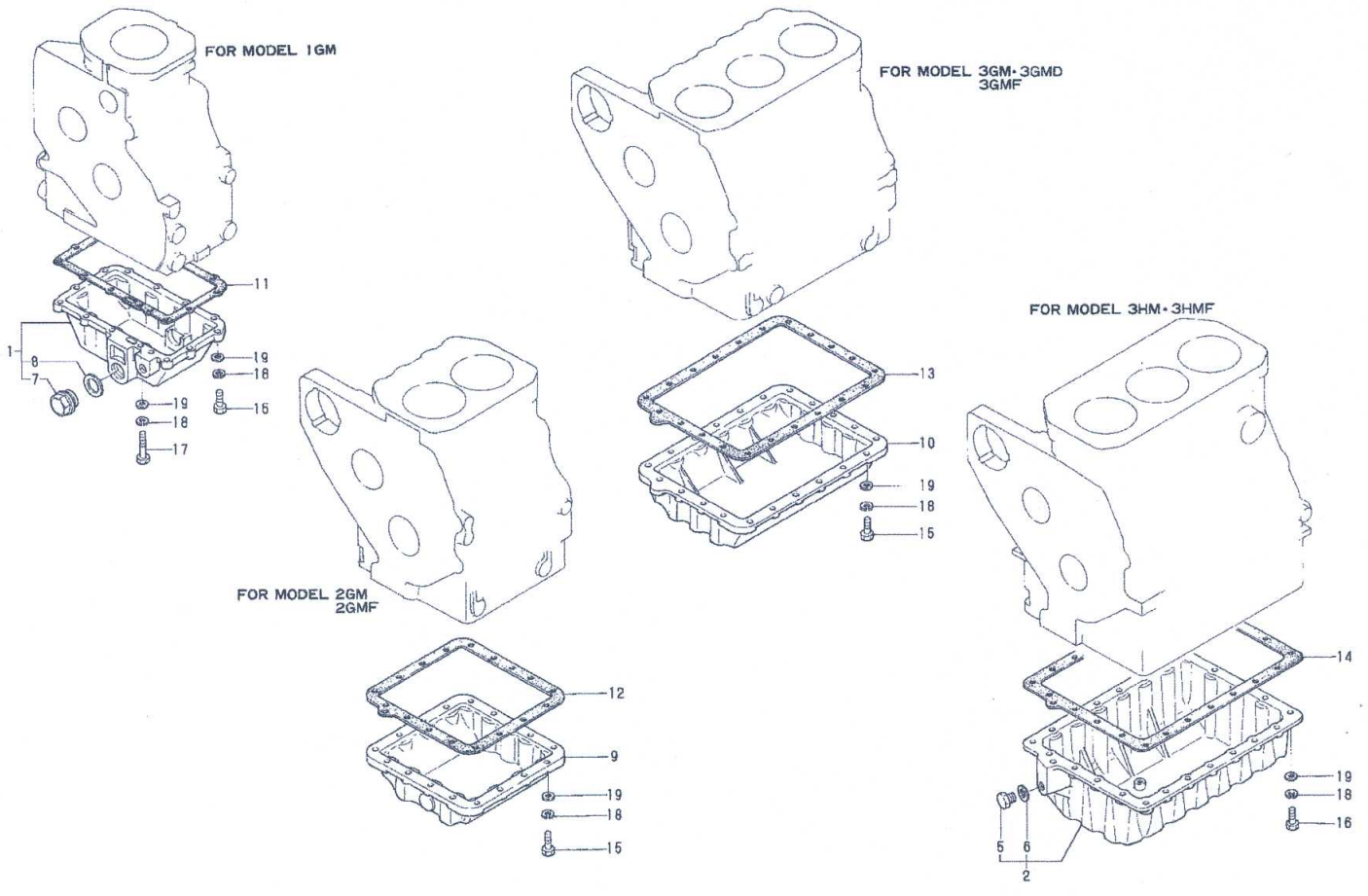


Fig.5.LUB.OIL SUMP

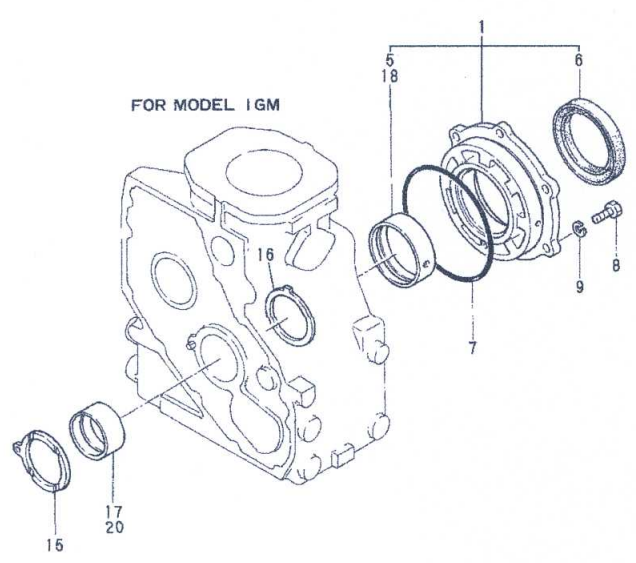
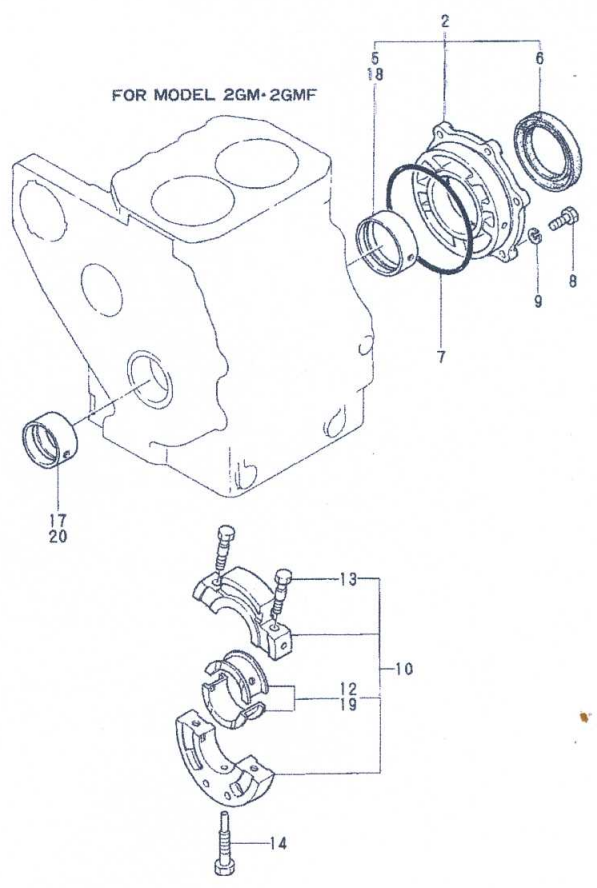


5.LUB.OIL SUMP

REF.	LEV.	PARTS NO.	DESCRIPTION	(A)	(B)	(C)	(D)	(E)	(F)	QTY	I	R
1	1	728170-01540	SUMP ASSY, LUB OIL	1								
2	1	721575-01540	SUMP ASSY, LUB OIL					1	1			
5	2	23893-020002	PLUG PF1/4					1	1			
5-1	2	23894-020002	PLUG G1/4,HEX.					1	1	R		
6	2	23414-130000	GASKET 13, ROUND					(E=EXX)	(F=EXX)	1		1
7	2	105430-01690	PLUG, DRAIN					1				
8	2	43400-500570	SEAL WASHER 24S					1				
9	1	128270-01720	PAN, LUB OIL					1				
10	1	128370-01720	PAN, LUB OIL					1	1			
11	1	128170-01750	GASKET, OIL SUMP					1				
12	1	124000-01750	GASKET, OIL SUMP					1				
13	1	121450-01751	GASKET, OIL SUMP					1	1			
14	1	121575-01750	GASKET, OIL SUMP					1	1			
15	1	26116-060202	BOLT M 6X 20					12	17	21	21	1
16	1	26116-060252	BOLT 6X25					1				23
17	1	26116-060352	BOLT M 6X 35 PLATED					1				23
18	1	22217-060000	SPRING WASHER 6					13	17	21	21	23
19	1	22137-060000	WASHER 6, POLISHED					13	17	21	21	23

(A)=1GM  
(B)=2GM(F)  
(C)=3GM(F)  
(D)=3GMD  
(E)=3HM  
(F)=3HMF

Fig.6.MAIN METAL HOUSING(1,2GM(F))



REF.	LEV.	PARTS NO.	DESCRIPTION	(A)	(B)	(C)	(D)	(E)	(F)	QTY	I	R
1	1	728170-02500	HOUSING ASSY,BEARING	1								
2	1	721450-02500	HOUSING ASSY METAL	1								
5	2	121450-02110	MAIN METAL	1	1							
6	2	124450-02220	SEAL, OIL	1	1							
6-1	2	124085-02220	SEAL, OIL	1	1							
		(A=EXXX)										
		(B=EXXX)										
7	1	105225-02020	O-RING	1	1							
8	1	26116-080202	BOLT M 8X 20 PLATED	1	6							
9	1	22217-080000	SPRING WASHER 8	1	6							
10	1	721450-02611	HOUSING ASSY	1								
12	2	121450-02160	MAIN METAL(1)	1	1							
13	2	121450-02071	BOLT	1	2							
14	1	105225-02300	BOLT	1	1							
15	1	128170-02090	BEARING THRUST	1	1							
16	1	104200-02110	BEARING THRUST	1	1							
17	1	121450-02100	MAIN METAL	1	1							
18	1	121450-02320	MAIN METAL 0.25US	1	1							
19	1	121450-02370	MAIN METAL 0.25US	1	1							
20	1	121450-02310	MAIN METAL 0.25US	1	1							

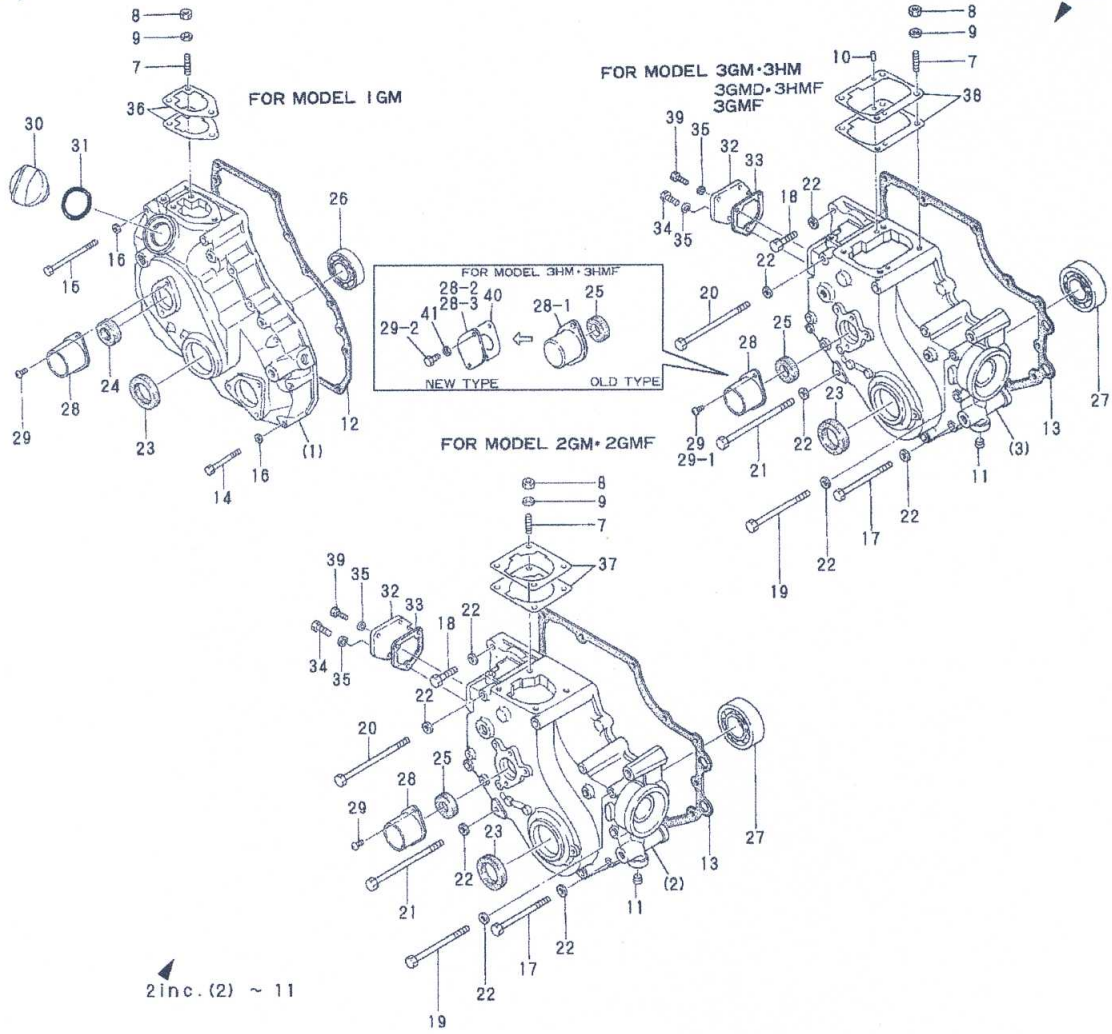
6.MAIN METAL HOUSING(1,2GM(F))

(A)=1GM  
(B)=2GM(F)  
(C)=3GM(F)  
(D)=3GMD  
(E)=3HM  
(F)=3HMF

(A)=1GM  
 (B)=2GM(F)  
 (C)=3GM(F)  
 (D)=3GMD  
 (E)=3HM  
 (F)=3HMF

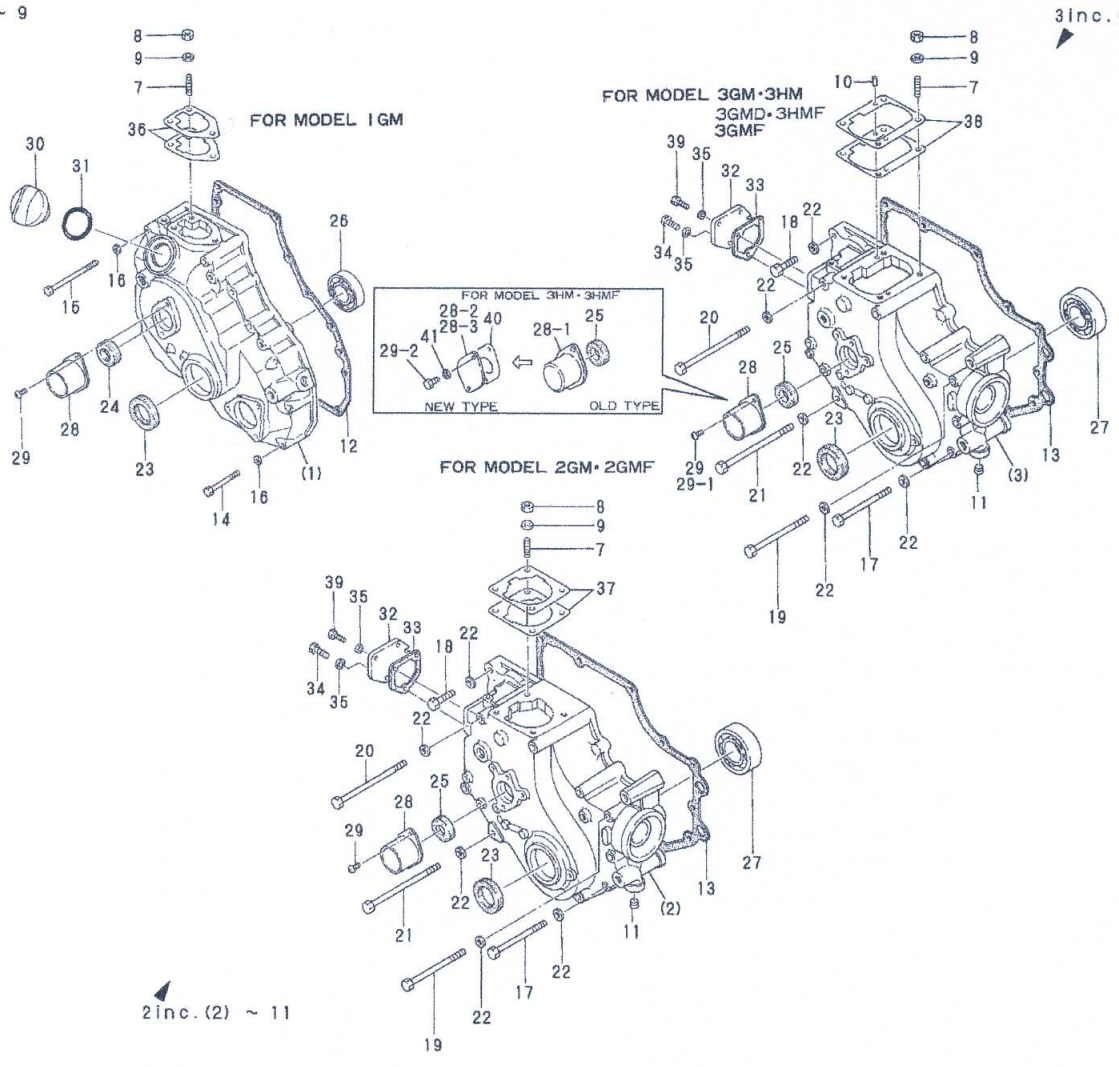
1Inc. (1) ~ 9

3Inc. (3) ~ 11



2Inc. (2) ~ 11

REF.	LEV.	PARTS NO.	DESCRIPTION	(A)	(B)	(C)	(D)	(E)	(F)	QTY	I	R
35	1	22217-060000 (B=EXXX)	SPRING WASHER 6 (C=EXXX)									
36	1	104271-01950	SHIM SET		3	3	3	3				
37	1	124950-01951	SHIM SET	1								
38	1	121450-01951	SHIM SET		1	1	1	1				
39	1	26116-060162	BOLT 6X16		2	2	2	2				
40	1	128695-01840 (B=EXXX)	PACKING (C=EXXX)									
41	1	22137-060000	WASHER 6, POLISHED									



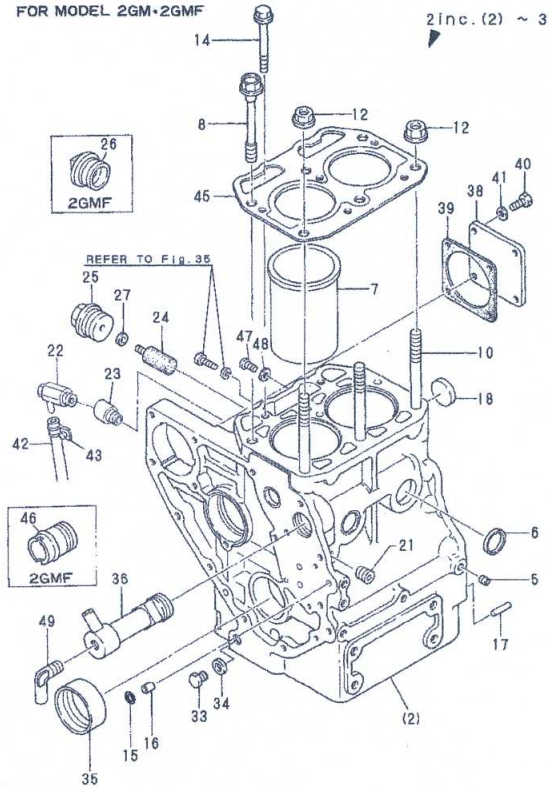
REF.	LEV.	PARTS NO.	DESCRIPTION	(A)	(B)	(C)	(D)	(E)	(F)	QTY	UNIT
1	1	728170-01610	HOUSING ASSY, GEARS	1							R
2	1	728270-01610	HOUSING ASSY, GEARS	1							R
3	1	728370-01610	HOUSING ASSY, GEARS	1							R
7	2	26216-080222	STUD M 8X 22 PLATED	3	4	4	4	4	4		R
7-1	2	121450-01560	STUD M 8X 22	4	4	4	4	4	4		R
		(B=EXXX)	(C=EXXX)	(D=EXXX)	(E=EXXX)	(F=EXXX)					
8	2	26716-080002	NUT M 8	3	4	4	4	4	4		R
9	2	43400-500410	SEAL WASHER 8S	3	4	4	4	4	4		S
9-1	2	23414-080000	GASKET 8, ROUND	3	4	4	4	4	4		S
		(A=EXXX)	(B=EXXX)	(C=EXXX)	(D=EXXX)	(E=EXXX)	(F=EXXX)				
9-2	2	22212-080000	SPRING WASHER 8	4	4	4	4	4	4		R
		(B=EXXX)	(C=EXXX)	(D=EXXX)	(E=EXXX)	(F=EXXX)					
10	2	22315-040010	SPRING PIN 4X 10	2	2	2	2	2	2		R
11	1	124060-01050	PLUG PT1/8	1	1	1	1	1	1		R
12	1	128170-01510	GASKET, GEAR CASE	1							R
13	1	121575-01510	GASKET, GEAR HOUSING	1							R
14	1	26116-060502	BOLT M 6X 50 PLATED	7	1	1	1	1	1		R
15	1	26116-060802	BOLT M 6X 80 PLATED	5							R
16	1	22117-060000	WASHER 6	12							R
17	1	26116-080852	BOLT M 8X 85 PLATED	5	5	5	5	5	5		R
18	1	26116-080302	BOLT 8X30	2	2	2	2	2	2		R
19	1	26116-080952	BOLT M 8X 95 PLATED	2	2	2	2	2	2		R
20	1	26116-081152	BOLT M 8X115 PLATED	1	1	1	1	1	1		R
21	1	26116-081202	BOLT M 8X120 PLATED	2	2	2	2	2	2		R
22	1	22137-080000	WASHER 8, POLISHED	12	12	12	12	12	12		R
23	1	121450-01800	SEAL, OIL	1	1	1	1	1	1		R
23-1	1	121450-01801	SEAL TC25 40 8, OIL	1	1	1	1	1	1		R
		(A=EXXX)	(B=EXXX)	(C=EXXX)	(D=EXXX)	(E=EXXX)	(F=EXXX)				
24	1	145410-46960	OIL SEAL	1							R
25	1	128270-01820	SEAL SC16 28 6, OIL	1	1	1	1	1	1		R
25-1	1	128270-01820	SEAL SC16 28 6, OIL	1	1	1	1	1	1		R
26	1	24101-060054	BALL BEARING	1							R
27	1	24101-063054	BEARING #6305	1	1	1	1	1	1		R
27-1	1	24101-063050	BALL BEARING	1	1	1	1	1	1		R
		(B=EXXX)	(C=EXXX)	(D=EXXX)	(E=EXXX)	(F=EXXX)					
28	1	128170-01830	BRACKET (B), REAR	1	1	1	1	1	1		R
28-1	1	128670-01830	COVER, BLIND	1							R
28-2	1	121023-01550	COVER, BLIND	1							R
28-3	1	171016-01550	LEVER	1							R
29	1	26557-060102	SCREW 6X10	2	2	2	2	2	2		S
29-1	1	28116-060162	BOLT 6X16	2	2	2	2	2	2		S
29-2	1	26116-060122	BOLT 6X12	2	2	2	2	2	2		S
30	1	124160-01751	COVER,FILLER	1							S
31	1	24321-000350	O-RING 1A G-35.0	1							S
32	1	121000-01850	COVER, CYL BLOCK	1	1	1	1	1	1		R
33	1	121575-01860	GASKET, COVER	1	1	1	1	1	1		R
34	1	26116-060142	BOLT M 6X 14	3	3	3	3	3	3		R
34-1	1	26116-060142	BOLT M 6X 14	1	1	1	1	1	1		R

++ CONTINUE ++

(A)=1GM  
(B)=2GM(F)  
(C)=3GM(F)  
(D)=3GM(D)  
(E)=3HM  
(F)=3HMF

FOR MODEL 2GM+2GMF

2 Inc. (2) ~ 35

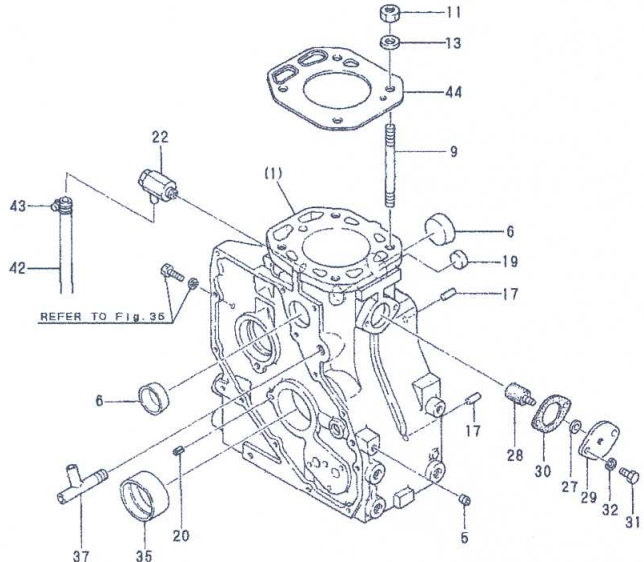


Remarks:  
REFER No.2  
For cylinder block assembly of 2GMF, that of 2GM is to be supplied.  
Differences found in the constituent parts of assembly are as follow:

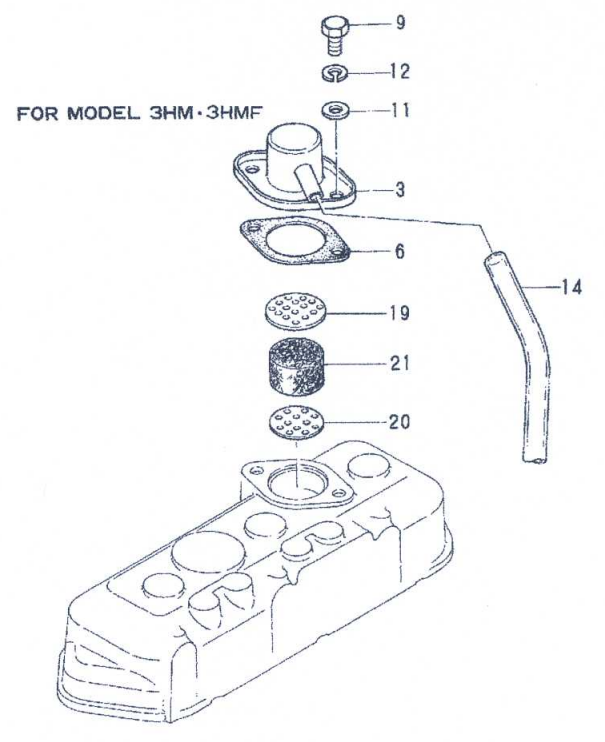
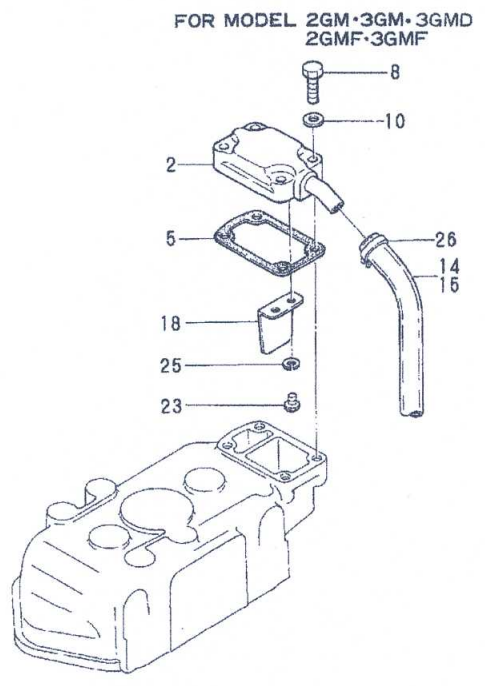
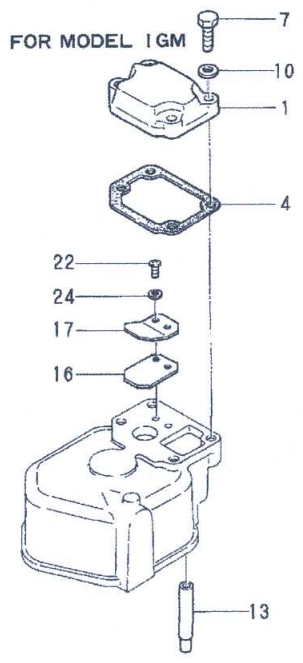
Reference No.	Parts unnecessary for 2GMF	Parts necessary for 2GM but not included
	24, 25, 27, 35, 38	26, 46

FOR MODEL 1GM

1 Inc. (1) ~ 35

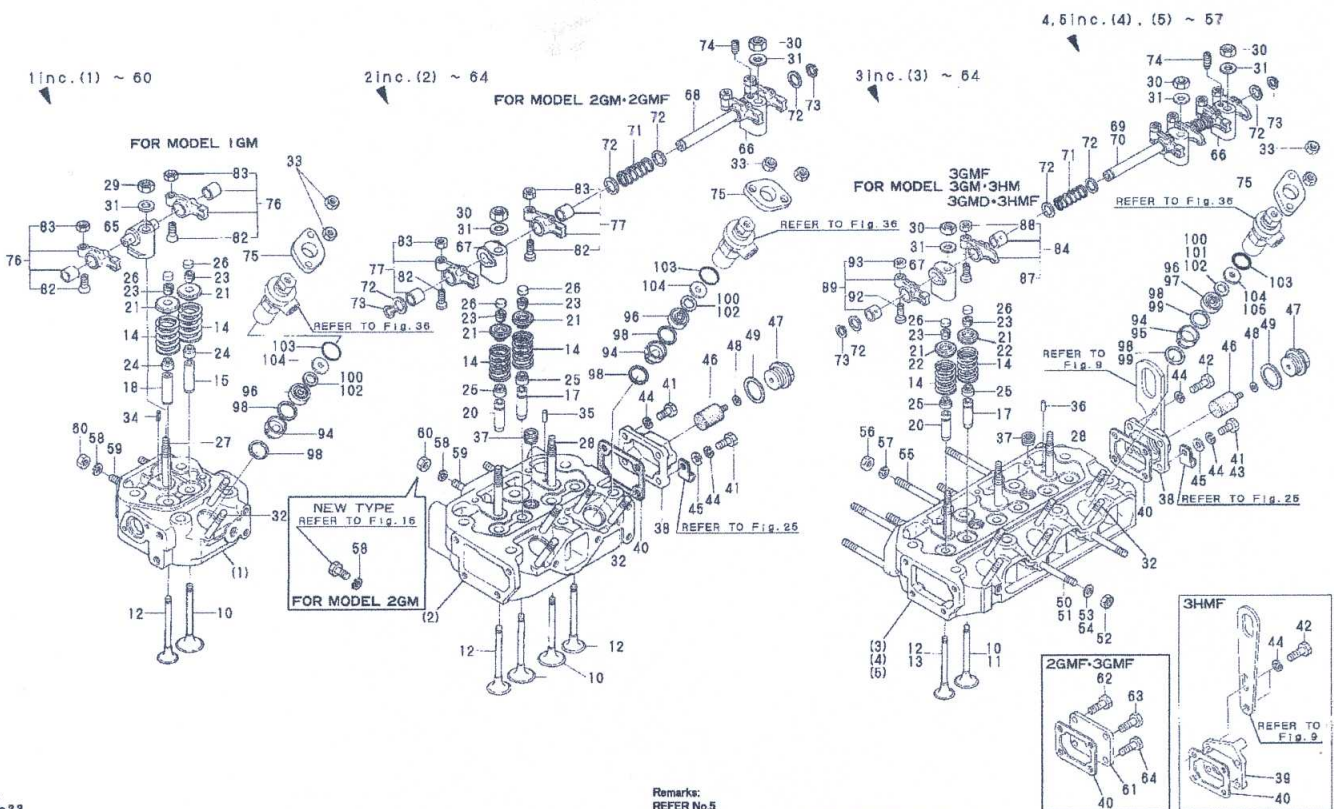


REF.	LEV.	PARTS NO.	DESCRIPTION	(A)	(B)	(C)	(D)	(E)	(F)	QTY	R
1	1	728170-01560	BLOCK ASSY, CYLINDER	1							
2	1	728270-01560	BLOCK ASSY, CYLINDER	1							
5	2	124060-01050	PLUG PT/1/8	1	6						
6	2	105311-01090	PLUG 30 (SUS)	2	4						
7	2	121450-01100	LINER, CYLINDER	2	2						
8	2	121450-01203	LINER, CYLINDER	2	3						
9	2	128170-01200	STUD, CYL. HEAD	4	3						
10	2	121450-01210	STUD, CYL. HEAD	4	3						
11	2	105025-01220	NUT 10	4	3						
12	2	121450-01220	NUT, CYL. HEAD	4	3						
13	2	105425-01250	WASHER	4	3						
14	2	121450-01231	BOLT, CYL. HEAD	4	2						
15	2	24311-000100	O-RING 1A P-10.0	2	2						
16	2	105225-01900	GUIDE O-RING	2	2						
17	2	22312-080160	PARALLEL PIN 8X 16	2	2						
18	2	121450-01990	PLUG 30	1	1						
19	2	27243-200000	PLUG 20	1	1						
20	2	22361-040008	SPRING PIN 4X 8	1	1						
21	2	23873-020000	PLUG PT 1/4	1	1						
22	2	43600-500290	COCK 1/4	1	1						
23	2	128270-01890	SPACER PT1/4	1	1						
24	2	27210-200300	ZINC, ANTI-CORROSI	2	2						W
25	2	128270-09300	PLUG NPTF 1"	1	1						
26	2	121750-01920	PLUG	1	1						
27	2	123210-09310	PACKING	1	2						
28	2	27210-200200	ZINC, ANTI-CORROSI	1	1						
29	2	128170-09320	FLANGE ZINC	1	1						
30	2	104211-49160	PACKING	1	1						
31	2	26116-060142	BOLT M6X 14	2	2						
32	2	22217-060000	SPRING WASHER 6	2	2						
33	2	121450-01960	PLUG PF 1/4	1	1						
34	2	121450-01980	GASKET	1	1						
35	2	121450-02100	MAIN METAL	1	1						
36	1	128270-01450	CONNECTOR, BY-PATH	1	1						
37	1	105682-49090	3-WAY JOINT	1	1						
38	1	124240-01871	COVER, HO-P	1	1						
39	1	124240-01882	GASKET, HYD.OIL PUMP	1	1						
40	1	26116-080142	BOLT 8X14	4	4						
41	1	23414-080000	GASKET 8, ROUND	4	4						
42	1	23061-070200	PIPE 7X 200	1	1						
43	1	124460-77680	RETAINER	1	1						
44	1	128170-01330	GASKET, CYL. HEAD	1	1						
44-1	1	128170-01331	GASKET, CYL. HEAD	1	1						
45	1	128270-01330	GASKET, CYL. HEAD	1	1						N
45-1	1	128270-01331	GASKET, CYL. HEAD	1	1						N
46	1	124160-49480	JOINT PIPE	1	1						
47	1	124060-32990	PLUG	1	1						
48	1	23414-080000	GASKET 8, ROUND	1	1						
49	1	105583-49910	ELBOW (PT1/4)	1	1						



REF.	LEV.	PARTS NO.	DESCRIPTION	(A)	(B)	(C)	(D)	(E)	(F)	QTY	I	R
1	1	128170-03020	COVER, BREATHER	1								
2	1	121000-03020	COVER, BREATHER		1							
3	1	128670-03010	BODE, BREATHER			1						
4	1	128170-03070	GASKET				1					
5	1	121000-03070	GASKET					1				
6	1	121450-03071	GASKET						1			
7	1	26116-060202	BOLT M 6X 20						4			
8	1	26116-060252	BOLT 6X25						4			
9	1	26116-080142	BOLT 8X14						4			
10	1	22117-060000	WASHER 6						4			
11	1	22137-080000	WASHER 8, POLISHED						4			
12	1	22217-080000	SPRING WASHER 8						2			
13	1	128170-03200	PIPE, BREATHER						1			
14	1	124000-03200	PIPE, BREATHER						1			
15	1	121000-03200	PIPE, BREATHER						1			
16	1	101158-03061	VALVE, CHECK						1			
17	1	101158-03111	RETAINER						1			
18	1	121000-03080	PLATE, SHELTER						1			
19	1	128670-03020	PLATE (A), SHELTER						1			
20	1	128670-03030	PLATE, BAFFLE						1			
21	1	128670-03040	STEEL WOOL D34T19						1			
22	1	26557-040082	SCREW M 4X 8						2			
23	1	26557-050102	SCREW M 5X 10						2			
24	1	22217-040000	SPRING WASHER 4						2			
25	1	22217-050000	SPRING WASHER 5						2			
26	1	23080-013000	CLAMP 13, HOSE						2			

(A)=1GM  
(B)=2GM(F)  
(C)=3GM(F)  
(D)=3GMD  
(E)=3HM  
(F)=3HMF



Remarks:  
REFER No.2.3  
For cylinder head assembly of 2GMF & 3GMF, that of 2GM & 3GM is to be supplied.  
Differences found in the constituent parts of assembly are as follow:

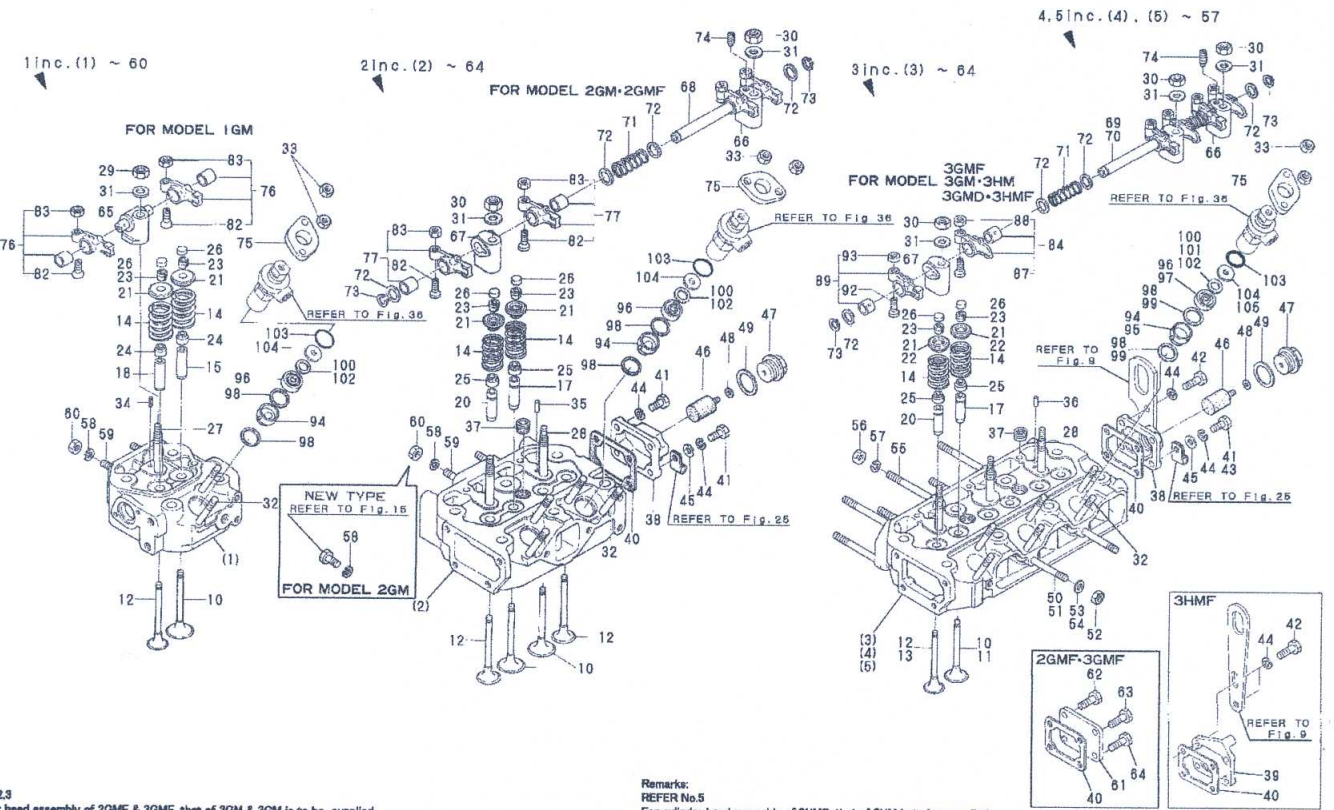
Reference No.	Parts unnecessary for 2GMF & 3GMF	Parts necessary for 2GM & 3GM but not included
	38, 46, 47, 48, 49	61

Remarks:  
REFER No.5  
For cylinder head assembly of 3HMF, that of 3HM is to be supplied.  
Differences found in the constituent parts of assembly are as follow:

Reference No.	Parts unnecessary for 3HMF	Parts necessary for 3HMF but not included
	38, 46, 47, 48, 49	39

REF.	LEV.	PARTS NO.	DESCRIPTION	QTY	(A)	(B)	(C)	(D)	(E)	(F)	1	R
102	1	128275-11490	INSULATOR									
		(A=*1980.11)			1	2	3	3	3	3		
		(B=*1980.11)										
103	1	24341-000280	O-RING 1A S-26.0									
		(C=*1980.11)			1	2	3	3				
104	1	128275-11500	COVER									
		(A=*1980.11)			1	2	3	3				
		(B=*1980.11)										
105	1	128695-11500	COVER									
		(C=*1980.11)										
		(D=*1980.11)										
		(E=*1980.11)										
		(F=*1980.11)										
											3	3
											W	

(A)=1GM  
(B)=2GM(F)  
(C)=3GM(F)  
(D)=3GM(D)  
(E)=3HM  
(F)=3HMF



Remarks:  
REFER No.23

For cylinder head assembly of 2GMF & 3GMF, that of 2GM & 3GM is to be supplied.  
Differences found in the constituent parts of assembly are as follow:

Reference No.	Parts unnecessary for 2GMF & 3GMF	Parts necessary for 2GM & 3GM but not included
	38, 46, 47, 48, 49	61

Remarks:  
REFER No.5

For cylinder head assembly of 3HMF, that of 3HM is to be supplied.  
Differences found in the constituent parts of assembly are as follow:

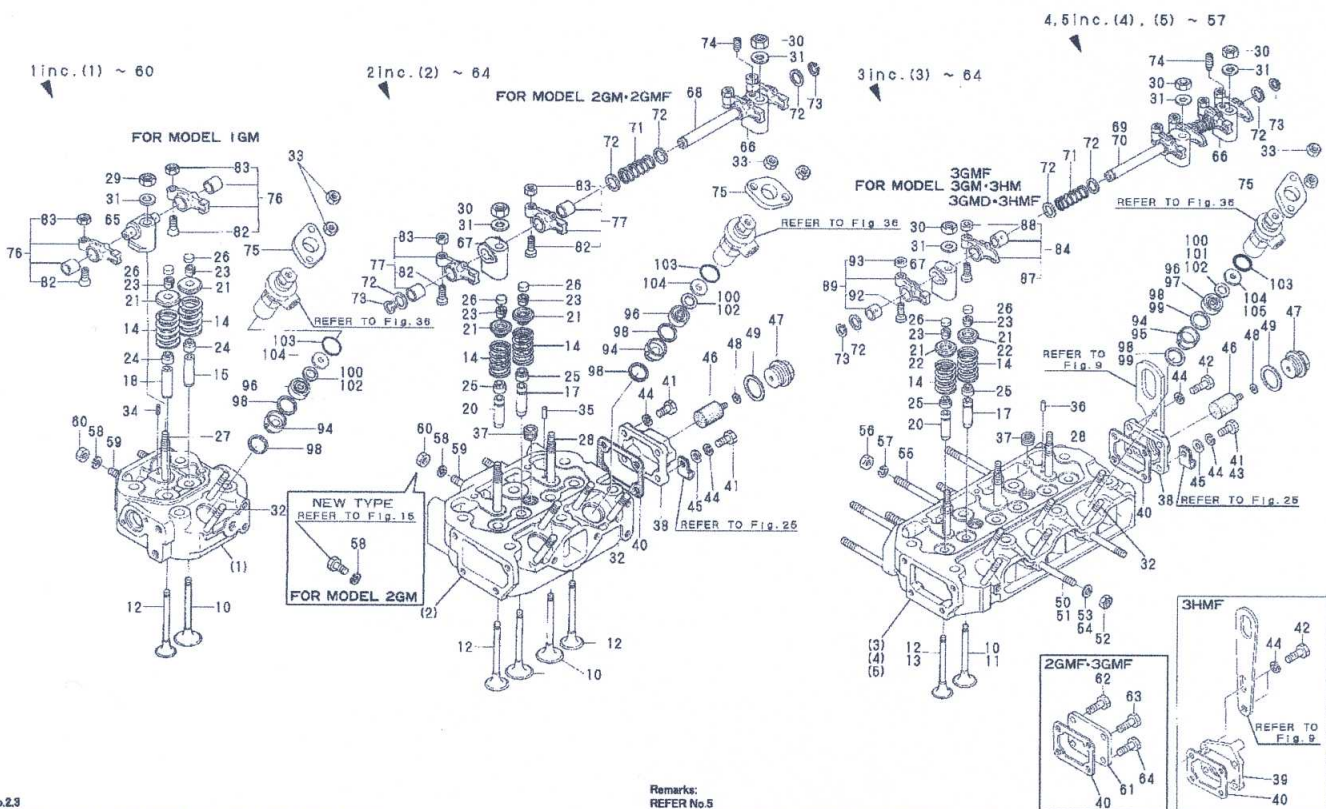
Reference No.	Parts unnecessary for 3HMF	Parts necessary for 3HMF but not included
	38, 46, 47, 48, 49	39

REF.	LEV.	PARTS NO.	DESCRIPTION	(A)	(B)	(C)	(D)	(E)	(F)	QTY	I	R
1	1	728170-11700	HEAD ASSY, CYLINDER	1								
2	1	728270-11700	HEAD ASSY, CYLINDER		1							
3	1	728370-11700	HEAD ASSY, CYLINDER			1						
4	1	721575-11701	HEAD ASSY, CYLINDER				1					
5	1	721575-11701	HEAD ASSY, CYLINDER					1				
10	2	105225-11100	VALVE, SUCTION		2	3	3					
11	2	104211-11100	VALVE, SUCTION		2	3	3					
12	2	105225-11110	VALVE, EXHAUST		2	3	3					
13	2	104211-11110	VALVE, EXHAUST		2	3	3					
14	2	121575-11121	SPRING, VALVE		2	4	6	6	6			
15	2	105430-11160	GUIDE, VALVE		2	3	3					
17	2	124060-11800	GUIDE, VALVE		2	3	3					
18	2	105430-11160	GUIDE, VALVE		1	1	1					
18-1	2	128170-11160	GUIDE, VALVE		1							
		(A=E-XXX)										
20	2	124060-11810	GUIDE, VALVE		2	3	3					
21	2	104200-11180	RETAINER, SPRING		2	4	6					
22	2	104211-11180	RETAINER, SPRING		2	4	6					
23	2	27310-07000	COTTER 7		2	4	6	6	6			
23-1	2	27310-07001	COTTER ASSY		2	4	6	6	6			
		(A=E-XXX)										
		(B=E-XXX)										
		(C=E-XXX)										
		(D=E-XXX)										
24	2	128170-11340	SEAL, VALVE STEM		2	4	6	6	6			
25	2	124950-11340	SEAL, VALVE STEM		2	4	6	6	6			
26	2	104211-11370	CAP, VALVE		2	4	6	6	6			
27	2	128170-11350	STUD, SUPPORT		2	4	6	6	6			
28	2	105225-11350	STUD, SUPPORT		2	3	3	3	3			
29	2	26736-100002	NUT M10		2	3	3	3	3			
30	2	26776-100002	LOCK NUT M10 PLATED		2	3	3	3	3			
31	2	22137-100000	WASHER 10, POLISHED		1	2	3	3	3			
32	2	26216-080622	STUD M 8X 62 PLATED		2	4	6	6	6			
32-1	2	26216-080652	STUD M 8X 65 PLATED		2	4	6	6	6			
		(B=E-XXX)										
		(C=E-XXX)										
32-2	2	26216-080702	STUD M 8X 70 PLATED					6				
		(E=E-XXX)										
33	2	26716-080002	NUT M 8		2	4	6	6	6			
34	2	22351-040008	SPRING PIN 4X 8		1	1	1					
34-1	2	22351-040010	SPRING PIN 4X10		1							
		(A=E-XXX)										
35	2	121000-11050	PIN 4.5X10		1	1	1					
36	2	121000-11050	PIN 4.5X10		1	1	1					
		(E=#00019)										
		(F=#1980.07)										
37	2	23873-030000	PLUG PT 3/8		1	2	2					
38	2	121575-11670	COVER		1	1	1					
39	2	128695-11670	COVER		1	1	1					
40	2	121450-11680	GASKET COVER		1	1	1					
41	2	26116-080202	BOLT M 8X 20 PLATED		4	2	2					
42	2	26116-080252	BOLT M 8X 25 PLATED		2	2	2					
43	2	26116-080222	BOLT M 8X 22 PLATED		2	2	2					
44	2	22217-080000	SPRING WASHER 8		4	4	4					
45	2	22117-080000	WASHER 8		1	1	1					
45-1	2	22137-080000	WASHER 8, POLISHED		1	1	1					
46	2	27210-200300	ZINC, ANTI-CORROSIVE									
47	2	124220-09320	PLUG		1	1	1					
		(E=E-XXX)										

++ CONTINUE ++



Fig. 11. CYLINDER HEAD



Remarks:  
REFER No.23  
For cylinder head assembly of 2GMF & 3GMF, that of 2GM & 3GM is to be supplied.  
Differences found in the constituent parts of assembly are as follow:

Reference No.	Parts unnecessary for 2GMF & 3GMF	Parts necessary for 2GM & 3GM but not included
	38, 46, 47, 48, 49	61

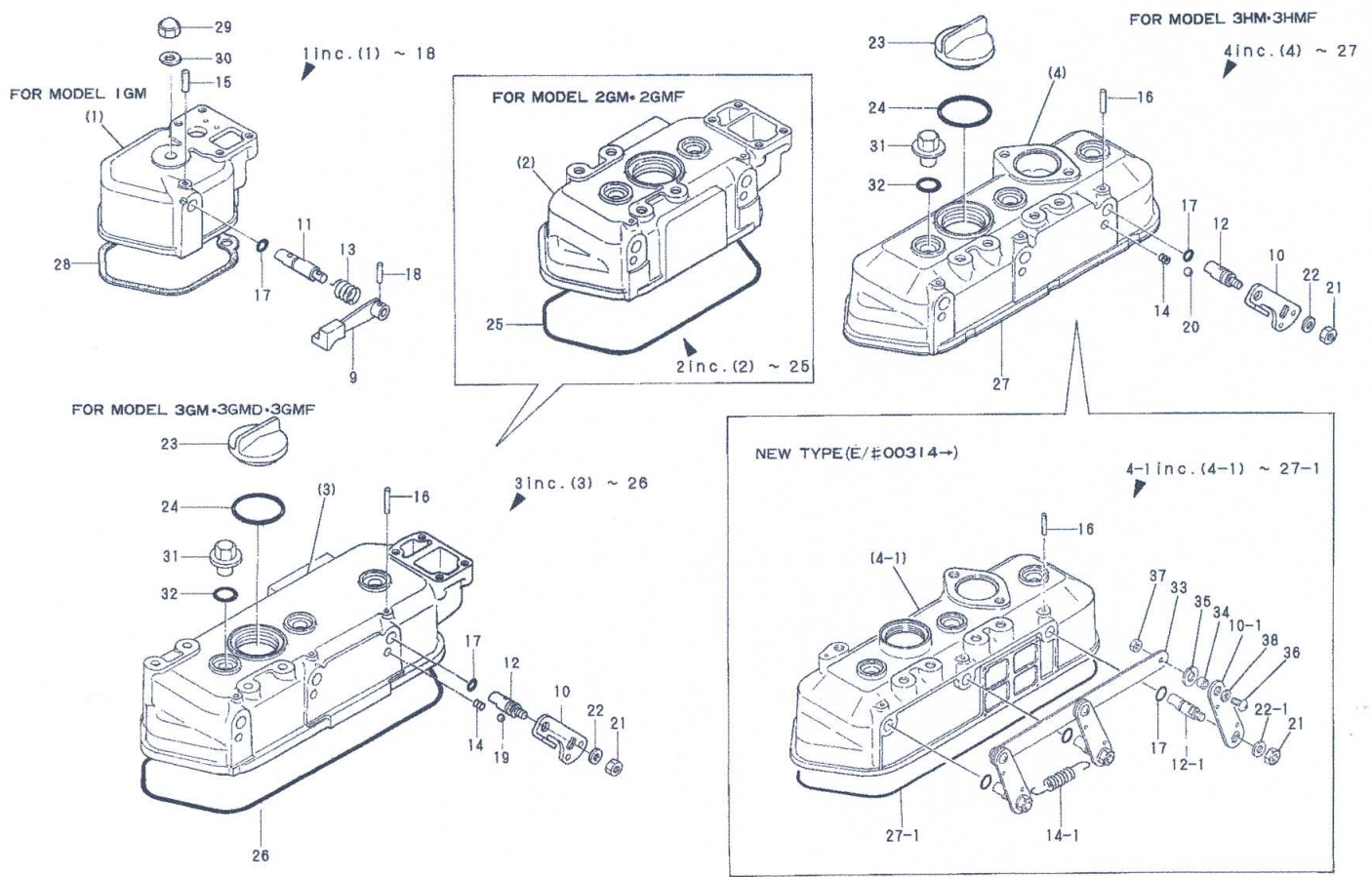
Remarks:  
REFER No.5  
For cylinder head assembly of 3HMF, that of 3HM is to be supplied.  
Differences found in the constituent parts of assembly are as follow:

Reference No.	Parts unnecessary for 3HMF	Parts necessary for 3HMF but not included
	38, 46, 47, 48, 49	39

REF.	LEV.	PARTS NO.	DESCRIPTION	(A)	(B)	(C)	(D)	(E)	(F)	QTY	1	R
47-1	2	122780-09320 (B=*1980 07)	PLUG		1	1	1	1				
48	2	123210-09310	PACKING		1	1	1	1				
49	2	23414-250000	GASKET 25,ROUND		1	1	1	1				
50	2	26216-080552	STUD M 8 X 55 PLATED		1	1	1	1				
51	2	121250-11550	BOLT, INT MANIFOLD		2	2	2	2				
52	2	26716-080002	NUT M 8		2	2	2	2				
53	2	22137-080000	WASHER 8, POLISHED		2	2	2	2				
54	2	22117-080000	WASHER 8		2	2	2	2				
55	2	26213-080802	STUD M 8 X 80		2	2	2	2				
56	2	26713-080002	NUT M 8		2	2	2	2				
57	2	22217-080000	SPRING WASHER 8		2	2	2	2				
58	2	22217-080000	SPRING WASHER 8		2	2	2	2				
59	2	26213-080182	STUD M 8 X 18		3	3	3	3				
60	2	26713-080002	NUT M 8		3	3	3	3				
61	2	121450-11670	COVER		1	1	1	1				
62	2	26116-080282	BOLT M 8 X 28 PLATED		2	2	2	2				
63	2	26116-080122	BOLT M 8 X 12 PLATED		1	1	1	1				
64	2	121250-01710	BOLT M 8 X 14		1	1	1	1				
65	1	121450-11260	SUPPORT, ROCKER ARM		1	1	1	1				
66	1	121450-11270	SUPPORT, ROCKER ARM		1	1	1	1				
67	1	124000-11240	SUPPORT, ROCKER ARM		1	1	1	1				
68	1	121450-11240	SHAFT, ROCKER ARM		1	1	1	1				
69	1	121450-11240	SHAFT, ROCKER ARM		1	1	1	1				
70	1	121550-11240	SHAFT, ROCKER ARM		1	1	1	1				
71	1	121550-11280	SPRING		1	1	1	1				
72	1	121550-11290	WASHER		1	1	1	1				
73	1	22242-000140	CIRCLIP 14		1	1	1	1				
74	1	26921-080102	SET SCREW M 8 X 10		2	2	2	2				
75	1	101147-11900	FLANGE		1	1	1	1				
76	1	728170-11650	ARM ASSY, ROCKER		2	2	2	2				
77	1	724085-11650	ARM ASSY, ROCKER		4	4	4	4				
82	2	101158-11230	SCREW, VALVE		2	2	2	2				
83	2	26756-080002	LOCK NUT M 8 PLATED		4	4	4	4				
84	1	721450-11650	ARM ASSY, ROCKER		3	3	3	3				
87	2	101158-11230	SCREW, VALVE		3	3	3	3				
88	2	26756-080002	LOCK NUT M 8 PLATED		3	3	3	3				
89	2	721450-11660	ARM ASSY, ROCKER		3	3	3	3				
92	2	101158-11230	SCREW, VALVE		3	3	3	3				
93	2	26756-080002	LOCK NUT M 8 PLATED		3	3	3	3				
94	1	121000-11420	CHAMBER, FRONT		1	1	1	1				
95	1	121575-11421	CHAMBER, FRONT		2	2	2	2				
96	1	124950-11410	CHAMBER, REAR		1	1	1	1				
96-1	1	128275-11410	CHAMBER, REAR		2	2	2	2				
97	1	121550-11411	CHAMBER, REAR		3	3	3	3				
97-1	1	128695-11410	CHAMBER, REAR		3	3	3	3				
98	1	124950-11450	GASKET, CHAMBER		2	4	6	6				
99	1	121550-11451	GASKET, CHAMBER		2	4	6	6				
100	1	101147-11490	INSULATOR		1	2	3	3				
101	1	103854-11490	INSULATOR		3	3	3	3				

++ CONTINUE ++

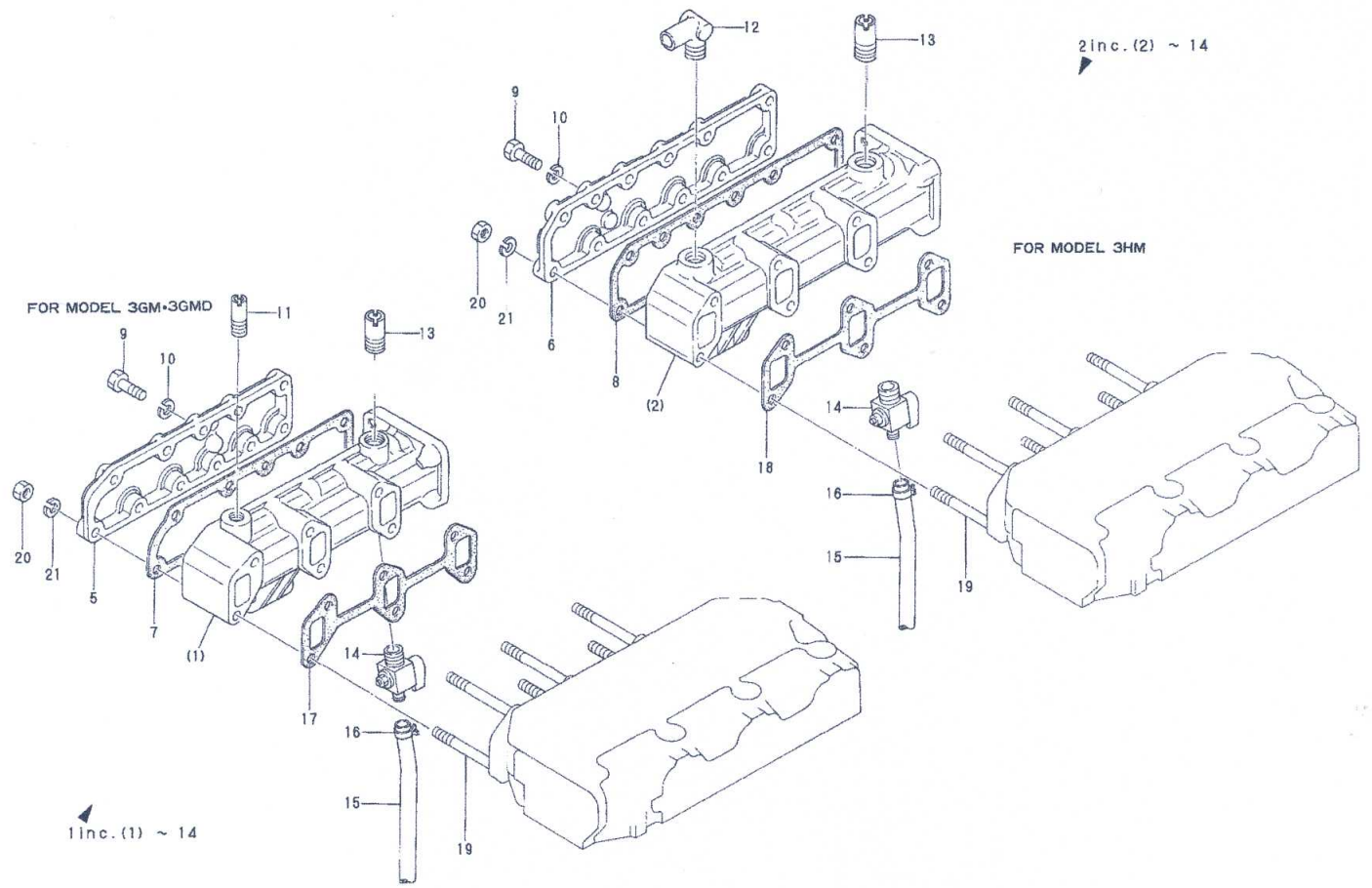
(A)=1GM  
(B)=2GM(F)  
(C)=3GM(F)  
(D)=3GMD  
(E)=3HM  
(F)=3HMF



REF.	LEV.	PARTS NO.	DESCRIPTION	(A)	(B)	(C)	(D)	(E)	(F)	QTY	I	R
1	1	128170-11860	BONNET, CYL. HEAD	1								
2	1	728270-11520	BONNET ASSY, HEAD	1								
3	1	728370-11520	BONNET ASSY, HEAD	1								
4	1	728670-11520	BONNET ASSY, HEAD	1								
4-1	1	728670-11521	BONNET ASSY, HEAD									
9	2	104104-03750	LEVER, DECOMPRESSION									
10	2	128270-03750	LEVER, DECOMPRESSION	1								
10-1	2	121462-03740	LEVER, DECOMPRESSION									
11	2	104200-03600	SHAFT, DECOMPRESSION									
12	2	128270-03610	SHAFT, DECOMPRESSION	1								
12-1	2	121450-03610	SHAFT, DECOMPRESSION									
13	2	104200-03641	SPRING, DECOMPRESSION									
14	2	128270-03640	SPRING, DECOMPRESSION	1								
14-1	2	160110-66011	SPRING, REGULATOR									
15	2	22312-030180	PARALLEL PIN 3X18									
16	2	22312-030220	PARALLEL PIN 3X22	1								
17	2	24311-000070	O-RING 1A P-7.0	2								
18	2	22322-030160	TAPER PIN 3X16	1								
19	2	24190-080001	BALL 1/4, STEEL	2								
20	2	24190-080001	BALL 1/4, STEEL	2								
21	2	26716-060002	NUT 6									
22	2	22117-060000	WASHER 6	2								
22-1	2	22137-060000	WASHER 6, POLISHED	2								
23	2	124160-01751	COVER, FILLER									
24	2	24321-000350	O-RING 1A G-35.0	1								
25	2	128270-11310	GASKET, BONNET	1								
26	2	121450-11310	GASKET, BONNET	1								
27	2	128670-11310	GASKET, BONNET	1								
27-1	2	121550-11310	GASKET, BONNET	1								
28	1	128170-11310	GASKET, BONNET									
29	1	26656-080002	DOMED CAP NUT (M6)	1								
30	1	43400-500410	SEAL WASHER 8S	1								
31	1	124160-11360	KNOB	2								
32	1	24311-000120	O-RING 1A P 12.0	2								
33	1	121550-03760	CONNECTOR	3								
34	1	121575-03770	COLLAR	1								
35	1	22287-080000	LOCKING WASHER									
36	1	26557-050122	SCREW M 5X 12									
37	1	26756-050002	LOCK NUT M 5 PLATED									
38	1	22117-050000	WASHER 5									

(A)=1GM  
 (B)=2GM(F)  
 (C)=3GM(F)  
 (D)=3GMD  
 (E)=3HM  
 (F)=3HMF

Fig. 14. EXHAUST MANIFOLD



Y00R0902 14. EXHAUST MANIFOLD

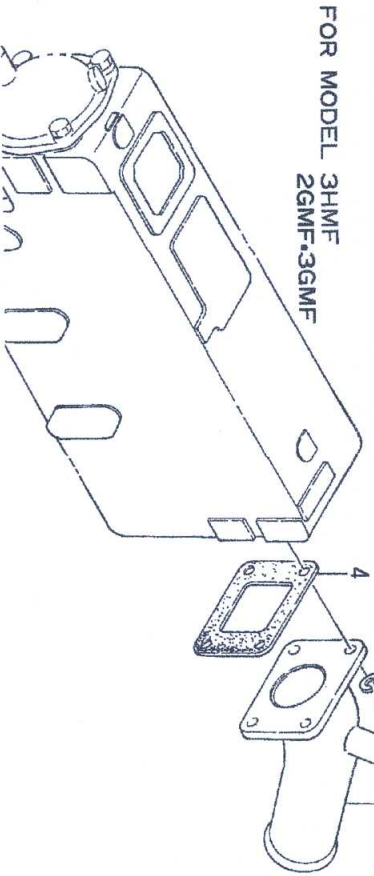
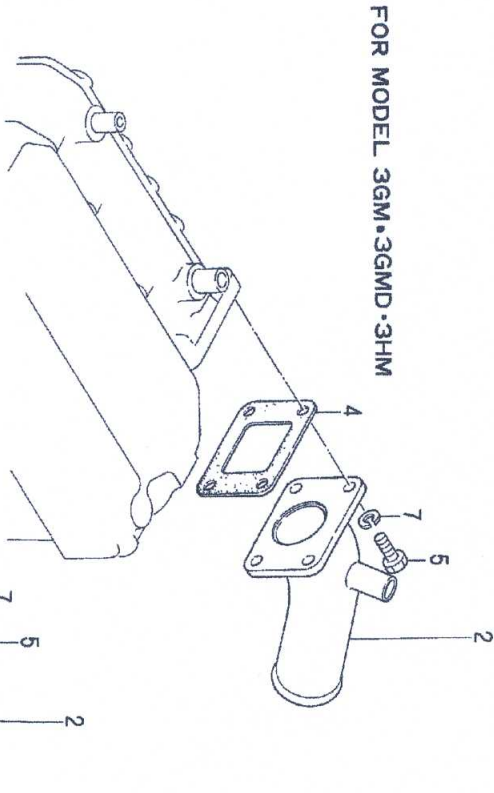
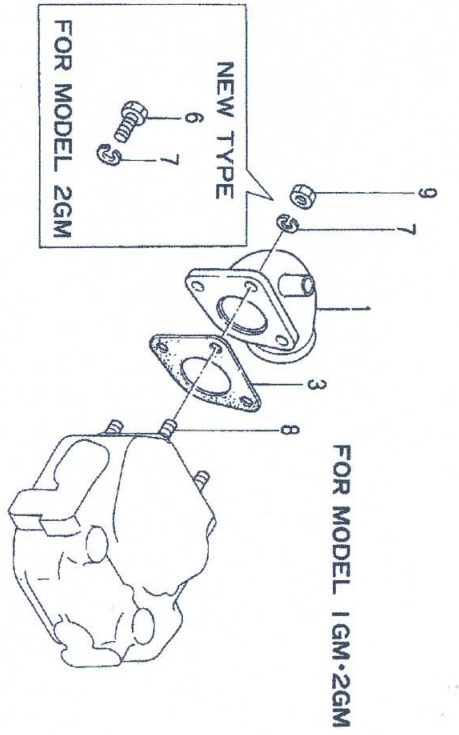
REF.	LEV.	PARTS NO.	DESCRIPTION	(A)	(B)	(C)	(D)	(E)	(F)	QTY	I	R
1	1	728370-13500	MANIFOLD ASSY, EXH.							1		
2	2	728670-13500	MANIFOLD ASSY, EXH.							1		
5	2	128370-13160	COVER, MANIFOLD							1		
6	2	128670-13160	COVER, MANIFOLD							1		
7	2	128370-13180	GASKET							1		
8	2	128670-13180	GASKET							1		
9	2	26116-080252	BOLT M 8X 25 PLATED							5	5	6
10	2	22217-080000	SPRING WASHER 8							5	5	6
			(C=E)XXX									
			(D=E)XXX									
			(E=E)XXX									
11	2	104211-49060	JOINT PT 1/4 PIPE							1	1	1
12	2	124070-13300	ELBOW (PT3/8)							1	1	1
13	2	124223-49300	JOINT PIPE							1	1	1
14	2	104200-11920	COCK							1	1	1
15	1	23061-100500	PIPE 10X 500							1	1	1
15-1	1	23061-100300	PIPE 10X 300							1	1	1
			(C=E)XXX									
16	1	124223-49750	BAND							1	1	1
17	1	121450-13250	GASKET, EXH MANIFOLD							1	1	1
18	1	121550-13520	GASKET, EXH MANIFOLD							6	6	6
19	1	26213-080802	STUD M 8X 80							6	6	6
20	1	26713-080002	NUT M 8							6	6	6
21	1	22217-080000	SPRING WASHER 8							6	6	6

Fig. 15. MIXING ELBOW

15. MIXING ELBOW

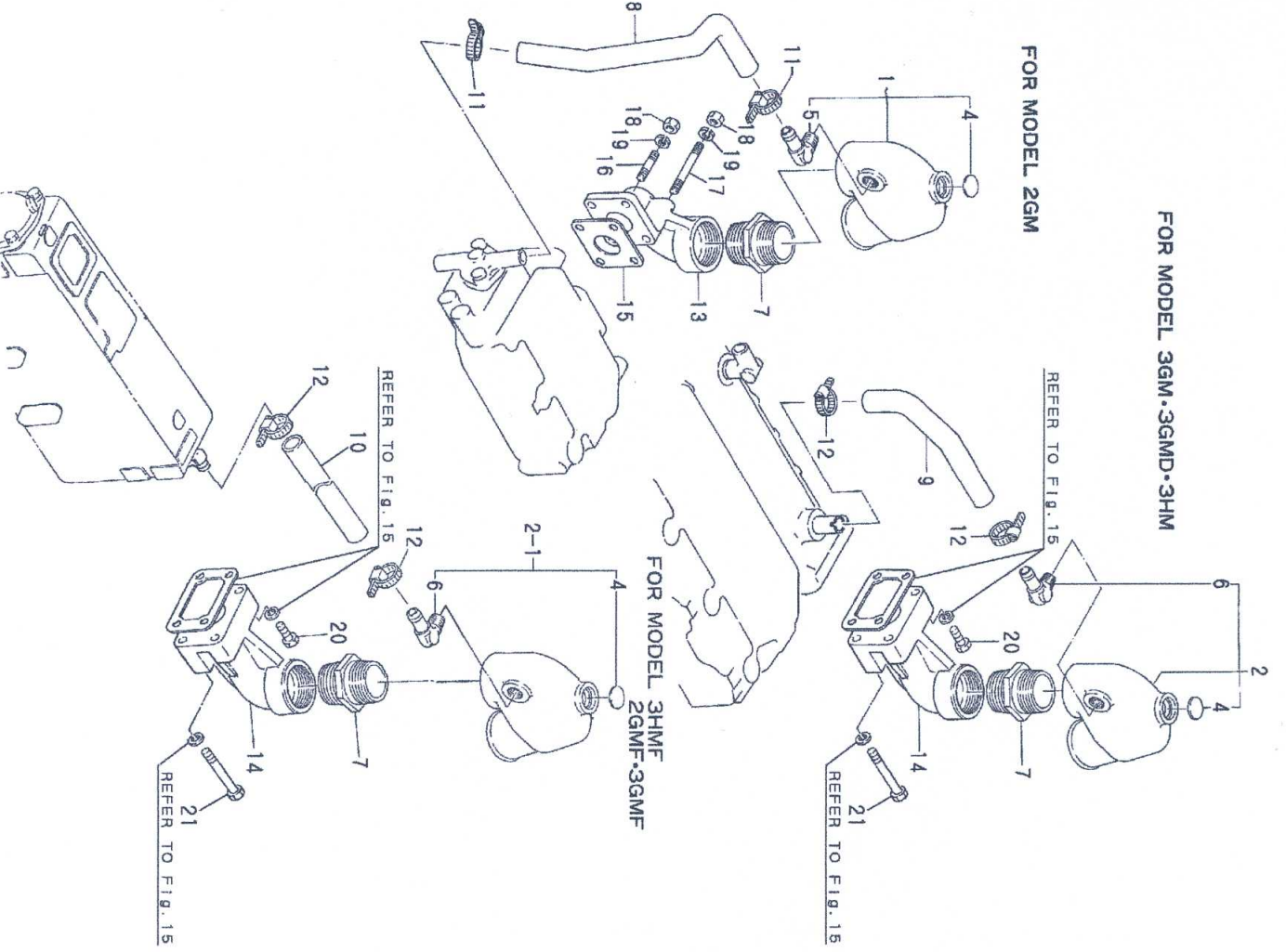
(A)=1GM  
(B)=2GM(F)  
(C)=3GM(F)

(D)=3GMD  
(E)=3HM  
(F)=3HMF



REF.	LEV.	PARTS NO.	DESCRIPTION	(A)	(B)	(C)	(D)	(E)	(F)	I	R
1	1	128170-13530	ELBOW, WATER MIXING	1	1	1	1	1	1		
2	1	128370-13530	ELBOW, MIXING	1	1	1	1	1	1		
3	1	128170-13200	GASKET	1	1	1	1	1	1		
4	1	128370-13200	GASKET	1	1	1	1	1	1		
5	1	26113-080202	BOLT M8X 20 (STEN)	1	1	1	1	1	1		
6	1	26113-080202	BOLT M8X 20 (STEN)	3	3	3	3	3	3		
		(B=EXXX)									
7	1	22217-080000	SPRING WASHER 8	3	3	4	4	4	4		
8	1	26213-080182	STUD M 8X 18	3	3	3	3	3	3		
8-1	1	26213-080182	STUD M 8X 18	3	3	3	3	3	3		
		(B=EXXX)									
9	1	26713-080002	NUT M 8	3	3	3	3	3	3		
9-1	1	26713-080002	NUT M 8	3	3	3	3	3	3		
		(B=EXXX)									

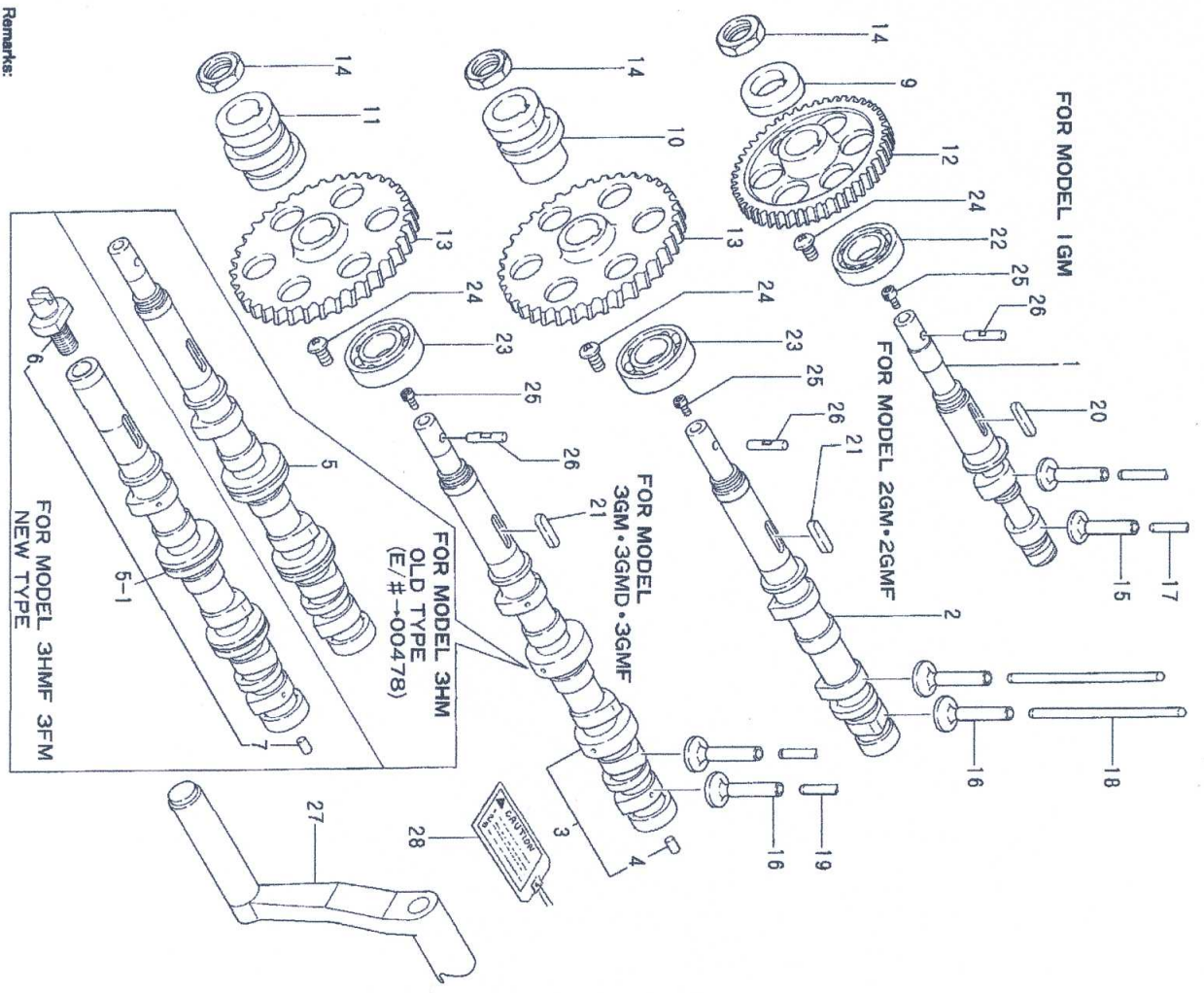
Fig. 16. MIXING ELBOW(U-TYPE/OPTIONAL)



REF.	LEV.	PARTS NO.	DESCRIPTION	(A)	(B)	(C)	(D)	(E)	(F)	QTY	1	R
1	1	128270-13600	ELBOW, U-TYPE		1							
2	1	124070-13520	ELBOW, MIXING		1	1	1	1	1			
2-1	1	128370-13600	ELBOW, MIXING		1	1	1	1	1		R	
4	2	27233-250000	PLUG 25 (C=E)XXX									
5	2	128270-13620	JOINT PT3/8, PIPE		1	1	1	1	1			
6	2	124070-13300	ELBOW (PT3/8)		1	1	1	1	1			
7	1	104214-13580	JOINT		1	1	1	1	1			
8	1	128270-49250	PIPE, COOLING WATER		1							
9	1	128370-49250	PIPE, COOLING WATER		1							
10	1	128690-49250	PIPE, COOLING WATER		1	1	1	1	1			
11	1	23000-022000	CLAMP 22		2							
12	1	23000-025000	CLAMP 25		2	2	2	2	2			
13	1	128270-13610	ELBOW, EXHAUST		1							
14	1	128370-13610	ELBOW, EXHAUST		1	1	1	1	1			
15	1	124000-13200	GASKET, SILENCER		1							
16	1	26213-080222	STUD M 8X 22		2							
17	1	26213-080702	STUD M 8X 70		2							
18	1	26713-080002	NUT M 8		4							
19	1	22217-080000	SPRING WASHER 8		4							
20	1	26113-080402	BOLT M 8X 40		2	2	2	2	2			
21	1	26113-080602	BOLT M 8X 60		2	2	2	2	2			

(A)=1GM  
(B)=2GM(F)  
(C)=3GM(F)  
(D)=3GMD  
(E)=3HM  
(F)=3HMF

Fig. 17. CAMSHAFT



Remarks:  
No.5-1: Changed from July, 1980.

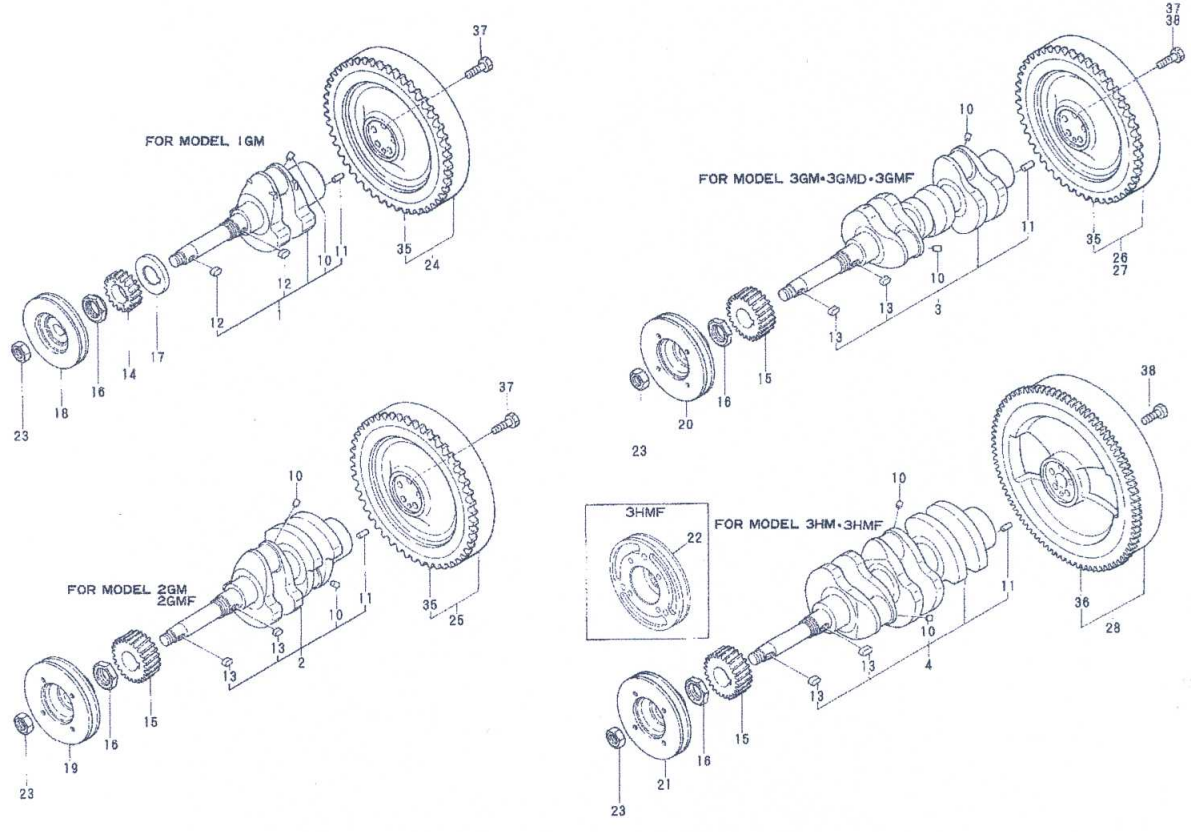
(1) Changed effective engine serial number: From E/#00479~(3HM) Interchangeable provided COVER (Fig.3 No.28-3 171016-01550), BOLT (Fig.3 No.29-1 28116-080162), PACKING (Fig.3 No.40 128695-01840), WASHER 6 (Fig.3 No.41 22137-080000), BOLT (No.6 121000-14110) and PLUG (No.7 121000-14550) are replaced to the original type.  
(2) The parts shown in (1) above are included in the camshaft assembly.

17. CAMSHAFT

REF.	LEV.	PARTS NO.	DESCRIPTION	(A)	(B)	(C)	(D)	(E)	(F)	QTY	I	R
1	1	128170-14010	CAMSHAFT	1								
2	1	128270-14010	CAMSHAFT		1							
3	1	128370-14010	CAMSHAFT			1						
4	2	121000-14550	PLUG				1					
5	1	128670-14010	CAMSHAFT					1				
5-1	1	728670-14581	CAMSHAFT ASSY						1			F
6	2	121000-14110	BOLT									W
7	2	121000-14550	PLUG									W
9	1	124060-14090	CAM, FUEL									
10	1	124000-14090	CAM, FUEL									
11	1	121575-14090	CAM, FUEL									
12	1	128170-14100	GEAR, CAMSHAFT									
13	1	129350-14100	GEAR, CAMSHAFT									
14	1	128170-14150	NUT, CAM									
14-1	1	128170-14150	NUT, CAM									Z
15	1	105430-14200	TAPPET									
16	1	104200-14200	TAPPET									
17	1	105225-14400	ROD, PUSH									
18	1	121450-14400	ROD, PUSH									
19	1	121550-14400	ROD, PUSH									
20	1	22512-050340	KEY 5X 34									
21	1	22512-070300	KEY 7X 30									
22	1	24101-060054	BALL BEARING									
23	1	24101-062054	BEARING #6205									
24	1	26587-080122	SCREW, M 8X 12									
24-1	1	26587-080102	SCREW, M 8X 10									S
25	1	26450-050102	BOLT M5X 10									
25-1	1	26450-050102	BOLT M5X 10									Z
26	1	124070-14760	PIN									
26-1	1	124070-14760	PIN									Z
27	1	128170-76790	HANDLE, STARTING									
27-1	1	128170-76790	HANDLE, STARTING									Z
28	1	128170-07850	LABEL, CAUTION									W

(A)=1GM  
(B)=2GM(F)  
(C)=3GM(F)  
(D)=3GMD  
(E)=3HM  
(F)=3HMF

Fig. 18. CRANKSHAFT & FLYWHEEL



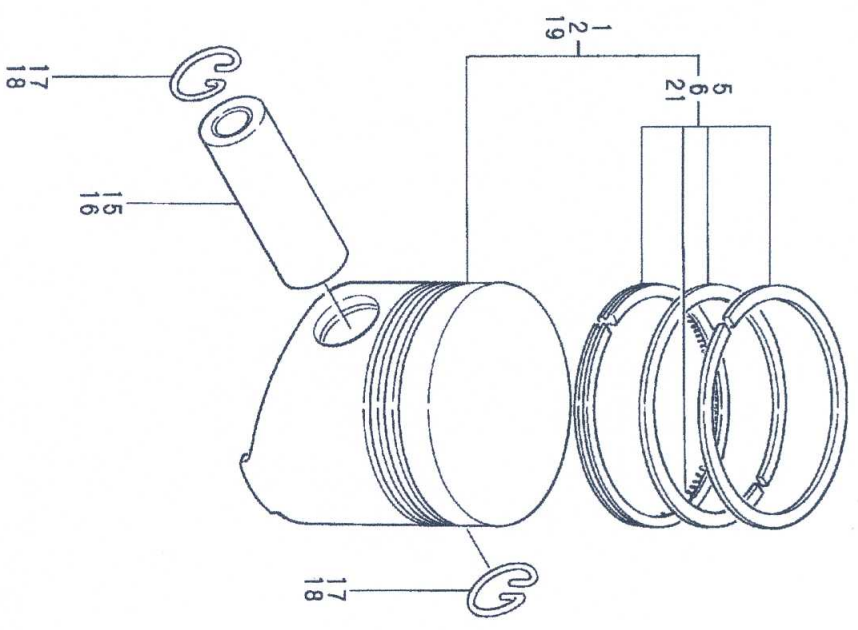
Remarks  
 (1) INTERCHANGEABLE BY SIMULTANEOUS  
 REPLACEMENT WITH REF. NO.2-1,  
 2GMF \*1982.01  
 (2) 3GMF

18. CRANKSHAFT & FLYWHEEL

REF.	LEV.	PARTS NO.	DESCRIPTION	(A)	(B)	(C)	(D)	(E)	(F)	QTY	I	R
1	1	728170-21700	CRANKSHAFT ASSY	1								
2	1	724000-21700	CRANKSHAFT ASSY	1								
2-1	1	724000-21701	CRANKSHAFT ASSY	1								
3	1	721000-21700	CRANKSHAFT ASSY	1								
3A	1	721000-21700	CRANKSHAFT ASSY	1								
3A-1	1	721000-21701	CRANKSHAFT ASSY	1								
4	1	721500-21700	CRANKSHAFT ASSY	1								
10	2	27221-060100	PLUG 6X10	1	2	3	3	3	3		R	
10-1	2	27221-060140	PLUG 6X14	1	2	3	3	3	3		R	
		(A=EXXX)	(B=EXXX)									
		(D=EXXX)	(E=EXXX)									
10-2	2	24190-080001	BALL 1/4, STEEL	1	2	3	3	3	3		R	
		(A=*1982.05)	(B=*1982.05)									
		(C=*1982.05)	(D=*1982.05)									
11	2	22312-080160	PARALLEL PIN 8X 16	1	1	1	1	1	1			
12	2	22512-070120	KEY 7X 12	2								
13	2	22512-070180	KEY 7X 18	2								
14	1	128170-21200	GEAR, CRANKSHAFT	1	2	2	2	2	2			
15	1	129350-21200	GEAR, CRANKSHAFT	1	1	1	1	1	1			
16	1	121450-21540	NUT, CRANK SHAFT GEAR	1	1	1	1	1	1			
17	1	128170-21250	WASHER, THRUST	1	1	1	1	1	1			
18	1	128170-21650	V-PULLEY	1								
19	1	128270-21650	V-PULLEY	1								
19-1	1	128270-21651	V-PULLEY	1								
		(B=E/#04758)										
20	1	128370-21650	V-PULLEY	1								
21	1	128670-21650	V-PULLEY	1								
22	1	128695-21650	V-PULLEY	1								
23	1	26776-180002	NUT M18, LOCK	1	1	1	1	1	1			
24	1	128170-21590	FLYWHEEL W/RING GEAR	1	1	1	1	1	1			
25	1	128270-21590	FLYWHEEL W/RING GEAR	1	1	1	1	1	1			
25-1	1	128270-21591	FLYWHEEL W/RING GEAR	1	1	1	1	1	1			
		(B=E/#04758)										
26	1	128370-21590	FLYWHEEL W/RING GEAR	1								
26A	1	128371-21590	FLYWHEEL W/RING GEAR	1								
27	1	128371-21590	FLYWHEEL W/RING GEAR	1								
28	1	128670-21590	FLYWHEEL W/RING GEAR	1								
35	2	124950-21600	GEAR, RING	1	1	1	1	1	1			
36	2	104211-21600	GEAR, RING	1	1	1	1	1	1			
37	1	121000-21500	BOLT, REAMER	5	5	5	5	5	5			
38	1	121574-21500	BOLT, REAMER	5	5	5	5	5	5			

Fig. 19. PISTON

Y00R0902 19. PISTON



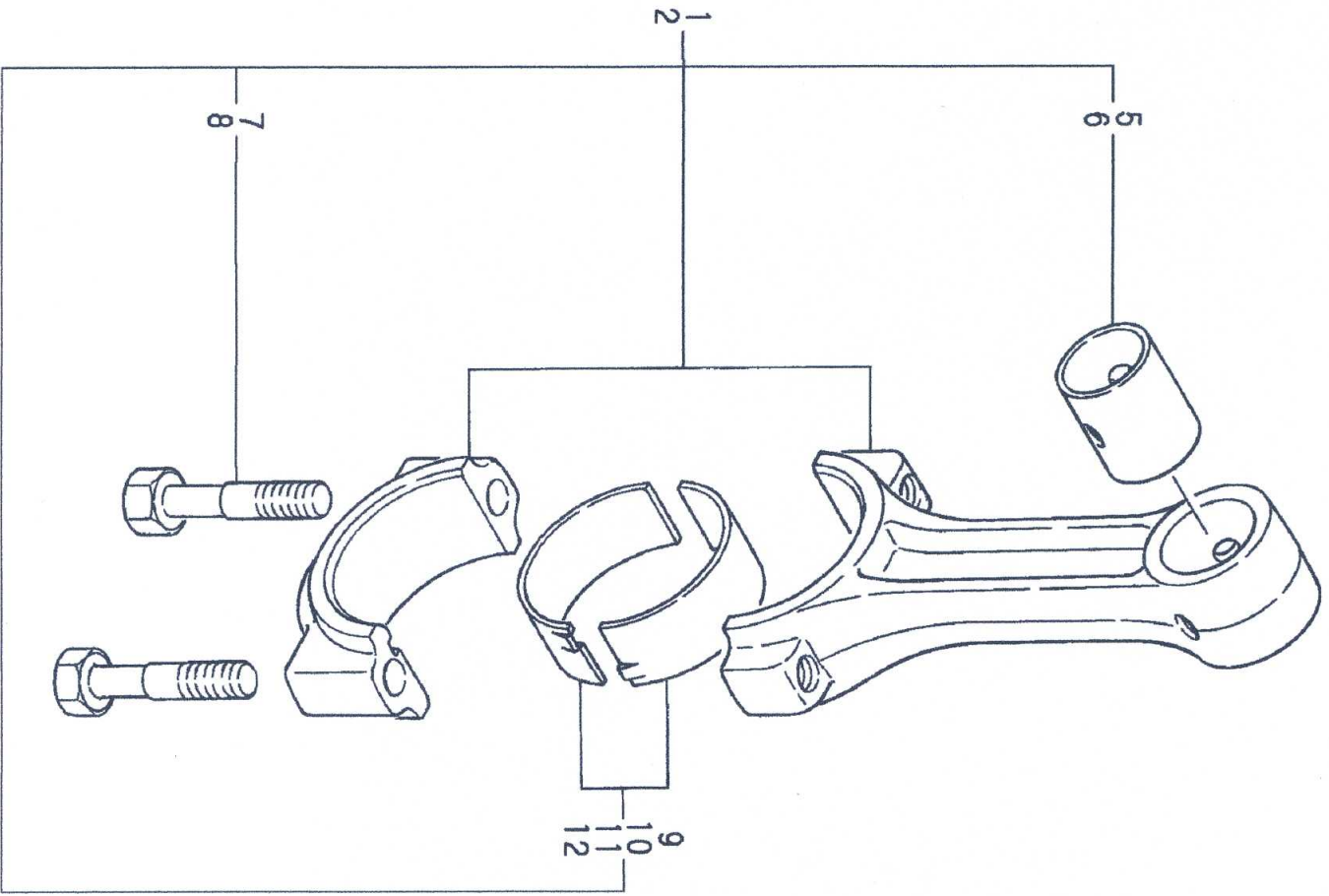
REF.	LEV.	PARTS NO.	DESCRIPTION	(A)	(B)	(C)	(D)	(E)	(F)	QTY	I	R
1	1	121000-22090	PISTON W/RINGS	1	2	3	3					
2	1	121575-22090	PISTON W/RINGS					3	3			
5	2	721000-22500	RING SET	1	2	3	3					
6	2	721575-22500	RING SET					3	3			
15	1	105225-22300	PIN, PISTON	1	2	3	3					
16	1	104200-22300	PIN, PISTON					3	3			
17	1	105225-22400	CIRCLIP	2	4	6	6					
18	1	172100-22400	CIRCLIP					6	6			
19	1	128170-22470	PISTON W/RINGS .250S	1								
21	2	728170-22540	RING SET 025	1								

(A)=1GM  
 (B)=2GM(F)  
 (C)=3GM(F)  
 (D)=3GMD  
 (E)=3HM  
 (F)=3HMF

**ATTENTION**  
 As the abovementioned oversize parts are used for Model 1GM exclusively, they are not used for other Models.



Fig.20.CONNECTING ROD

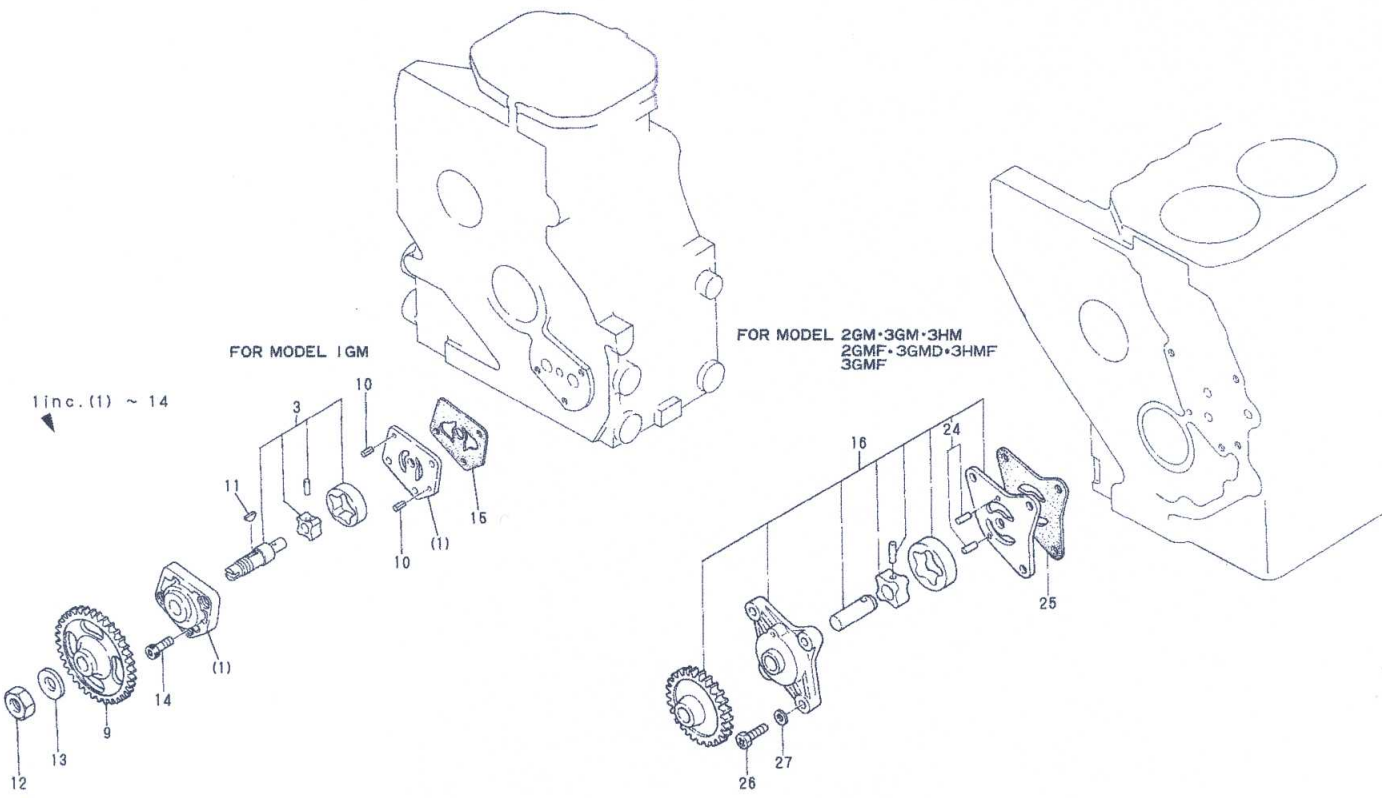


Y00R0902 20.CONNECTING ROD

REF.	LEV.	PARTS NO.	DESCRIPTION	(A)	(B)	(C)	(D)	(E)	(F)	QTY	I	R
1	1	705311-23100	ROD ASSY, CONNECTING	1	2	3	3					
2	1	721550-23100	ROD ASSY, CONNECTING									
5	2	105225-23100	BUSH, PISTON PIN	1	2	3	3					
6	2	124060-23100	BUSH, PISTON PIN									
7	2	105225-23200	BOLT, ROD	2	4	6	6					
8	2	121550-23200	METAL, CONNECTING ROD									
9	2	705311-23600	METAL, CRANKPIN	1	2	3	3					
10	2	721550-23600	BEARING, CRANKPIN									
11	1	105311-23380	METAL, PIN US=0.25	1	2	3	3					
12	1	121550-23380	BEARING, PIN US=0.25									

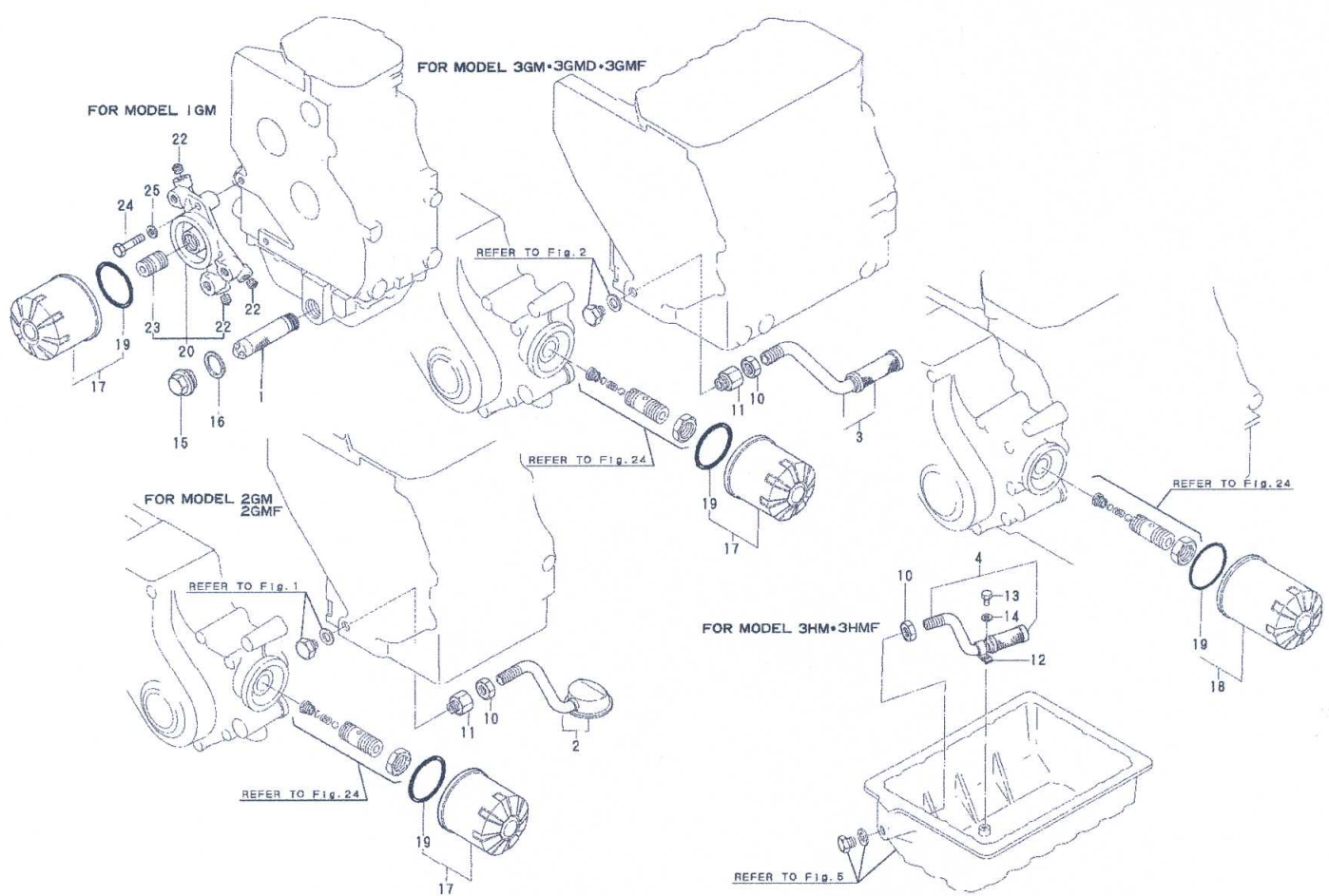
(A)=1GM  
(B)=2GM(F)  
(C)=3GM(F)  
(D)=3GMD  
(E)=3HM  
(F)=3HMF

(A)=1GM  
(B)=2GM(F)  
(C)=3GM(F)  
(D)=3GMD  
(E)=3HM  
(F)=3-HMF



REF.	LEV.	PARTS NO.	DESCRIPTION	(A)	(B)	(C)	(D)	(E)	(F)	QTY	I	R
1	1	728170-32100	PUMP ASSY, LUB. OIL	1								
3	2	728170-32500	ROTOR ASSY, LUB. OIL	1								
9	2	128170-32200	GEAR, LUB OIL PUMP	1								
10	2	22351-040008	SPRING PIN 4X 8	2								
11	2	22522-030100	WOODRUFF KEY 3X10	1								
12	2	26776-120002	LOCK NUT M12 PLATED	1								
13	2	22117-120000	WASHER 12	1								
14	2	26450-060182	BOLT M 6X 18	3								
15	1	128170-32030	GASKET	1								
16	1	121450-32091	PUMP ASSY, LUB OIL	1								
16-1	1	121575-32090	PUMP ASSY, LUB OIL	1								
		(B=E-XXX)										
		(C=E-XXX)										
24	2	121450-32050	PARALLEL PIN	2								
25	1	121450-32021	GASKET, L.O PUMP	1								
26	1	26116-060222	BOLT M 6X 22 PLATED	3								
27	1	22137-060000	WASHER 6, POLISHED	3								

Fig. 23. LUB. OIL STRAINER

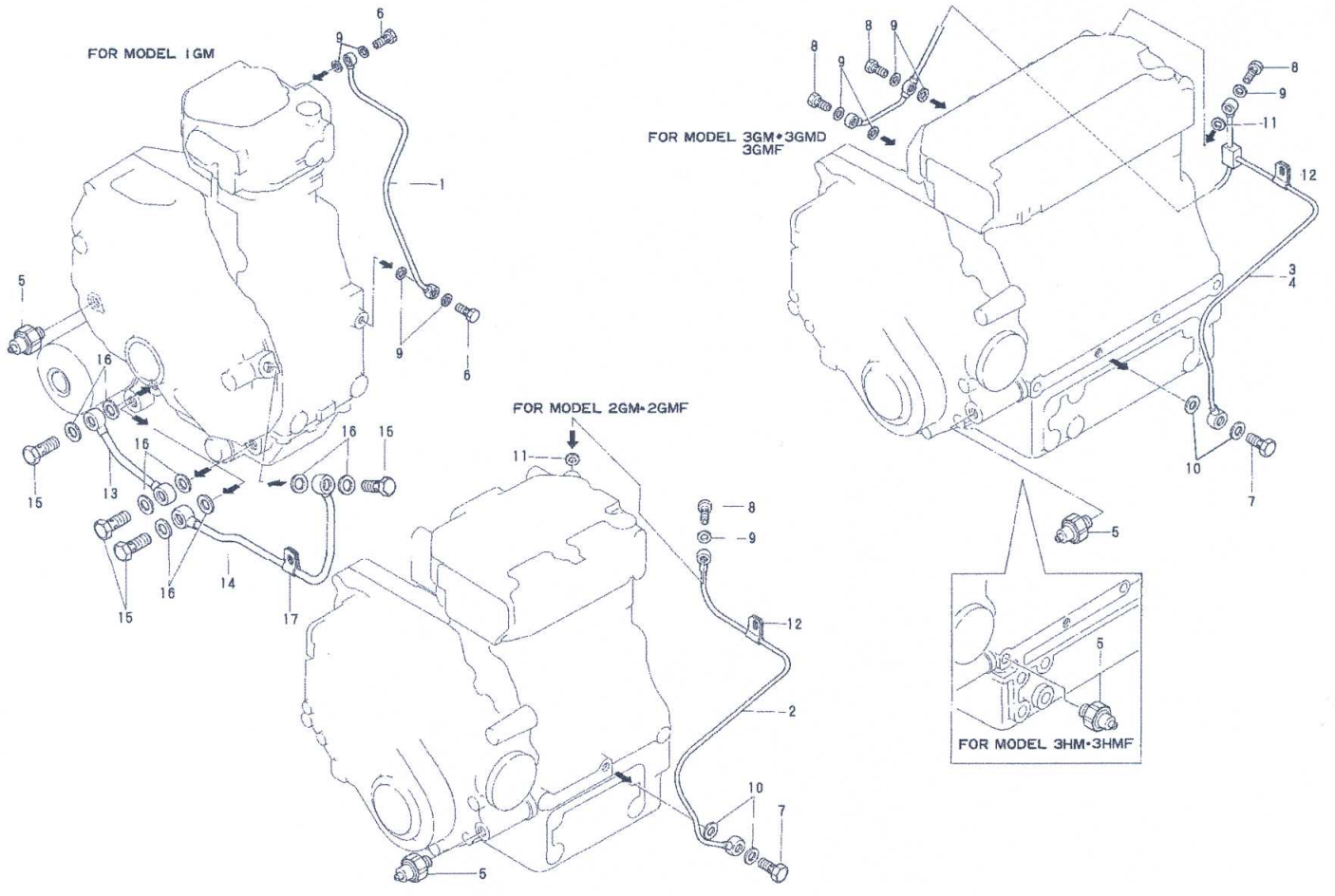


23. LUB. OIL STRAINER

REF.	LEV.	PARTS NO.	DESCRIPTION	(A)	(B)	(C)	(D)	(E)	(F)	QTY	I	R
1	1	105430-35010	ELEMENT, LUB OIL	1								
2	1	128270-35090	PIPE, OIL INLET		1							
3	1	121450-35090	PIPE ASSY, OIL INLET			1						
4	1	121575-35090	PIPE, OIL INLET				1					
10	1	124450-35070	NUT PF-1/4					1				
11	1	121150-35100	FITTINGS						1			
12	1	121370-35080	RETAINER, PIPE							1		
13	1	26116-060142	BOLT M 6X 14								1	
14	1	22217-060000	SPRING WASHER 6									1
15	1	105430-01690	PLUG, DRAIN									1
16	1	43400-500570	SEAL WASHER 24S									1
17	1	124450-35100	FILTER, LUB. OIL									1
18	1	124550-35110	ELEMENT, LUB. OIL									1
19	2	124450-35110	O-RING, L.O STRAINER									1
20	1	728170-35800	BRACKET ASSY									1
22	2	124060-01050	PLUG PT 1/8									3
23	2	105225-35290	BOLT									1
24	1	26116-080352	BOLT M 8X 35									2
25	1	22137-080000	WASHER 8, POLISHED									2

(A)=1GM  
 (B)=2GM(F)  
 (C)=3GM(F)  
 (D)=3GMD  
 (E)=3HM  
 (F)=3HMF

Fig.25. LUB. OIL PIPE

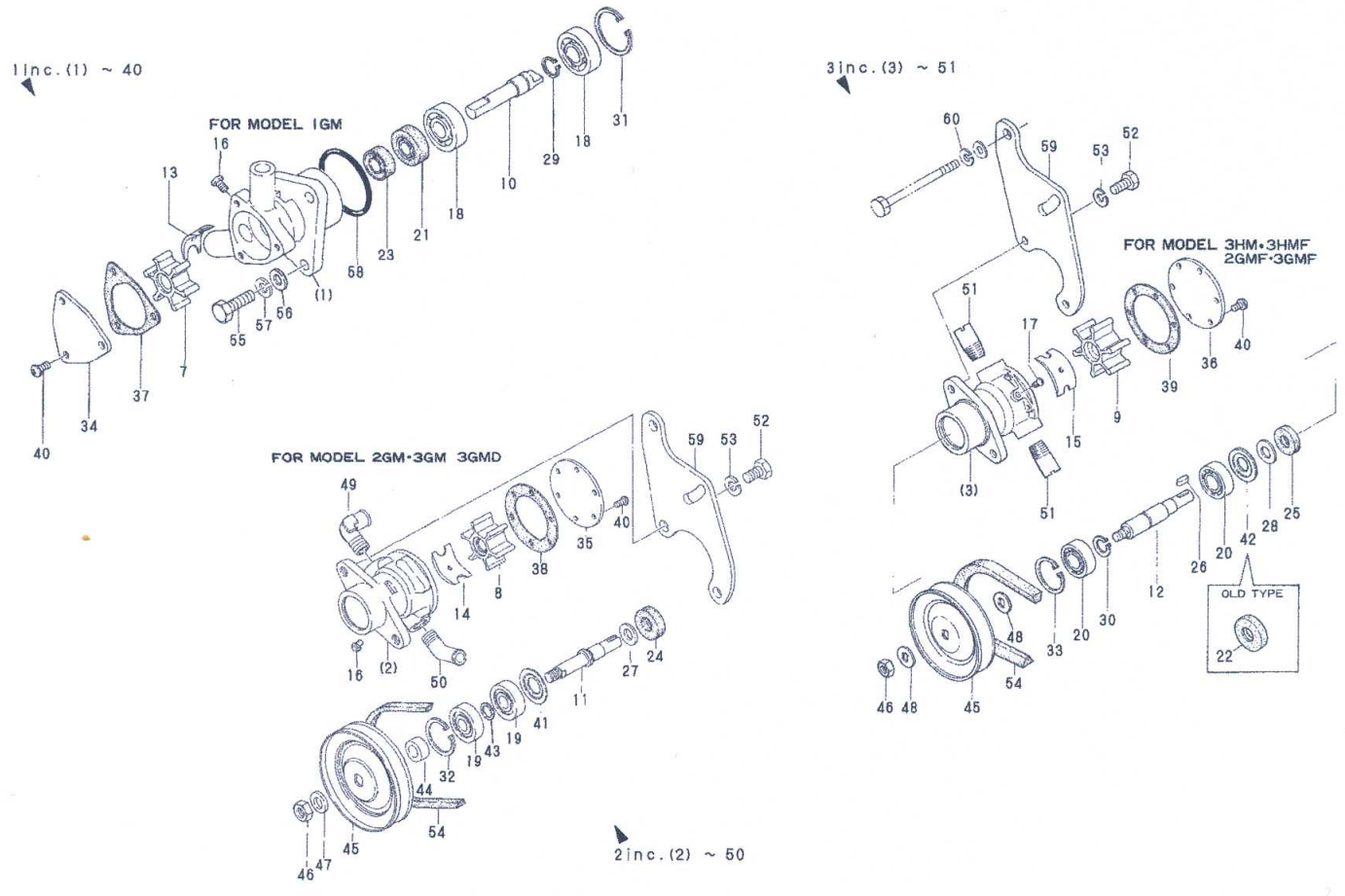


REF.	LEV.	PARTS NO.	DESCRIPTION	(A)	(B)	(C)	(D)	(E)	(F)	QTY	I	R
1	1	128170-39200	PIPE, LUB OIL	1								
2	1	128270-39200	PIPE, LUB OIL		1							
3	1	128370-39200	PIPE, LUB OIL			1						
4	1	121575-39200	PIPE, LUB OIL				1					
5	1	124060-39451	SENDER OIL PRESSURE	1	1	1	1	1	1			
6	1	101147-59810	BOLT 8, PIPE JOINT	2								
7	1	124160-39140	BOLT 10, PIPE JOINT		1	1	1	1	1			
8	1	124550-59820	BOLT 8, PIPE JOINT		1	3	3	3	3			
9	1	23414-080000	GASKET 8, ROUND	4	1	5	5	5	5			
10	1	23414-100000	GASKET 10, ROUND		2	2	2	2	2			
11	1	104884-59170	GASKET	1	1	1	1	1	1			
11-1	1	23414-080000	GASKET 8, ROUND	1	1	1	1	1	1			R
12	1	124450-39240	RETAINER, PIPE									
13	1	128170-39010	PIPE (B), LUB OIL		1							
14	1	128170-39020	PIPE, LUB OIL		1							
15	1	103864-39140	BOLT, PIPE JOINT		1							
16	1	23414-120000	GASKET 12, ROUND		8							
17	1	105582-39140	RETAINER (A)	1								

25. LUB. OIL PIPE

(A)=1GM  
(B)=2GM(F)  
(C)=3GM(F)  
(D)=3GMD  
(E)=3HM  
(F)=3HMF

Fig. 26. COOLING SEA WATER PUMP

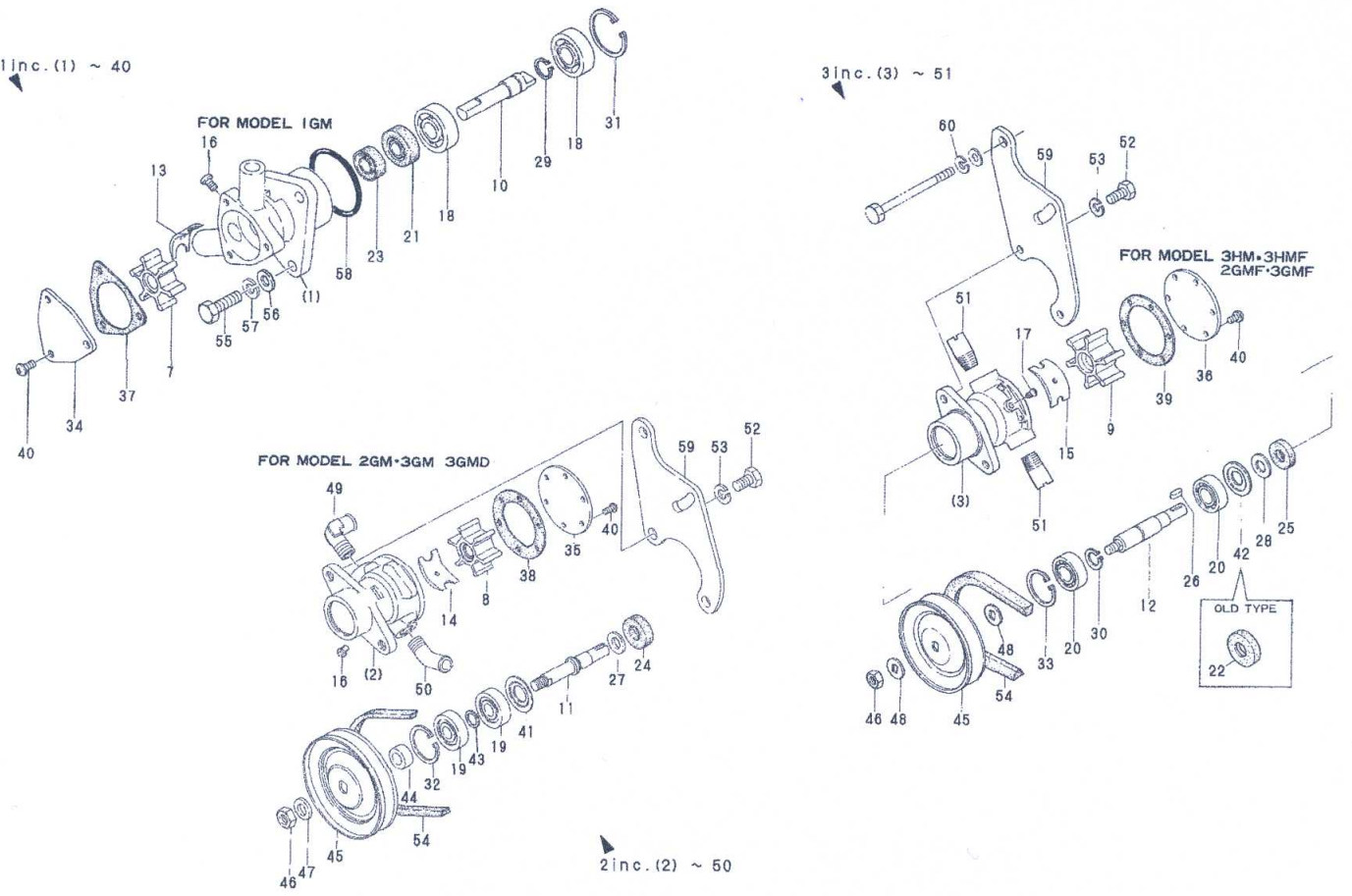


Y00R0902 26. COOLING SEA WATER PUMP

REF.	LEV.	PARTS NO.	DESCRIPTION	(A)	(B)	(C)	(D)	(E)	(F)	QTY	I	R
56	1	22217-060000	SPRING WASHER 6	3								
57	1	22117-060000	WASHER 6	3								
58	1	24321-000350	O-RING 1A-G-35.0	3								
59	1	128270-42150	BRACKET, C.W. PUMP	1	1	1	1	1	1			
60	1	22217-080000	SPRING WASHER 8		2	2		2	2			

(A)=1GM  
 (B)=2GM(F)  
 (C)=3GM(F)  
 (D)=3GMD  
 (E)=3HM  
 (F)=3HMF  
 (E=EXXX)  
 (F=EXXX)

Fig.26.COOLING SEA WATER PUMP



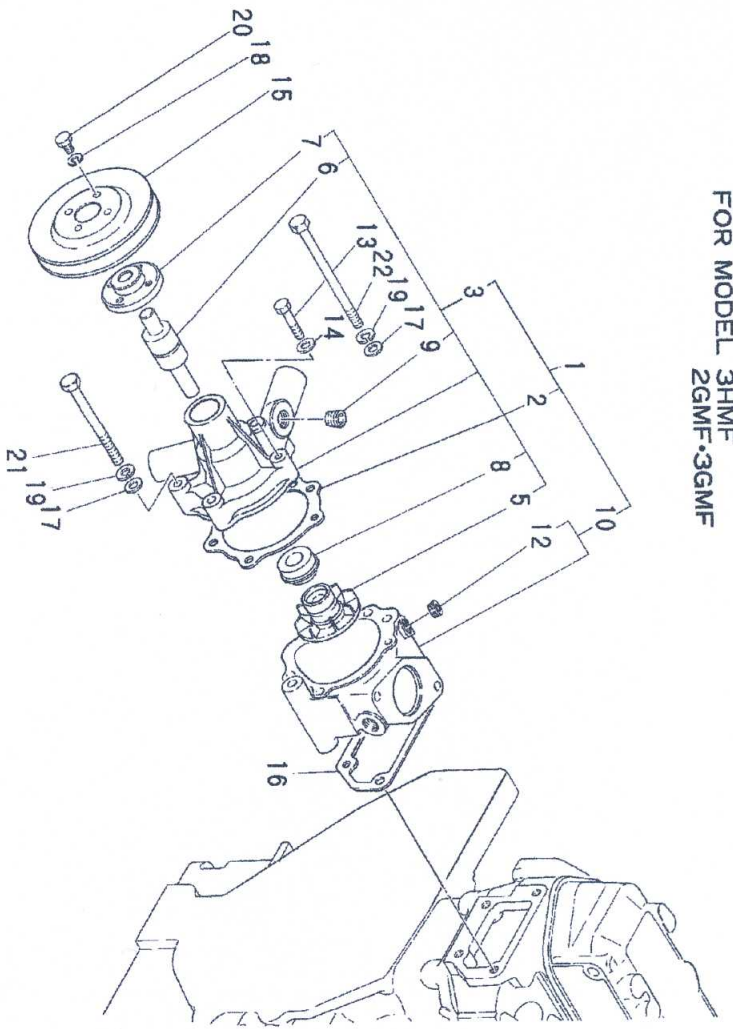
26.COOLING SEA WATER PUMP

REF.	LEV.	PARTS NO.	DESCRIPTION	QTY						I	R
				(A)	(B)	(C)	(D)	(E)	(F)		
1	1	128170-42000	PUMP ASSY, C. WATER	1							
2	1	128270-42000	PUMP ASSY, C. WATER		1						
3	1	121575-42000	PUMP ASSY, C.S.W.			1					
7	2	128170-42070	IMPELLER, C. WATER		1						
8	2	104211-42070	IMPELLER, C. WATER			1					
9	2	124223-42091	IMPELLER, C. WATER			1					
10	2	128170-42060	SHAFT, IMPELLER		1						
11	2	124070-42060	SHAFT, IMPELLER			1					
12	2	121575-42020	SHAFT, IMPELLER			1					
13	2	128170-42050	CAM			1					
14	2	104211-42050	CAM			1					
15	2	124323-42100	CAM			1					
16	2	26554-040062	SCREW M 4X 6			1					
17	2	26554-040102	SCREW M 4X 10			1					
18	2	24101-060004	BALL BEARING			2					
19	2	24107-062004	BALL BEARING			2					
20	2	24107-062024	BALL BEARING			2					
21	2	128170-42110	SEAL TC8 22 7, OIL		1						
22	2	124223-42160	SEAL, OIL			1					
23	2	124240-91450	SEAL, OIL			1					
24	2	104211-42100	SEAL TC10 25 7, OIL			1					
25	2	124223-42080	SEAL TC13 28 7, OIL			1					
26	2	124223-42040	KEY			1					
27	2	104211-42110	RING, WATER SEAL			1					
28	2	124223-42070	PIECE			1					
29	2	22242-000100	CIRCLIP 10			1					
30	2	22242-000150	CIRCLIP 15			1					
31	2	22252-000260	CIRCLIP 26			1					
32	2	22252-000300	CIRCLIP 30			1					
33	2	22252-000350	CIRCLIP 35			1					
34	2	128170-42080	COVER, END			1					
35	2	104211-42080	COVER, C.W. PUMP			1					
36	2	121575-42150	COVER			1					
37	2	128170-42090	GASKET			1					
38	2	104211-42090	GASKET			1					
39	2	124223-42110	GASKET			1					
40	2	26554-040082	SCREW M 4X 8			3					
41	2	104211-42120	RETAINER			6					
42	2	121575-42120	COVER			1					
43	2	104211-42130	SPACER			1					
44	2	124070-42410	COLLAR			1					
45	2	124070-42400	V-PULLEY, C.W. PUMP			1					
46	2	26347-080002	U-NUT 8			1					
47	2	124070-42420	WASHER			1					
48	2	124070-42420	WASHER			1					
49	2	105583-49910	ELBOW (PT1/4)			1					
50	2	128270-49300	ELBOW 1/4			1					
51	2	121575-49300	JOINT PT 3/8			2					
52	2	26116-080142	BOLT 8X14			2					
53	1	22217-080000	SPRING WASHER 8			2					
54	1	104511-76780	V-BELT			2					
55	1	26116-060202	BOLT M 6X 20			3					

++ CONTINUE ++

Fig.27. COOLING FRESH WATER PUMP

FOR MODEL 3HMF  
2GMF-3GMF



27. COOLING FRESH WATER PUMP

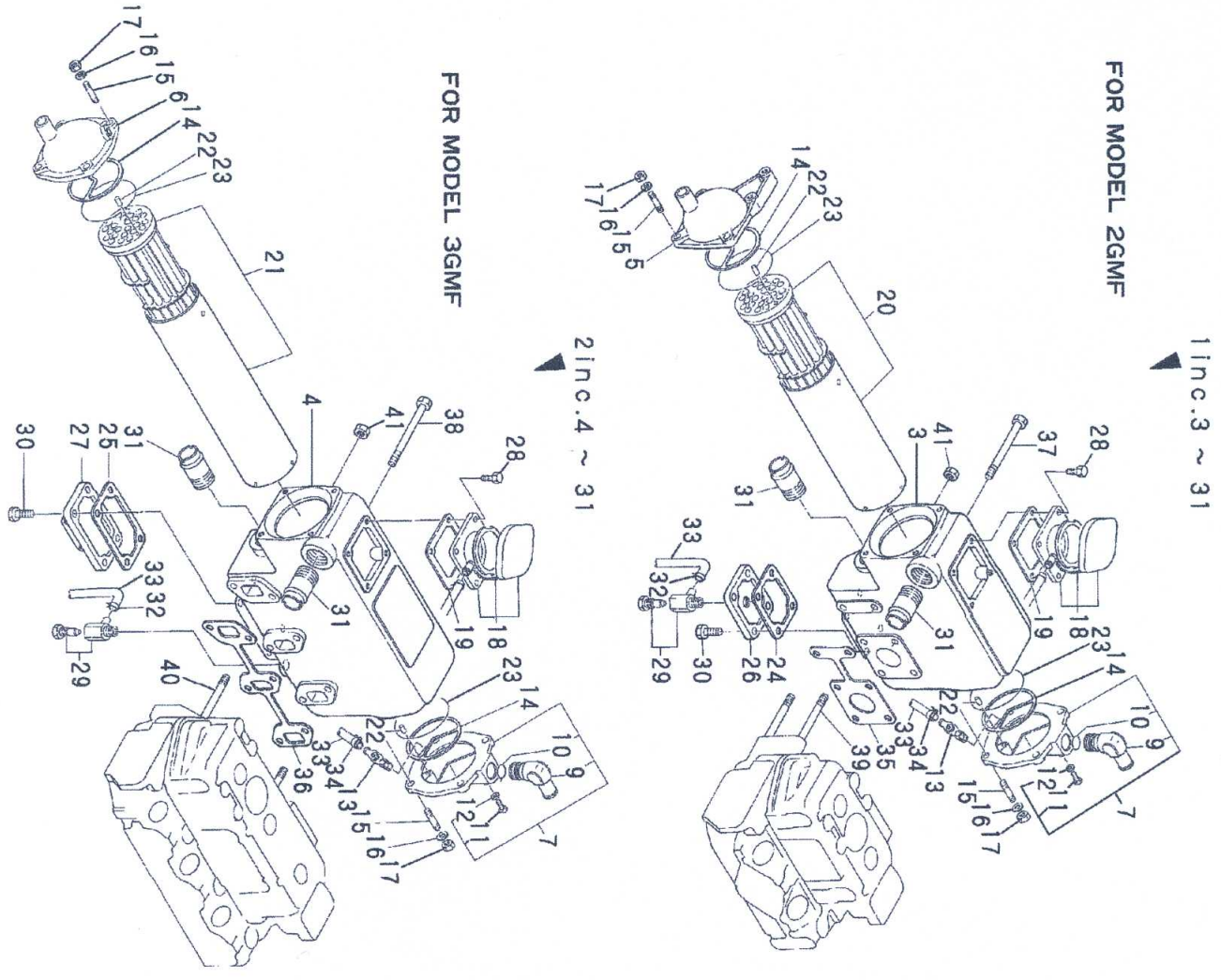
(A)=1GM  
(B)=2GM(F)  
(C)=3GM(F)  
(D)=3GM(D)  
(E)=3HM  
(F)=3HMF

REF.	LEV.	PARTS NO.	DESCRIPTION	(A)	(B)	(C)	(D)	(E)	(F)
1	1	128695-42010	PUMP ASSY, C.F.W.	1	1	1	1	1	1
2	2	121000-42050	GASKET, BODY	1	1	1	1	1	1
3	2	121000-42100	BODY ASSY, C.W.PUMP	1	1	1	1	1	1
5	3	129350-42200	IMPELLER	1	1	1	1	1	1
6	3	121450-42240	SHAFT, IMPELLER	1	1	1	1	1	1
7	3	121450-42280	FLANGE, V-PULLEY	1	1	1	1	1	1
8	3	121450-42310	SEAL, MECHANICAL	1	1	1	1	1	1
9	2	23871-030000	PLUG PT3/8, SCREW	1	1	1	1	1	1
10	2	728695-43500	BRACKET ASSY, PUMP	1	1	1	1	1	1
12	3	23871-020000	PLUG PT1/4, SCREW	1	1	1	1	1	1
13	2	26117-060352	BOLT M 6X 35	1	1	1	1	1	1
14	2	22117-060000	WASHER 6	1	1	1	1	1	1
15	1	128695-42350	V-PULLEY	1	1	1	1	1	1
16	1	121450-44410	GASKET, BRACKET	1	1	1	1	1	1
17	1	22117-060000	WASHER 8	1	1	1	1	1	1
18	1	22217-060000	SPRING WASHER 6	1	1	1	1	1	1
19	1	22217-060000	SPRING WASHER 8	1	1	1	1	1	1
20	1	26116-060102	BOLT M 6X 10 PLATED	1	1	1	1	1	1
21	1	26116-080952	BOLT M 8X 95 PLATED	1	1	1	1	1	1
22	1	26116-081152	BOLT M 8X 115 PLATED	1	1	1	1	1	1

Fig.28. COOLING FRESH WATER COOLER

28. COOLING FRESH WATER COOLER

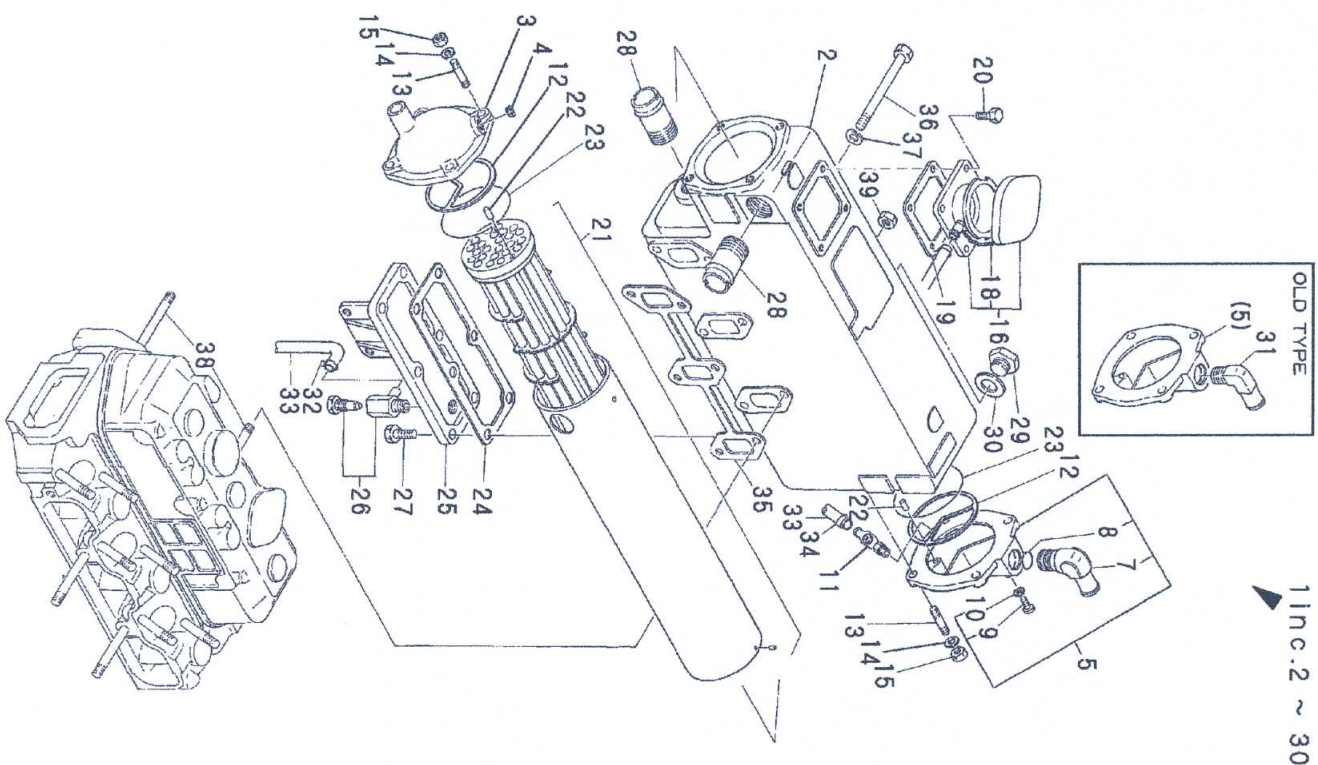
(A)=1GM  
(B)=2GM(F)  
(C)=3GM(F)  
(D)=3GMD  
(E)=3HM  
(F)=3HWF



REF.	LEV.	PARTS NO.	DESCRIPTION	(A)	(B)	(C)	(D)	(E)	(F)	QTY	I	R
1	1	728290-44500	EXCHANGER ASSY, HEAT		1							
2	1	728390-44500	EXCHANGER ASSY, HEAT			1						
3	2	128290-44010	TANK, HEAT EXCHANGER		1							
4	2	128390-44010	TANK, HEAT EXCHANGER			1						
5	2	128290-44050	COVER, INLET		1							
6	2	128965-44050	COVER, INLET			1						
7	2	728690-44710	COVER (A) ASSY, SIDE		1							
9	3	128690-49310	ELBOW		1							
10	3	24311-000160	O-RING 1A P-16.0		1							
11	3	26554-050102	SCREW M5X 10		1							
12	3	23414-050000	GASKET 5		1							
13	2	128695-44090	COCK PT1/8		1							
14	2	128695-44070	GASKET		2							
15	2	26216-060202	STUD M6X 20 PLATED		8							
16	2	22117-060000	WASHER 6		8							
17	2	26716-060002	NUT 6		8							
18	2	123682-44190	FILLER W/BALL		1							
19	2	123672-44200	GASKET		1							
20	2	128290-44400	CORE ASSY, COOLER		1							
21	2	128390-44400	CORE ASSY, COOLER			1						
22	2	124790-44470	PIN		2							
23	2	24311-000700	O-RING 1A P-70.0		2							
24	2	121450-11680	GASKET COVER		1							
25	2	128390-44490	GASKET		1							
26	2	128290-44480	COVER, TANK		1							
27	2	128390-44480	COVER, TANK			1						
28	2	26116-060162	BOLT 6X16		4							
29	2	43600-500290	COCK 1/4		1							
30	2	26116-080202	BOLT M 8X 20 PLATED		1							
31	2	124160-49480	JOINT, PIPE		4							
32	1	124460-77680	RETAINER		2							
33	1	23061-070300	PIPE 7X 300		1							
34	1	124722-59050	CLAMP 9		2							
35	1	128290-13250	GASKET		1							
36	1	121450-13250	GASKET, EXH.MANIFOLD		1							
37	1	26116-080852	BOLT M 8X 85 PLATED		4							
38	1	26116-080902	BOLT M 8X 90 PLATED		4							
39	1	26216-080852	STUD M 8X 85 PLATED		2							
40	1	26216-080902	STUD M 8X 90 PLATED		2							
41	1	26716-080002	NUT M 8		2							

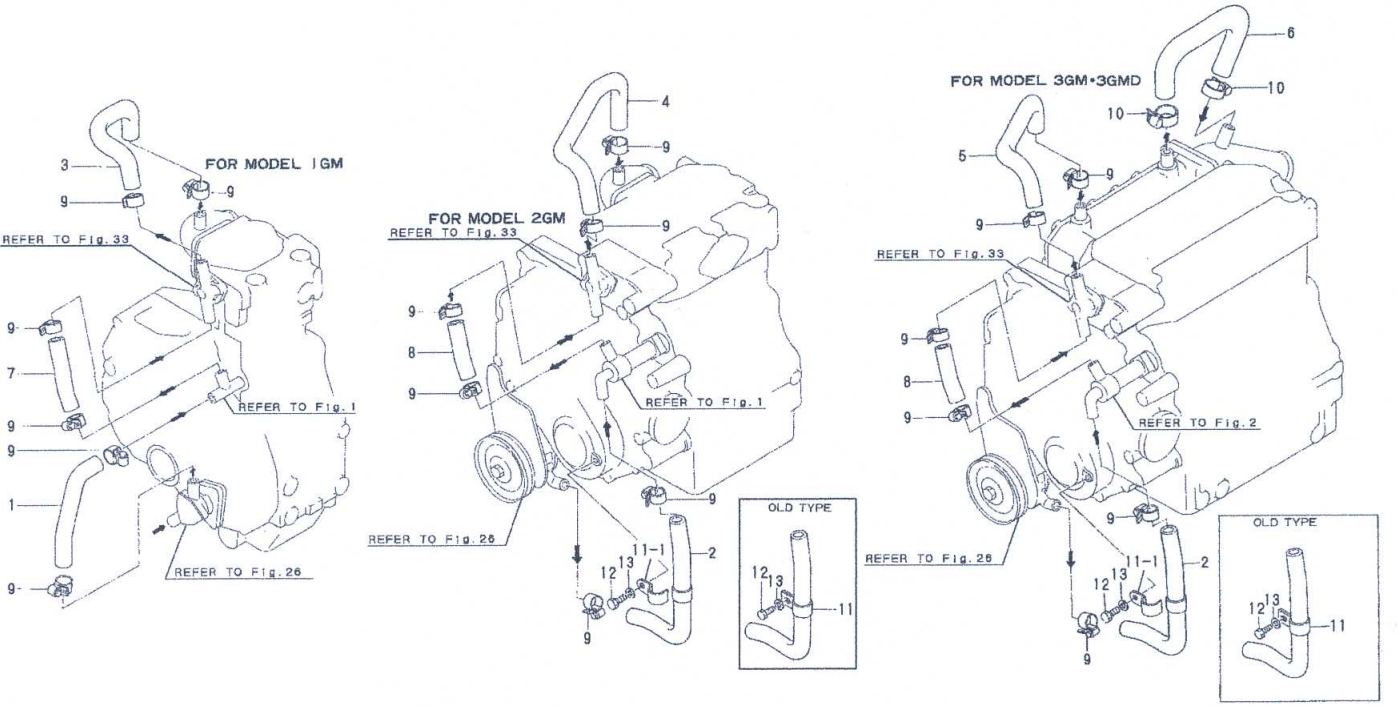


FOR MODEL 3HMF



REF.	LEV.	PARTS NO.	DESCRIPTION	(A)	(B)	(C)	(D)	(E)	(F)	QTY	I	R
1	1	728695-44500	EXCHANGER ASSY, HEAT							1		
1-1	1	728695-44501	EXCHANGER ASSY, HEAT							1	N	
2	2	128695-44010	TANK, HEAT EXCHANGER							1		
3	2	128695-44050	COVER, SIDE							1		
4	2	23873-010000	PLUG PT 1/8							1	Z	
5	2	728690-44710	COVER (A) ASSY, SIDE							1		
7	3	128690-49310	ELBOW							1		
8	3	24311-000160	O-RING 1A P-16.0							1		
9	3	26554-050102	SCREW M 5X 10							1		
10	3	23414-050000	GASKET 5							1		
11	2	128695-44090	COCK PT 1/8							1		
12	2	128695-44070	GASKET							2		
13	2	26216-060202	STUD M 6X 20 PLATED							8		
14	2	22117-060000	WASHER 6							8		
15	2	26716-060002	NUT 6							8		
16	2	123682-44190	FILLER W/BALL							1		
18	3	123682-44220	CHAIN							1		
19	2	123672-44200	GASKET							1		
20	2	26116-060162	BOLT 6X16							4		
21	2	128695-44400	CORE ASSY, COOLER							1		
22	2	124790-44470	PIN							2		
23	2	24311-000700	O-RING 1A P-70.0							2		
24	2	120345-13160	GASKET							1		
25	2	128695-44480	COVER							1		
26	2	43600-500290	COCK 1/4							1		
27	2	26116-080202	BOLT M 8X 20 PLATED							6		
28	2	124160-49480	JOINT, PIPE							2		
29	2	23897-030002	PLUG PF 3/8							1		
30	2	23414-170022	GASKET 17							1		
31	1	124070-13300	ELBOW (PT 3/8)							1	Z	
32	1	124460-77680	RETAINER							1		
33	1	23061-070300	PIPE 7X 300							1		
34	1	124722-59050	CLAMP 9							2		
35	1	121550-13520	GASKET							1		
36	1	26116-080902	BOLT M 8X 90 PLATED							4		
37	1	22217-080000	SPRING WASHER 8							4		
38	1	26216-080902	STUD M 8X 90 PLATED							2		
39	1	26716-080002	NUT M 8							2		

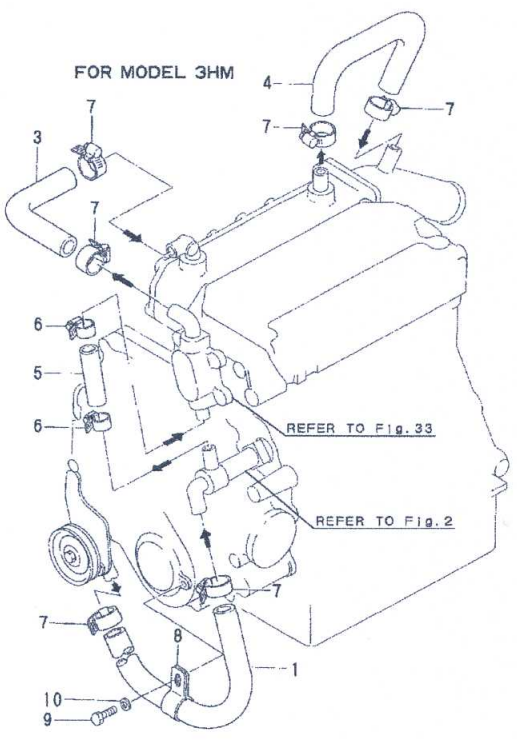
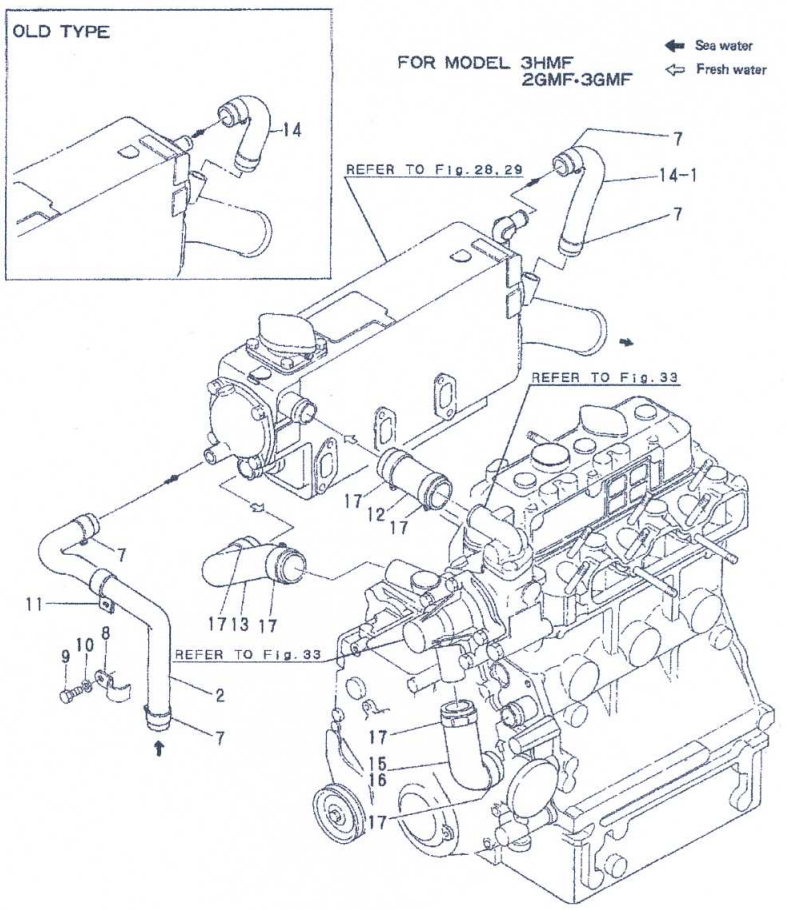
Fig.31. COOLING WATER PIPE



REF.	LEV.	PARTS NO.	DESCRIPTION	(A)	(B)	(C)	(D)	(E)	(F)	QTY	
1	1	128170-49010	PIPE, COOLING WATER	1						1	R
2	1	128270-49010	PIPE, COOLING WATER	1						1	R
2-1	1	128270-49110	PIPE, COOLING WATER	1						1	R
2-2	1	128270-49010 (B=E#00843) (C=E#00380) (D=*1980.11) (E=*1981.07)	PIPE, COOLING WATER	1						1	R
3	1	128170-49040 (B=E#02939) (C=E#01668)	PIPE, COOLING WATER	1						1	R
4	1	128270-49020	PIPE, COOLING WATER	1						1	R
5	1	128370-49020	PIPE, COOLING WATER	1						1	R
6	1	128370-49030	PIPE, COOLING WATER	1						1	R
6-1	1	121370-49040 (C=E#00012)	PIPE, COOLING WATER	1						1	R
7	1	128170-49050	PIPE, COOLING WATER	1						1	R
8	1	128270-49050	PIPE, COOLING WATER	1						1	R
9	1	23000-022000	CLAMP 22	6						6	R
10	1	23000-025000	CLAMP 25	2						2	R
11	1	23297-200061	RETAINER 20X 6	1						1	R
11-1	1	124070-49310 (B=*1980.09) (C=*1980.09)	RETAINER	1						1	R
12	1	26116-060122 (D=*1980.09)	BOLT 6X12	1						1	R
13	1	22137-060000	WASHER 6, POLISHED	1						1	R

(A)=1GM  
(B)=2GM(F)  
(C)=3GM(F)  
(D)=3GMD  
(E)=3HM  
(F)=3HMF

(A)=1GM  
(B)=2GM(F)  
(C)=3GM(F)  
(D)=3GMD  
(E)=3HM  
(F)=3HMF

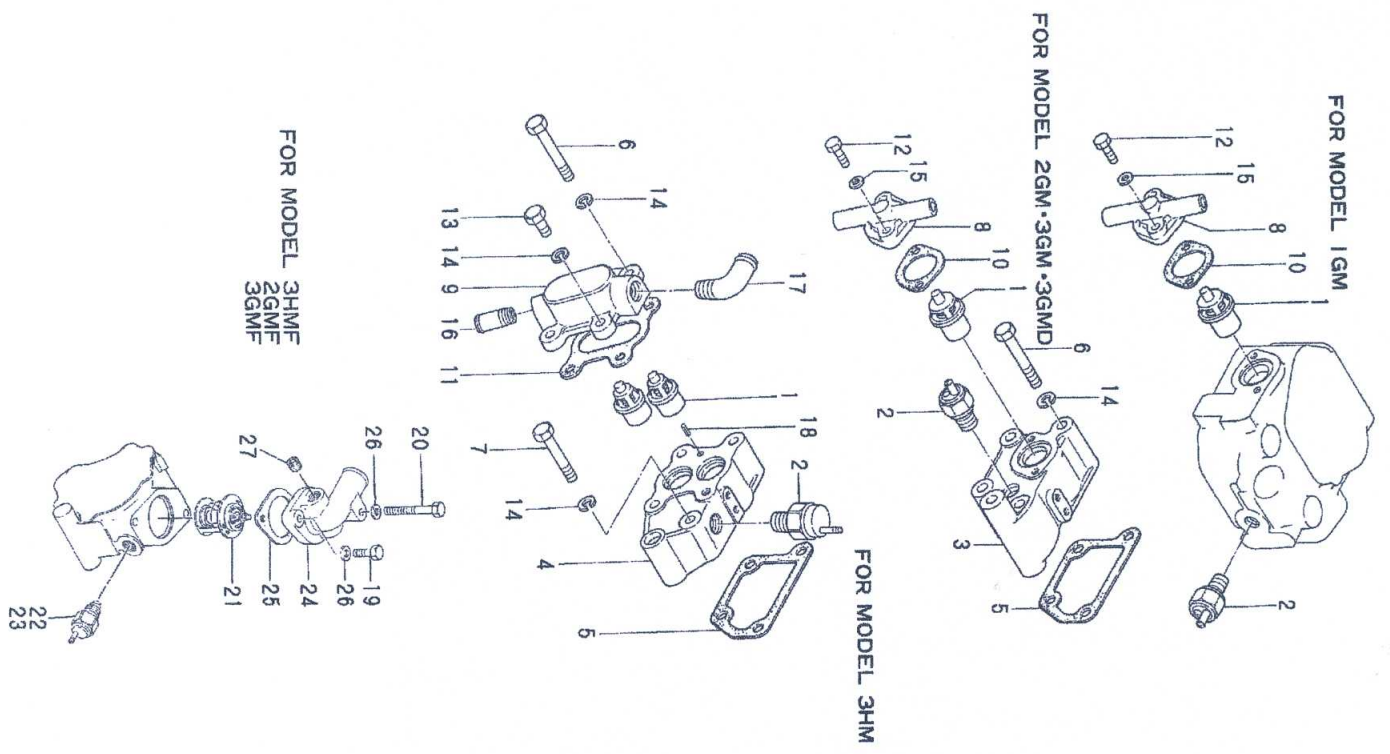


REF.	LEV.	PARTS NO.	DESCRIPTION	(A)	(B)	(C)	(D)	(E)	(F)	I	R
1	1	128670-49010	PIPE (B), C. WATER					1			
2	1	128690-49010	PIPE (B), C. WATER		1	1			1		
3	1	121575-49020	PIPE (B), C. WATER					1			
4	1	128370-49030	PIPE, COOLING WATER					1			
4-1	1	121370-49040	PIPE, COOLING WATER					1			R
					(E=#00019)						
5	1	128270-49050	PIPE, COOLING WATER					1			
6	1	23000-022000	CLAMP 22					2			
7	1	23000-025000	CLAMP 25		4	4		6	4		
8	1	121575-49310	CLAMP					1			
8-1	1	124070-49310	RETAINER					1			N
					(E=*1980.09)				(F=*1980.09)		
9	1	26116-060102	BOLT M 6X 10 PLATED		1	1		1	1		
10	1	22137-060000	WASHER 6, POLISHED		1	1		1	1		
11	1	121575-49310	CLAMP		1	1		1	1		
12	1	128695-49520	PIPE (E), C. WATER		1	1		1	1		
13	1	128695-49530	PIPE (F), C. WATER		1	1		1	1		
14	1	128695-49020	PIPE (C), C. WATER		1	1		1	1		
14-1	1	124770-49040	PIPE, COOLING WATER		1	1		1	1		S
15	1	128695-49530	PIPE (F), C. WATER					1			
16	1	128290-49510	PIPE, COOLING WATER		1	1		1			
17	1	23000-041000	CLAMP 41		6	6		6	6		

Fig. 33. THERMOSTAT

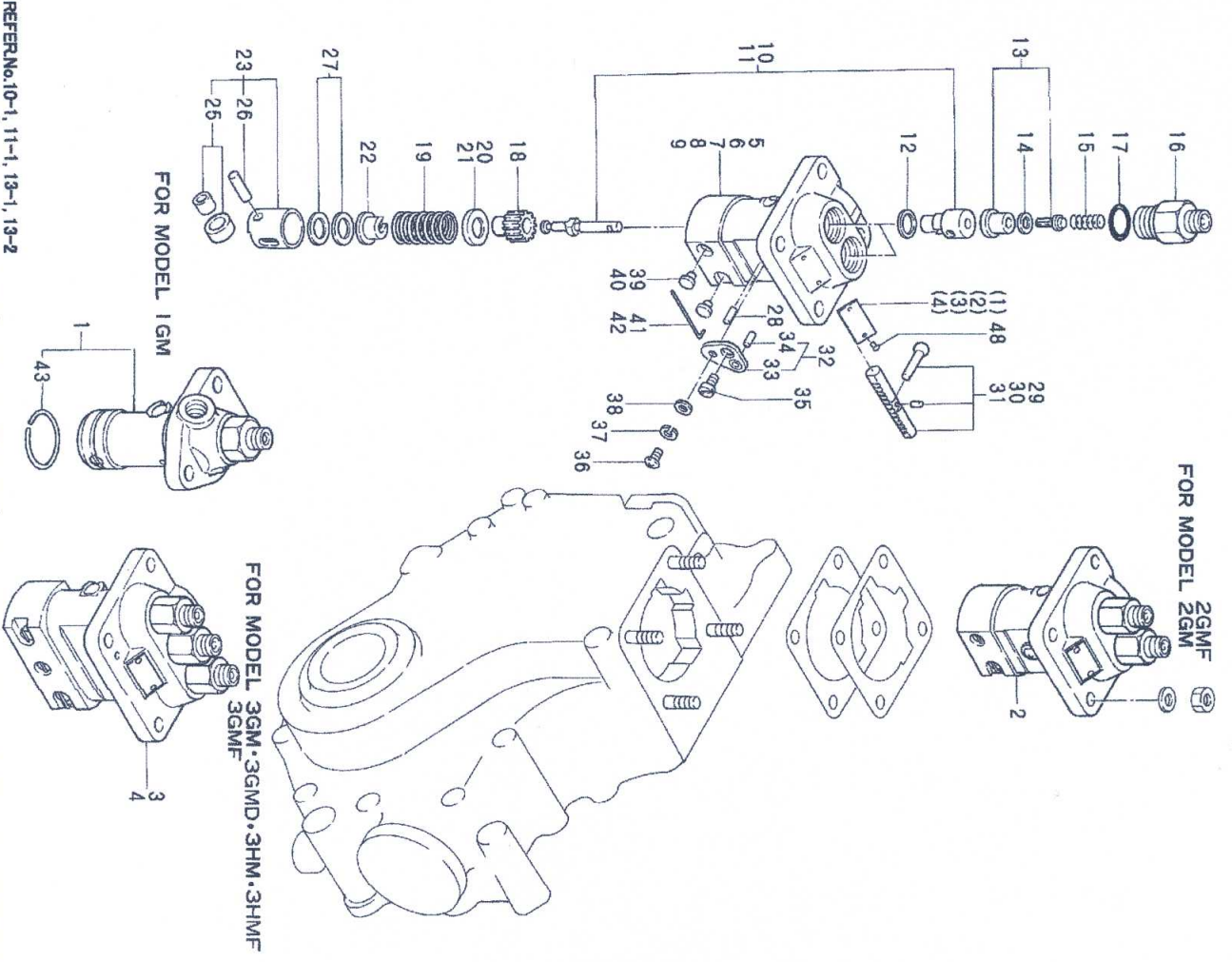
33. THERMOSTAT

(A)=1GM  
(B)=2GM(F)  
(C)=3GM(F)  
(D)=3GMD  
(E)=3HM  
(F)=3HMF



REF.	LEV.	PARTS NO.	DESCRIPTION	(A)	(B)	(C)	(D)	(E)	(F)	QTY	I	R
1	1	105582-49200	THERMOSTAT	1	1	1	1	2				
2	1	127610-91340	SWITCH, THERMO	1	1	1	1	1				
2-1	1	128275-91340	SWITCH, THERMO(65C	1	1	1	1	1				N
3	1	128270-49100	BRACKET, THERMOSTAT	1	1	1	1	1				
4	1	121575-49100	BRACKET	1	1	1	1	1				
5	1	121450-44410	GASKET, BRACKET	1	1	1	1	1				
6	1	26116-080602	BOLT M 8X 60 PLATED	4	4	4	4	3				
7	1	26116-080502	BOLT M 8X 50 PLATED	1	1	1	1	1				
8	1	128170-49150	COVER, THERMOSTAT	1	1	1	1	1				
9	1	121575-49150	COVER, THERMOSTAT	1	1	1	1	1				
10	1	104211-49160	PACKING	1	1	1	1	1				
11	1	121575-49160	PACKING	1	1	1	1	1				
12	1	26116-060202	BOLT M 6X 20	2	2	2	2	2				
13	1	26116-080202	BOLT M 8X 20 PLATED	1	1	1	1	1				
14	1	22217-080000	SPRING WASHER 8	4	4	4	4	5				
15	1	22117-060000	WASHER 6	2	2	2	2	2				
16	1	104271-49060	JOINT	1	1	1	1	1				
17	1	124070-13300	ELBOW (PT3/8)	1	1	1	1	1				
18	1	22351-040008	SPRING PIN 4X 8	1	1	1	1	1				
19	1	26116-080282	BOLT M 8X 28 PLATED	1	1	1	1	1				
20	1	26116-080652	BOLT M 8X 65 PLATED	1	1	1	1	1				
21	1	121750-49800	THERMOSTAT	1	1	1	1	1				
22	1	127610-91350	SWITCH, THERMO	1	1	1	1	1				
23	1	127610-91360	SWITCH, THERMO	1	1	1	1	1				
24	1	128690-49530	COVER, THERMOSTAT	1	1	1	1	1				
25	1	124736-49540	GASKET, THERMO.	1	1	1	1	1				
26	1	22137-080000	WASHER 8, POLISHED	2	2	2	2	2				
27	1	23871-030000	PLUG PT3/8, SCREW	1	1	1	1	1				

Fig. 34. FUEL INJECTION PUMP



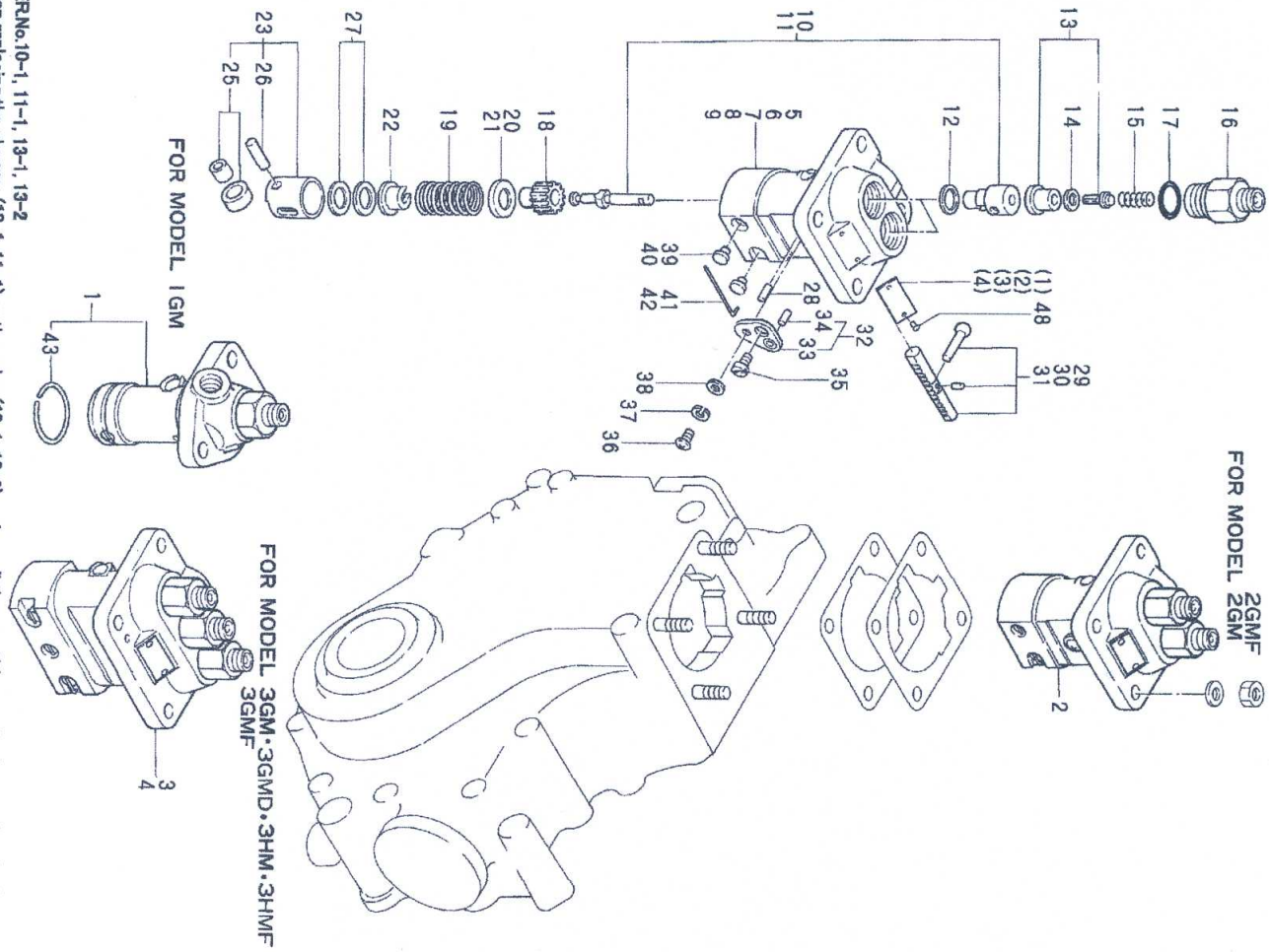
REF.	LEV.	PARTS NO.	DESCRIPTION	(A)	(B)	(C)	(D)	(E)	(F)	QTY	I	R
36	2	22137-050000	WASHER 5, POLISHED									
39	2	104271-51450	PIECE, GUIDE	1	1	2	2	2	2			
40	2	124950-51450	PIECE, GUIDE		2	3	3	3	3			
41	2	174307-51460	PIN		1							
42	2	121150-51460	PIN			1	1	1	1			
43	2	104271-51460	CIRCLIP	1								
48	2	124220-51890	RIVET, LABEL		2	2	2	2	2			

(A)=1GM  
(B)=2GM(F)  
(C)=3GM(F)  
(D)=3GMD  
(E)=3HM  
(F)=3HMF

34. FUEL INJECTION PUMP

REFER.No.10-1, 11-1, 13-1, 13-2  
 1. When replacing the plunger (10-1, 11-1) or the valve (13-1, 13-2) replace all the quantities required per engine simultaneously with new ones.  
 2. New type pump assembly has been supplied since 1981. July.  
 3. Applicable engine numbers: 1GM 02350~, 2GM 02252~, 3GMD 01615~, 3HM 00891~, 3HMF 00023~)

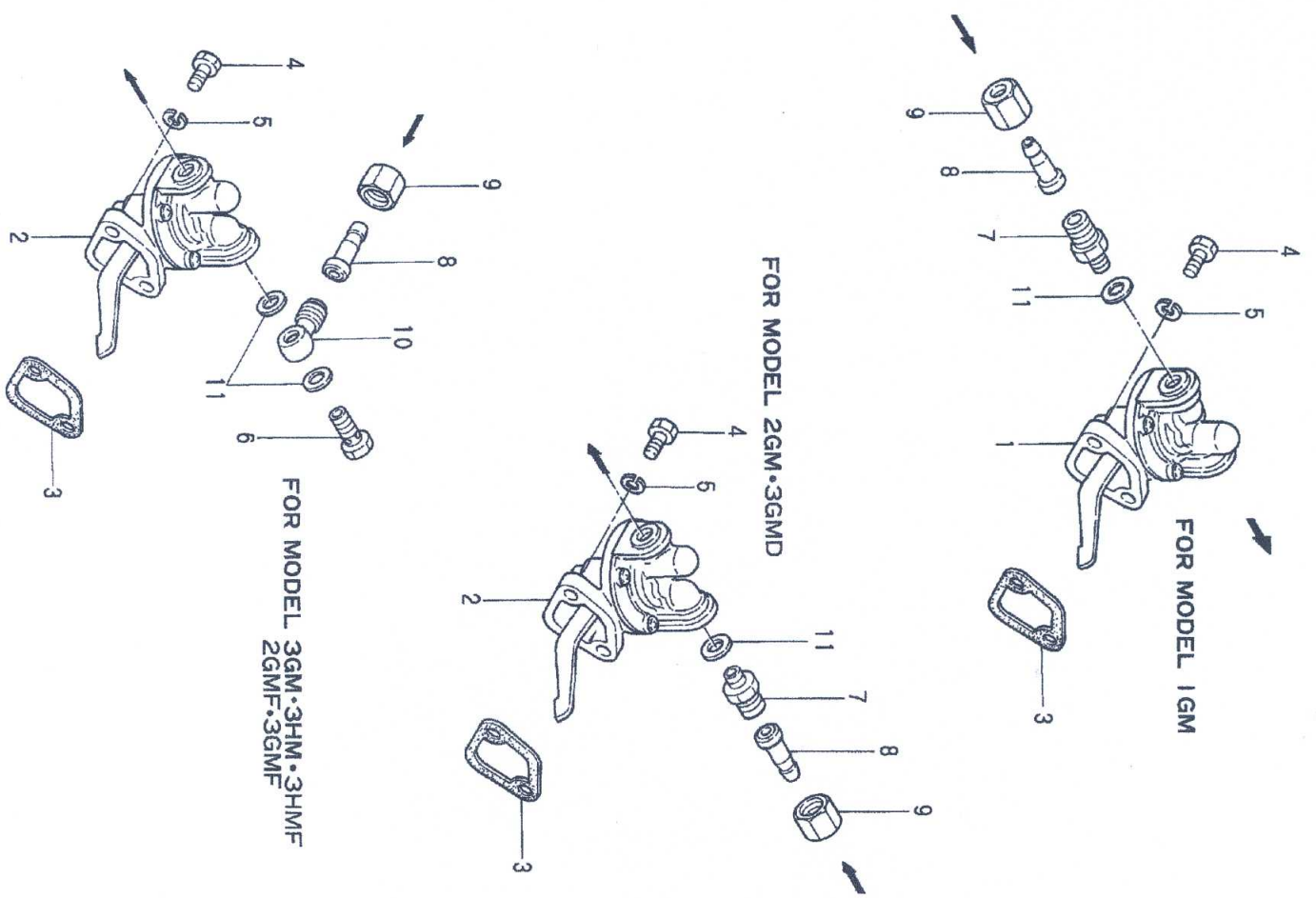
Fig. 34. FUEL INJECTION PUMP



REFER.No. 10-1, 11-1, 13-1, 13-2  
 1. When replacing the plunger (10-1, 11-1) or the valve (13-1, 13-2) replace all the quantities required per engine simultaneously with new ones.  
 2. New type pump assembly has been supplied since 1981, July.  
 3. Applicable engine numbers: 1GM 02350~, 2GM 02252~, 3GMD 01615~, 3HM 00991~, 3HMF 00023~)

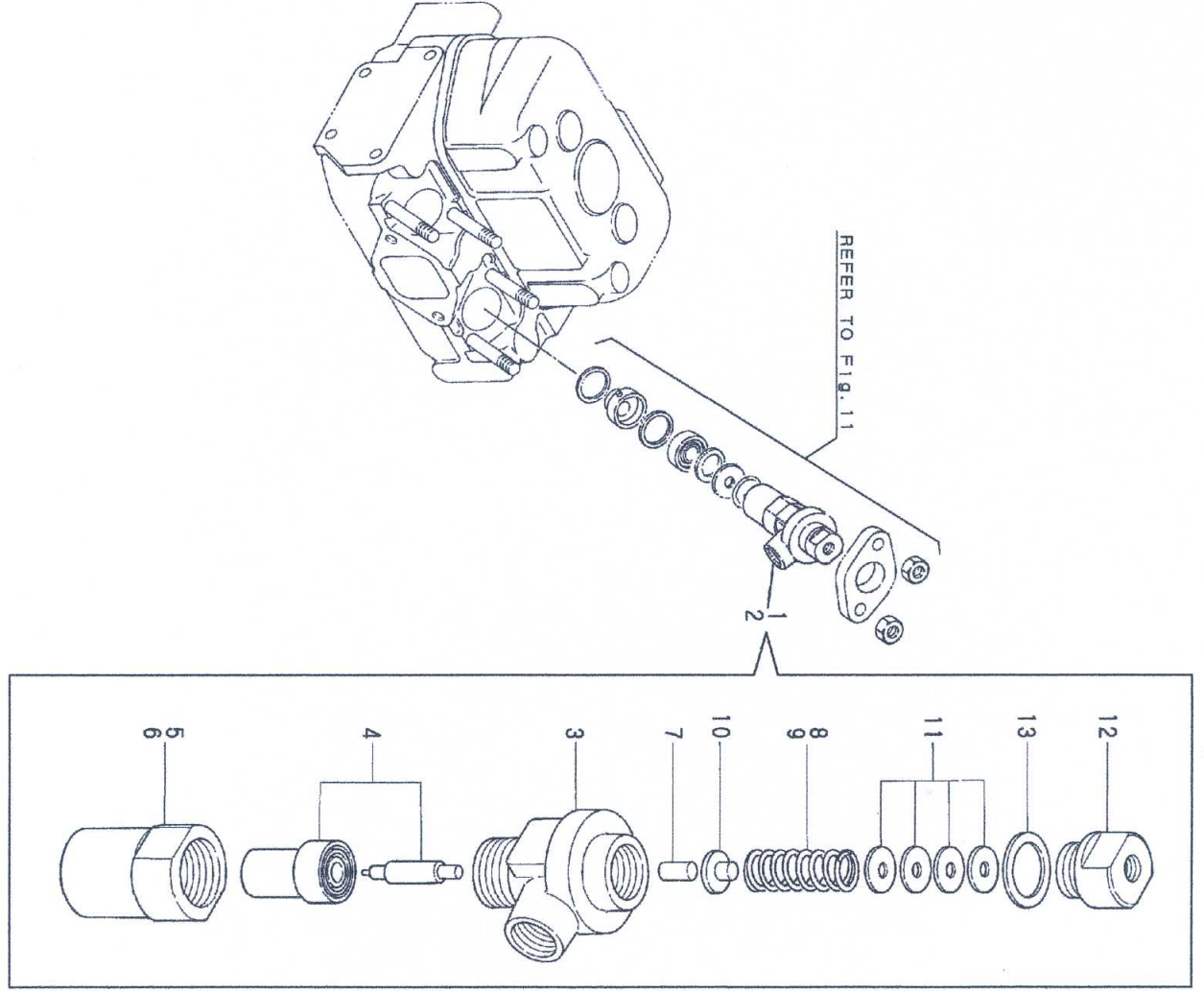
REF.	LEV.	PARTS NO.	DESCRIPTION	(A)	(B)	(C)	(D)	(E)	(F)	QTY	I	R
1	1	728170-51700	PUMP ASSY, F. INJECT	1								
1-1	1	728170-51101	PUMP ASSY, F. INJECT	1								
		(A=E#02350)										
2	1	728270-51700	PUMP ASSY, F. INJECT	1								
2-1	1	728270-51101	PUMP ASSY, F. INJECT	1								
		(B=E#02252)										
3	1	728370-51700	PUMP ASSY, F. INJECT	1								
3-1	1	728370-51101	PUMP ASSY, F. INJECT.	1								
		(C=*1981.07)										
4	1	721575-51700	PUMP ASSY, F. INJECT	1								
4-1	1	728696-51100	PUMP ASSY, F. INJECT.	1								
		(D=E#01615)										
5	2	128170-51010	BODY, FUEL I. PUMP	1								
6	2	124950-51010	BODY, FUEL I. PUMP	1								
7	2	128370-51010	BODY, FUEL I. PUMP	1								
8	2	121450-51010	BODY, FUEL I. PUMP	1								
9	2	128370-51010	BODY, FUEL I. PUMP	1								
10	2	128170-51100	PLUNGER W/BARREL	1								
10-1	2	128170-51101	PLUNGER W/BARREL	1								
		(A=E#02350)										
		(B=E#02252)										
11	2	121575-51100	PLUNGER W/BARREL	1								
11-1	2	128696-51100	PLUNGER W/BARREL	1								
12	2	124950-51270	GASKET	1								
13	2	124060-51300	VALVE W/SEAT, DELIV.	1								
13-1	2	128170-51300	VALVE W/SEAT, DELIV.	1								
		(A=E#02350)										
		(B=E#02252)										
		(C=*1981.07)										
13-2	2	128696-51300	VALVE W/SEAT, DELIV.	1								
		(D=E#01615)										
14	2	124550-51350	GASKET, DELIVERY	1								
15	2	124550-51320	SPRING, DELIV. VALVE	1								
16	2	124550-51341	RETAINER	1								
17	2	124550-51370	O-RING, DELIVERY	1								
18	2	124950-51510	PISTON	1								
19	2	124950-51190	SPRING, PLUNGER	1								
20	2	124950-51170	RETAINER A	1								
21	2	174307-51170	RETAINER A	1								
22	2	174307-51181	RETAINER B	1								
23	2	724550-51520	GUIDE, PLUNGER	1								
25	3	711100-51540	ROLLER ASSY	1								
26	2	174100-54120	PIN, ROLLER	1								
27	2	174307-51700	SHIM SET	1								
28	2	103854-51251	PIN, PLUNGER	1								
29	2	128170-51500	RACK, CONTROL	1								
30	2	124085-51500	RACK, CONTROL	1								
31	2	121450-51640	RACK, CONTROL	1								
32	2	124950-51640	SHIM SET, CONTROL	1								
33	3	124950-51650	PLATE	1								
34	3	124950-51670	PIN	1								
35	2	103854-51660	SCREW	1								
36	2	26587-050122	SCREW M 5X 12	1								
36-1	2	26587-050102	SCREW M 5X 10	1								
		(B=E#XXX)										
		(C=E#XXX)										
37	2	22217-050000	SPRING WASHER 5	1								
		(D=E#XXX)										
		(E=E#00991)										
		(F=E#00023)										

Fig.35.FUEL FEED PUMP



REF.	LEV.	PARTS NO.	DESCRIPTION	(A)	(B)	(C)	(D)	(E)	(F)	QTY	I	R
1	1	105582-52010	PUMP ASSY, FUEL FEED	1								
2	1	121256-52020	PUMP ASSY, FUEL FEED	1	1	1	1	1	1			
3	1	121400-01850	GASKET, F.FEED PUMP	1	1	1	1	1	1			
3-1	1	121520-01850	GASKET, F.FEED PUMP	1	1	1	1	1	1			R
		(A=*1981 01)										
		(B=*1981 01)										
		(C=*1981 01)										
4	1	26116-060162	BOLT 6X16	2	2	2	2	2	2			
5	1	22217-060000	SPRING WASHER 6	2	2	2	2	2	2			
6	1	105582-59150	BOLT, PIPE JOINT	1	1	1	1	1	1			
7	1	124772-59650	UNION	1	1	1	1	1	1			
8	1	124772-59660	JOINT	1	1	1	1	1	1			
9	1	124772-59670	CAP NUT	1	1	1	1	1	1			
10	1	128370-59650	JOINT, PIPE	1	1	1	1	1	1			
11	1	23414-080000	GASKET 8, ROUND	1	1	1	2	1	2			

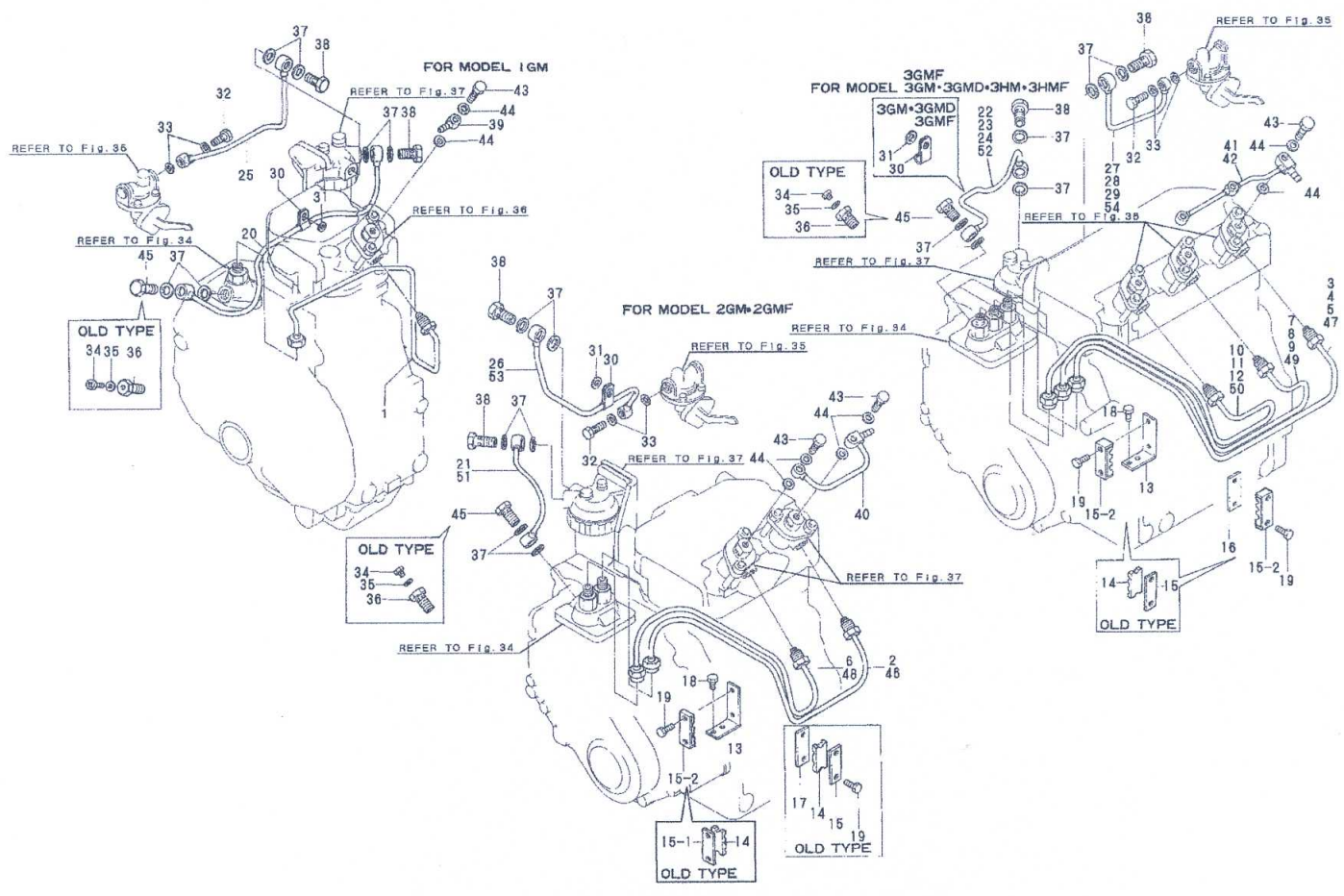
(A)=1GM  
(B)=2GM(F)  
(C)=3GM(F)  
(D)=3GMD  
(E)=3HM  
(F)=3HMF



REF.	LEV.	PARTS NO.	DESCRIPTION	(A)	(B)	(C)	(D)	(E)	(F)	QTY	I	R
1	1	728170-53100	VALVE ASSY, F. INJECT	1	2	3	3	3	3			
2	1	724060-53101	VALVE ASSY, F. INJECT	1	2	3	3	3	3			
3	2	103854-53100	BODY, F.I. VALVE	1	2	3	3	3	3			
4	2	124770-53000	NOZZLE ASSY, F. INJECT	1	2	3	3	3	3			
5	2	128170-53080	HOLDER, VALVE W/CASE	1	2	3	3	3	3			
6	2	104200-53080	HOLDER, VALVE W/CASE	1	2	3	3	3	3			
7	2	113200-53110	SPINDLE, INTER	1	2	3	3	3	3			
8	2	104211-53120	SPRING, NOZZLE	1	2	3	3	3	3			
9	2	103854-53120	SPRING, NOZZLE	1	2	3	3	3	3			
9-1	2	104211-53120	SPRING, NOZZLE									R
10	2	113200-53120	SHOE, SPRING	1	2	3	3	3	3			
11	2	110250-53150	SHIM SET	1	2	3	3	3	3			
12	2	103854-53180	RETAINER, NOZ. SPRING	1	2	3	3	3	3			
13	2	172100-53200	GASKET	1	2	3	3	3	3			

(A)=1GM  
 (B)=2GM(F)  
 (C)=3GM(F)  
 (D)=3GMD  
 (E)=3HM  
 (F)=3HMF

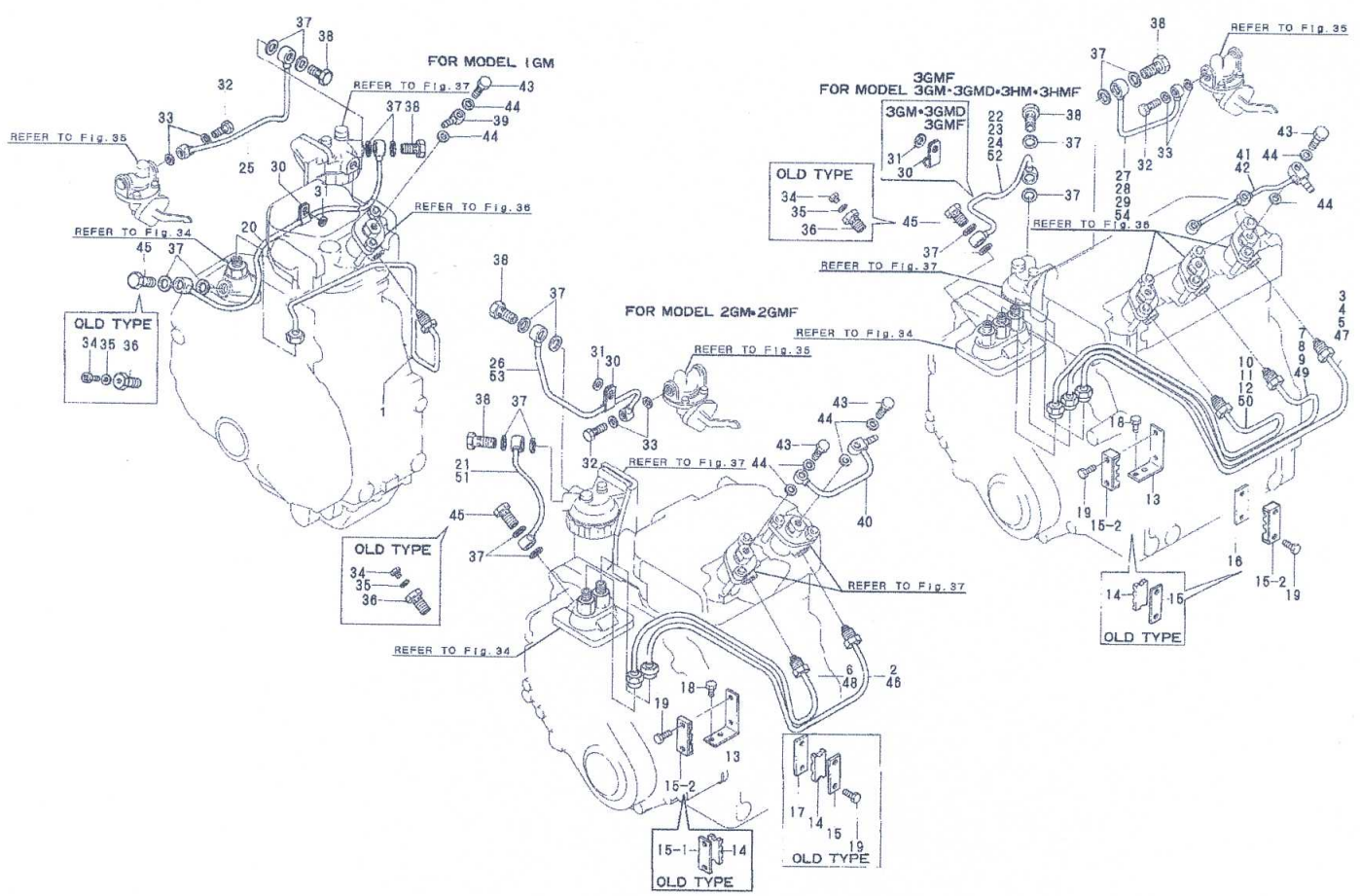




REF.	LEV.	PARTS NO.	DESCRIPTION	QTY					
				(A)	(B)	(C)	(D)	(E)	(F)
44	1	23414-080000	GASKET 8, ROUND						
45	1	103854-59191	BOLT W/PLUG & SEAL (C=E-XXXX)						
		(B=E-XXXX)							
46	1	128290-59810	PIPE (1), F. INJECT.						
47	1	128390-59810	PIPE (1), F. INJECT.						
48	1	128290-59820	PIPE (2), F. INJECT.						
49	1	128390-59820	PIPE (2), F. INJECT.						
50	1	128390-59830	PIPE (3), F. INJECT.						
51	1	128290-59010	PIPE (A) ASSY, FUEL						
52	1	128390-59010	PIPE (A) ASSY, FUEL						
53	1	128290-59080	PIPE (B), FUEL						
54	1	128390-59080	PIPE, FUEL OIL						

Y00R0902 38.FUEL PIPE

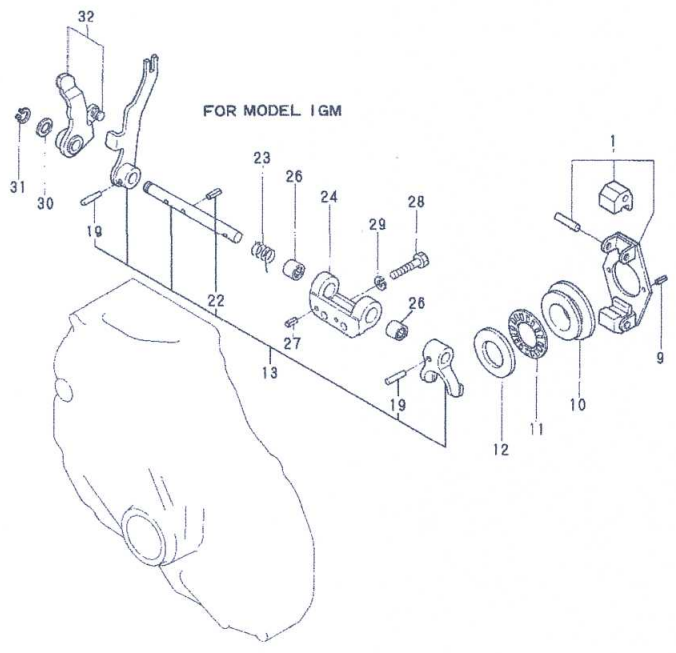
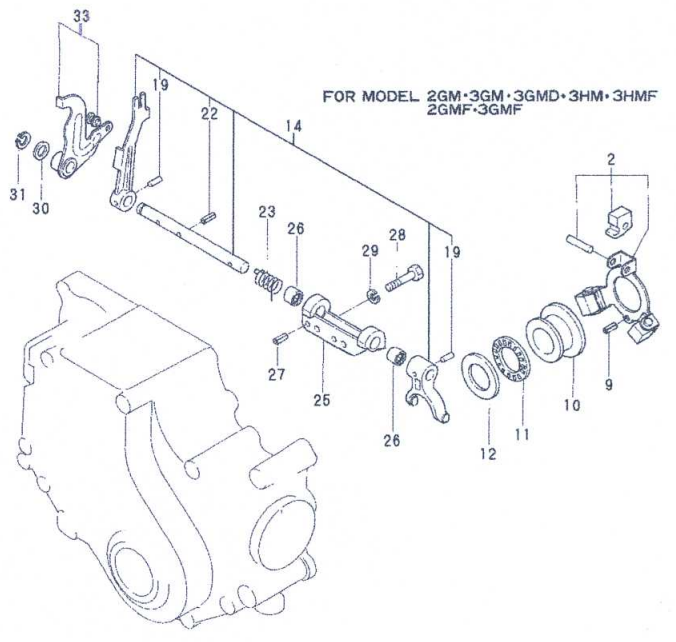
(A)=1GM  
(B)=2GM(F)  
(C)=3GM(F)  
(D)=3GMD  
(E)=3HM  
(F)=3HMF



REF.	LEV.	PARTS NO.	DESCRIPTION	QTY	(A)	(B)	(C)	(D)	(E)	(F)	I	R
1	1	128170-59810	PIPE (A), F. INJECT.	1								
2	1	128270-59810	PIPE (A), F. INJECT.	1								
3	1	128370-59810	PIPE (A), F. INJECT.	1								
4	1	121550-59810	PIPE (A), F. INJECT.	1								
5	1	128695-59810	PIPE (1), F. INJECT.	1								
6	1	128270-59820	PIPE (B), F. INJECT.	1								
7	1	128370-59820	PIPE (B), F. INJECT.	1								
8	1	121550-59820	PIPE (B), F. INJECT.	1								
9	1	128695-59820	PIPE (2), F. INJECT.	1								
10	1	128370-59830	PIPE (C), F. INJECT.	1								
11	1	121550-59830	PIPE (C), F. INJECT.	1								
12	1	128695-59830	PIPE (3), F. INJECT.	1								
13	1	121450-59850	BRACKET (A)	1								
14	1	123325-59100	RETAINER	1								
15	1	123325-59110	COVER	1								
15-1	1	122780-59100	RETAINER	1								
15-2	1	123372-59100	CLAMP	1								
16	1	121250-59860	RETAINER (B)	1								
17	1	121250-59860	RETAINER (B)	1								
18	1	26116-060102	BOLT M 6X 10 PLATED	2								
19	1	26116-060162	BOLT 6X16	4								
19-1	1	26116-060162	BOLT 6X16	2								
20	1	128170-59910	PIPE (A) ASSY, FUEL	1								
21	1	128270-59910	PIPE (A) ASSY, FUEL	1								
22	1	128370-59910	PIPE (A) ASSY, FUEL	1								
23	1	128670-59910	PIPE (A) ASSY, FUEL	1								
24	1	128690-59910	PIPE (A) ASSY, FUEL	1								
25	1	128170-59980	PIPE (B), FUEL OIL	1								
26	1	128270-59980	PIPE (B), FUEL OIL	1								
27	1	128370-59980	PIPE (B), FUEL OIL	1								
28	1	128670-59980	PIPE (B), FUEL OIL	1								
29	1	128690-59980	PIPE	1								
30	1	124450-39240	RETAINER, PIPE	1								
31	1	22117-08000	WASHER 8	1								
32	1	105582-59150	BOLT, PIPE JOINT	1								
33	1	23414-08000	GASKET 8, ROUND	2								
34	1	124060-59380	PLUG	1								
35	1	180110-51910	GASKET, PLUG	1								
36	1	103854-59200	BOLT 12, PIPE JOINT	1								
37	1	23414-12000	GASKET 12, ROUND	6								
38	1	23857-06000	JOINT BOLT 6	2								
39	1	104284-59030	JOINT 8, PIPE	2								
40	1	105311-59500	PIPE, FUEL RETURN	1								
41	1	128370-59500	PIPE, FUEL RETURN	1								
42	1	121575-59500	PIPE, FUEL RETURN	1								
43	1	101147-59810	BOLT 8, PIPE JOINT	1								

++ CONTINUE ++

(A)=1GM  
(B)=2GM(F)  
(C)=3GM(F)  
(D)=3GMD  
(E)=3HM  
(F)=3HMF



REF.	LEV.	PARTS NO.	DESCRIPTION	(A)	(B)	(C)	(D)	(E)	(F)	QTY	I	R
1	1	128170-61100	SUPPORT ASSY, GOV.	1	1	1	1	1	1	1		
2	1	721575-61520	SUPPORT ASSY, GOV.	1	1	1	1	1	1	1		
9	1	22351-040008	SPRING PIN 4X 8	2	1	1	1	1	1	1		
10	1	121000-61600	SLEEVE, GOVERNOR	1	1	1	1	1	1	1		
11	1	121575-61710	NEEDLE BEARING	1	1	1	1	1	1	1		
12	1	121575-61720	COLLAR, BEARING	1	1	1	1	1	1	1		
13	1	728170-61560	LEVER ASSY, GOV.	1	1	1	1	1	1	1		
14	1	721500-61560	LEVER ASSY, GOVERNOR	1	1	1	1	1	1	1		
19	2	22322-030200	TAPER PIN 3X20	2	2	2	2	2	2	2		
22	2	22351-030012	SPRING PIN 3X12	1	1	1	1	1	1	1		
23	1	121575-66310	SPRING, STARTING	1	1	1	1	1	1	1		
24	1	128170-61620	BRACKET	1	1	1	1	1	1	1		
25	1	121575-61620	SUPPORT	1	1	1	1	1	1	1		
26	1	122410-61650	BEARING, NEEDLE	2	2	2	2	2	2	2		
27	1	22351-040008	SPRING PIN 4X 8	2	2	2	2	2	2	2		
28	1	26116-060302	BOLT M 6X 30 PLATED	2	2	2	2	2	2	2		
29	1	22217-060000	SPRING WASHER 6	2	2	2	2	2	2	2		
30	1	104211-42130	SPACER	1	1	1	1	1	1	1		
31	1	22242-000100	CIRCLIP 10	1	1	1	1	1	1	1		
32	1	128170-61160	LEVER ASSY, CONTROL	1	1	1	1	1	1	1		
33	1	121575-61160	LEVER ASSY, CONTROL	1	1	1	1	1	1	1		

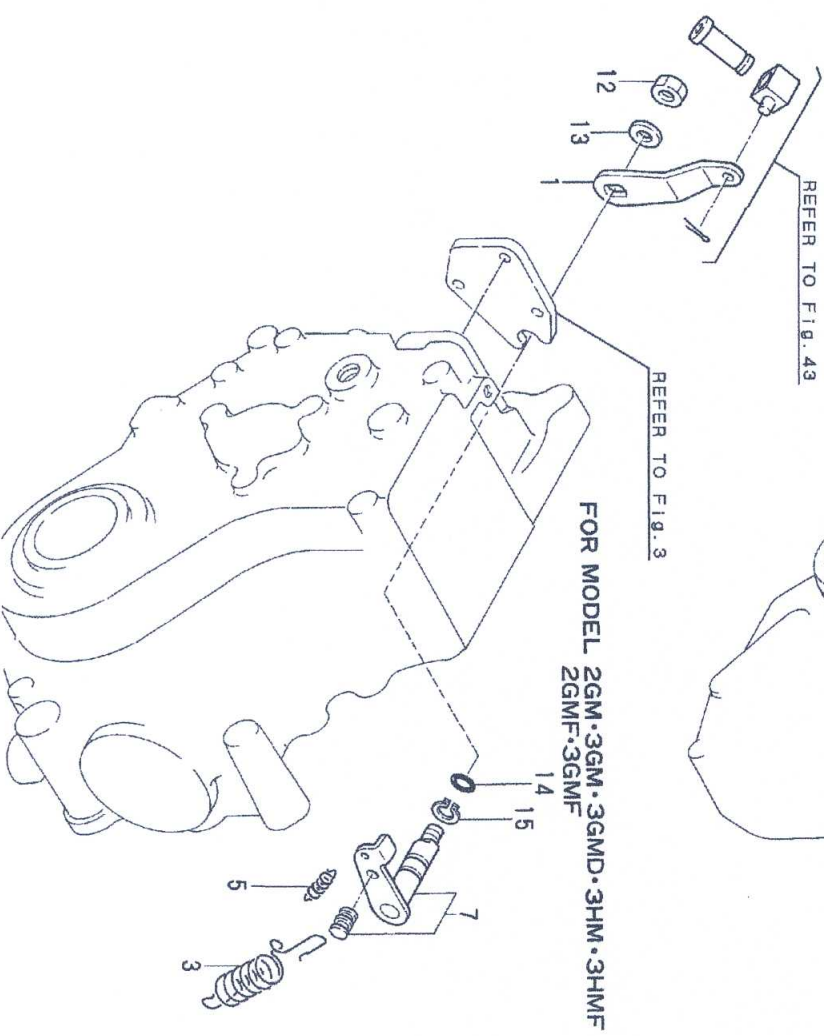
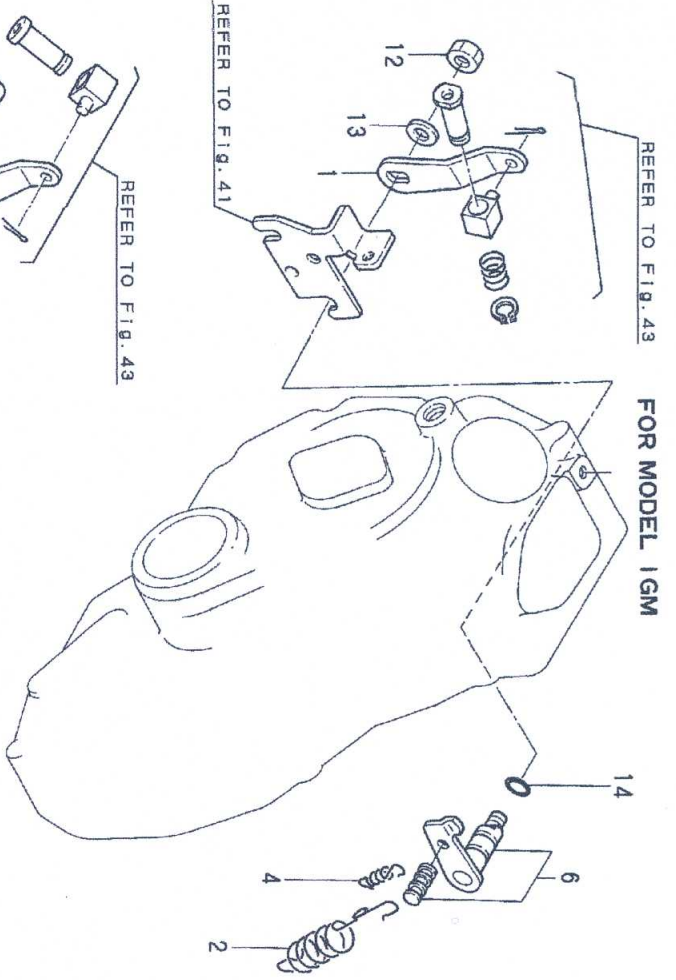
(A)=1GM  
(B)=2GM(F)  
(C)=3GM(F)  
(D)=3GMD  
(E)=3HM  
(F)=3HMF

Fig.40.REGULATOR LINKS

40.REGULATOR LINKS

(A)=1GM  
(B)=2GM(F)  
(C)=3GM(F)

(D)=3GMD  
(E)=3HM  
(F)=3HMF

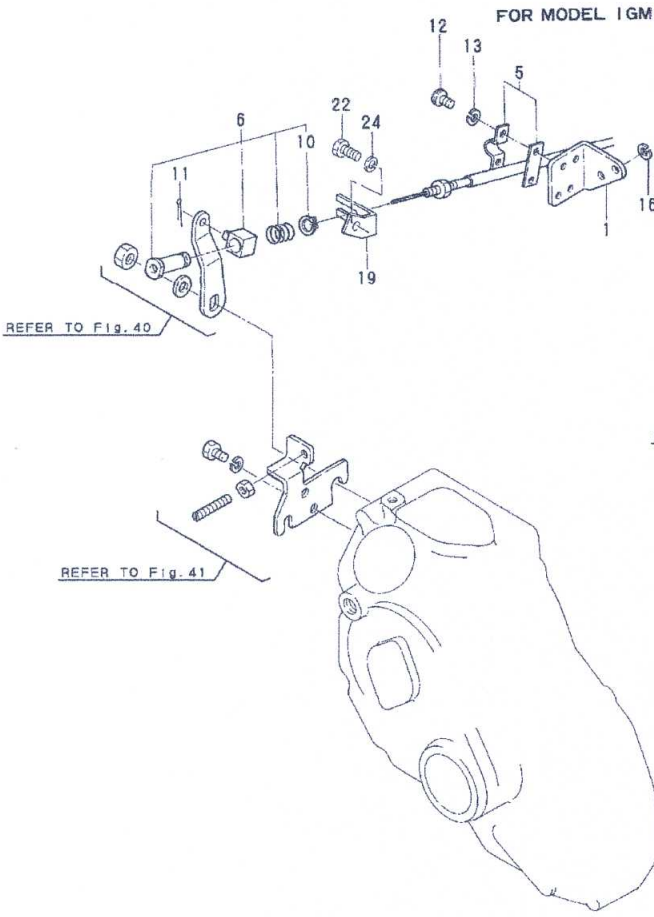
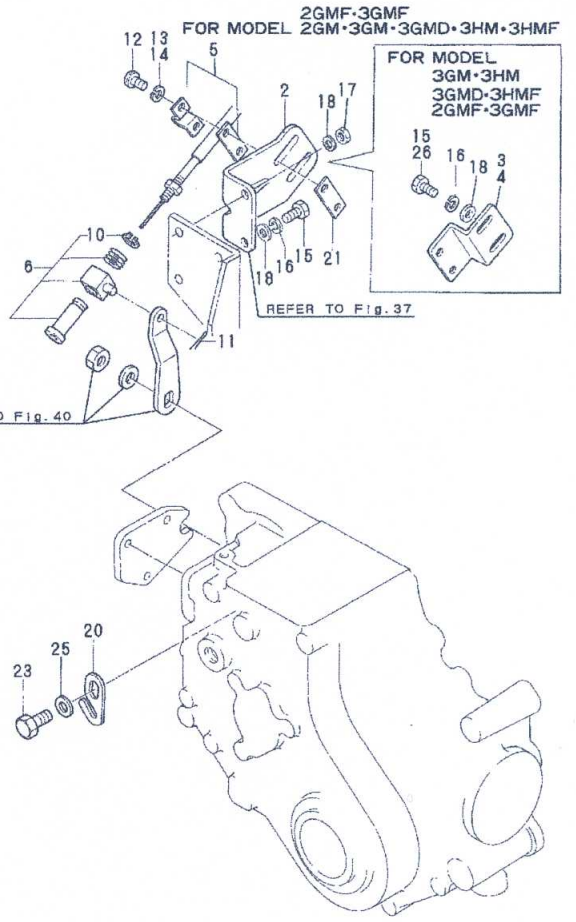


REF.	LEV.	PARTS NO.	DESCRIPTION	(A)	(B)	(C)	(D)	(E)	(F)	QTY	1	R
1	1	121575-66051	HANDLE, REGULATOR	1	1	1	1	1	1			
2	1	128170-66010	SPRING, REGULATOR	1	1	1	1	1	1			
3	1	128270-66010	SPRING, REGULATOR	1	1	1	1	1	1			
4	1	128170-66200	SPRING, REGULATOR			1						
5	1	128270-66200	SPRING, REGULATOR			1						
5-1	1	121575-66200	SPRING, REGULATOR			1						R
		(B=#00019)	(C=#00012)									
6	1	128170-66090	LEVER ASSY, REGULAT	1	1	1	1	1	1			
7	1	121000-66090	LEVER ASSY, REGULAT									
12	1	26716-080002	NUT M8	1	1	1	1	1	1			
13	1	22117-080000	WASHER 8	1	1	1	1	1	1			
14	1	24311-400090	O-RING 1A-P-9.0	1	1	1	1	1	1			
15	1	22242-000120	CIRCLIP 12	1	1	1	1	1	1			

Fig.43. SPEED REMOTE CONTROL

43. SPEED REMOTE CONTROL

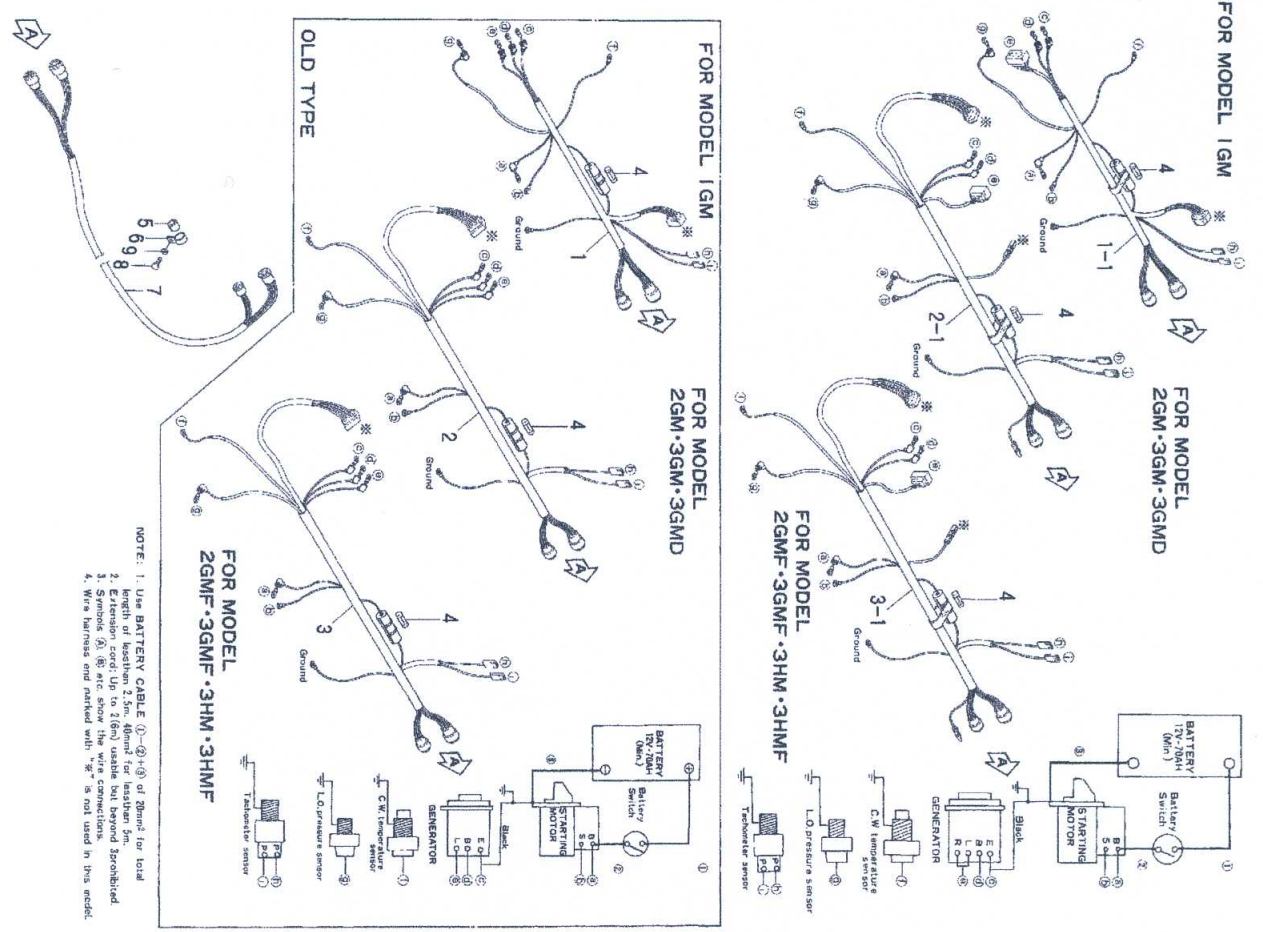
(A)=1GM  
(B)=2GM(F)  
(C)=3GM(F)  
(D)=3GMD  
(E)=3HM  
(F)=3HMF



REF.	LEV.	PARTS NO.	DESCRIPTION	(A)	(B)	(C)	(D)	(E)	(F)	QTY	I	R
1	1	128170-67100	BRACKET, CABLE		1							
2	1	128270-67100	BRACKET, CABLE		1							
3	1	105311-67100	BRACKET, CABLE		1	1	1	1	1			
4	1	128695-67100	BRACKET, CABLE									
5	1	41710-000410	CLAMP		1	1	1	1	1			
6	1	105311-67200	RETAINER, JOINT		1	1	1	1	1			
10	2	22242-000100	CIRCLIP 10		1	1	1	1	1			
11	1	22414-250150	COTTER PIN 2.5X15		1	1	1	1	1			
12	1	26557-050122	SCREW M 5X 12		2	2	2	2	2			
12-1	1	26557-050102	SCREW M 5X 10					2	2		R	
13	1	22217-050000	SPRING WASHER 5		2			2	2			
14	1	22217-050000	SPRING WASHER 5		2	2					Z	
15	1	26116-060142	BOLT M 6X 14		2	1	2					
15-1	1	26116-060122	BOLT 6X12		1	1	2					R
16	1	22217-060000	SPRING WASHER 6		2	2	2	2	2			
17	1	26716-060002	NUT 6		1							
18	1	22137-060000	WASHER 6, POLISHED		2	2	2	2	2			
19	1	128170-67580	BRACKET, CABLE		1							
20	1	121575-67580	BRACKET, CABLE		1	1	1	1	1			
21	1	121574-86320	RETAINER		1							
22	1	26116-060102	BOLT M 6X 10 PLATED		1							
23	1	26116-080142	BOLT 8X14		1	1	1	1	1			
24	1	22217-060000	SPRING WASHER 6		1							
25	1	22137-080000	WASHER 8, POLISHED		1	1	1	1	1			
26	1	26116-060122	BOLT 6X12		2							1

Remarks  
(1) 2GMF

Fig. 52. WIRE HARNESS

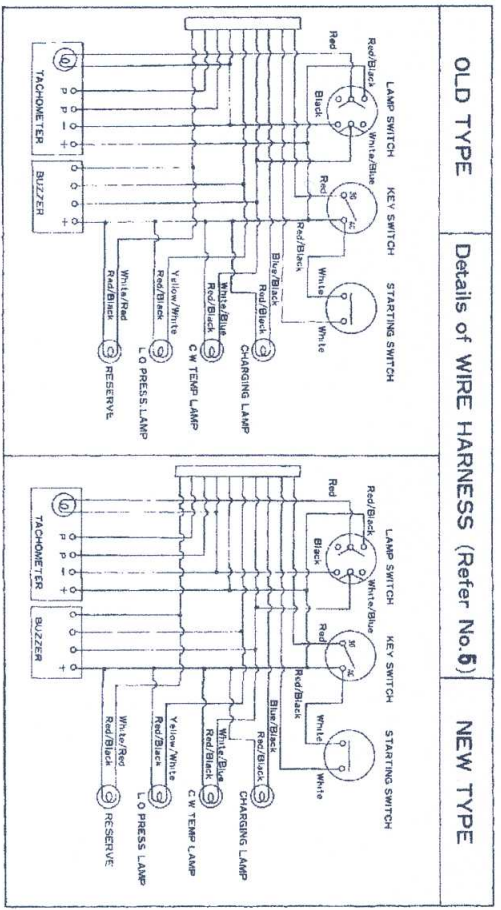
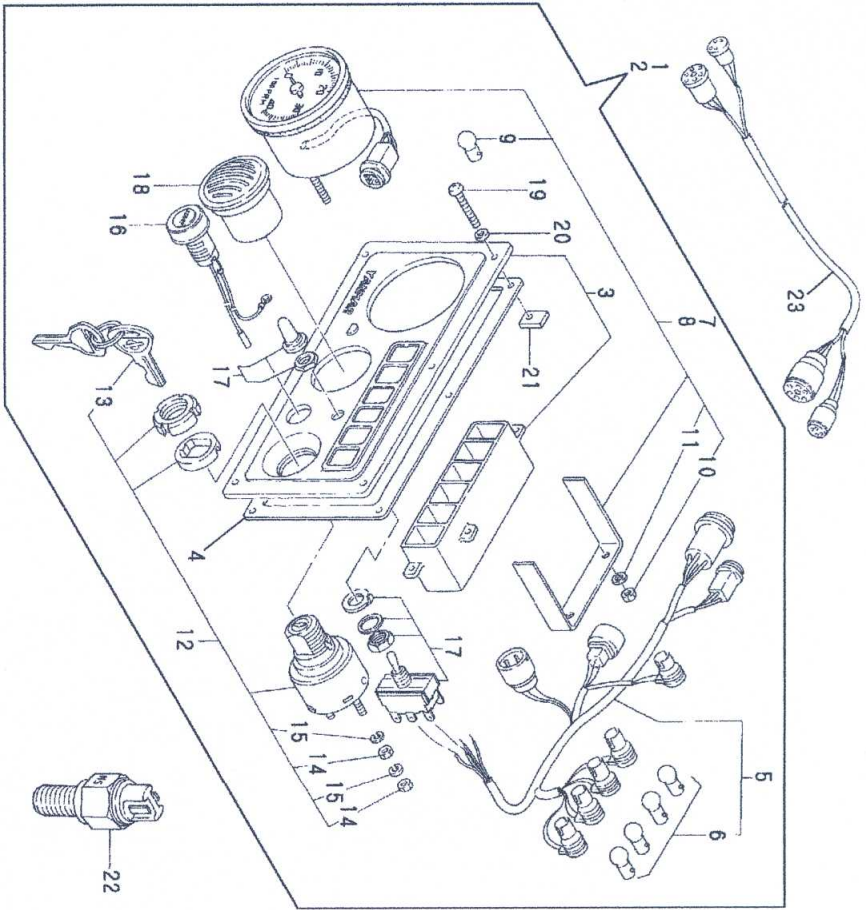


REF.	LEV.	PARTS NO.	DESCRIPTION	(A)	(B)	(C)	(D)	(E)	(F)	QTY	I	R
1	1	128170-77920	HARNESS, WIRE	1								
1-1	1	128170-77921	HARNESS, WIRE	1								
		(A=E#03428)										
2	1	128270-77920	HARNESS, WIRE	1								
2-1	1	128270-77921	HARNESS, WIRE	1								
		(B=E#04808)										
		(C=E#02710)										
3	1	128670-77920	HARNESS, WIRE	1								
3-1	1	128270-77921	HARNESS, WIRE	1								
		(B=*1982.01)										
		(C=*1982.01)										
4	1	46150-003680	FUSE 30A	1								
5	1	124770-77940	PROTECTOR	1								
6	1	124070-77950	CLAMP	1								
7	1	128170-77500	HARNESS, WIRE	1								
8	1	26116-080162	BOLT 8X16	1								
9	1	22117-080000	WASHER 8	1								

NOTE: 1. Use BATTERY CABLE ①-③+④ of 25mm<sup>2</sup> for load length of least 2.5m, 40mm<sup>2</sup> for least 5m.  
 2. Extension cord Up to 2(m) usable but beyond Sprockthead.  
 3. Symbols (A), (B) etc. show the wire connections.  
 4. Wire harness and related with \* is not used in this model.

Remarks  
 (1) INTERCHANGEABLE BY SIMULTANEOUS REPLACEMENT WITH FIG.NO.47 REF.NO.1-3.

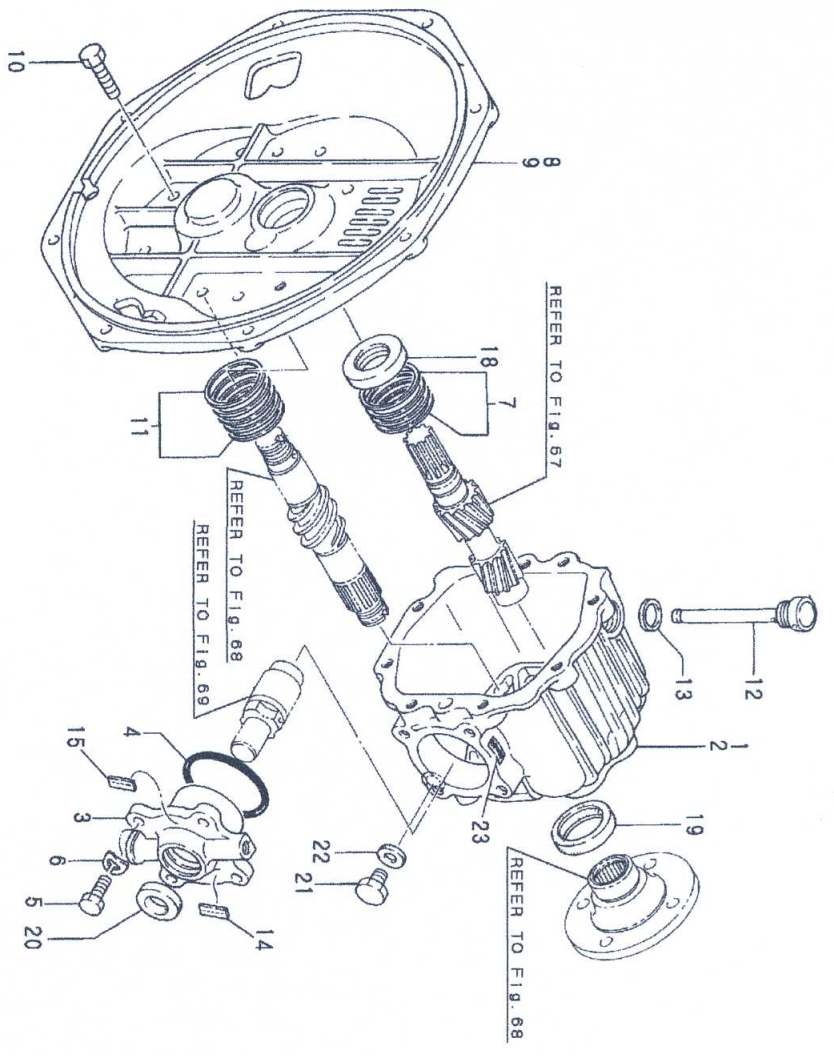
Fig.61. INSTRUMENT PANEL(M1 & M2-TYPE/-TYPE/OPTIONAL)



61. INSTRUMENT PANEL(M1 & M2-TYPE/-TYPE/OPTIONAL)

REF.	LEV.	PARTS NO.	DESCRIPTION	(A)	(B)	(C)	(D)	(E)	(F)	QTY	1	R
1	1	128170-91000	PANEL ASSY, INSTRUM	1	1	1	1	1	1	1		
1-1	1	128170-91001	PANEL ASSY, INSTRUM	1	1	1	1	1	1	1		
		(A=E)XXX	(B=E)XXX									
2	1	128670-91000	PANEL ASSY, INSTRUM	1	1	1	1	1	1	1		
2-1	1	128670-91001	PANEL ASSY, INSTRUM	1	1	1	1	1	1	1		
		(C=E)XXX	(D=E)XXX									
3	2	128170-91010	HOUSING, PANEL	1	1	1	1	1	1	1		
4	2	128170-91020	GASKET	1	1	1	1	1	1	1		
5	2	128170-91030	HARNES, WIRE	1	1	1	1	1	1	1		
5-1	2	128170-91031	HARNES, WIRE	1	1	1	1	1	1	1		
		(E=E)XXX	(F=E)XXX									
6	3	46150-001110	BULB(12V3W/G11,BA9S)	4	4	4	4	4	4	4		
7	2	128170-91100	TACHOMETER (P=97)	1	1	1	1	1	1	1		
8	2	128670-91100	TACHOMETER (P=114)	1	1	1	1	1	1	1		
9	3	46150-001110	BULB(12V3W/G11,BA9S)	1	1	1	1	1	1	1		
10	3	26716-050002	NUT M5	2	2	2	2	2	2	2		
11	3	22217-050000	SPRING WASHER 5	2	2	2	2	2	2	2		
12	2	124070-91250	SWITC W/KEY	1	1	1	1	1	1	1		
13	3	124070-91290	KEY, SWITCH	1	1	1	1	1	1	1		
14	3	26716-050002	NUT M5	1	1	1	1	1	1	1		
15	3	22217-050000	SPRING WASHER 5	1	1	1	1	1	1	1		
16	2	124070-91300	SWITC	1	1	1	1	1	1	1		
17	2	128170-91310	SWITC, LAMP	1	1	1	1	1	1	1		
18	2	104271-91351	BUZZER	1	1	1	1	1	1	1		
19	2	128170-91810	SCREW M5	6	6	6	6	6	6	6		
20	2	128170-91820	WASHER 5	6	6	6	6	6	6	6		
21	2	128170-91830	PLATE NUT M5	6	6	6	6	6	6	6		
22	1	128170-91160	SENSOR, TACHOMETER	1	1	1	1	1	1	1		
23	1	128170-77500	HARNES, WIRE	1	1	1	1	1	1	1		

Fig. 66. CLUTCH HOUSING



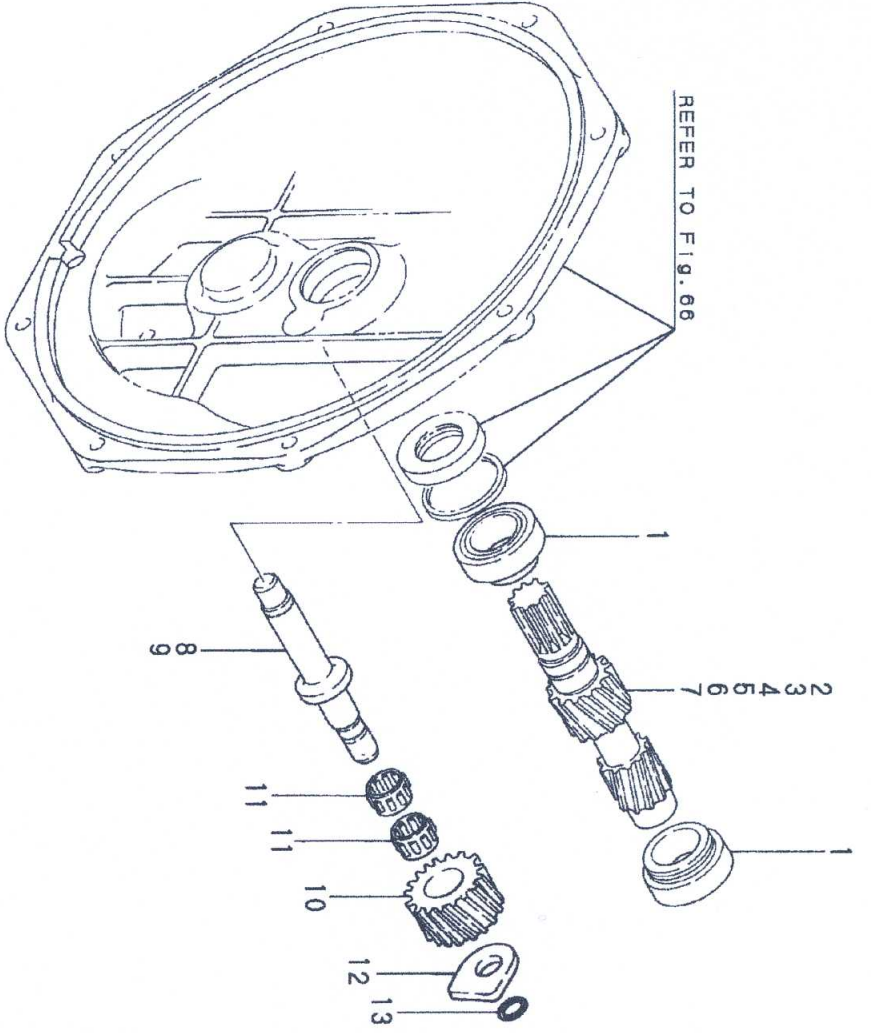
REF.	LEV.	PARTS NO.	DESCRIPTION	(A)	(B)	(C)	(D)	(E)	(F)	QTY	I	R
1	1	177088-02011	HOUSING, CLUTCH	1	1							
2	1	177070-02011	HOUSING, CLUTCH			1	1					
3	1	177088-02091	COVER, SIDE	1	1	1	1					
4	1	24341-000600	O-RING 1A-S-60.0	1	1	1	1					
5	1	26116-080202	BOLT M 8X 20 PLATED	4	4	4	4					
6	1	22287-080000	LOCKING WASHER	4	4	4	4					
7	1	177088-02360	SHIM SET	1	1	1	1					
8	1	177088-02032	FLANGE, CLUTCH	1	1	1	1					
9	1	177070-02031	FLANGE, CLUTCH	1	1	1	1					
10	1	26116-080252	BOLT M 8X 25 PLATED	8	8	8	8					
11	1	177090-02250	SHIM SET	1	1	1	1					
12	1	177088-02450	DIPSTICK	1	1	1	1					
13	1	23414-160021	GASKET 16	1	1	1	1					
14	1	177090-02620	LABEL	1	1	1	1					
15	1	170090-02630	LABEL	1	1	1	1					
18	1	177088-02950	SEAL SC25 40 8, OIL	1	1	1	1					
19	1	177088-02961	SEAL MHS34 44 8, OIL	1	1	1	1					
20	1	177088-02970	SEAL, OIL	1	1	1	1					
21	1	23883-100002	PLUG 10	1	1	1	1					
22	1	23414-100000	GASKET 10, ROUND	1	1	1	1					
23	1	177088-02430	LABEL	1	1	1	1					

Y00R0902 66. CLUTCH HOUSING

(A)=1GM  
(B)=2GM(F)  
(C)=3GM(F)  
(D)=3GMD  
(E)=3HM  
(F)=3HMF

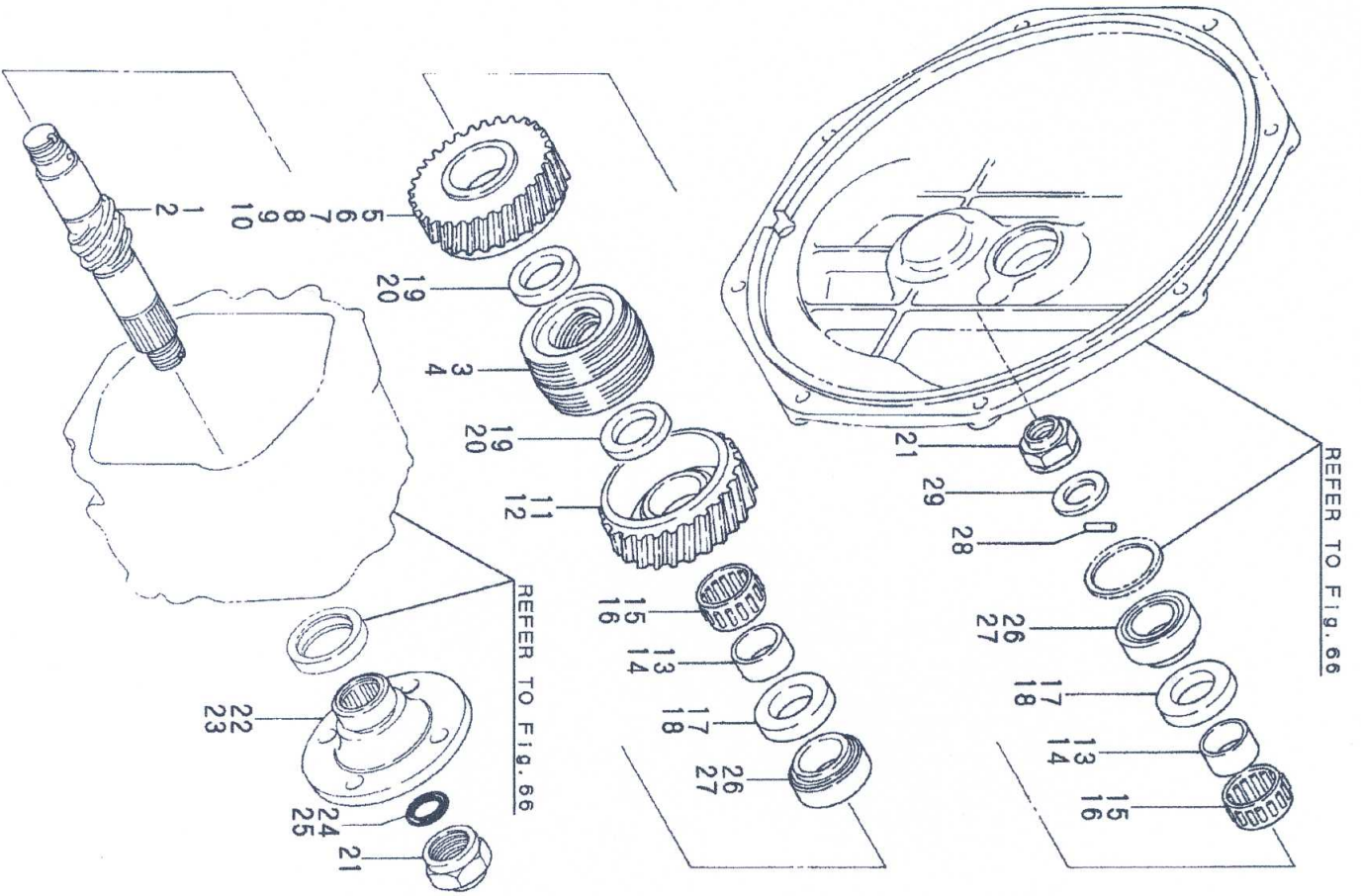


Fig.67.INPUT SHAFT & IDLE GEAR SHAFT



REF.	LEV.	PARTS NO.	DESCRIPTION	QTY						I	R
				(A)	(B)	(C)	(D)	(E)	(F)		
1	1	177088-03400	ROLLER BEARING		2	2	2	2			
2	1	177088-03030	SHAFT, INPUT	1	1						
3	1	177088-03011	SHAFT, INPUT	1	1						
4	1	177088-03020	SHAFT, INPUT			1					
5	1	177070-03030	SHAFT, INPUT				1				
6	1	177070-03010	SHAFT, INPUT					1			
7	1	177070-03020	SHAFT, INPUT						1		
8	1	177088-03301	SHAFT, REVERSE IDLE	1	1						
9	1	177070-03301	SHAFT, REVERSE IDLE								
10	1	177088-03311	GEAR (Z=26), IDLE	1	1						
11	1	177088-03331	NEEDLE BERG #K162213	2	2						
12	1	177088-03341	WASHER, THRUST	1	1						
13	1	24341-000120	O-RING 1A-S-12.0	1	1						

(A)=1GM  
(B)=2GM(F)  
(C)=3GMF  
(D)=3GMD  
(E)=3HM  
(F)=3HMF



REFER TO FIG. 66

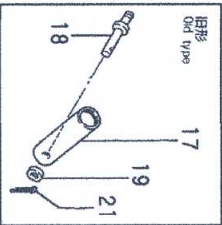
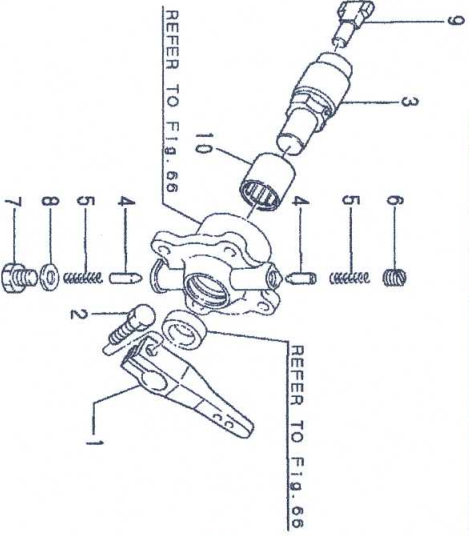
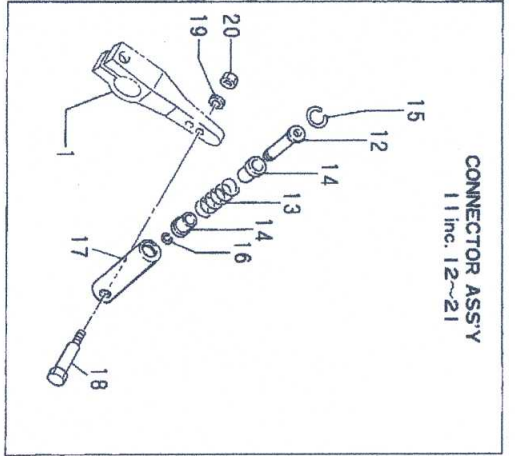
REFER TO FIG. 66

REF.	LEV.	PARTS NO.	DESCRIPTION	(A)	(B)	(C)	(D)	(E)	(F)
1	1	177088-03091	SHAFT, OUTPUT	1	1				
2	1	177070-03040	SHAFT, OUTPUT			1	1		
3	1	177088-03071	CONE, DRIVE			1	1		
4	1	177070-03070	CONE, DRIVE			1	1		
5	1	177088-03130	GEAR (Z=53)			1	1		
6	1	177088-03110	GEAR (Z=55)			1	1		
7	1	177088-03120	GEAR (Z=58)			1	1		
8	1	177070-03130	GEAR (Z=59), FORWARD			1	1		
9	1	177070-03111	GEAR (Z=60), REV.			1	1		
10	1	177070-03121	GEAR (Z=64), FORWARD			1	1		
11	1	177088-03110	GEAR (Z=55)			1	1		
12	1	177070-03111	GEAR (Z=60), REV.			1	1		
13	1	177088-03192	RACE, INNER			2	2		
14	1	177070-03190	RACE, BEARING INNER			2	2		
15	1	177088-03201	NEEDLE BERG #K303517			2	2		
16	1	177070-03200	NEEDLE BEARING			2	2		
17	1	177088-03232	COLLAR (A), THRUST			2	2		
18	1	177070-03230	COLLAR (A), THRUST			2	2		
19	1	177088-03252	COLLAR (B), THRUST			2	2		
20	1	177070-03250	COLLAR (B), THRUST			2	2		
21	1	177088-03272	NUT			2	2		
22	1	177088-03552	COUPLING, OUTPUT			1	1		
23	1	177070-03550	COUPLING, OUTPUT			1	1		
24	1	24311-000180	O-RING 1A P-18.0			1	1		
25	1	24311-000210	O-RING 1A P-21.0			1	1		
26	1	177088-03520	R BEARING07087/07204			2	2		
27	1	24141-302050	ROLLER BEARING			2	2		
28	1	177088-03290	PIN 4D-22L			1	1		
29	1	177088-03280	COLLAR 32D-45T			1	1		

(A)=1GM  
(B)=2GM(F)  
(C)=3GM(F)  
(D)=3GM(D)  
(E)=3HM  
(F)=3HMF

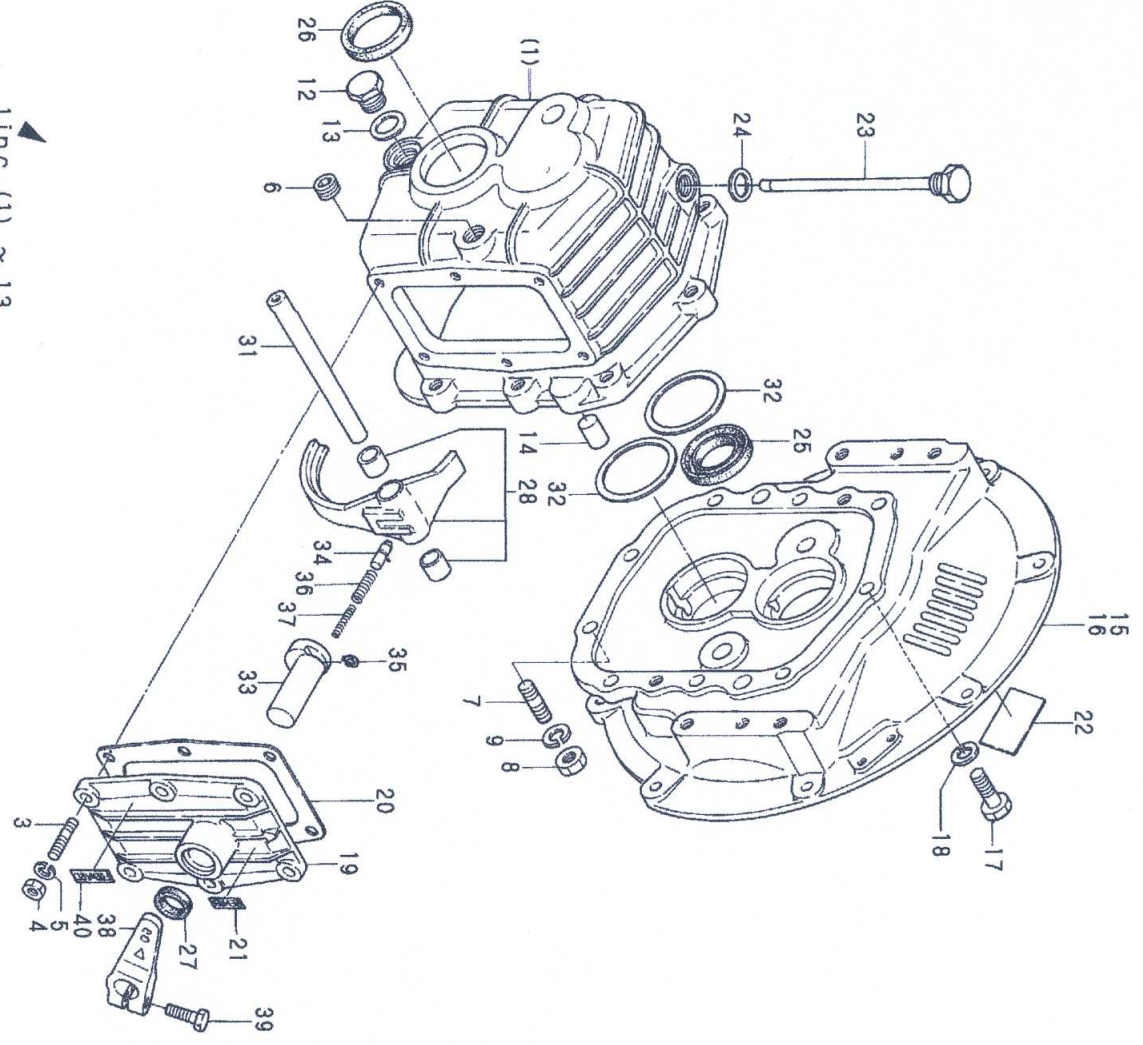
(A)=1GM  
(B)=2GM(F)  
(C)=3GM(F)

(D)=3GMD  
(E)=3HM  
(F)=3HMF



REF.	LEV.	PARTS NO.	DESCRIPTION	(A)	(B)	(C)	(D)	(E)	(F)	QTY	Z
1	1	177095-06040	LEVER	1	1	1	1				
2	1	26116-080252	BOLT M 8X 25 PLATED	1	1	1	1				
3	1	177088-06010	SHAFT	1	1	1	1				
4	1	177095-03190	PIN	2	2	2	2				
5	1	177088-06020	SPRING	2	2	2	2				
6	1	26911-100102	SCREW M10X10	1	1	1	1				
7	1	23883-100002	PLUG 10	1	1	1	1				
8	1	23414-100000	GASKET 10, ROUND	1	1	1	1				
9	1	177088-06050	SHIFTER	1	1	1	1				
10	1	177088-06070	NEEDLE BERG. #HK3026	1	1	1	1				
11	1	177088-06090	CONNECTOR ASSY	1	1	1	1				
12	2	177088-06120	CONNECTOR	1	1	1	1				
13	2	177088-06170	SPRING, SHIFT	1	1	1	1				
14	2	177088-06140	RETAINER, SPRING	2	2	2	2				
15	2	177088-06150	CIRCLIP	1	1	1	1				
16	2	177088-06160	CIRCLIP	1	1	1	1				
17	2	177088-06110	HOLDER	1	1	1	1				
18	2	177088-06100	CONNECTOR, HOLDER	1	1	1	1				
19	2	22117-060000	WASHER 6	2	2	2	2				
20	2	26756-060002	LOCK NUT 6	1	1	1	1				
21	2	22417-250150	PIN 2.5* 15	1	1	1	1				

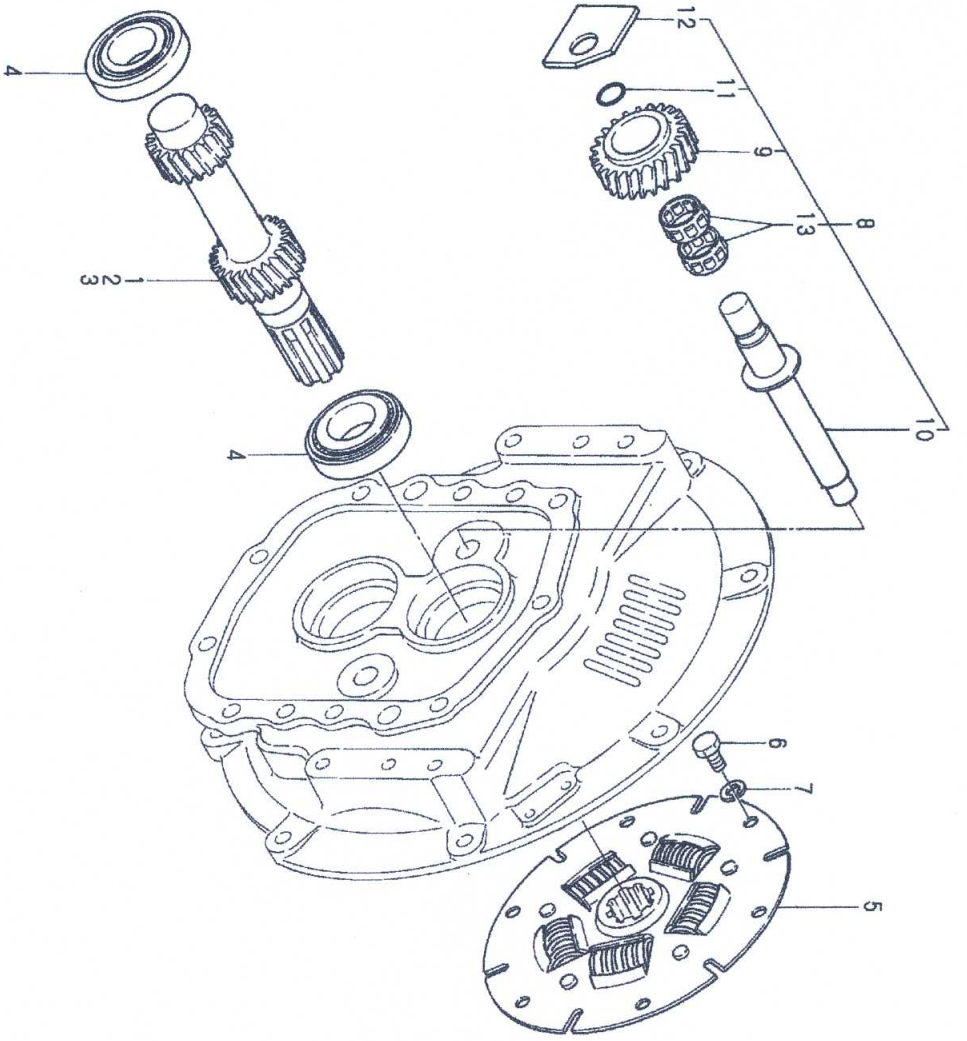
Fig. 70. CLUTCH HOUSING



70. CLUTCH HOUSING

REF.	LEV.	PARTS NO.	DESCRIPTION	(A)	(B)	(C)	(D)	(E)	(F)	QTY	I	R
1	1	777099-02550	HOUSING ASSY, CLUTCH	1	1	1	1	1	1			
3	2	26286-080222	STUD M 8X 22 PLATED	6	6	6	6	6	6			
4	2	26716-080002	NUT M 8	6	6	6	6	6	6			
5	2	22287-080000	LOCKING WASHER	6	6	6	6	6	6			
6	2	177099-06050	PLUG	1	1	1	1	1	1			
7	2	26223-100222	STUD M10X 22	4	4	4	4	4	4			
8	2	26713-100002	NUT, M10 (STENLES	4	4	4	4	4	4			
9	2	22133-100000	WASHER 10	4	4	4	4	4	4			
12	2	23883-160002	PLUG 16	1	1	1	1	1	1			
13	2	23414-160021	GASKET 16	1	1	1	1	1	1			
14	1	177099-02130	STRAIGHT PIN	2	2	2	2	2	2			
15	1	177094-02120	FLANGE, MOUNTING	1	1	1	1	1	1			
16	1	177080-02030	FLANGE, MOUNTING	1	1	1	1	1	1			
17	1	26116-100302	BOLT 10X30	5	5	5	5	5	5			
18	1	22287-100000	WASHER 10	5	5	5	5	5	5			
19	1	177099-02081	COVER, SIDE	1	1	1	1	1	1			
20	1	177099-02091	GASKET	1	1	1	1	1	1			
21	1	177090-02630	LABEL	1	1	1	1	1	1			
22	1	177095-02400	LABEL	1	1	1	1	1	1			
23	1	177099-02450	DIPSTICK W/BREATHER	1	1	1	1	1	1			
24	1	23414-160021	GASKET 16	1	1	1	1	1	1			
25	1	177099-02950	SEAL TC30 52 8, OIL	1	1	1	1	1	1			
26	1	177099-02960	SEAL TC40 52 8, OIL	1	1	1	1	1	1			
27	1	177095-02980	SEAL, OIL	1	1	1	1	1	1			
28	1	177099-06010	FORK ASSY, SHIFT	1	1	1	1	1	1			
31	1	177099-06041	SHAFT, SHIFT	1	1	1	1	1	1			
32	1	177099-02250	SHIM SET	2	2	2	2	2	2			
33	1	177095-06030	CAM, SHIFT	1	1	1	1	1	1			
34	1	177095-06050	PIN	1	1	1	1	1	1			
35	1	177095-06140	CIRCLIP	1	1	1	1	1	1			
36	1	177095-03200	SPRING	1	1	1	1	1	1			
37	1	177095-06060	SPRING	1	1	1	1	1	1			
38	1	177095-06040	LEVER	1	1	1	1	1	1			
39	1	26116-080252	BOLT M 8X 25 PLATED	1	1	1	1	1	1			
40	1	177090-02620	LABEL	1	1	1	1	1	1			

Fig. 71. INPUT SHAFT & IDLE GEAR SHAFT



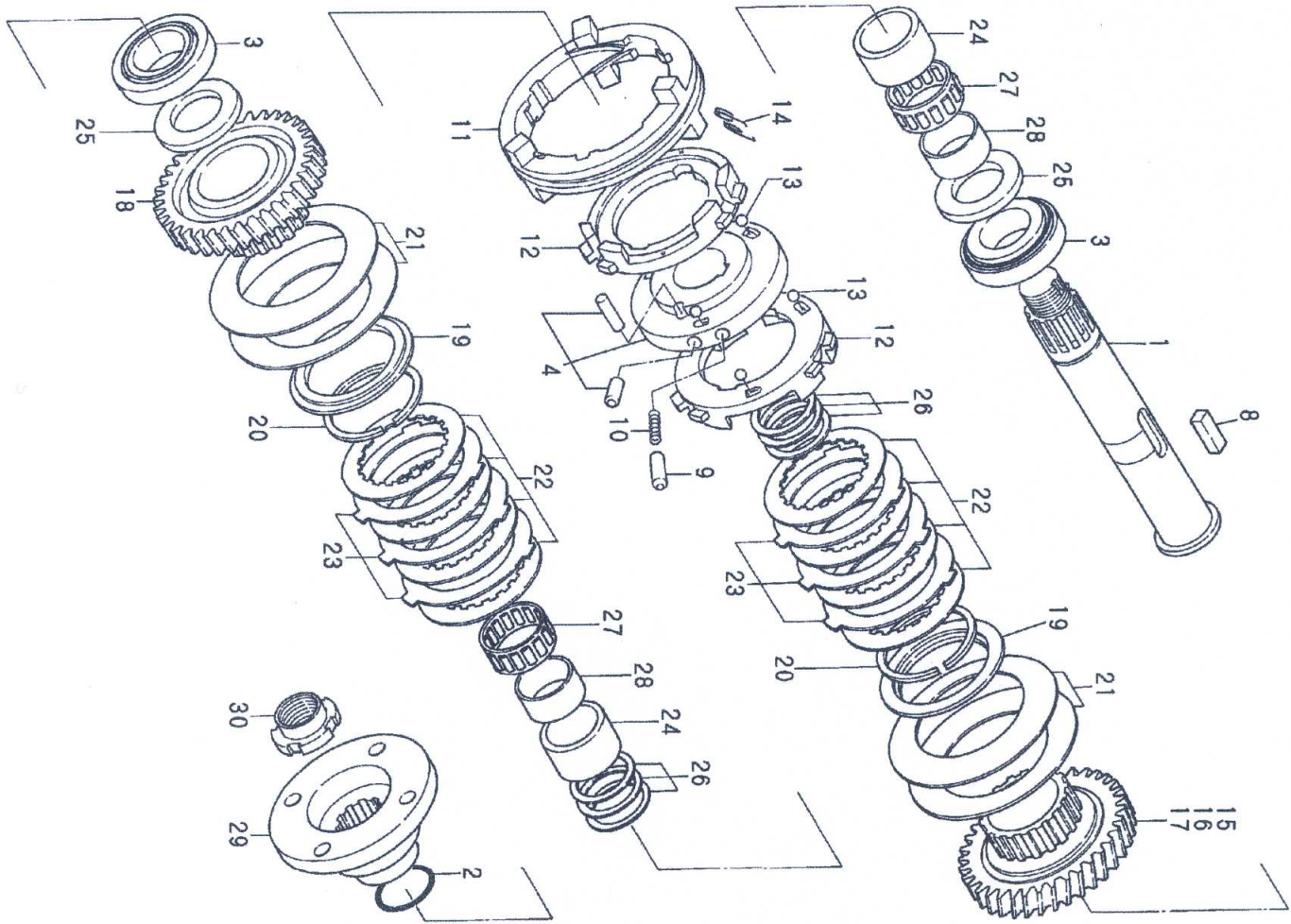
71. INPUT SHAFT & IDLE GEAR SHAFT

(A)=1GM  
(B)=2GM(F)  
(C)=3GM

(D)=3GMD  
(E)=3HM  
(F)=3HMF

REF.	LEV.	PARTS NO.	DESCRIPTION	(A)	(B)	(C)	(D)	(E)	(F)
1	1	177099-03011	SHAFT, INPUT (I=2)	1	1	1	1	1	1
2	1	177099-03380	SHAFT, INPUT I=2.63	1	1	1	1	1	1
3	1	177099-03411	SHAFT, INPUT (I=3)	1	1	1	1	1	1
4	1	177099-03920	ROLLER BEARING	2	2	2	2	2	2
5	1	177099-03500	DISK, (NON-ASB)	1	1	1	1	1	1
6	1	26116-080142	BOLT 8X14	6	6	6	6	6	6
7	1	22217-080000	SPRING WASHER 8	6	6	6	6	6	6
8	1	777099-03021	SHAFT ASY, IDLE GEAR	1	1	1	1	1	1
9	2	177099-03301	GEAR (Z=25), IDLE	1	1	1	1	1	1
10	2	177099-03980	SHAFT	1	1	1	1	1	1
11	2	24341-000150	O-RING 1A.S.-15.0	1	1	1	1	1	1
12	2	177099-03321	WASHER, THRUST	1	1	1	1	1	1
13	2	177099-03901	NEEDLE BEARING	2	2	2	2	2	2

Fig. 72. OUTPUT SHAFT



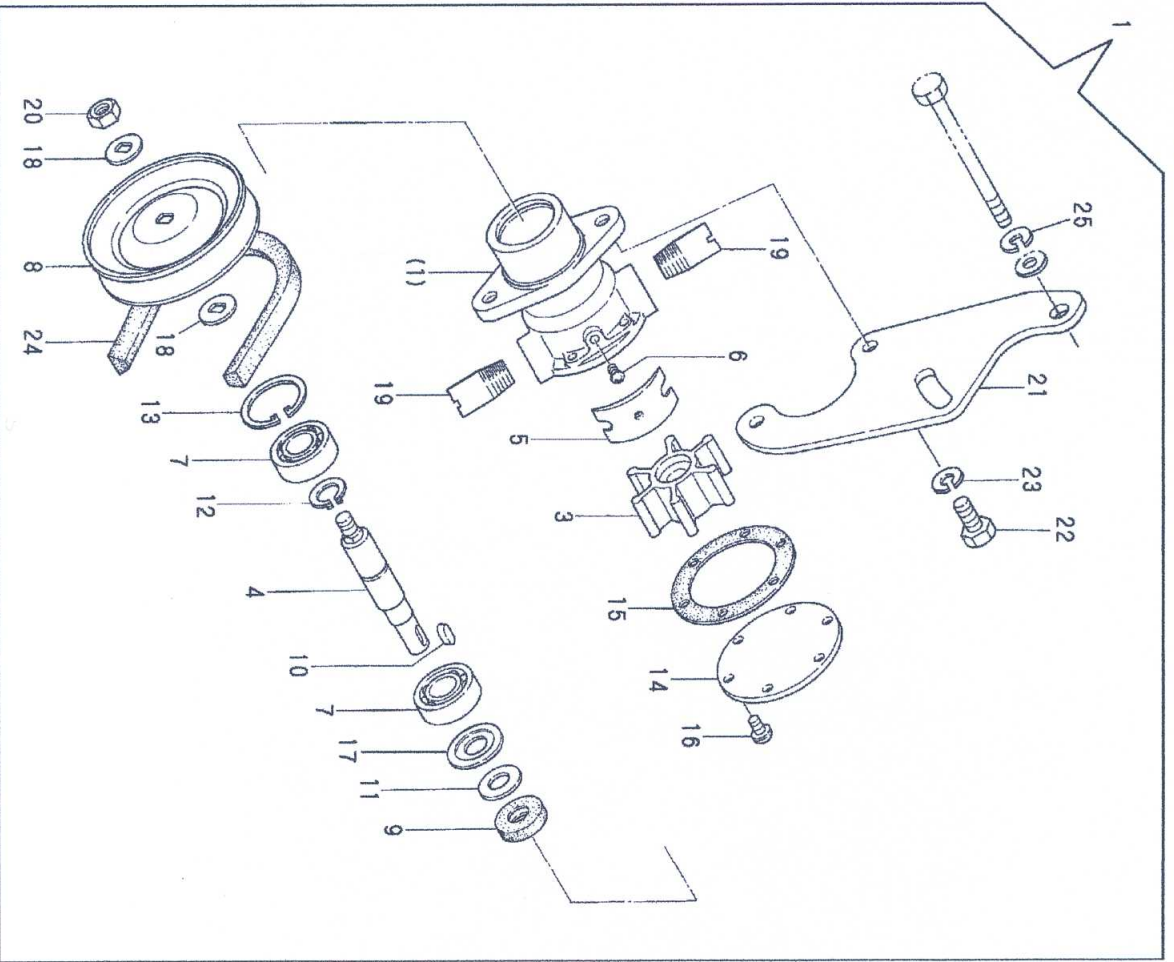
Y00R0902 72. OUTPUT SHAFT

REF.	LEV.	PARTS NO.	DESCRIPTION	(A)	(B)	(C)	(D)	(E)	(F)	I	R
1	1	177099-03021	SHAFT, OUTPUT	1	1	1	1	1	1		
2	1	24341-000300	O-RING 1A.S.-30.0	1	1	1	1	1	1		
3	1	177099-03920	ROLLER BEARING	2	2	2	2	2	2		
4	1	177099-03040	PLATE ASSY, DRIVING	1	1	1	1	1	1		
8	1	177099-03230	KEY	1	1	1	1	1	1		
9	1	177099-03190	PIN	3	3	3	3	3	3		
10	1	177099-03200	SPRING	3	3	3	3	3	3		
11	1	177099-03070	RING, SHIFTING	1	1	1	1	1	1		
12	1	177099-03080	PLATE, PRESSURE	2	2	2	2	2	2		
13	1	177099-03180	BALL 8MM	6	6	6	6	6	6		
14	1	177099-03210	SPRING, RETURN	3	3	3	3	3	3		
15	1	177099-03101	GEAR (Z=47), FORWARD	1	1	1	1	1	1		
16	1	177099-03390	GEAR (Z=50), FORWARD	1	1	1	1	1	1		
17	1	177099-03431	GEAR (Z=51), FORWARD	1	1	1	1	1	1		
18	1	177099-03111	RETAINER (B)	1	1	1	1	1	1		
19	1	177099-03110	CIRCLIP	2	2	2	2	2	2		
20	1	177099-03280	SPRING	2	2	2	2	2	2		
21	1	177099-03121	SPRING	4	4	4	4	4	4		
22	1	177099-03080	DISC, FRICTION	8	8	8	8	8	8		
23	1	177099-03090	PLATE, STEEL	6	6	6	6	6	6		
24	1	177099-03161	SPACER	2	2	2	2	2	2		
25	1	177099-03270	WASHER, THRUST	2	2	2	2	2	2		
26	1	177099-03800	SHIM SET	2	2	2	2	2	2		
27	1	177099-03900	ROLLER BEARING	2	2	2	2	2	2		
28	1	177099-03470	RACE INNER	2	2	2	2	2	2		
29	1	177099-03550	COUPLING, OUTPUT	1	1	1	1	1	1		
30	1	177099-03540	LOCK NUT	1	1	1	1	1	1		

(A)=1GM  
(B)=2GM(F)  
(C)=3GM  
(D)=3GMD  
(E)=3HM  
(F)=3HMF

Fig. 73. COOLING SEA WATER PUMP

[For Heat Exchanger Refit Engine]



REF.	LEV.	PARTS NO.	DESCRIPTION	(A)	(B)	(C)	(D)	(E)	(F)
1	1	121575-42000	PUMP ASSY, C.S.W.	1	1	1	1	1	1
3	2	124223-42091	IMPELLER, C. WATER	1	1	1	1	1	1
4	2	121575-42020	SHAFT, IMPELLER	1	1	1	1	1	1
5	2	124323-42100	CAM, IMPELLER	1	1	1	1	1	1
6	2	26554-040102	SCREW M 4X 10	1	1	1	1	1	1
7	2	24107-062024	BALL BEARING	2	2	2	2	2	2
8	2	124070-42400	V-PULLEY, C.W. PUMP	1	1	1	1	1	1
9	2	124223-42080	SEAL TC13 28 7, OIL	1	1	1	1	1	1
10	2	124223-42040	KEY	1	1	1	1	1	1
11	2	124223-42070	PIECE	1	1	1	1	1	1
12	2	22242-000150	CIRCLIP 15	1	1	1	1	1	1
13	2	22252-000350	CIRCLIP 35	1	1	1	1	1	1
14	2	121575-42150	COVER	1	1	1	1	1	1
15	2	124223-42110	GASKET	1	1	1	1	1	1
16	2	26554-040082	SCREW M 4X 8	6	6	6	6	6	6
17	2	121575-42120	COVER	1	1	1	1	1	1
18	2	124070-42420	WASHER	1	1	1	1	1	1
19	2	121575-49300	JOINT PT 3/8	2	2	2	2	2	2
20	2	26347-080002	U-NUT 8	1	1	1	1	1	1
21	1	128270-42150	BRACKET, C.W. PUMP	1	1	1	1	1	1
22	1	26116-080142	BOLT 8X14	1	1	1	1	1	1
23	1	22217-080000	SPRING WASHER 8	2	2	2	2	2	2
24	1	104511-78780	V-BELT	1	1	1	1	1	1
25	1	22217-080000	SPRING WASHER 8	2	2	2	2	2	2

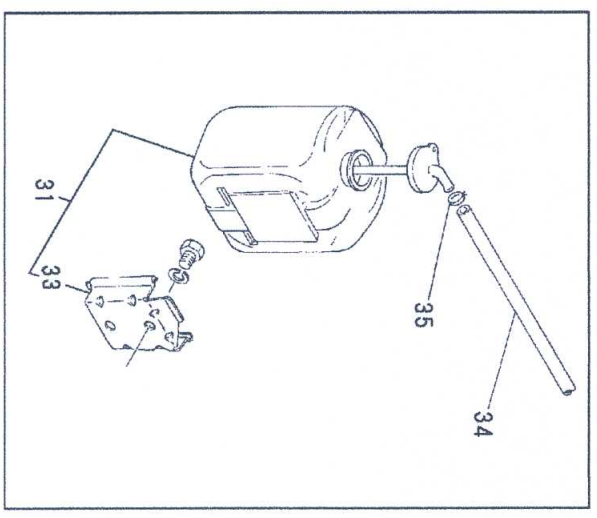
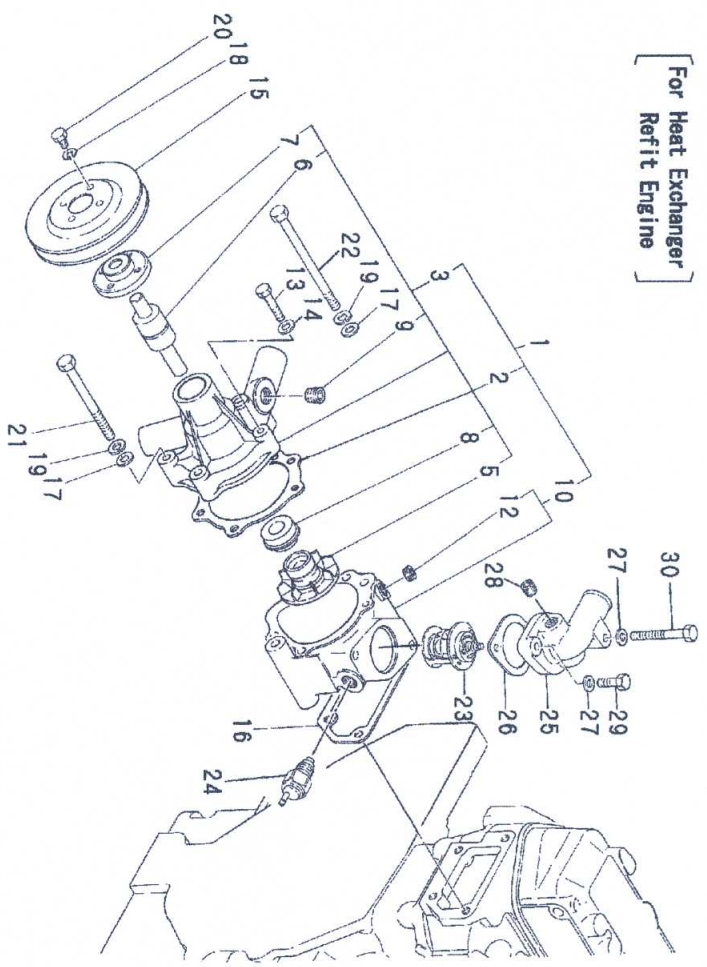
73. COOLING SEA WATER PUMP

(A)=1GM  
(B)=2GM  
(C)=3GM

(D)=3GMD  
(E)=3HM  
(F)=3HMF

Fig. 74. COOLING FRESH WATER PUMP & SUB-TANK

[ For Heat Exchanger  
Refit Engine ]



74. COOLING FRESH WATER PUMP & SUB-TANK

(A)=1GM  
(B)=2GM  
(C)=3GM  
(D)=3GMD  
(E)=3HM  
(F)=3HMF

REF.	LEV.	PARTS NO.	DESCRIPTION	(A)	(B)	(C)	(D)	(E)	(F)	QTY	R
1	1	128695-42010	PUMP ASSY, C.F.W.	1	1	1	1	1	1	1	
2	2	121000-42050	GASKET, BODY	1	1	1	1	1	1	1	
3	2	121000-42100	BODY ASSY, C.W.PUMP	1	1	1	1	1	1	1	
5	3	129350-42200	IMPELLER	1	1	1	1	1	1	1	
6	3	121450-42240	SHAFT, IMPELLER	1	1	1	1	1	1	1	
7	3	121450-42260	FLANGE, V-PULLEY	1	1	1	1	1	1	1	
8	3	121450-42310	SEAL, MECHANICAL	1	1	1	1	1	1	1	
9	3	23871-030000	PLUG PT3/8, SCREW	1	1	1	1	1	1	1	
10	2	728695-43500	BRACKET ASSY, PUMP	1	1	1	1	1	1	1	
12	3	23871-020000	PLUG PT1/4, SCREW	1	1	1	1	1	1	1	
13	2	26117-060352	BOLT M 6X 35	1	1	1	1	1	1	1	
14	2	22117-060000	WASHER 6	1	1	1	1	1	1	1	
15	1	128695-42350	V-PULLEY	1	1	1	1	1	1	1	
16	1	121450-44410	GASKET, BRACKET	1	1	1	1	1	1	1	
17	1	22117-080000	WASHER 8	1	1	1	1	1	1	1	
18	1	22217-060000	SPRING WASHER 6	1	1	1	1	1	1	1	
19	1	22217-080000	SPRING WASHER 8	1	1	1	1	1	1	1	
20	1	26116-060102	BOLT M 6X 10 PLATED	1	1	1	1	1	1	1	
21	1	26116-080952	BOLT M 8X 95 PLATED	1	1	1	1	1	1	1	
22	1	26116-081152	BOLT M 8X115 PLATED	1	1	1	1	1	1	1	
23	1	121750-49800	THERMOSTAT	1	1	1	1	1	1	1	
24	1	127610-91350	SWITCH, THERMO	1	1	1	1	1	1	1	
25	1	128690-49530	COVER, THERMOSTAT	1	1	1	1	1	1	1	
26	1	124736-49540	GASKET, THERMO.	1	1	1	1	1	1	1	
27	1	22137-080000	WASHER 8, POLISHED	1	1	1	1	1	1	1	
28	1	23871-030000	PLUG PT3/8, SCREW	1	1	1	1	1	1	1	
29	1	26116-080282	BOLT M 8X 28 PLATED	1	1	1	1	1	1	1	
30	1	26116-080652	BOLT M 8X 65 PLATED	1	1	1	1	1	1	1	
31	1	720445-44200	SUB RESERVOIR ASSY	1	1	1	1	1	1	1	
33	2	120445-44540	BRACKET, SUB-TANK	1	1	1	1	1	1	1	
34	1	124790-44560	PIPE, C. WATER	1	1	1	1	1	1	1	
35	1	23010-013000	CLAMP, HOSE 13	1	1	1	1	1	1	1	

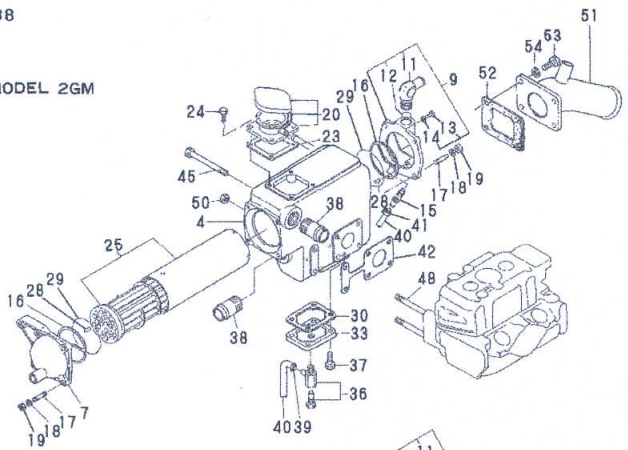


(A)=1GM  
(B)=2GM  
(C)=3GM  
(D)=3GMD  
(E)=3HM  
(F)=3HMF

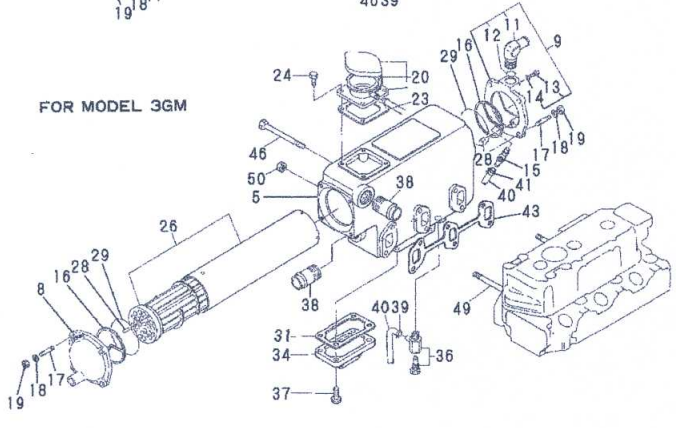
[For Heat Exchanger Refit Engine]

1 Inc. 4 ~ 38

FOR MODEL 2GM



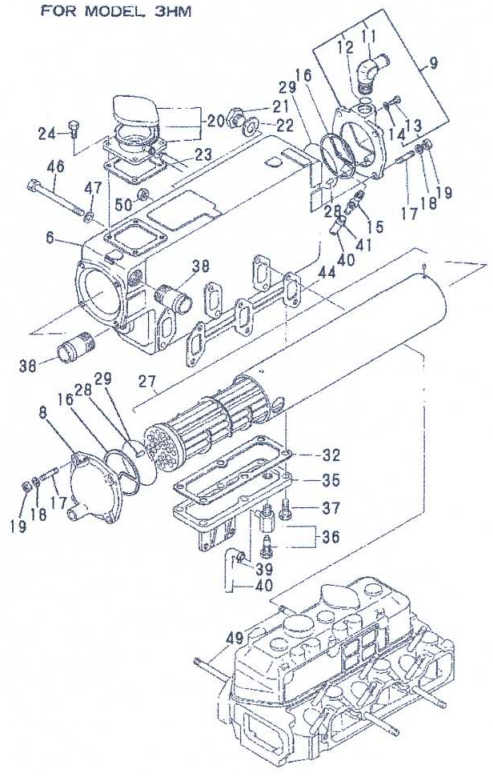
FOR MODEL 3GM



2 Inc. 5 ~ 38

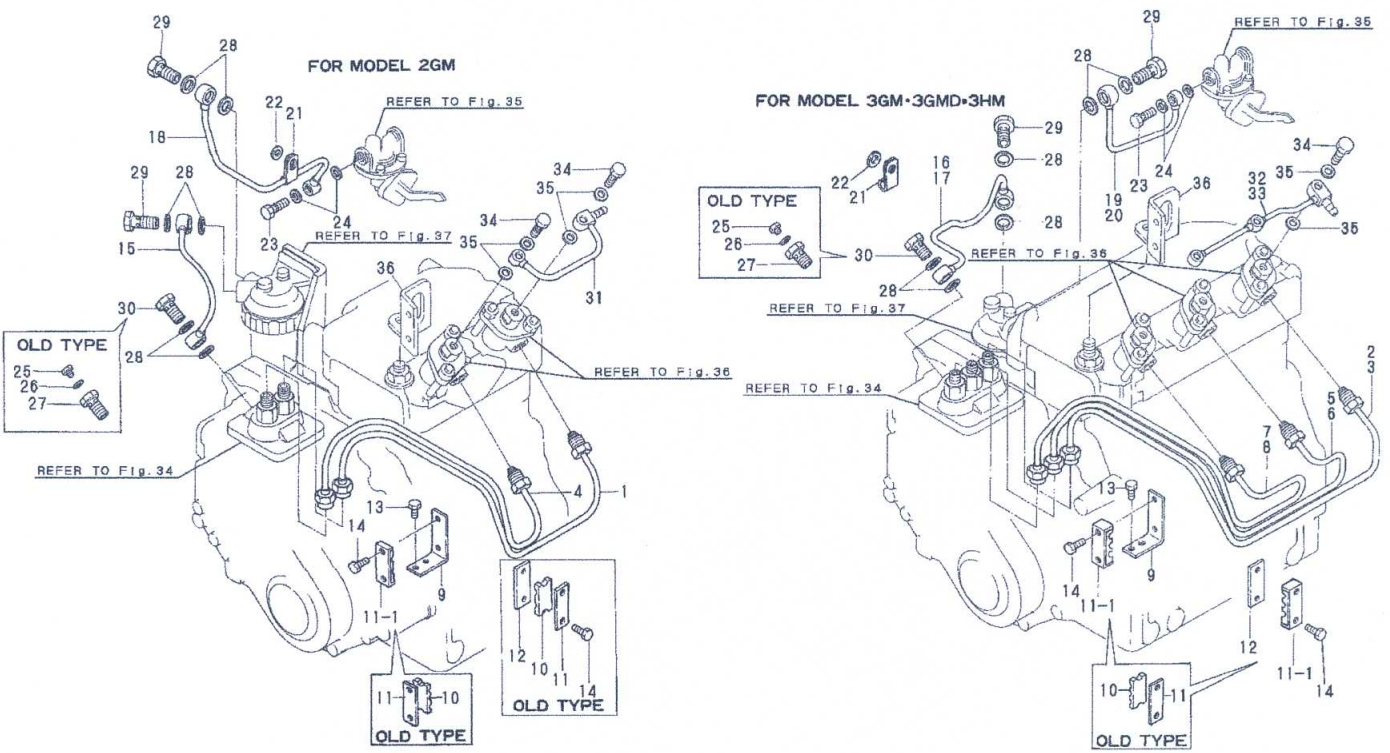
3 Inc. 6 ~ 38

FOR MODEL 3HM



REF.	LEV.	PARTS NO.	DESCRIPTION	(A)	(B)	(C)	(D)	(E)	(F)	QTY	I	R
1	1	728290-44500	EXCHANGER ASSY, HEAT	1								
2	1	728390-44500	EXCHANGER ASSY, HEAT		1							
3	1	728695-44501	EXCHANGER ASSY, HEAT			1						
4	2	128290-44010	TANK, HEAT EXCHANGER				1					
5	2	128390-44010	TANK, HEAT EXCHANGER					1				
6	2	128695-44010	TANK, HEAT EXCHANGER						1			
7	2	128290-44050	COVER, INLET							1		
8	2	128965-44050	COVER, INLET								1	
9	2	728690-44710	COVER (A) ASSY, SIDE								1	
11	3	128690-49310	ELBOW/								1	
12	3	24311-000160	O-RING 1A P-16.0								1	
13	3	26554-050102	SCREW M 5X 10								1	
14	3	23414-050000	GASKET 5								1	
15	2	128695-44090	COCK PT 1/8								1	
16	2	128695-44070	GASKET								2	
17	2	26216-060202	STUD M 6X 20 PLATED								8	
18	2	22117-060000	WASHER 6								8	
19	2	26716-060002	NUT 6								8	
20	2	123682-44190	FILLER W/BALL								1	
21	2	23897-030002	PLUG PF3/8								1	
22	2	23414-170022	GASKET 17								1	
23	2	123672-44200	GASKET								1	
24	2	26716-060162	BOLT 6X16								1	
25	2	128290-44400	CORE ASSY, COOLER								4	
26	2	128390-44400	CORE ASSY, COOLER								1	
27	2	128695-44400	CORE ASSY, COOLER								1	
28	2	124790-44470	PIN								2	
29	2	24311-000700	O-RING 1A P-70.0								2	
30	2	121450-11680	GASKET COVER								2	
31	2	128390-44490	GASKET								1	
32	2	120345-13160	GASKET								1	
33	2	128290-44480	COVER, TANK								1	
34	2	128390-44480	COVER, TANK								1	
35	2	128695-44480	COVER								1	
36	2	43600-500290	COCK 1/4								1	
37	2	26116-080202	BOLT M 8X 20 PLATED								4	
38	2	124160-49480	JOINT, PIPE								4	
39	1	124460-77680	RETAINER								2	
40	1	23061-070300	PIPE 7X 300								1	
41	1	124722-59050	CLAMP 9								2	
42	1	128290-13250	GASKET								1	
43	1	121450-13250	GASKET, EXH MANIFOLD								1	
44	1	121550-13520	GASKET								1	
45	1	26116-080852	BOLT M 8X 85 PLATED								4	
46	1	26116-080902	BOLT M 8X 90 PLATED								4	
47	1	22217-080002	SPRING WASHER 8								4	
48	1	26216-080852	STUD M 8X 85 PLATED								2	
49	1	26216-080902	STUD M 8X 90 PLATED								2	
50	1	26717-080002	NUT 8								2	
51	1	128370-13530	ELBOW, MIXING								1	
52	1	128370-13200	GASKET								1	
53	1	26113-080202	BOLT M 8X 20 (STEN								4	
54	1	22217-080000	SPRING WASHER 8								4	

[For Heat Exchanger Refit Engine]



REF.	LEV.	PARTS NO.	DESCRIPTION	(A)	(B)	(C)	(D)	(E)	(F)	QTY	I	R
1	1	128290-59810	PIPE (1), F. INJECT.	1								
2	1	128390-59810	PIPE (1), F. INJECT.		1							
3	1	128695-59810	PIPE (1), F. INJECT.			1						
4	1	128290-59820	PIPE (2), F. INJECT.				1					
5	1	128390-59820	PIPE (2), F. INJECT.					1				
6	1	128695-59820	PIPE (2), F. INJECT.						1			
7	1	128390-59830	PIPE (3), F. INJECT.						1			
8	1	128695-59830	PIPE (3), F. INJECT.							1		
9	1	121450-59850	BRACKET (A)							1		
10	1	123325-59100	RETAINER							2		
11	1	123325-59110	COVER							2		
11-1	1	123372-59100	CLAMP							2		
12	1	121250-59860	RETAINER (B)							1		
13	1	26116-060102	BOLT M 6X 10 PLATED							2		
14	1	26116-060162	BOLT 6X16							4		
15	1	128290-59010	PIPE (A) ASSY, FUEL							1		
16	1	128390-59010	PIPE (A) ASSY, FUEL							1		
17	1	128690-59010	PIPE (A) ASSY, FUEL							1		
18	1	128290-59080	PIPE (B), FUEL							1		
19	1	128390-59080	PIPE, FUEL OIL							1		
20	1	128690-59080	PIPE							1		
21	1	124450-39240	RETAINER, PIPE							1		
22	1	22117-080000	WASHER 8							1		
23	1	105582-59150	BOLT, PIPE JOINT							1		
24	1	23414-080000	GASKET 8, ROUND							2		
25	1	124060-59380	PLUG							1		
26	1	180110-51910	GASKET, PLUG							1		
27	1	103854-59200	BOLT 12, PIPE JOINT							1		
28	1	23414-120000	GASKET 12, ROUND							6		
29	1	23857-060000	JOINT BOLT 6							2		
30	1	103854-59191	BOLT W/PLUG & SEAL							1		
31	1	105311-59500	PIPE, FUEL RETURN							1		
32	1	128370-59500	PIPE, FUEL RETURN							1		
33	1	121575-59500	PIPE, FUEL RETURN							2		
34	1	101147-59810	BOLT 8, PIPE JOINT							3		
35	1	23414-080000	GASKET 8, ROUND							6		
36	1	128695-07230	LIFTER, ENGINE							1		