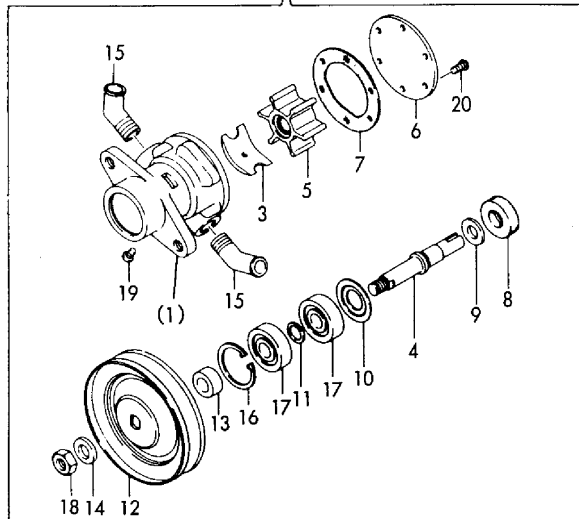
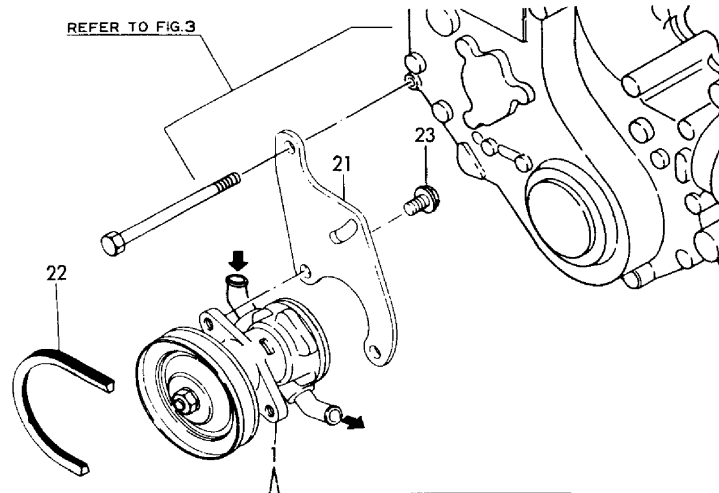


(A)=3GM30 (D)=3GM30C  
 (B)=3GM30VE (E)=3GM30F  
 (C)=3GM30B (F)=3GM30FVE

Fig.32.COOLING SEA WATER PUMP

Fig. **32** 冷却水ポンプ(海水)  
 COOLING SEA WATER PUMP



REF.	LEV.	PARTS NO.	DESCRIPTION	QTY						I	R
				(A)	(B)	(C)	(D)	(E)	(F)		
1	1	128270-42000	PUMP ASSY, C. WATER	1	1	1	1				
3	2	104211-42050	CAM	1	1	1	1				
4	2	124070-42060	SHAFT, IMPELLER	1	1	1	1				
5	2	104211-42070	IMPELLER, C. WATER	1	1	1	1				
6	2	104211-42080	COVER, C.W. PUMP	1	1	1	1				
7	2	104211-42090	GASKET	1	1	1	1				
8	2	104211-42100	SEAL TC10 25 7, OIL	1	1	1	1				
9	2	104211-42110	RING, WATER SEAL	1	1	1	1				
10	2	104211-42120	RETAINER	1	1	1	1				
11	2	104211-42130	SPACER	1	1	1	1				
12	2	124070-42400	V-PULLEY, C.W. PUMP	1	1	1	1				
13	2	124070-42410	COLLAR	1	1	1	1				
14	2	124070-42420	WASHER	1	1	1	1				
15	2	128270-49300	ELBOW 1/4	2	2	2	2				
16	2	22252-000300	CIRCLIP 30	1	1	1	1				
17	2	24107-062004	BALL BEARING	2	2	2	2				
18	2	26347-080002	U-NUT M 8	1	1	1	1				
19	2	26554-040062	SCREW M 4X 6	1	1	1	1				
20	2	26554-040082	SCREW M 4X 8	6	6	6	6				
21	1	128270-42150	BRACKET, C.W. PUMP	1	1	1	1				
22	1	104511-78780	V-BELT	1	1	1	1				
23	1	26106-080122	BOLT M 8X 12 PLATED	2	2	2	2				