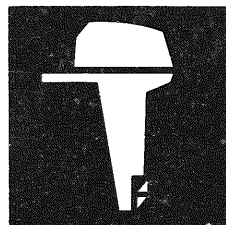


YAMAHA



PARTS CATALOGUE

CONTENTS

Fig. 1	CYLINDER. CRANKCASE	A3
Fig. 2	INTAKE	A4
Fig. 3	STARTER	A5
Fig. 4	COWLING. FUEL	A6
Fig. 5	UPPER CASING. BRACKET	A7
Fig. 6	CONTROL	B1
Fig. 7	LOWER CASING. DRIVE 1	B2
Fig. 8	GENERATOR	B3
Fig. 9	ELECTRICAL 1	B4
Fig. 10	ALTERNATE 1 (4AS MODEL)	B5
Fig. 11	ALTERNATE 2 (4AS MODEL)	B6
Fig. 12	OPTIONAL PARTS 1	B7
Fig. 13	REPAIR KIT	C1
	NUMERICAL INDEX	

4AC'93 (6E0)

4AS'93 (6E1)

2R6E0-300E1

YAMAHA
GENUINE
Parts & Accessories

A1

FOREWORD

This Parts Catalogue is related to the parts in use for the Yamaha outboard motor 4AC'93 (6E0)/4AS'93(6E1). When you are ordering replacement parts for the 4AC'93(6E0)/4AS'93 (6E1), refer to this Parts Catalogue and quote both part numbers and part names correctly.

1. Modifications or additions which have been made after issue of the Parts Catalogue will be announced in the Yamaha Parts News.
It is advisable that according to the Yamaha Parts News you make necessary corrections to the Parts Catalogue on hand to keep it up-to-date.

2. Abbreviations

The following abbreviations are used in this Parts Catalogue.

- UR Use size (thickness) and/or number as required.
- UN Use as many as you need.
- AP Alternate Parts
- STD Standard
- O/S Over Size

3. Parts, which are to be supplied in the form of assemblies, are listed with an indention of one letter's space, and a dot (.) is put against the name of each part.

EXAMPLE

CARBURETOR ASS'Y
 . JET, pilot
 . NOZZLE, main

4. Indication of No. of constituent parts for assembly.

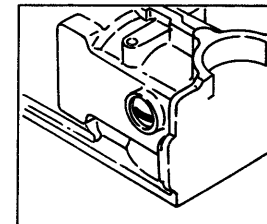
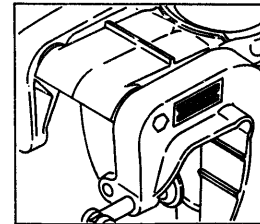
The numeral appearing to the right of each constituent part under the description indicates the quantity of such parts for each individual assembly unit.

EXAMPLE

Part No.	Description	Q'ty	Remarks
6E0-85500-70	C.D.I. MAGNETO ASS'Y	1	
6E0-85550-70	. ROTOR ASS'Y	1	
6E0-15723-00-94	.. PULLEY, starter	1	

5. Initial Serial No. and Color Code

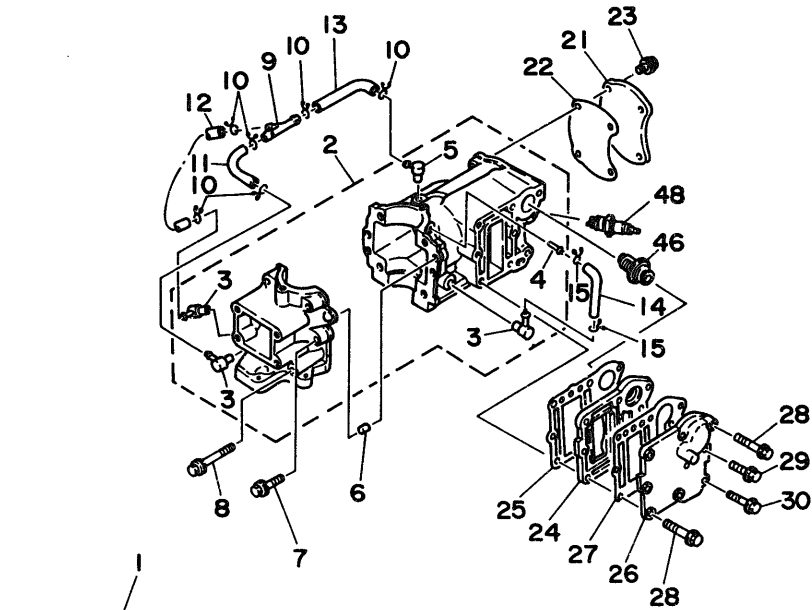
Engine Serial No.	
	4AC S : 138512 and following L : 345280 and following
	4AS S : 235348 and following L : 513824 and following



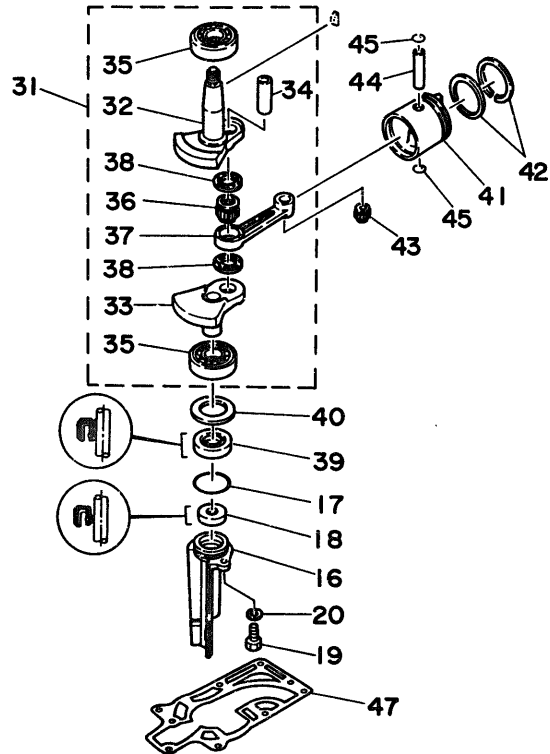
Color Code	Color Name	Abbreviate
EJ	METALLIC MARINE BLUE	MMB

Fig. 1 CYLINDER. CRANKCASE

Ref.No.	Parts No.	Description	Q'ty	Ref.No.	Parts No.	Description	Q'ty
1	6E0-W0090-04-EJ	CRANK CYLINDER ASSY (Ref.No. 2 to 47)	1	25	6E0-41112-A1	GASKET, exhaust inner cover	1
2	6E0-15100-01-94	CRANKCASE ASSY	1	26	6E0-41113-01-9M	OUTER COVER, exhaust	1
3	650-11370-00	.CHECK VALVE ASSY	3	27	6E0-41114-A1	GASKET, exhaust outer cover	1
4	624-14485-00	.PIPE, joint	1	28	90105-06M24	BOLT, washer based	7
5	6E5-11372-00	.NIPPLE, hose	1	29	90105-06M16	BOLT, washer based	1
6	93604-08062	PIN, dowel	2	30	90105-06M14	BOLT, washer based	1
7	90105-06M16	BOLT, washer based	4	31	6E0-11400-00	CRANKSHAFT ASSY	1
8	90105-06M17	BOLT, washer based	2	32	6E0-11412-00	.CRANK 1	1
9	6E0-24378-00	PIPE, joint 4	1	33	6E0-11422-00	.CRANK 2	1
10	90467-06016	CLIP	6	34	6G1-11681-00	.PIN, crank 1	1
11	90445-07M00	HOSE	1	35	93306-204U0	.BEARING	2
12	90445-07M28	HOSE	1	36	93310-418V1	.BEARING, cylindrical	1
13	90445-07M32	HOSE	1	37	6E0-11651-01	.ROD, connecting	1
14	90445-07M28	HOSE	1	38	90209-18112	.WASHER	2
15	90467-06016	CLIP	2	39	93101-20M29	OIL SEAL	1
16	6E0-15396-03-5B	HOUSING, oil seal	1	40	676-45567-00-09	SHIM (T:0.9MM)	1
17	93210-31114	O-RING	1	41	6E0-11631-00-98	PISTON (STD)	1
18	93101-10M25	OIL SEAL	1	42	6G1-11610-00	PISTON RING SET (STD)	1
19	97395-06016	BOLT	1	43	93310-112V0	BEARING, cylindrical	1
20	92990-06600	WASHER, plate	1	44	6G1-11633-00	PIN, piston	1
21	6E0-11191-01-9M	COVER, cylinder head 1	1	45	93450-13022	CIRCLIP	2
22	6E0-11193-A1	GASKET, head cover 1	1	46	6E5-12411-01	THERMOSTAT	1
23	90105-06M14	BOLT, washer based	4	47	6E0-45113-A1	GASKET, upper casing	1
24	6E0-41111-01-9M	INNER COVER, exhaust	1	48	94702-00272	PLUG, spark (NGK BR7HS)	1



CRANK CYLINDER ASS'Y



FWD

Fig. 2 INTAKE

Ref.No.	Parts No.	Description	Q'ty	Ref.No.	Parts No.	Description	Q'ty
1	6E0-13610-00	REED VALVE ASSY	1	25	6E0-24413-00	.COVER	1
2	6E0-W0004-00	.REED SET	1	26	6E0-24471-00	.DIAPHRAGM	1
3	6E0-13621-A1	GASKET, valve seat	1	27	6E0-24435-00	.GASKET, body 2	1
4	95895-06016	BOLT, flange	2	28	6E0-24412-00	.BODY 1	1
5	6E0-14301-03	CARBURETOR ASSY 1	1	29	6E0-24423-00	.SPRING, diaphragm	1
6	6E0-14381-01	.BODY, float chamber	1	30	6E0-14346-00	.PLATE	1
7	6E0-14384-00	.GASKET, float chamber	1	31	6E0-24411-00	.DIAPHRAGM	1
8	97603-04116	.SCREW, pan head with washer	4	32	6E0-24434-00	.GASKET, body	1
9	677-14383-01	.SCREW, drain	1	33	6E0-14198-A0	GASKET	1
10	6A1-14398-00	.GASKET	1	34	95380-06700	NUT	2
11	6E7-14385-00	.FLOAT	1	35	32990-06600	WASHER, plate	2
12	647-14386-10	.PIN, float	1	36	6E0-14417-00	COVER 1	1
13	6E0-14341-01	.NOZZLE, main	1	37	6E0-14418-00	COVER 2	1
14	648-14343-40	.JET, main (# 80)	1	38	98580-05525	SCREW, pan head	2
15	6G8-14392-10	.VALVE, needle	1	39	92901-05600	WASHER, plate	2
16	6E0-14157-00	.COVER, plate	1	40	97780-40720	SCREW, tapping	1
17	6E0-14227-00	.GASKET	1	41	6E0-41256-00	ROD, choke 1	1
18	97890-04007	.SCREW, pan head	4	42	6E0-41271-00	KNOB, choke	1
19	647-14323-00	.SCREW, air adjusting	1	43	6E0-41272-00	KNOB, choke	1
20	646-14212-01	.SPRING, pilot adjusting	2	44	90202-12M16	WASHER, plate	1
21	664-14321-01	.SCREW, pan head	1	45	661-41262-02	JOINT, choke lever	1
22	648-14342-23	.JET, pilot (# 46)	1	46	95622-06325	BOLT, stud	1
23	647-14326-00	.SCREW, guide	1	47	90116-06M08	BOLT, stud	1
24	97980-04120	.SCREW, pan head	4				

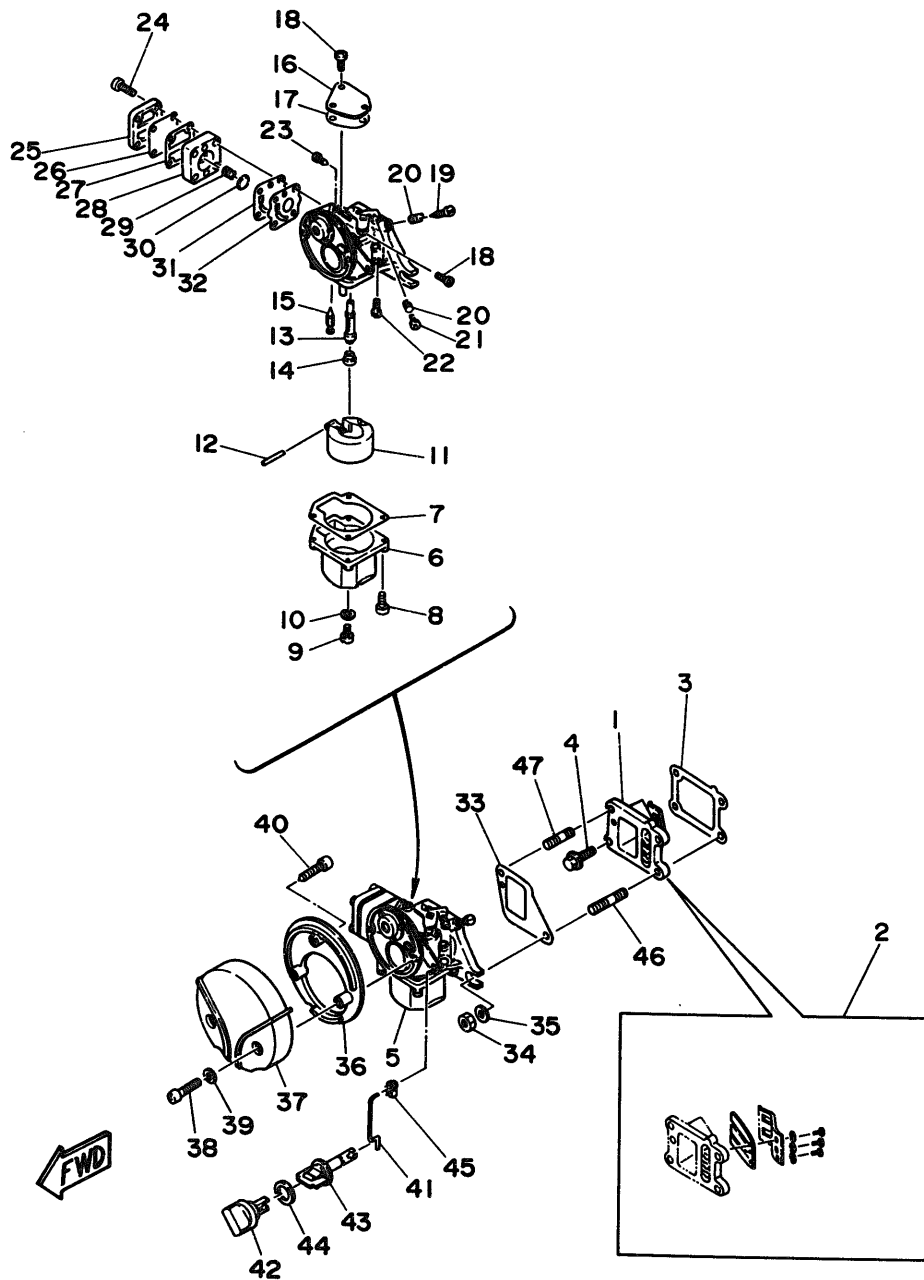
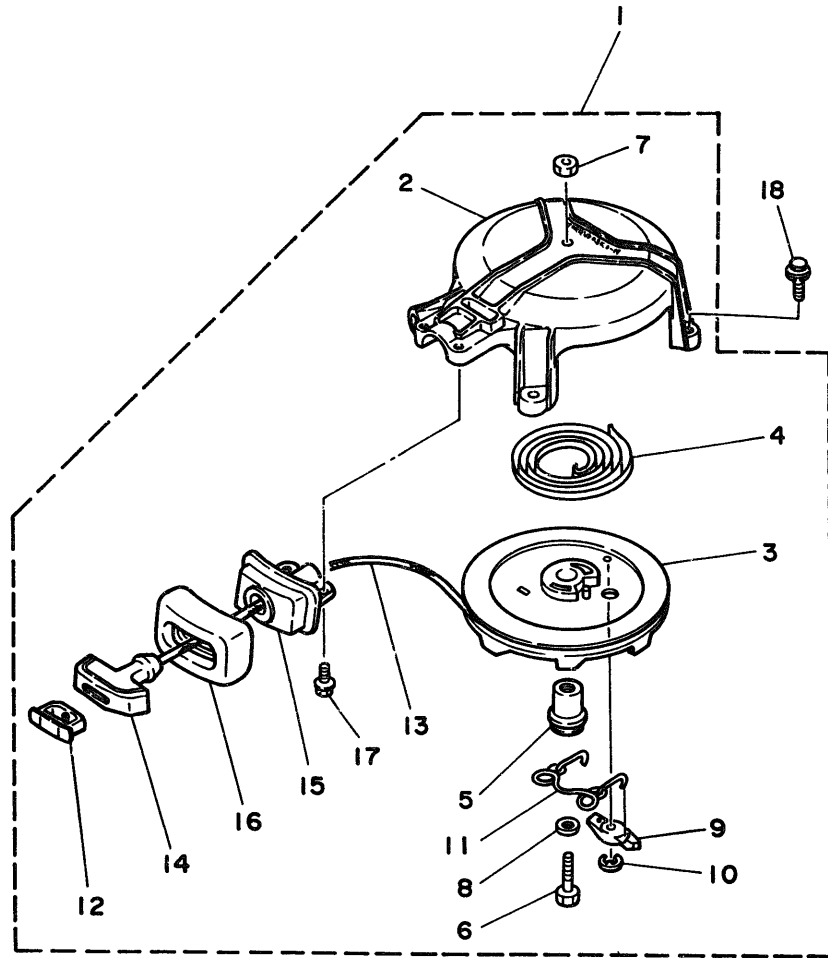


Fig. 3 STARTER

Ref.No.	Parts No.	Description	Q'ty	Ref.No.	Parts No.	Description	Q'ty
1	6E0-15710-03-94	STARTER ASSY	1	10	93430-06M02	.CIRCLIP	1
2	6E4-15711-71-94	.CASE, starter	1	11	6E0-15705-00	.SPRING, drive pawl	1
3	6E0-15714-01	.DRUM, sheave	1	12	6G1-15779-00	.COVER	1
4	90510-08M03	.SPRING, spiral	1	13	*	.WIRE (L1850)	1
5	6E0-15717-00	.SHAFT, starter	1	14	6G1-15755-00	.HANDLE, starter	1
6	97013-06035	.BOLT	1	15	6E0-15758-01	.GUIDE, rope	1
7	95380-06600	.NUT	1	16	6E0-15761-00	.SEAL, rubber 1	1
8	90201-06M30	.WASHER, plate	1	17	95895-06016	.BOLT, flange	2
9	677-15741-01	.PAWL, drive	1	18	95895-06020	BOLT, flange	3



* Cut from 50m rolls, Parts No. 90890-44372, cutting length 1.85m.



Fig. 4 COWLING. FUEL

Ref.No.	Parts No.	Description	Q'ty	Ref.No.	Parts No.	Description	Q'ty
1	6E0-42610-26-EJ	TOP COWLING ASSY	1	19	6E0-42542-00	PIPE	2
2	6E0-42615-00	.SEAL	1	20	95895-06025	BOLT, flange	2
3	6E0-42647-01	.HOLDER, clamp band	1	21	6A1-42792-01	MARK	1
4	6E0-42651-02	.HOOK	1	22	6E0-24110-00-EJ	FUEL TANK COMP.	1
5	90266-04M00	.RIVET	4	23	6E0-24610-02	CAP ASSY	1
6	6E0-W0070-23	.GRAPHIC SET	1	24	6E0-24181-00	DAMPER, locating 1	2
7	6E0-42677-10	.GRAPHIC, front	1	25	6E0-24641-00	GASKET, cap 1	1
8	6E0-42678-11	.GRAPHIC, rear	1	26	90445-09M37	HOSE	1
9	6E0-42711-04-EJ	COWLING, bottom	1	27	90467-08004	CLIP	2
10	6E0-42815-00-EJ	LEVER, clamp	1	28	6E0-24500-00	FUEL COCK ASSY 1	1
11	90386-12069	BUSH	2	29	6E0-24571-00	BUSHING	1
12	6E0-42816-00	LEVER, clamp	1	30	6E0-24591-00	GRAPHIC	1
13	90206-12052	WASHER, wave	1	31	6E0-24572-00	SHAFT, fuel change	1
14	97895-06030	SCREW, pan head	1	32	6E0-24575-01	LEVER, fuel change	1
15	95380-06700	NUT	1	33	90202-12M17	WASHER, plate	2
16	90480-14M14	GROMMET	2	34	6E0-82550-00	ENGINE STOP SWITCH ASSY	1
17	95895-06020	BOLT, flange	1	35	656-W2810-02	TOOL KIT	1
18	6E0-24182-00	DAMPER, locating 2	2				

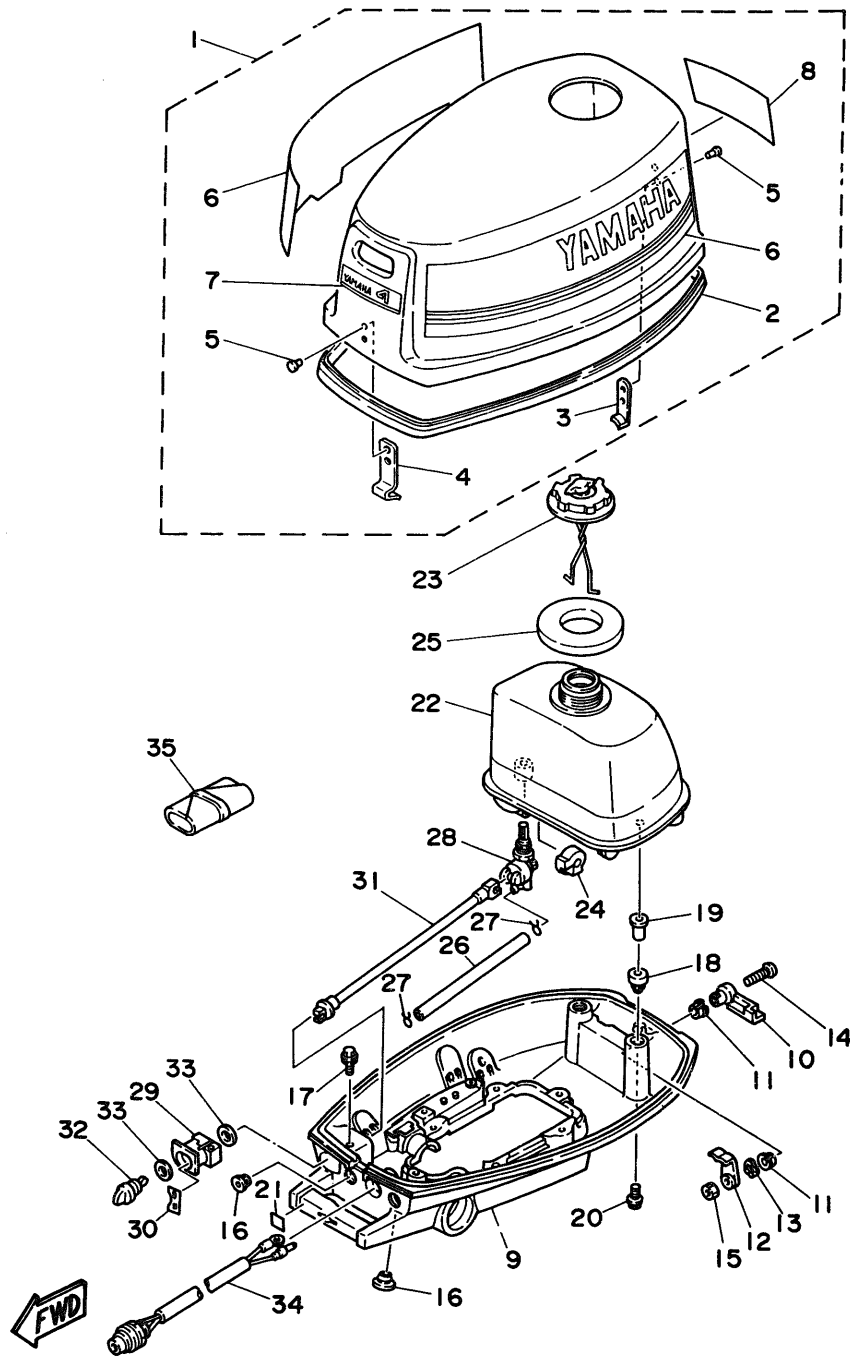


Fig. 5 UPPER CASING. BRACKET

Ref.No.	Parts No.	Description	Q'ty	Ref.No.	Parts No.	Description	Q'ty
1	6E0-45111-02-EJ	CASING, upper (Short)	1 UR	27	93700-06M03	NIPPLE, grease	1
	6E0-45111-12-EJ	CASING, upper (Long)	1 UR	28	95895-06035	BOLT, flange	4
2	93606-12019	PIN, dowel	2	29	6E0-43181-00	LEVER, tilt stop	1
3	97395-06030	BOLT	7	30	6E0-43632-00	KNOB, tilt	1
4	92990-06600	WASHER, plate	7	31	6E0-43313-00-94	BRACKET, swivel	1
5	97395-06016	BOLT	4	32	620-43189-00	BUSHING	2
6	92990-06600	WASHER, plate	4	33	95895-06020	BOLT, flange	2
7	95380-06700	NUT	4	34	90508-16020	SPRING, torsion	1
8	93700-06M03	NIPPLE, grease	1	35	90508-16021	SPRING, torsion	1
9	647-45151-01	COVER, upper casing	1	36	6E0-43160-01	TILT ROD ASSY	1
10	90480-10M13	GROMMET	1	37	656-43165-01	PLATE, tilt lock	1
11	6E0-43111-01-EJ	BRACKET, clamp	1	38	91690-30008	PIN, spring	1
12	6E0-43112-01-EJ	BRACKET, clamp	1	39	6E0-43614-00-5B	PLATE, tilt lock	1
13	648-43114-01	PAD, transom clamp	2	40	90508-14M10	SPRING, torsion	1
14	6E0-43116-01	SCREW, transom clamp	2	41	90508-14M11	SPRING, torsion	1
15	6E0-43118-00	HANDLE, transom clamp	2	42	95895-06010	BOLT, flange	2
16	90254-04M00	PIN, spring	2	43	6E0-42537-02	BUSHING, pivot shaft	1
17	90101-08M07	BOLT	1	44	6E0-42538-02	BUSHING, pivot shaft	1
18	90201-08M03	WASHER, plate	2	45	6E0-42528-03	PLATE, friction	1
19	6A1-43113-01	PLATE, clamp bracket	1	46	95380-08600	NUT	1
20	95780-08300	NUT, flange	1	47	90502-08M05	SPRING, conical	1
21	90387-06M11	COLLAR	1	48	6L5-42529-01	SCREW, friction piece	1
22	90101-06335	BOLT	1	49	6L5-42561-00	KNOB, steering lock	1
23	92990-06600	WASHER, plate	1	50	6L5-44196-00	INDICATOR 3	1
24	95380-06600	NUT	1	51	6L5-44197-00	INDICATOR 4	1
25	6E0-43311-04-EJ	BRACKET, swivel	1	52	90266-04M05	RIFLET	1
26	6E0-43312-02-EJ	BRACKET, swivel	1	53	6E0-28193-00-94	PLUG, water check	1 AP

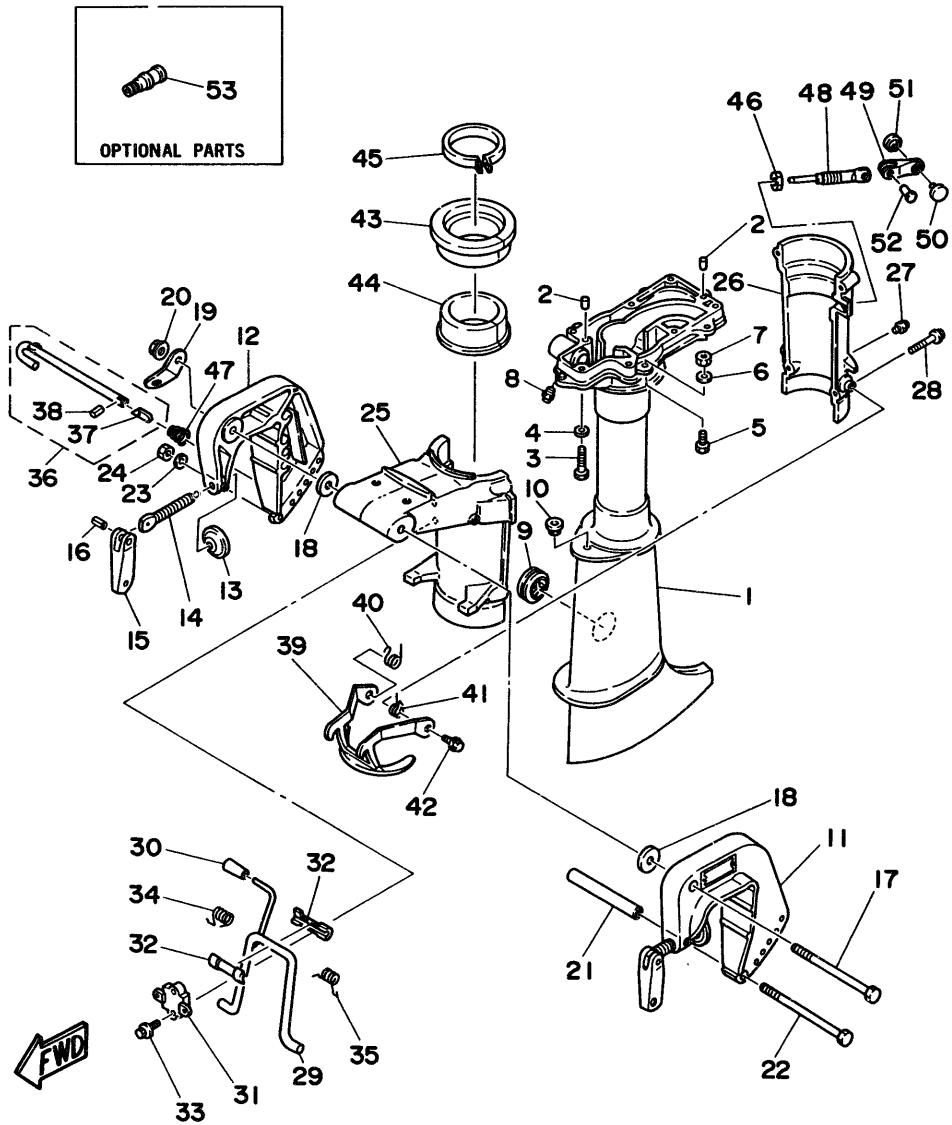
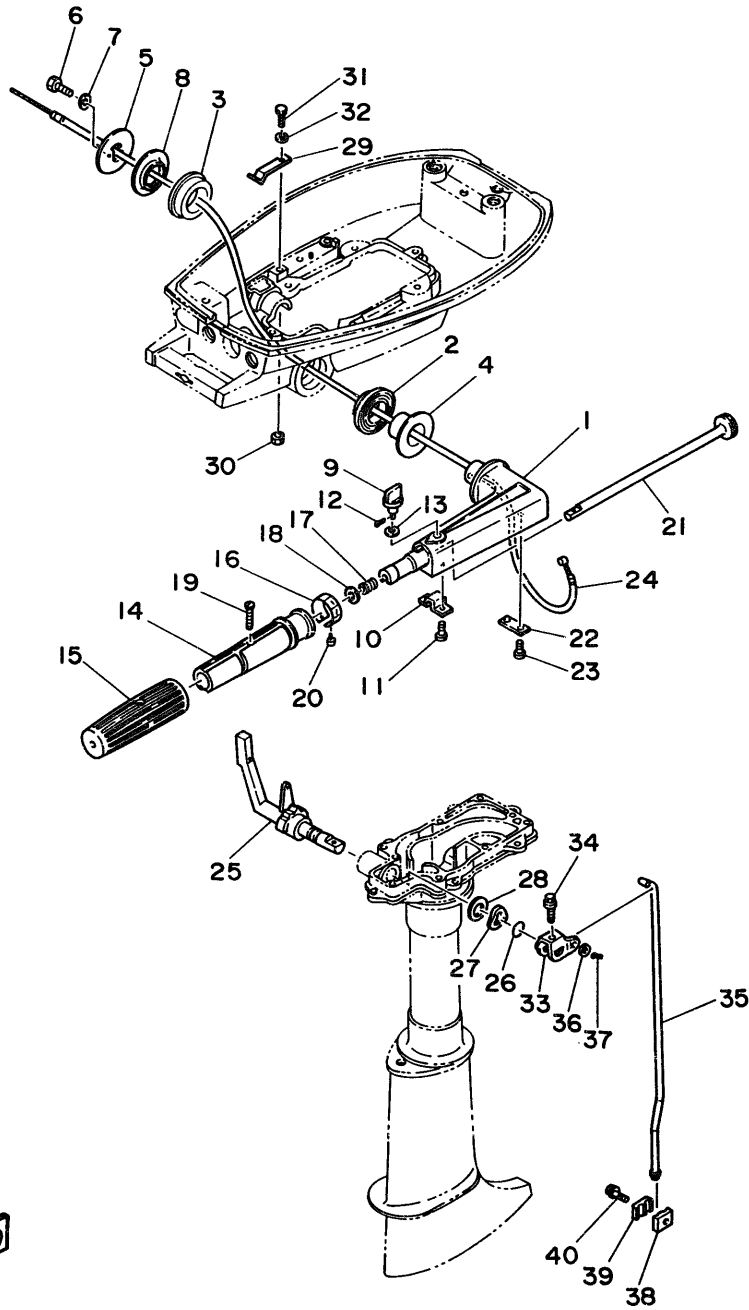


Fig. 6 CONTROL

Ref.No.	Parts No.	Description	Q'ty	Ref.No.	Parts No.	Description	Q'ty
1	6E0-42111-02-EJ	HANDLE, steering	1	22	6E0-42159-02	STAY	1
2	6E0-42129-02	BUSHING, rubber	1	23	97895-05012	SCREW, pan head	2
3	6E4-42129-00	BUSHING, rubber	1	24	6E0-26301-01	THROTTLE CABLE ASSY	1
4	90386-26M30	BUSH	1	25	6E0-44111-02	HANDLE, gear shift	1
5	6E0-42131-02-94	COVER, handle steering	1	26	93210-12327	O-RING	1
6	97313-05020	BOLT	2	27	90206-16M06	WASHER, wave	1
7	92990-05600	WASHER, plate	2	28	90202-16061	WASHER, plate	1
8	90386-26M33	BUSH	1	29	6E0-44116-00	SPRING	1
9	6E0-42125-00	BOLT, friction adjusting	1	30	95380-06700	NUT	1
10	6E0-42134-02	COVER, throttle lever	1	31	97395-06012	BOLT	1
11	97895-05012	SCREW, pan head	2	32	92990-06600	WASHER, plate	1
12	91490-12012	PIN, cotter	1	33	6E0-44121-00	LEVER, shift rod	1
13	90202-07M22	WASHER, plate	1	34	95895-06025	BOLT, flange	1
14	6E0-42119-00	GRIP, steering handle	1	35	6E0-44143-00	ROD, shift (Short)	1 UR
15	6E0-42177-00	RUBBER, handle	1		6E0-44143-10	ROD, shift (Long)	1 UR
16	6E0-42137-10	INDICATOR, throttle	1	36	92990-05600	WASHER, plate	1
17	90501-23215	SPRING, compression	1	37	91490-16010	PIN, cotter	1
18	90201-10119	WASHER, plate	1	38	6E0-44145-00	CONNECTOR, shift rod	1
19	90149-05M13	SCREW	1	39	6E0-44146-00	CONNECTOR, shift rod	1
20	90269-02M09	RIVET	1	40	95895-06020	BOLT, flange	1
21	6E0-42138-01	LEVER, throttle	1				



B1

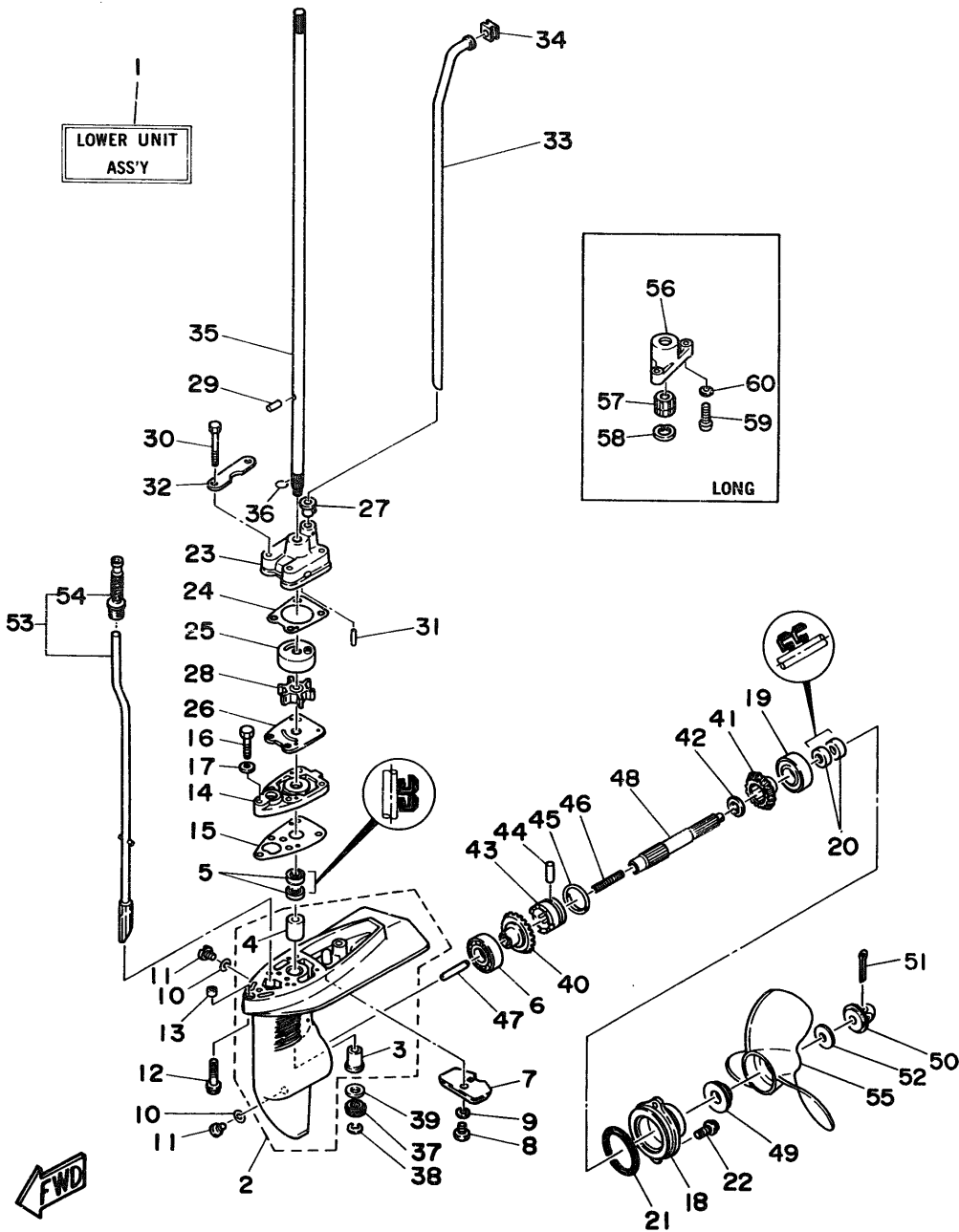
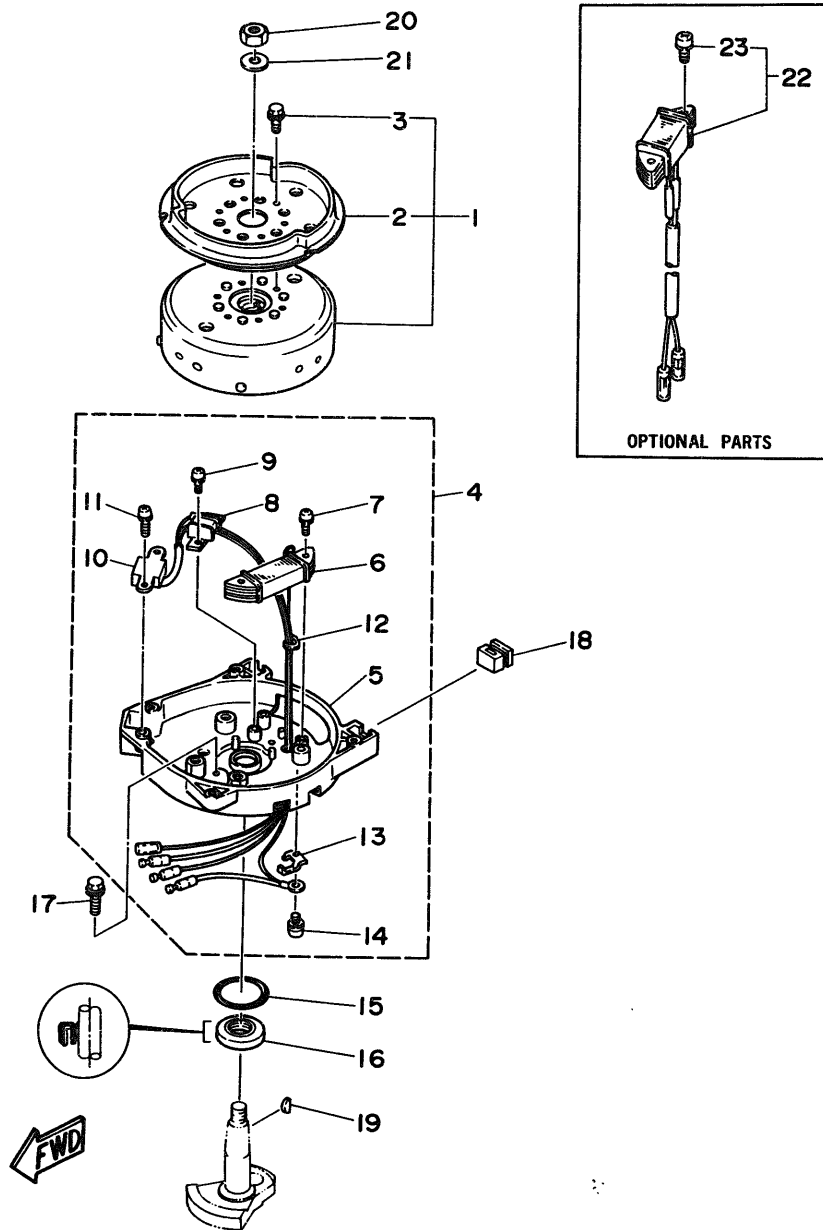


Fig. 7 LOWER CASING. DRIVE 1

Ref.No.	Parts No.	Description	Q'ty	Ref.No.	Parts No.	Description	Q'ty
1	6E0-45300-03-EJ	LOWER UNIT ASSY (Short)		30	97395-06045	BOLT	4
	(Ref.No. 2 to 11, 14 to 32, 35 to 48 and 53, 54)		1 UR	31	93604-18080	PIN, dowel	2
	6E0-45300-13-EJ	LOWER UNIT ASSY (Long)		32	6E0-44328-00	PLATE	2
	(Ref.No. 2 to 11, 14 to 32, 35 to 48 and 53, 54)		1 UR	33	6E0-44361-00	TUBE, water (Short)	1 UR
2	6E0-45311-02-EJ	CASING, lower	1	34	6E0-44361-10	TUBE, water (Long)	1 UR
3	6E0-45317-09	.BUSHING, drive shaft	1	34	646-44365-00	DAMPER, water seal	1
4	6E0-45316-09	.BUSHING, drive shaft	1	35	6E0-45511-00	SHAFT, drive (Short)	1 UR
5	93101-10M14	OIL SEAL	2	6E0-45511-10	SHAFT, drive (Long)	1 UR	
6	93306-004U0	BEARING	1	36	90467-08M01	CLIP	1
7	6L5-45251-02	ANODE	1	37	6E0-45551-00	PINION	1
8	97395-06012	BOLT	1	38	99001-06600	CIRCLIP	1
9	92990-06600	WASHER, plate	1	39	90201-11M49	WASHER, plate	1
10	90430-08020	GASKET	3	40	6E0-45560-00	GEAR	1
11	90340-08M04	PLUG, straight screw	3	41	6E0-45570-00	GEAR	1
12	90119-06M40	BOLT, with washer	2	42	90201-13M50	WASHER, plate	1
13	90387-06M14	COLLAR	2	43	6E0-45631-00	CLUTCH, dog	1
14	6E0-45321-01-5B	PLATE	1	44	90250-05046	PIN, straight	1
15	6E0-45315-A0	PACKING, lower casing	1	45	654-45633-00	RING, cross pin	1
16	97395-06025	BOLT	1	46	90501-10064	SPRING, compression	1
17	92990-06600	WASHER, plate	1	47	654-45635-00	PLUNGER, shift	1
18	6E0-45361-01-EJ	CAP, lower casing	1	48	6E0-45611-01	SHAFT, propeller	1
19	93306-004U0	BEARING	1	49	6L5-45987-01	SPACER	1
20	93101-13M12	OIL SEAL	2	50	6L5-45616-00	NUT, propeller	1
21	93210-48214	O-RING	1	51	91490-25030	PIN, cotter	1
22	95895-06016	BOLT, flange	2	52	90201-08M54	WASHER, plate	1
23	6E0-44311-00	HOUSING, water pump	1	53	6E0-44150-00	SHIFT CAM ASSY (Short)	1 UR
24	6E0-44315-A0	GASKET, water pump	1	6E0-44150-10	SHIFT CAM ASSY (Long)	1 UR	
25	6E0-44322-02	INSERT, cartridge	1 UR	54	6G1-44147-00	.BOOT, shift rod	1
26	6E0-44322-40	INSERT, cartridge (Chromate)	1 AP	55	6E0-45943-01-EL	PROPELLER (3X7-1/2"X7"-BA)	1 UR
27	6E0-44323-00	OUTER PLATE, cartridge	1 UR	6E0-45941-01-EL	PROPELLER (3X7-1/2"X8"-BA)	1 UR	
28	6E0-44323-40	OUTER PLATE, cartridge (Chromate)	1 AP	6E0-45949-00-EL	PROPELLER (3X7-1/4"X6-1/2"-BA)	1 UR	
29	93604-09066	PIN, dowel	1	56	6E0-45331-00-5B	HOUSING, bearing (Long)	1
				57	6E0-45318-01	BUSHING, drive shaft (Long)	1
				58	93420-22M03	CIRCLIP (Long)	1
				59	98580-05525	SCREW, pan head (Long)	2
				60	92901-05600	WASHER, plate (Long)	2

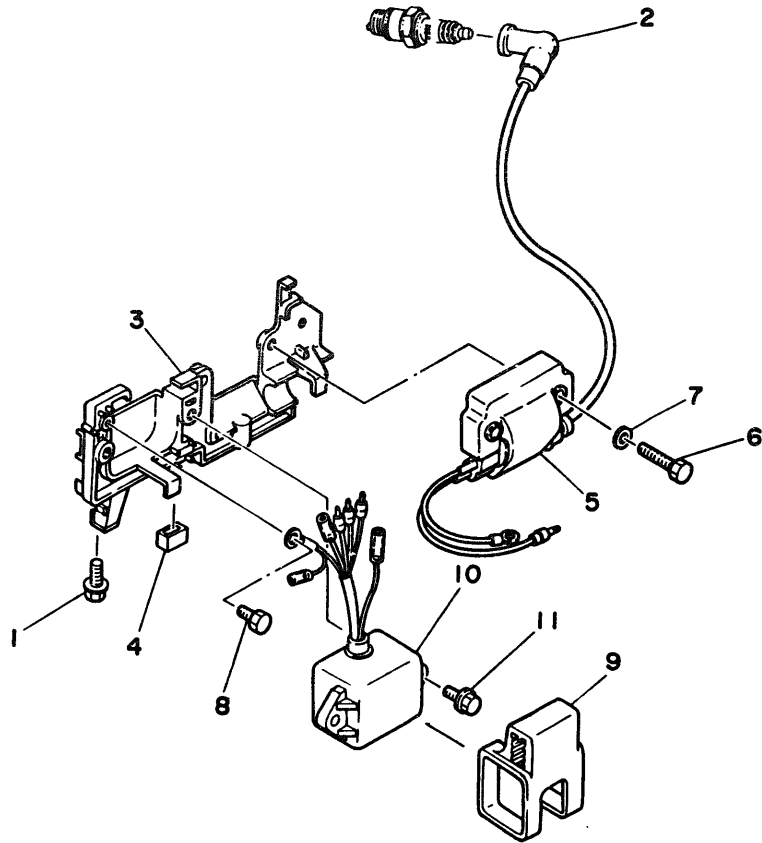
Fig. 8 GENERATOR



Ref.No.	Parts No.	Description	Q'ty	Ref.No.	Parts No.	Description	Q'ty
1	6E0-85550-71	ROTOR ASSY	1	13	6E0-81328-70	.CLAMP	1
2	6E0-15723-00-94	.PULLEY, starter	1	14	90159-04035	.SCREW, with washer	1
3	90105-06M14	.BOLT, washer based	3	15	93210-42159	O-RING	1
4	6E0-85560-70	BASE ASSY	1	16	93102-20M25	OIL SEAL	1
5	6E0-15359-00-94	.HOUSING, oil seal	1	17	95895-06016	BOLT, flange	2
6	6E0-85520-70	.COIL, charge	1	18	6E0-24183-00	DAMPER, locating 3	2
7	90159-05038	.SCREW, with washer	2	19	90280-04M06	KEY, woodruff	1
8	6E0-85595-70	.COIL, pulser	1	20	90170-10113	NUT	1
9	90159-04036	.SCREW, with washer	2	21	90201-10269	WASHER, plate	1
10	6E0-85592-70	.PULSER COIL ASSY	1	22	6E0-81303-80	LIGHTING COIL ASSY (60W)	1 AP
11	90159-05037	.SCREW, with washer	2	23	90159-05040	.SCREW, with washer	2
12	6E0-81336-70	.GROMMET	1				

Fig. 9 ELECTRICAL 1

Ref.No.	Parts No.	Description	Q'ty	Ref.No.	Parts No.	Description	Q'ty
1	95895-06016	BOLT, flange	2	7	92906-06600	WASHER, plate	2
2	661-82370-20	PLUG CAP ASSY	1	8	97395-06010	BOLT	1
3	6E0-82316-00-94	BRACKET, ignition coil	1	9	6E0-85548-00	HOLDER	1
4	6E0-82317-00	DAMPER, ignition coil	2	10	6E0-85540-71	C.D.I. UNIT ASSY	1
5	6E0-85570-21	IGNITION COIL ASSY	1	11	95895-06020	BOLT, flange	2
6	97395-06030	BOLT	2				



FWD

B4

Fig. 10 ALTERNATE 1 (4AS MODEL)

Ref.No.	Parts No.	Description	Q'ty	Ref.No.	Parts No.	Description	Q'ty
1	6Y4-W2420-80-24	FUEL TANK ASSY	1	10	6Y4-24306-80	FUEL PIPE COMP. 1	1
2	6Y1-24246-00	.GRAPHIC, side	2	11	6G1-24305-01	.FUEL PIPE JOINT COMP. 2	1
3	6Y1-24257-00	.GRAPHIC	1	12	93210-08287	..O-RING	1
4	6Y1-24610-12	.CAP ASSY	1	13	650-24351-51	.BAND 1	3
5	6Y4-24275-80	.FUEL METER COMP.	1	# 14	90445-11M05	.HOSE (L850)	1
6	6Y1-24268-00	.GASKET, fuel meter	1	15	6Y1-24360-51	.PRIMER PUMP ASSY	1
7	98586-05016	.SCREW, pan head	4	# 16	90445-11M06	.HOSE (L2050)	1
8	6Y1-24329-00	.SEAL	4	17	650-24351-51	BAND 1	1
9	6Y1-24255-80	.GRAPHIC, fuel tank 8	1				

Also available in 30m rolls. (Parts No. 90890-56878)

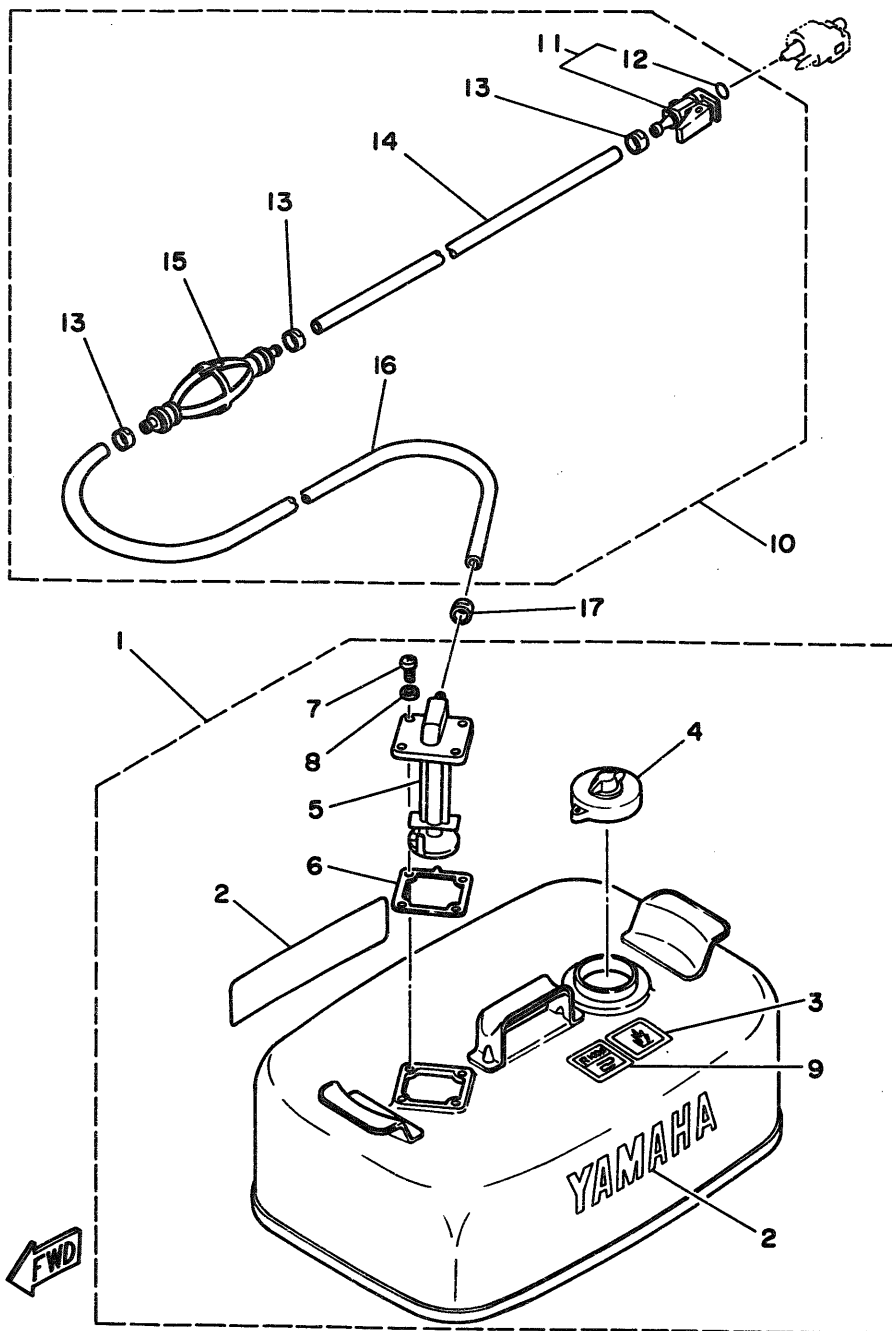
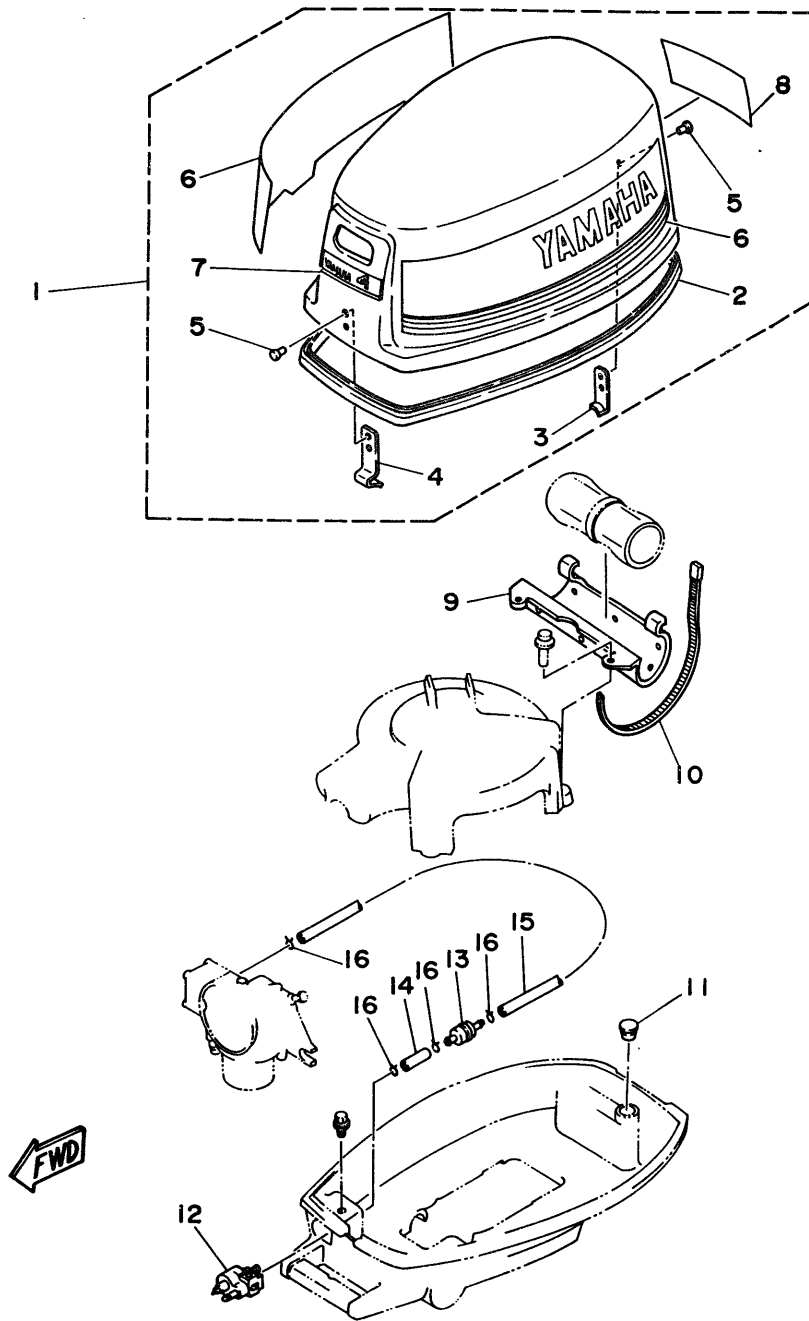


Fig. 11 ALTERNATE 2 (4AS MODEL)

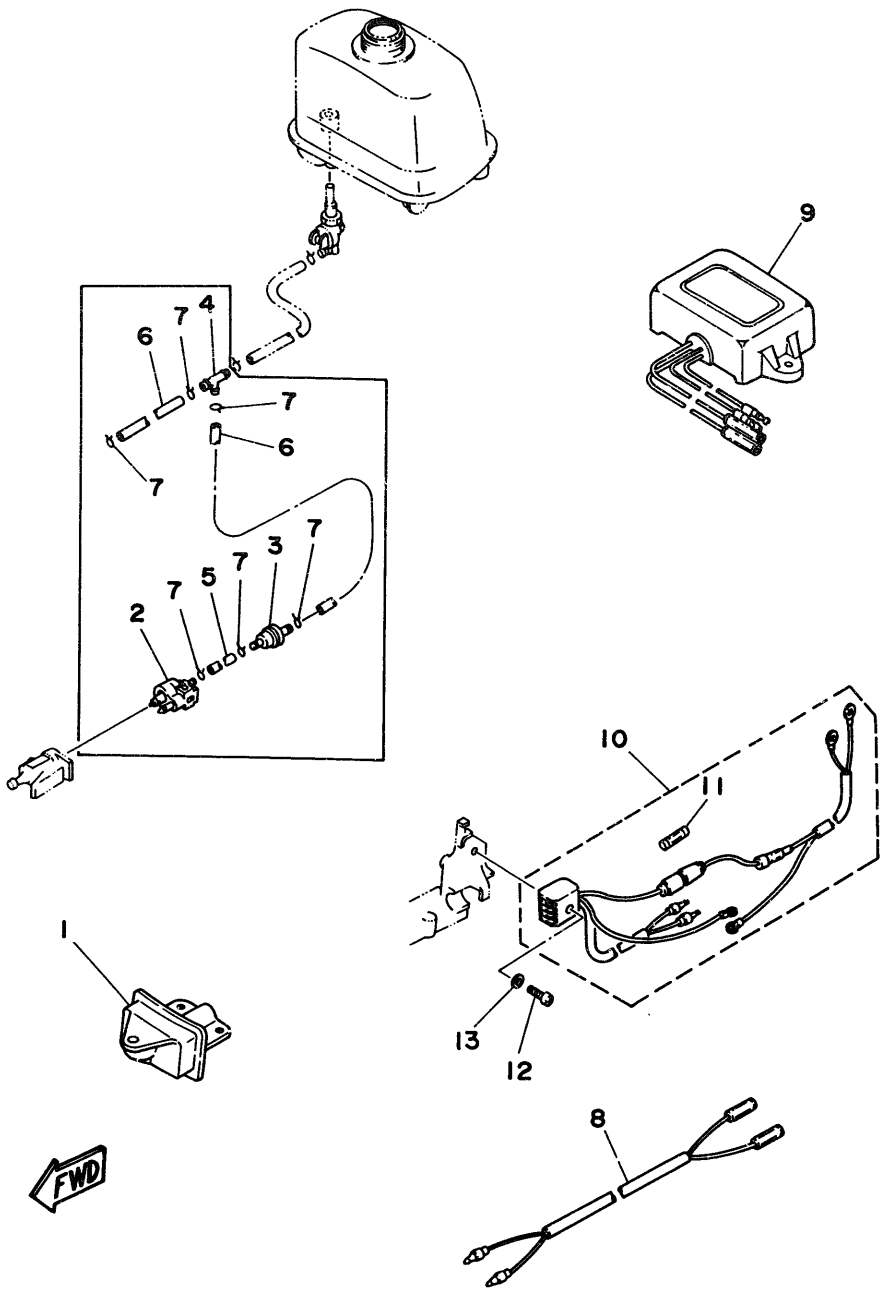


Ref.No.	Parts No.	Description	Q'ty	Ref.No.	Parts No.	Description	Q'ty
1	6E1-42610-25-EJ	TOP COWLING ASSY	1	9	6E1-42643-01	PLATE, clamp	1
2	6E0-42615-00	.SEAL	1	10	90464-14117	BAND	1
3	6E0-42647-01	.HOLDER, clamp band	1	11	GE1-24182-00	DAMPER, locating 2	2
4	6E0-42651-02	.HOOK	1	12	6G1-24304-02	FUEL PIPE JOINT COMP. 1	1
5	90266-04M00	.RIVET	4	13	646-24251-02	STRAINER 1	1
6	6E0-W0070-23	.GRAPHIC SET	1	14	90445-09057	HOSE	1
7	6E0-42677-10	.GRAPHIC, front	1	15	688-24313-00	PIPE 3	1
8	6E0-42678-11	.GRAPHIC, rear	1	16	90467-08004	CLIP	4

B6

Fig. 12 OPTIONAL PARTS 1

Ref.No	Parts No.	Description	Q'ty	Ref.No.	Parts No.	Description	Q'ty
1	6E0-15758-80-EJ	GUIDE, rope	1	8	6E0-83553-20	WIRE, lead	1
2	6G1-24304-02	FUEL PIPE JOINT COMP. 1	1	9	663-81910-10	VOLTAGE REGULATOR ASSY	1
3	646-24251-02	STRAINER 1	1	10	676-81970-00	RECTIFIER ASSY	1
4	688-24378-00	PIPE, joint 4	1	11	682-82151-00	.FUSE (12V-20A)	1
5	90445-09068	HOSE	1	12	98503-05025	SCREW, pan head	1
6	90445-09220	HOSE	2	13	92990-05600	WASHER, plate	1
7	90467-08004	CLIP	6				



B7

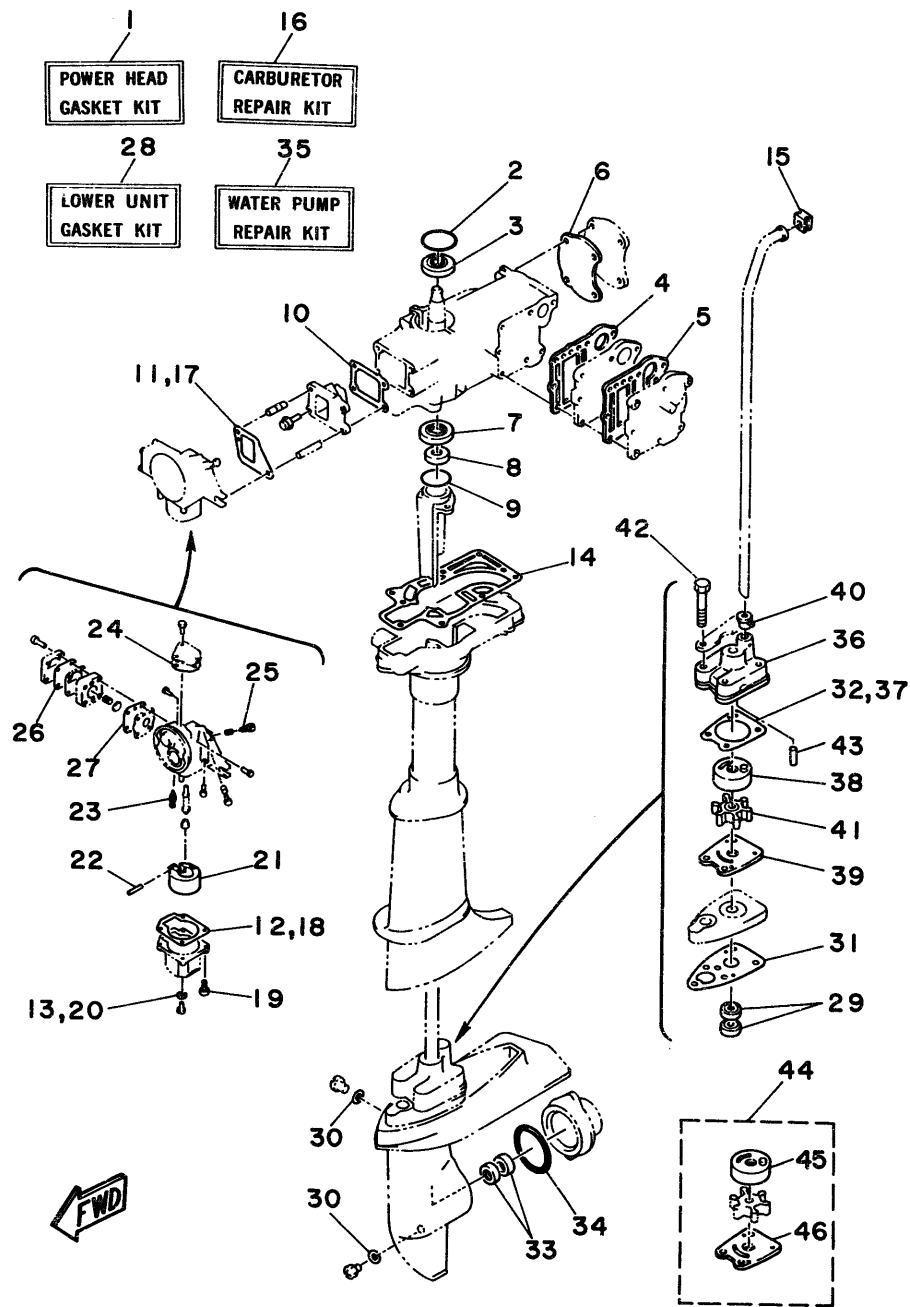


Fig. 13 REPAIR KIT

Ref.No.	Parts No.	Description	Q'ty	Ref.No.	Parts No.	Description	Q'ty
1	6E0-W0001-03	POWER HEAD GASKET KIT	1	24	6E0-14227-00	.GASKET	1
2	93210-42159	.O-RING	1	25	647-14323-00	.SCREW, air adjusting	1
3	93102-20M25	.OIL SEAL	1	26	6E0-24471-00	.DIAPHRAGM	1
4	6E0-41112-A1	.GASKET, exhaust inner cover	1	27	6E0-24411-00	.DIAPHRAGM	1
5	6E0-41114-A1	.GASKET, exhaust outer cover	1	28	6E0-W0001-21	LOWER UNIT GASKET KIT	1
6	6E0-11193-A1	.GASKET, head cover 1	1	29	93101-10M14	.OIL SEAL	2
7	93101-20M29	.OIL SEAL	1	30	90430-08020	.GASKET	3
8	93101-10M25	.OIL SEAL	1	31	6E0-45315-A0	.PACKING, lower casing	1
9	93210-31114	.O-RING	1	32	6E0-44315-A0	.GASKET, water pump	1
10	6E0-13621-A1	.GASKET, valve seat	1	33	93101-13M12	.OIL SEAL	2
11	6E0-14198-A0	.GASKET	1	34	93210-48214	.O-RING	1
12	6E0-14384-00	.GASKET, float chamber	1	35	6E0-W0078-02	WATER PUMP REPAIR KIT	1
13	6A1-14398-00	.GASKET	1	36	6E0-44311-00	.HOUSING, water pump	1
14	6E0-45113-A1	.GASKET, upper casing	1	37	6E0-44315-A0	.GASKET, water pump	1
15	646-44365-00	.DAMPER, water seal	1	38	6E0-44322-02	.INSERT, cartridge	1
16	6E0-W0093-02	CARBURETOR REPAIR KIT	1	39	6E0-44323-00	.OUTER PLATE, cartridge	1
17	6E0-14198-A0	.GASKET	1	40	6E0-44366-00	.DAMPER, water seal	1
18	6E0-14384-00	.GASKET, float chamber	1	41	6E0-44352-00	.IMPELLER	1
19	98580-04016	.SCREW, pan head	1	42	97395-06045	.BOLT	4
20	6A1-14398-00	.GASKET	1	43	93604-09066	.PIN, dowel	1
21	6E7-14385-00	.FLOAT	1	44	6E0-W0078-0A	CHROME PUMP KIT	1
22	647-14386-00	.PIN, float	1	45	6E0-44322-40	.INSERT, cartridge (Chromate)	1
23	6G8-14392-00	.VALVE, needle	1	46	6E0-44323-40	.OUTER PLATE, cartridge (Chromate)	1

NUMERICAL INDEX

PART NO.	REF. NO.	PART NO.	REF. NO.	PART NO.	REF. NO.	PART NO.	REF. NO.	PART NO.	REF. NO.	PART NO.	REF. NO.
6E0-W0001-03	13- 1	6E0-14384-00	13-18	6Y1-24360-51	10-15	6L5-42561-00	5-49	6E0-44315-A0	13-32	6E0-45943-01-EL	7-55
6E0-W0001-21	13-28	6E7-14385-00	2-11	6E0-24378-00	1- 9	6E0-42610-26-EJ	4- 1	6E0-44322-02	13-37	6E0-45949-00-EL	7-55
6E0-W0004-00	2- 2		13-21	688-24378-00	12- 4	6E1-42610-25-EJ	11- 1	6E0-44322-02	7-25	6L5-45987-01	7-49
6E0-W0070-23	4- 6	647-14386-00	13-22	6E0-24411-00	2-31	6E0-42615-00	4- 2	6E0-44322-40	13-38	6E0-81303-80	8-22
	11- 6	647-14386-10	2-12		13-27		11- 2	6E0-44322-40	7-25	6E0-81328-70	8-13
6E0-W0078-0A	13-44	6G8-14392-00	13-23	6E0-24412-00	2-28	6E1-42643-01	11- 9	6E0-44323-00	13-45	6E0-81336-70	8-12
6E0-W0078-02	13-35	6G8-14392-10	2-15	6E0-24413-00	2-25	6E0-42647-01	4- 3	6E0-44323-00	7-26	663-81910-10	12- 9
6E0-W0090-04-EJ	1- 1	6A1-14398-00	2-10	6E0-24423-00	2-29		11- 3	6E0-44323-40	13-39	676-81970-00	12-10
6E0-W0093-02	13-16		13-13	6E0-24434-00	2-32	6E0-42651-02	4- 4	6E0-44323-40	7-26	682-82151-00	12-11
6Y4-W2420-80-24	10- 1		13-20	6E0-24435-00	2-27		11- 4	6E0-44328-00	13-46	6E0-82316-00-94	9- 3
656-W2810-02	4-35	6E0-14417-00	2-36	6E0-24471-00	2-26	6E0-42677-10	4- 7	6E0-44328-00	7-32	6E0-82317-00	9- 4
6E0-11191-01-9M	1-21	6E0-14418-00	2-37		13-26		11- 7	6E0-44352-00	7-28	6G1-82370-20	9- 2
6E0-11193-A1	1-22	624-14485-00	1- 4	6E0-24500-00	4-28	6E0-42678-11	4- 8	6E0-44352-00	13-41	6E0-82550-00	4-34
	13- 6	6E0-15100-01-94	1- 2	6E0-24571-00	4-29		11- 8	6E0-44361-00	7-33	6E0-83553-20	12- 8
650-11370-00	1- 3	6E0-15359-00-94	8- 5	6E0-24572-00	4-31	6E0-42711-04-EJ	4- 9	6E0-44361-10	7-33	6E0-85520-70	8- 6
6E5-11372-00	1- 5	6E0-15396-03-5B	1-16	6E0-24575-01	4-32	6A1-42792-01	4-21	646-44365-00	7-34	6E0-85540-71	9-10
6E0-11400-00	1-31	6E0-15705-00	3-11	6E0-24591-00	4-30	6E0-42815-00-EJ	4-10	6E0-44366-00	13-15	6E0-85548-00	9- 9
6E0-11412-00	1-32	6E0-15710-03-94	3- 1	6E0-24610-02	4-23	6E0-42816-00	4-12	6E0-44366-00	7-27	6E0-85550-71	8- 1
6E0-11422-00	1-33	6E4-15711-71-94	3- 2	6Y1-24610-12	10- 4	6E0-43111-01-EJ	5-11	6E0-45111-02-EJ	13-40	6E0-85560-70	8- 4
6G1-11610-00	1-42	6E0-15714-01	3- 3	6E0-24641-00	4-25	6E0-43112-01-EJ	5-12	6E0-45111-02-EJ	5- 1	6E0-85570-21	9- 5
6E0-11631-00-98	1-41	6E0-15717-00	3- 5	6E0-26301-01	6-24	6A1-43113-01	5-19	6E0-45111-12-EJ	5- 1	6E0-85592-70	8-10
6G1-11633-00	1-44	6E0-15723-00-94	8- 2	6E0-28193-00-94	5-53	648-43114-01	5-13	6E0-45113-A1	1-47	6E0-85595-70	8- 8
6E0-11651-01	1-37	677-15741-01	3- 9	6E0-41111-01-9M	1-24	6E0-43116-01	5-14	6E0-45113-A1	13-14	90101-06335	5-22
6G1-11681-00	1-34	6G1-15755-00	3-14	6E0-41112-A1	1-25	6E0-43118-00	5-15	647-45151-01	5- 9	90101-08M07	5-17
6E5-12411-01	1-46	6E0-15758-01	3-15		13- 4	6E0-43160-01	5-36	6L5-45251-02	7- 7	90105-06M14	1-23
6E0-13610-00	2- 1	6E0-15758-80-EJ	12- 1	6E0-41113-01-9M	1-26	656-43165-01	5-37	6E0-45300-03-EJ	7- 1		1-30
6E0-13621-A1	2- 3	6E0-15761-00	3-16	6E0-41114-A1	1-27	6E0-43181-00	5-29	6E0-45300-13-EJ	7- 1		8- 3
	13-10	6G1-15779-00	3-12		13- 5	620-43189-00	5-32	6E0-45311-02-EJ	7- 2	90105-06M16	1- 7
6E0-14157-00	2-16	6E0-24110-00-EJ	4-22	6E0-41256-00	2-41	6E0-43311-04-EJ	5-25	6E0-45315-A0	7-15		1-29
6E0-14198-A0	2-33	6E0-24181-00	4-24	661-41262-02	2-45	6E0-43312-02-EJ	5-26		13-31	90105-06M17	1- 8
	13-11	6E0-24182-00	4-18	6E0-41271-00	2-42	6E0-43313-00-94	5-31	6E0-45316-09	7- 4	90105-06M24	1-28
	13-17	6E1-24182-00	11-11	6E0-41272-00	2-43	6E0-43614-00-5B	5-39	6E0-45317-09	7- 3	90116-06M08	2-47
646-14212-01	2-20	6E0-24183-00	8-18	6E0-42111-02-EJ	6- 1	6E0-43632-00	5-30	6E0-45318-01	7-57	90119-06M40	7-12
6E0-14227-00	2-17	6Y1-24246-00	10- 2	6E0-42119-00	6-14	6E0-44111-02	6-25	6E0-45321-01-5B	7-14	90149-05M13	6-19
	13-24	646-24251-02	11-13	6E0-42125-00	6- 9	6E0-44116-00	6-29	6E0-45331-00-5B	7-56	90159-04035	8-14
6E0-14301-03	2- 5		12- 3	6E0-42129-02	6- 2	6E0-44121-00	6-33	6E0-45361-01-EJ	7-18	90159-04036	8- 9
664-14321-01	2-21	6Y1-24255-80	10- 9	6E4-42129-00	6- 3	6E0-44143-00	6-35	6E0-45511-00	7-35	90159-05037	8-11
647-14323-00	2-19	6Y1-24257-00	10- 3	6E0-42131-02-94	6- 5	6E0-44143-10	6-35	6E0-45511-10	7-35	90159-05038	8- 7
	13-25	6Y1-24268-00	10- 6	6E0-42134-02	6-10	6E0-44145-00	6-38	6E0-45551-00	7-37	90159-05040	8-23
647-14326-00	2-23	6Y4-24275-80	10- 5	6E0-42137-10	6-16	6E0-44146-00	6-39	6E0-45560-00	7-40	90170-10113	8-20
6E0-14341-01	2-13	6G1-24304-02	11-12	6E0-42138-01	6-21	6G1-44147-00	7-54	676-45567-00-09	1-40	90201-06M30	3- 8
648-14342-23	2-22		12- 2	6E0-42159-02	6-22	6E0-44150-00	7-53	6E0-45570-00	7-41	90201-08M03	5-18
648-14343-40	2-14	6G1-24305-01	10-11	6E0-42177-00	6-15	6E0-44150-10	7-53	6E0-45611-01	7-48	90201-08M54	7-52
6E0-14346-00	2-30	6Y4-24306-80	10-10	6E0-42528-03	5-45	6L5-44196-00	5-50	6L5-45616-00	7-50	90201-10119	6-18
6E0-14381-01	2- 6	688-24313-00	11-15	6L5-42529-01	5-48	6L5-44197-00	5-51	6E0-45631-00	7-43	90201-10269	8-21
677-14383-01	2- 9	6Y1-24329-00	10- 8	6E0-42537-02	5-43	6E0-44311-00	7-23	654-45633-00	7-45	90201-11M49	7-39
6E0-14384-00	2- 7	650-24351-51	10-13	6E0-42538-02	5-44		13-36	654-45635-00	7-47	90201-13M50	7-42
	13-12		10-17	6E0-42542-00	4-19	6E0-44315-A0	7-24	6E0-45941-01-EL	7-55	90202-07M22	6-13

NUMERICAL INDEX

PART NO.	REF. NO.	PART NO.	REF. NO.	PART NO.	REF. NO.	PART NO.	REF. NO.	PART NO.	REF. NO.	PART NO.	REF. NO.
90202-12M16	2-44	90890-44372	3-13	93604-18080	7-31	98580-04016	13-19				
90202-12M17	4-33	91490-12012	6-12	93606-12019	5- 2	98580-05525	2-38				
90202-16061	6-28	91490-16010	6-37	93700-06M03	5- 8		7-59				
90206-12052	4-13	91490-25030	7-51		5-27	98586-05016	10- 7				
90206-16M06	6-27	91690-30008	5-38	94702-00272	1-48	99001-06600	7-38				
90209-18112	1-38	92901-05600	2-39	95380-06600	3- 7						
90250-05046	7-44		7-60		5-24						
90254-04M00	5-16	92906-06600	9- 7	95380-06700	2-34						
90266-04M00	4- 5	92990-05600	6- 7		4-15						
	11- 5		6-36		5- 7						
90266-04M05	5-52		12-13		6-30						
90269-02M09	6-20	92990-06600	1-20	95380-08600	5-46						
90280-04M06	8-19		2-35	95622-06325	2-46						
90340-08M04	7-11		5- 4	95780-08300	5-20						
90386-12069	4-11		5- 6	95895-06010	5-42						
90386-26M30	6- 4		5-23	95895-06016	2- 4						
90386-26M33	6- 8		6-32		3-17						
90387-06M11	5-21		7- 9		7-22						
90387-06M14	7-13		7-17		8-17						
90430-08020	7-10	93101-10M14	7- 5		9- 1						
	13-30		13-29	95895-06020	3-18						
90445-07M00	1-11	93101-10M25	1-18		4-17						
90445-07M28	1-12		13- 8		5-33						
	1-14	93101-13M12	7-20		6-40						
	1-13		13-33		9-11						
90445-07M32	4-26	93101-20M29	1-39	95895-06025	4-20						
90445-09M37	11-14		13- 7		6-34						
90445-09057	12- 5	93102-20M25	8-16	95895-06035	5-28						
90445-09068	12- 6		13- 3	97013-06035	3- 6						
90445-09220	10-14	93210-08287	10-12	97313-05020	6- 6						
90445-11M05	10-16	93210-12327	6-26	97395-06010	9- 8						
90445-11M06	11-10	93210-31114	1-17	97395-06012	6-31						
90464-14117	1-10		13- 9		7- 8						
90467-06016	1-15	93210-42159	8-15	97395-06016	1-19						
	7-36		13- 2		5- 5						
90467-08M01	4-27	93210-48214	7-21	97395-06025	7-16						
90467-08004	11-16		13-34	97395-06030	5- 3						
	12- 7	93306-004U0	7- 6		9- 6						
	5-10		7-19	97395-06045	7-30						
90480-10M13	4-16	93306-204U0	1-35		13-42						
90480-14M14	7-46	93310-112V0	1-43	97603-04116	2- 8						
90501-10064	6-17	93310-418V1	1-36	97780-40720	2-40						
90501-23215	5-47	93420-22M03	7-58	97890-04007	2-18						
90502-08M05	5-40	93430-06M02	3-10	97895-05012	6-11						
90508-14M10	5-41	93450-13022	1-45		6-23						
90508-14M11	5-34	93604-08062	1- 6	97895-06030	4-14						
90508-16020	5-35	93604-09066	7-29	97980-04120	2-24						
90508-16021	3- 4		13-43	98503-05025	12-12						
90510-08M03											