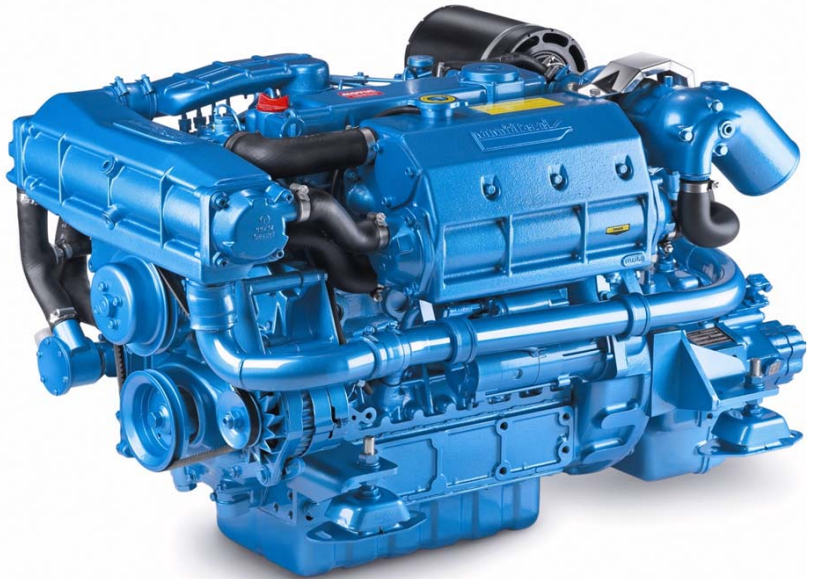


NEW



4.330 TDI

Kubota BASE

84,6 kW (115 hp)

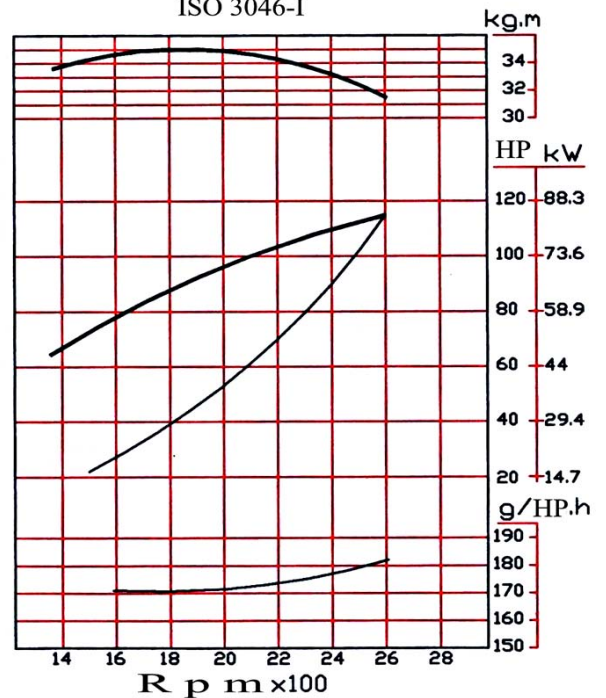
Technical specifications

Max power kW (hp)	84,6 (115)
RPM at max output rpm	2600
Displacement cc	3,319
Number of cylinders	4 in line
Bore / stroke mm	98 x 110
Compression ratio	21,8 / 1
Injection	indirect injection(E-TVCS)
Aspiration	Turbo intercooler
Cooling	Heat exchanger
Alternator	12 V 60 Amps.
Inst. panel	A 3
Gearbox	Hydraulic 8° ang.
Weight (incl. Gearbox) kg	364

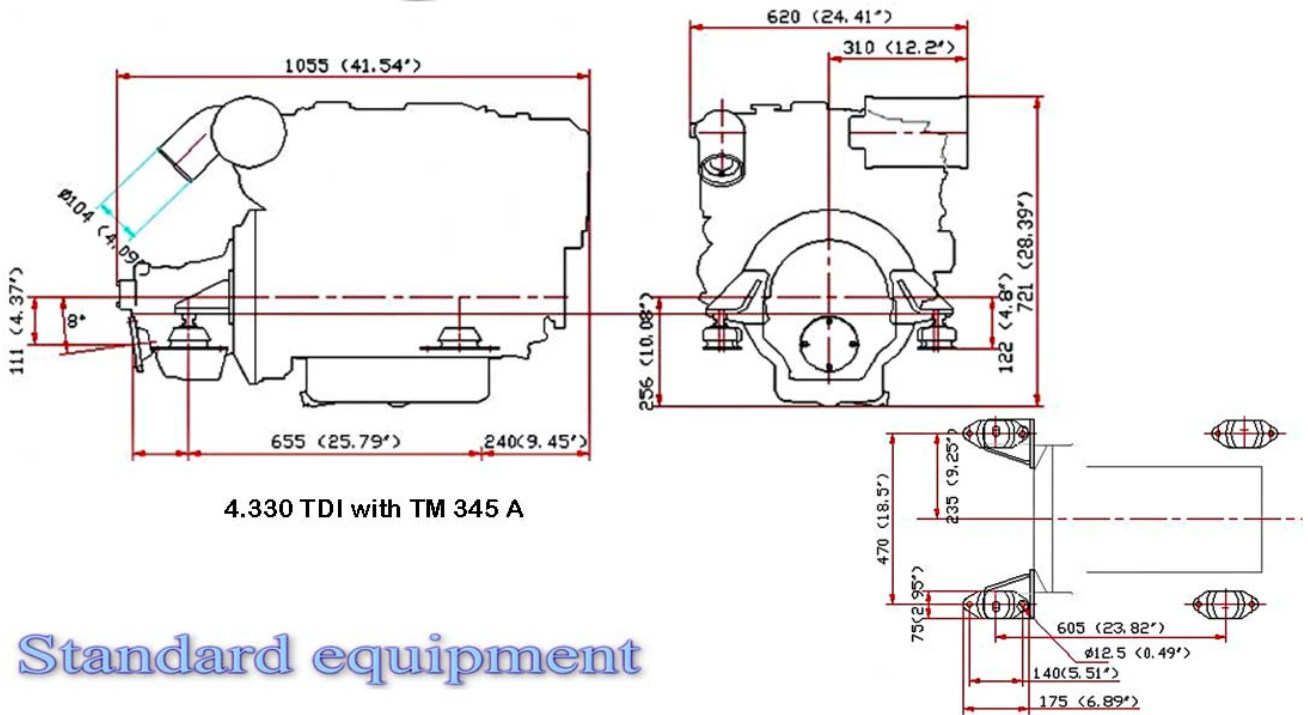
Diameters

Exhaust mm	104
Fuel pipe mm	8
Seawater intake mm	32
Installation angle max	7° (dinamic)

4.330 TDI
115 HP (84,6 Kw @2600 rpm)
ISO 3046-I



Line drawing



4.330 TDI with TM 345 A

Standard equipment

PANEL A 3

- Oil pressure pilot light and acoustical alarm
- Water temperature pilot light and acoustical alarm
- Alternator pilot light
- glow plug pilot light
- Ignition start stop key
- Gearbox TM / ZF A - H
- Control cables mouting points
- Flex mounts
- User's manual
- Warranty certificate



(205 x 120 mm)

- ➡ Heat exchanger
- ➡ Fresh water pump
- ➡ Thermostat
- ➡ Sea water pump
- ➡ Fresh water cooled exhaust manifo
- ➡ Exhaust elbow with water injection
- ➡ In line injection pump
- ➡ Fuel feed pump
- ➡ Fuel filter
- ➡ Oil filter
- ➡ Oil drain pump
- ➡ Electric system 12 V.
- ➡ Electric stop

Optional equipment

- Two-pole electric system
- PTO pulley
- Coupling
- Exhaust system
- Remote control
- Sea water hoses
- Fuel hoses
- Sea water filter
- Additional alternators

Dealers'stamp

