

SAILING MANUAL



For Corsair Trimarans



Sailing manual applicable to Corsair Trimarans

This manual has been compiled to help you to operate your craft with safety and enjoyment. It contains details of the craft, the equipment supplied or fitted, its systems, and information on its operation and maintenance. Please read it carefully and familiarize yourself with the craft before using it.

If this is your first craft, or you are changing to a type of craft you are not familiar with, for your own comfort or safety, please ensure that you obtain handling and operating experience before assuming command of the craft. Your dealer or national sailing federation or yacht club will be pleased to advise you of local sailing schools or competent instructors.

PLEASE KEEP THIS MANUAL IN SECURE PLACE, AND PASS ON TO THE NEW OWNER WHEN YOU SELL THE CRAFT

Model: _____
Hull Number: _____

Owner1: _____	Owner2: _____	Owner3: _____
_____	_____	_____
_____	_____	_____
_____	_____	_____

Built by:
Corsair Marine International
7 Go O Moi Street, Phu Thuan Ward, District 7, HCMC, Vietnam
Tel: +84.8.3873.3620, Fax: +84.8.3873.3621
Email: info@corsairmarine.com



TABLE OF CONTENTS

GENERAL	4
PREPARATION	4
LOADING	4
SAFETY COMPARTMENT	5
OUTBOARD MOTOR	6
TRAILERING	7
RIGGING	8
LAUNCHING	14
MAST RAISING ON THE WATER	18
RUDDER.....	19
DAGGERBOARD.....	19
MAST SETUP	20
SAILING.....	21
THE BASICS	21
ROTATING MAST CONTROL	25
WINDWARD PERFORMANCE	26
REACHING	27
SCREACHER	27
SPINNAKER.....	28
SPINNAKER JIBING	29
SPINNAKER SAILING DOWNWIND	29
SAFE SAILING RECOMMENDATIONS.....	30
SAILING HINTS.....	33
ANCHORING	34
BEACHING	35
RETRIEVING TO TRAILER	35
DE - RIGGING.....	38
LIFTING OUT	40
MARINA DOCKING	40
SAFETY.....	40
UNSINKABILITY	41
OFFSHORE SAILING	42
CAPSIZE	42
RIGHTING	43
PERSONAL RESPONSIBILITY	46
SAFETY IN GENERAL	46
TECHNICAL NOTES	47
WINCH LINE.....	47
SPRING RETAINING CLIPS.....	47
LAUNCHING.....	47
BEAM BOLTS	47



HOISTING MAINSAIL	47
BEARING AWAY	47
HEAVY HELM	48
RUDDER/DAGGERBOARD HUM	48
RUDDER VENTILATION	48
COMPRESSION PADS.....	49
WING NETS.....	49
FLOAT/BEAM VENTS	50
RUST	50
CLEANING FLOATS.....	50
CLEAN BOAT HINT	50
COLLISION	51
HURRICANE SURVIVAL	51
SPECIFICATIONS	53
CORSAIR SAIL PLANS:	55
CORSAIR ACCOMODATION PLANS.....	62
CORSAIR DECK LAYOUTS.....	68
TYPICAL TRAILER SETUP	92
MAINTENANCE & SAFETY CHECKLIST	93
MAST	93
RUNNING RIGGING	93
STANDING RIGGING	94
HULLS	94
BEAMS.....	94
FOLDING SYSTEM	95
TRAILER	95
CORSAIR DEALERS WORLDWIDE.....	96
USA.....	96
EUROPE	97
ASIA.....	98
SOUTH AMERICA.....	99
OTHER	99





GENERAL

This manual contains important information about the safe operation and maintenance of your Corsair built trimaran. Read it carefully, become familiar with the procedures described, and follows the recommendations to help make your sailing enjoyable and trouble-free.

Corsair trimarans are designed and built as high performance cruising trimarans, which when used as intended, with their enormous stability and unsinkability, are among the safest and fastest trimarans afloat.

PREPARATION

Before going sailing, you will need to provide the proper safety equipment as required by local regulations. This will usually include life jackets for all crew members, safety harnesses for children, anchor, compass, bilge pump, fog horn, First Aid kit, fire extinguishers, flashlight and batteries, life buoy, flares, a chart of the area to be sailed, food, water, and adequate fuel.

Also check weather forecast, know what you might be sailing into.

LOADING

Multihulls should be treated like aircraft when it comes to loading. Corsair trimarans are light, responsive craft, and due to their narrow waterline do not have an unlimited load carrying ability. Overloading can affect performance and handling, while excessive overloading can also affect safety margins, the ratio of float buoyancy relative to the



total weight falling. A higher ratio is faster and safer. Always be conscious of weight and take care not to carry unnecessary items.

The load-carrying capacity of the different Corsair models is listed in the back of this manual. Some overloading is acceptable for general sailing in sheltered waters, the only adverse affect being a loss in performance. However, an overloaded boat offshore in large waves can become dangerous due to greater loads generated in the structure, and the sluggishness which can prevent the boat from rising to go over, or with the waves, as it should.

When storing supplies, try to keep all heavy items located as low down as possible and in the **forward end of the cabin**. Avoid storing any heavy items inside aft of the main entry hatch, as too much weight aft can cause transom drag, affecting performance. Corsair models have a very buoyant bow, which actually **lifts** at speed, and additional weight should always be kept forward rather than aft.

Should your model have float storage, avoid heavy loads in the floats. These should only be used for light bulky items such as sails, fenders etc. Heavy weight in the ends of any boat, be it the bow, stern, or floats, can adversely affect the general motion.

To maintain a light boat, and that sparkling edge to performance, it is highly recommended that you go through everything on board several times a year, and take off any items that do not get used. This prevents the gradual buildup of unnecessary weight.

SAFETY COMPARTMENT

Before sailing, it is important that the safety compartment be loaded with the appropriate safety gear. This compartment is accessible from top or bottom and is usually located in a cockpit coaming, or under the cockpit seat.

Its purpose is to keep important safety equipment that should be available to the crew in any emergency situation, including a capsize. The equipment stored here should include flares, a handheld VHF radio, EPIRB (offshore), extra line, spare tools, cutting implements etc. **in watertight bags** (this is not a watertight compartment). **No multihull should venture offshore without safety gear in such a compartment.**



(Bottom safety compartment hatch C28 & Sprint 750 MKII.)





(The original prototype Dash 750, with outboard and under lugs rudder system. This type of rudder can be removed altogether for long distance trailering. Aft cockpit models all now use transom hung rudders.)

OUTBOARD MOTOR

The recommended motor size is given in the specifications at the back of this manual and this is more than adequate for most circumstances.

A long shaft motor is the minimum required, and the **extra long 25" shaft motors are the best**. A remote control can also help make operation very easy with aft cabin models. With weight being important, try to choose a light outboard.

There are a number of socialist 'Sail Boat' motors now available and some of these are designed for heavy, hard to push, displacement boats, and their propellers are effectively 'geared down' to give high thrust at low speeds. However, Corsair trimarans have a very easily driven hull and may not need such a propeller. The result can be the same as always driving your car in low gear. You will have plenty of thrust, but speed is low, and economy can be poor. These motors do have advantages, and if used, you may need to experiment with different propellers to get the best and most efficient performance. Refer to the engine manual for details of operation, maintenance and winter storage. Always be sure you have enough fuel for your planned trip.

The motor can be used while the floats are extended for folded and should always be tilted up when sailing.

The daggerboard **should always be down** when motoring, to prevent any sideways movement. If not, the boat will have a hovercraft like motion with wide skidding turns. With the board down, handling is excellent.



TRAILERING

The total towing weight can vary considerably, depending on model and options, and can be determined exactly by using a weighbridge. Check that the vehicle is approved and equipped as recommended by its manufacturer for towing this weight, and the capacity of the towing hitch is suitable.

While towing, watch for strong crosswinds. A Corsair is a relatively light boat for towing, but it still has considerable wind age. For easy, stable towing, the trailer should be balanced to have 5 to 10% of the total weight on the coupling ball. This can be measured by a bathroom scale. If you find 'fish tailing' occurs, increase this weight. If necessary, a simple change like shifting the gas tank or outboard forward can make a considerable difference to trailer behavior.

Trailer lights are fitted either on special brackets or as a separate light bar on the boat's transom. They are thus independent from the trailer, and the wiring never gets near the water, considerably improving reliability. If separate, be sure to fit the correct lights on the appropriate sides. The wire should be run along the top of the boat, looped around the foredeck cleat and then connected to the towing vehicle. Independent wiring avoid the frequent breakdowns that occur with wiring through the trailer being towed on its own, the lights can be mounted directly to the trailer.

Before trailering, check that tires are inflated correctly, the beam locking pins are in place, the rudder is fully up and tied to one side, the poptop or hatch is secured, and the boat is tied down to the trailer. There should be one tie-down per side, these being looped around the winches or brackets on the cockpit coamings, and tied to the tie-down loops on the trailer. The bow eye should also be tied down to the winch post, in addition to the winch line. Check that all the trailer supports always bear equally against the hulls.

When trailering, **be sure** to pivot up or remove the trailer jockey wheel, and that the hitch is locked on to the ball.

Should the mast extend back past the trailer lights by more than the legal amount, the appropriate warning flag should be tied on the back. The mast can be positioned far enough forward to eliminate any excessive over this may not be possible if the towing vehicle is a van.

When trailering, always allow extra distance for stopping. Particularly watch for **low bridges, overhanging trees or awnings** etc. if necessary, the boat can be partially unfolded on the trailer in order to pass under a low bridge.

CAUTION

Measure and know the overall height on the trailer. Care should be taken to avoid all low, overhead obstacles.



RIGGING

This procedure has been developed from over hundreds of launchings around the world and has proven to be safe and easy. Don't be disheartened if it takes you longer the first few times. This is not a race. After a few launchings this process will become easier as you are more familiar with your boat and your confidence builds.

Two people can have a 750, C28 rigged and launched in around 30 minutes. The Cruze 970 may take a little longer as everything is larger and heavier.

CAUTION

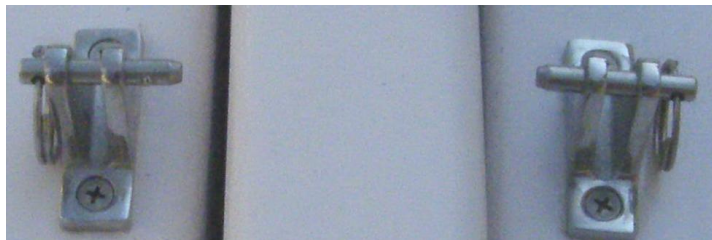
Always park into the wind, or uphill to help the mast stay in line while being winched up. Trailer should remain hooked to towing vehicle.

DANGER

Before starting to rig, check to see that there are no power lines for the mast not to touch while being raised, or while being moved to the ramp.

Recommended setup procedure is as follows:

1. Remove the trailer tie-downs, and the trailer lights. The tie-downs can be tied together and used as the bow line for launching. Saves stowing them, and then finding a bow line.
2. Undo the trailer winch hook, and pull some slack so the hook will pass over the bow roller. Leave it lying on the foredeck.
3. Place the mast raising pole on the foredeck for use. Climb onto the bow using the nonskid areas on the float bows as stepping points.
4. Move aft alongside the mast undoing the mast ties (at each end) and the rigging ties as you go.
5. Lift the forward end of the mast and walk aft, rolling the mast on the aft mast roller while checking that the rigging wires do not catch. Stop once the mast foot is over the pivot brackets.



(C28 & C31 pivot brackets.)



Now it is the time to fit any masthead indicator to the top of the mast. Lift the mast up until the indicator can be fitted to the masthead from the ground behind the boat. If rigging single-handed, the mast can usually be balanced in this position to enable fitting.

With C28 & Cruze 970 rotating masts, the mast yoke now need to be fitted to the mast foot using the through pin (yoke can also be fitted prior to rolling mast back, or be left on the foot at prior de-rigging). Another alternative is to attach the yoke to the deck first, then fit the mast to it.

6. The mast foot is connected to the mast step as follows:



(Dash/Sprint 750 MKII yoke.)



(C28, C31 & Cruze 970 yoke.)



7. Fit the mast raising wires these are led from the eye around 8' up the front of the mast (side of the mast with non-rotating masts) to the side anchors on the cabin roof (aligned with the mast pivot point). These raising wire anchors can be 'clip on' or 'lift up loops' or extra chain plates, depending on model.



(Mast raising eye on mast.)

Note that the length of these raising wires is adjustable and they should be slightly loose and monitored on the first mast raising. This is to ensure they cannot become over tight during the initial raising procedure. They should never be more than moderately tight, and, once adjusted and set, should need no further monitoring or adjustment.



(Raising wire eye on cabin top.)

An alternative to raising wires is to use the spinnaker and screacher halyards. These can also provide an extra backup in difficult conditions, but they do take longer to setup. If used, they must be cleated at the bottom to the mast

8. Position the mast raising pole on the mast in the yoke socket. Attach the wire from the top of the pole to the eye on the front of the mast, with the pole being approximately perpendicular to the mast.



If considered necessary, (strong cross winds or single-handed) additional light side lines can be fitted from the end to the raising wire anchors to stabilize pole sideways.

Where the yoke is used (C28 and Cruze 970 rotating masts) the length of the wire from the pole to the mast can also be adjusted, and a little experimenting will give an almost perfect moderate tension on the raising wires throughout the complete raising procedure.

9. Take the trailer winch line hook, pull it back over the pole and connect it to the jib halyard snap shackle (after it has been unhooked from the mast). Winch line should extend at least 2' aft of the mast pole fork.



(Halyard tied down as safety back up.)

Check to see that the jib halyard is **securely tied off** at the cleat on the side of the mast.

CAUTION

With rotating masts, the shrouds must always be connected to the floats. Otherwise there is a danger that mast could topple forward with over-winch.

10. The mast is now winched up, **checking again for power lines.**

Check to see that all rigging wires are clear and have not snagged anywhere, particularly aft chain plates on Cruze 970. Raising wires should initially be slightly loose, and tighten slightly on the way up.

WARNING

During mast raising it is very important to be alert to all items of rigging lifting or supporting the mast. If any resistance to raising is felt at point, **stop** and check that nothing has fouled. **Do not** proceed until any obstruction is clear



If the mast raising pole tends to twist sideways this can be controlled by light lines to the raising wire anchors as mentioned earlier.



(Mast on way up and being held from going sideways by raising wires.)

Check that socket in the rotating mast foot aligns correctly with the pivot ball on the deck, as the mast nears the fully up position.

CAUTION

Winch operator should be careful to ensure that the trailer winch line lies evenly across drum while mast is begin raised. With an offset bow roller, there can be a tendency for incoming line to pile up on one side of the drum, to where it can suddenly slip off.

Monitor the float shrouds with rotating masts on initial rigging to ensure they do not become too tight or catch on anything during raising. C28 (rotating mast) have a high field lever system on the float decks that allow the shroud enough slack for the mast to be fully raised when the float is folded, while preventing any danger of the mast topping forward. The 750's special folding geometry allows this on its own.

The Cruze 970 mast is large and heavy, with high loads, and extra caution should be taken to ensure it is not able to swing too far sideways. Never park in a cross wind or sideways on a slope, unless extra help is available to steady mast.

- 11.** Once the mast is fully up, connect forestay. At initial rigging mast rake should be set to around 3° to 4° , which is 1° to 2° more than the rake of the aft edge of the forward beams when viewed from the side. Once initial adjustment has been done, the forestay turnbuckle does not need to be undone during normal rigging or de-rigging, only the clevis pin is removed or inserted.





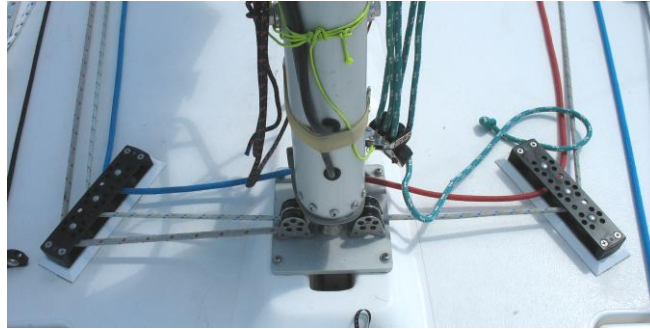
*(Always leave mast raising wires attached until **after** the boat is unfolded. 750 'fold down' anchoring loops shown here.)*

12. Once forestay is connected, slacken off the trailer winch, disconnect the jib halyard, and return it to the mast. Remove raising pole, mast yoke, rewind the winch and reconnect hook to the bow eye.

Leave mast raising wires attached to the mast, as these are still required for support until after the float are unfolded and shroud properly connected to floats.

13. The topping lift is now disconnected from the mast lower end and connected to the end of the boom to help take the weight. Remove the sail bag from the mainsail/boom and connect the boom to the mast.
14. Tighten all the battens in the mainsail, if required. Connect the mainsheet to the boom. Feed the mainsail head into the track on the mast and connect the main halyard.
15. Run all the halyard lines from the mast through the turning blocks back to the correct rope clutches on the aft end of the cabin roof.





(Lead halyards like this.)

16. Connect the mast electric plug if required.
17. The headsail can be fitted now if wished, or after launching. The sheets are laid out and connected to the clew (sheets can be kept in the anchor well for quick access). The headsail can be kept under control by a shock cord which can be left on the foredeck for this purpose. Just keep it hooked to the toe rail or pulpit.
18. Untie the rudder, and check that the daggerboard up-line is cleated. The outboard motor should also be in the up position.
19. The aft mast support is now removed and stored. You are now ready to launch.

LAUNCHING

WARNING

Before taking the boat to the ramp, check to see that there are no power lines for the mast to touch.

Back the trailer down the ramp until the trailer is submerged up until just past the inward bend of the side frame members (about 6 to 8' back the winch post).



(Submerge trailer to inward bend.)



Disconnect the winch hook and push the boat off, while holding on to the bow line, or you can get on board (but start the motor first before pushing off). Be careful of crosswinds or wind from the stern. The boat, with its shallow draft, will move quickly sideways in such conditions, and you should not launch until there is sufficient maneuvering room alongside.

This ability to go sideways is one drawback of shallow draft, and you should always make allowances when launching/retrieving or under power. First priority at every launch should be to lower the daggerboard! This helps to prevent any sideways movement, and gives excellent maneuverability under power.

The Cruze 970 is a large boat to handle at ramps, but because of its lightness, it is easy to move around. The trick is not to fight it, but to plan ahead what you are going to do, and gently guide it in the correct direction.

An offshore wind at the ramp is ideal, as the boat will just lie quietly downwind at the end of the bow line. It is just then a simple matter of boarding over the float bows, and backing off or just walking her over to a boarding dock, if available.

An onshore wind is the most difficult, as the boat will swing sideways once launched, and come towards the ramp. In this situation the boat should be held off the ramp from a central position on the side. You will find a balance point where it will lie evenly until you are ready to board.

If a dock is alongside it is a good idea to run a stern line to the dock, so that the stern can be pulled to the dock after launching, thus preventing it from swinging around.

A good way of launching in all conditions, if extra help is available, is for someone on board to start the motor before launching, and simply back the boat away from the ramp remembering, of course, to drop the daggerboard once clear of the trailer.

All models are always launched folded, and unfolding can be done either at the dock, or while motoring away, even in choppy conditions. Folded stability is very good, but it is limited, particularly on bigger boats like the C28 and Cruze 970. Always take care in strong crosswinds and avoid fast tight turns, as it is possible to roll the boat over! If necessary, immediately unfold at least one side to avoid any risk. The Cruze 970 also has a secondary wider folded beam of 9' 6" which improves folded stability, and if you intend motoring very far while folded, you should use this position.

WARNING

Always take care in strong winds while fully folded and with mast up. A combination of a fast tight turn and mast windage and weight could cause a roll over in such conditions. If in doubt, unfold one or both sides to eliminate this danger.





(Unfolding can be done at the dock or while motoring away. But beware, while folding stability is good, it is limited.)

To unfold, first check that there are no ropes across the beam recesses, and the tiller is clear. Remove the beam locking pins, **place your foot on the top of the upper folding strut**, grasp the top of the beam and pull downwards, while pushing with your foot.

WARNING

Always check that no one has their foot/hand/fingers in or near the recesses when folding, as the beams can come down quickly!

The float will unfold, but be careful it doesn't pick up too much speed towards the end. Hold the beam down and tighten the bolts using a speed wrench. These bolts should be tightened firmly, but **not over tightened**.

WARNING

The Beam Bolts must always be in place and tightened **before** sailing

If anything seems hard or difficult when folding, **stop** and see if anything is misaligned, or snagged. It is usually a wing net catching. Should you have difficulty in holding the beams down to tighten the bolts, then the usual cause is wing nets that have been lashed too tightly. These should be slackened slightly.

It is not necessary to hold both forward and aft beams when folding. One person operating either beam is all that is required. The wing nets will extend and tighten themselves. There is a knack in unfolding of using both your foot to push on the upper folding strut and your hands to pull the top of the beam in and down. After a few tries you will find it easy to do.





(Secure the lever by putting the locking pin through the three holes and place a locking ring. You should need a bit difficult to close the lever so there's enough tension on the shroud. Used on C28 and C31.)

The shrouds are now secured correctly to the floats, with the link plate (if fitted) being pinned to the chain plate. The 750 MKII does not require this, as its shrouds can be left permanently attached to chain plate.

Rotating mast shrouds only need to be moderately tight, even slightly loose as a tight rig can restrict rotation.

Once adjusted at initial launching, all turnbuckles can remain fixed, and should not require to be adjusted during launching or retrieving. Just the spring clip and clevis pin are inserted or removed in the turnbuckle toggle or link plate.

Once the mast is properly supported by the shrouds, the mast raising wires can be removed.

The spinnaker pole bowsprit can now be fitted or extended depending on model.





(Beam bolts must always be tightened firmly before sailing.)

MAST RAISING ON THE WATER

It may be necessary to sometimes launch with the mast down and raise the mast later. To do this you will need an additional strong block to attach to the bow roller/stern fitting. A spinnaker sheet block is ideal. The mast raising pole/yoke must also be carried on board.

Once in clear water, follow the same mast setup and raising procedures as listed under **rigging**, but instead of the trailer winch line, use a line from a sheet winch to the bow block, and then back to the jib halyard. The mast can then be winched up. The procedure is reversed of lowering.



RUDDER



(Cruze 970 transom hung rudder being lifted up.)

The rudder has 2 control lines, one to pull up and one to pull down. These are color coded, with red (for danger) to pull up, blue, for deep water, to pull down. The rudder will kick back, should it hit bottom hard enough, the pull down line pulling through the cleat.

At high speeds, the cleat alone may not be enough to hold the rudder down. In this case, an alloy lock/shear pin can be fitted through the case and blade as a positive lock down.

The rudder may also have an extra horn cleat on the tiller, and this should only be used if the hold down cleat is worn, and the lock/shear pin is not available. Never use the horn cleat where there is a danger of grounding.

DAGGERBOARD

Like the rudder, the daggerboard has 2 control lines, one to pull up (red) and one to pull down (blue). The daggerboard will not kick back, it being designed to break off should it ever hit bottom hard enough. This protects the daggerboard case from damage most cases a much more expensive repair. Obviously, one should still be careful around shallow waters, keeping alert, and the boat speed down. The daggerboard is very strong and will only break off with an exceptionally hard grounding. Normally you can expect the boat to come to a shuddering stop, with no damage, should you hit bottom at speeds less than 6 knots or so. It's then just a matter of retracting the daggerboard and continuing on your way.

CAUTION

Event at low speeds, grounding can cause the crew to be thrown forward, and care should be taken to prevent this, or to be prepared for it. Slow down in shallow water.

The daggerboard case itself is exceptionally strong, and is not likely to be damaged in grounding, though this cannot be guaranteed. Even with a lost daggerboard, your Corsair trimaran will still be sailable, and will still go to windward. In this case you should allow her to heel as far as possible, submerging the lee float to pick up lateral area.



When maneuvering in confined waters **always have the board down**. This promotes quick turns, preventing any sideways motion. In general, the board should always be down, except perhaps when running downwind in light conditions. However, no speed advantage has ever been proven for this, so it is probably easier to just leave it down.

The board should always be half to fully down when running or reaching in heavy winds or seas. It greatly enhances directional control, keeping the tiller very light.

Should you at any time find the helm heavy, then the cause is either, the daggerboard is up, or the rudder has kicked back slightly (always watch for this). Another possible cause can be the mainsail sheeted in too tight (a common fault). Even in the strongest winds, or the fastest 20 knot spinnaker run, the helm should always be light enough for easy one-handed control. If not, you should check for reasons why.

MAST SETUP

Rig tension and mast setup are very important for good sailing performance and while rotating masts do not require much rig tension (to allow full mast rotation), most owners do not tension fixed mast rigs enough. To avoid this, a simple rig tension gauge (loose type recommended) available at marine stores can be purchased, and this includes hints on tensioning your rig. Rigging wire will stretch a little initially and all settings should be checked after a few sails.



(C28 speeding upwind with tight mainsheet.)



All masts should be set up with some prebend (center of mast pushed forward). This will range from as little as 3" to 4" with rotating masts, to 3" to 5" with fixed masts. Mainsail should then be cut to suit this.

There is no correct amount of prebend, other than each mast should have some, and it can be used to control the mainsail shape to some. This means that if the mainsail is cut for say 3" prebend, less will make the main fuller for light airs. More will tend to flatten the main for windy conditions.

Prebend in Rotating masts is harder to adjust in this regard because of the mast profile, but the ability to rotate the mast can give an even greater control over mainsail fullness.

For good windward performance the forestay **must be tight** and thus cannot be emphasized too much. Fixed masts can control this by pulling on the shroud tensioners, and more mainsheet tension, but the superior mainsail shape due to the rotating mast, more than makes up for this.

An important rule, vital to the well being of all masts, particularly fixed masts, is to be sure that your leeward cap shroud never becomes **too loose**. Some looseness is not unusual, but if it is very loose and visibly flopping around, you could risk losing your mast. Loose rigging, will also greatly affect the performance of your Corsair.

SAILING

This manual is not intended to be a sailing instruction manual, and it is presumed that all owners will have a basic sailing knowledge and skill. There are however, many aspects of sailing a Corsair trimaran efficiently, and the following covers some of these:

THE BASICS

The mainsail is usually hoisted first. Turn directly into the wind and commence pulling on the halyard. You may find winching necessary to get the main fully up, and if fitted, use the jib halyard winch. If the boom roller furling system is fitted, the main will automatically unroll from the boom.





(Roller furled mainsail C31.)

Winch the halyard tight until all the wrinkles just disappear from the mainsail luff, no tighter, and lock the halyard with the rope clutch. The topping lift can now be eased.

All models sail and tack easily under mainsail alone. If you have lot of tacking to clear a channel then it may be much easier with just the main. You don't have to worry about tacking the jib, you won't be going too fast, particularly in crowded waters, and visibility is excellent.

The correct technique for sailing mainsail only is to sheet it free to avoid choking the boat. The traveler can be locked on the centerline, and the mainsheet slackened off so the boom is about 12" out from center. Your boat speed should be 5 - 6 knots in 10 to 15 knots of wind, even better with a rotating mast. If you find boat speed is less, then the problem is an over-sheeted main or trying to point too high.

There is a technique involved in sailing main only, and once learned how, it is a very relaxed form of sailing. The secret is to keep the main eased out more, particularly after a tack. Don't try to point high until boat speed has built up.

The jib halyard can now be connected and the jib hoisted. Tighten until the wrinkles just disappear from the jib luff, using the halyard winch if needed. There's no need to go any tighter. As the wind increases you will find the halyard will need tightening, again, just enough to just get the wrinkles out. Sheet the jib and you are sailing!

If available, two additional controls may be added to the mainsail at this stage, these being the boom vang (fixed masts only) which just snaps on, and the Cunningham eye tackle. A 4:1 fiddle block with cleat is snap shackled to the mast step, and the line from the top fiddle block is passed through the Cunningham eye on the sail and hooked to the horn cleat on the side of the mast. This gives an 8:1 purchase, and should be adjusted to just remove the wrinkles from the mainsail luff. Neither of these controls are essential for everyday sailing, their main purpose being to give more efficient control over the mainsail. Both must be removed when roller furling.



Corsair trimarans are sailed like any other yacht, the most notable differences being the response, lightness of the helm, and the low angle of heel. This ranges from an average of 5° to 10° to a maximum of about 15°.

Pointing ability is excellent, but care must be taken not to over sheet or try to point too high. Just a few less pointing, with sheets slackened slightly, can see boat speed jump from 6 or 7 knots to 9 or 10 knots.

When reaching, the headsail shape can be improved by using a barber hauler. This is a line hooked to the headsail clew, and led to a block attached to an eye on the float deck and then back to a camcleat on the cockpit coaming. Two barber haulers give a wide range of sheet adjustment. One can also be used on the boom to hold it down while running or reaching. This is much more efficient than the traditional boom vang and a good safety feature to prevent an unexpected jibe.

Several different reefing systems can be fitted, and all the control methods are well documented. The roller reefing boom as used on the 750/C28 and optional for the Cruze 970 is a very effective reefing system, being fast, easy to operate, and infinitely adjustable. Its other main advantage is the ability to easily roll up the mainsail for storage.

To reef, first disconnect the boom vang (if fitted) and Cunningham eye tackle. The topping lift should also now be used to lift the back of the boom a couple of inches above horizontal. This stops the main from creeping forward to bind against the mast when furling. This may not be required, depending on the cut of the mainsail.

Now take the main halyard around the winch and release the rope clutch. Go forward with the halyard held in hand, unlock the furling handle and begin turning. As the main is rolled down, let the halyard slowly run out to suit. When the main is rolled up sufficiently, lock the furling handle, let off the topping lift, return to the cockpit and retention the halyard. Reefing is complete.





(Roller furler handle.)



(Boom with reefing system on the Cruze 970.)

You should always try to locate the head of the reefed mainsail close to or just above a staying point, rather than in the middle of a unsupported mast panel. This avoids unwanted bending loads and reduces inverting the mast.

As mentioned previously, if you find a problem with the mainsail rolling up close to and jamming against the mast, this is usually caused by **not lifting the end of the boom sufficiently** with the topping lift.

You may also find it easier to regulate the speed at which the halyard runs out, as you wind the boom, by using the ball of your foot on the line just before it enters the mast.

A jiffy reefing system may also be fitted, in addition to the roller furling boom, and this can give slightly better sail control for better sailing efficiency.

To use, simply roller reef as described above, but only roll the main up until the selected jiffy reefing points are reached (two sets usually included as standard). Lock the furling handle as before, and then reattach the Cunningham eye tackle to the reefing tack eye.

Now unthread the outhaul line and rethread it through the new reefing clew eye. All the controls of a jiffy reefing system are now in place, except you don't have to tie off the



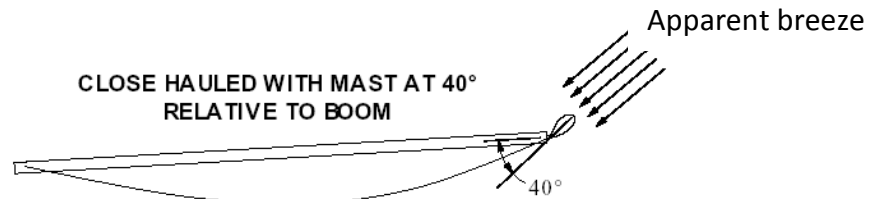
sail it being already neatly rolled around the boom! It is advisable to take a line from the Cunningham eye forward and around the mast. This avoids the possibility of the bolt rope pulling out of the mast groove.

ROTATING MAST CONTROL

The correct rotation of a rotating mast will give a much more efficient and powerful mainsail. It is thus important that the rig not be set up too tight as this can prevent full rotation.

There are many opinions on what the correct amount of rotation should be, but a general guideline is to keep the mast rotated enough to give a smooth, even, transition from the mast to the mainsail on the leeward side.

Achieving the right amount of rotation will improve your speed and mainsail shape by pulling the apparent breeze through the slot efficiently. The amount of rotation will vary between 35° to 90° degrees.



(Mast rotation.)

Avoid allowing the mast rotate or swing back and forth, which can happen in light winds combined with waves, or when sailing off the wind with less sail pressure. This is usually prevented by having the mainsheet angled forward from the boom, which forces the boom forward to keep the mast rotated when pulled tight.

The amount of mast rotation is controlled by a line to the rotation arm on the mast from either the boom or the deck. This act as more of a preventer than a positive control. The mast will naturally rotate in position. Generally in line with the apparent breeze. The control line will prevent the most from over rotating. A line from the boom has the advantage of being self-tacking, by maintaining the mast at a constant rotation angle relative to the boom on all points or sail. However, the control line will have to be detached from a roller furling boom and transferred to an eye on the deck when furling the main.

A control line from the deck is also self-tacking, but it does not automatically adjust for different angles of sail. It will thus need to be let out when bearing off. Some racers like to fit two lines to the deck, one from each side for absolute control, but this can also be just another complication and is not necessary fir general sailing.



WINDWARD PERFORMANCE

All corsair models will point very high if set up and sailed correctly, but this can also be very dependent on the crew's skill. It is possible to point just as high as a mono hull, but this may not be the fastest way to windward. A good multihull is capable of much higher speeds to windward than a mono, which also brings the apparent wind forward, to where pointing will be much greater.

One thing to avoid is over sheeting the headsail, as while pulling this on very tight will guarantee a good pointing angle, the boat speed may be slow. The correct way is to let the sheet out 1"-2" from being tight on, so that the curve of the headsail leach matches the curve of the mainsail. It should then not backwind the main, and your pointing angle and boat speed should both be excellent.

Once you have achieved good boat speed, then experiment by tightening sheets very slightly, pointing slightly higher, while trying to maintain the same boat speed.

The mainsail traveler should be around 6" to windward in lighter conditions, then around the centerline in moderate winds, and as the wind increases, moved outboard slightly and more mainsheet tension applied. In very strong winds the mainsheet should be pulled on as tight as possible. Stand above it and pull it on as hard as you can - most sailors don't have this tight enough in strong winds. A tight mainsheet helps keep the forestay straight for good pointing ability.

If the jib is backwinding the main, open the slot, by moving the traveler a little more to center. Keeping an open slot between jib and main is crucial to good windward performance, as any backwinding of the main will choke the boat. Equally as important, the jib must be relatively flat with **no hook** in the leach, and not over sheeted. Leach battens are highly recommended to keep the leach flat.

If set up and sailed correctly, a Corsair trimaran will match the windward ability of the best mono hull racers, 20% to 30% larger. Pointing high and going fast is one of the hardest things to achieve in any boat, but with a little care and tuning a Corsair is one of the best.

Achieving good windward performance can be very satisfying, but it does depend on a lot of factors being right.



REACHING

When reaching, it is vital that the mainsail be let out far enough. A common mistake is to sheet it in too tight, with loss of boat speed, a heavy helm and an excessive heel angle.

Always remember you will generally go faster by easing the sheets out. Pulling them on tighter is more likely to slow you down.

Your mainsail should have leach tell tails fitted as standard. Watch these, and should they disappear behind the mainsail to leeward, then you are sheeted in too tight. They should always be flowing aft.

In light winds the mainsheet system can tend to bind and be hard to let out. To overcome this there is sometimes a lever on the side of the camcleat block that disconnects the ratchet. The mainsheet system will then run out easily.

The headsail should also be barber hauled out to the floats when reaching. This is used to get the perfect shape in the headsail (so that it doesn't backwind the main), and will boost reaching performance significantly.

SCREACHER

This is an optional roller furling wire or kevlar luff combination genoa/screacher, flown from the spinnaker bow pole.

This multipurpose sail can be a perfect all-around, first choice, additional sail for cruisers, or an essential powerhouse for racers, it is still a developing sail in many respects, and offers some significant and worthwhile advantages.

It can be used very effectively to windward in light airs, and for reaching in moderate airs. It thus eliminates the regular hank on genoa, while providing more sail area, and it is easier to change headsails. The jib is just dropped and the screacher unfurled when required. Sheeting is to a simple strap around the aft beam, which can be moved in and out for the correct sheeting angle.

For the best windward performance, it is very important to keep the luff tight, and many racing owners have even fitted 2 to 1 halyards to keep the clutch loads lower. However, the risk of twist when hoisting can then be higher, and cruisers will usually not experience the sort of high loads that some hard racers can induce, in the search for the ultimate performance.

The screacher can be tacked easily when needed by rolling up and then unrolling on the new side.



Note:

When you use your screacher the F-stay will become slack. It is important that when you back to sailing with the jib, that the tension be eased off the screacher. That way the mainsail load will be transferred to the F-stay for better jib shape and performance. Or you can lower the furled screacher, along the wing net to reduce the weight aloft.



(All sails trimmed to work to work together.)

SPINNAKER

The spinnaker is a very easy sail to use on a trimaran, due to the wide beam and level sailing. The spinnaker thus becomes a very practical and safe sail for family sailing, with very few control problems. All Corsair models use an asymmetric spinnaker, which are the easiest to use, and the fastest if used correctly.

The asymmetric spinnaker can be launched from the leeward wing net, or main hull bow, and the sheets led back to blocks on the floats near the aft beams for general all round performance. For better pointing ability, particularly when tacking downwind, a closer sheeting angle is better, and the ideal position will vary depending on spinnaker. A block on a movable strap around the aft beam gives plenty of options in this regard.

The tack line is led from a block at the end of the pole back along the main deck to a cleat on the cabin roof at the aft end. To set, connect tack line, sheet, and halyard. Full on tack line until tack is at the end of pole, hoist and then sheet in.





(Racing with spinnaker.)

SPINNAKER JIBING

The asymmetric spinnaker can be jibed either through inside in front of the screacher or forestay, or around the outside. With 'inside' jibing the sheets are run between the spinnaker tack and the screacher if fitted, forestay if not. Outside jibing requires the sheets to be run outside the spinnaker tack.

Inside jibing is probably the most common, as outside jibing does have the risk of a sheet going under the boat, though this is lessened using a continuous one piece sheet. The advantage is that the sail does not have to fit through the narrow slot between spinnaker and screacher.

With inside jibing, the skipper should start turning slowly while the crew eases the sheet to keep the sail full. As the clew nears the slot, or the spinnaker starts to collapse, the new sheet should be quickly pulled in to pull the spinnaker through the slot and around, while also releasing the old sheet.

Outside jibing procedure is similar, with the crew waiting until the clew reaches just in front of the headstay, and then pulling in the new sheet, with the sail going around the outside.

In all cases is very important that the skipper turns slowly, and then heads up to fill the before coming to the right course.

SPINNAKER SAILING DOWNWIND

On first using an asymmetric spinnaker you may be disappointed with downwind performance with a fixed mast-unless you take note of what is said here. The asymmetric cannot match a full symmetric spinnaker straight downwind because of the smaller, flatter area, and a restricted ability to project to windward. The major advantage is considerably easier handling, and superior reaching performance.



Tacking downwind does not work well with fixed masts, as the mast interferes with mainsail flow, and the main is thus not very effective. A rotating mast is much more efficient and such boats can achieve a very large performance increase, making downwind tacking the fastest way to go.

However, the same effect can be achieved with, besides increasing area, helps smooth the flow over the mast and main with spectacular results.

The basic technique/rule is to sail downwind while keeping the apparent wind at about 90^o, trimming the sails so they are not stalling or luffing. The jib, for instance, should be sheeted to the float just aft of the forward beam. The extra speed generated will pull the apparent wind further forward, allowing you to go deeper and deeper while maintaining a very high speed. Just keep the apparent wind at around 90^o. It can be tricky to get the right angles, but if done correctly, the results can be devastating. So try it! Flying the jib inside the spinnaker may also help improve performance with a rotating mast in light winds.

SAFE SAILING RECOMMENDATIONS

DANGER

Be fully aware that it is possible to capsize any multihull and the following rules should always be observed for safe sailing.

1. Reduce sail early as follows:

- a. Genoa/screacher should be replaced by jib wind speeds greater than 12 knots.
- b. Main should be reefed to first set of reef points when wind reaches 20 knots.
- c. Main should be further reefed to second reef points when wind reaches 25 knots.
- d. In winds over 35 knots main should be roller reefed to 4th batten from the top and jib replaced by storm jib.
- e. Over 50 knots, main should be furled more, or completely, leaving only the storm jib.

If necessary, all sail can be taken off and a properly set up storm parachute anchor put out. This is now a well proven method for a multihull to survive even the worst offshore storm. It appears to virtually eliminate the danger of capsize from both extreme wave action and hurricane force winds.

Other variations of the above are possible depending on the circumstances. Experienced and alert racing crews can delay reefing to even well beyond the above limits.

A quick way to reduce sail, and achieve a very comfortable and safe motion is to simply drop the jib and sail under main only. Reefed if considered necessary. This avoids the need to tack the jib and the fully battened main remains docile and easy to handle.



Sometimes when running downwind, it is better to drop the main and run under jib only. Corsair built trimarans can go to windward and tack while sailing under either jib or mainsail alone.

2. When winds are strong and gusty, and the boat is being sailed hard, then always have the sheet of the largest sail up, be it the mainsail, genoa, or spinnaker, in hand, ready for quick release. Use only the camcleats provided and never use self-tailers as cleats in high winds- they are too difficult to release fast.

Always be ready to release the sheets if you feel the boat is being pressed too hard. Instruct your crew to do likewise. If concerned, then just reef until you comfortable.



(This is definitely not safe sailing with a novice crew aboard!)

DANGER

Never leave the sheets unattended, if un - reefed and the wind is exceeding 20 knots.

If being pressed while reaching then it is better to **bear away downwind** than round up. The boat will slow down, and mast momentum from the turn is to windward, reducing heel. Round up and speed may increase surprisingly, while mast is thrown to leeward, heeling the boat more.

The only time to luff up is while hard on the wind do not bear away in this case feathering the sails until any gust passes by.

In general, your visual indication of being overpowered is when the leeward float is pressed far enough down to have waves regularly wash over it. If cruising with your family, then you should reef before this for the best comfort. If sailing for speed, this is not of great concern, providing the crew is vigilant, and this sort of sailing has been done for hours at very high speeds.

It is not unusual to drive the low resistance float bows through waves, or even submerge the float in some circumstances. This has been found to have no adverse



effect on the boat, and fact the boat will tend to round up slightly, not slew too leeward as commonly and mistakenly believed. Early completely submerged the leeward float, with no ill effect on the boat. However, this is sailing on the limit, and don't push your luck unless prepared for a ducking.

3. Beware of being caught side on, with little speed and with all sails sheeted in tight. This can happen after a tack if concentration is lost.
4. If caught in a severe thunderstorm, a simple safety procedure is to drop all sail and simply let the boat drift. You will lay side on to the wind which is quite safe, unless the waves are very large, in which case you should steer off downwind. Corsairs will steer quite well from a reach to run with no sails up in nay winds over 5 knots - try it sometime. It is even possible to round up into the wind.
5. Another safety procedure in a severe storm is to simply drop all sails and anchor, which is probably not used enough as a safety procedure. It is very effective. At sea a storm parachute anchor has the same effect.
6. Always listen to the latest weather forecast before you set out on nay sailing trip.
7. Always leave yourself a large safety margin, be it while sailing, or simply motoring around.
8. Always carry full safety gear, including life jackets, as required by U.S. Coast Guard and local regulations.



(For safety, always wear a life jacket and when sailing hard. Always keep the sheet in hand ready for instant release.)



The above procedures will give a high margin of safety and should always be observed whenever safety is paramount. If absolute performance is required, and an experienced crew is aboard, the above limits can be comfortably exceeded. In some earlier sea trials full sail has been carried in over 40 knots of wind, including the spinnaker. This is not for the inexperienced however, and any skipper doing such sailing must be prepared for and accept the responsibility for the extra risks involved. It should not be done offshore.

SAILING HINTS

Corsair trimarans have several unique sailing features, one of these being the ability to make continuous 360° turns in the one spot. To do this, while going to windward for instance, just tack, but don't touch any of the sheets. You will continue to turn, jib, and tack again indefinitely. Can be a handy tactic on starting lines.

A simple way of heaving is to just tack as above, but immediately put the helm over to turn back into the wind, with the jib sheeted on the windward side. This prevents tacking again and the boat will instead fall off. The rudder then takes over again and turns the boat back into the wind. You will then stabilize like this, just off the wind, moving forward very slightly. The helm can be lashed over and you now have a stable, barely moving work platform to do any needed repairs, stop for lunch, or just wait for someone else to catch up!

Should you ever lose the rudder, for whatever reason, don't despair. Among the repertoire of tricks is the ability to sail without the rudder. It takes a little practice to get right, and it is worth practicing sometime. Pull the rudder fully up (first making sure you have plenty of room). Now, to go to windward, you sheet the jib or genoa as per normal but let the main right out. Pull the main on slightly and you will begin moving. Pull the main on and you will come higher, let it out and you will go lower. Pull the main hard on and will tack. Immediately let it right out until you stabilize on a reach, and then start pulling it in until you are going high again.

This takes a bit of practice to get it right, and for a time you will be all over the place, but after a while you should be able to work your way to windward, tacking too, just by adjusting the mainsail.

You can also sail surprisingly affectively without any sails. The mast alone is sufficient to get steerage way downwind, and once moving you can bring her up on to a reach, even back into the wind. This can be a handy feature for coming into a ramp or dock at a greatly reduced speed.

Another feature is the ability to back up. This takes a bit of practice, but by turning into the wind, and waiting until she starts going backwards, you can control this backing for as long as you want. Just steer the rudder whichever way you want to go. Can be useful in backing off a beach, or away from a dock - just let her go back, swing off a beach, or away from a dock - just let her go back, swing around once in clear water, and then accelerate away.



The high potential speeds possible with rotating masts off the wind can be intimidating to new multihull sailors, and, if necessary, the potential speed can be reduced to a more comfortable level by reducing sail or by under rotating the mast, which depowers the mainsail. More rotation can be used as one becomes comfortable with the speeds possible.

When spinnaker running before very large seas offshore, with boat speeds of 20 knots or more, there can be a danger of pitch poling. This can be caused by pressure from the mainsail which cannot be caused downwind should the bow dig in. The **solution is to drop the mainsail**, which virtually eliminates this risk. This rule only applies to racers, as cruisers should have reduced sail well before this even becomes a danger.

The limit for racers with modern rigs will always be nose diving, though this is hard to do with a Corsair design, due to their characteristic 'high bow' sailing stance. The C28, for instance, at speed, frequently has the complete center hull bow section out of the water, the waterline beginning just in front of the daggerboard. This comes from the wide flat swept up aft sections of the main hull which generate negative lift, actually sucking the stern down.

This characteristic can be maximized when needed with high speed racing downwind, by moving the crew inboard and aft to the back of the cockpit. This keeps the flat aft sections of the center hull in the water and the bows very high, by increasing the negative lift at the hull aft sections. This works most effective on aft cockpit rotating mast boats, where the heeling component of the sails is less than the fixed mast, that being angled more forward.

Also important for the best performance, by minimizing wetted surface area, is to move crew weight well forward in light to moderate winds, to keeps the bows down, countering the stern negative lift.

The boat should also be heeled to leeward (crew on leeward side) when sailing to windward in light winds, just as with a mono. This keeps the sails in a more efficient shape.

ANCHORING

Trimarans tend to be lively at anchor, due to their light weight and shallow draft. They like to sail from side to side, which can be annoying. This is simple to overcome by using a bridle setup to each float bow. These have eyes fitted as standard, for a block to lead the bridle lines aft.

When anchoring, just lay out your anchor as normal, over the main hull bow roller. Set up the rope bridles, running through the blocks on the float bows and back to the spinnaker coaming winches. Bring the 2 bridle lines together in the center of the boat and attach to the anchor line. Let the line out further until the take over the load. You will then have a well behaved boat.



BEACHING

One major multihull advantage is the ability to come right into a beach. You can either pull in far enough so that the boat cannot move around (which can wear out your expensive bottom paint) or anchor just far enough out so that the boat remains floating in 2 or 3" of water.

RETRIEVING TO TRAILER

After sailing is finished, the jib is dropped and the mainsail is roller furled. Remember to lift the boom aft end as required with topping lift for smooth roller furling. Once fully rolled, you should then mainsail with one hand, and reverse wind the boom with the other. This loosens the tightly rolled main, preventing any wrinkles, and relieves any bending force on the battens.

The floats can be folded before arriving at the ramp for reduced beam, and this also allows the float bows to be very useful step - off points, if needed. Use the secondary wider folded position on the Cruze 970 if windy and there is still some distance to the ramp. Prior to folding, with all rotating masts, the mast raising wires must fitted.

WARNING

Rotating masts must be supported by raising wires before disconnecting shrouds, or mast could fall.





(The advantages of multihull with shallow draft can be easily seen. Sometimes you don't even need anchor. Just pull up at the nearest beach.)

Before folding, first check to see no one is on the side being folded, and then undo the beam bolts. The beams on the side first released may spring about 12" into the air as the last bolt is undone. Hold the top of the beam and lift upward to fold, **taking care not to let the float swing in too fast against the center hull** which could damage the stops. You will have to slow it slightly. Insert the beam locking pin. If the float does not fold in fully, the usual cause is the wing net catching on the aft corner of the cabin side rail. To correct, just push the wing net down under the cabin side rail.

WARNING

Take great care while folded in wind of 25 knots or more. A combination of a high cross wind and a fast, tight turn, may be sufficient to overcome the folded stability of bigger designs, resulting in a roll over.





(Beam locking pin: 750/C28/Cruze 970.)

Now fold the second side. You may find this initially more difficult. As the boat is heeled this way, due to the first float folded lifting that side. Crew weight on the already folded side will help by leveling that boat out more. Lift, and once again don't let the float come in too fast once it starts moving. Insert the beam locking pin.

If anything seems hard or difficult when folding, **stop** and see if anything is misaligned, or snagged. A common error is to try and fold without disconnecting the shrouds. The beam won't budge, so remember to check this.

Raise the daggerboard and rudder, and cleat both in the up position. You are now ready for the trailer.

If there is a cross wind at the ramp, then a side guide rail should be fitted to the leeward side of the trailer. This will prevent the boat swinging sideways and off the trailer.

Back the trailer down into the water until the water reaches the forward inward bend of the trailer any further than this. Gently guide the boat into the center and pull up as far as it will go. Take care here, that it comes on straight, and avoid pulling it over the Log paddlewheel sender unit on the bottom of the hull (gets expensive to replace).

A side line from the windward aft cleat may also be helpful cross winds to prevent the stern swinging too far sideways.

If motoring onto the trailer, **leave the daggerboard down until the last minute** otherwise any crosswind makes it very difficult to keep on center. Once fully on, connect the trailer winch hook, and winch on the remaining few feet.

The boat can now be pulled from the water, and when on level ground. Remember to check that it is fully winched slack in the winch wire. **Tie an extra safety line** from the bow eye down to the winch post, ready for de - rigging.



DE - RIGGING

Remove the bow line, separate the two lines, and use as the side tie - downs. Fit aft mast support and the trailer lights.

Remove the jib and fold. The jib sheets can be stowed in the anchor well ready for instant use next time. If possible, the jib can be stored inside one of the floats - thus keeping it from cluttering up the main cabin.

If possible, relieve the tension on the battens, and these can be left in the loosely rolled main. Remove the roller furling handle (if fitted) and stow in the anchor well. Leave the topping lift on, to take the weight, and disconnect boom from the mast. Lay it down on the cabin roof to one side and fit the sail cover/bag. Disconnect the topping lift, and reconnect to the mast.



(Use the topping lift to fit/disconnect the boom.)

The boom/mainsail is heavy on the C28 and Cruze 970 and hard to handle. It can be stowed in the cabin if you wish, but this takes considerable effort, and room inside. It is much more convenient to stow it on the cabin roof, where it is protected by its bag and is ready for instant use next time.

To lower the mast, release the jib halyard from the rope clutch, turning block and mast base block (if necessary) and **cleat it to a horn cleat on the mast side**. Release the trailer winch hook, pass it over the bow roller and hook to the jib halyard. Tension the winch until the forestay just becomes slack, allowing the pin to be removed. There is no need to slacken the turnbuckle.

Take the forestay back and secure to the mast. Remove all halyards etc. from the rope clutches and blocks as required. Wrap these around the mast to retain all stays and halyards neatly against the mast. It is important that this is done now, otherwise when lowering the mast any loose stays will tend to fall away over the boat. It also makes subsequent rigging easier.



Fit the mast raising pole/yoke assembly, and begin lowering the mast by letting out the trailer winch line. **The raising wires must be fitted with rotating masts.** As the mast comes down, take care that the winch line meets the center of the raising pole, and that the mast is central when it reaches the aft mast support.

CAUTION

If your trailer winch does not have an automatic brake feature, **don't let go of the winch handle while lowering.** Should this happen it will start spinning very fast and could cause injury. Don't try and stop it. Except by using the winch brake. **Don't try and grab the handle.** You will just have to let the mast fall better than a broken hand.

Once the mast is fully down, disconnect the winch hook, reconnect to the bow eye, and retention. The jib halyard is then reconnected to the mast.

Disconnect mast from the step, and lift it up to enable the wind indicator to be removed from the masthead. Walk the mast forward until the mast can be mounted on the pulpit's lift up spigot (in roller furling shaft hole) or rested on the carrier on the pulpit.



(Mast carrier on pulpit 750.)

Secure the mast to the pulpit and aft mast support. All rigging wires and stays should now be secured to the mast. This is to prevent them from rubbing on the deck which will quickly wear through any gelcoat or paint. On long trips it is also a good idea to pad between the wires and the mast, or remove the wires altogether.



CAUTION

Do not use elastic cord type ties on the mast, with hooks, as they can be dangerous by whipping back and causing eye damage.

Rudder should be fully up, and tied to one side. Should local regulations not permit the rudder to be left on the transom, it should be removed and stowed in the towing vehicle. If fitted, secure the poptop down, or it could lift up during high speed towing.

Connect the trailer lights (making sure they are on the correct sides) and then check that the trailer is correctly positioned under the hull. You are now ready for the road.

LIFTING OUT

Should there be no ramp present, then all Corsair models can be quite safely lifted in and out by the usual dockside lift, using the optional and permanent lifting Eyes.

Slings can also be used around the complete folded craft, the best bearing areas for the slings being the beam areas. Other temporary lifting points are the mainsheet traveler (outer corners), shroud chain plates on the center hull (when fitted), or the beam bolt pads in the beam recesses.

MARINA DOCKING

For marina docking, the shrouds are released from the floats and the floats folded as normal. The marina slip can then be entered and the folded boat moored as with any other craft. However, care must be taken if high cross winds are a possibility, as folded stability is limited. Precautions include running a line from the mast to the dock on each side, a wider folded position, or lowering the mast in extreme conditions. Folded stability without the mast is very good, and the folded boat can actually self right up to even a 80° to 85° heel angle.

One problem with marina docking is stains or growth on the lower float sides. This is not a major problem with short stays in a slip, but will be a nuisance over a long period. There are several ways to overcome this, one being the use of an antifouling wax on the float sides. Thus the gelcoat finish is preserved and only an occasional wipe is needed. Antifouling pain could also be applied to the float sides but this is not attractive, it needing to be 2' 6" wide.

One of the best and recent solutions for long term marina docking is a dock liner, which surrounds the boat with sterilized water, preventing growth.

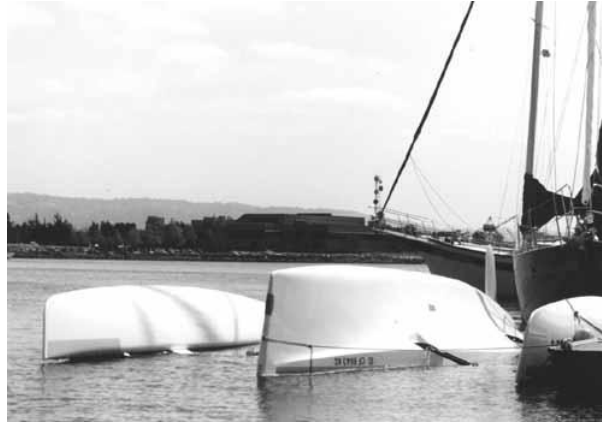
SAFETY

The modern trimaran with its enormous stability and unsinkability is a very safe craft, and has now established an excellent safety record. However, this safety is dependent on the operator and how the craft is handled.



The major hazard to be avoided is capsize is rare with well sailed cruising multihulls, but can occasionally occur with racers pushed to the limit - just like race car, is that the driver/skipper. Drive/sail too fast for the conditions and the risk of a crash is higher. The decision is yours.

It is not taken away from you by a heavy keel below, making it impossible to go fast. Nobody seriously suggests weighing down a car to prevent a roll over, nor should a sailboat be weighed down to limit performance, just because a few may not have the maturity to sail a fast type of craft safely.



(Push it too far this is what may happen - note how high it is floating, the water level being around the bottom of the beams. Even in this position it remains a relatively easy and safe boat to move around on.)

Thus, like a car, a multihull has the capability of very higher. The choice is yours however, as it is not compulsory to go fast. In general, the risk factor will only begin to increase when boat speed exceeds 15 knots while reaching, or about 8 knots windward. When sailed for the conditions, or with safety in mind, Corsairs are the safest craft afloat.

UNSINKABILITY

This is the ultimate safety feature for any boat. All Corsair models are unsinkable, being constructed almost completely in foam/glass, with multiple watertight compartments. With no heavy keel, it is therefore immune from sinking, even with all watertight compartments flooded. No matter what happens, you can be assured that your Corsair will always be there, and will never go aground in 200 feet of water!

There are up to 12 watertight compartments, depending on the model, including:

Floats: 3 compartments each.

Forward berth: an important factor against collision.

The four beams: up to 170lbs buoyancy each.



OFFSHORE SAILING

All Corsair models have been designed strong enough for heavy weather sailing, the C28, C31, C37 and Cruze 970 have now crossed both the Atlantic and Pacific Oceans many times. However, it should be noted that they are small boats for such long offshore passages, and should only be undertaken by experienced sailors and well prepared vessels.

Due to the considerable wear and tear that can result from such voyages, and the many unforeseen hazards, warranty coverage is not available for any boat undertaking any passage offshore longer than 200 miles.

***** **WARNING** *****

THE SAFETY OF ANY CORSAIR MODEL AT SEA CANNOT BE GUARANTEED AS OFFSHORE SAILING CAN BE A HAZARDOUS UNDERTAKING, WITH MANY RISKS. NUMEROUS FACTORS BEYOND THE CONTROL OF THE MANUFACTURER WILL AFFECT THE SAFETY OF ANY OFFSHORE VOYAGE AND ANY OWNER TAKING A CORSAIR TRIMARAN OFFSHORE MUST ACCEPT FULL RESPONSIBILITY FOR ANY RISKS INVOLVED.

It is not within the scope of this manual to go into all the necessary equipment for offshore sailing, this being covered by many readily available books, and/or offshore safety regulations. Essential items are an under wing re-entry hatch, the optional Storm jib, and a properly set up **storm parachute anchor**. The parachute anchor is a recent development for multihulls and offers a very comfortable and safe method for surviving severe storms.

CAPSIZE

Capsize is always a possibility, even if a remote one, and should it ever occur, stay calm, and make sure all crew are accounted for. Anyone inside can stay there, it being safe for some time. There is no danger of sinking.

When sailing offshore the following items should always be stored in the safety compartment (accessible from underneath if capsized), with lanyards attached, and in watertight bags:

- | | |
|---------------------------------|-----------------|
| - EPIRB unit | - Cutting tools |
| - Extra wrenches & tools | - Bolt cutters |
| - Spare beam bolt wrench | - Ropes |
| - VHF hand held radio | - Pliers |
| - Copy of righting instructions | - Flares |

Surge is the major enemy inside the boat, and the first priority should be to seal all hatches, vents etc, and try to keep the boat dry as possible. Poptop will remain in place as this will try to float upwards. Main battery switch should be turned off and all loose objects stored in the cabin settees, these now being above water. Surge will otherwise



remove everything. Water level while inverted is around the bottom of the beams - float decks are only just immersed.

If possible, the battery should be removed as it will discharge under water. If should be a sealed unit there by eliminating the danger of acid or gas.

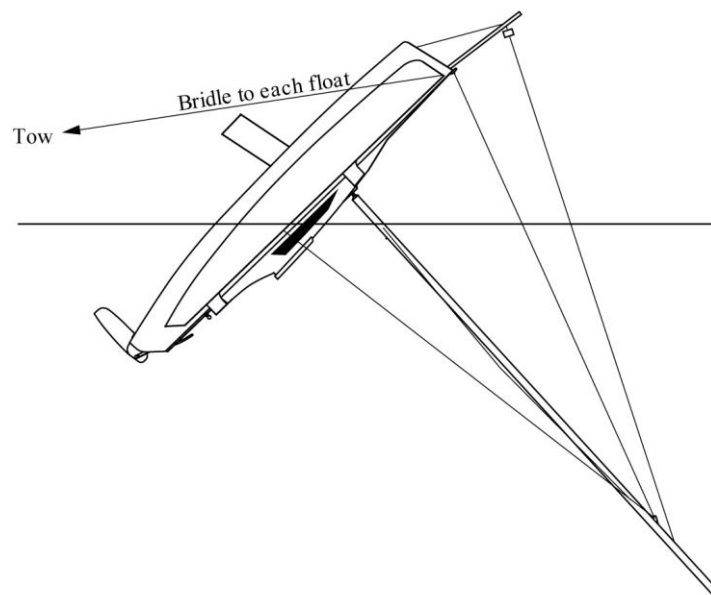
If offshore, the crew outside can use the recommended re-entry hatch to shelter inside, or if not fitted, obtain a cutting tool from the safety compartment, (accessible while inverted) and cut an access hole into the under the cockpit storage lockers.

You now have a large, relatively comfortable life raft, and well stocked with provisions. Much better off than in a small life raft with minimal provisions. In fact the record for the longest survival time adrift at sea is now held by the crew of a trimaran capsized off New Zealand in 1990. They were in such good condition when rescued that their story was first believed to be a hoax. Modern satellite position for a floating, but disabled multihull, whereas a sunken monohull has no such option.

RIGHTING

Righting at sea, unless outside help is available, is probably not a feasible option as yet. Probably better to leave the craft as it is, where the crew are safe, and await rescue.

When the opportunity arises, and outside assistance is available, the most successful system for any multihull, is to tow the capsized boat fore and aft, the tow line going to the aft end, in the form of a bridle. Which and depends on the boat, but the general rule is to choose the end that is floating highest. Thus as the boat begins to move, the lowest end, be it bows or stern, will begin to sink, and even more so as the water inside rushes forward. The boat should then flip back upright, bow over stern or vice versa.



(Righting procedure.)



If the above procedure does not work, then try flooding the end that needs to sink, or add some crew weight (ready to abandon ship once the end concerned starts to go under). If this fails, try towing the other direction. Some controlled flooding may also be required. Towing sideways will not work.

Another righting method, that uses the folding system, has been tested and shown to be workable on a Farrier designed 19' Tramp in choppy conditions, and on an F-27 in smooth water. The Tramp was deliberately rolled over, the F-27 was a capsized.

The method has not been successfully tested at sea and thus should not be tried at sea, it being better to wait for assistance, as the righting action does tend to flood the inverted boat more. Not a good idea if the righting attempt doesn't work.

The F-27 capsized was caused by the spinnaker combined with a mainsail sheeted tight amidships (never do this while under spinnaker in any circumstances). Both sails were being carried in winds gusting to 35 knots, with **no one** holding the sheets. Crew was just owner and 10 year old daughter. Boat speed was over 29 knots and the capsized happened while changing from a run to a reach, and the crew were not able to release the sheets in time. In these conditions the sheets should always be hand held without exception. The spinnaker sheet can be easily led to the windward jib sheet winch, making this very easy to do.

After capsized both crew surfaced under the wing nets, but found plenty of space to breathe due to the high floating position. There appears to be little danger in being trapped here. They were then able to get on to the upturned boat (now a safe 19' wide raft), which was towed ashore, and righted, with relatively little damage, the next day.

The procedure using the folding system is as follows:

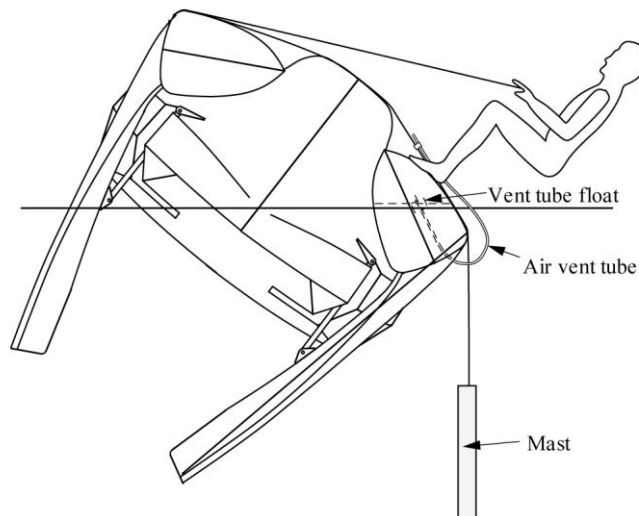
1. Put on a lifejacket this is essential for easy working in the water.
2. The boat will be floating side on to the waves, and you should first attach righting ropes to the windward float beam areas and bring them over the main hull to the leeward float. Use a pair of lines for each available crew member.
3. Disconnect and save both shroud tensioners if fitted, which can then be used to help as necessary.
4. Release top shrouds from the float chain plates, and allow to drop with fixed masts. Secure a line from the leeward shroud, with rotating masts, to the leeward float.
5. Connect a line to the forward beam area on the leeward float and connect this to righting line from other side using 4:1 shroud tensioner.
6. Release all beam bolts. This can be done while alongside without diving. The bow nets may have to be unlash to reach forward beam bolts.
7. Stand on the wing net and pull on the shroud tensioner. The float on the side you are standing on will fold up, your weight helping. Once folded, insert the beam locking pins. Repeat process with other side float. Smaller designs will fold up just from your weight on the wing net.



You now need to drop the mast off, and use its weight to assist righting, by helping the hull to rotate in the direction desired. This is done by hanging it from a line passing over the leeward float, and attached to the windward float.

If in sheltered waters, damage to mast can be minimized by pulling back to the triling position. However, outside assistance will probably then be needed to rotate the boat.

8. Release the forestay, attach a line, and take to the center of the leeward float. Run the line over the center hull to attach to the windward float deck eye just in front of the deck hatch.



(Last option righting method.)

9. Release all halyards from the rope clutches, and unthread from the turning blocks.
10. Release mainsheet from traveler, the jib sheets, jib tack, inner forestay (if fitted), and any remaining shrouds.
The mast will now drop, or hang from the step pivot pins with fixed masts, which will soon break from the motion of the deck pivot brackets from inside. Mast will now hang from the leeward float.
11. Open all hatches on the leeward float, and stand on the float, stabilizing yourself with the righting ropes, to the windward side. The float will slowly start to flood. If necessary small holes may be required on the highest part of the float side to let out trapped air, or a simple vent tube from this area to the atmosphere will allow the air out.
12. As the float floods, start rocking back and forth in time with the waves. Once the float is flooded sufficiently, the boat should roll upright. It's possible to climb around the boat as it rotates to end up on deck. The beam retaining pins will fall out and floats will tend to unfold themselves.
Now tighten the beam bolts, and start bailing. A long tubular type bilge pump is needed to do this successfully. You may initially need to wrap a rag or towel



around its body where it enters the circular float hatch to prevent water reentering. Pump should always be secured so that it cannot float away.

If you find your weight is insufficient to cause righting, then additional weight such as the outboard motor or battery can be sent down the mast line to assist. If assistance is available, then a tow sideways tow will work.

The mast may or may not be salvageable, depending on the number of crew available.

PERSONAL RESPONSIBILITY

There have been exhaustive efforts to minimize the risk of personal injury, loss, or any other form of damage, while operating a Corsair built trimaran, but obviously it is impossible to completely eliminate every risk. Winches cannot be made trip proof, nonskid can wear and cause slipping, rigging wires can be kinked while rigging and later fatigue, lifelines can be fallen over, frequent groundings at speed can cause eventual daggerboard or rudder failure, neglect of proper maintenance can cause early failure, and lack of experience can cause accidents in congested areas, or bad conditions. Sailing can be hazardous at times, and the boat operator should accept responsibility for all such hazards.

Many of these risks have been covered in this manual, but obviously it is impossible to cover them all. Some recommended procedures may not even be the correct ones in certain situations. The operator should therefore always be vigilant against all possible safety hazards and correct or warn the crew against any possible danger immediately.

SAFETY IN GENERAL

Capsize matters can be depressing, but **to put it in perspective**, a capsize is simply very difficult to do. Luffing up slightly or **bearing away** (if on a reach) is usually all that is required. The risk of capsize can be virtually eliminated simply by **reducing sail according to the conditions, and being prepared to let the sheets go**.

When under spinnaker in winds of over 20 knots it should always be a matter of policy to never leave the spinnaker sheet unattended. It should be hand held, not even cleated. Cruisers shouldn't even use the spinnaker in over 20 knots. Under main and jib you can still reach 15 knots, with complete comfort and safety.

Fortunately it is very hard to capsize a Corsair trimaran, but this can lead to overconfidence. Don't fall into this trap always be aware that it is possible to capsize, and reduce speed accordingly to suit the conditions - just like any car.



TECHNICAL NOTES

WINCH LINE

The trailer winch line should be regularly replaced. This tends to wear quite rapidly and is under a high strain when lifting the mast. A breakage here could be very dangerous. It is always advisable to stand clear of the line while lifting the mast. Also, frequently check the trailer winch line tight when on a long trip.

SPRING RETAINING CLIPS

CAUTION: The spring retaining clips as used on the turnbuckle clevis pins should be regularly checked to ensure they will still 'clip' fit on the clevis pin. Replace if they have lost their spring and become loose, otherwise you could lose your mast.

These spring clips have been used successfully for over 20 years and are intended as a convenient 'quick rig' feature. They are not as secure as a properly fitted cotter pin, and if any doubts exist on their use then a cotter pin or circular ring should be used instead, and a few of these are usually included in the toolbox. However these rings or pins will increase rigging time and the final decision in this regard is for the owner.

LAUNCHING

If immersing the trailer to the bend in the frame will still not let you free the boat, be careful; a few inches more can have your boat drifting away, so have a bow line secured.

BEAM BOLTS

These should always be in place and tightened before going sailing. Otherwise the upper folding struts can again be overloaded as above, due to the beam inner end being forced up slightly by sailing loads.

It is also possible, but unlikely, for a Beam bolt to gall and seize in a bolt pad, which can prevent you from folding up the boat. If this happens, then you can still fold up the boat by simply releasing the bolt pad nuts from inside, or cutting off the Beam bolt head. To avoid this, keep the threads well lubricated with a Teflon grease.

HOISTING MAINSAIL

If you find this is tight going up or down (a not uncommon problem with full batten boltrope mains). There are now some spray-on silicon compounds that can help. Remember to also check that the mainsail foot outhaul is slackened off.

BEARING AWAY

Don't forget this is a very effective and safe way of absorbing gusts while reaching in strong wind conditions, particularly under spinnaker. Rounding up tends to throw the mast to leeward (the wrong way), and can increase speed dramatically - all very exciting. However, bearing away throws mast to windward, speed falls off, and the motion feels much safer. This may sound odd, but try it sometime in lighter conditions to get confidence - it really works.

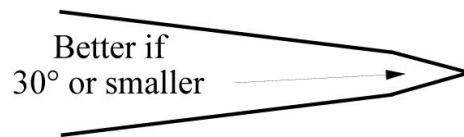


HEAVY HELM

The tiller should always be light and easy to handle, with just one hand. If not, then there is something wrong. Usual cause is the rudder blade has kicked back slightly. If this is not the problem then rudder may not be raked far enough forward. This can be changed by filling the pivot hole in the rudder blade and re-drilling slightly further forward (say $\frac{1}{4}$ ").

RUDDER/DAGGERBOARD HUM

This is not an uncommon occurrence due to the difficulty in getting perfectly fair foils in a production environment, and even carefully handmade foils can develop a hum. This can be reduced or eliminated with a little fine tuning by filling or sanding the trailing edge of the foil concerned.

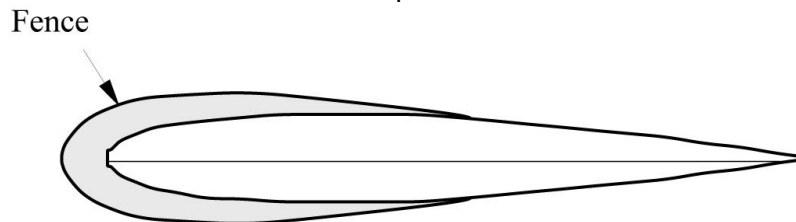


RUDDER VENTILATION

This can be a problem at very high speeds, and symptoms include a 'whoop' sound out the back, a huge rooster tail, and no steering. This normally only happens with speeds over 15 knots and fortunately the boat usually just keeps tracking straight.

The cause is air being sucked down the side of the rudder at high speeds, particularly if over steering. Immediate cure is to waggle the rudder a little, or bring onto the centerline until the water flow reattaches, or slow down.

To avoid, always keep the leading edge of your rudder smooth and fair, and if it becomes a consistent problem then the best cure is to fix a horizontal 'fence' to the leading edge of the rudder about 12" to 15" up from the bottom.



(Rudder ventilation solution.)



This will prevent the air from traveling down the blade and retains steering control, even if the top part of the rudder has ventilated. Such fences are fitted as standard on some higher performance models.

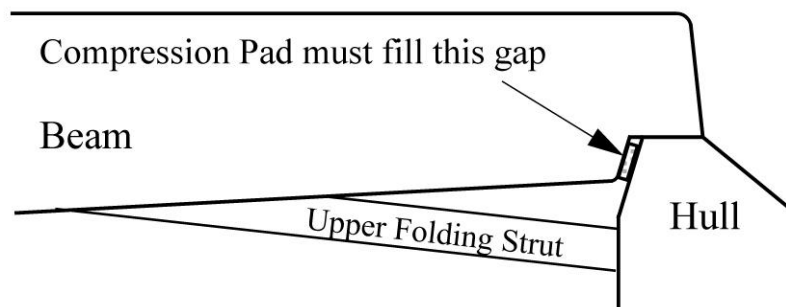
COMPRESSION PADS

These are fitted to the ends of the beams on all Corsair models, to eliminate any gap or movement between the beam ends and the raised pads in the hull.

Do not remove, as this would cause the high compression loads in this area to be directed through the upper folding struts, which, in the case of the C24 and C31 are not strong enough for such loads. They are designed for folding loads only, and end mounting points may fail.

This would not cause a serious beam problem as the beams then simply move inboard to bear against the hull again. The boat is not threatened structurally. However, repairing an U.F.S. mounting point is difficult and expensive.

The plastic compression pads should be full width of the beam and bear evenly against both beam and hull, to avoid any point loading. This should be checked periodically.



(Position compression pads.)

The C28 has similar pads on the forward beams, but these are not structurally important, their only purpose being to eliminate any movement for better rig stiffness.

WING NETS

Take care that you do not step near the inner ends of the nets on the sides where lashing cannot be used in order to allow easy folding. Your foot may go through this gap. This area can be lashed if you wish, but should you forget to undo when folding, the eyelets in the nets will be pulled out.



FLOAT/BEAM VENTS

The floats are vented through micro cowl vents fitted to the float transoms (or spring loaded vents just aft of the forward beams on earlier models). These are to prevent a buildup of air pressure inside the floats on hot days that could be enough to open up the hull to deck join.

The watertight bulkheads at the forward beam and Shroud chain plate bulkheads thus have very small holes near the top to allow venting throughout the float. Should the float ever be holed then these should be well above the flooded waterline, or at worst, only allow a very small amount of water through.

Should the float be inverted as in a capsize, then the airlock formed above these vents would prevent any significant flooding.

Hollow beams such as used on the C28 also need draining/venting, and this is done through tubes extending from the bottom of the beams inside the floats. Should water appear from these then the source of the leak in the beams should be investigated, and repaired.

In the case of capsize, these tubes are designed to extend above the floats flooded waterline, so as to prevent any water entering, and consequent loss of beam buoyancy.

RUST

Many grades of stainless steel will get an occasional brown stain saltwater, than can look like rust. The grade used on most marine fittings is Type 304 or 303, and both of these will show this. Type 316, a more expensive grade, but actually slightly weaker, does not. All three grades can be used on a Corsair, depending on the application. To avoid this staining, always wash your boat down with fresh water after every outing. The brown stains will not appear if the salt is washed off.

CLEANING FLOATS

These can be extended for cleaning, if wished, while boat is on the trailer. Float supports must be dropped down, and the boat then rocked one way. The 'high side' float can then be extended. Let the boat lean the other way and the remaining float can be extended. You will need to support the floats in some way once extended.

CLEAN BOAT HINT

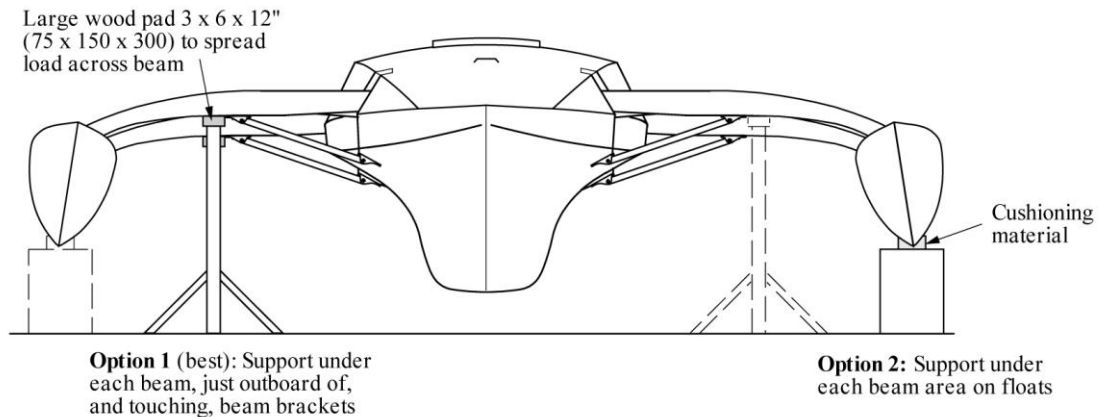
If you are having problems with un-house trained birds on your boat, just leave a dummy, but lifelike, snake in the cockpit floor. Works well.



COLLISION

Any boat that has a significant fore and aft collision on the float bow, or the folded beams have hit a low bridge, should always be thoroughly checked. No boat can be made collision proof, and hidden damage can result.

The complete float should always be checked after an impact, not just the bow area. A heavy fore and aft collision can actually propagate throughout the float, and has even generated cracks around the aft deck inspection hatch flanges for instance. In one case, a float hull had a vertical fracture in the aft beam area from a severe bow collision.



(Support for maintenance. When necessary, the craft can be supported for short periods as detailed above for anti-fouling or other maintenance work.)

The beams should also be carefully checked if they have received any significant sharp impact. Being carbon fiber, they can be cracked or damaged from sharp impacts, and areas to check are around the lower folding strut brackets, and just inboard from the float. Even if no damage is found, continue to monitor for cracks over a period of time. The diagonal wire braces as used on the Cruze 970 and C37 tend to direct shock loads into the forward beam structure in this area. Any cracks in this flange should be investigated and repaired.

The forward beam bulkhead to hull join tape just adjacent to this flange area on the 31 should also be investigated closely, as this is a known failure point from such collision. Damage here may not be visible initially, but it may grow to eventually fail later, so continue to monitor. The boat still holds together should this tape delaminate, but obviously sailing should cease until it is repaired.

HURRICANE SURVIVAL

Hurricanes frequently cause damage too many boats, and on one occasion capsized a folded F-27. The owner had left it on a mooring and being worried about possible damage from other boats breaking their moorings nearby felt it best to fold her up to reduce the 'target' profile. However this considerably reduces stability, and as stated earlier, this is limited while folded. As a result, no doubt while swinging sideways, the gale force winds blew the F-27 on its side.



The best procedure in such a situation is to get the boat out of the water, and trailer it inland away from harm - the perfect solution and used by most owners. If there is not time for this, then leave the floats extended, and pump water into each float and the main hull to weigh her down. Also remove the wing and bow nets. These don't have much windage, but it is surprising how much it can be in such winds. Your boat is then as safe as anything can be in a hurricane.



SPECIFICATIONS

The following specifications may vary depending on options and manufacturing or design changes.

C24 MK II

L.O.A.:	24' 3"	(7.3m)
L.W.L.:	23' 7"	(7.2m)
Beam:	17' 11"	(5.5m)
Beam folded:	8' 2"	(2.49m)
Draft (hull only):	1'	(0.31m)
Draft D/B down:	4' 5"	(1.36m)
Mast length:	31' 10"	(9.7m)
Weight:	1690lbs	(770kgs)
Max. recommended auxiliary: 8 hp		

C31 UC/CR

L.O.A.:	30' 10"	(9.4m)
L.W.L.:	30' 0"	(9.15m)
Beam:	22' 5"	(6.8m)
Beam folded:	8' 3"	(2.5m)
Draft (hull only):	1' 4"	(0.4m)
Draft D/B down:	5' 6"	(1.7m)
Mast length:	42' 6"	(13m)
Weight:	3,850lbs	(1750kgs)
Max. recommended auxiliary: 20 hp		

Sprint 750 MKII

L.O.A.:	24' 3"	(7.39m)
L.W.L.:	23' 7"	(7.19m)
Beam:	17' 11"	(5.46m)
Beam folded:	8' 2"	(2.5m)
Draft (hull only):	1' 00"	(0.3m)
Draft D/B down:	5' 3"	(1.6m)
Mast length:	34' 5"	(10.5m)
Weight:	1,795lbs	(816kgs)
Max. recommended auxiliary: 8 hp		

C31 RS

L.O.A.:	30' 10"	(9.4m)
L.W.L.:	30' 0"	(9.15m)
Beam:	22' 5"	(6.8m)
Beam folded:	8' 3"	(2.5m)
Draft (hull only):	1' 4"	(0.4m)
Draft D/B down:	6' 6"	(1.84m)
Mast length:	42' 6"	(13m)
Weight:	3,700lbs	(1680kgs)
Max. recommended auxiliary: 20 hp		

Dash 750 MKII

L.O.A.:	24' 3"	(7.39m)
L.W.L.:	23' 7"	(7.19m)
Beam:	17' 11"	(5.46m)
Beam folded:	8' 2"	(2.5m)
Draft (hull only):	1' 00"	(0.3m)
Draft D/B down:	5' 3"	(1.6m)
Mast length:	34' 5"	(10.5m)
Weight:	1,925lbs	(875kgs)
Max. recommended auxiliary: 8 hp		

Cruze 970

L.O.A.:	31' 10"	(9.7m)
L.W.L.:	31' 10"	(9.7m)
Beam:	22' 7"	(6.88m)
Beam folded:	8' 4"	(2.55m)
Draft (hull only):	1' 5"	(0.45m)
Draft D/B down:	6' 10"	(2.1m)
Mast length:	39' 4"	(12m)
Weight:	3,999lbs	(1,814kgs)
Max. recommended auxiliary: 20 hp		



C28 RS

L.O.A.: 28' 5" (8.7m)
 L.W.L.: 26' 3" (8.0m)
 Beam: 19' 9" (6.1m)
 Beam folded: 8' 3" (2.5m)
 Draft (hull only): 1' 2" (0.36m)
 Draft D/B down: 4' 11" (1.5m)
 Mast length: 38' 00" (11.6m)
 Weight: 2,900lbs (1315kgs)
 Max. recommended auxiliary: 15 hp

C37 CR

L.O.A.: 37' 0" (11.27m)
 L.W.L.: 35' 0" (10.66m)
 Beam: 25' 7" (7.8m)
 Beam folded: 9' 10" (3.0m)
 Draft (hull only): 1' 8" (0.5m)
 Draft D/B down: 7' 7" (2.3m)
 Mast length: 51' 2" (15.6m)
 Weight: 6,700lbs (3050kgs)
 Max. recommended auxiliary: 20 hp

C28 CR/CE

L.O.A.: 28' 5" (8.7m)
 L.W.L.: 26' 3" (8.0m)
 Beam: 19' 9" (6.1m)
 Beam folded: 8' 3" (2.5m)
 Draft (hull only): 1' 2" (0.36m)
 Draft D/B down: 4' 11" (1.5m)
 Mast length: 36' 6" (11.1m)
 Weight: 3,100lbs (1400kgs)
 Max. recommended auxiliary: 15 hp

C37 RS

L.O.A.: 37' 0" (11.27m)
 L.W.L.: 35' 0" (10.66m)
 Beam: 25' 7" (7.8m)
 Beam folded: 9' 10" (3.0m)
 Draft (hull only): 1' 8" (0.5m)
 Draft D/B down: 7' 7" (2.3m)
 Mast length: 51' 2" (15.6m)
 Weight: 6,300lbs (2850kgs)
 Max. recommended auxiliary: 20 hp



CORSAIR SAIL PLANS:**C24 MKII sail plan****NOTES:**

Mylar may be used for all sails (recommended).

Sailcloth wgt. to suit wind in area sailed.

All sails are to be fitted with telltales

Max. roach is 41"/1040mm located 60% up leach

Mainsail has 2 sets of reefpoints

Mainsail to have Cunningham eye fitted

Class emblem to be as shown.

Jib to have 3 leach battens placed at equal distance on leach.

Jib hanks to be for 1/4"/6mm wire

Sail	Luff	Leach	Foot	Area
Mainsail	29' 6" 9000	30' 6" 9300	11' 6" 3500	243sq.ft. 22.5sq.m.
Blade Jib	27' 8" 8445	24' 6" 7475	9' 9" 2960	122sq.ft. 11.3sq.m.
Asymmetric Spinnaker	33' 2" 10100	26' 11" 8200	20' 8" 6300	570sq.ft. 53sq.m.
Screacher	30' 10" 9400	24' 6" 7475	15' 5" LP 4700	243sq.ft. 22.5sq.m.



Sprint 750 MKII sail plan

SAIL AREAS AND DIMENSIONS				
SAIL	LUFF	LEECH	FOOT	AREA
MAIN	9750 32'	10110 33.17'	3250 10.66'	24.87sq.m. 268sq.ft.
#1 JIB [See *]	8760 28.74'	8030 26.35'	2780 9.12'	13.3sq.m. 143sq.ft.
SCREACHER	9820 32.21'	8840 29'	9480 31.10'	24.33sq.m. 262sq.ft.
SPINN'R	11470 37.63'	9490 31.14'	6590 21.62'	57.65sq.m. 620sq.ft.

NOTE:

Square Top Mainsail as shown is required to be Class legal.

Mainsail battens to be parallel with boom or only slightly angled up as shown for easy roller furling.

Vertical Batten to be used at head to ensure head stands vertical.

Tack cutaway to be as shown.

Mainsail to have Cunningham eye fitted.

Class emblem located and sized as shown.

* Jib may have up to 4 battens.

* Ref. Class rules for details. Note specified mid-girth.

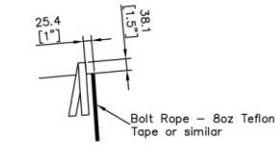
Jib hanks to be for 7/32" wire.

All sails are to be fitted with telltales.

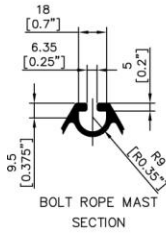
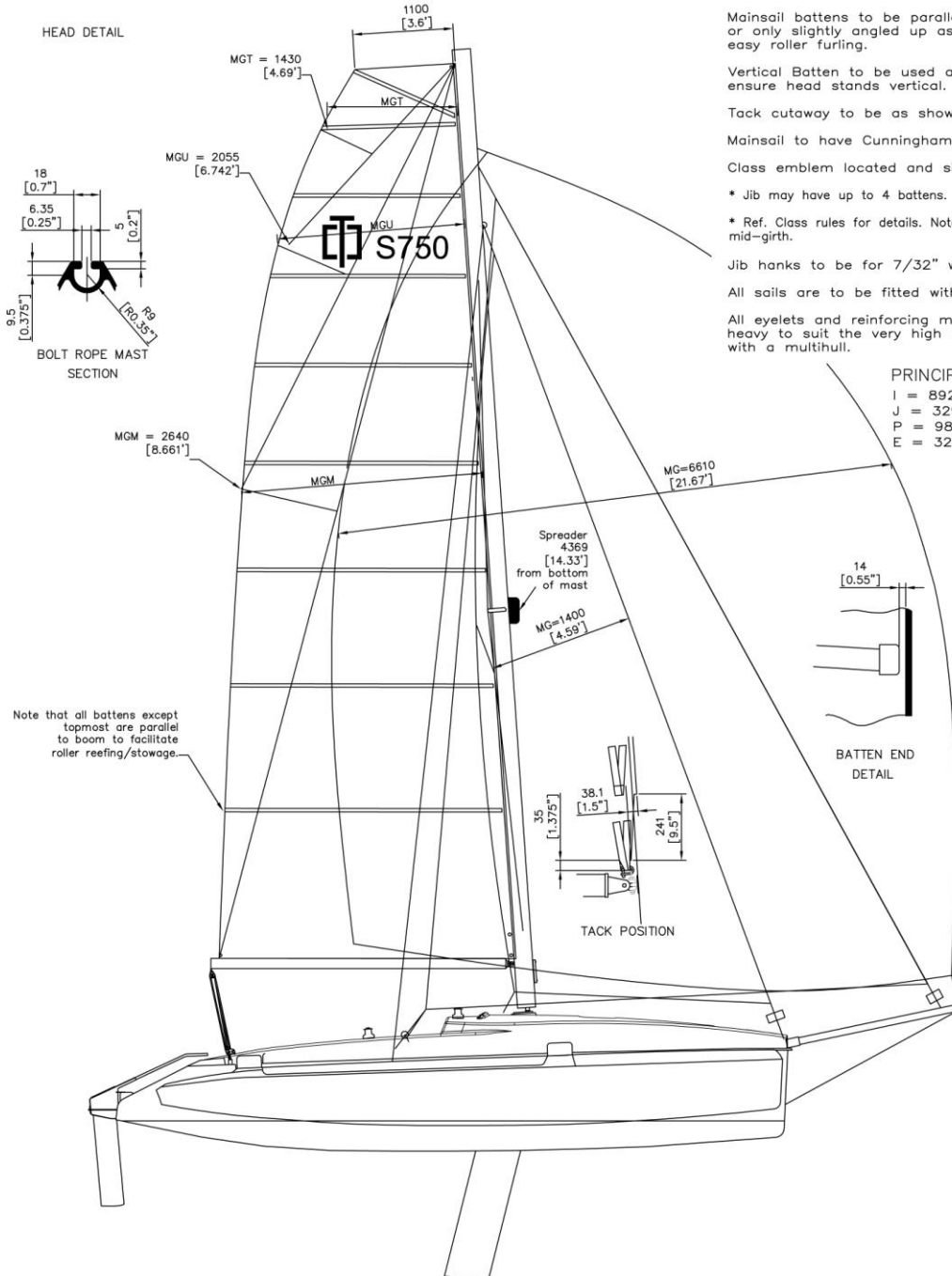
All eyelets and reinforcing must be extra heavy to suit the very high loads possible with a multihull.

PRINCIPAL DIMENSIONS

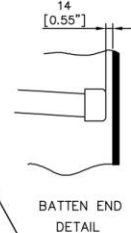
- I = 8920 [29.27']
- J = 3290 [10.8']
- P = 9840 [32.3']
- E = 3270 [10.75']



HEAD DETAIL



BOLT ROPE MAST SECTION



BATTEN END DETAIL



Dash 750 MKII sail plan

SAIL AREAS AND DIMENSIONS				
SAIL	LUFF	LEECH	FOOT	AREA
MAIN	9750 32'	10110 33.17'	3250 10.66'	24.87sq.m. 268sq.ft.
#1 JIB [See *]	8760 28.74'	8030 26.35'	2780 9.12'	13.3sq.m. 143sq.ft.
SCREACHER	9820 32.21'	8840 29'	9480 31.10'	24.33sq.m. 262sq.ft.
SPINN'R	11470 37.63'	9490 31.14'	6590 21.62'	57.65sq.m. 620sq.ft.

NOTE:

Square Top Mainsail as shown is required to be Class legal.

Mainsail battens to be parallel with boom or only slightly angled up as shown for easy roller furling.

Vertical Batten to be used at head to ensure head stands vertical.

Tack cutaway to be as shown.

Mainsail to have Cunningham eye fitted.

Class emblem located and sized as shown.

* Jib may have up to 4 battens.

* Ref. Class rules for details. Note specified mid-girth.

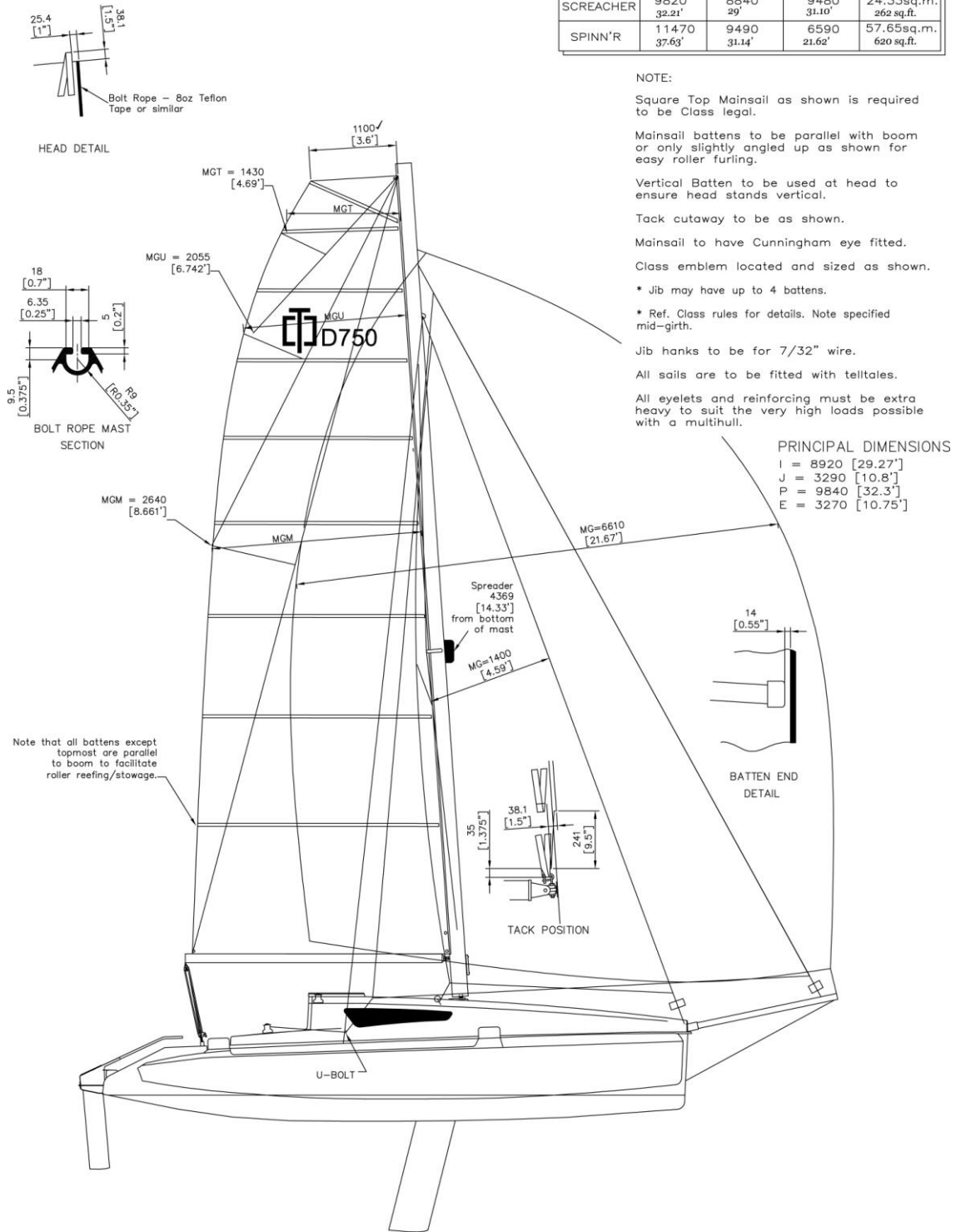
Jib hanks to be for 7/32" wire.

All sails are to be fitted with telltales.

All eyelets and reinforcing must be extra heavy to suit the very high loads possible with a multihull.

PRINCIPAL DIMENSIONS

- I = 8920 [29.27']
- J = 3290 [10.8']
- P = 9840 [32.3']
- E = 3270 [10.75']



C28 RS/C28 CR/C28 CE sail plan

NOTES:

Square Top Mainsail as shown is required to be Class legal. Roach to be no more than 14" and 26" where shown, (14" and 28" with C28 RS).

Mainsail is designed to be almost flush with the top of the mast as shown -do not shorten luff, which has cutout as shown for halyard clearance.

Vertical Batten to be used at head to ensure head stands vertical.

Tack cutaway to be as shown

Mainsail has 2 sets of reefpoints, first set positioned as shown, second set optional.

Mainsail to have Cunningham eye fitted
Class emblem located and sized as shown.

Mainsail battens to be parallel with boom or only slightly angled up as shown for easy roller furling. Upper battens to have more angle as shown.

Jib to have four leach battens placed at equal distance on leach.

Jib hanks to be for 9/32" wire

All sails are to be fitted with telltales.

Changes 3/15/97

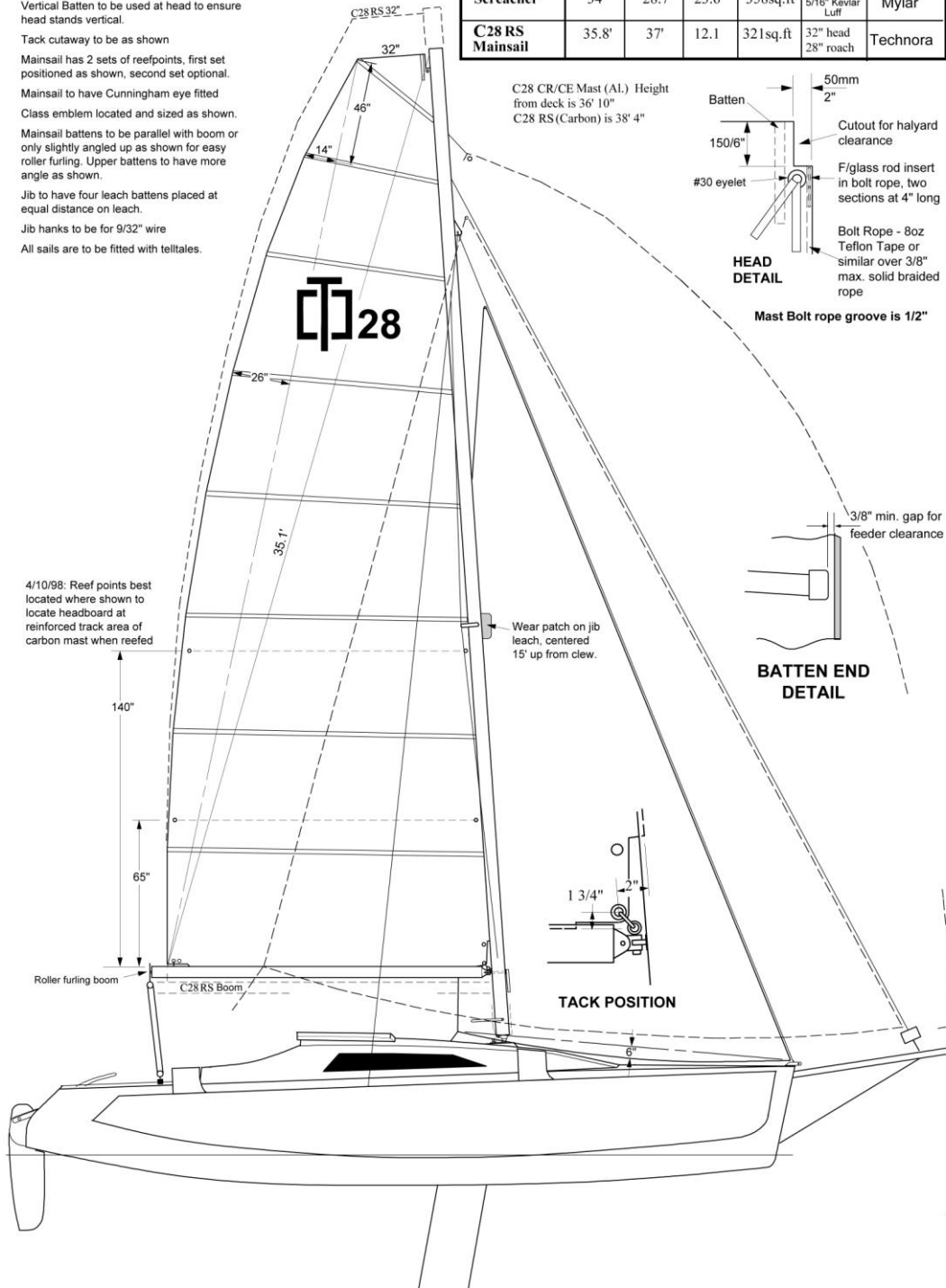
C28 RS Mainsail:
Leach 36.9 changed to 37"
Luff 35.8" changed to 35' 9"

4/20/97

Wear patch added to jib
7/28/97 Rod insert added to boltrope at headboard

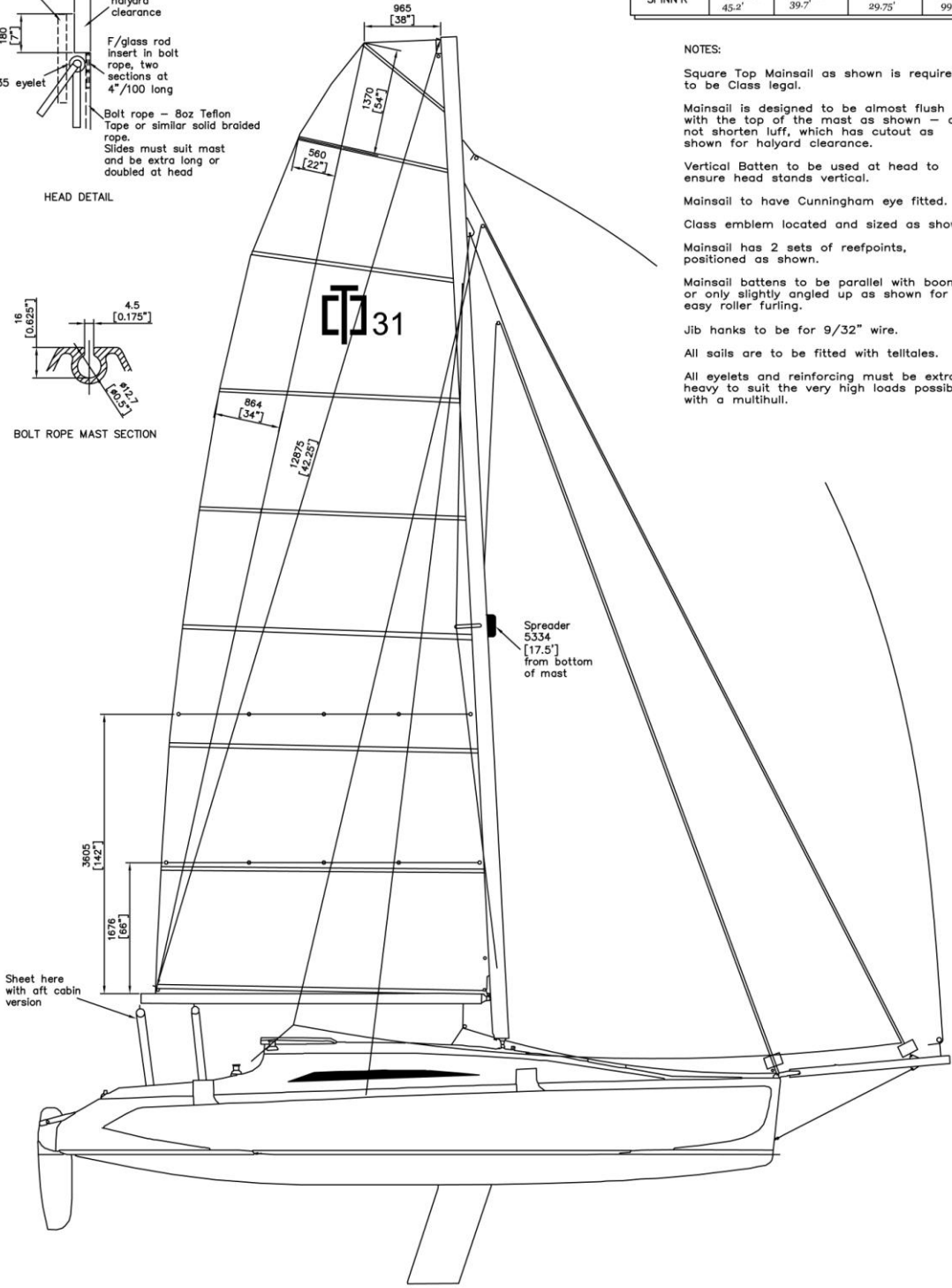
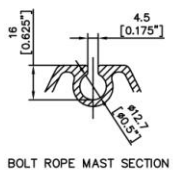
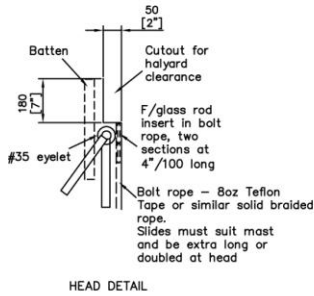
4/9/98 Reef points redefined

Sail	Luff	Leach	Foot	Area	Remarks	Material
Mainsail	33.8'	35.1'	12.0'	300sq.ft	32" head 26" roach	Technora
Jib	30.1'	26.9'	12.4'	175sq.ft	LP 11"	Technora
Asymmetric Spinnaker	40.2'	35.8'	27.6'	780sq.ft		Nylon
Screacher	34'	28.7'	23.6'	358sq.ft		Mylar
C28 RS Mainsail	35.8'	37'	12.1'	321sq.ft	32" head 28" roach	Technora



C31RS/C31 CR/C31 UC sail plan

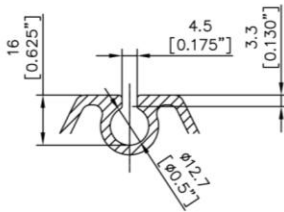
SAIL AREAS AND DIMENSIONS				
SAIL	LUFF	LEECH	FOOT	AREA
MAIN	12360 40.55'	12875 42.25'	4360 14.3'	39.7sq.m. 429 sq.ft.
JIB	10450 34.3'	9235 30.3'	4115 13.5'	20.2sq.m. 218 sq.ft.
SCREACHER	11890 39'	10610 34.8'	7865 25.8'	41.6sq.m. 449 sq.ft.
SPINN'R	13780 45.2'	12100 39.7'	9070 29.75'	92.2sq.m. 996 sq.ft.



- NOTES:**
- Square Top Mainsail as shown is required to be Class legal.
 - Mainsail is designed to be almost flush with the top of the mast as shown - do not shorten luff, which has cutout as shown for halyard clearance.
 - Vertical Batten to be used at head to ensure head stands vertical.
 - Mainsail to have Cunningham eye fitted.
 - Class emblem located and sized as shown.
 - Mainsail has 2 sets of reefpoints, positioned as shown.
 - Mainsail battens to be parallel with boom or only slightly angled up as shown for easy roller furling.
 - Jib hanks to be for 9/32" wire.
 - All sails are to be fitted with telltales.
 - All eyelets and reinforcing must be extra heavy to suit the very high loads possible with a multihull.

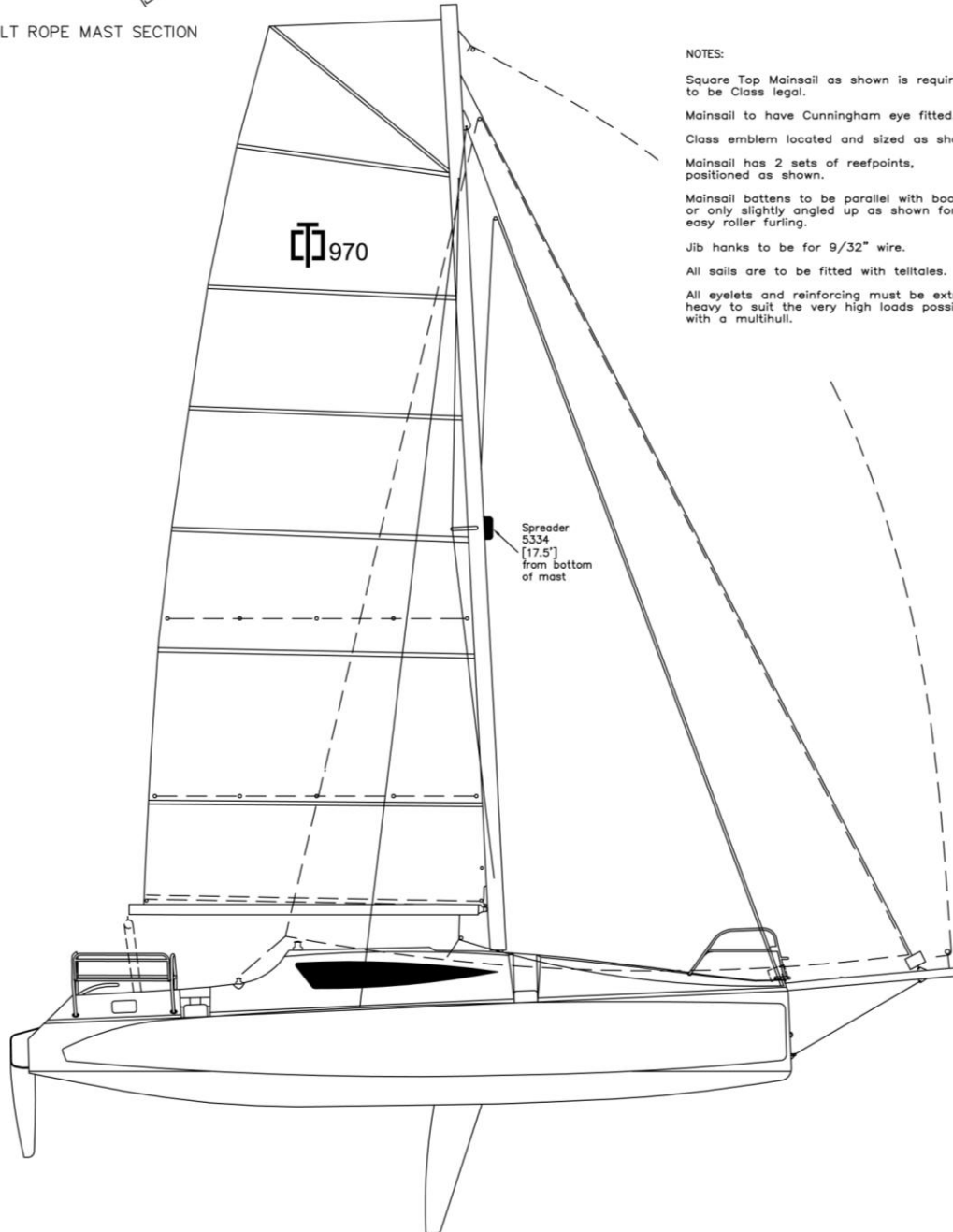


Cruze 970 sail plan



BOLT ROPE MAST SECTION

SAIL AREAS AND DIMENSIONS				
SAIL	LUFF	LEECH	FOOT	AREA
MAIN	11200 36.75'	11209 36.77'	4360 14.3'	38.8sq.m. 418 sq.ft.
JIB	10450 34.3'	9235 30.3'	4115 13.5'	20.2sq.m. 218 sq.ft.
SCREACHER	11890 39'	10610 34.8'	7865 25.8'	41.6sq.m. 449 sq.ft.
SPINN'R	13780 45.4'	12100 39.7'	9070 29.75'	92.2sq.m. 996 sq.ft.



NOTES:

- Square Top Mainsail as shown is required to be Class legal.
- Mainsail to have Cunningham eye fitted.
- Class emblem located and sized as shown.
- Mainsail has 2 sets of reefpoints, positioned as shown.
- Mainsail battens to be parallel with boom or only slightly angled up as shown for easy roller furling.
- Jib hanks to be for 9/32" wire.
- All sails are to be fitted with telltales.
- All eyelets and reinforcing must be extra heavy to suit the very high loads possible with a multihull.



C37 CR/RS sail plan

SAIL AREAS AND DIMENSIONS				
SAIL	LUFF	LEECH	FOOT	AREA
MAIN	14550 47.74'	15120 49.61'	4900 16.08'	58.26sq.m. 627.1sq.ft.
JIB	12700 41.97'	11600 38.06'	4500 14.76'	27sq.m. 290.6sq.ft.
SCREACHER	14050 46.09'	12200 40.03'	8790 28.84'	55sq.m. 592.0sq.ft.
SPINNAKER	16022 52.56'	14850 48.72'	10300 33.79'	121sq.m. 1302.4sq.ft.

NOTES:

1. Max. Righting Moment 122 200 N-m (90 000 ft/lb.)
2. Allow for 50mm (2") mast prebend.
3. Centroid of area, main and jib.
4. Square Top Mainsail as shown is required to be Class legal.

Mainsail is designed to be almost flush with the top of the mast as shown - do not shorten luff, which has outcut as shown for halyard clearance.

- 1/4 girth 3506
- 1/2 girth 4315
- 3/4 girth 4724

Mainsail has 7 battens top angled with a head width of 1800mm

Vertical Batten to be used at head to ensure head stands vertical.

Mainsail batten pocket ends to suit harken batten cars #3834 x 7 (10mm Stud)

Mainsail head board to suit harken head board car assembly #3833 x 1

Mainsail intermediate straps to suit harken cars #3836 x 2

Mainsail has 2 sets of reefpoints, positioned as shown

Mainsail to have Cunningham eye fitted.

Class emblem located and sized as shown.

Jib has straight leech with vertical leech battens to allow furling.

Jib made to suit harken cruising unit 1.

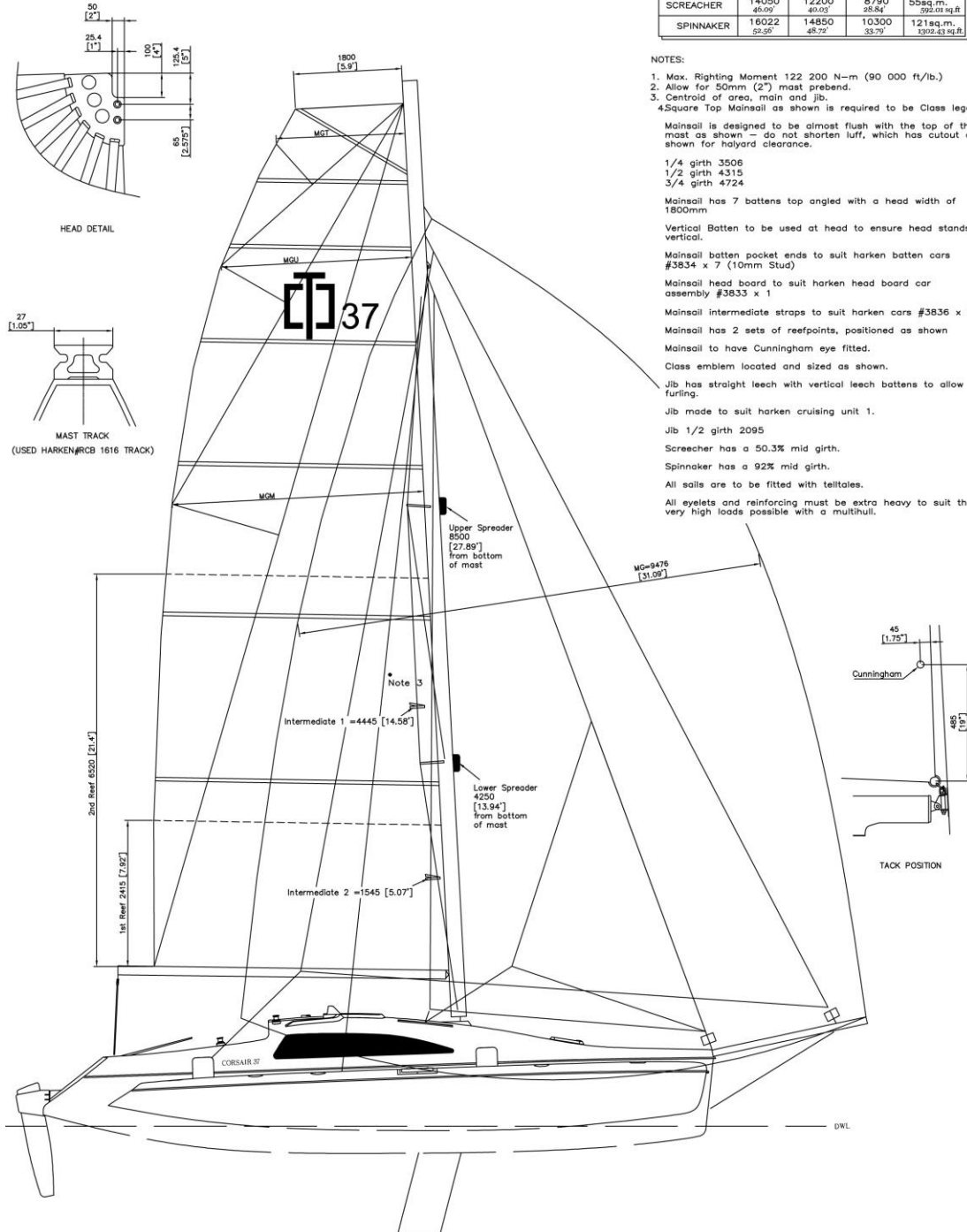
Jib 1/2 girth 2095

Screecher has a 50.3% mid girth.

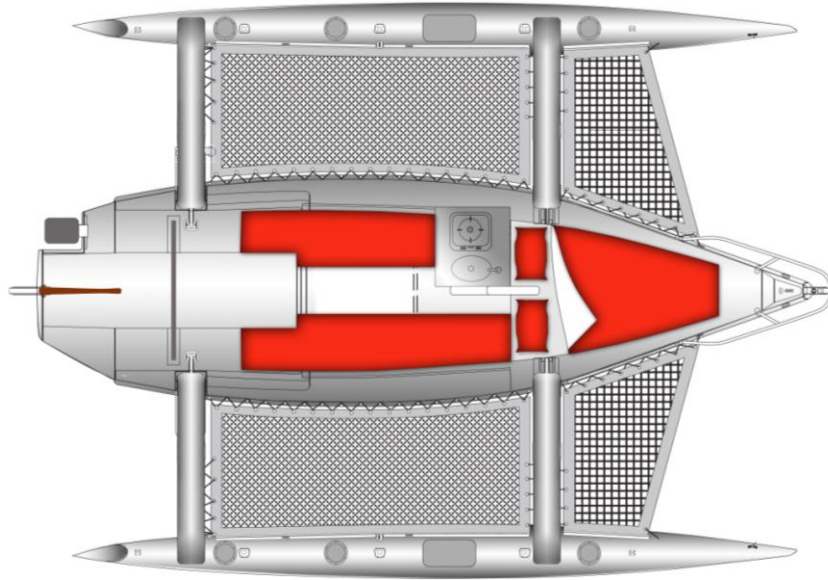
Spinnaker has a 92% mid girth.

All sails are to be fitted with telltales.

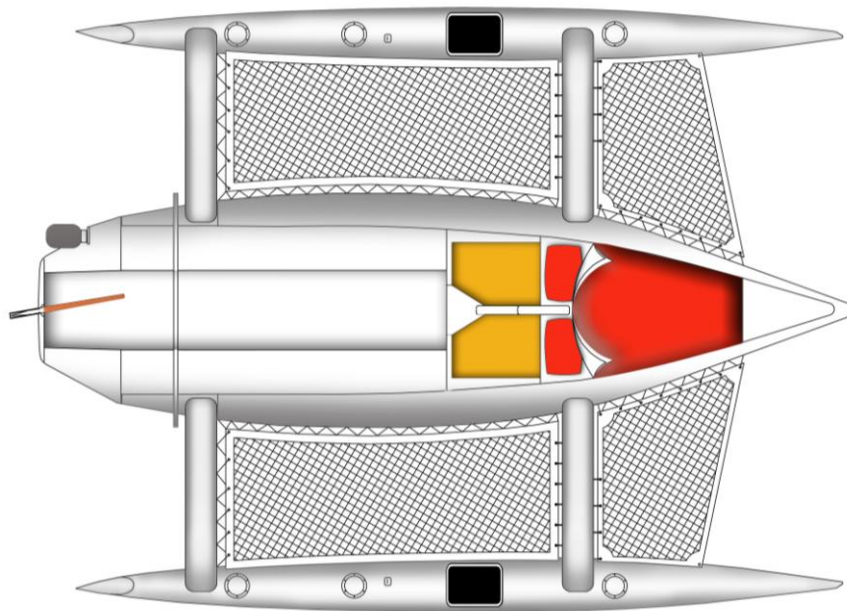
All eyelets and reinforcing must be extra heavy to suit the very high loads possible with a multihull.



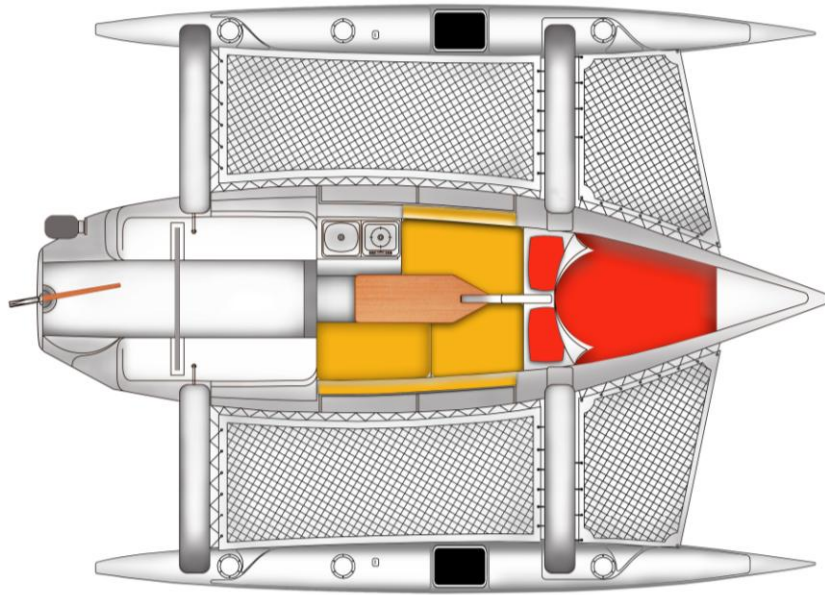
CORSAIR ACCOMODATION PLANS
C24 MKII
accommodation plan



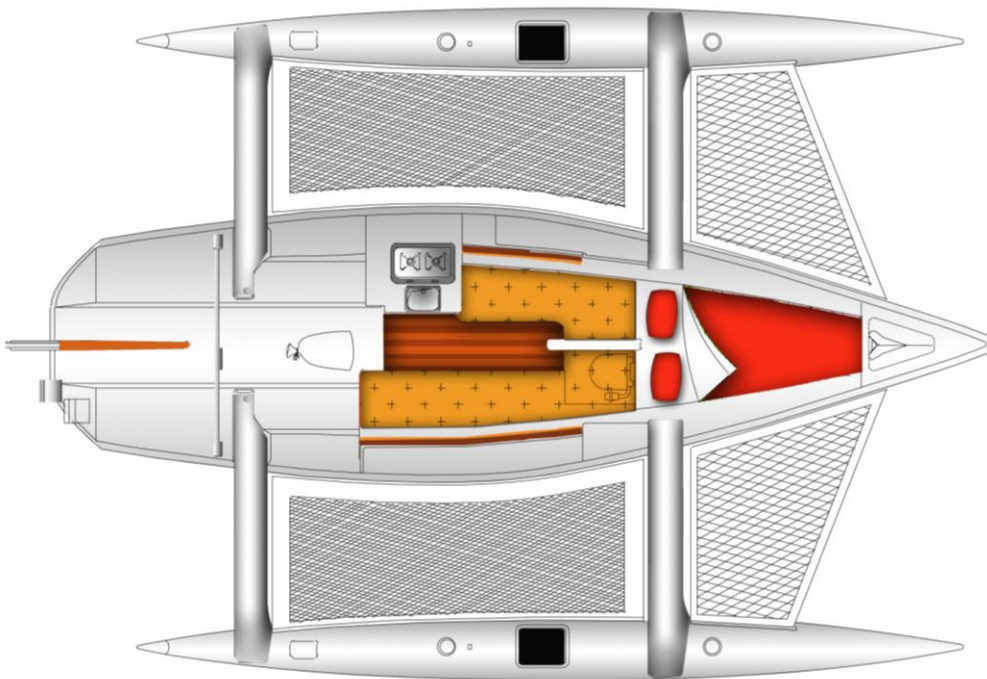
Sprint 750 MKII
accommodation plan



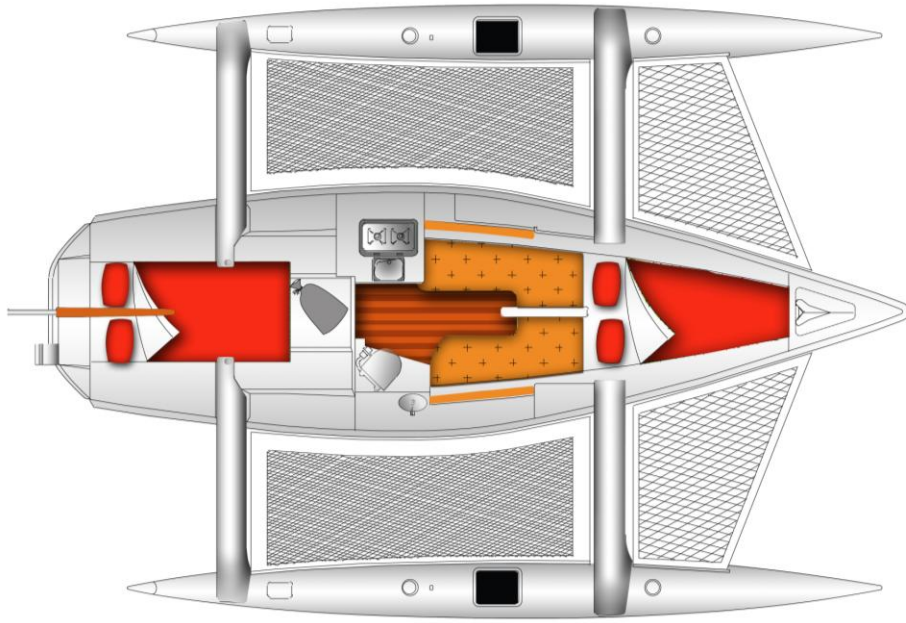
Dash 750 MKII accommodation plan



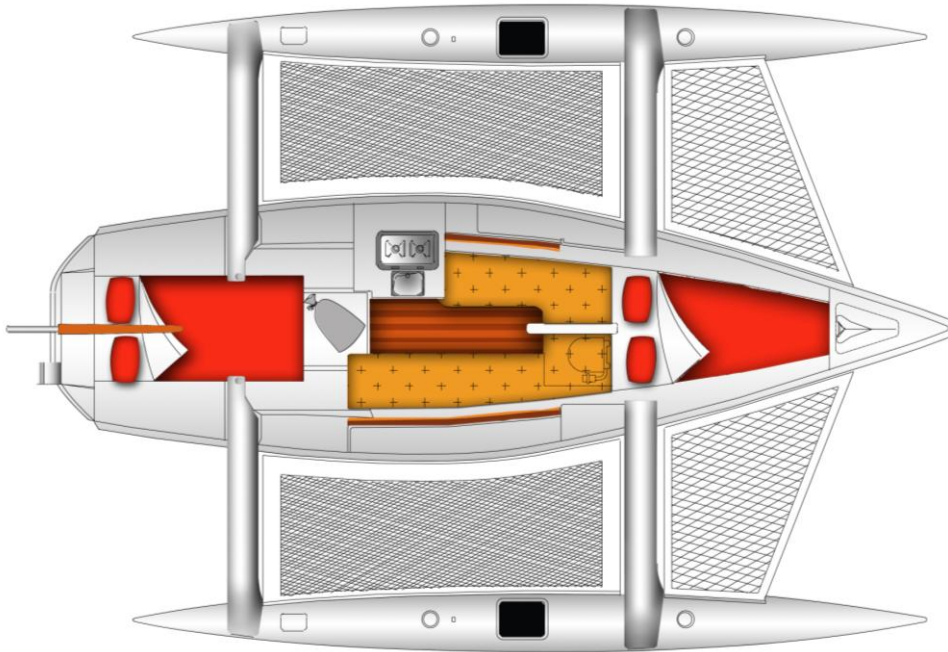
C28 RS accommodation plan



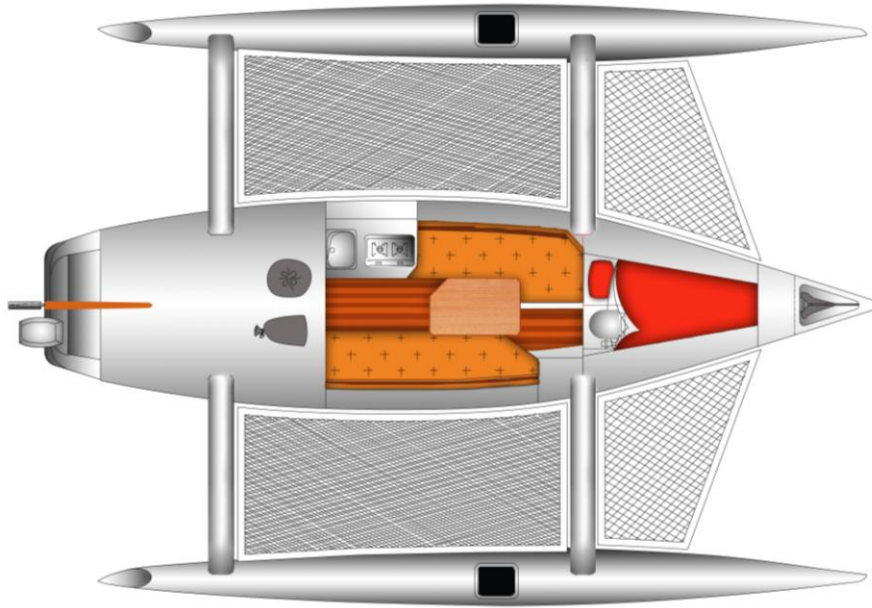
**C28 CR
accommodation plan**



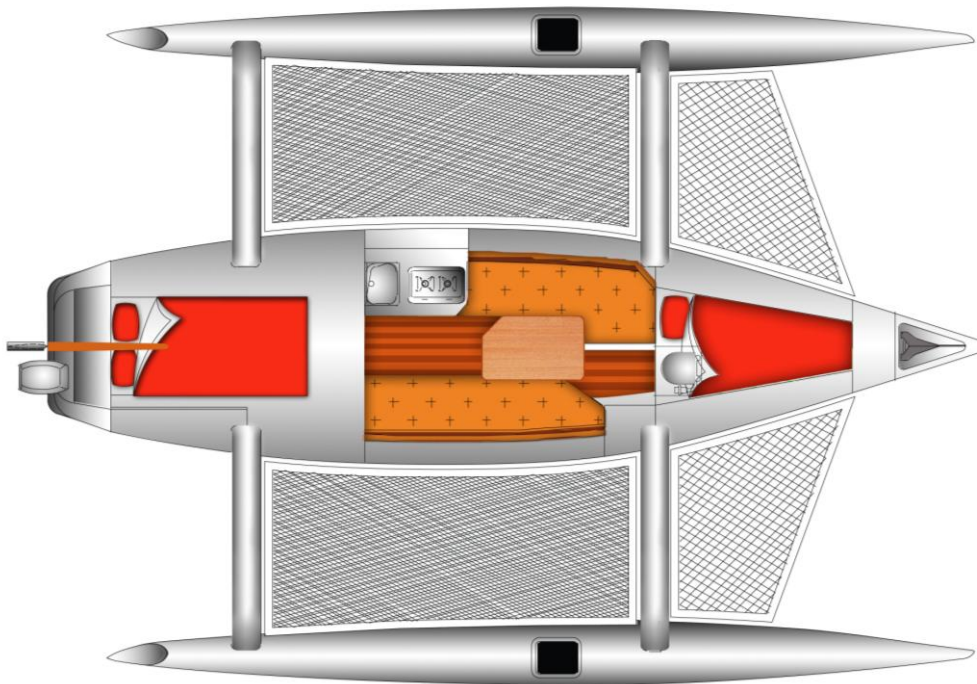
**C28 CE
accommodation plan**



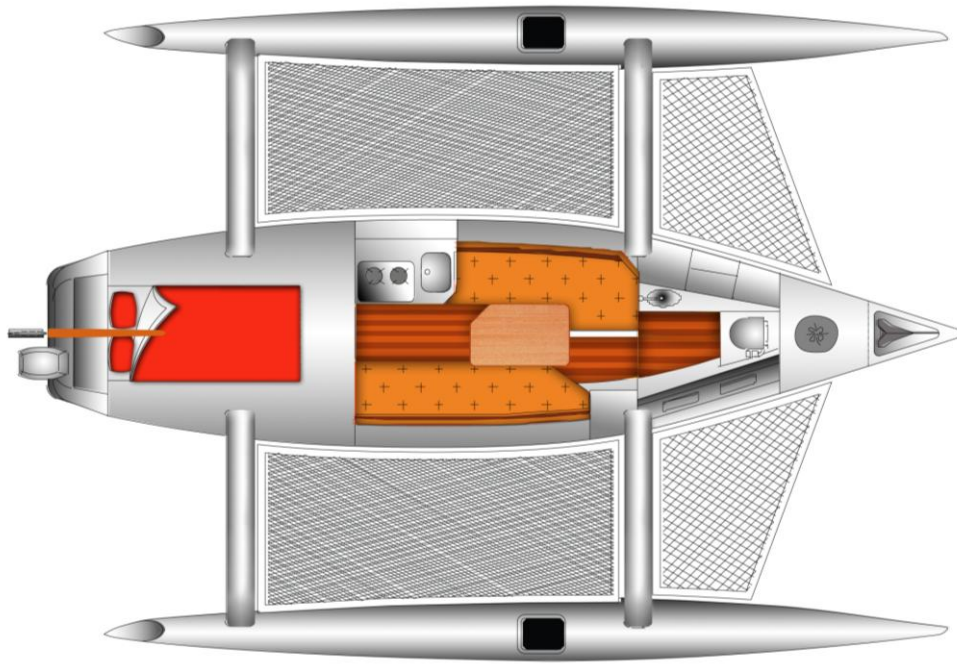
**C31 RS
accommodation plan**



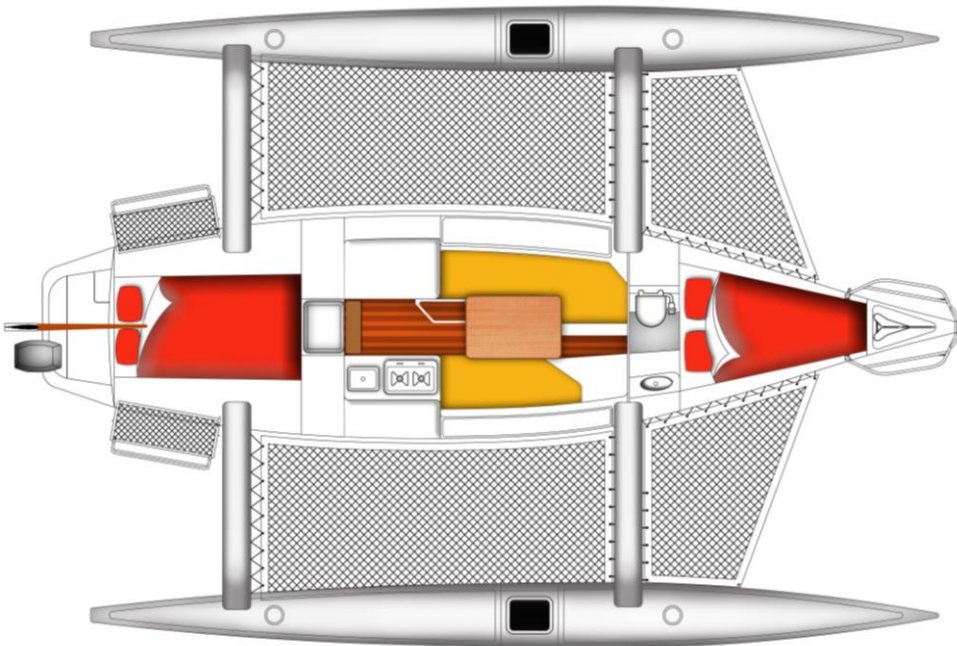
**C31 CR
accommodation plan**



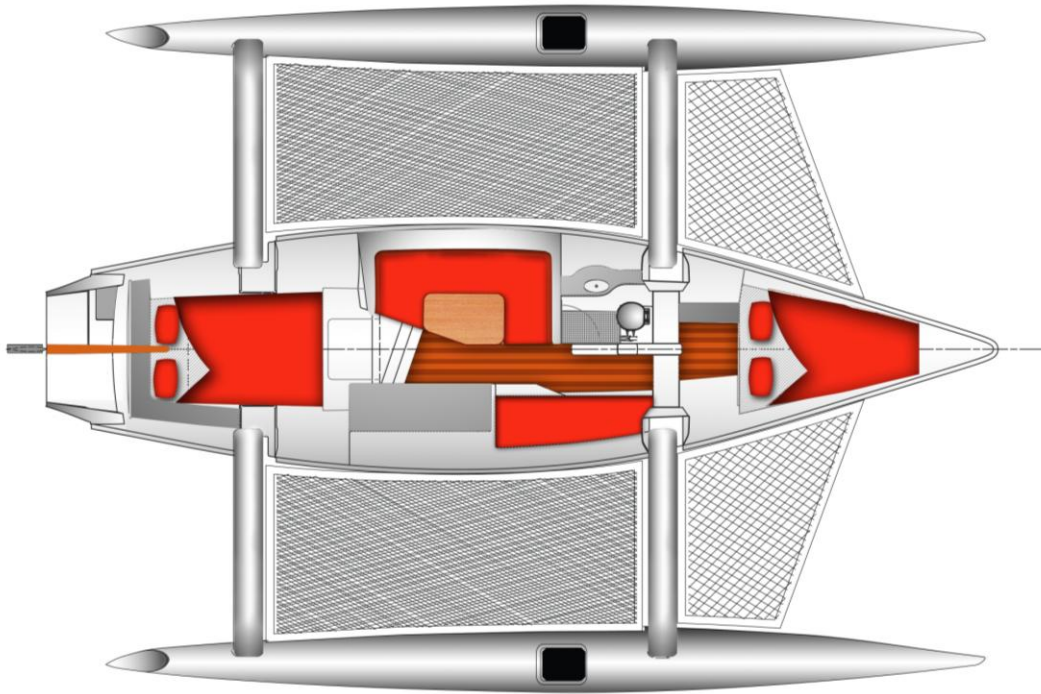
C31 UC accommodation plan



Cruze 970 accommodation plan

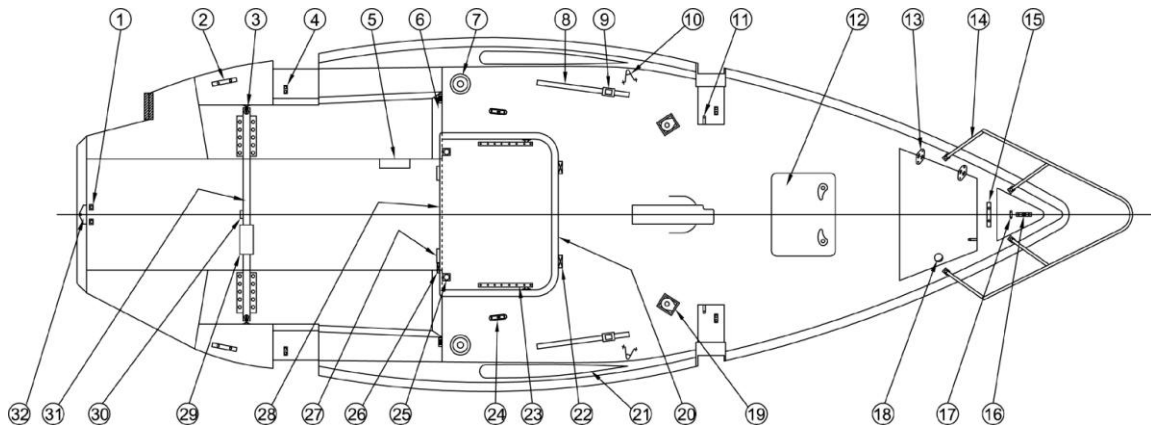


C37 CR/RS accommodation plan



CORSAIR DECK LAYOUTS

Deck layout C24 MKII (part1)

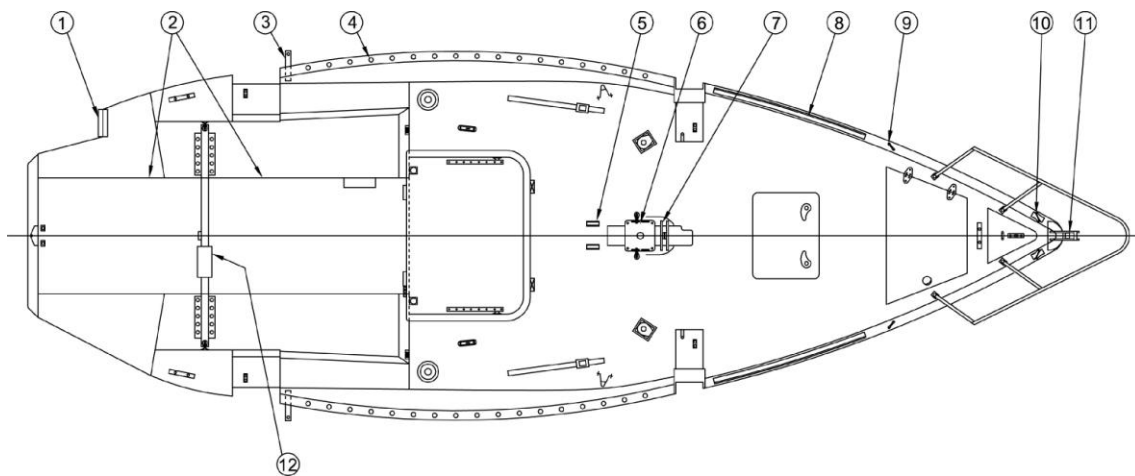


- | | |
|---|---|
| <p>1. Pipe PVC 1"
Collar aft mast support
Cap PVC 1" aft mast tube</p> <p>2. Cleat 6"</p> <p>3. Block w/shackle Harken
Eye strap Harken
Spring traveler outhaul block</p> <p>4. Pad beam bolt
Spacer beam bolt pad</p> <p>5. Winch handle pocket Seadog</p> <p>6. Camcleat Ronstan
Plate backup camcleat
Wedge camcleat large</p> <p>7. Winch B16.2A
Plate backup winch</p> <p>8. Low beam w/pinstop hole
Plate backup t-track schaffer
End stop trim cap</p> <p>9. Jib lead slider
Block 57mm Carbo Ti-lite</p> <p>10. Mast raising wire anchor loop
Plate backup raising loops
Eye strap w/ferrule
Bushing nylon 1/4" mast raising
brkts</p> <p>11. U-bolt
Backing plate U-bolt</p> <p>12. Hatch 30 low</p> | <p>20. Trimloc 3/16" poptop black s/seal</p> <p>21. Window side</p> <p>22. Hasp Perko</p> <p>23. Hinge deck side mount
S/S tube
Insert poptop
Bracket deck plastic white
Track slide
Track S/S poptop
Track end
Track stop
Nut #10 barrel Beckson chrome</p> <p>24. Camcleat plastic
Plate backup camcleat</p> <p>25. Bracket deck plastic white
Insert poptop
Bushing poptop addition
Bushing poptop
S/S tube
Bracket poptop
Pin S/S quick
Chain S/S
Chain end with eye
Sleeve brass retainer</p> <p>26. Nut 1/4" barrel Beckson chrome
Nut #10 barrel Beckson chrome</p> <p>27. Hasp Perko
Packing block lock UHMW poly</p> |
|---|---|



- | | |
|-------------------------------|------------------------------------|
| 13. Hinge anchor locker | 28. Plastic 1/8" black hatch slide |
| 14. Pulpit | Hatch main companionway lower |
| 15. Cleat 8" chrome | Hatch main companionway top |
| Plate backup cleat mooring | 29. Plate main hatch foot UHMW |
| 16. Chain plate forestay | 30. Traveler car Harken H1628 |
| 17. Bolt | 31. Gudgeon aft mast support |
| Backing plate U-bolt | 32. Traveler track anodized |
| 18. Latch flush pull black | Sub. traveler welded 3 hole plate |
| 19. Block cheek 2.25 | End stop for high beam traveler |
| Packing block for cheek block | Gudgeon rudder transom |
| Plate back up for cheek block | |

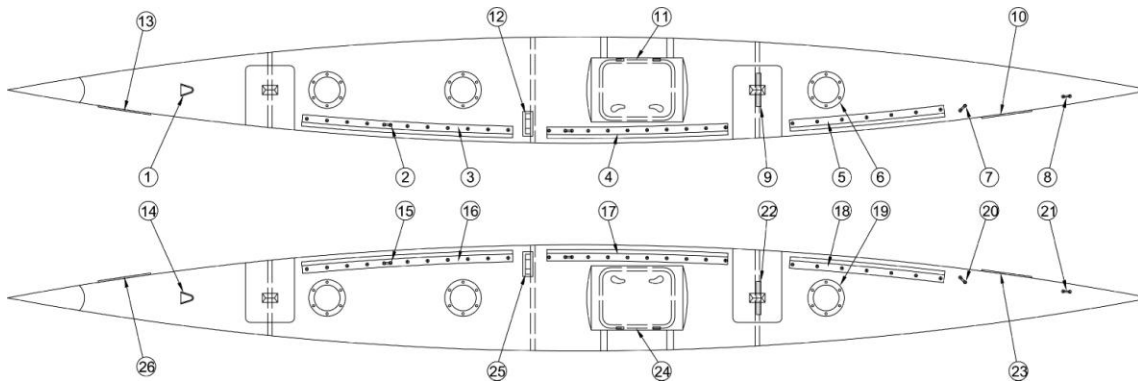
Deck layout C24 MKII (part2)



- | | |
|----------------------------------|-------------------------|
| 1. Pad engine mount (outboard) | 6. Mast step |
| Pad engine mount (inboard) | 7. Side sheave box |
| 2. Trim edging 1/4" white pebble | Pin sheave box |
| 3. Bracket 24 beam retaining | Sheave D/B control line |
| Bracket 24 hull beam retaining | 8. Toe rail bow |
| Pin rigging | 9. Eye strap RF1055 |
| Chain (pin retaining) | 10. Bow chock 4-1/2" |
| Chain ends with eye | 11. Bow roller mount |
| Split rings | Sheave bow roller |
| 4. Wing net rope retaining white | |
| 5. Hinge deck 90° | |
| Pin detent 1/4" x 1-1/2" | |

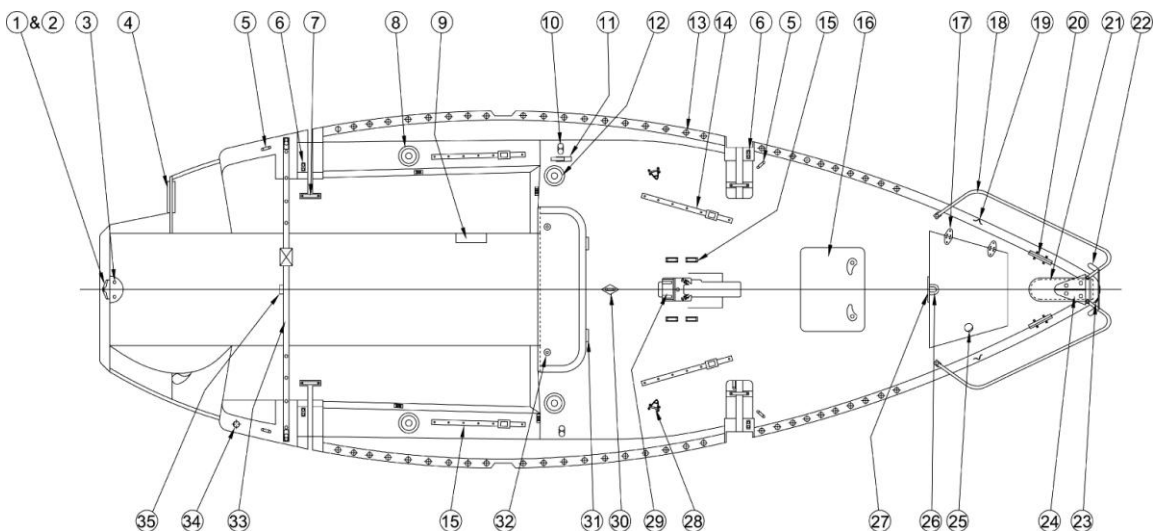


Float layout C24 MKII



- | | |
|--------------------------------------|--------------------------------------|
| 1. Vent midget | 14. Vent midget |
| 2. Eye strap RF1055 | 15. Eye strap RF1055 |
| 3. Rail 24 wing net 65" aft | 16. Rail 24 wing net 65" aft |
| 4. Rail 24 wing net 54" fwd | 17. Rail 24 wing net 54" fwd |
| 5. Rail 24 bow net 38" | 18. Rail 24 Bow net 38" |
| 6. Hatch 6" Viking/ Becson 1139 | 19. Hatch 6" Viking/ Becson 1139 |
| 7. Eye saddle RF134 | 20. Eye saddle RF134 |
| 8. Eye strap RF528 | 21. Eye strap RF528 |
| 9. Hatch 4" | 22. Hatch 4" |
| 10. Non-skid strip | 23. Non-skid strip |
| 11. Hatch 30 low profile | 24. Hatch 30 low profile |
| 12. Chain plate
Cover chain plate | 25. Chain plate
Cover chain plate |
| 13. Non-skid strip | 26. Non-skid strip |

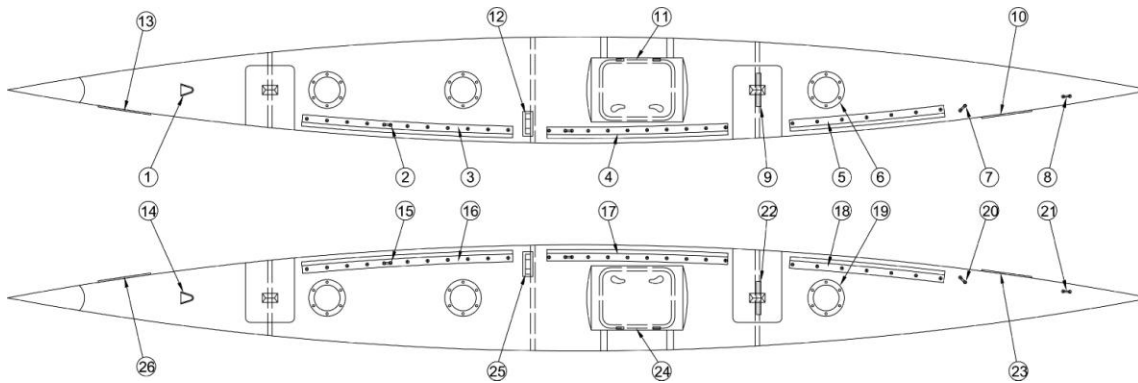
Deck layout Sprint 750 MKII



1. Gudgeon lower plate
2. Gudgeon upper plate
3. Pipe PVC 1"
Cap PVC 1" aft mast support tube
4. Pad engine mount (outboard)
5. U bolt
6. Pad beam bolt
Spacer beam bolt pad
7. Pin pivot upper folding strut
8. Winch 2 SPD 20.2 Harken
Plate backup winch
9. Winch handle pocket Seadog
10. Camcleat Harken carbon
Plate backup camcleat
11. Rope clutch single spinlock
Plate backup Spinlock clutch
12. Winch 1 SPD 20. STA Harken
Plate backup winch
13. Wing net rope retaining white
14. Low beam w/pinstop hole
Plate backup t-track Harken
End stop trim cap
Jib lead slider
Block 57mm Carbo Ti-lite
15. Block stand up
16. Hatch 30 low Lewmar
17. Hinge anchor locker
18. Pulpit
19. Eye strap RF528
20. Cleat 8" chrome
21. Cover 750 spin pole sleeve
22. Light navigation
23. Hook spring clip w/base for mast
Raising line off trailer
24. Fitting forestay
25. Latch flush pull black
26. U bolt
27. Hatch 4"
28. Mast raising wire anchor loop
Plate backup raising loops
Eye strap s/ferrule
Bushing nylon 1/4" mast raising
brkts
Cotter ring
29. Mast raising 750 hinge clip
Mast base plate
Sheave 36 lazy cradle
Mast step pivot ball
Camcleat RF5000
Fairlead for small camcleat
30. U-bolt RF529 w/base pad
or rotation prevent
31. Hinge Pr companionway smoked
Spacer hatch hinge
32. Sealing cover small used w/
Southco lock
Tubular key used w/Southco lock
Lock waterproof tubular head
Striker plate
33. Block cheek
Bump rudder track stop 750 main
End cap traveler track
Traveler track 75" midrange Hi
beam anodized
Traveler car Harken H1628
34. Stern light
35. Gudgeon aft mast support



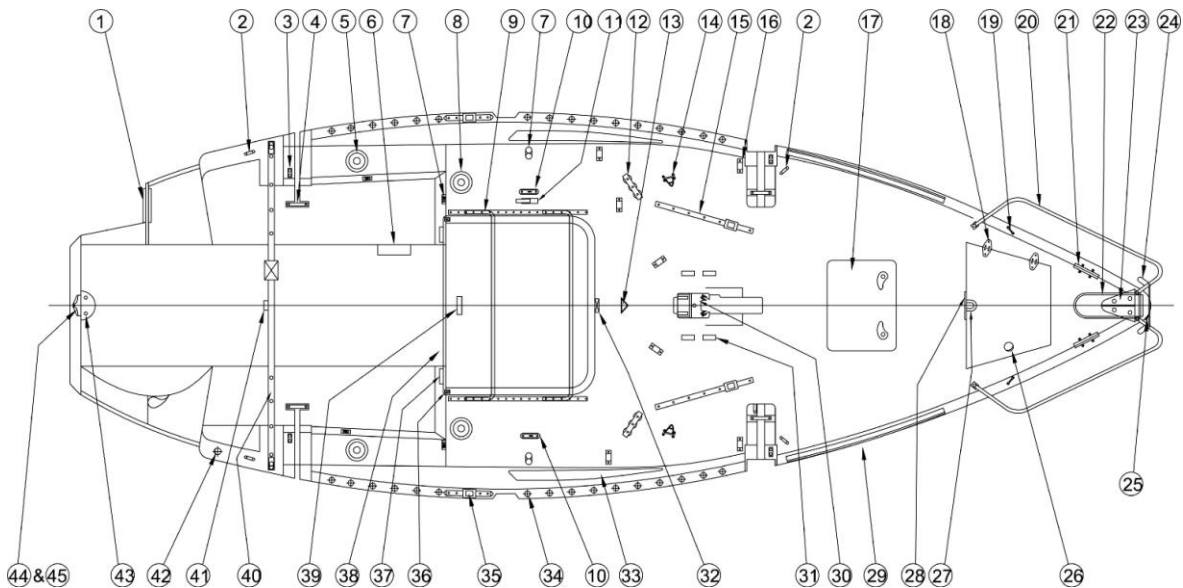
Float layout Sprint 750 MKII



- | | |
|--------------------------------------|--------------------------------------|
| 1. Vent midget | 14. Vent midget |
| 2. Eye strap RF1055 | 15. Eye strap RF1055 |
| 3. Rail 24 wing net 65" aft | 16. Rail 24 wing net 65" aft |
| 4. Rail 24 wing net 54" fwd | 17. Rail 24 wing net 54" fwd |
| 5. Rail 24 bow net 38" | 18. Rail 24 Bow net 38" |
| 6. Hatch 6" Viking/ Becson 1139 | 19. Hatch 6" Viking/ Becson 1139 |
| 7. Eye saddle RF134 | 20. Eye saddle RF134 |
| 8. Eye strap RF528 | 21. Eye strap RF528 |
| 9. Hatch 4" | 22. Hatch 4" |
| 10. Non-skid strip | 23. Non-skid |
| 11. Hatch 30 low profile | 24. Hatch 30 low profile |
| 12. Chain plate
Cover chain plate | 25. Chain plate
Cover chain plate |
| 13. Non-skid | 26. Non-skid strip |



Deck layout Dash 750 MKII

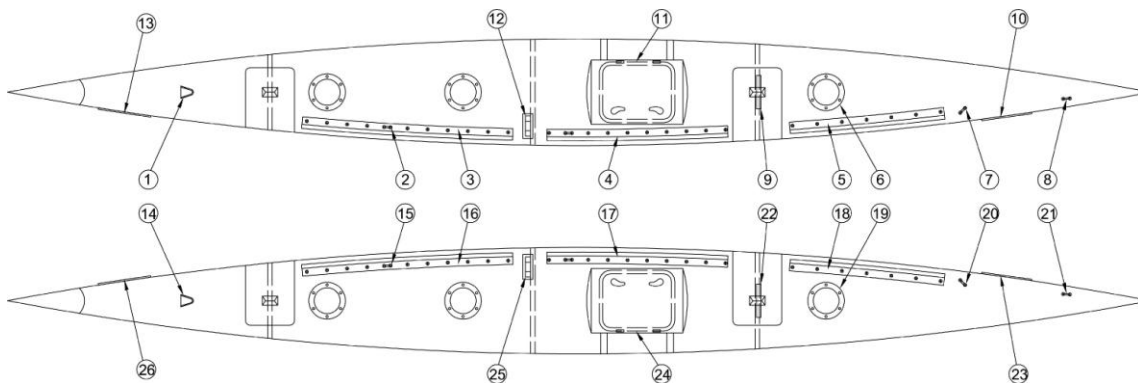


- | | |
|---|--|
| 1. Pad engine mount (outboard)
Pad engine mount (inboard) | 21. Cleat 8" chrome |
| 2. U-bolt
Backing plate U-bolt | 22. Cover 750 spin pole sleeve |
| 3. Pad beam bolt
Spacer beam bolt pad | 23. Fitting forestay |
| 4. Pin pivot upper folding strut | 24. Light navigation |
| 5. Winch B16.2A
Backing plate winch | 25. Hook spring clip w/base for mast |
| 6. Winch handle pocket Seadog | 26. Latch flush pull black |
| 7. Camcleat Harken carbon
Backing plate camcleat | 27. U-bolt |
| 8. Winch B16.2A self tailing
Backing plate winch | 28. Hatch 4" |
| 9. Poptop | 29. Toe rail bow |
| 10. Camcleat plastic
Backing plate camcleat | 30. Mast raising 750 hinge clip
Mast base plate
Sheave 36 lazy cradle
Mast step pivot ball |
| 11. Rope clutch single Spinlock
Backing plate Spinlock | 31. Block stand up |
| 12. Deck organizer 3 block | 32. Poptop latching plate
Poptop front lock plate |
| 13. Pad eye folding for rotation
preventer
Backing plate pad eye folding | 33. Window main side |
| 14. Mast raising wire anchor loop
Backing plate raising loops
Eye strap w/ferrule rig | 34. Wing net rope retaining white |
| | 35. Low beam w/pin stop hole
End stop trim cap
Jib lead slider
Block 57mm Carbo Ti-lite
Spacer cabin wing net rail |
| | 36. Poptop back lock plate |
| | 37. Sealing cover small
Tubular key |



- | | |
|--|---|
| Bushing nylon 1/4" mast raising brackets | Lock waterproof tubular head |
| Cotter ring | 38. Companionway step |
| 15. Low beam w/ pinstop hole | 39. Poptop handle |
| Plate backup t-track Harken | 40. Block cheek |
| End stop trim cap | Bump rudder track stop 750 main |
| Jib lead slider | End cap traveler track |
| Block 57mm Carbo Ti-lite | Traveler track 75" mid range Hi beam anodized |
| Backing plate SS track Harken track | Traveler car Harken H1628 |
| 16. Fairlead nylon | 41. Gudgeon aft mast support |
| Plate backup fairlead | 42. Stern light |
| 17. Hatch 30 low | 43. Pipe PVC 1" |
| 18. Hinge anchor locker | Cap PVC 1" aft mast support tube |
| 19. Eye strap RF1055 | 44. Gudgeon lower plate |
| 20. Pulpit | 45. Gudgeon upper plate |

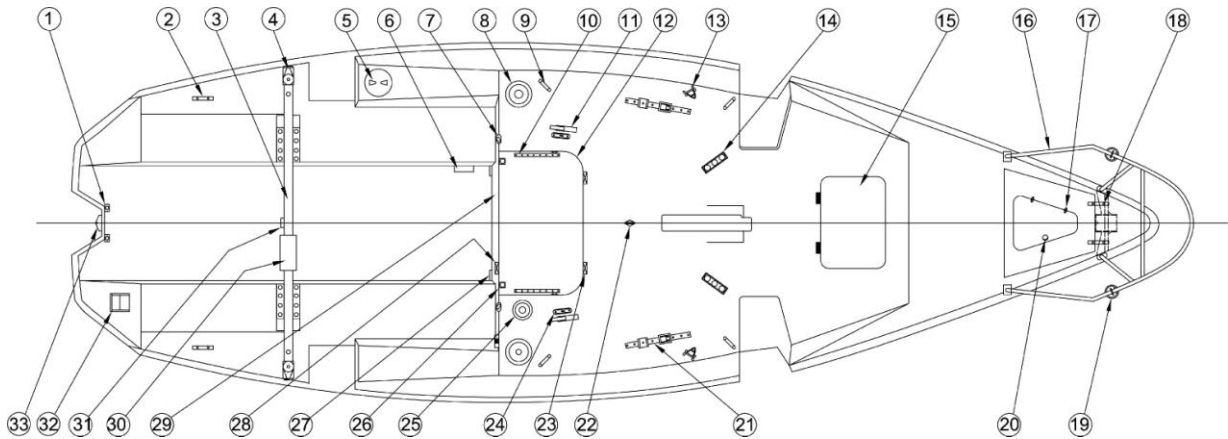
Float layout Dash 750 MKII



- | | |
|---------------------------------|----------------------------------|
| 1. Vent midget | 14. Vent midget |
| 2. Eye strap RF1055 | 15. Eye strap RF1055 |
| 3. Rail 24 wing net 65" aft | 16. Rail 24 wing net 65" aft |
| 4. Rail 24 wing net 54" fwd | 17. Rail 24 wing net 54" fwd |
| 5. Rail 24 bow net 38" | 18. Rail 24 Bow net 38" |
| 6. Hatch 6" Viking/ Becson 1139 | 19. Hatch 6" Viking/ Becson 1139 |
| 7. Eye saddle RF134 | 20. Eye saddle RF134 |
| 8. Eye strap RF528 | 21. Eye strap RF528 |
| 9. Hatch 4" | 22. Hatch 4" |
| 10. Non-skid | 23. Non-skid |
| 11. Hatch 30 low profile | 24. Hatch 30 low profile |
| 12. Chain plate | 25. Chain plate |
| Cover chain plate | Cover chain plate |
| 13. Non-skid | 26. Non-skid |



Deck layout C28 RS (part1)

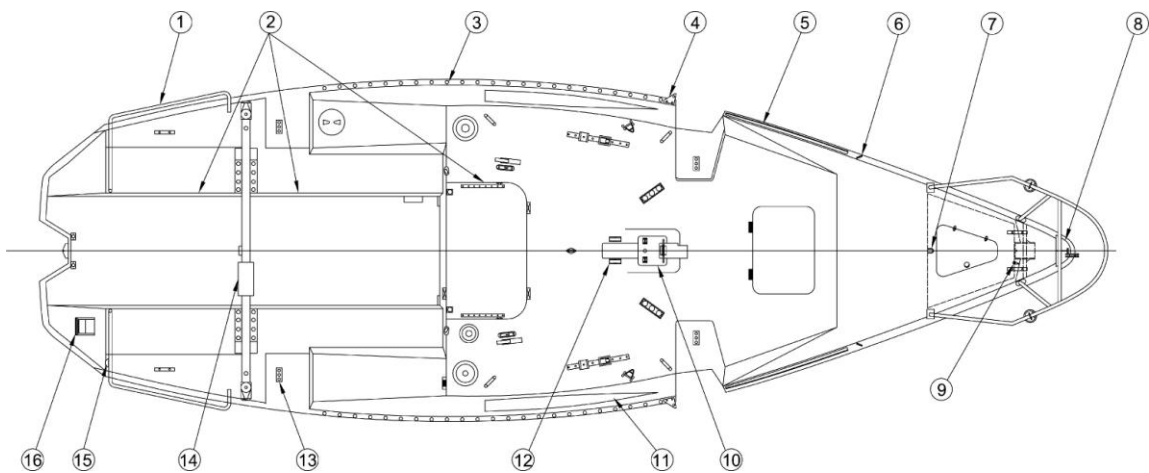


- | | |
|---|---|
| 1. Collar aft mast support
Pipe PVC 1-1/4" aft mast
Cap PVC aft mast support tubes | 19. Light navigation port and stb |
| 2. Cleat 8 chrome
Plate backup cleat mooring | 20. Latch flush pull black |
| 3. Traveler track
Sub traveler track & bar welded
Cap end traveler
Wing net rope retainer white | 21. T-track alum. 25mm
Plate sheet track
Stop end t-track Harken
Car genoa lead alum.
Stop t-track Harken |
| 4. Control traveler | 22. U-bolt w/base pad |
| 5. Hatch 6" white | 23. Hasp Perko |
| 6. Winch handle pocket Seadog | 24. Camcleat plastic
Plate backup camcleat |
| 7. Camcleat plastic
Plate backup camcleat | 25. Winch B32.2 STD self tailing
Plate backup winch |
| 8. Winch B40.2A two speed
Plate backup winch | 26. Bracket deck plastic white
Insert poptop
Bushing poptop
S/S tube
Bracket poptop
Pin S/S quick 3/16"x1-1/2"
Chain S/S
Chain end with eye
Sleeve brass retainer(for bead chain) |
| 9. Lifting eye (U-bolt)
Plate backup lifting eye | 27. Plastic actl. 1/8" black hatch slide
Hatch main companionway lower
Hatch main companionway top |
| 10. Hinge deck side mount
S/S tube
Insert poptop
Bracket deck plastic white
Track slide
Track S/S poptop
Tracks end
Tracks stop
Nut #10 barrel Beckson chrome | 28. Hasp Perko
Packing block lock UHHMS poly |
| 11. Rope clutch single spinlock
Plate backup rope clutch | |
| 12. Trimloc 3/16" poptop black w/seal | |



- 13. Eye strap w/ ferrule
Plate backup raising loop
Bushing nylon mast raising
Mast raising wire
Cotter ring
- 14. Organizer deck triple Harken
Pad backup deck organizer
Plate backup triple organizer
- 15. Hatch 44 fwd w/stay arm
Hatch trim 44 white
- 16. Pulpit
- 17. Hinge anchor locker S/S
- 18. Cleat 8 chrome
Plate backup cleat mooring
- 29. Plate main hatch foot
- 30. Traveler car
- 31. Gudgeon aft mast support
- 32. Bracket outboard
- 33. Gudgeon transom

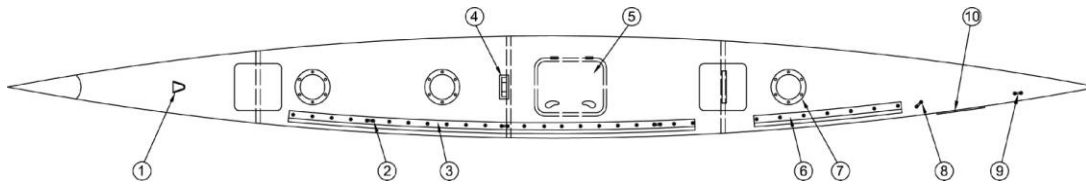
Deck layout C28 RS (part2)



- 1. Pushpit
- 2. Trim edging 1/4" white pebble
- 3. Wing net rope retainer white
- 4. Beam retaining plate cabin
Chain (pin retaining)
Chain ends with eye
Split rings
Pin rigging
Beam retaining bracket
Rod polyurethane cast
- 5. Bow toe rail
- 6. Eye strap Rf134
- 7. U-bolt (inside anchor well)
- 8. Bow roller
Sheave bow roller
- 9. Block stand-up
Rope 6mm black
- 10. Mast base
- 11. Window side large
- 12. Hinge deck 90°
Pin detent 1/4"
- 13. Bracket folding upper strut
Pad bolt S/S
- 14. Rope 8mm blue
- 15. Light LED stern
- 16. Pads outboard bracket

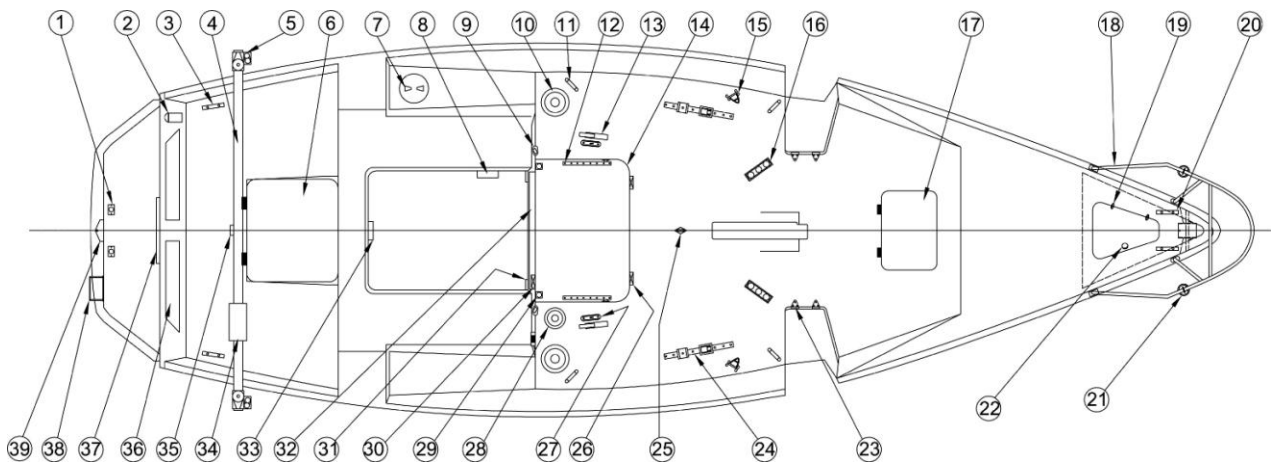


Float layout C28 RS



- | | |
|-------------------------------------|---------------------------|
| 1. Vent midget | 6. Rail 24 bow net 38" |
| 2. Eye strap | 7. Hatch 6" Viking/Becson |
| 3. Rail 28 wing net | 8. Eye saddle RF134 |
| 4. Chain plate
Cover chain plate | 9. Eye strap RF528 |
| 5. Hatch 30 low profile | 10. Non-skid |

Deck layout C28 CR (part1)



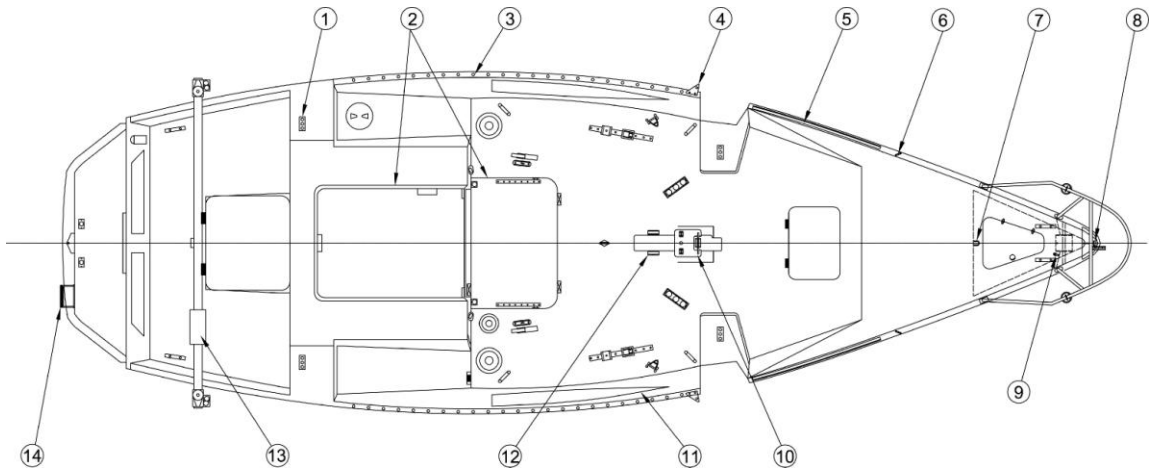
- | | |
|--|--|
| 1. Collar aft mast support
Pipe PVC 1-1/4" aft mast
Cap PVC aft mast support tubes | 19. Hinge anchor locker S/S |
| 2. Light LED stern
Bracket stern light | 20. Cleat 8 chrome |
| 3. Cleat 8 chrome
Plate backup cleat mooring | 21. Plate backup cleat mooring light
navigation port and stb |
| 4. Traveler track
Sub. drill and anodize traveler track
Traveler horse end bracket
Cap end traveler | 22. Latch flush pull black |
| 5. Control traveler Pr | 23. Hinge module cover |
| 6. Hatch 60 low profile
Hatch trim 60 white | 24. T-track-alum. 25mm
Plate sheet track
Stop end t-track Harken
Car genoa alum.
Stop t-track Harken |
| 7. Hatch 6" white | 25. U-bolt w/base pad |
| 8. Winch handle pocket Seadog | 26. Hasp Perko |
| | 27. Camcleat plastic
Plate backup winch |
| | 28. Winch B32.2 STD self tailing |



9. Camcleat plastic
Plate backup camcleat
10. Winch B40.2A two speed
Plate backup winch
11. Lifting eye (U-bolt)
Plate backup lifting eye
12. Hinge deck side mount
S/S tube
Insert poptop
Bracket deck plastic white
Track slide
Track S/S poptop
Track end
Track stop
Nut #10 barrel Beckson chrome
13. Rope clutch single Spinlock
Plate backup rope clutch
14. Trimloc 3/16" poptop black w/seal
15. Eye strap w/ferrule
Plate backup raising loop
Bushing nylon mast raising brackets
Cotter ring
Mast raising wire anchor loop
16. Organize deck triple Harken
Pad backup deck organizer
Plate backup triple organizer
17. Hatch 44 fwd w/stay arm
Hatch trim 44 white
18. Pulpit
Plate backup winch
29. Bracket deck plastic white
Insert poptop
Bushing poptop addition
Bushing poptop
S/S tube
Bracket poptop
Pin S/S quick 3/16" x 1-1/2"
Chain S/S
Chain end with eye
Sleeve brass retainer (for bead chain)
Nut 1/4" barrel Beckson chrome
Nut #10 barrel Beckson chrome
30. Plastic actl. 1/8" black hatch slide
Hatch main companionway lower
Hatch main companionway top
31. Hasp Perko
Packing block lock UHMW poly
32. Plate main hatch foot
33. Bracket table mounting plate
34. Traveler car
Block double control
35. Gudgeon aft mast support
36. Window aft
37. Hatch W/screen & trim
38. Bracket outboard
39. Gudgeon transom

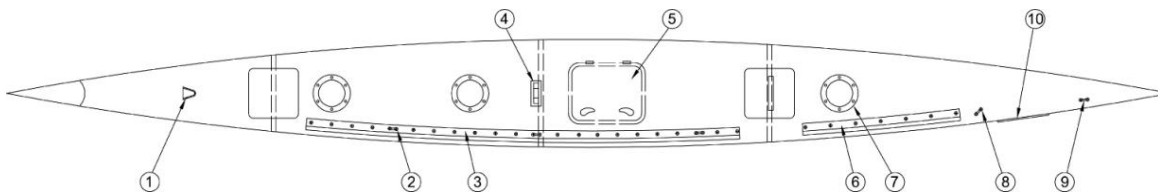


Deck layout C28 CR (part2)



- | | |
|--|---|
| <ul style="list-style-type: none"> 1. Bracket folding upper strut
Pad bolt S/S 2. Trim edging 1/4" white pebble 3. Wing net rope retainer white 4. Beam retaining plate cabin
Chain (pin retaining)
Chain ends white eye
Split rings
Pin rigging
Beam retaining bracket
Rod polyurethane cast 5. Bow toe rail | <ul style="list-style-type: none"> 6. Eye strap RF134 7. U-bolt (inside anchor well) 8. Bow roller w/chain plate
Sheave bow roller 9. Block stand-up
Rope 6mm black 10. Mast base 11. Window side large 12. Hinge deck 90°
Pin detent 1/4"x1-1/2" 13. Rope 8mm 14. Pads outboard bracket |
|--|---|

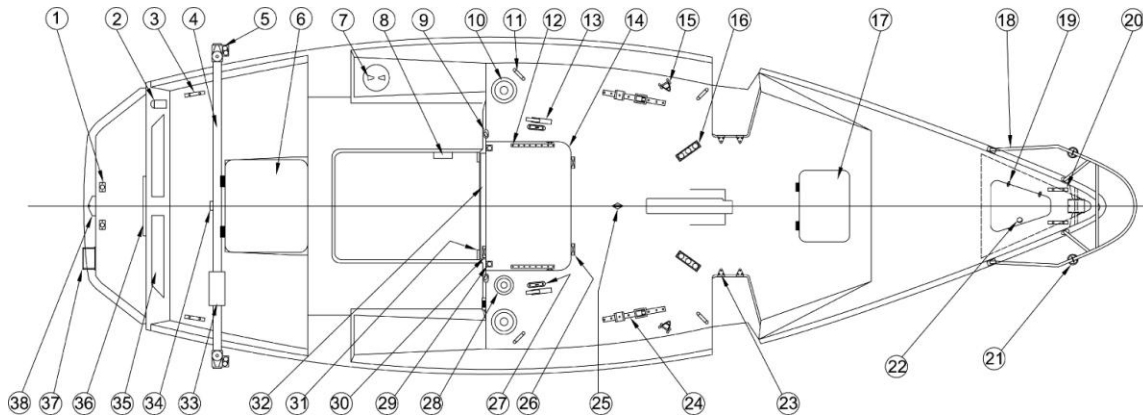
Float layout C28 CR



- | | |
|--|--|
| <ul style="list-style-type: none"> 1. Vent midget 2. Eye strap 3. Rail 28 wing net 4. Chain plate
Cover chain plate 5. Hatch 30 low profile | <ul style="list-style-type: none"> 6. Rail 24 bow net 38" 7. Hatch 6" Viking/Becson 8. Eye saddle RF134 9. Eye strap RF528 10. Non-skid |
|--|--|



Deck layout C28 CE (part1)

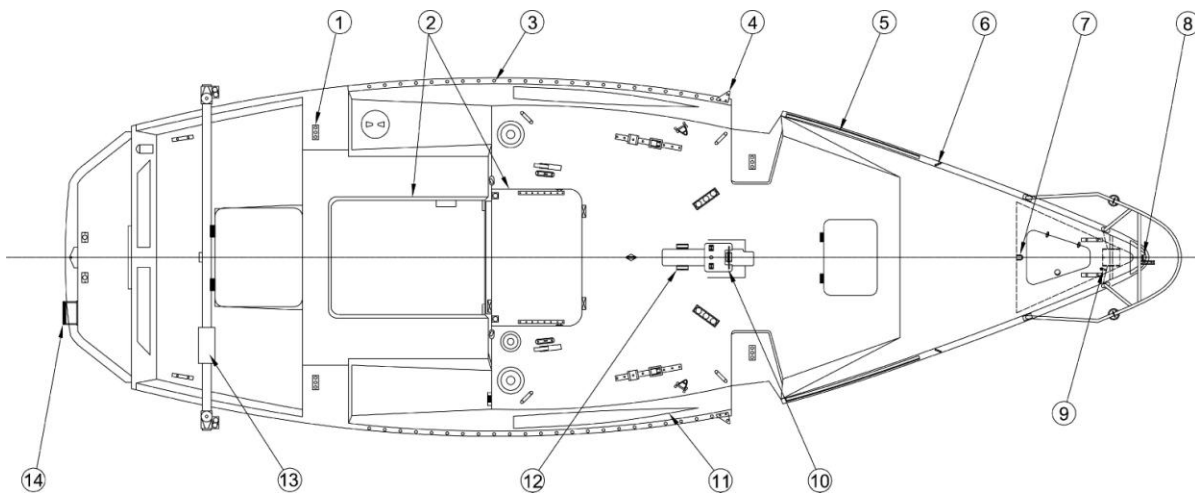


- | | |
|--|---|
| 1. Collar aft mast support
Pipe PVC 1-1/4" aft mast
Cap PVC aft mast support tubes | 18. Pulpit |
| 2. Light LED stern
Bracket stern light | 19. Hinge anchor locker S/S |
| 3. Cleat 8" chrome
Plate backup cleat mooring | 20. Cleat 8" chrome |
| 4. Traveler track
Sub. drill and anodize traveler track
Traveler horse end bracket
Cap end traveler | 21. Plate backup cleat mooring light
navigation port and stb |
| 5. Control traveler Pr | 22. Latch flush pull black |
| 6. Hatch 60 low profile
Hatch trim 60 white | 23. Hinge module cover |
| 7. Hatch 6" white | 24. Track t-alum. 25mm
Plate sheet track
Stop end t-track Harken
Car genoa alum.
Stop t-track Harken |
| 8. Winch handle pocket Seadog | 25. U-bolt w/base pad |
| 9. Camcleat plastic
Plate backup camcleat | 26. Hasp Perko |
| 10. Winch B40.2A two speed
Plate backup winch | 27. Camcleat plastic
Plate backup winch |
| 11. Lifting eye (U-bolt)
Plate backup lifting eye | 28. Winch B32.2 STD self tailing
Plate backup winch |
| 12. Hinge deck side mount
S/S tube
Insert poptop
Bracket deck plastic white
Track slide
Track S/S poptop
Track end
Track stop | 29. Bracket deck plastic white
Insert poptop
Bushing poptop addition
Bushing poptop
S/S tube
Bracket poptop
Pin S/S quick 3/16" x 1-1/2"
Chain S/S
Chain end with eye
Sleeve brass retainer (for bead chain)
Nut 1/4" barrel Beckson chrome |



- | | |
|---|---|
| Nut #10 barrel Beckson chrome | Nut #10 barrel Beckson chrome |
| 13. Rope clutch single Spinlock
Plate backup rope clutch | 30. Plastic. 1/8" black hatch slide
Hatch main companionway lower
Hatch main companionway top |
| 14. Trimloc 3/16" poptop black w/seal | 31. Hasp Perko
Packing block lock UHMW poly |
| 15. Eye strap w/ferrule
Plate backup raising loop
Bushing nylon mast raising brackets
Cotter ring
Mast raising wire anchor loop | 32. Plate main hatch foot |
| 16. Organizer deck triple Harken
Pad backup deck organizer
Plate backup triple organizer | 33. Traveler car
Block double control |
| 17. Hatch 44 fwd w/stay arm
Hatch trim 44 white | 34. Gudgeon aft mast support |
| | 35. Window aft |
| | 36. Hatch w/screen & trim |
| | 37. Bracket outboard |
| | 38. Gudgeon transom |

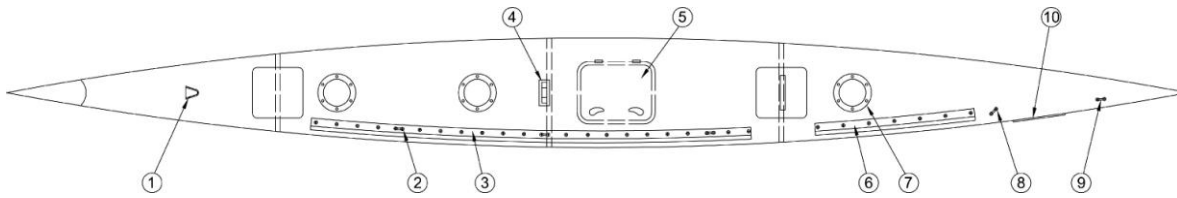
Deck layout C28 CE (part2)



- | | |
|---|--|
| 1. Bracket folding upper strut
Pad bolt S/S | 6. Eye strap RF134 |
| 2. Trim edging 1/4" white pebble | 7. U-bolt (inside anchor well) |
| 3. Wing net rope retainer white | 8. Bow roller w/chain plate
Sheave bow roller |
| 4. Beam retaining plate cabin
Chain (pin retaining)
Chain ends white eye
Split rings
Pin rigging
Beam retaining bracket
Rod polyurethane cast | 9. Block stand-up
Rope 6mm black |
| 5. Bow toe rail | 10. Mast base |
| | 11. Window side large |
| | 12. Hinge deck 90°
Pin detent 1/4"x1-1/2" |
| | 13. Rope 8mm |
| | 14. Pads outboard bracket |

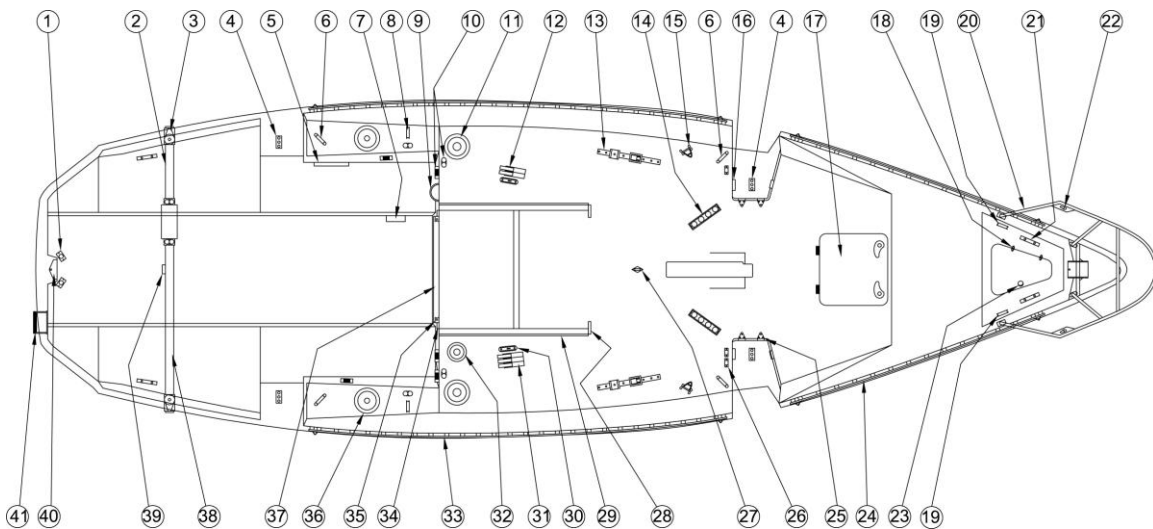


Float layout C28 CE



- | | |
|-------------------------------------|----------------------------|
| 1. Vent midget | 6. Rail 24 bow net 38" |
| 2. Eye strap | 7. Hatch 6" Viking/ Becson |
| 3. Rail 28 wing net | 8. Eye saddle RF134 |
| 4. Chain plate
Cover chain plate | 9. Eye strap RF528 |
| 5. Hatch 30 low profile | 10. Non-skid |

Deck layout C31 RS (part1)



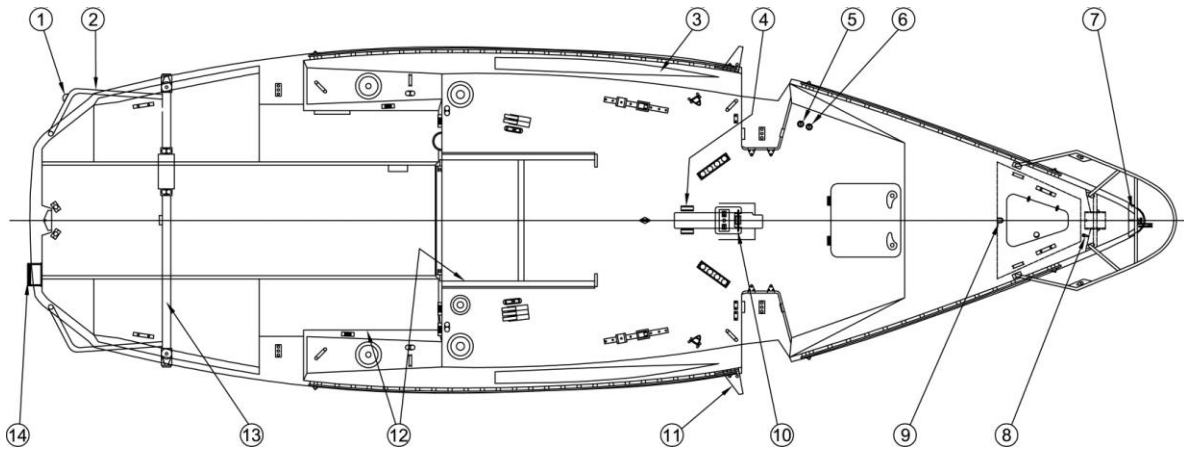
- | | |
|--|--|
| 1. Collar aft mast support
Pipe PVC 1-1/4" aft mast
Cap PVC aft mast support tubes | 21. Hinge anchor locker S/S |
| 2. Traveler track | 22. Block stand-up |
| 3. Control traveler Pr | 23. Pulpit
Plate backup pulpit |
| 4. Spacer beam bolt pad
Beam bolt pad | 24. Rail bow net 88"
Spacer cabin wing net rail
Eye saddle |
| 5. Hatch 6" white | 25. Hinge module cover |
| 6. Lifting eye (U-bolt)
Plate backup lifting eye | 26. Fairlead nylon
Plate backup fairlead |
| 7. Winch handle pocket Seadog | 27. U-bolt w/base pad
Plate backup U-bolt |
| 8. Block stand-up | |



9. Compass Danforth
10. Camcleat plastic
 - Plate backup camcleat
 - Wedge camcleat large
11. Winch B40.2 STA self tailing
 - Plate backup winch
12. Rope clutch XC double spinlock
 - Plate backup spinlock clutch
13. T-track alum. 25mm
 - Plate sheet track
 - Stop end t-track Harken
 - Car genoa alum.
 - Stop t-track Harken
14. Organizer quad Spinlock
 - Plate backup quad organizer
 - Pad deck organizer quad
15. Eye strap w/ferrule
 - Plate backup raising loop
 - Bushing nylon mast raising brackets
 - Mast raising wire anchor loop
 - Cotter ring
16. Support pad beam well flap
17. Hatch 60 low profile
 - Hatch trim 60 white
18. Cleat 8 chrome (bow and stern)
 - Plate backup cleat mooring
19. Light navigation port/stb white led
20. Latch flush pull black
28. Hatch slide end stop
29. Hatch slide companionway channel
 - Hatch slide alum angle
30. Camcleat plastic
 - Plate backup camcleat
31. Rope clutch XC triple
 - Plate backup spinlock clutch
32. Winch B32.2 self tailing
33. Rail wing net (hull side)
 - Spacer cabin wing net rail
 - Eye saddle
34. Hasp Perko
 - Packing block lock UHMW poly
35. Rail main hatch vertical side
 - Hatch board companionway upper
 - Hatch board companionway lower
36. Winch B40.2A two sped
 - Plate backup winch
37. Plate foot companionway threshold
 - Trim companionway hatch trim
 - HDPE
38. Traveler car
 - Block double control
39. Gudgeon aft mast support
40. Gudgeon transom
41. Bracket outboard

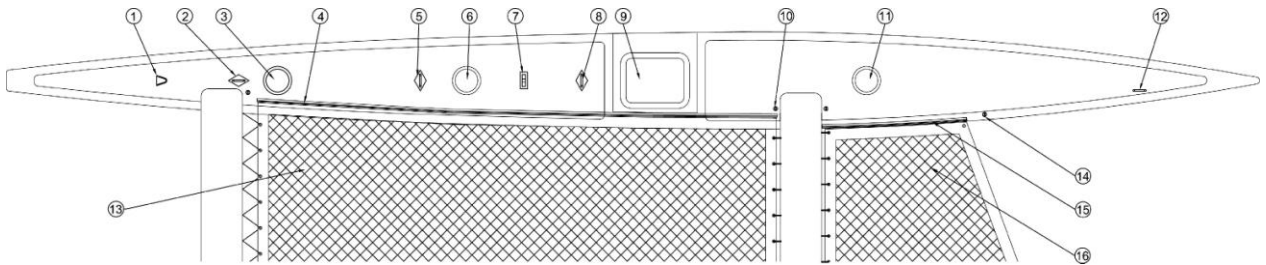


Deck layout C31 RS (part2)



- | | |
|--|-----------------------------------|
| 1. Light LED stern | 9. U-bolt |
| 2. Pushpit | 10. Mast base |
| 3. Window main cabin | 11. Bracket beam retaining right |
| 4. Hinge deck 90°
Pin detent 1/4"x 1-1/2" | Bracket beam retaining left |
| 5. Deck fill water Seadog | Bracket hull beam retaining right |
| 6. Deck fill waste Seadog | Bracket hull beam retaining left |
| 7. Bow roller Assembly
Sheave bow roller | Pad spacer beam retaining |
| 8. Block stand-up
Rope 6mm black | 12. Trim edging 1/2" white pebble |
| | 13. Traveler line |
| | 14. Pad outboard bracket HDPE |

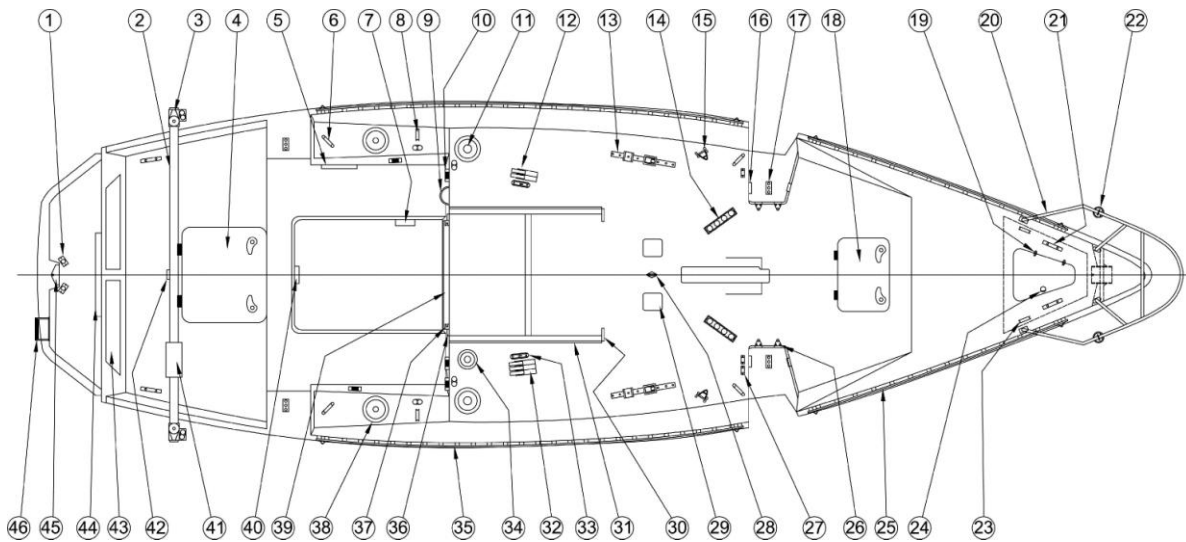
Float layout C31 RS



- | | |
|-------------------------------------|------------------|
| 1. Vent midget | 8. U-bolt |
| 2. U-bolt | 9. Hatch |
| 3. Hatch 6" | 10. Eye-bolt |
| 4. Rail wing net | 11. Hatch 6" |
| 5. U-bolt | 12. U-bolt |
| 6. Hatch 6" | 13. Net wing |
| 7. Chain plate
Cover chain plate | 14. Eye strap |
| | 15. Rail bow net |
| | 16. Bow net |



Deck layout C31 CR/UC (part1)

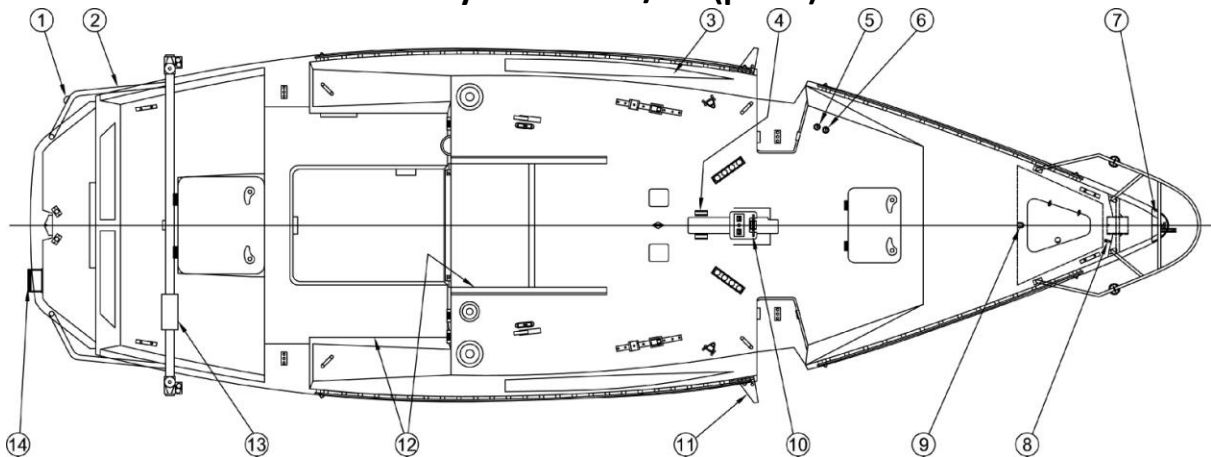


- | | |
|--|--|
| <p>1. Collar aft mast support
Pipe PVC 1-1/4" aft mast
Cap PVC aft mast support tubes</p> <p>2. Traveler track long version
Traveler horse long version
Cap end traveler track</p> <p>3. Control traveler Pr</p> <p>4. Hatch 60 low profile</p> <p>5. Hatch trim 60 white</p> <p>6. Lifting eye (U-bolt)
Plate backup lifting eye</p> <p>7. Winch handle pocket Seadog</p> <p>8. Block stand-up</p> <p>9. Compass Danforth</p> <p>10. Camcleat plastic
Plate backup camcleat
Wedge camcleat large</p> <p>11. Winch B40.2 self tailing
Plate backup winch</p> <p>12. Rope clutch XC double spinlock
Plate backup spinlock clutch</p> <p>13. T-track aluminum
Plate sheet track
Stop end t-track Harken
Car genoa lead aluminum
Stop t-track Harken</p> <p>14. Organizer Quad spinlock</p> | <p>22. Light navigation port and stb</p> <p>23. Block stand-up</p> <p>24. Latch flush pull black</p> <p>25. Rail bow net 88"
Spacer cabin wing net rail
Eye saddle</p> <p>26. Hinge module cover Fairlead nylon
Plate backup fairlead</p> <p>27. U-bolt w/base pad
Plate backup U-bolt</p> <p>28. Hatch deck
Trim ring hatch deck</p> <p>29. Hatch slide end stop</p> <p>30. Hatch slide companionway
Hatch slide alum angle</p> <p>31. Rope clutch XC triple
Plate backup spinlock clutch</p> <p>32. Camcleat plastic
Plate backup camcleat</p> <p>33. Winch B32.2 self tailing
Plate backup winch B32.2 self tailing</p> <p>34. Rail wing net (hull side)
Spacer cabin wing net rail
Eye saddle</p> <p>35. Hasp Perko
Backing block lock UHMW poly</p> |
|--|--|



- Plate backup quad organizer
- Pad deck organizer quad
- 15. Eye strap w/ferrule
- Plate backup raising loop
- Bushing nylon mast
- Mast raising wire anchor loop
- Cotter ring
- 16. Support pad beam well flap
- 17. Spacer beam bolt pad
- Beam bolt pad
- 18. Hatch 30 low profile float
- Hatch trim white
- 19. Hinge anchor locker S/S
- 20. Pulpit
- Plate backup pulpit
- 21. Cleat 8 chrome (bow and stern)
- Plate backup cleat mooring
- 36. Rail main hatch vertical side
- Hatch board companionway upper
- Hatch board companionway lower
- 37. Winch B40.2A two speed
- Plate backup winch
- 38. Plate foot companionway threshold
- Trim companionway hatch trim
- 39. Bracket table mounting plate
- 40. Traveler car
- Block double control
- 41. Gudgeon aft mast support
- 42. Window aft cabin
- 43. Hatch w/screen & trim
- 44. Gudgeon transom
- 45. Bracket outboard

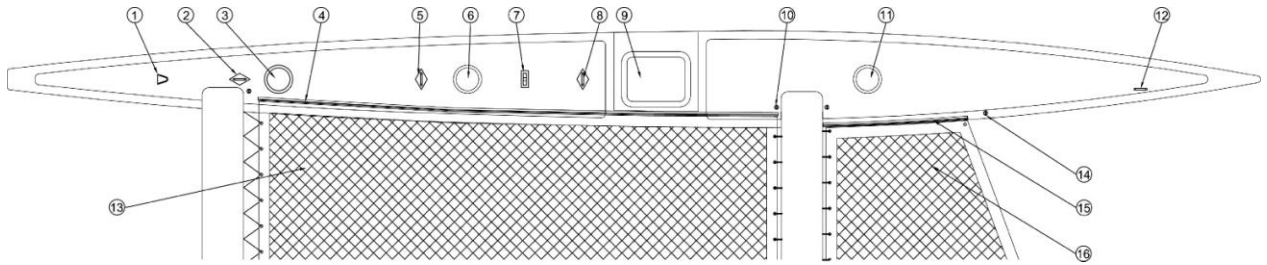
Deck layout C31 CR/UC (part2)



- 1. Light LED stern
- 2. Pushpit
- 3. Window main cabin
- 4. Hinge deck 90°
- Pin detent 1/4" x 1-1/2"
- 5. Deck fill water Seadog
- 6. Deck fill waste Seadog
- 7. Bow roller assembly
- Sheave bow roller
- 8. Block stand-up
- Rope 6mm black
- 9. U-bolt
- 10. Mast base
- 11. Bracket beam retaining right
- Bracket beam retaining left
- Bracket hull beam retaining right
- Bracket hull beam retaining left
- Pad spacer beam retaining
- 12. Trim edging 1/4" white pebble
- 13. Traveler line
- 14. Pad outboard bracket HDPE

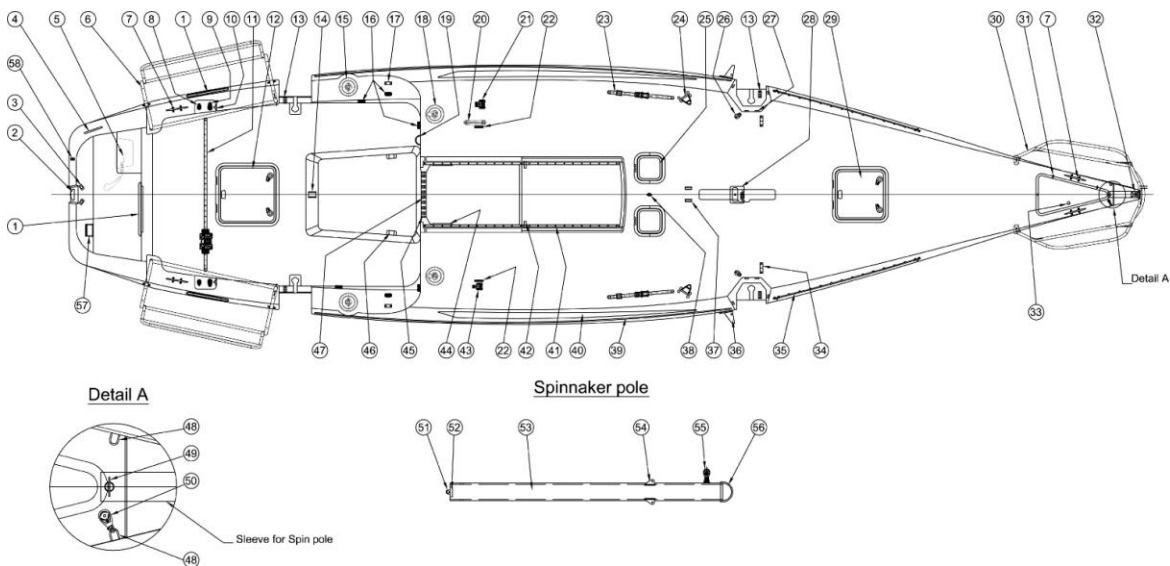


Float layout C31 CR/UC



- | | |
|-------------------------------------|------------------|
| 1. Vent midget | 8. U-bolt |
| 2. U-bolt | 9. Hatch |
| 3. Hatch 6" | 10. Eye-bolt |
| 4. Rail wing net | 11. Hatch 6" |
| 5. U-bolt | 12. U-bolt |
| 6. Hatch 6" | 13. Net wing |
| 7. Chain plate
Cover chain plate | 14. Eye strap |
| | 15. Rail bow net |
| | 16. Bow net |

Deck layout Cruze 970



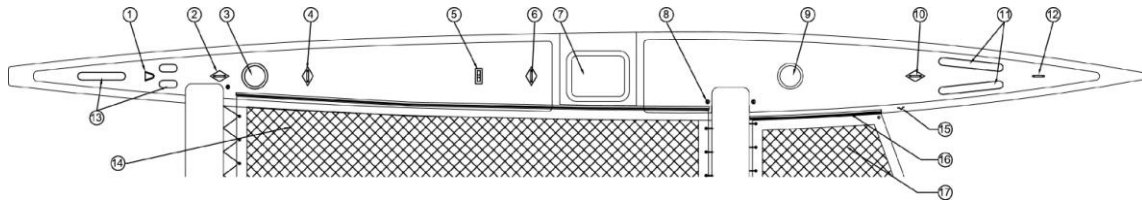
- | | |
|--|-----------------------------------|
| 1. Port light Atlantic sw30 | 29. Hatch 40 w/stay arm |
| 2. Rudder gudgeon | 30. Pulpit |
| 3. Collar aft mast support
Pipe PVC 1-1/4" aft mast support
socket
Cap PVC aft mast support tubes | 31. Hinge anchor locker |
| | 32. Fitting forestay |
| | 33. Latch flush pull black |
| | 34. Fail lead 2 holes alum. black |



4. Hand rail transom
5. Transom shower
6. Pushpit
7. Cleat 8" chrome
8. Control traveler
9. Block 40mm
10. Eyes trap RF1055
11. Track mainsheet traveler
 - Track end
 - Main sheet traveler car stopper
 - Traveler car
12. Hatch alum. medium
 - Hatch trim kit for 70
 - Stay telescopic retrofit kit
13. Spacer beam bolt pad
 - Beam bolt pad
14. Bracket table mounting plate
15. Winch B40.2A two speed
16. Camcleat plastic
 - Wedge camcleat large
17. Fairlead nylon
18. Winch B40.2 STA self tailing
 - Plate backup winch
19. Compass Danforth
20. Rope clutch single XC
21. Spinlock jammer SUA/3
22. Camcleat
23. T-track Alum.
 - Car genoa alum.
 - Stop end t-track Harken
24. Eye strap w/ferrule
 - Bushing nylon mast raising brackets
 - Mast raising wire anchor loop
 - Cotter ring
25. Hatch deck
 - Trim ring hatch deck
26. Cheek block 2.25 H013
27. Hinge module cover
28. Mast step pivot ball
 - Cotter pin 1/8"
 - Mast base plate
 - Cheek block medium
35. Rail bow net 88"
 - Spacer cabin wing net rail
 - Eye saddle
36. Bracket beam retaining right
 - Bracket beam retaining left
 - Bracket hull beam retaining right
 - Bracket hull beam retaining left
 - Pad spacer beam retaining
37. Hinge deck 90°
 - Pin detent 1/4" x 1-1/2"
38. U-bolt w/base pad
39. Rail wing net (hull side)
 - Spacer cabin wing net rail
 - Eye saddle
40. Side window
41. Rails companion way alum.
42. Bracket mounting companion way angle
43. Spinlock jammer SUA/2
44. Handle for corner
45. Washboard aft support rail
 - Washboard fwd support rail
46. Winch handle pocket
47. Plate companion foot
48. Bolt RF544
49. Spin. pole retaining pin 3/4" x 6"
50. Single block
51. Fairlead nylon
52. Bracket spin. pole launch HDP
53. Pole spin. carbon
54. Spin. pole end fitting
55. Spring stand-up bow spin pole
 - Block RF868 spin pole
 - Eye strap RF 868 spin pole
 - Eye strap RF528
56. Cover spin. pole sleeve
57. Bracket outboard
58. Ladder boarding 3 step
59. Support pad beam well flap
60. Vent gas tank chrome
61. Deck fill water Seadog
62. Deck fill waste

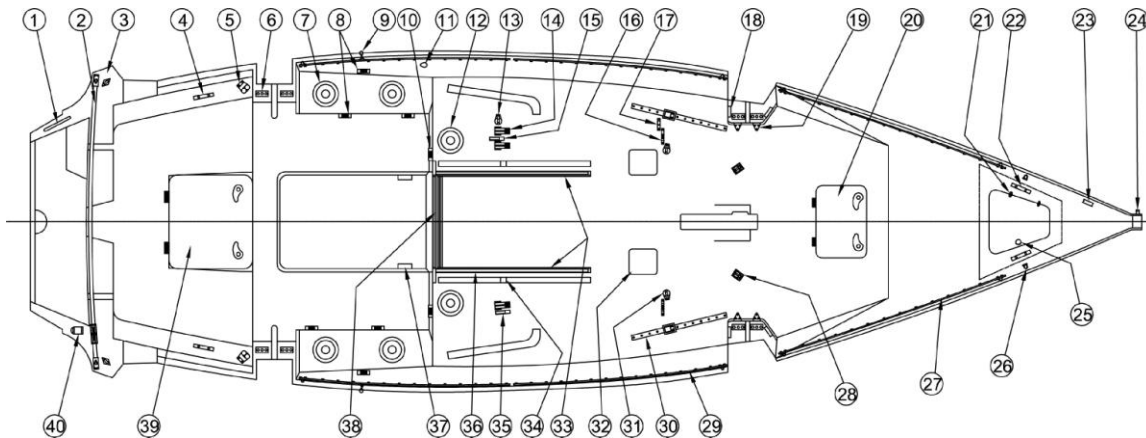


Float layout Cruze 970



- | | |
|----------------------------------|--------------------|
| 1. Vent midget | 9. Hatch 6" |
| 2. U-bolt | 10. U-bolt |
| 3. Hatch 6" | 11. Non-skid strip |
| 4. U-bolt | 12. U-bolt |
| 5. Cover chain plate/chain plate | 13. Non-skid strip |
| 6. U-bolt | 14. Wing net |
| 7. Hatch | 15. Eye strap |
| 8. Eye-bolt | 16. Rail bow net |
| | 17. Net bow |

Deck layout C37 CR/RS (part1)

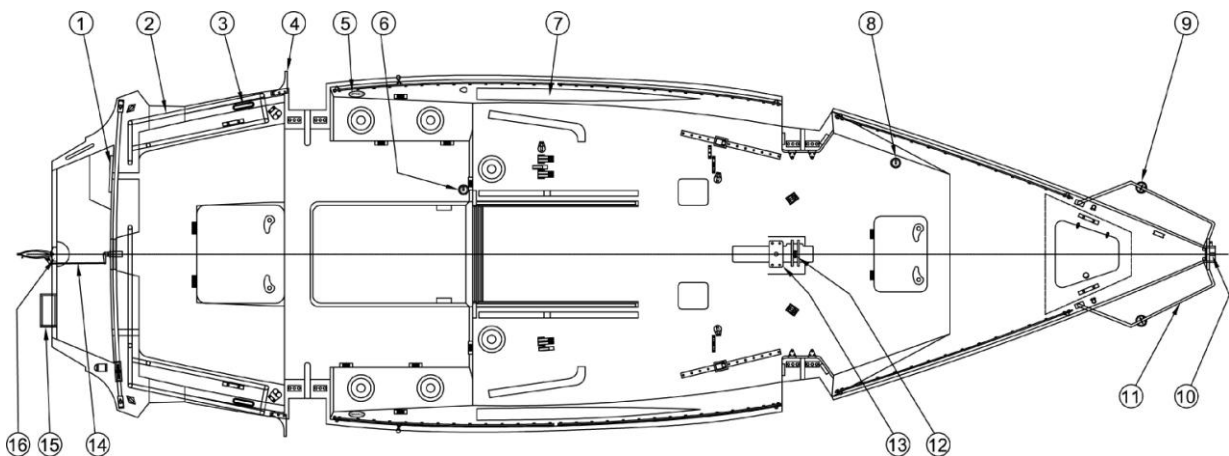


- | | |
|-----------------------------|--|
| 1. Rail hand transom | 23. Block stand-up barber hauler |
| 2. Traveler track | 24. Fairlead 2 hole alum. black 2 pieces |
| Control traveler port/stb | 25. Latch flush mount pull white |
| Traveler car | 26. U-bolt RF544 |
| Block double control | 27. Rail bow net 88" |
| Coupler traveler cars | Spacer cabin wing net rail |
| 3. Pad diamond large | Eye strap |
| 4. Cleat 8" chrome | 28. Backing block for cheek block |
| 5. Cleat cam w/ swivel base | Block cheek |
| 6. Pad beam bolt | Eye strap |
| 7. Winch B42.2A | Nut barrel flange & knurled #10 |



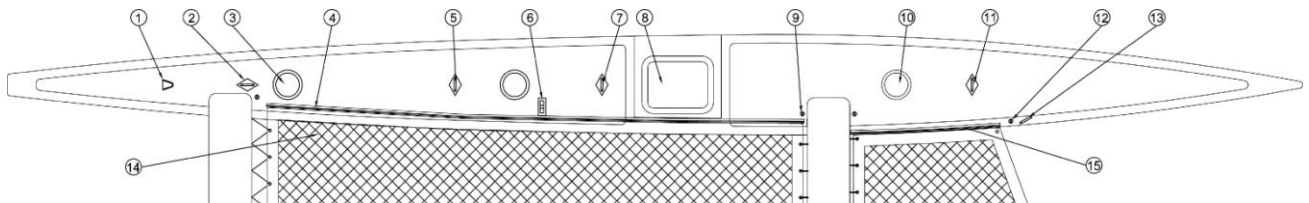
- Plate backup 26 3/8"x6"x6"
- 8. Camcleat plastic
 - Wedge camcleat large
 - Plate backup camcleat
- 9. Block stand-up barber hauler
- 10. Camcleat plastic
 - Wedge camcleat large
 - Nut barrel flange and knurled #10
- 11. Vent gas tank chrome zinc
- 12. Winch B40.2 STA self tailing
 - Nut barrel flange & knurled 1/4"
- 13. Block cheek
 - Nut barrel flange & knurled #10
- 14. Rope clutch single
 - Nut barrel flange & knurled 1/4"
- 15. Rope clutch single Spinlock XAS/1
 - Nut barrel flange & knurled #10
- 16. Fairlead nylon
 - Nut barrel flange & knurled #10
- 17. Fairlead 2 hole alum. black 2 pieces
 - Nut barrel flange & knurled #10
- 18. Support pad beam well flap
- 19. Hinge module cover
- 20. Hatch 60 low profile
- 21. Hinge anchor locker
- 22. Cleat 8" chrome
- 29. Rail hull wing net 79" & 85"
 - Spacer cabin wing net rail
 - Eye strap
- 30. T-track alum. w/pin stop
 - Stop end t-track
 - Nut barrel flange & knurled 5/16"
- 31. Block cheek
 - Nut barrel flange & knurled #10
 - Eye strap RF1055
- 32. Hatch deck 11x11
- 33. Handle main Hatch
- 34. Bracket mounting companionway
 - angle
- 35. Rope clutch single XC Spinlock XCS0608/1W
- 36. Rail companionway alum.
- 37. Winch handle pocket Seadog
- 38. HDPE hatch guide wide vertical
 - Plate companionway foot
 - Hatch companionway smoked
 - Hasp Perko
 - Packing block lock UHMW poly
- 39. Hatch alum. medium
- 40. Light LED stern
 - Bracket stern light

Deck layout C37 CR/RS (part2)



- | | |
|--|---|
| <ol style="list-style-type: none"> 1. Hatch Sz2 opening port with 2. Pushpit port
Pushpit starboard 3. Hatch Sz2 opening port with screen & trim 4. Bracket beam lock (hull) r. hand
Bracket beam lock (hull) l. hand
Bracket beam lock (beam) r. hand
Bracket beam lock (beam) l. hand
Pin beam lock
Chain (pin retaining)
Chain ends with eye
Split rings
Rod polyurethane cast 5. Graphic Corsair "carbon" style raised 6. Deck fill water Seadog | <ol style="list-style-type: none"> 7. Window main cabin P & S (4pcs)
Trim ring saloon window fwd stb
Trim ring saloon window mid stb
Trim ring saloon window aft stb
Trim ring saloon window fwd port
Trim ring saloon window mid port
Trim ring saloon window aft port 8. Deck fill waste Seadog 9. Light navigation port and stb 10. Plastic pipe 11. Pulpit 12. Sheave 1/2" x 1-1/2"
Spacer daggerboard sheave
Organizer bar D/B line (fwd)
Organizer bar D/B line (aft)
Pin D/B organizer 13. Mast base 14. Steering system 15. Outboard bracket 16. Rudder gudgeon
Rudder case pin |
|--|---|

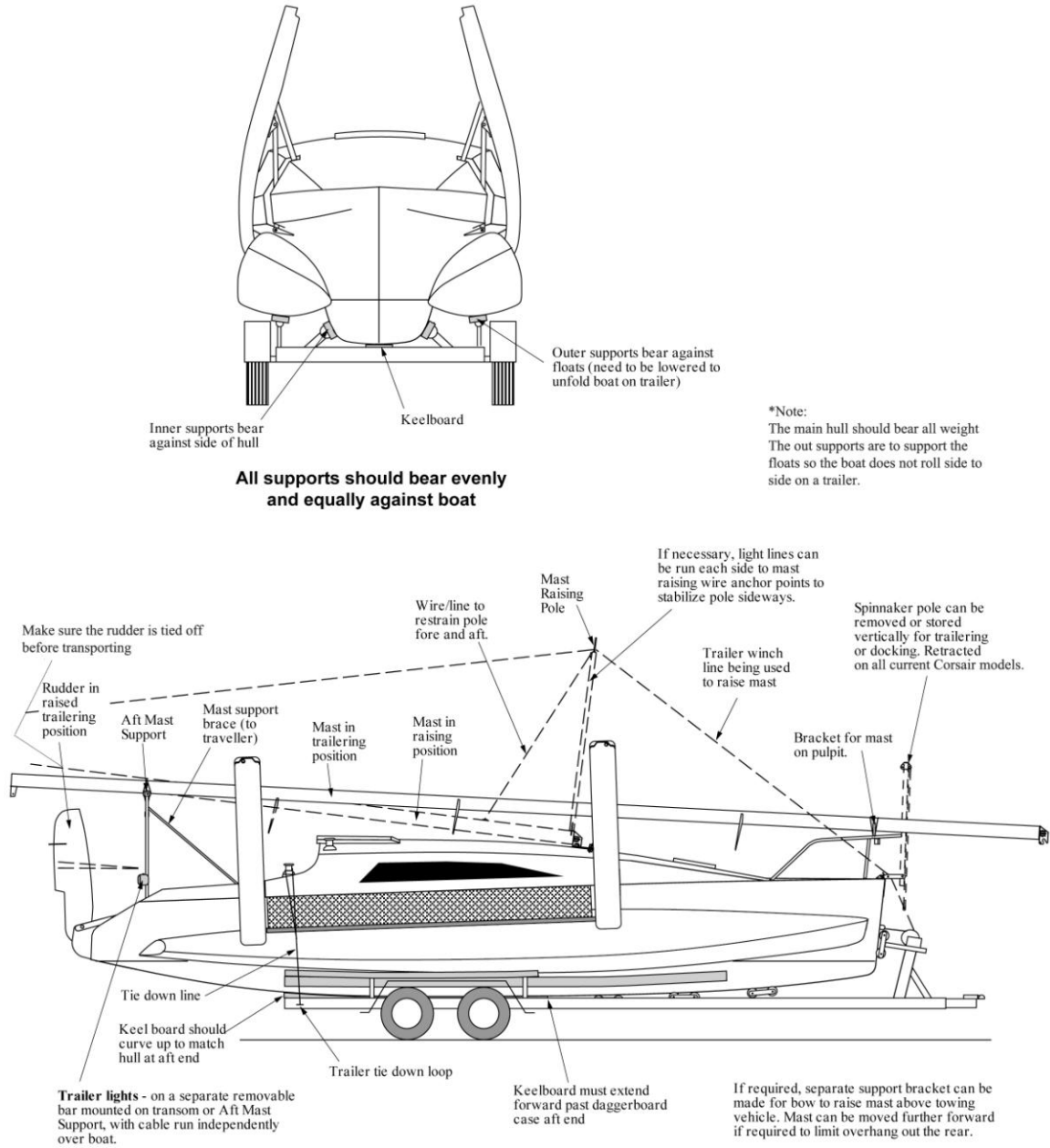
Float layout C37 CR/RS



- | | |
|--|--|
| <ol style="list-style-type: none"> 1. Vent midget 2. U-bolt 3. Hatch 6" 4. Rail wing net 5. U-bolt 6. Cover chain plate 7. Chain plate 8. U-bolt 9. Hatch 10. Eye-bolt | <ol style="list-style-type: none"> 11. Hatch 6" 12. U-bolt 13. Eye-bolt 14. Hatch 6" 15. U-bolt 16. Eye-bolt 17. U-bolt 18. Net wing 19. Rail bow net |
|--|--|



TYPICAL TRAILER SETUP



Always check that trailering setup complies with local regulations



MAINTENANCE & SAFETY CHECKLIST

For continued safe and enjoyable operation, it is essential that regular maintenance be carried out. Trimarans are actually more like aircraft in many aspects, and it is important to conduct regular maintenance and safety checks to locate any potential problems before they become serious.

The following Maintenance safety check sheet has thus been developed and it is strongly recommended that a full check be undertaken every 6 months.

In general, after every sail, the complete boat and trailer should always be thoroughly washed down with fresh water. This is very important to keep that new look, and to prevent rust taking hold on the trailer. Particularly wash out the brakes and suspension area of the trailer. Regularly check the bilges of the center hull and the floats for any water. Sails should always be rolled up or folded (the same way as you receive them) - dried first if wet. If possible, keep your boat under cover, as this will ensure the finish keeps its gloss for the life of the boat. Even the best gelcoat finish will eventually begin to fade. Polishing your Corsair Trimaran once a year will maintain the gelcoat shine and strengthen the gelcoat surface.

MAST

- Masthead sheaves should turn freely, and clevis or pivot pins should not be worn or show signs of distortion.
- Spinnaker halyard and Jib halyard sheaves should turn freely, and clevis or pivot pins should not be worn or show signs of distortion.
- Forestay tab/nose should be checked for any cracks or signs of distortion.
- All other stay attachments to mast should be checked for distortion or corrosion.
- Mast step should be checked for any distortion or cracks.
- Mast step sheaves should turn freely, and clevis or pivot pins should not be worn or show signs of distortion.
- Boom gooseneck pins should be checked for any signs of wear or distortion

RUNNING RIGGING

- All halyards should be checked for broken strands or wear, particularly where they enter the mast when sails are up, and where rope clutches engage. A sleeve over rope tail at rope clutch area can prolong life and give better clutch holding power.
- Spinnaker halyard should have any worn area at the top cut out and the halyard retied or spliced to the snap shackle.



STANDING RIGGING

- All stays should be checked for broken strands or corrosion, particularly at end swages. If any stays are badly kinked, replacement should be considered. Stainless steel is prone to fatigue, and in a trailer boat it is not uncommon to get kinks in the stays while rigging or de-rigging. This further fatigues the wire. Check all turnbuckles for corrosion, and that all locking rings or pins are in place, and work correctly.

HULLS

- Check bow U-bolt and spinnaker eye for any movement.
- Check all chain plates for any signs of movement.
- Check deck to hull joins where visible for any de-lamination or cracking in join.
- Check wing nets, particularly eyelets for wear.
Wing nets should be replaced every three or four years. The taped edges are usually the first to fail, and sometimes just redoing these will extend the net life. If replacing nets, avoid any close weave fabrics as these can trap wind underneath, creating unwanted lift. Bow nets, in particular, should always be of a very open weave.
- Check rudder case for any sign of stress cracks, or corrosion, particularly at lower end. Rudder blade should swing up and down easily in case, but without any slop.
- Check rudder blade or shaft around bottom edge of rudder case for any stress cracks. Replace if necessary.
- Check leading and trailing edges of rudder blade for any de-lamination or splitting.
- Check rudder control lines for wear, and replace pull down line every year.
- Check daggerboard around bottom edge of hull for any stress cracks.
- Check leading and trailing edges of daggerboard for any de-lamination.
- Check control lines for wear and replace if necessary.
- Check traveler welds for any signs of cracking.
- Check hull area around lower folding strut brackets for any signs of damage/cracking.
- On early model F-31s check around main hull/deck join flange just under forward beams for any cracking in join.
- Check all deck fitting for any cracks or wear.

BEAMS

- Check all beam join flanges for any sign of de-lamination or cracking. It is not uncommon to find hairline cracks in the gelcoat surface in high load areas, but continue to monitor.



WARNING

(Any de-lamination or cracking in beam flanges should be regarded as serious and must be repaired without delay. Otherwise a small crack can grow until it can cause failure.)

- Check top non-skidded surface of beams for any movement or 'softness' under foot, or if 'oil canning' or ripping of the top beam surface can be observed while sailing. Must be inspected and repaired immediately as this could be a serious fault.
- Check that plastic compression pads remain on inner ends of beams and that they bear against deck/hull when floats are extended. Also check around this area for any signs of damage or cracking, on both deck/hull and beam.
- Lightly grease beam bolt threads with a Teflon grease.

FOLDING SYSTEM

- Check all pivot pins for corrosion, and that circlips or nuts are properly fitted.
- Check hull and beam brackets for any looseness or cracking.
- Check all folding struts have plastic bushes at pivot points, and that there are no major cracks in welds (these welds are not structurally important, and small cracks are not significant - these resulting from flex during folding).
- Check locking pins (for when floats are retracted) and brackets for excessive wear. Rubber stop should be replaced if worn excessively.
- Check that floats do not bear directly on to the main hull. There should be a bumper on the hull side, or a minimum 1/8" gap.

TRAILER

- Check trailer winch line for wear.

CAUTION

(When raising the mast by using the winch there is considerable tension on the jib halyard and winch line. Be doubly careful when checking these for wear as failure of either one could result in severe injury.)

- Check all trailer supports bear evenly against hulls.
- Trailer should be regularly cleaned and oiled.
- Check wheel bearing for wear.
- Check operation of brakes.

Any defects or problems found during this check should be remedied immediately. This checklist is intended as a guide only and may not cover every potential problem. Owner should always check every aspect of boat on a regular basis.



CORSAIR DEALERS WORLDWIDE

USA

Atlantic Mid East (Southern section):
(Maryland, Delaware, Washington DC, Virginia)

Atlantic South East:
(Florida (East Apalachee Bay), East Georgia)

Carolinas:
(North Carolina, South Carolina)
Steve Marsh
Tanya Franchi
Finish Line Of The Treasure Coast, Inc.
3707 SE Dixie Highway, Stuart,
FL 34997, USA
crew@finishlineotc.com

Gulf Coast:
(Florida Panhandle (West Apalachee Bay) West Georgia (incl. Atlanta), Alabama, Mississippi, Louisiana, Tennessee)
Donald Wigston
Windcraft Multihulls
120 Point Comfort rd, Mary Esther,
FL 32569, USA
info@windcraft.net
phone: 404 307 9121
toll free 877 358 9979

Pacific South West:
(Southern California incl. San Diego & Los Angeles, Arizona, Southern Nevada)
Kurt Jerman
Monte Cottrell
West Coast Multihulls
2330 Shelter Island Dr
Suite 203 San Diego
CA 92106, USA
kurt@westcoastmultihulls.com
monte@westcoastmultihulls.com
phone: 619 571 3513

Atlantic North East:
(New York & North to Canadian border (new England))

Atlantic Mid East (Northern section):
(Pennsylvania, New Jersey)
Bob Gleason
The Multihull Source inc.
3 narrows road p.o. box 95, Wareham,
MA 02571, USA
sailfast@themultihullsource.com

Pacific Mid West:
(Northern California incl. San Francisco, Northern Nevada)
Gary Helms
Adam Helms
Helms Yacht Sales
314 Tideway, Alameda, CA 94501,
San Francisco, USA
garyhelms@gmail.com
adamleehelms@gmail.com

Texas:
(Texas, Oklahoma)
Richard Clary
La Vida Starships
1792 North Stemmons Freeway, Lewisville,
TX 75067, USA
lvstx@verizon.net



EUROPE

Finland:

Matti Helenius
Sailman Northern Lights
Paakkistentie 5,
21290 Rusko, Finland
matti.helenius@northernyachts.fi

France South:

Christian Malardeau
Plaisance Nautic
Rue des Charmes, Marcilly en Villette,
F-45240, France
c.malardeau@corsairmarine.fr

Germany South:

(Southern Germany; Austria; Switzerland)
Cornelia Klapprott
Werner Stolz
Corsair Deutschland
Wettersteinstrasse 16, Taufkirchen,
D82024, Germany
cornelia.klapprott@t-online.de
aws-werner.stolz@t-online.de

Italy:

Vanni Gori
Multi SRL
Via Mazetta 2, Firenze,
50125, Italy
info@multiscafi.com

Spain:

Sten Sorensen
Calle Castella 12 - Urb Coveta Fuma,
03560 El Campello, Spain
ss@power-board.info

France North:

Antoine Jouselin
Plaisance Nautic
4 ZA du Rédo,
56640 Arzon, France
antoine@plaisancenauticservices.fr

Germany Central:

(Central & Northern Germany)
Christoph Wentland
Yacht-Netze
Bahnhofstr. 3, Gronau (Leine),
31028, Germany
Info@Yacht-Netze.de

Holland:

(The Netherlands, Belgium, Luxembourg)
Chris Minnee
Jan De Boer Catamarans
J. Van Der Perkstraat 4, 2223 BT,
Katwijk, Holland
info@jandeboercatamarans.nl

Russia:

Eugene Burusov
Chernomor company
burus@linorusso.ru

Sweden:

Ulrich Lindberg
Corsair Marin AB
Odengatan 31 c,
SE 11351 Stockholm, Sweden
ulrich@trimaran.se



UK:

Mark Jarvis
Ryan Vick
Multihull World Brokerage Network
Thornham Marina, Emsworth, Hants,
PO10 8DD, UK
multihullworld@hotmail.co.uk

ASIA

Australia (NSW,VIC):

*(North South Wales, Victoria, Tasmania,
South Australia)*
David Renouf
Linda Renouf
Just Multihulls
15 Edgecliff Blvd, Collaroy, NSW,
2097, Australia
dprenouf@aol.com
ljrenouf@aol.com

Australia (QLD):

(Queensland)
Andrew Crawford
Multihull Central
andrew@seawindcats.com

China:

(Northern China incl. Shanghai)
Markus Winter
John Coffin
Elite Yachting China
No. 227 Jinshang Road, Jinze Town, Qingpu
District, 201718, Shanghai, China
markus@elite-yachting-china.com
john@elite-yachting-china.com

New Caledonia:

Gilles
La Landriais Nautique
4 Impasse Des Fous De Bassan,
17420 Saint-palais sur mer, France
lalandriaisnautique@wanadoo.fr

Singapore:

(Singapore, Malaysia)
Scott McCook
Alice Lim
Pro Sail Asia Pte Ltd 593 Halton Road,
Singapore 509692
prosail.scott@gmail.com
alice@prosail-asia.com

Thailand:

Robert Garner
Sail In Siam Co., Ltd.
107/37 Moo 1, Jomtien Yacht Club 3,
Tambon Na Jomtien, Sattahip, Chonburi,
Amphur, 20250, Thailand
bgarner@loxinfo.co.th

Vietnam:

Ruurd van Putten
Sailing Center Vietnam
7 Hien Luong, Phuoc Hoa,
Nha Trang City, Vietnam
ruurd@sailing.vn



SOUTH AMERICA

Chile:

Patricia Letellier
Pro-Nautica Ltd.
AV. 8506 Las Condes,
Santiago, Chile
pletelier@pro-nautica.cl

Columbia:

Hugo Berrio Jimenez
Oficina Cra 100 # 5-169 309-B, Cali,
Colombia, South America
hugoberrio7@gmail.com

OTHER

French territories:

(New Caledonia, Tahiti, Gaudeloupe)
Gilles
La landriais
lalandriaisnautique@wanadoo.fr

Other countries:

Corsair Marine International
7 Go O Moi Street, Phu Thuan Ward,
District 7, HCMC, Vietnam
info@corsairmarine.com

