



PARTS CATALOG

Published

2008/7 (Jul.)

0CF10-G50602

P R E F A C E

1. This parts catalog has been issued Model 3GM30(-B,C,F) parts catalog (Pub. No.000Y00R3761) .

Parts catalog No.:000Y00F5062
Date of issue :Mar. , 1995

2. This Parts Catalog covers all parts of engines produced since **May**, 1984 .
3. Specification and Model code.

Model	Specification	Cooling System	Model Code
3GM30	Marine main engine (for export)	Ser water cooling	128374(S,N,G)
3GM30-B	Marine main engine (domestic use)		128374(A,B,C)
3GM30C	For sail drive		128374 E
3GM30F	Marine main engine (for export)	Fresh water r cooling	128391(S,N,G)

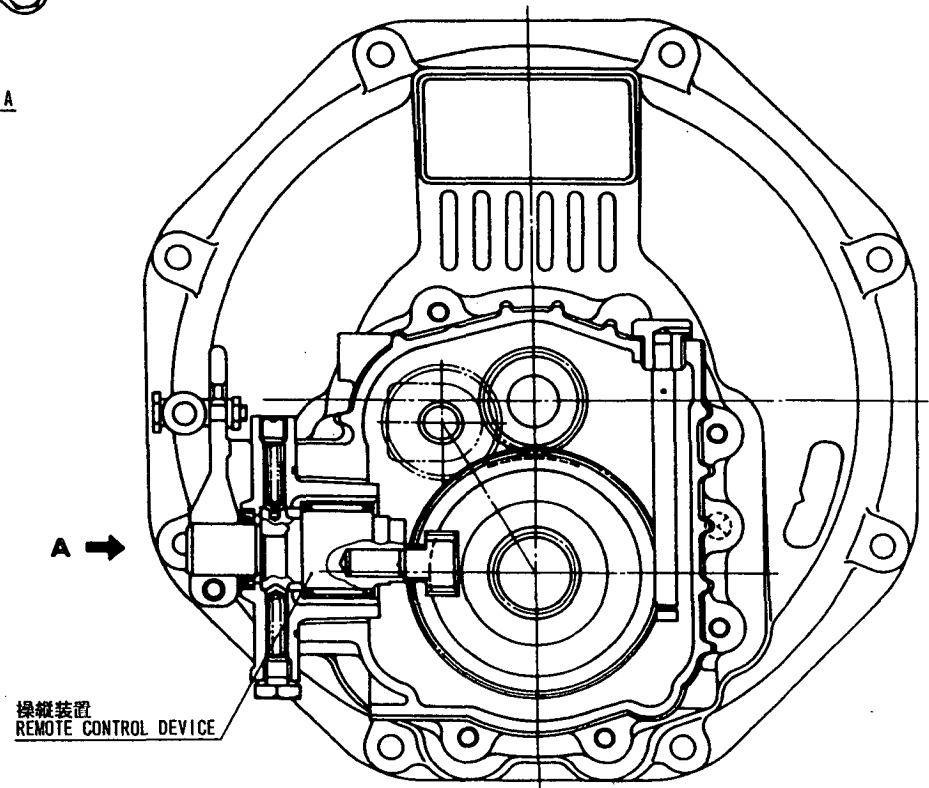
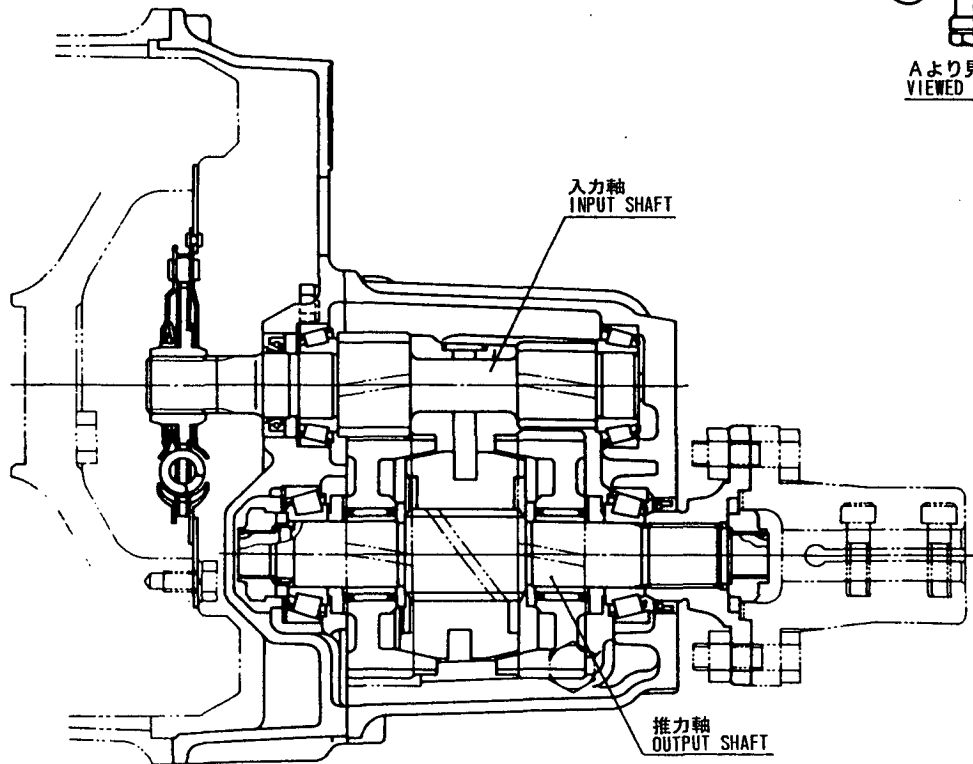
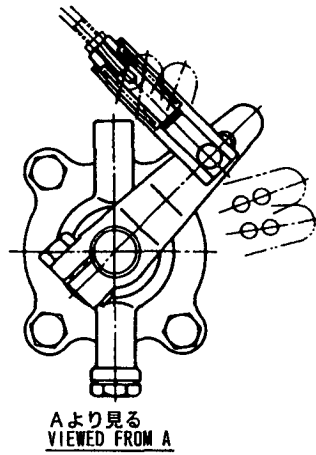
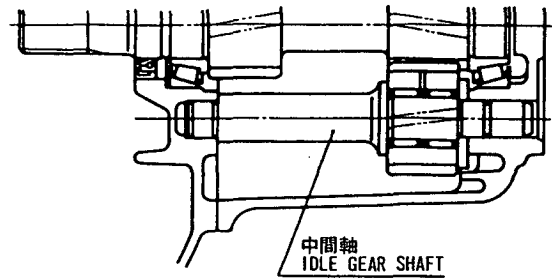
4. Parts of sail drive are not listed in this Parts Catalog. regarding these Parts, Please refer to the separate-volume "SD20/SD30 Sail drive Parts Catalog" (Pub.No.000YEO1291)

5. Engine painting colorUrethane metallic echol silver

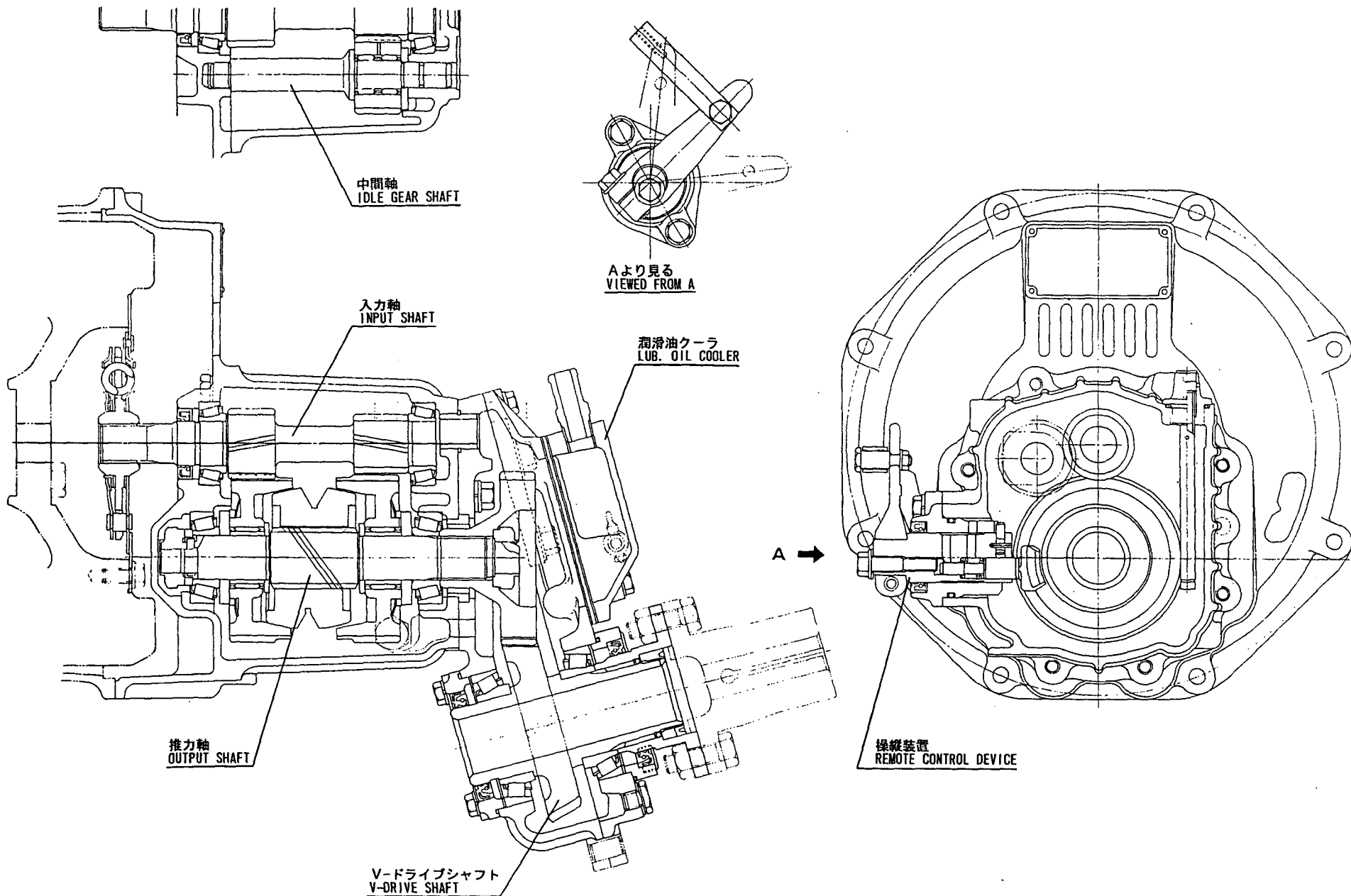
Replacement parts painted in metallic echol silver are as follows.

<u>Parts No.</u>	<u>Description</u>
977620-10070	1 ℓ (can)
977620-40070	4 ℓ (can)
977620-30071	Spray, one

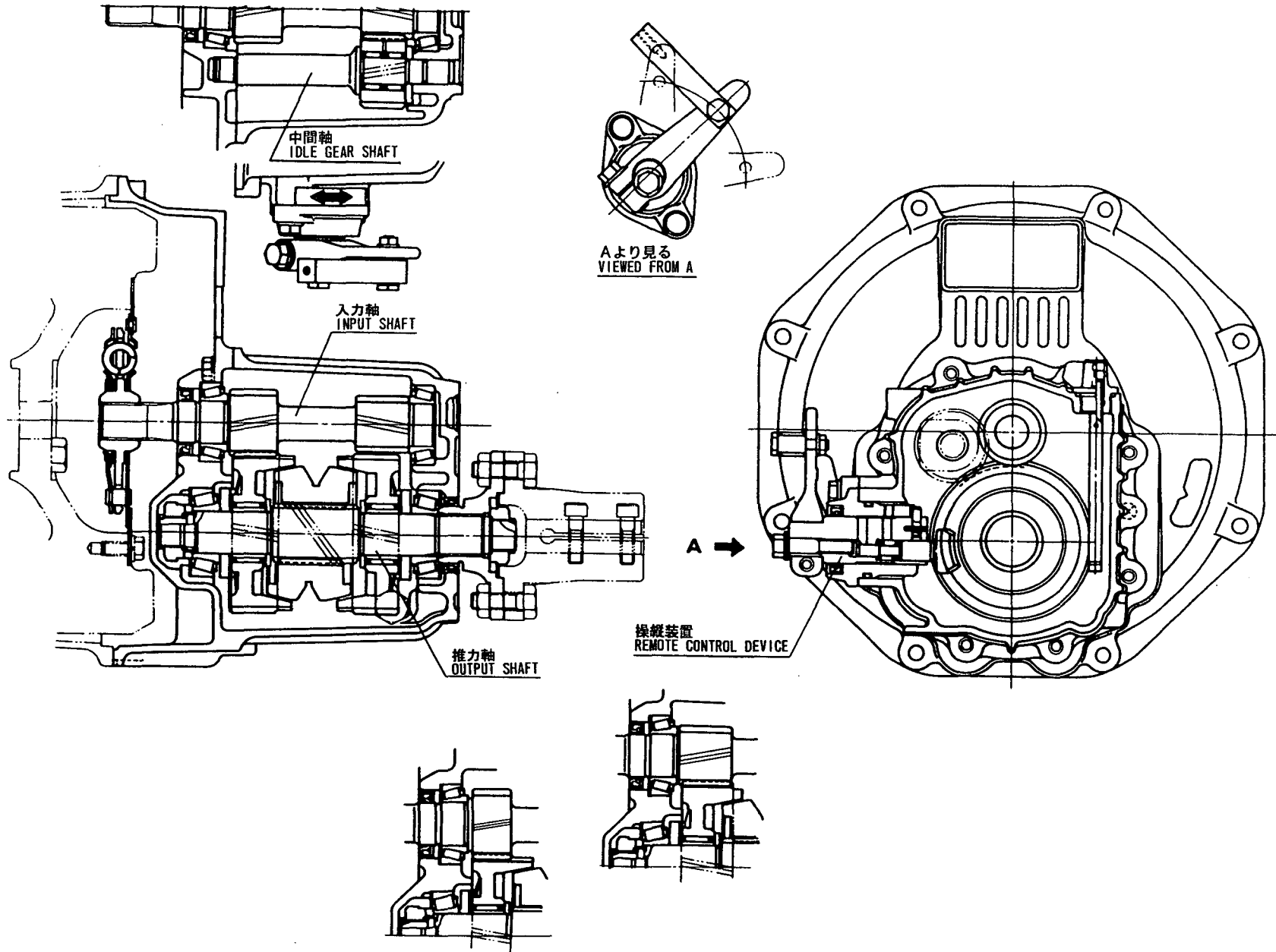
KM3-A 断面図
KM3-A SECTIONAL VIEW



KM3V 断面図
KM3V SECTIONAL VIEW



KM3 P 断面図
KM3P SECTIONAL VIEW



CONTENTS

MODEL : 3GM30 SERIES
PC NO : 0CF10-G50602

Fig.No.	GROUP NAME
3GM30	
1.	CYLINDER BLOCK
2.	CYLINDER BLOCK
3.	GEAR HOUSING
4.	GEAR HOUSING
5.	LUB. OIL SUMP
6.	FLYWHEEL HOUSING
7.	FLYWHEEL HOUSING
8.	MAIN BEARING HOUSING
9.	BREATHER
10.	LABEL
11.	ENGINE LIFTER
12.	ENGINE LIFTER
13.	ENGINE BRACKET
14.	FLEXIBLE MOUNT
15.	ANTI-CORROSIVE ZINC
16.	CYLINDER HEAD
17.	CYLINDER HEAD
18.	BONNET
19.	AIR INTAKE SILENCER
20.	EXHAUST MANIFOLD
21.	MIXING ELBOW
22.	CAMSHAFT
23.	CAMSHAFT
24.	CRANKSHAFT & FLYWHEEL
25.	PISTON
26.	CONNECTING ROD
27.	LUB. OIL PUMP
28.	LUB. OIL DIPSTICK
29.	LUB. OIL STRAINER

Fig.No.	GROUP NAME
30.	L.O.PRESS.REGULATING VALVE
31.	LUB. OIL LINE
32.	COOLING SEA WATER PUMP
33.	COOLING SEA WATER PUMP
34.	COOLING FRESH WATER PUMP
35.	COOLING FRESH WATER COOLER
36.	SUBTANK
37.	KINGSTON COCK
38.	COOLING SEA WATER LINE
39.	COOLING FRESH WATER LINE
40.	THERMOSTAT
41.	THERMOSTAT
42.	COOLING SEA WATER LINE(OPTIONAL)
43.	FUEL INJECTION PUMP
44.	FUEL FEED PUMP
45.	FUEL INJECTION VALVE
46.	FUEL STRAINER
47.	FUEL INJECTION LINE
48.	FUEL INJECTION LINE
49.	FUEL LINE
50.	FUEL LINE(3GM30F/FVE)
51.	FUEL RETURN LINE
52.	GOVERNOR DRIVING
53.	CONTROL DEVICE
54.	IDLE ADJUSTER
55.	FUEL CONTROL DEVICE
56.	ENGINE STOP DEVICE
57.	SPEED REMOTE CONTROL
58.	HAND START
59.	STARTING MOTOR

CONTENTS

MODEL : 3GM30 SERIES
PC NO : 0CF10-G50602

Fig.No. GROUP NAME

- 60. GENERATOR
- 61. GENERATOR
- 62. BATTERY SWITCH
- 63. WIRE HARNESS
- 64. CLUTCH
- 65. DUMPER DISK
- 66. TAPER COUPLING
- 67. CLUTCH REMOTE CONTROL
- 68. PANEL(A-TYPE)
- 69. TOOL
- 70. STARTING MOTOR COMPONENT PART
- 71. GENERATOR COMPONENT PART
- 72. MIXING ELBOW(OPTIONAL)
- 73. MIXING ELBOW(OPTIONAL)
- 74. LUB.OIL WASTE PUMP(OPTIONAL)
- 75. ELECTRIC BILGE PUMP(12V)(OP)
- 76. KINGSTON COCK(OPTIONAL)
- 77. FUEL TANK(OPTIONAL)
- 78. ENGINE STOP CABLE(OPTIONAL)
- 79. TAPER COUPLING(OPTIONAL)
- 80. COUPLING(OPTIONAL)
- 81. STRAIGHT COUPLING(OPTIONAL)
- 82. SLIT COUPLING(OPTIONAL)
- 83. SINGLE LEVER CONTROL(OPTIONAL)
- 84. PANEL(B-TYPE)(OPTIONAL)
- 85. PANEL(B-TYPE,NEW,OPTIONAL)
- 86. PANEL(A-TYPE)(OPTIONAL)
- 87. EXTENSION WIRE(OPTIONAL)
- 88. SPECIAL TOOL(OPTIONAL)
- 89. REPAIR PART(OPTIONAL)

Fig.No. GROUP NAME

- 90. REPAIR PART(OPTIONAL)
- 91. GASKET SET(OPTIONAL)

KM3A

- 92. CLUTCH HOUSING
- 93. INPUT SHAFT & SUPPORT SHAFT
- 94. OUTPUT SHAFT
- 95. REMOTE CONTROL DEVICE
- 96. TOOL(OPTIONAL)
- 97. CLUTCH HOUSING
- 98. INPUT SHAFT & SUPPORT SHAFT
- 99. OUTPUT SHAFT
- 100. REMOTE CONTROL DEVICE
- 101. TOOL(OPTIONAL)

KM3V

- 102. CLUTCH HOUSING
- 103. V-DRIVE HOUSING
- 104. INPUT SHAFT
- 105. SUPPORT SHAFT
- 106. OUTPUT SHAFT
- 107. V-DRIVE SHAFT
- 108. LUB. OIL COOLER
- 109. REMOTE CONTROL DEVICE
- 110. TOOL(OPTIONAL)

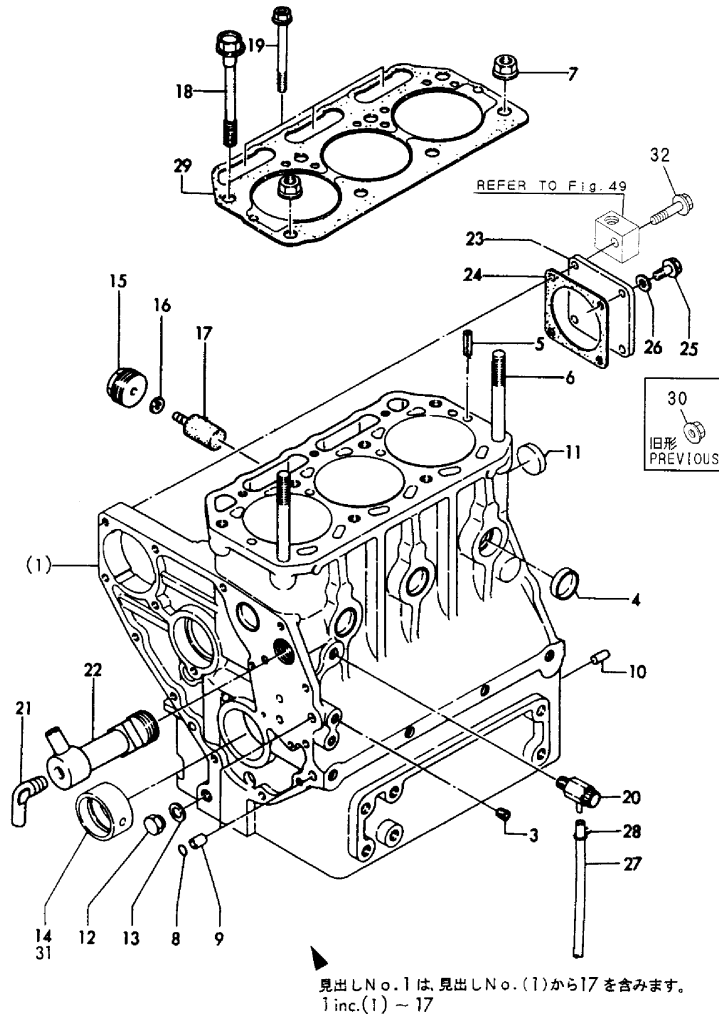
3GM30

- 111. SAFETY LABEL

Fig.1. CYLINDER BLOCK

P/C NEWS No:Y00F5062-2
PUBLISHED:2000/11

Fig. 1 シリンダブロック
CYLINDER BLOCK



OCF10-G50602 1. CYLINDER BLOCK

(A)=3GM30 (D)=3GM30C
(B)=3GM30VE (E)=3GM30F
(C)=3GM30B (F)=3GM30FVE

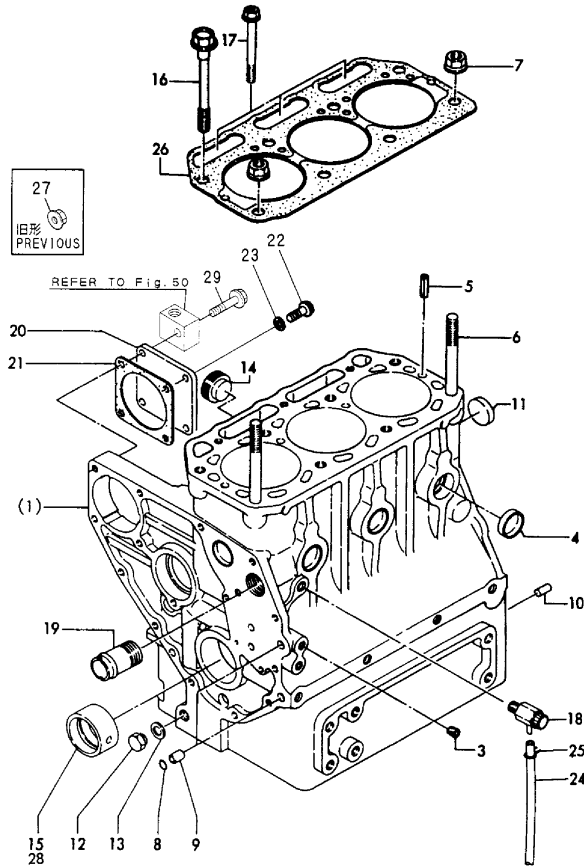
REF.	LEV.	PARTS NO.	DESCRIPTION	QTY						I	R
				(A)	(B)	(C)	(D)	(E)	(F)		
1	1	728374-01560	BLOCK ASSY, CYLINDER	1	1	1	1				
3	2	124060-01050	PLUG PT1/8	7	7	7	7				
4	2	105311-01090	PLUG 30 (SUS)	5	5	5	5				
5	2	22351-060012	SPRING PIN 6X12	2		2	2				Z
		(A=E XXX)	(C=E XXX)	(D=E XXX)							
6	2	121450-01210	STUD, CYL. HEAD	2	2	2	2				
7	2	121450-01220	NUT, CYL. HEAD	2	2	2	2				
8	2	24311-000100	O-RING 1A P-10.0	2	2	2	2				
9	2	124085-01900	GUIDE, O-RING	2	2	2	2				
10	2	22312-080160	PARALLEL PIN 8X 16	2	2	2	2				
I 10-1	2	129100-01580	PARALLEL PIN 8X16	2	2	2	2				R
		(A=*1997.07)	(B=*1997.07)	(C=*1997.07)	(D=*1997.07)						
11	2	27243-300000	PLUG 30	1		1	1				
11-1	2	121450-01990	PLUG 30	1	1	1	1				N
		(A=E XXX)	(C=E XXX)	(D=E XXX)							
12	2	121450-01960	PLUG PF1/4	1	1	1	1				
13	2	121450-01980	GASKET	1	1	1	1				
14	2	121450-02100	MAIN METAL	1	1	1	1				
15	2	128270-09300	PLUG NPTF 1"	2	2	2	2				
16	2	123210-09310	PACKING	2	2	2	2				
17	2	27210-200300	ZINC, ANTI-CORROSIVE	2	2	2	2				
18	1	121450-01203	BOLT, CYL. HEAD	6	6	6	6				
19	1	129350-01230	BOLT, CYL. HEAD	3	3	3	3				
20	1	128371-01800	COCK ASSY 1/4	1	1	1	1				
21	1	105583-49910	ELBOW (PT1/4)	1	1	1	1				
22	1	128270-01450	CONNECTOR, BY-PATH	1	1	1	1				
23	1	124240-01871	COVER, HO-P	1	1	1	1				
24	1	124240-01882	GASKET, HYD.OIL PUMP	1		1	1				
24-1	1	124240-01883	GASKET, (NON-ASB.)	1	1	1	1				N
		(A=E/#10103)	(C=E/#00309)	(D=E/#01060)							
25	1	26106-080142	BOLT M 8X 14 PLATED	2	2	2	2				
I 25-1	1	26106-080142	BOLT M 8X 14 PLATED	3	3	3	3				K
		(A=*1997.01)	(B=*1997.01)	(C=*1997.01)	(D=*1997.01)						
26	1	23414-080000	GASKET 8, ROUND	1	1	1	1				
27	1	23061-070200	PIPE 7X 200	1	1	1	1				
I 27-1	1	23061-070300	PIPE 7X 300	1	1	1	1				R
		(A=*1997.08)	(B=*1997.08)	(C=*1997.08)	(D=*1997.08)						
28	1	124460-77680	RETAINER	1	1	1	1				
29	1	128374-01330	GASKET, CYL. HEAD	1		1	1				
29-1	1	128374-01911	GASKET, CYL. HEAD	1	1	1	1				N
		(A=E/#04576)	(C=E/#00202)	(D=E/#00119)							
I 30	1	26366-080002	NUT M 8	2	2	2	2				Z
		(A=*1997.01)	(B=*1997.01)	(C=*1997.01)	(D=*1997.01)						
31	1	121450-02310	MAIN METAL 0.25SUS	1	1	1	1				1
I 32	1	26106-080322	BOLT M 8X 32 PLATED	1	1	1	1				W
		(A=*1997.01)	(B=*1997.01)	(C=*1997.01)	(D=*1997.01)						

Remarks
(1) UNDER-SIZED(U.S.=0.25)PART.

Fig.2. CYLINDER BLOCK

P/C NEWS No.:Y00F5062-2
PUBLISHED:2000/11

Fig.2 シリンダブロック (3GM30F/FVE)
CYLINDER BLOCK (3GM30F/FVE)



見出しNo. 1は、見出しNo. (1) から15を含みます。
Inc. (1) ~ 15

Remarks

(1)CYLINDER BLOCK ASSY OF MODEL
3GM30F IS SUPPLIED AS MODEL 3GM30.
ALTHOUGH COMPONENT PARTS ARE
PARTLYDIFFERET, BUT
INTERCHANGEABLE.
(2)UNDER-SIZED(U.S.=0.25)PART.

(A)=3GM30
(B)=3GM30VE
(C)=3GM30B

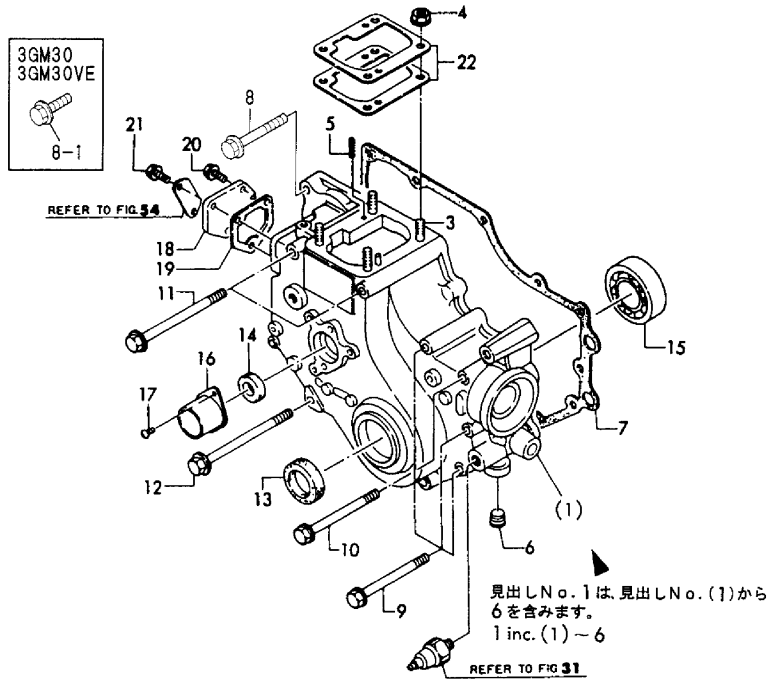
(D)=3GM30C
(E)=3GM30F
(F)=3GM30FVE

REF.	LEV.	PARTS NO.	DESCRIPTION	Q'TY						I	R
				(A)	(B)	(C)	(D)	(E)	(F)		
1	1	728397-01560	BLOCK ASSY, CYLINDER					1	1		1
3	2	124060-01050	PLUG PT1/8					7	7		
4	2	105311-01090	PLUG 30 (SUS)					5	5		
5	2	22351-060012	SPRING PIN 6X12					2			Z
							(E=EXXX)				
6	2	121450-01210	STUD, CYL. HEAD					2	2		
7	2	121450-01220	NUT, CYL. HEAD					2	2		
8	2	24311-000100	O-RING 1A P-10.0					2	2		
9	2	124085-01900	GUIDE, O-RING					2	2		
10	2	22312-080160	PARALLEL PIN 8X 16					2	2		
I 10-1	2	129100-01580	PARALLEL PIN 8X16					2	2		R
							(E=*1997.07)			(F=*1997.07)	
11	2	27243-300000	PLUG 30					1			
11-1	2	121450-01990	PLUG 30					1	1		N
							(E=EXXX)				
12	2	121450-01960	PLUG PF1/4					1	1		
13	2	121450-01980	GASKET					1	1		
14	2	171051-01921	PLUG					2	2		
15	2	121450-02100	MAIN METAL					1	1		
16	1	121450-01203	BOLT, CYL. HEAD					6	6		
17	1	129350-01230	BOLT, CYL. HEAD					3	3		
18	1	128371-01800	COCK ASSY 1/4					1	1		
19	1	124160-49480	JOINT, PIPE					1	1		
20	1	124240-01871	COVER, HO-P					1	1		
21	1	124240-01882	GASKET, HYD.OIL PUMP					1			
21-1	1	124240-01883	GASKET, (NON-ASB.)					1	1		R
							(E=E/#10104)				
22	1	26106-080142	BOLT M 8X 14 PLATED					2	2		
I 22-1	1	26106-080142	BOLT M 8X 14 PLATED					3	3		K
							(E=*1997.01)			(F=*1997.01)	
23	1	23414-080000	GASKET 8, ROUND					1	1		
24	1	23061-070200	PIPE 7X 200					1	1		
25	1	124460-77680	RETAINER					1	1		
26	1	128374-01330	GASKET, CYL. HEAD					1			
26-1	1	128374-01911	GASKET, CYL. HEAD					1	1		N
							(E=E/#04594)				
I 27	1	26366-080002	NUT M 8					2	2		Z
							(E=*1997.01)			(F=*1997.01)	
28	1	121450-02310	MAIN METAL 0.25US					1	1		2
I 29	1	26106-080322	BOLT M 8X 32 PLATED					1	1		W
							(E=*1997.01)			(F=*1997.01)	

Fig.3. GEAR HOUSING

P/C NEWS No.:Y00F5062-2
PUBLISHED: 2000/11

Fig.3 ギヤケース
GEAR HOUSING



(A)=3GM30
(B)=3GM30VE
(C)=3GM30B

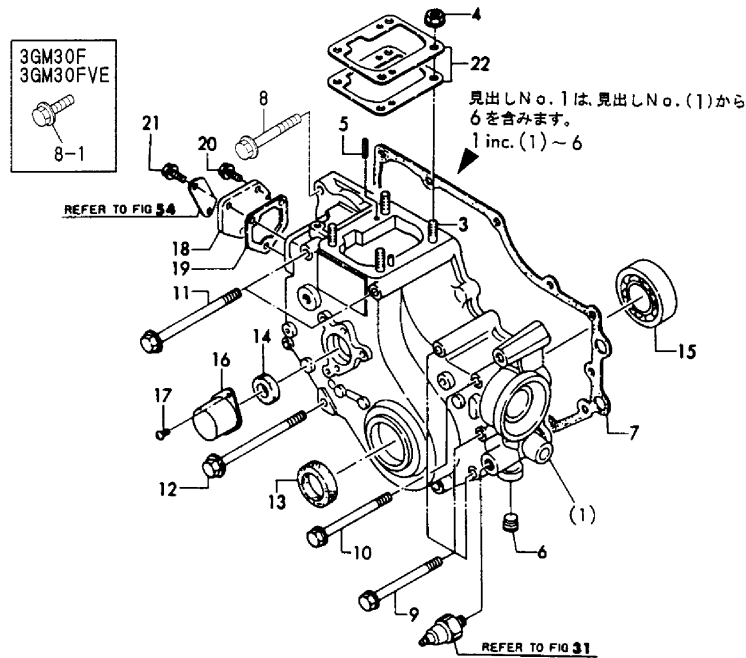
(D)=3GM30C
(E)=3GM30F
(F)=3GM30FVE

REF.	LEV.	PARTS NO.	DESCRIPTION	Q'TY						I	R
				(A)	(B)	(C)	(D)	(E)	(F)		
1	1	728370-01610	HOUSING ASSY, GEARS	1	1		1				
3	2	121450-01560	STUD M 8X 22	4	4		4				
4	2	26366-080002	NUT M 8	4	4		4				
5	2	22351-040010	SPRING PIN 4X10	2	2		2				
6	2	124060-01050	PLUG PT1/8	1	1		1				
7	1	121575-01510	GASKET, GEAR HOUSING	1			1				
7-1	1	121575-01511	GASKET, (NON-ASB.)	1	1		1				N
		(A=E/#11532)					(D=E/#01203)				
8	1	26106-080602	BOLT M 8X 60 PLATED	2	2		2				
I	8-1	26106-080302	BOLT M 8X 30 PLATED	2	2						S
		(A=*1997.01)	(B=*1997.01)								
9	1	26106-080852	BOLT M 8X 85 PLATED	5	5		5				
10	1	26106-080902	BOLT M 8X 90 PLATED	1	1		1				
11	1	26106-081152	BOLT M 8X115 PLATED	2	2		2				
12	1	26106-081152	BOLT M 8X115 PLATED	2	2		2				
13	1	121450-01800	SEAL, OIL	1			1				
13-1	1	121450-01801	SEAL TC25 40 8, OIL	1	1		1				N
		(A=E/#11483)					(D=E/#01177)				
14	1	128270-01820	SEAL SC16 28 6, OIL	1	1		1				
15	1	24101-063050	BALL BEARING	1	1		1				
16	1	128170-01830	BRACKET (B), REAR	1	1		1				
17	1	26557-060102	SCREW 6X10	2	2		2				
18	1	121000-01850	COVER, CYL BLOCK	1	1		1				
19	1	121575-01860	GASKET, COVER	1			1				
19-1	1	121575-01861	GASKET, (NON-ASB.)	1	1		1				N
		(A=E/#11532)					(D=E/#01203)				
20	1	26106-060122	BOLT M 6X 12 PLATED	1	1		1				
21	1	26106-060142	BOLT M 6X 14 PLATED	2	2		2				
22	1	121450-01951	SHIM SET	1	1		1				

Fig.4. GEAR HOUSING

P/C NEWS No.:Y00F5062-2
PUBLISHED:2000/11

Fig.4 ギヤケース
GEAR HOUSING

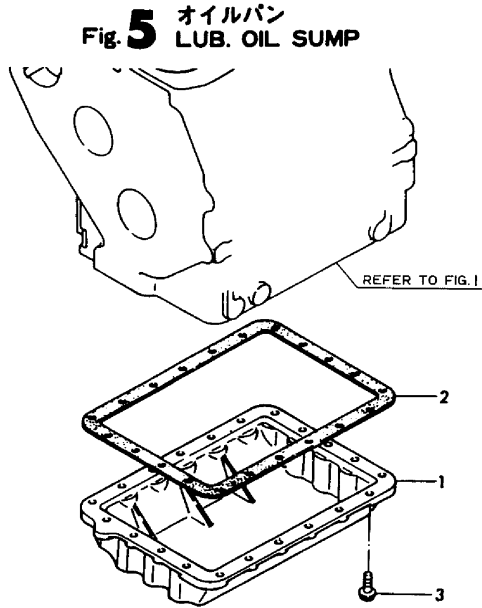


(A)=3GM30
(B)=3GM30VE
(C)=3GM30B

(D)=3GM30C
(E)=3GM30F
(F)=3GM30FVE

REF.	LEV.	PARTS NO.	DESCRIPTION	Q'TY						I	R	
				(A)	(B)	(C)	(D)	(E)	(F)			
1	1	728370-01610	HOUSING ASSY, GEARS			1		1				
3	2	121450-01560	STUD M 8X 22			4		4				
4	2	26366-080002	NUT M 8			4		4				
5	2	22351-040010	SPRING PIN 4X10			2		2				
6	2	124060-01050	PLUG PT1/8			1		1				
7	1	121575-01510	GASKET, GEAR HOUSING			1		1				
7-1	1	121575-01511	GASKET, (NON-ASB.) (C=E/#00343)			1		1		1		N
8	1	26106-080602	BOLT M 8X 60 PLATED			2		2		2		
1	8-1	26106-080302	BOLT M 8X 30 PLATED							2		S
9	1	26106-080852	BOLT M 8X 85 PLATED									
10	1	26106-080902	BOLT M 8X 90 PLATED									
11	1	26106-081152	BOLT M 8X115 PLATED									
12	1	26106-081152	BOLT M 8X115 PLATED									
13	1	121450-01800	SEAL, OIL			1		1				
13-1	1	121450-01801	SEAL TC25 40 8, OIL (C=E/#00343)			1		1		1		N
14	1	128270-01820	SEAL SC16 28 6, OIL									
15	1	24101-063050	BALL BEARING			1		1		1		
16	1	128670-01830	COVER, BLIND			1		1		1		
17	1	26557-060102	SCREW 6X10			2		2		2		
18	1	121000-01850	COVER, CYL BLOCK			1		1		1		
19	1	121575-01860	GASKET, COVER			1		1				
19-1	1	121575-01861	GASKET, (NON-ASB.) (C=E/#00343)			1		1		1		N
20	1	26106-060122	BOLT M 6X 12 PLATED			1		1		1		
21	1	26106-060142	BOLT M 6X 14 PLATED			2		2		2		
22	1	121450-01951	SHIM SET			1		1		1		

Fig.5. LUB. OIL SUMP



OCF10-G50602 5. LUB. OIL SUMP

(A)=3GM30
(B)=3GM30VE
(C)=3GM30B

(D)=3GM30C
(E)=3GM30F
(F)=3GM30FVE

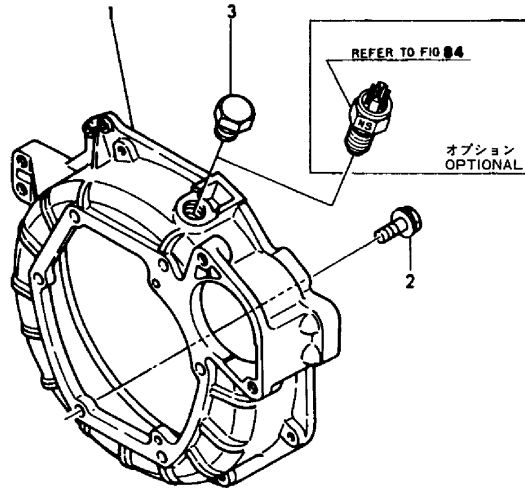
REF.	LEV.	PARTS NO.	DESCRIPTION	Q'TY						I	R
				(A)	(B)	(C)	(D)	(E)	(F)		
1	1	128370-01720	PAN, LUB OIL	1	1	1	1	1	1		
I 2-1	1	121450-01751	GASKET, OIL SUMP	1	1	1	1	1	1		1
3	1	26014-060202	BOLT M 6X 20	21	21	21	21	21	21		

Remarks

1)CORRECTION OF PART NUMBER.
(PREVIOUS P/NO. IS 121000-01751)

Fig.6. FLYWHEEL HOUSING

Fig.6 フライホイールハウジング
FLYWHEEL HOUSING



OCF10-G50602 6. FLYWHEEL HOUSING

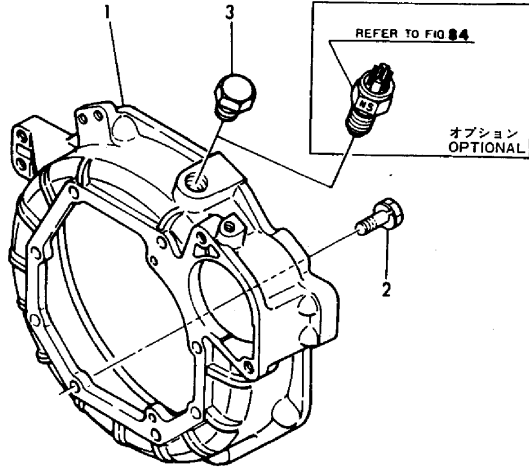
(A)=3GM30 (D)=3GM30C
 (B)=3GM30VE (E)=3GM30F
 (C)=3GM30B (F)=3GM30FVE

REF.	LEV.	PARTS NO.	DESCRIPTION	Q'TY						I	R
				(A)	(B)	(C)	(D)	(E)	(F)		
1	1	128170-01600	FLANGE, MOUNTING	1	1	1		1	1		
2	1	26106-100252	BOLT M10X 25 PLATED	6	6	6		6	6		
3	1	23887-180002	PLUG 18	1	1	1		1	1		

Fig.7. FLYWHEEL HOUSING

(A)=3GM30
 (B)=3GM30VE
 (C)=3GM30B
 (D)=3GM30C
 (E)=3GM30F
 (F)=3GM30FVE

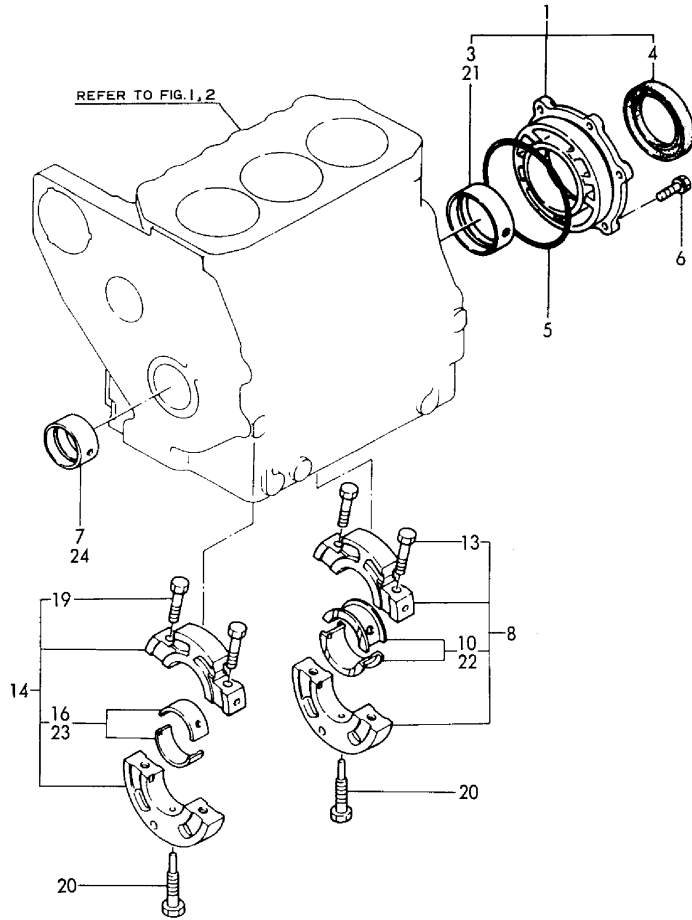
Fig. 7 フライホイールハウジング
 FLYWHEEL HOUSING



REF.	LEV.	PARTS NO.	DESCRIPTION	Q'TY						I	R	
				(A)	(B)	(C)	(D)	(E)	(F)			
1	1	128371-01601	HOUSING, FLYWHEEL				1					
2	1	26013-100252	BOLT W/WASHER M10X25				8					
3	1	23887-180002	PLUG 18				1					

Fig.8. MAIN BEARING HOUSING

Fig.8 メインメタル
MAIN BEARING HOUSING



OCF10-G50602 8. MAIN BEARING HOUSING

(A)=3GM30
(B)=3GM30VE
(C)=3GM30B

(D)=3GM30C
(E)=3GM30F
(F)=3GM30FVE

REF.	LEV.	PARTS NO.	DESCRIPTION	Q'TY						I	R
				(A)	(B)	(C)	(D)	(E)	(F)		
1	1	721450-02500	HOUSING ASSY METAL	1	1	1	1	1	1		
3	2	121450-02110	MAIN METAL	1	1	1	1	1	1		
4	2	124085-02220	SEAL, OIL	1	1	1	1	1	1		
5	1	105225-02020	O-RING	1	1	1	1	1	1		
6	1	26013-080202	BOLT W/WASHER M8X20	6	6	6	6	6	6		
7	1	121450-02100	MAIN METAL	1	1	1	1	1	1		
8	1	721450-02611	HOUSING ASSY	1	1	1	1	1	1		
10	2	121450-02160	MAIN METAL(1)	1	1	1	1	1	1		
13	2	121450-02071	BOLT	2	2	2	2	2	2		
14	1	721450-02621	HOUSING ASSY	1	1	1	1	1	1		
16	2	121450-02170	MAIN METAL(2)	1	1	1	1	1	1		
19	2	121450-02071	BOLT	2	2	2	2	2	2		
20	1	105225-02300	BOLT	2	2	2	2	2	2		
21	1	121450-02320	MAIN METAL 0.25US	1	1	1	1	1	1		1
22	1	121450-02370	MAIN METAL 0.25US	1	1	1	1	1	1		1
23	1	121450-02380	MAIN METAL 0.25US	1	1	1	1	1	1		1
24	1	121450-02310	MAIN METAL 0.25US	1	1	1	1	1	1		1

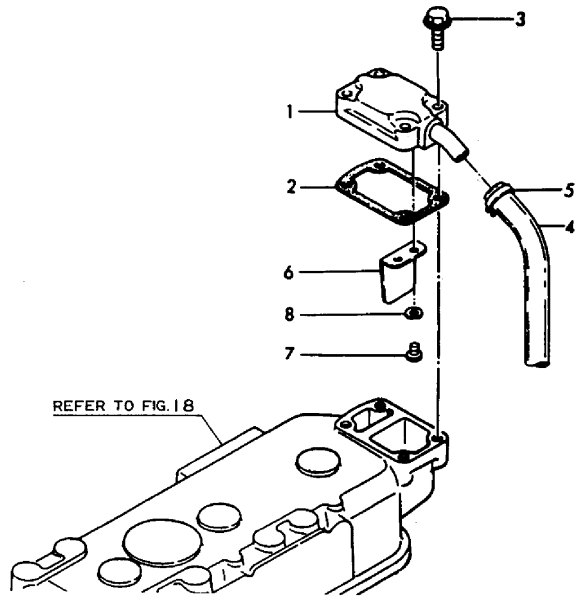
Remarks

1)UMDER-SIZED PART.(0.25)

N:Old $\xrightarrow{\text{Yes}}$ New, Q:Old $\xrightarrow{\text{No}}$ New, R:Old $\xrightarrow{\text{Yes}}$ New, S:Old $\xrightarrow{\text{No}}$ New, W:Add, Z:Discontinued, F:Interchangeable by set, K:Q'ty Change

Fig.9. BREATHER

Fig.9 ブリーザ
BREATHER



OCF10-G50602 9. BREATHER

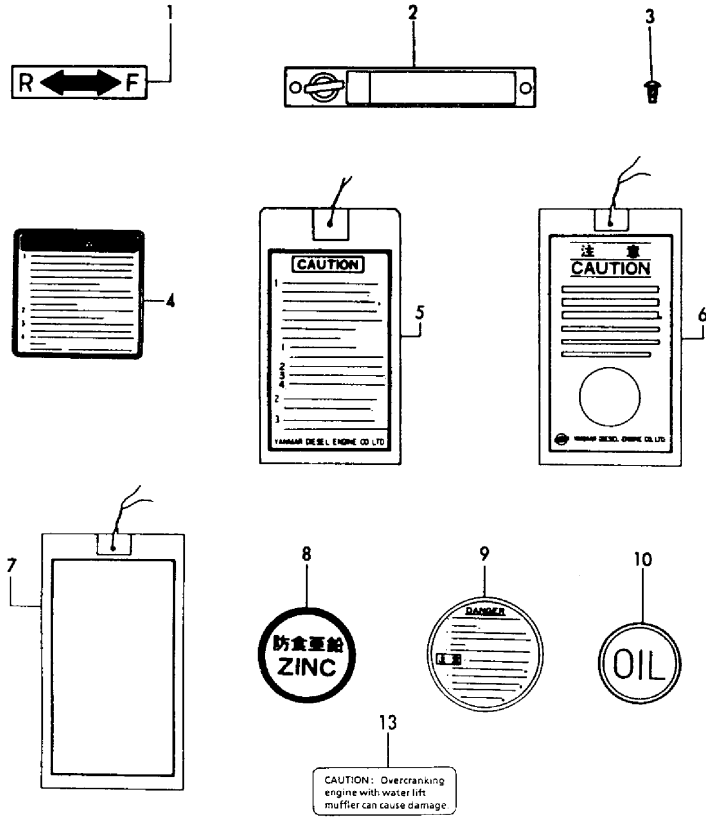
(A)=3GM30
(B)=3GM30VE
(C)=3GM30B

(D)=3GM30C
(E)=3GM30F
(F)=3GM30FVE

REF.	LEV.	PARTS NO.	DESCRIPTION	Q'TY						I	R
				(A)	(B)	(C)	(D)	(E)	(F)		
I	1	121000-03020	COVER, BREATHER	1	1	1	1	1	1		
I	2	121000-03070	GASKET	1	1	1	1	1	1		
	3	26106-060252	BOLT M 6X 25 PLATED	4	4	4	4	4	4		
	4	121000-03200	PIPE, BREATHER	1	1	1	1	1	1		
I	5	23080-013000	CLAMP 13,HOSE	2	2	2	2	2	2		
I	6	121000-03080	PLATE, SHELTER	1	1	1	1	1	1		
I	7	26557-050102	SCREW M 5X 10	2	2	2	2	2	2		
I	8	22217-050000	SPRING WASHER 5	2	2	2	2	2	2		

Fig.10. LABEL

Fig. 10 銘板 LABEL



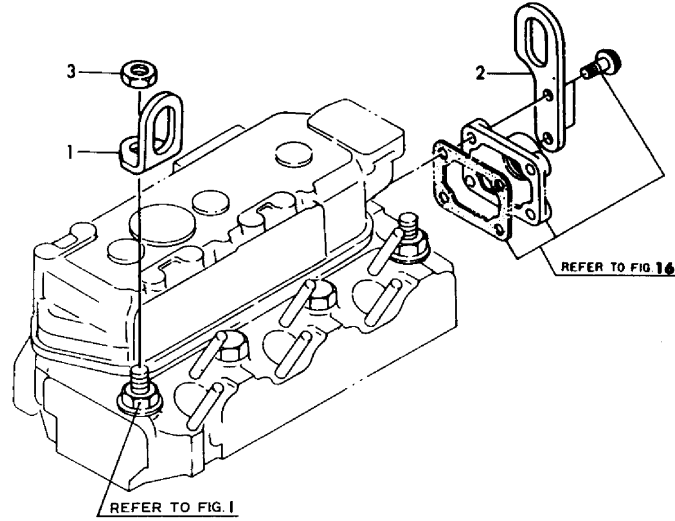
(A)=3GM30
(B)=3GM30VE
(C)=3GM30B

(D)=3GM30C
(E)=3GM30F
(F)=3GM30FVE

REF.	LEV.	PARTS NO.	DESCRIPTION	Q'TY						I	R
				(A)	(B)	(C)	(D)	(E)	(F)		
1	1	177088-02430	LABEL	1		1		1			
2	1	105582-07061	LABEL			1					
3	1	102210-07990	RIVET			2					
4	1	127611-07350	LABEL						1		
4-1	1	129198-07350	LABEL						1	1	N
				(E=E08792)							
5	1	126630-07370	LABEL						1	1	
6	1	123682-07850	LABEL						1	1	
7	1	128170-07850	LABEL, CAUTION	1	1		1				
8	1	124220-09340	LABEL	3	3	3	3				
I 9	1	120445-44620	PLATE						1	1	
10	1	42222-003550	LABEL	1					1		Z
				(A=EXXX)		(E=EXXX)					
I 13	1	128171-07150	LABEL	1	1		1	1	1	1	W
				(A=E14382)		(E=E14395)					

Fig.11. ENGINE LIFTER

Fig. 11 吊り上げ金具
ENGINE LIFTER



OCF10-G50602 11. ENGINE LIFTER

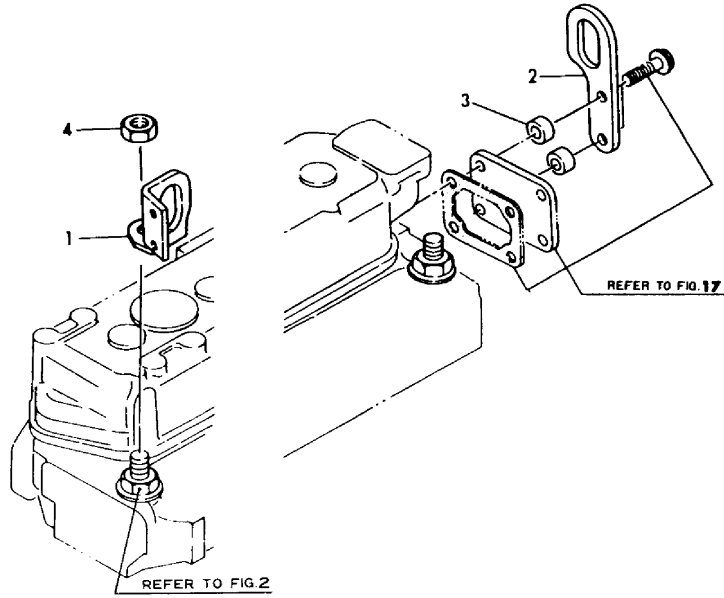
(A)=3GM30
(B)=3GM30VE
(C)=3GM30B

(D)=3GM30C
(E)=3GM30F
(F)=3GM30FVE

REF.	LEV.	PARTS NO.	DESCRIPTION	Q'TY						I	R
				(A)	(B)	(C)	(D)	(E)	(F)		
I	1	121575-07230	LIFTER, ENGINE	1	1	1	1				
	2	121575-07240	LIFTER, ENGINE	1	1	1	1				
	3	26776-120002	LOCK NUT M12 PLATED	1	1	1	1				

Fig.12. ENGINE LIFTER

Fig. **12** 吊り上げ金具
ENGINE LIFTER



OCF10-G50602 12. ENGINE LIFTER

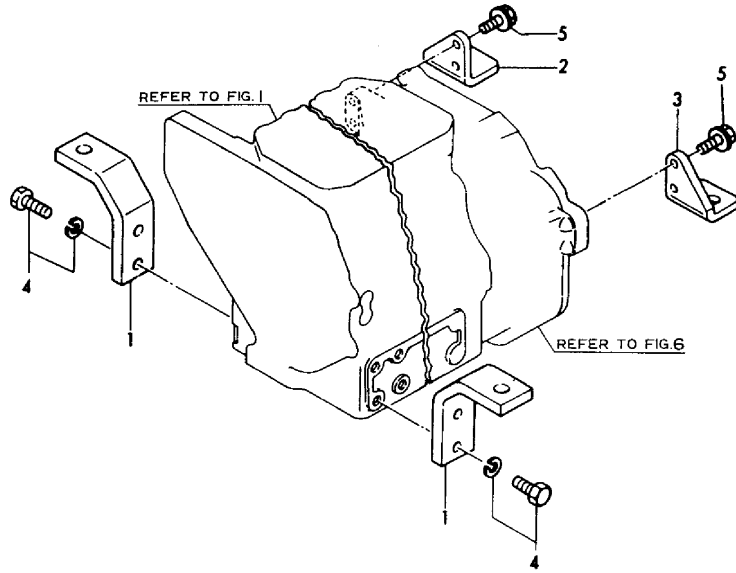
(A)=3GM30
(B)=3GM30VE
(C)=3GM30B

(D)=3GM30C
(E)=3GM30F
(F)=3GM30FVE

REF.	LEV.	PARTS NO.	DESCRIPTION	Q'TY						I	R	
				(A)	(B)	(C)	(D)	(E)	(F)			
1	1	128695-07230	LIFTER, ENGINE					1				1
2	1	121575-07240	LIFTER, ENGINE					1				1
3	1	123372-03150	SPACER					2				2
4	1	26776-120002	LOCK NUT M12 PLATED					1				1

Fig.13. ENGINE BRACKET

Fig. 13 マウンティングフット
ENGINE BRACKET



OCF10-G50602 13. ENGINE BRACKET

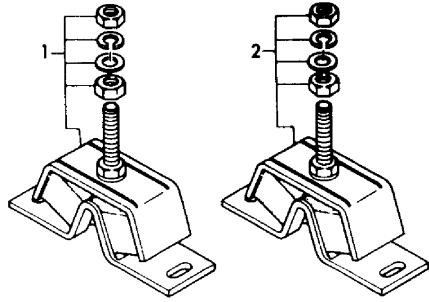
(A)=3GM30
(B)=3GM30VE
(C)=3GM30B

(D)=3GM30C
(E)=3GM30F
(F)=3GM30FVE

REF.	LEV.	PARTS NO.	DESCRIPTION	Q'TY						I	R
				(A)	(B)	(C)	(D)	(E)	(F)		
1	1	128170-08100	BRACKET (A), ENGINE	2	2	2	2	2	2		
2	1	128170-08120	BRACKET (A), REAR	1	1	1	1	1	1		
3	1	128170-08130	BRACKET(B), REAR	1	1	1	1	1	1		
4	1	26013-120302	BOLT W/WASHER M12X30	4	4	4	4	4	4		
5	1	26106-100252	BOLT M10X 25 PLATED	4	4	4	4	4	4		

Fig.14. FLEXIBLE MOUNT

Fig. 14 フレキシブルマウント
FLEXIBLE MOUNT



OCF10-G50602 14. FLEXIBLE MOUNT

(A)=3GM30
(B)=3GM30VE
(C)=3GM30B

(D)=3GM30C
(E)=3GM30F
(F)=3GM30FVE

REF.	LEV.	PARTS NO.	DESCRIPTION	Q'TY						I	R
				(A)	(B)	(C)	(D)	(E)	(F)		
1	1	124772-08341	MOUNTING, FLEXIBLE	2	4	2	2	2	4		
2	1	128270-08341	MOUNTING, FLEXIBLE	2		2		2			

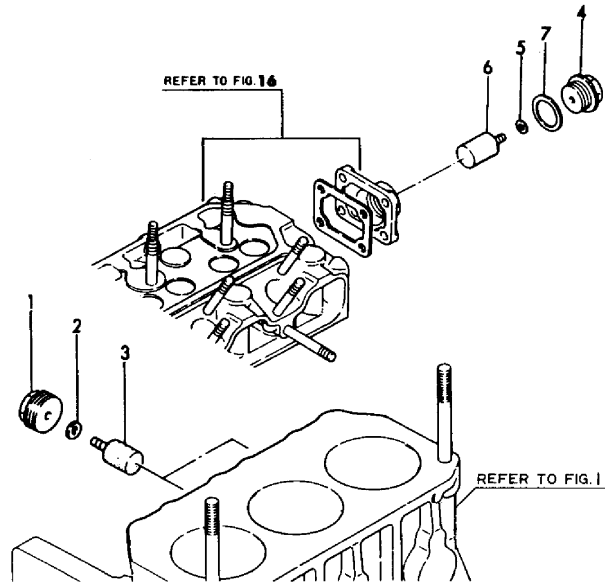
Fig.15. ANTI-CORROSIVE ZINC

OCF10-G50602 15. ANTI-CORROSIVE ZINC

(A)=3GM30
(B)=3GM30VE
(C)=3GM30B

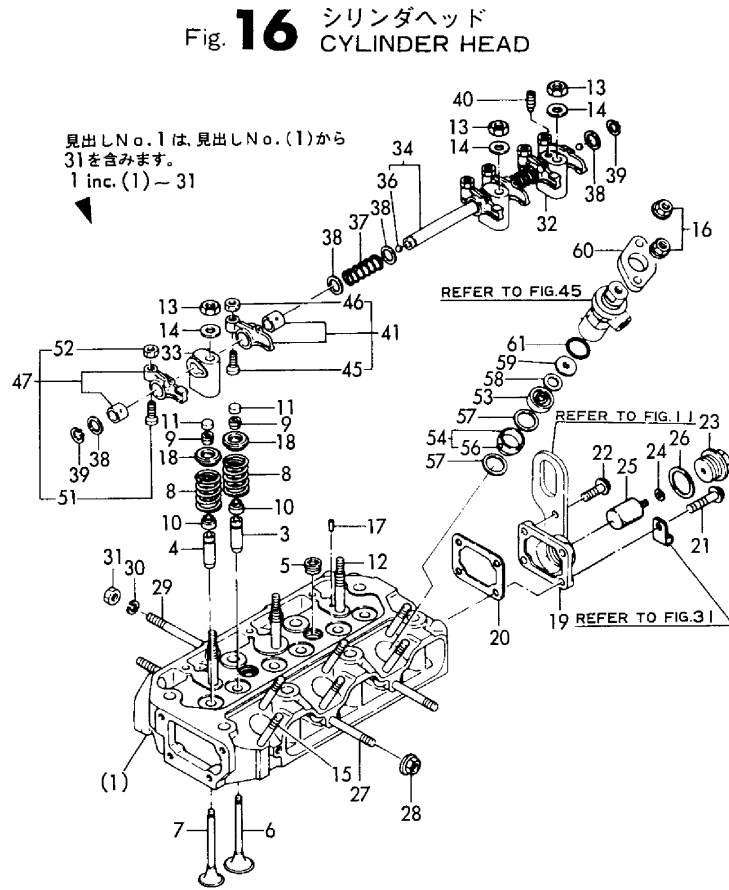
(D)=3GM30C
(E)=3GM30F
(F)=3GM30FVE

Fig. 15 防食亜鉛
ANTI-CORROSIVE ZINC



REF.	LEV.	PARTS NO.	DESCRIPTION	Q'TY						I	R
				(A)	(B)	(C)	(D)	(E)	(F)		
1	2	128270-09300	PLUG NPTF 1"	2	2	2	2				
2	2	123210-09310	PACKING	2	2	2	2				
3	2	27210-200300	ZINC, ANTI-CORROSIVE	2	2	2	2				
4	2	122780-09320	PLUG	1	1	1	1				
5	2	123210-09310	PACKING	1	1	1	1				
6	2	27210-200300	ZINC, ANTI-CORROSIVE	1	1	1	1				
7	2	23414-250000	GASKET 25,ROUND	1	1	1	1				

Fig.16. CYLINDER HEAD

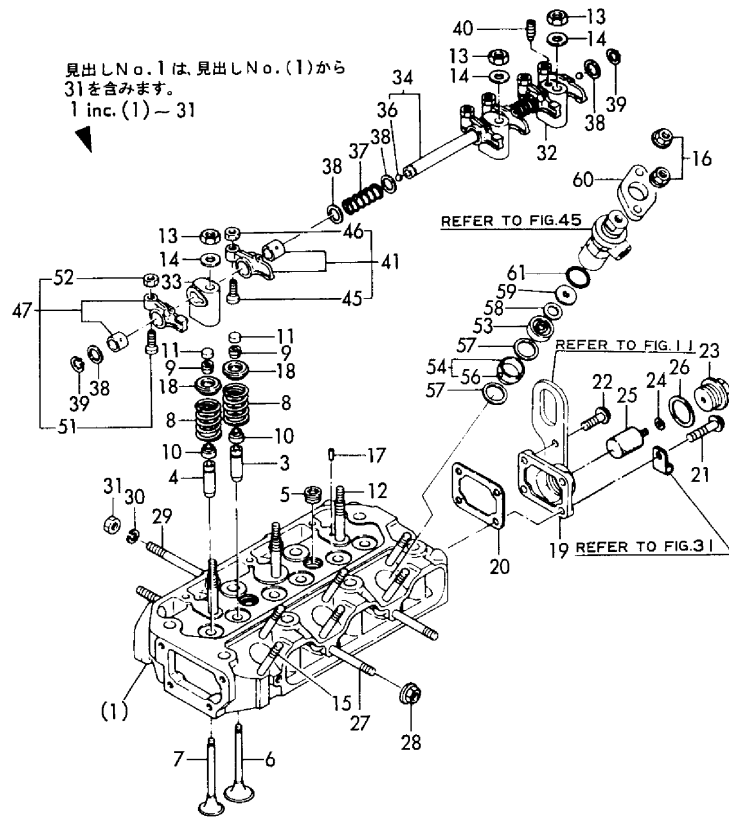


(A)=3GM30
(B)=3GM30VE
(C)=3GM30B
(D)=3GM30C
(E)=3GM30F
(F)=3GM30FVE

REF.	LEV.	PARTS NO.	DESCRIPTION	QTY						I	R
				(A)	(B)	(C)	(D)	(E)	(F)		
1	1	728372-11700	HEAD ASSY, CYLINDER	1	1	1	1				
3	3	124060-11160	GUIDE, VALVE	3	3	3	3				
4	3	128272-11170	GUIDE, VALVE	3	3	3	3				
5	3	23871-030000	PLUG PT3/8,SCREW	2	2	2	2				
6	2	105225-11100	VALVE, SUCTION	3	3	3	3				
7	2	105225-11110	VALVE, EXHAUST	3	3	3	3				
8	2	121575-11121	SPRING, VALVE	6	6	6	6				
9	2	101158-11190	COTTER	12	12	12	12				
10	2	124950-11340	SEAL, VALVE STEM	6	6	6	6				
11	2	104211-11370	CAP, VALVE	6	6	6	6				
12	2	105225-11350	STUD, SUPPORT	3	3	3	3				
13	2	26696-100002	NUT M10	3	3	3	3				
14	2	22137-100000	WASHER 10,POLISHED	3	3	3	3				
15	2	26216-080652	STUD M 8X 65 PLATED	6	6	6	6				
16	2	26366-080002	NUT M 8	6	6	6	6				
17	2	121000-11050	PIN 4.5X10	1	1	1	1				
18	2	104200-11180	RETAINER, SPRING	6	6	6	6				
19	2	121575-11670	COVER	1	1	1	1				
20	2	121450-11680	GASKET, COVER	1	1	1	1				
I 20-1	2	121450-11681	GASKET, (NON-ASB.)	1	1	1	1				N
		(A=E11532)	(C=E00343)	(D=E01203)							
21	2	26106-080302	BOLT M 8X 30 PLATED	2	2	2	2				
22	2	26106-080302	BOLT M 8X 30 PLATED	2	2	2	2				
23	2	122780-09320	PLUG	1	1	1	1				
24	2	123210-09310	PACKING	1	1	1	1				
25	2	27210-200300	ZINC, ANTI-CORROSIVE	1	1	1	1				
26	2	23414-250000	GASKET 25,ROUND	1	1	1	1				
27	2	26217-080552	STUD M 8X 55 PLATED	2	2	2	2				
28	2	26366-080002	NUT M 8	2	2	2	2				
29	2	128670-13350	STUD M 8X80	2	2	2	2				
30	2	22217-080000	SPRING WASHER 8	6	6	6	6				
31	2	26703-080002	NUT M 8	2	2	2	2				
32	1	121450-11260	SUPPORT, ROCKER ARM	1	1	1	1				
33	1	121450-11270	SUPPORT, ROCKER ARM	2	2	2	2				
34	1	121450-11240	SHAFT, ROCKER ARM	1	1	1	1				
36	2	24190-110001	BALL 11/32, STEEL	2	2	2	2				
37	1	121550-11280	SPRING	2	2	2	2				
38	1	121550-11290	WASHER	6	6	6	6				
39	1	22242-000140	CIRCLIP 14	2	2	2	2				
40	1	26921-080102	SET SCREW M 8X 10	1	1	1	1				
41	1	721450-11650	ARM ASSY, ROCKER	3	3	3	3				
45	2	101158-11230	SCREW, VALVE	3	3	3	3				
46	2	26756-080002	LOCK NUT M 8 PLATED	3	3	3	3				
47	1	721450-11660	ARM ASSY, ROCKER	3	3	3	3				
51	2	101158-11230	SCREW, VALVE	3	3	3	3				
52	2	26756-080002	LOCK NUT M 8 PLATED	3	3	3	3				
53	1	128275-11410	CHAMBER, REAR	3	3	3	3				
54	1	105311-11420	CHAMBER, FRONT	3	3	3	3				
56	2	103338-11430	PIN	3	3	3	3				
57	1	124950-11450	GASKET, CHAMBER	6	6	6	6				
58	1	128275-11490	INSULATOR	3	3	3	3				

Fig.16. CYLINDER HEAD

Fig. 16 シリンダヘッド
CYLINDER HEAD



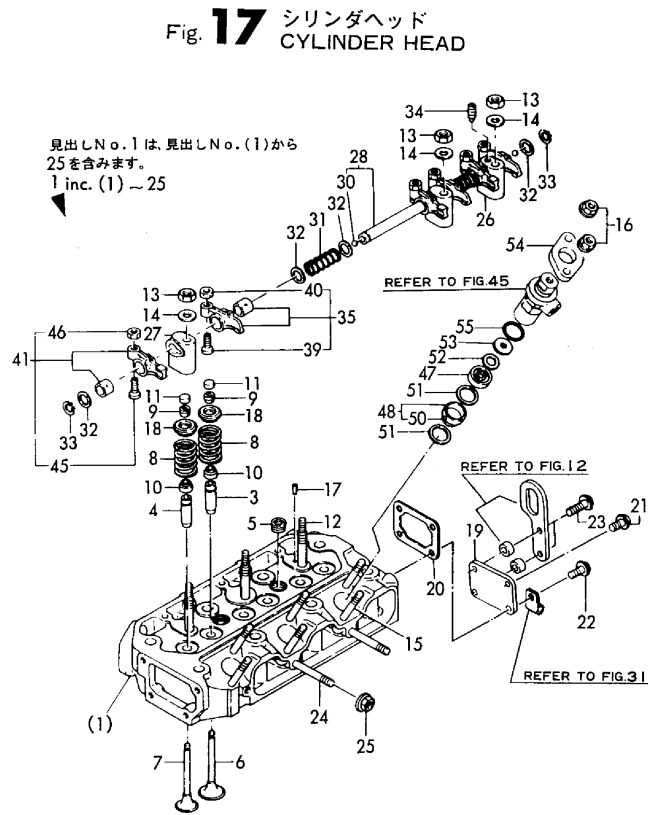
OCF10-G50602 16. CYLINDER HEAD

(A)=3GM30
(B)=3GM30VE
(C)=3GM30B

(D)=3GM30C
(E)=3GM30F
(F)=3GM30FVE

REF.	LEV.	PARTS NO.	DESCRIPTION	Q'TY						I	R
				(A)	(B)	(C)	(D)	(E)	(F)		
59	1	128275-11500	COVER	3	3	3	3				
60	1	101147-11900	FLANGE	3	3	3	3				
61	1	24341-000260	O-RING 1A S-26.0	3	3	3	3				

Fig.17. CYLINDER HEAD



Remarks

1)CYLINDER HEAD ASSY OF MODEL 3GM30F IS SUPPLIED AS MODEL 3GM30. ALTHOUGH COMPONENT PARTS ARE PARTLY DIFFERET, BUT INTERCHANGEABLE.

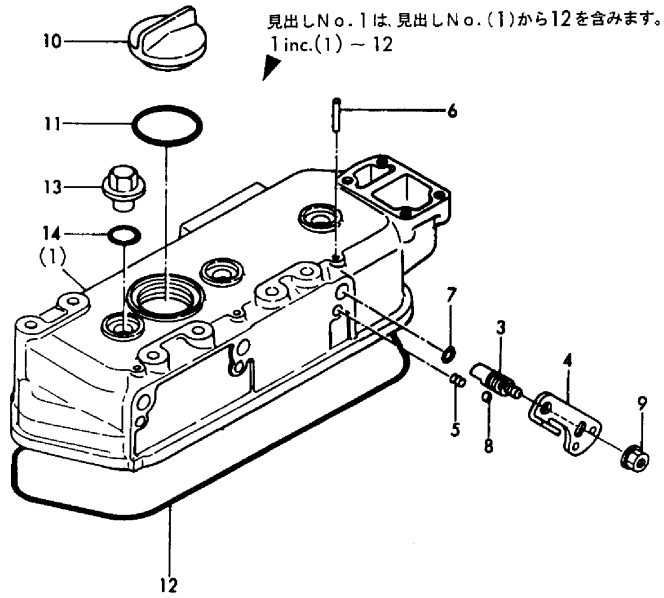
(A)=3GM30
(B)=3GM30VE
(C)=3GM30B

(D)=3GM30C
(E)=3GM30F
(F)=3GM30FVE

REF.	LEV.	PARTS NO.	DESCRIPTION	Q'TY						I	R
				(A)	(B)	(C)	(D)	(E)	(F)		
1	1	728372-11700	HEAD ASSY, CYLINDER					1	1		1
3	3	124060-11160	GUIDE, VALVE					3	3		
4	3	128272-11170	GUIDE, VALVE					3	3		
5	3	23871-030000	PLUG PT3/8,SCREW					2	2		
6	2	105225-11100	VALVE, SUCTION					3	3		
7	2	105225-11110	VALVE, EXHAUST					3	3		
8	2	121575-11121	SPRING, VALVE					6	6		
9	2	101158-11190	COTTER					12	12		
10	2	124950-11340	SEAL, VALVE STEM					6	6		
11	2	104211-11370	CAP, VALVE					6	6		
12	2	105225-11350	STUD, SUPPORT					3	3		
13	2	26696-100002	NUT M10					3	3		
14	2	22137-100000	WASHER 10,POLISHED					3	3		
15	2	26216-080652	STUD M 8X 65 PLATED					6	6		
16	2	26366-080002	NUT M 8					6	6		
17	2	121000-11050	PIN 4.5X10					1	1		
18	2	104200-11180	RETAINER, SPRING					6	6		
19	2	121450-11670	COVER					1	1		
20	2	121450-11680	GASKET, COVER					1			
I 20-1	2	121450-11681	GASKET, (NON-ASB.)					1	1		N
								(E=E11515)			
21	2	26106-080122	BOLT M 8X 12 PLATED					1	1		
22	2	26106-080142	BOLT M 8X 14 PLATED					1	1		
23	2	26106-080252	BOLT M 8X 25 PLATED					2	2		
24	2	26217-080552	STUD M 8X 55 PLATED					2	2		
25	2	26366-080002	NUT M 8					2	2		
26	1	121450-11260	SUPPORT, ROCKER ARM					1	1		
27	1	121450-11270	SUPPORT, ROCKER ARM					2	2		
28	1	121450-11240	SHAFT, ROCKER ARM					1	1		
30	2	24190-110001	BALL 11/32, STEEL					2	2		
31	1	121550-11280	SPRING					2	2		
32	1	121550-11290	WASHER					6	6		
33	1	22242-000140	CIRCLIP 14					2	2		
34	1	26921-080102	SET SCREW M 8X 10					1	1		
35	1	721450-11650	ARM ASSY, ROCKER					3	3		
39	2	101158-11230	SCREW, VALVE					3	3		
40	2	26756-080002	LOCK NUT M 8 PLATED					3	3		
41	1	721450-11660	ARM ASSY, ROCKER					3	3		
45	2	101158-11230	SCREW, VALVE					3	3		
46	2	26756-080002	LOCK NUT M 8 PLATED					3	3		
47	1	128275-11410	CHAMBER, REAR					3	3		
48	1	105311-11420	CHAMBER, FRONT					3	3		
50	2	103338-11430	PIN					3	3		
51	1	124950-11450	GASKET, CHAMBER					6	6		
52	1	128275-11490	INSULATOR					3	3		
53	1	128275-11500	COVER					3	3		
54	1	101147-11900	FLANGE					3	3		
55	1	24341-000260	O-RING 1A S-26.0					3	3		

Fig.18. BONNET

Fig. 18 ボンネット
BONNET



OCF10-G50602 18. BONNET

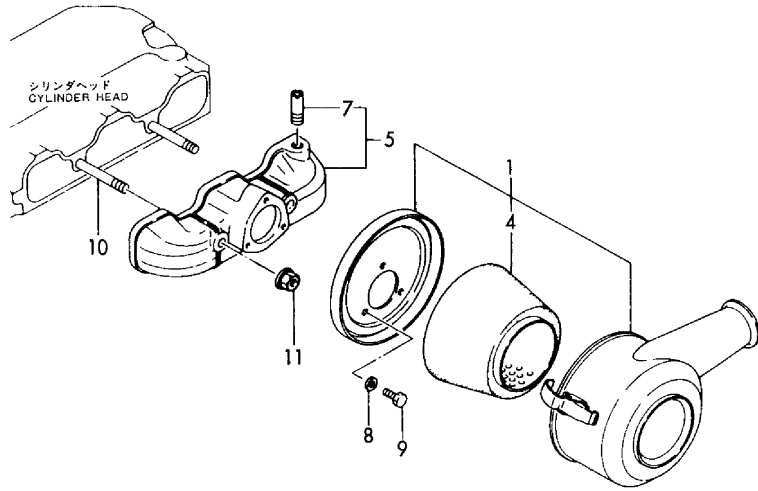
(A)=3GM30
(B)=3GM30VE
(C)=3GM30B

(D)=3GM30C
(E)=3GM30F
(F)=3GM30FVE

REF.	LEV.	PARTS NO.	DESCRIPTION	Q'TY						I	R
				(A)	(B)	(C)	(D)	(E)	(F)		
1	1	728370-11520	BONNET ASSY, HEAD	1	1	1	1	1	1		
3	2	128270-03610	SHAFT, DECOMPRESSION	3	3	3	3	3	3		
4	2	128270-03750	LEVER, DECOMPRESSION	3	3	3	3	3	3		
5	2	128270-03640	SPRING	3	3	3	3	3	3		
6	2	22312-030220	PARALLEL PIN 3X22	3	3	3	3	3	3		
7	2	24311-000070	O-RING 1A P-7.0	3	3	3	3	3	3		
8	2	24190-080001	BALL 1/4, STEEL	3	3	3	3	3	3		
9	2	26366-060002	NUT M 6	3	3	3	3	3	3		
10	2	124160-01751	CAP, LUB.OIL SUPPLY	1	1	1	1	1	1		
11	2	24321-000350	O-RING 1A G-35.0	1	1	1	1	1	1		
12	2	121450-11310	GASKET, BONNET	1	1	1	1	1	1		
13	1	124160-11360	KNOB	3	3	3	3	3	3		
14	1	24311-000120	O-RING 1A P 12.0	3	3	3	3	3	3		

Fig.19. AIR INTAKE SILENCER

Fig. 19 吸気サイレンサ
AIR INTAKE SILENCER



OCF10-G50602 19. AIR INTAKE SILENCER

(A)=3GM30
(B)=3GM30VE
(C)=3GM30B

(D)=3GM30C
(E)=3GM30F
(F)=3GM30FVE

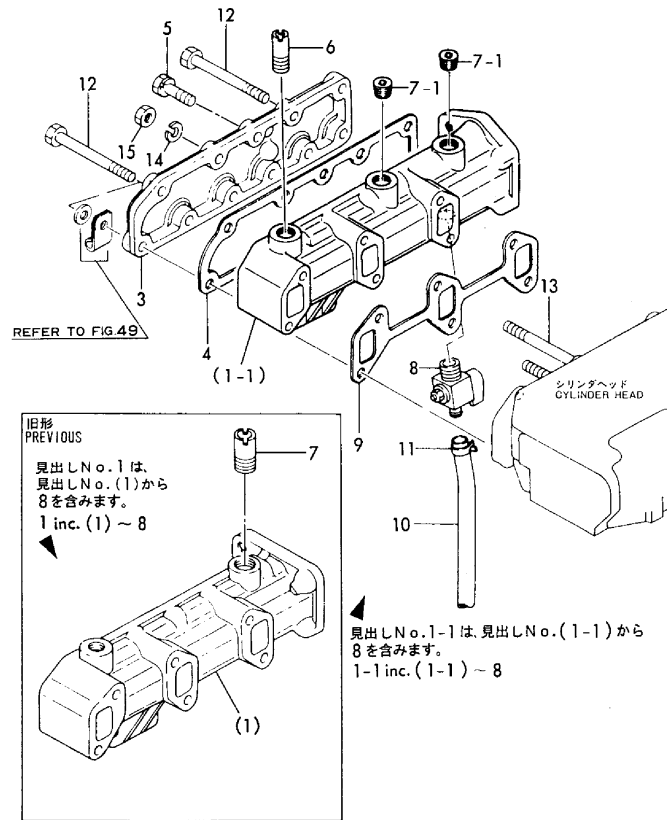
REF.	LEV.	PARTS NO.	DESCRIPTION	Q'TY						I	R
				(A)	(B)	(C)	(D)	(E)	(F)		
1	1	128270-12500	SILENCER, AIR INTAKE	1	1	1	1	1	1		
4	2	128270-12540	ELEMENT, SILENCER	1	1	1	1	1	1		
5	1	128370-12730	MANIFOLD, AIR INTAKE	1	1	1	1	1	1		
7	2	124770-11770	JOINT PT1/8	1	1	1	1	1	1		
8	1	22117-060000	WASHER 6	3	3	3	3	3	3		
I 9	1	26013-060142	BOLT M 6X 14	3	3	3	3	3	3		
10	1	26217-080552	STUD M 8X 55 PLATED	2	2	2	2	2	2		
11	1	26366-080002	NUT M 8	2	2	2	2	2	2		

Fig.20. EXHAUST MANIFOLD

(A)=3GM30
(B)=3GM30VE
(C)=3GM30B

(D)=3GM30C
(E)=3GM30F
(F)=3GM30FVE

Fig.20 排気マニホールド
EXHAUST MANIFOLD



REF.	LEV.	PARTS NO.	DESCRIPTION	Q'TY						I	R
				(A)	(B)	(C)	(D)	(E)	(F)		
1	1	728370-13500	MANIFOLD ASSY, EXH.	1	1	1	1				
1-1	1	728370-13501	MANIFOLD ASSY, EXH.	1	1	1	1			F	1
		(A=E01538)	(C=E00133)	(D=E00212)							
3	2	128370-13160	COVER, MANIFOLD	1	1	1	1				
4	2	128370-13180	GASKET	1		1	1				
I 4-1	2	128370-13181	GASKET, (NON-ASB.)	1	1	1	1				N
		(A=E11532)	(C=E00343)	(D=E01203)							
5	2	26013-080252	BOLT M 8X 25	5	5	5	5				
6	2	127610-42130	JOINT	1	1	1	1				
7	2	121575-49300	JOINT PT 3/8	1		1	1				
7-1	2	23871-030000	PLUG PT3/8,SCREW	2	2	2	2				S
		(A=E01538)	(C=E00133)	(D=E00212)							
8	2	104200-11920	COCK	1	1	1	1				
9	1	121450-13250	GASKET, EXH.MANIFOLD	1		1	1				
I 9-1	1	121450-13251	GASKET, (NON-ASB.)	1	1	1	1				N
		(A=E11532)	(C=E00343)	(D=E01203)							
10	1	23061-100300	PIPE 10X 300	1	1	1	1				
11	1	124223-49750	BAND	1	1	1	1				
12	1	26115-080802	BOLT M 8X80	4	4	4	4				
13	1	128670-13350	STUD M 8X80	2	2	2	2				
14	1	22217-080000	SPRING WASHER 8	6	6	6	6				
15	1	26703-080002	NUT M 8	2	2	2	2				

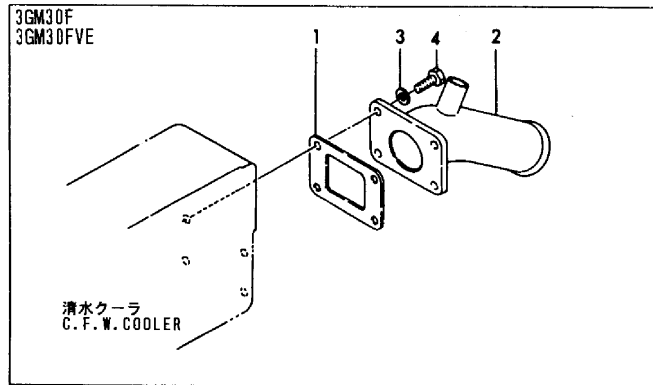
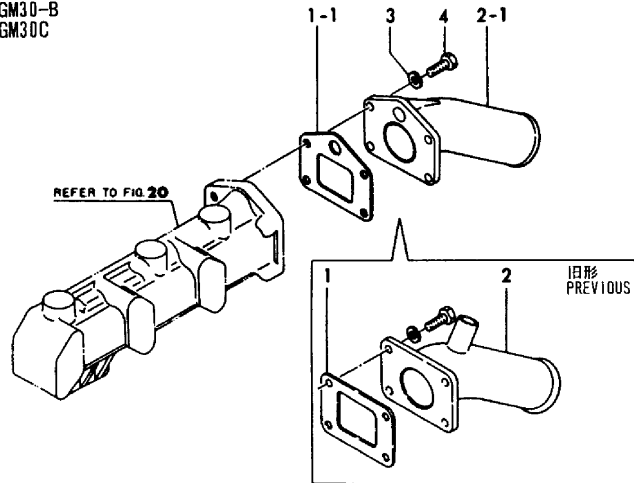
Remarks

1) INTERCHANGEABLE BY SIMULTANEOUS REPLACEMENT WITH JOINT(121575-49300),SPACER(128370-13220) & GASKET(128370-13230).

Fig.21. MIXING ELBOW

Fig.21 ミキシングエルボ
MIXING ELBOW

3GM30
3GM30VE
3GM30-B
3GM30C



OCF10-G50602 21. MIXING ELBOW

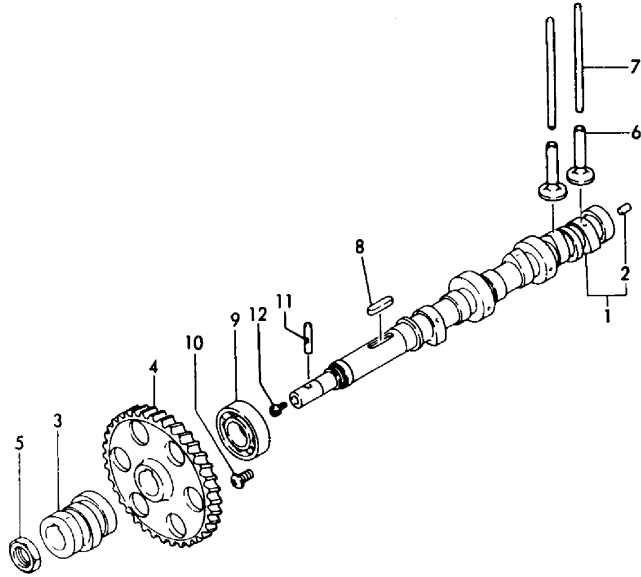
(A)=3GM30
(B)=3GM30VE
(C)=3GM30B

(D)=3GM30C
(E)=3GM30F
(F)=3GM30FVE

REF.	LEV.	PARTS NO.	DESCRIPTION	Q'TY						I	R	
				(A)	(B)	(C)	(D)	(E)	(F)			
1	1	128370-13200	GASKET	1								
1-1	1	128370-13230	GASKET	1							S	
		(A=E01538)	(C=E00133) (D=E00212)									
1-2	1	128370-13231	GASKET	1	1	1	1				S	
		(A=E05446)	(C=E00215) (D=E00123)									
I	1-3	128370-13201	GASKET, (NON-ASB.)							1	1	N
				(E=E11515)								
2	1	128370-13530	ELBOW, MIXING	1				1	1	1		
2-1	1	128370-13550	ELBOW, MIXING	1	1	1	1				S	
		(A=E01538)	(C=E00133) (D=E00212)									
3	1	22217-080000	SPRING WASHER 8	4	4	4	4	4	4	4		
4	1	26203-080202	BOLT M 8X 20	4	4	4	4	4	4	4		

Fig.22. CAMSHAFT

Fig.22 カムシャフト
CAMSHAFT



OCF10-G50602 22. CAMSHAFT

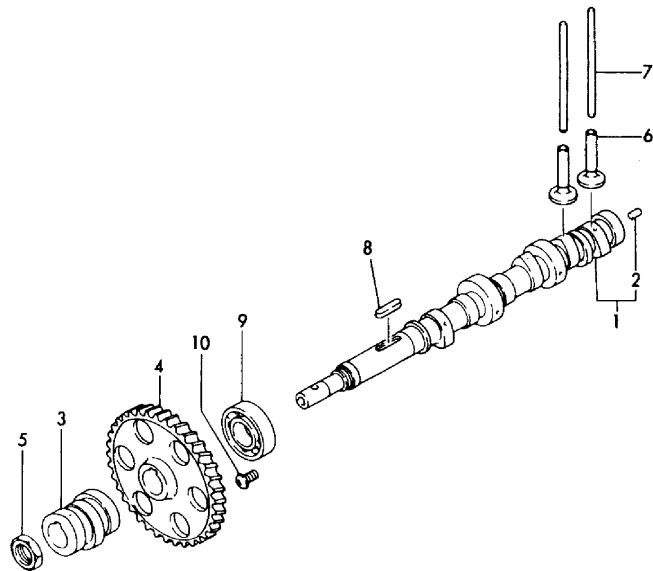
(A)=3GM30
(B)=3GM30VE
(C)=3GM30B

(D)=3GM30C
(E)=3GM30F
(F)=3GM30FVE

REF.	LEV.	PARTS NO.	DESCRIPTION	Q'TY						I	R
				(A)	(B)	(C)	(D)	(E)	(F)		
1	1	128370-14010	CAMSHAFT	1	1		1				
2	2	121000-14550	PLUG	1	1		1				
3	1	121575-14090	CAM, FUEL	1	1		1				
4	1	129350-14100	GEAR, CAMSHAFT	1	1		1				
5	1	128170-14150	NUT, CAM	1	1		1				
6	1	104200-14200	TAPPET	6	6		6				
7	1	121450-14400	ROD, PUSH	6	6		6				
8	1	22512-070300	KEY 7X 30	1	1		1				
9	1	24101-062054	BEARING #6205	1	1		1				
10	1	26587-080122	SCREW M 8X 12	1	1		1				
11	1	124070-14760	PIN	1	1		1				
12	1	26450-050102	BOLT M 5X 10	1	1		1				

Fig.23. CAMSHAFT

Fig.23 カムシャフト
CAMSHAFT



OCF10-G50602 23. CAMSHAFT

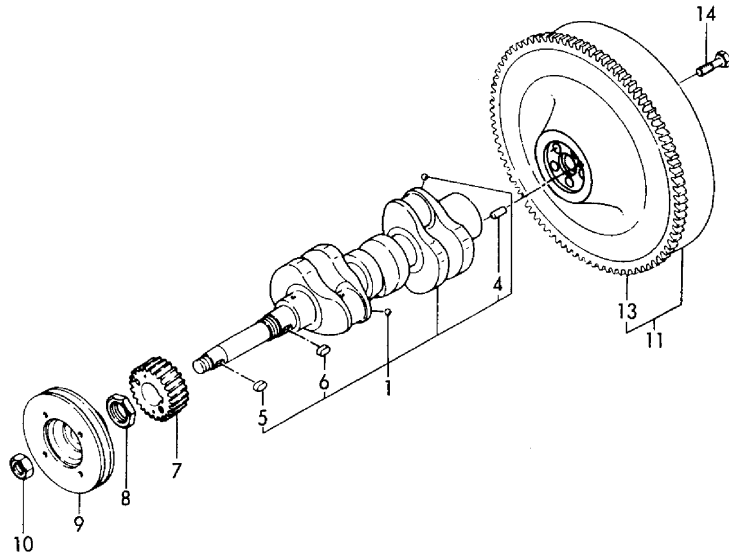
(A)=3GM30
(B)=3GM30VE
(C)=3GM30B

(D)=3GM30C
(E)=3GM30F
(F)=3GM30FVE

REF.	LEV.	PARTS NO.	DESCRIPTION	Q'TY						I	R
				(A)	(B)	(C)	(D)	(E)	(F)		
1	1	128370-14010	CAMSHAFT			1		1	1		
2	2	121000-14550	PLUG			1		1	1		
3	1	121575-14090	CAM, FUEL			1		1	1		
4	1	129350-14100	GEAR, CAMSHAFT			1		1	1		
5	1	128170-14150	NUT, CAM			1		1	1		
6	1	104200-14200	TAPPET			6		6	6		
7	1	121450-14400	ROD, PUSH			6		6	6		
8	1	22512-070300	KEY 7X 30			1		1	1		
9	1	24101-062054	BEARING #6205			1		1	1		
10	1	26587-080122	SCREW M 8X 12			1		1	1		

Fig.24. CRANKSHAFT & FLYWHEEL

Fig. **24** クランクシャフト&フライホイール
CRANKSHAFT & FLYWHEEL



OCF10-G50602 24. CRANKSHAFT & FLYWHEEL

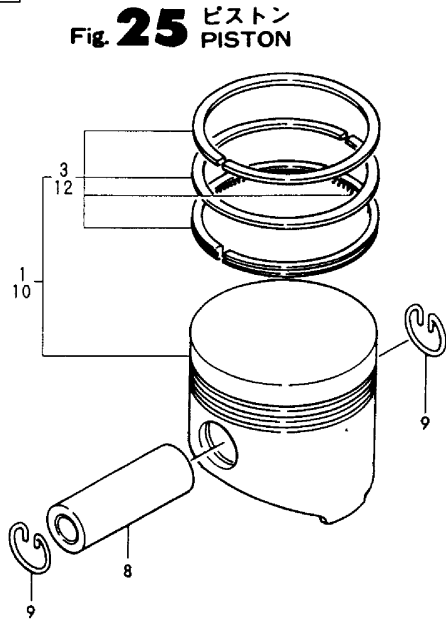
(A)=3GM30
(B)=3GM30VE
(C)=3GM30B

(D)=3GM30C
(E)=3GM30F
(F)=3GM30FVE

REF.	LEV.	PARTS NO.	DESCRIPTION	Q'TY						I	R
				(A)	(B)	(C)	(D)	(E)	(F)		
1	1	721085-21701	CRANKSHAFT ASSY	1	1	1	1	1	1		
4	2	22312-080160	PARALLEL PIN 8X 16	1	1	1	1	1	1		
5	2	22512-070180	KEY 7X 18	1	1	1	1	1	1		
6	2	22512-070180	KEY 7X 18	1	1	1	1	1	1		
7	1	129350-21200	GEAR, CRANKSHAFT	1	1	1	1	1	1		
8	1	121450-21540	NUT, CRANKSHAFT GEAR	1		1	1	1			
8-1	1	121450-21541	NUT, CRANKSHAFT GEAR	1	1	1	1	1	1		N
		(A=*1982.07)	(C=*1982.07)	(D=*1982.07)	(E=*1982.07)						
9	1	128370-21650	V-PULLEY	1	1	1	1	1	1		
10	1	26776-180002	NUT M18,LOCK	1	1	1	1	1	1		
11	1	128371-21590	FLYWHEEL W/RING GEAR	1	1	1	1	1	1		
13	2	124950-21600	GEAR, RING	1	1	1	1	1	1		
14	1	121574-21500	BOLT, REAMER	5	5	5	5	5	5		

Fig.25. PISTON

P/C NEWS No. Y00F5062-2
PUBLISHED: 2000/11



OCF10-G50602 25. PISTON

(A)=3GM30
(B)=3GM30VE
(C)=3GM30B

(D)=3GM30C
(E)=3GM30F
(F)=3GM30FVE

REF.	LEV.	PARTS NO.	DESCRIPTION	Q'TY						I	R
				(A)	(B)	(C)	(D)	(E)	(F)		
1	1	105311-22090	PISTON W/RINGS	3	3	3	3	3	3		
3	2	705311-22500	RING SET	3	3	3	3	3	3		
8	1	105225-22300	PIN, PISTON	3	3	3	3	3	3		
9	1	105225-22400	CIRCLIP	6	6	6	6	6	6		
I 10	1	128171-22250	PISTON W/RINGS OS.25	3	3	3	3	3	3		1
I 12	2	705325-22540	RING SET 025	3	3	3	3	3	3		1

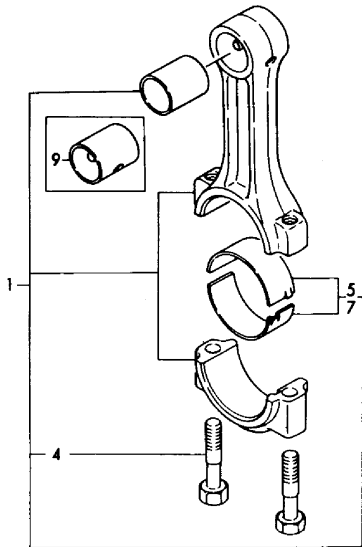
Remarks

(1)OVER SIZED(O.S=0.25)PART.

N:Old $\xrightarrow{\text{Yes}}$ New, Q:Old $\xrightarrow{\text{No}}$ New, R:Old $\xrightarrow{\text{Yes}}$ New, S:Old $\xrightarrow{\text{No}}$ New, W:Add, Z:Discontinued, F:Interchangeable by set, K:Q'ty Change

Fig.26. CONNECTING ROD

Fig. 26 コネクティングロッド
CONNECTING ROD



OCF10-G50602 26. CONNECTING ROD

(A)=3GM30
(B)=3GM30VE
(C)=3GM30B

(D)=3GM30C
(E)=3GM30F
(F)=3GM30FVE

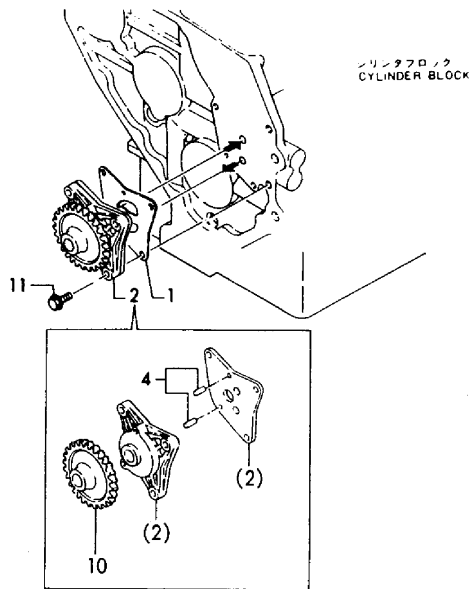
REF.	LEV.	PARTS NO.	DESCRIPTION	Q'TY						I	R
				(A)	(B)	(C)	(D)	(E)	(F)		
1	1	728171-23100	ROD ASSY, CONNECTING	3	3	3	3	3	3		
4	2	105225-23200	BOLT, ROD	6	6	6	6	6	6		
5	2	705311-23600	METAL, CRANKPIN	3	3	3	3	3	3		
7	1	105311-23380	METAL, PIN US=0.25	3	3	3	3	3	3		1
9	1	105225-23180	BUSH, PISTON PIN *	3	3	3	3	3	3		2

Remarks

- (1) UNDER-SIZED PART.
- (2) REPAIR PART.

Fig.27. LUB. OIL PUMP

Fig. 27 潤滑油ポンプ
LUB. OIL PUMP



OCF10-G50602 27. LUB. OIL PUMP

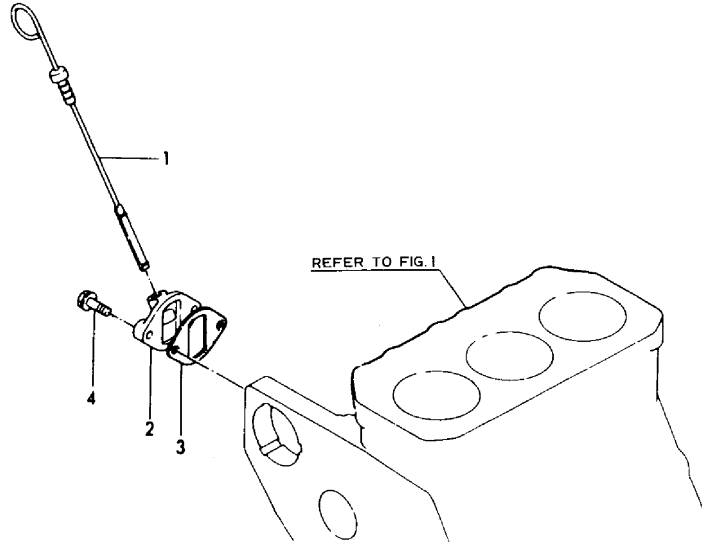
(A)=3GM30
(B)=3GM30VE
(C)=3GM30B

(D)=3GM30C
(E)=3GM30F
(F)=3GM30FVE

REF.	LEV.	PARTS NO.	DESCRIPTION	Q'TY						I	R
				(A)	(B)	(C)	(D)	(E)	(F)		
1	1	121450-32021	GASKET, L.O.PUMP	1	1	1	1	1	1		
2	1	121575-32090	PUMP ASSY, LUB OIL	1	1	1	1	1	1		
4	2	121450-32050	PARALLEL PIN	2		2	2	2			
4-1	2	121450-32050	PARALLEL PIN	1	1	1	1	1	1	1	K
		(A=E02448)	(C=E00158)	(D=E00106)	(E=E02340)						
4A	2	121450-32060	PIN 4X8	1	1	1	1	1	1	1	W
		(A=E02448)	(C=E00158)	(D=E00106)	(E=E02340)						
10	2	121450-32200	GEAR, LUB OIL PUMP	1	1	1	1	1	1	1	
11	1	26013-060222	BOLT M 6X 22	3	3	3	3	3	3	3	

Fig.28. LUB. OIL DIPSTICK

Fig. 28 検油棒
LUB.OIL DIPSTICK



OCF10-G50602 28. LUB. OIL DIPSTICK

(A)=3GM30
(B)=3GM30VE
(C)=3GM30B

(D)=3GM30C
(E)=3GM30F
(F)=3GM30FVE

REF.	LEV.	PARTS NO.	DESCRIPTION	Q'TY						I	R
				(A)	(B)	(C)	(D)	(E)	(F)		
1	1	128370-34800	DIPSTICK, LUB. OIL	1	1	1	1	1	1		
2	1	121575-34830	GUIDE, DIPSTICK	1	1	1	1	1	1		
3	1	124160-34844	GASKET	1		1	1	1			
I	3-1	124160-34845 (A=E11532)	GASKET, (NON-ASB.) (C=E00343)	1	1	1	1	1	1	1	N
			(D=E01203)					(E=E11515)			
4	1	26106-080252	BOLT M 8X 25 PLATED	2	2	2	2	2	2		

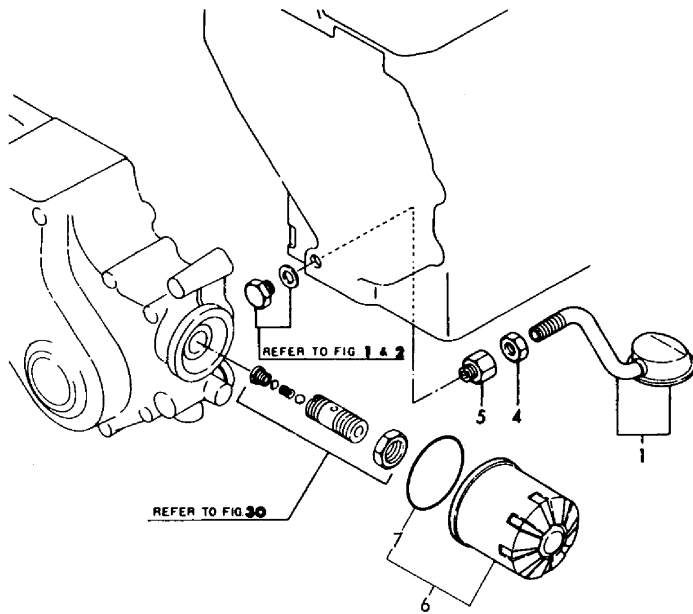
Fig.29. LUB. OIL STRAINER

OCF10-G50602 29. LUB. OIL STRAINER

(A)=3GM30
(B)=3GM30VE
(C)=3GM30B

(D)=3GM30C
(E)=3GM30F
(F)=3GM30FVE

Fig. 29 潤滑油フィルタ
LUB.OIL STRAINER



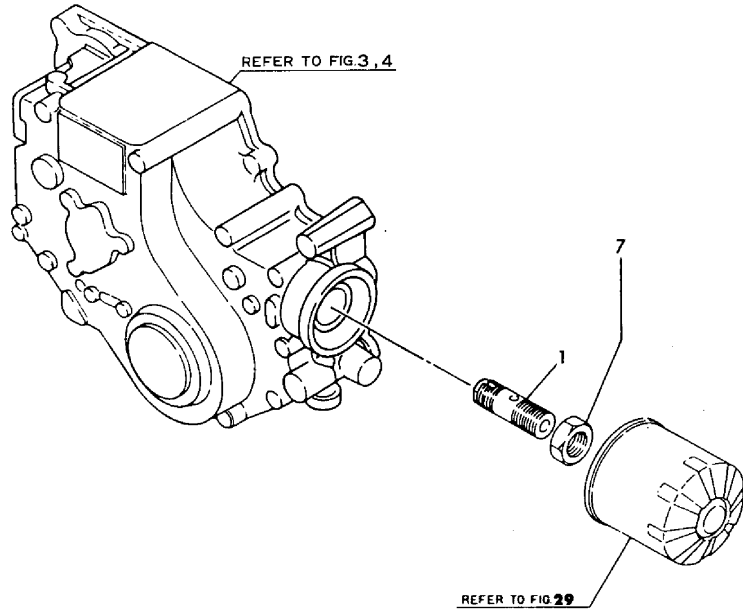
REF.	LEV.	PARTS NO.	DESCRIPTION	Q'TY						I	R	
				(A)	(B)	(C)	(D)	(E)	(F)			
I	1	1	121450-35090	PIPE ASSY, OIL INLET	1	1	1	1	1	1		
I	4	1	124450-35070	NUT PF1/4	1	1	1	1	1	1		
I	5	1	121150-35100	FITTINGS	1	1	1	1	1	1		
	6	1	124450-35100	FILTER, LUB. OIL	1		1	1	1			
I	6-1	1	119660-35150	FILTER, LUB. OIL	1	1	1	1	1	1	N	
		(A=E11532)		(C=E00343)			(D=E01203)		(E=E11515)			
I	7	2	124450-35110	O-RING, L.O.STRAINER	1	1	1	1	1	1	W	
		(A=E00000)		(C=E00000)			(D=E00000)		(E=E00000)			

Fig.30. L.O.PRESS.REGULATING VALVE

(A)=3GM30
(B)=3GM30VE
(C)=3GM30B

(D)=3GM30C
(E)=3GM30F
(F)=3GM30FVE

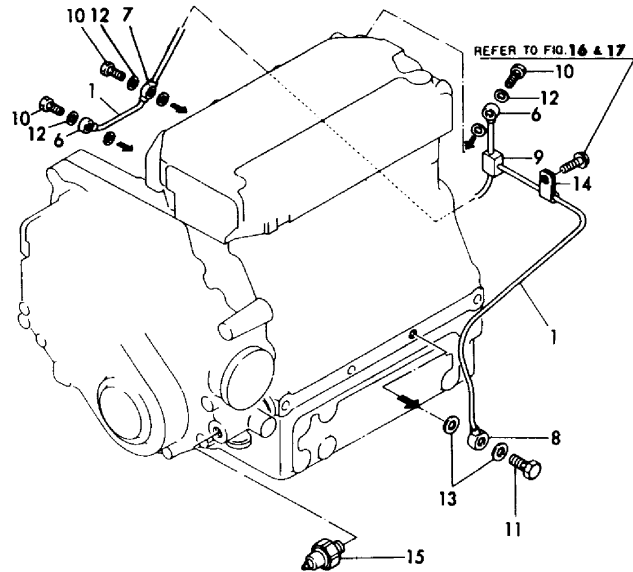
Fig.30 潤滑油調圧弁
L.O.PRESS.REGULATING VALVE



REF.	LEV.	PARTS NO.	DESCRIPTION	Q'TY						I	R
				(A)	(B)	(C)	(D)	(E)	(F)		
1	1	124085-35300	VALVE ASSY, CONTROL	1	1	1	1	1	1		
7	1	124085-35350	LOCK NUT M20	1	1	1	1	1	1		

Fig.31. LUB. OIL LINE

Fig.31 潤滑油パイプ
LUB.OIL PIPE



OCF10-G50602 31. LUB. OIL LINE

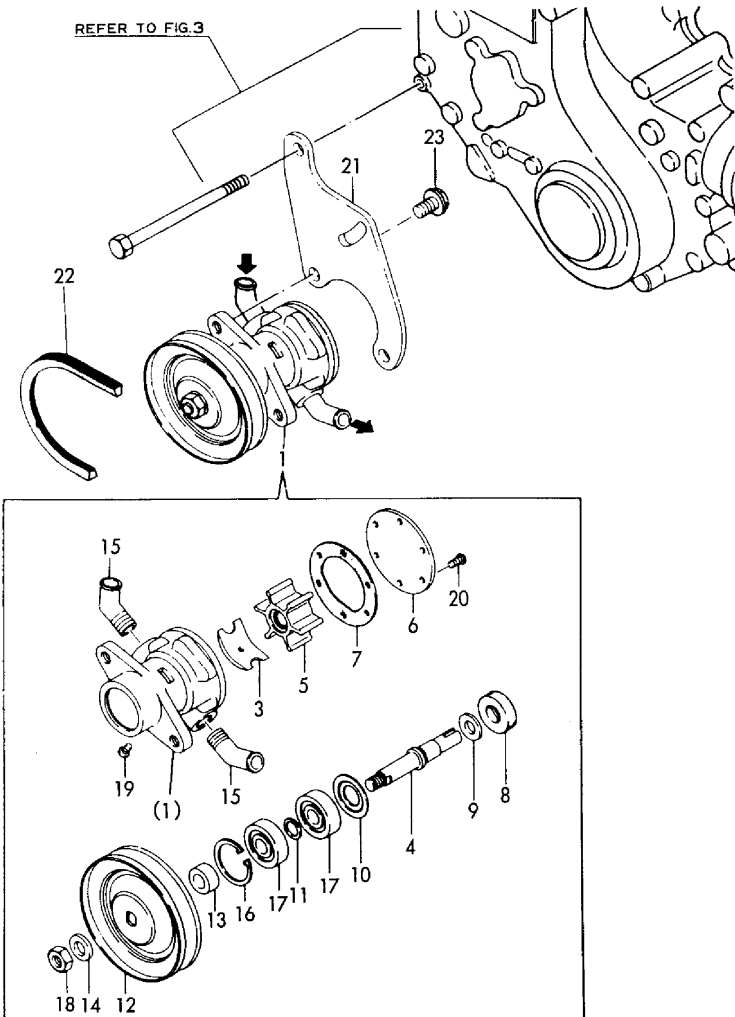
(A)=3GM30
(B)=3GM30VE
(C)=3GM30B

(D)=3GM30C
(E)=3GM30F
(F)=3GM30FVE

REF.	LEV.	PARTS NO.	DESCRIPTION	Q'TY						I	R
				(A)	(B)	(C)	(D)	(E)	(F)		
1	1	128370-39200	PIPE, LUB OIL	1	1	1	1	1	1		
6	2	103288-39170	JOINT 8	2	2	2	2	2	2		
7	2	124450-39180	JOINT	1	1	1	1	1	1		
8	2	124160-39540	JOINT, PIPE 10	1	1	1	1	1	1		
9	2	121750-39550	3-WAY JOINT	1	1	1	1	1	1		
10	1	124550-59820	BOLT 8, PIPE JOINT	3	3	3	3	3	3		
11	1	124160-39140	BOLT 10, PIPE JOINT	1	1	1	1	1	1		
12	1	23414-080000	GASKET 8, ROUND	6	6	6	6	6	6		
13	1	23414-100000	GASKET 10, ROUND	2	2	2	2	2	2		
14	1	124450-39240	RETAINER, PIPE	1	1	1	1	1	1		
15	1	124060-39451	SENDER, OIL PRESSURE	1	1	1	1	1	1		

Fig.32. COOLING SEA WATER PUMP

Fig.32 冷却水ポンプ(海水)
COOLING SEA WATER PUMP



OCF10-G50602 32. COOLING SEA WATER PUMP

(A)=3GM30
(B)=3GM30VE
(C)=3GM30B

(D)=3GM30C
(E)=3GM30F
(F)=3GM30FVE

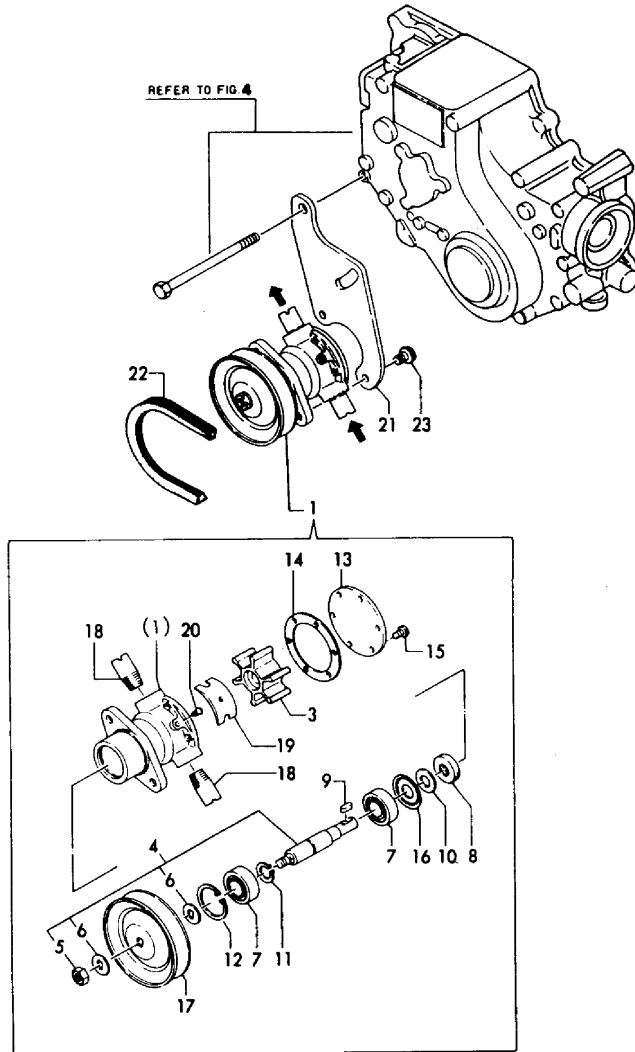
REF.	LEV.	PARTS NO.	DESCRIPTION	Q'TY						I	R
				(A)	(B)	(C)	(D)	(E)	(F)		
1	1	128270-42000	PUMP ASSY, C. WATER	1	1	1	1				
3	2	104211-42050	CAM	1	1	1	1				
4	2	124070-42060	SHAFT, IMPELLER	1	1	1	1				
5	2	104211-42070	IMPELLER, C. WATER	1	1	1	1				
6	2	104211-42080	COVER, C.W. PUMP	1	1	1	1				
7	2	104211-42090	GASKET	1	1	1	1				
8	2	104211-42100	SEAL TC10 25 7, OIL	1	1	1	1				
9	2	104211-42110	RING, WATER SEAL	1	1	1	1				
10	2	104211-42120	RETAINER	1	1	1	1				
11	2	104211-42130	SPACER	1	1	1	1				
12	2	124070-42400	V-PULLEY, C.W. PUMP	1	1	1	1				
13	2	124070-42410	COLLAR	1	1	1	1				
14	2	124070-42420	WASHER	1	1	1	1				
15	2	128270-49300	ELBOW 1/4	2	2	2	2				
16	2	22252-000300	CIRCLIP 30	1	1	1	1				
17	2	24107-062004	BALL BEARING	2	2	2	2				
18	2	26347-080002	U-NUT M 8	1	1	1	1				
19	2	26554-040062	SCREW M 4X 6	1	1	1	1				
20	2	26554-040082	SCREW M 4X 8	6	6	6	6				
21	1	128270-42150	BRACKET, C.W. PUMP	1	1	1	1				
22	1	104511-78780	V-BELT	1	1	1	1				
23	1	26106-080122	BOLT M 8X 12 PLATED	2	2	2	2				

Fig.33. COOLING SEA WATER PUMP

(A)=3GM30
(B)=3GM30VE
(C)=3GM30B

(D)=3GM30C
(E)=3GM30F
(F)=3GM30FVE

Fig. 33 冷却水ポンプ(海水)
COOLING SEA WATER PUMP



REF.	LEV.	PARTS NO.	DESCRIPTION	Q'TY						I	R
				(A)	(B)	(C)	(D)	(E)	(F)		
1	1	121575-42000	PUMP ASSY, C.S.W.					1	1		
3	2	124223-42091	IMPELLER, C. WATER					1	1		
4	2	121575-42020	SHAFT, IMPELLER					1	1		
5	3	26347-080002	U-NUT M 8					1	1		
6	3	124070-42420	WASHER					2	2		
7	2	24107-062024	BALL BEARING					2	2		
8	2	124223-42080	SEAL TC13 28 7, OIL					1	1		
9	2	124223-42040	KEY					1	1		
10	2	124223-42070	PIECE					1	1		
11	2	22242-000150	CIRCLIP 15					1	1		
12	2	22252-000350	CIRCLIP 35					1	1		
13	2	121575-42150	COVER					1	1		
14	2	124223-42110	GASKET					1	1		
15	2	26554-040082	SCREW M 4X 8					6	6		
16	2	121575-42120	COVER					1	1		
17	2	124070-42400	V-PULLEY, C.W. PUMP					1	1		
18	2	121575-49300	JOINT PT 3/8					2	2		
19	2	124323-42100	CAM, IMPELLER					1	1		
20	2	26554-040102	SCREW M 4X 10					1	1		
21	1	128270-42150	BRACKET, C.W. PUMP					1	1		
22	1	104511-78780	V-BELT					1	1		
23	1	26106-080122	BOLT M 8X 12 PLATED					2	2		

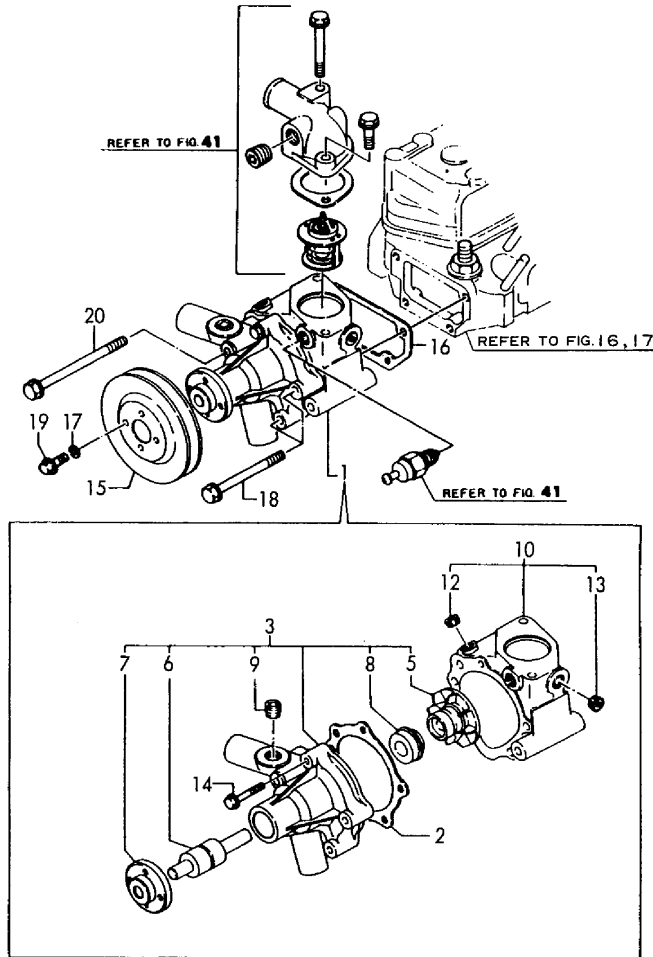
Fig.34. COOLING FRESH WATER PUMP

34. COOLING FRESH WATER PUMP

(A)=3GM30
(B)=3GM30VE
(C)=3GM30B

(D)=3GM30C
(E)=3GM30F
(F)=3GM30FVE

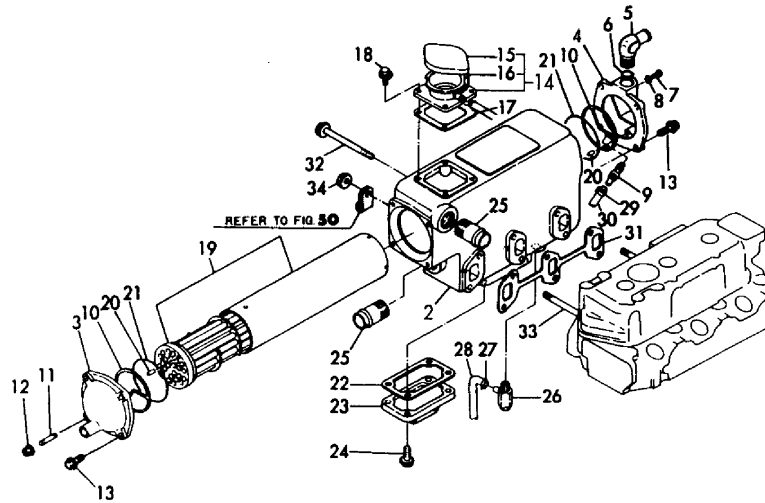
Fig. 34 冷却水ポンプ(清水)
COOLING FRESH WATER PUMP



REF.	LEV.	PARTS NO.	DESCRIPTION	Q'TY						I	R	
				(A)	(B)	(C)	(D)	(E)	(F)			
1	1	128695-42010	PUMP ASSY, C.F.W.					1			1	
2	2	121000-42051	GASKET, C.W.PUMP					1			1	
3	2	121000-42100	PUMP ASSY, C. WATER					1			1	
5	3	129350-42200	IMPELLER					1			1	
6	3	121450-42240	SHAFT, IMPELLER					1			1	
7	3	121450-42260	FLANGE, V-PULLEY					1			1	
8	3	121450-42310	SEAL, MECHANICAL					1			1	
9	3	23871-030000	PLUG PT3/8,SCREW					1			1	
10	2	728695-43500	BRACKET ASSY, PUMP					1			1	
12	3	23871-020000	PLUG PT1/4,SCREW					1			1	
13	3	23871-030000	PLUG PT3/8,SCREW					1			1	
14	2	26106-060322	BOLT M 6X 32 PLATED					1			1	
15	1	128695-42350	V-PULLEY					1			1	
16	1	121450-44410	GASKET, BRACKET					1			1	
17	1	22217-060000	SPRING WASHER 6					4			4	
18	1	26106-080902	BOLT M 8X 90 PLATED					3			3	
19	1	26106-060102	BOLT M 6X 10 PLATED					4			4	
20	1	26106-081102	BOLT M 8X110 PLATED					1			1	

Fig.35. COOLING FRESH WATER COOLER

Fig.35 清水クーラ
COOLING FRESH WATER COOLER



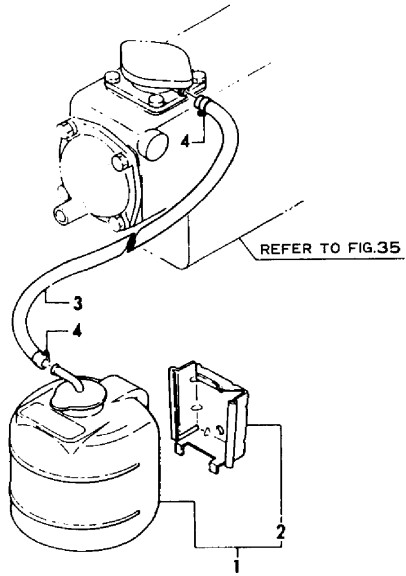
(A)=3GM30
(B)=3GM30VE
(C)=3GM30B

(D)=3GM30C
(E)=3GM30F
(F)=3GM30FVE

REF.	LEV.	PARTS NO.	DESCRIPTION	Q'TY						I	R	
				(A)	(B)	(C)	(D)	(E)	(F)			
1	1	728390-44500	EXCHANGER ASSY, HEAT							1		
I 1-1	1	128390-44900	EXCHANGER ASSY, HEAT							1	1	N
				(E=E11046)								
2	2	128390-44010	TANK, HEAT EXCHANGER							1	1	
3	2	128695-44050	COVER, SIDE							1	1	
4	2	128690-44060	COVER, OUTLET							1	1	
5	2	128690-49310	ELBOW							1	1	
6	2	24311-000160	O-RING 1A P-16.0							1	1	
7	2	26554-050102	SCREW M 5X 10							1	1	
8	2	23414-050000	GASKET 5							1	1	
9	2	128695-44090	COCK PT1/8							1	1	
10	2	128695-44070	GASKET							2	2	
11	2	26216-060182	STUD M 6X 18 PLATED							1	1	
12	2	26366-060002	NUT M 6							1	1	
13	2	26106-060182	BOLT M 6X 18 PLATED							7	7	
14	2	123682-44190	FILLER W/BALL							1	1	
15	3	123682-44210	CAP							1	1	
16	3	123682-44220	CHAIN							1	1	
17	2	123682-44200	GASKET							1		
I 17-1	2	123682-44201	GASKET, (NON-ASB.)							1	1	N
				(E=E11515)								
18	2	26106-060142	BOLT M 6X 14 PLATED							4	4	
19	2	128390-44401	CORE ASSY, COOLER							1	1	
20	2	124790-44470	PIN							2	2	
21	2	24311-000700	O-RING 1A P-70.0							2	2	
22	2	128390-44490	GASKET							1		
I 22-1	2	128390-44491	GASKET, (NON-ASB.)							1	1	N
				(E=E11515)								
23	2	128390-44480	COVER, TANK							1	1	
24	2	26106-080202	BOLT M 8X 20 PLATED							4	4	
25	2	124160-49480	JOINT, PIPE							2	2	
26	2	120130-49350	COCK 1/4							1	1	
27	1	124460-77680	RETAINER							1	1	
28	1	23061-070300	PIPE 7X 300							1	1	
29	1	124722-59050	CLAMP 9							1		
I 29-1	1	124460-77680	RETAINER							1	1	N
				(E=E13317)								
30	1	23061-070300	PIPE 7X 300							1	1	
31	1	121450-13250	GASKET, EXH.MANIFOLD							1		
I 31-1	1	121450-13251	GASKET, (NON-ASB.)							1	1	N
				(E=E11515)								
32	1	26106-080902	BOLT M 8X 90 PLATED							4	4	
33	1	26216-080902	STUD M 8X 90 PLATED							2	2	
34	1	26366-080002	NUT M 8							2	2	

Fig.36. SUBTANK

Fig. 36 サブタンク
SUB TANK



OCF10-G50602 36. SUBTANK

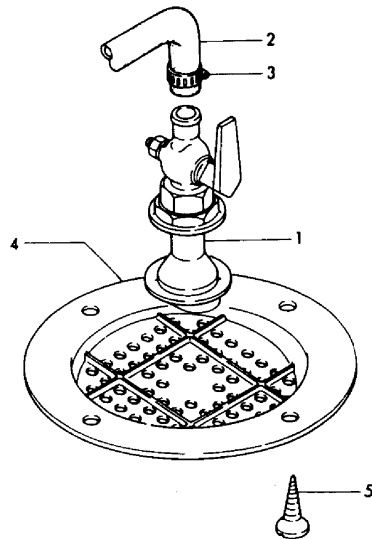
(A)=3GM30
(B)=3GM30VE
(C)=3GM30B

(D)=3GM30C
(E)=3GM30F
(F)=3GM30FVE

REF.	LEV.	PARTS NO.	DESCRIPTION	Q'TY						I	R	
				(A)	(B)	(C)	(D)	(E)	(F)			
1	1	120445-44530	SUB RESERVOIR ASSY					1			1	
2	2	120445-44540	BRACKET, SUB-TANK					1			1	
3	1	124790-44560	PIPE, C. WATER					1			1	
4	1	23010-013000	CLAMP 13					2			2	

Fig.37. KINGSTON COCK

Fig. **37** キングストーンコック
KINGSTON COCK



(A)=3GM30
(B)=3GM30VE
(C)=3GM30B

(D)=3GM30C
(E)=3GM30F
(F)=3GM30FVE

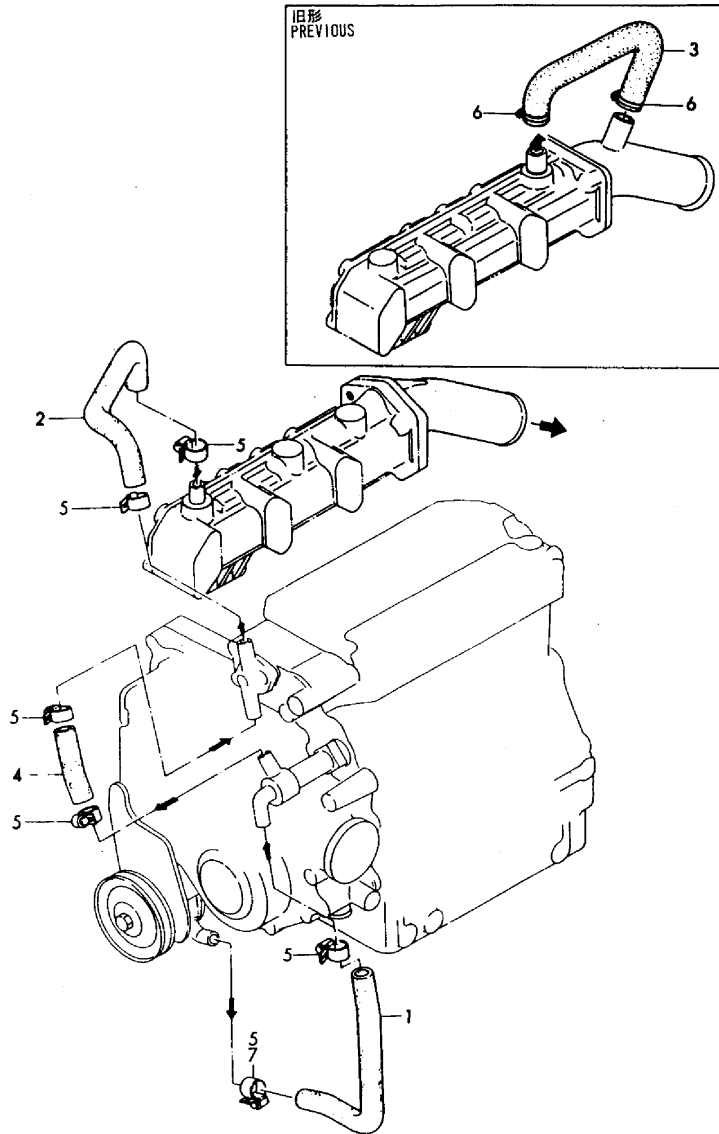
REF.	LEV.	PARTS NO.	DESCRIPTION	Q'TY						I	R
				(A)	(B)	(C)	(D)	(E)	(F)		
1	1	43662-010030	COCK ASSY, SEA WATER	1	1	1					1
2	1	104211-49080	PIPE, COOLING WATER	1	1	1					1
3	1	23000-022000	CLAMP 22	3	3	3					1
4	1	43666-020951	COVER, STRAINER	1	1	1					1
5	1	22724-800380	SCREW 8X 38	4	4	4					1

Remarks

1)OPTIONAL FOR 3GM30 & 3GM30VE

Fig.38. COOLING SEA WATER LINE

Fig.38 冷却水パイプ (海水)
COOLING SEA WATER PIPE



OCF10-G50602 38. COOLING SEA WATER LINE

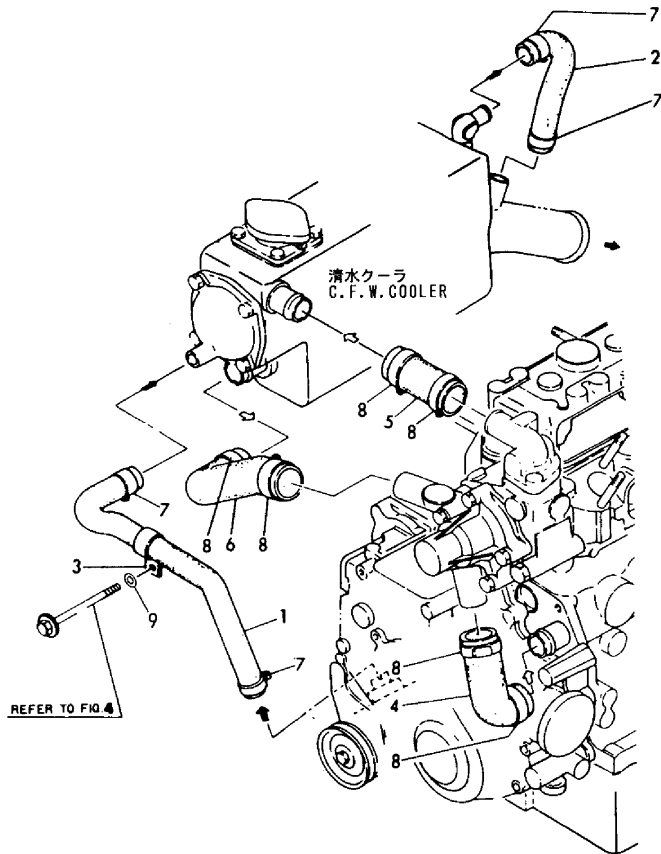
(A)=3GM30
(B)=3GM30VE
(C)=3GM30B

(D)=3GM30C
(E)=3GM30F
(F)=3GM30FVE

REF.	LEV.	PARTS NO.	DESCRIPTION	Q'TY						I	R
				(A)	(B)	(C)	(D)	(E)	(F)		
1	1	128270-49010	PIPE, COOLING WATER	1		1	1				
1A	1	121370-49040	PIPE, COOLING WATER		1						
2	1	128370-49020	PIPE, COOLING WATER	1	1	1	1				
3	1	121370-49040 (A=E01538)	PIPE, COOLING WATER (C=E00133) (D=E00212)	1		1	1				Z
4	1	128270-49050	PIPE, COOLING WATER	1	1	1	1				
5	1	23000-022000	CLAMP 22	6	4	6	6				
6	1	23000-025000 (A=E01538)	CLAMP 25 (C=E00133) (D=E00212)	2		2	2				Z
7	1	23000-025000	CLAMP 25		2						

Fig.39. COOLING FRESH WATER LINE

Fig.39 冷却水パイプ(清水)
COOLING FRESH WATER PIPE



OCF10-G50602 39. COOLING FRESH WATER LINE

(A)=3GM30
(B)=3GM30VE
(C)=3GM30B

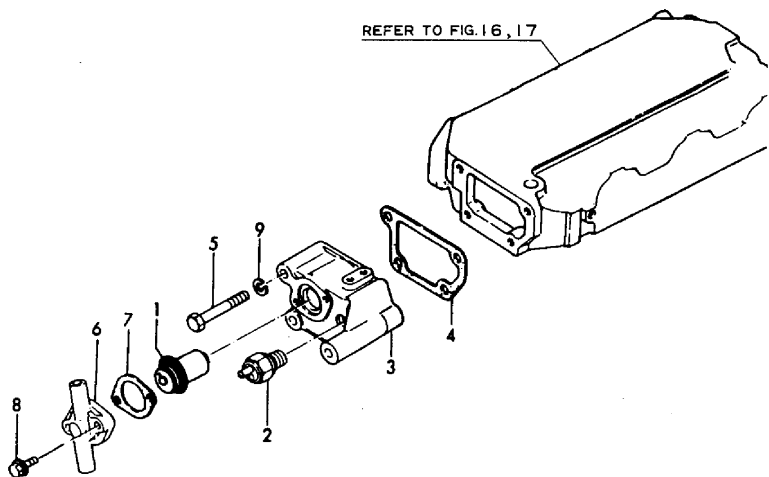
(D)=3GM30C
(E)=3GM30F
(F)=3GM30FVE

REF.	LEV.	PARTS NO.	DESCRIPTION	Q'TY						I	R	
				(A)	(B)	(C)	(D)	(E)	(F)			
1	1	128690-49010	PIPE (B), C. WATER					1				
1A	1	128291-49020	PIPE B								1	
2	1	124770-49040	PIPE, COOLING WATER					1			1	
3	1	121575-49310	CLAMP					1			1	
4	1	128290-49510	PIPE, COOLING WATER					1			1	
5	1	128695-49520	PIPE (E), C. WATER					1			1	
6	1	128695-49530	PIPE (F), C. WATER					1			1	
7	1	23000-025000	CLAMP 25								4	4
8	1	23000-041000	CLAMP 41								6	6
9	1	22137-060000	WASHER 6, POLISHED					1			1	W

(E=EXXX)

Fig.40. THERMOSTAT

Fig. **40** サーモスタット
THERMOSTAT



OCF10-G50602 40. THERMOSTAT

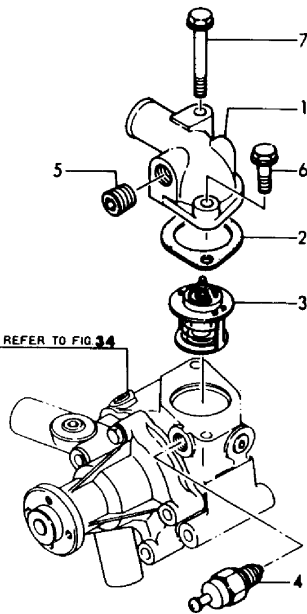
(A)=3GM30
(B)=3GM30VE
(C)=3GM30B

(D)=3GM30C
(E)=3GM30F
(F)=3GM30FVE

REF.	LEV.	PARTS NO.	DESCRIPTION	Q'TY						I	R
				(A)	(B)	(C)	(D)	(E)	(F)		
1	1	105582-49200	THERMOSTAT	1	1	1	1				
2	1	128275-91340	SWITCH, THERMO(65 C	1	1	1	1				
3	1	128270-49100	BRACKET, THERMOSTAT	1	1	1	1				
4	1	121450-44410	GASKET, BRACKET	1	1	1	1				
5	1	26116-080602	BOLT M 8X 60 PLATED	4	4	4	4				
6	1	128170-49150	COVER, THERMOSTAT	1	1	1	1				
7	1	104211-49160	PACKING	1	1	1	1				
8	1	26106-060182	BOLT M 6X 18 PLATED	2	2	2	2				
9	1	22217-080000	SPRING WASHER 8	4	4	4	4				

Fig.41. THERMOSTAT

Fig. **41** サーモスタット
THERMOSTAT



OCF10-G50602 41. THERMOSTAT

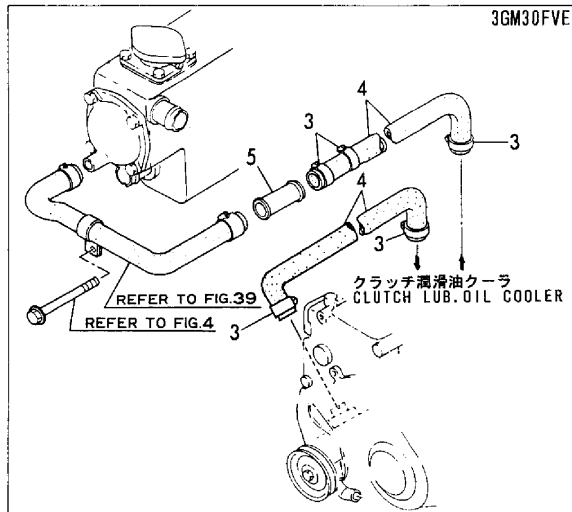
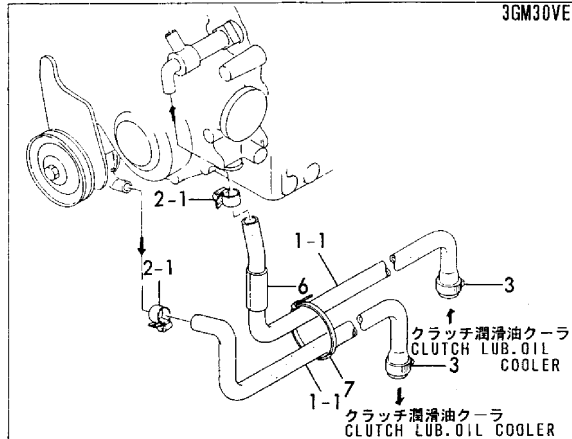
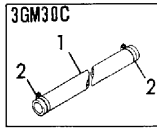
(A)=3GM30
(B)=3GM30VE
(C)=3GM30B

(D)=3GM30C
(E)=3GM30F
(F)=3GM30FVE

REF.	LEV.	PARTS NO.	DESCRIPTION	Q'TY						I	R
				(A)	(B)	(C)	(D)	(E)	(F)		
1	1	128690-49530	COVER, THERMOSTAT					1			
1-1	1	124101-49530	COVER, THERMOSTAT					1	1	S	
				(E=E04946)							
2	1	129350-49540	GASKET, THERMO.					1			
2-1	1	124736-49540	GASKET, THERMO.					1	1	S	
				(E=EXXX)							
3	1	121750-49800	THERMOSTAT					1	1		
4	1	127610-91350	SWITCH, THERMO					1	1		
5	1	23873-030000	PLUG PT 3/8					1		Z	
				(E=EXXX)							
6	1	26106-080302	BOLT M 8X 30 PLATED					1	1		
7	1	26106-080652	BOLT M 8X 65 PLATED					1	1		

Fig.42. COOLING SEA WATER LINE(OPTIONAL)

Fig. **42** 冷却水パイプ(海水) (オプション)
COOLING SEA WATER PIPE (OPTIONAL)



OCF10-G50602 42. COOLING SEA WATER LINE(OPTIONAL)

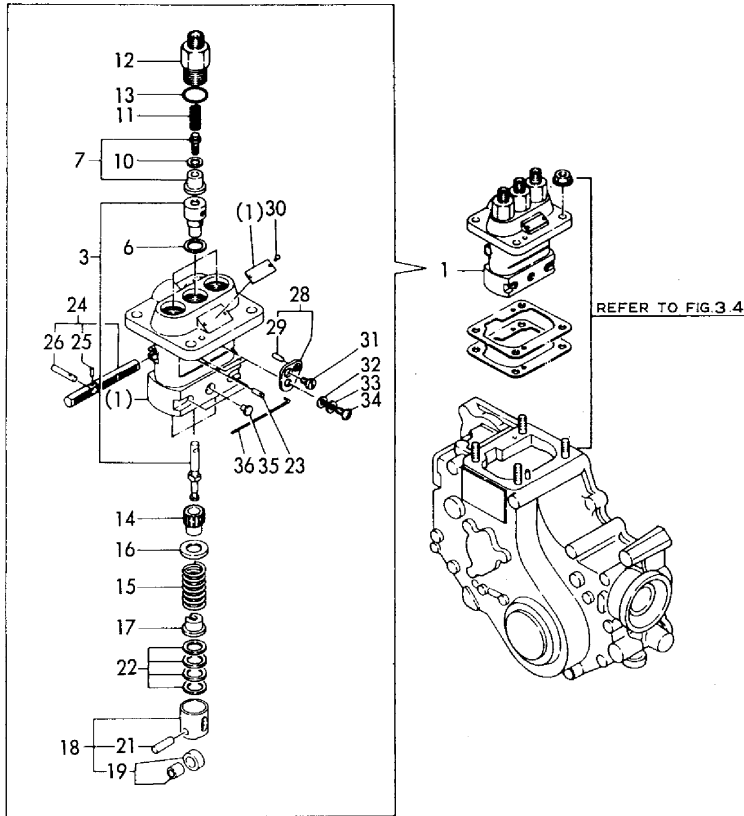
(A)=3GM30
(B)=3GM30VE
(C)=3GM30B

(D)=3GM30C
(E)=3GM30F
(F)=3GM30FVE

REF.	LEV.	PARTS NO.	DESCRIPTION	Q'TY						I	R
				(A)	(B)	(C)	(D)	(E)	(F)		
I	1	128170-49080	PIPE, COOLING WATER				1				
	1-1	128170-49081	PIPE, COOLING WATER (D=E00212)		2		1				N
I	2	23000-022000	CLAMP 22						2		
	2-1	23000-022000	CLAMP 22 (D=E00212)		2		1				K
3	1	23000-025000	CLAMP 25		2		1			5	
4	1	124223-49050	PIPE, COOLING WATER							2	
5	1	128291-49250	JOINT							1	
6	1	128271-49450	PROTECTOR		1						
7	1	121750-59890	RETAINER		1						

Fig.43. FUEL INJECTION PUMP

Fig. 43 燃料噴射ポンプ
FUEL INJECTION PUMP



OCF10-G50602 43. FUEL INJECTION PUMP

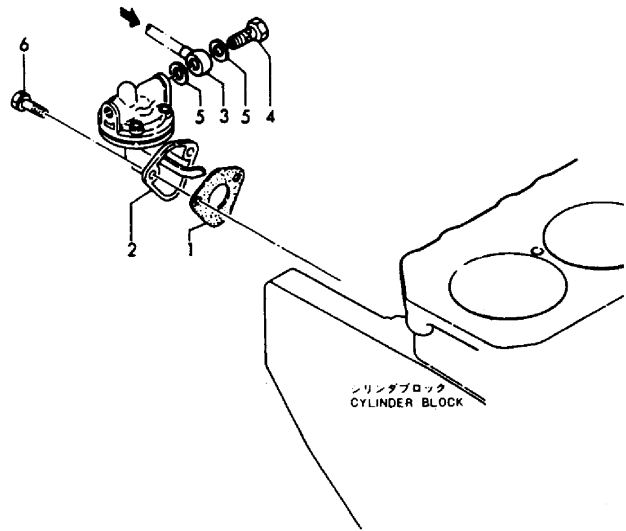
(A)=3GM30
(B)=3GM30VE
(C)=3GM30B

(D)=3GM30C
(E)=3GM30F
(F)=3GM30FVE

REF.	LEV.	PARTS NO.	DESCRIPTION	QTY						I	R
				(A)	(B)	(C)	(D)	(E)	(F)		
1	1	728374-51100	PUMP ASSY. F.INJECT.	1	1	1	1				
I 1-1	1	728374-51101 (A=E13959)	PUMP ASSY. F.INJECT. (C=E00394) (D=E01583)	1	1	1	1	1	1	1	N
3	2	128170-51101	PLUNGER W/BARREL	3	3	3	3	3	3		
6	2	124950-51270	GASKET	3	3	3	3	3	3		
7	2	128170-51300	VALVE W/SEAT, DELIV.	3		3	3	3			
I 7-1	2	105500-51300 (A=E13959)	VALVE W/SEAT, DELIV. (C=E00394) (D=E01583)	3	3	3	3	3	3	3	N
10	2	124550-51350	GASKET, DELIVERY	3	3	3	3	3	3		
11	2	124550-51320	SPRING, DELIV. VALVE	3	3	3	3	3	3		
12	2	124550-51341	RETAINER	3	3	3	3	3	3		
13	2	124550-51370	O-RING, DELIVERY	3	3	3	3	3	3		
14	2	124950-51510	PINION	3	3	3	3	3	3		
15	2	124950-51190	SPRING, PLUNGER	3	3	3	3	3	3		
16	2	174307-51170	RETAINER A	3	3	3	3	3	3		
17	2	174307-51181	RETAINER B	3	3	3	3	3	3		
18	2	124550-51200	TAPPET	3	3	3	3	3	3		
19	3	111100-51220	ROLLER	3	3	3	3	3	3		
21	3	174100-54120	PIN, ROLLER	3	3	3	3	3	3		
22	2	174307-51700	SHIM SET	3	3	3	3	3	3		
23	2	103854-51251	PIN, PLUNGER	1	1	1	1	1	1		
24	2	121450-51500	RACK, CONTROL	1	1	1	1	1	1		
25	3	121450-51550	PIN	1	1	1	1	1	1		
26	3	124550-51590	LOCKER	1	1	1	1	1	1		
28	2	124950-51640	SHIM SET, CONTROL	2	2	2	2	2	2		
29	3	124950-51670	PIN	2	2	2	2	2	2		
30	2	124220-51890	RIVET, LABEL	2	2	2	2	2	2		
31	2	103854-51660	SCREW	2	2	2	2	2	2		
I 32	2	22117-050000 (A=E0000)	WASHER 5 (C=E0000) (D=E0000)	2	2	2	2	2	2		Z
I 33	2	22217-050000 (A=E0000)	SPRING WASHER 5 (C=E0000) (D=E0000)	2	2	2	2	2	2		Z
34	2	26587-050102	SCREW M 5X 10	2	2	2	2	2	2		
I 34-1	2	26033-050102 (A=E0000)	SCREW M 5X 10 (C=E0000) (D=E0000)	2	2	2	2	2	2	2	N
35	2	124950-51450	PIECE, GUIDE	3	3	3	3	3	3		
36	2	121150-51460	PIN	1	1	1	1	1	1		

Fig.44. FUEL FEED PUMP

Fig. 44 燃料フィードポンプ
FUEL FEED PUMP



OCF10-G50602 44. FUEL FEED PUMP

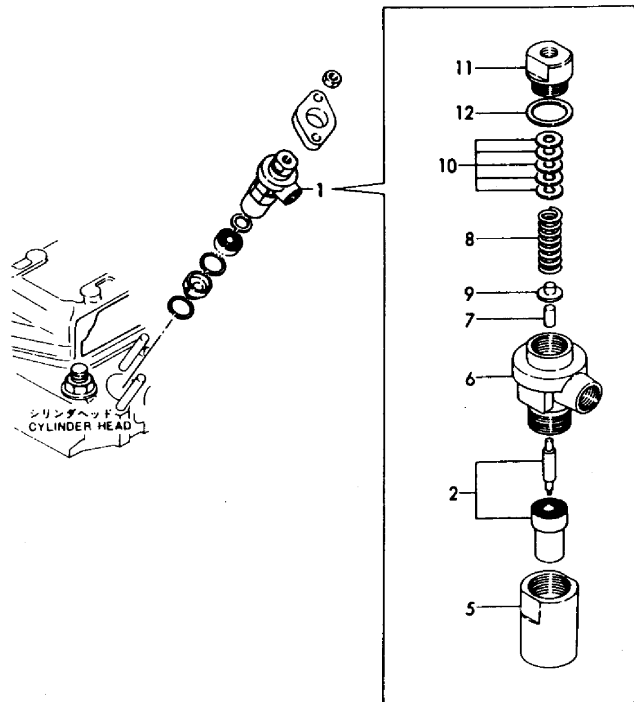
(A)=3GM30
(B)=3GM30VE
(C)=3GM30B

(D)=3GM30C
(E)=3GM30F
(F)=3GM30FVE

REF.	LEV.	PARTS NO.	DESCRIPTION	Q'TY						I	R	
				(A)	(B)	(C)	(D)	(E)	(F)			
1	1	121520-01850	GASKET, F.FEED PUMP	1		1	1	1				
1-1	1	121520-01851	GASKET, (NON-ASB.)	1	1	1	1	1	1		N	
		(A=E10103)	(C=E00309)	(D=E01060)	(E=E10104)							
2	1	129301-52020	PUMP ASSY, FUEL FEED	1	1	1	1	1	1			
3	1	104264-59030	JOINT 8, PIPE	1	1	1	1	1	1			
4	1	105582-59150	BOLT, PIPE JOINT	1	1	1	1	1	1			
5	1	23414-080000	GASKET 8, ROUND	2	2	2	2	2	2			
6	1	26013-060162	BOLT M 6X 16	2	2	2	2	2	2			

Fig.45. FUEL INJECTION VALVE

Fig. 45 燃料噴射弁
FUEL INJECTION VALVE



OCF10-G50602 45. FUEL INJECTION VALVE

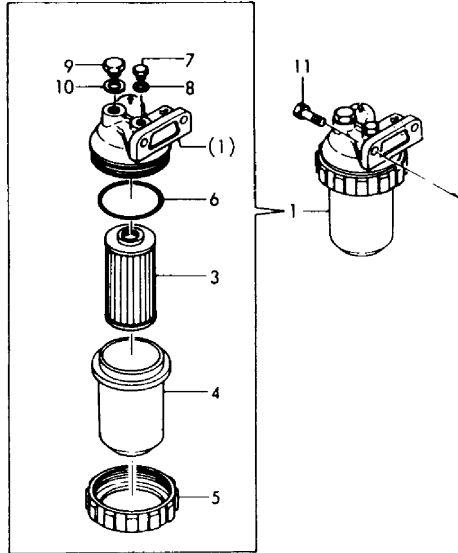
(A)=3GM30
(B)=3GM30VE
(C)=3GM30B

(D)=3GM30C
(E)=3GM30F
(F)=3GM30FVE

REF.	LEV.	PARTS NO.	DESCRIPTION	Q'TY						I	R
				(A)	(B)	(C)	(D)	(E)	(F)		
1	1	728170-53100	VALVE ASSY, F.INJECT	3	3	3	3	3	3		
2	2	124770-53000	NOZZLE ASSY,F.INJECT	3	3	3	3	3	3		
5	2	128170-53080	HOLDER, VALVE W/CASE	3	3	3	3	3	3		
6	2	103854-53100	BODY, F.I. VALVE	3	3	3	3	3	3		
7	2	113200-53110	SPINDLE, INTER	3	3	3	3	3	3		
8	2	104211-53120	SPRING, NOZZLE	3	3	3	3	3	3		
9	2	113200-53120	SHOE, SPRING	3	3	3	3	3	3		
10	2	110250-53150	SHIM SET	3	3	3	3	3	3		
11	2	103854-53180	RETAINER, NOZ.SPRING	3	3	3	3	3	3		
12	2	172100-53200	GASKET	3	3	3	3	3	3		

Fig.46. FUEL STRAINER

Fig. 46 燃料フィルタ FUEL STRAINER



OCF10-G50602 46. FUEL STRAINER

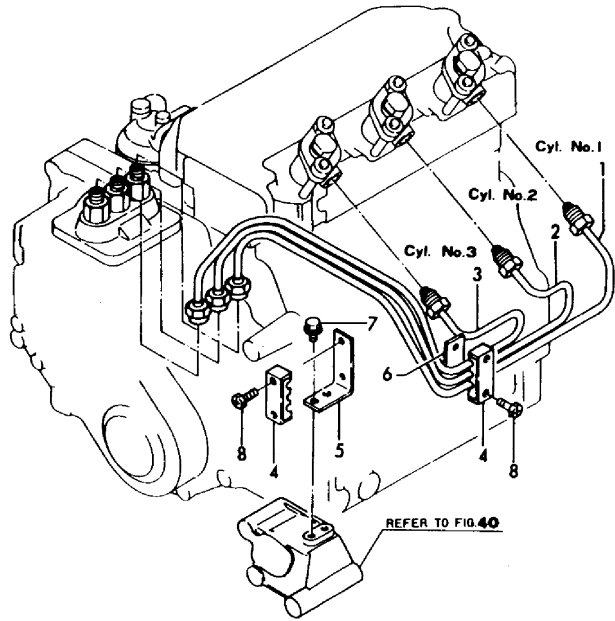
(A)=3GM30
(B)=3GM30VE
(C)=3GM30B

(D)=3GM30C
(E)=3GM30F
(F)=3GM30FVE

REF.	LEV.	PARTS NO.	DESCRIPTION	Q'TY						I	R
				(A)	(B)	(C)	(D)	(E)	(F)		
1	1	124790-55601	STRAINER ASSY, FUEL	1	1	1	1	1	1		
3	2	104500-55710	ELEMENT, FUEL	1	1	1	1	1	1		
4	2	121370-55730	CUP, STRAINER	1	1	1	1	1	1		
5	2	110250-55610	RING, RETAINING	1	1	1	1	1	1		
6	2	24341-000440	O-RING 1A S-44.0	1	1	1	1	1	1		
7	2	101720-55750	PLUG 6	1	1	1	1	1	1		
8	2	23418-060000	GASKET 6, NYLON	1	1	1	1	1	1		
9	2	135210-51900	PLUG	1	1	1	1	1	1		
10	2	23414-080012	GASKET 8	1	1	1	1	1	1		
11	1	26013-060162	BOLT M 6X 16	2	2	2	2	2	2		

Fig.47. FUEL INJECTION LINE

Fig.47 燃料噴射パイプ
FUEL INJECTION PIPE



OCF10-G50602 47. FUEL INJECTION LINE

(A)=3GM30
(B)=3GM30VE
(C)=3GM30B

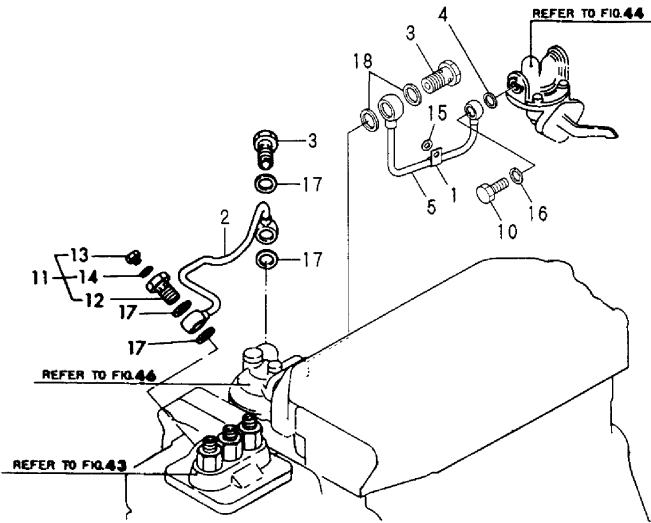
(D)=3GM30C
(E)=3GM30F
(F)=3GM30FVE

REF.	LEV.	PARTS NO.	DESCRIPTION	Q'TY						I	R
				(A)	(B)	(C)	(D)	(E)	(F)		
I	1	128370-59810	PIPE (A), F. INJECT.	1	1	1	1				
I	2	128370-59820	PIPE (B), F. INJECT.	1	1	1	1				
I	3	128370-59830	PIPE (C), F. INJECT.	1	1	1	1				
	4	123372-59100	CLAMP	2	2	2	2				
I	5	121450-59850	BRACKET (A)	1	1	1	1				
	6	121250-59860	RETAINER (B)	1	1	1	1				
I	7	26106-060122	BOLT M 6X 12 PLATED	2	2	2	2				
I	8	121465-59950	BOLT M 6X 16, PLATED	4	4	4	4				

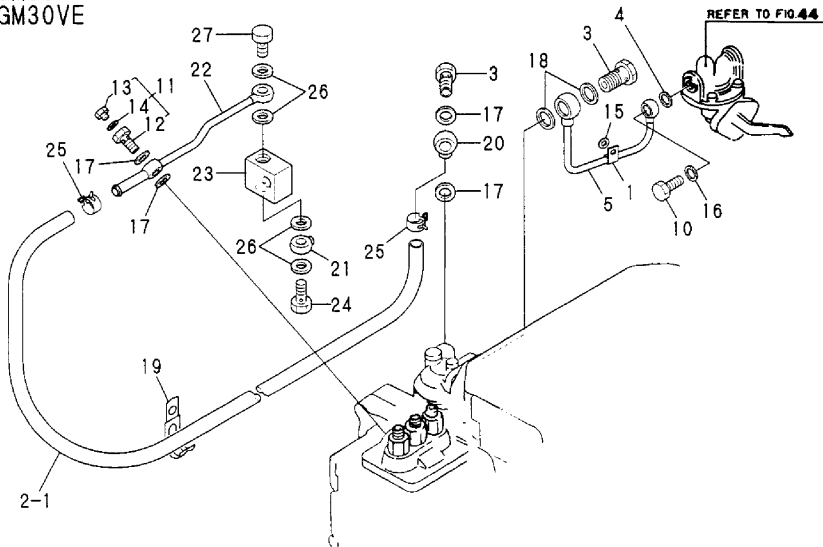
Fig.49. FUEL LINE

P/O NEWS No. Y00F5062-2
PUBLISHED: 2000/11

Fig.49 燃料パイプ
FUEL PIPE



3GM30
3GM30VE



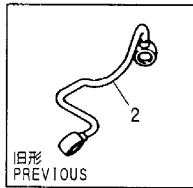
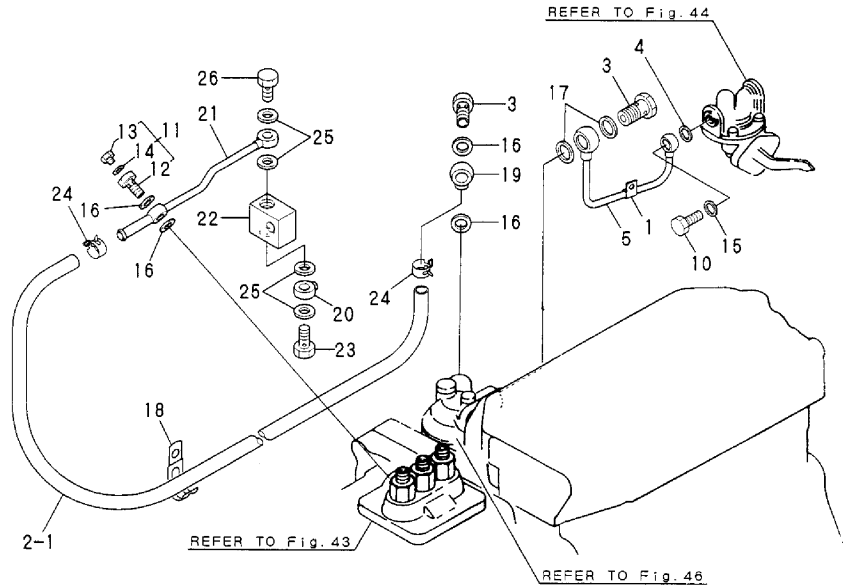
(A)=3GM30
(B)=3GM30VE
(C)=3GM30B
(D)=3GM30C
(E)=3GM30F
(F)=3GM30FVE

REF.	LEV.	PARTS NO.	DESCRIPTION	Q'TY						I	R
				(A)	(B)	(C)	(D)	(E)	(F)		
1	1	124450-39240	RETAINER, PIPE	1	1	1	1				
2	1	128370-59010	PIPE (A) ASSY, FUEL	1	1	1	1				
I	2-1	119173-59120	PIPE	1	1						S
		(A=*1997.01) (B=*1997.01)									
3	1	23857-060000	JOINT BOLT 6	2	2	2	2				
4	1	104884-59170	GASKET	1	1	1	1				
5	1	128370-59081	PIPE, FUEL OIL (B)	1	1	1	1				
10	1	105582-59150	BOLT, PIPE JOINT	1	1	1	1				
11	1	103854-59191	BOLT W/PLUG & SEAL	1	1	1	1				
12	2	103854-59201	BOLT, JOINT	1	1	1	1				
13	2	124060-59380	PLUG	1	1	1	1				
14	2	22190-060002	SEAL WASHER 6S	1	1	1	1				
I	15	22117-080000	WASHER 8	1	1	1	1				Z
		(A=*1997.01) (B=*1997.01) (C=*1997.01) (D=*1997.01)									
16	1	23414-080000	GASKET 8, ROUND	1	1	1	1				
I	16-1	22190-080002	SEAL WASHER 8S	1	1	1	1				N
		(A=*2000.03) (B=*2000.03) (C=*2000.03) (D=*2000.03)									
17	1	23414-120000	GASKET 12, ROUND	4	4	4	4				
I	17-1	22190-120002	SEAL WASHER 12	4	4	4	4				N
		(A=*2000.03) (B=*2000.03) (C=*2000.03) (D=*2000.03)									
18	1	23414-120000	GASKET 12, ROUND	2	2	2	2				
I	18-1	22190-120002	SEAL WASHER 12	2	2	2	2				N
		(A=*2000.03) (B=*2000.03) (C=*2000.03) (D=*2000.03)									
I	19	194440-51620	CLAMP, WIRE HARNESS	1	1						W
		(A=*1997.01) (B=*1997.01)									
I	20	104264-59020	JOINT 12, PIPE	1	1						W
		(A=*1997.01) (B=*1997.01)									
I	21	104264-59020	JOINT 12, PIPE	1	1						W
		(A=*1997.01) (B=*1997.01)									
I	22	128377-59550	PIPE, FUEL OIL CMP	1	1						W
		(A=*1997.01) (B=*1997.01)									
I	23	128296-59900	JOINT	1	1						W
		(A=*1997.01) (B=*1997.01)									
I	24	128296-59940	VALVE, CHECK	1	1						W
		(A=*1997.01) (B=*1997.01)									
I	25	23000-016000	CLAMP 16	2	2						W
		(A=*1997.01) (B=*1997.01)									
I	26	22190-120002	SEAL WASHER 12	4	4						W
		(A=*1997.01) (B=*1997.01)									
I	27	23857-060000	JOINT BOLT 6	1	1						W
		(A=*1997.01) (B=*1997.01)									

Fig.50. FUEL LINE(3GM30F/FVE)

P/C NEWS No:Y00F5062-2
PUBLISHED:2000/11

Fig. 50 燃料パイプ (3GM30F/FVE)
FUEL PIPE (3GM30F/FVE)



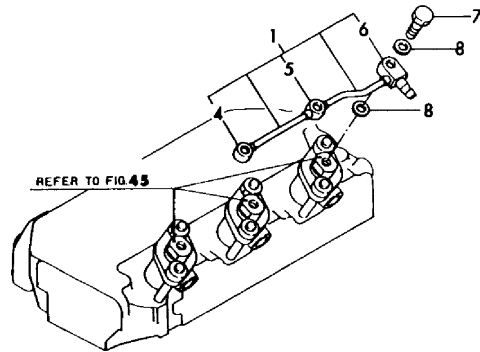
(A)=3GM30
(B)=3GM30VE
(C)=3GM30B

(D)=3GM30C
(E)=3GM30F
(F)=3GM30FVE

REF.	LEV.	PARTS NO.	DESCRIPTION	Q'TY						I	R
				(A)	(B)	(C)	(D)	(E)	(F)		
1	1	124450-39240	RETAINER, PIPE					1	1		
2	1	128390-59010	PIPE (A) ASSY, FUEL					1	1		
I	2-1	119173-59120	PIPE					1	1		S
							(E=*1997.01)			(F=*1997.01)	
3	1	23857-060000	JOINT BOLT 6					2	2		
4	1	104884-59170	GASKET					1	1		
5	1	128370-59081	PIPE, FUEL OIL (B)					1	1		
10	1	105582-59150	BOLT, PIPE JOINT					1	1		
11	1	103854-59191	BOLT W/PLUG & SEAL					1	1		
12	2	103854-59201	BOLT, JOINT					1	1		
13	2	124060-59380	PLUG					1	1		
14	2	22190-060002	SEAL WASHER 6S					1	1		
15	1	23414-080000	GASKET 8, ROUND					1	1		
I	15-1	22190-080002	SEAL WASHER 8S					1	1		N
							(E=*2000.03)			(F=*2000.03)	
16	1	23414-120000	GASKET 12, ROUND					4	4		
I	16-1	22190-120002	SEAL WASHER 12					4	4		N
							(E=*2000.03)			(F=*2000.03)	
17	1	23414-120000	GASKET 12, ROUND					2	2		
I	17-1	22190-120002	SEAL WASHER 12					2	2		N
							(E=*2000.03)			(F=*2000.03)	
I	18	194440-51620	CLAMP, WIRE HARNESS					1	1		W
							(E=*1997.01)			(F=*1997.01)	
I	19	104264-59020	JOINT 12, PIPE					1	1		W
							(E=*1997.01)			(F=*1997.01)	
I	20	104264-59020	JOINT 12, PIPE					1	1		W
							(E=*1997.01)			(F=*1997.01)	
I	21	128377-59550	PIPE,FUEL OIL CMP					1	1		W
							(E=*1997.01)			(F=*1997.01)	
I	22	128296-59900	JOINT					1	1		W
							(E=*1997.01)			(F=*1997.01)	
I	23	128296-59940	VALVE, CHECK					1	1		W
							(E=*1997.01)			(F=*1997.01)	
I	24	23000-016000	CLAMP 16					2	2		W
							(E=*1997.01)			(F=*1997.01)	
I	25	22190-120002	SEAL WASHER 12					4	4		W
							(E=*1997.01)			(F=*1997.01)	
I	26	23857-060000	JOINT BOLT 6					1	1		W
							(E=*1997.01)			(F=*1997.01)	

Fig.51. FUEL RETURN LINE

Fig. **51** 燃料戻しパイプ
FUEL RETURN PIPE



OCF10-G50602 51. FUEL RETURN LINE

(A)=3GM30
(B)=3GM30VE
(C)=3GM30B

(D)=3GM30C
(E)=3GM30F
(F)=3GM30FVE

REF.	LEV.	PARTS NO.	DESCRIPTION	Q'TY						I	R
				(A)	(B)	(C)	(D)	(E)	(F)		
1	1	128370-59500	PIPE, FUEL RETURN	1	1	1	1	1	1		
4	2	103288-39170	JOINT 8	1	1	1	1	1	1		
5	2	124450-39180	JOINT	1	1	1	1	1	1		
6	2	124790-59530	JOINT	1	1	1	1	1	1		
7	1	101147-59810	BOLT 8, PIPE JOINT	3	3	3	3	3	3		
8	1	23414-080000	GASKET 8, ROUND	6	6	6	6	6	6		

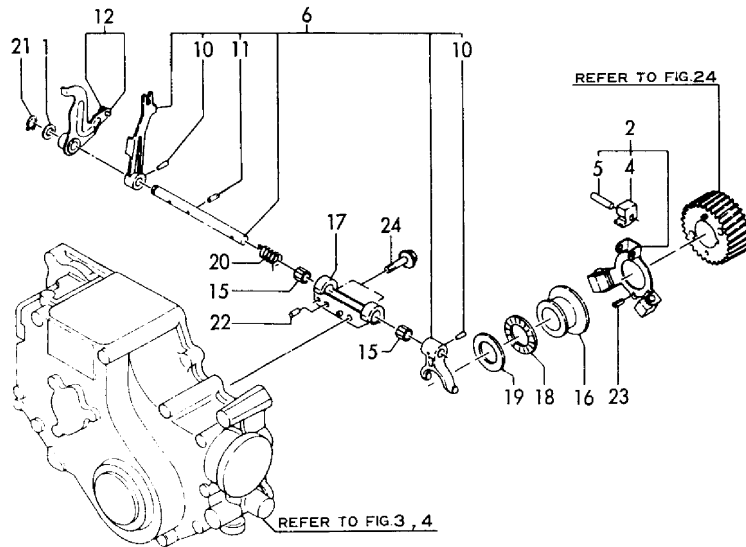
Fig.52. GOVERNOR DRIVING

OCF10-G50602 52. GOVERNOR DRIVING

(A)=3GM30
(B)=3GM30VE
(C)=3GM30B

(D)=3GM30C
(E)=3GM30F
(F)=3GM30FVE

Fig. 52 ガバナ駆動
GOVERNOR EQUIPMENT



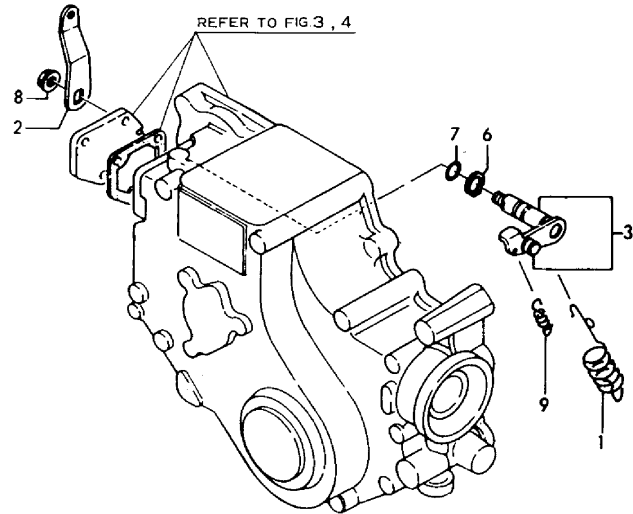
REF.	LEV.	PARTS NO.	DESCRIPTION	Q'TY						I	R
				(A)	(B)	(C)	(D)	(E)	(F)		
1	1	104211-42130	SPACER	1	1	1	1	1	1		
2	1	171016-61100	WEIGHT, GOVERNOR	1		1	1	1			
2-1	1	771016-61620	WEIGHT, GOVERNOR	1	1	1	1	1	1	1	N
		(A=*1982.07)	(C=*1982.07)	(D=*1982.07)	(E=*1982.07)						
I	4	104200-61200	WEIGHT, GOVERNOR	3	3	3	3	3	3		
5	2	121575-61220	PIN, GOVERNOR WEIGHT	3	3	3	3	3	3		
6	1	721500-61560	LEVER ASSY, GOVERNOR	1	1	1	1	1	1		
10	2	22322-030200	TAPER PIN 3X20	2	2	2	2	2	2		
11	2	22351-030012	SPRING PIN 3X12	1	1	1	1	1	1		
12	1	121575-61160	LEVER ASSY, CONTROL	1		1	1	1			
I	12-1	121575-61161	LEVER ASSY, CONTROL	1	1	1	1	1	1	1	N
		(A=E14187)	(C=E00396)	(D=E01638)	(E=E14136)						
15	1	122410-61650	BEARING, NEEDLE	2	2	2	2	2	2		
16	1	121000-61600	SLEEVE, GOVERNOR	1	1	1	1	1	1		
17	1	121575-61620	SUPPORT	1	1	1	1	1	1		
18	1	121575-61710	NEEDLE BEARING	1	1	1	1	1	1		
19	1	121575-61720	COLLAR, BEARING	1	1	1	1	1	1		
20	1	121575-66310	SPRING, STARTING	1	1	1	1	1	1		
21	1	22242-000100	CIRCLIP 10	1	1	1	1	1	1		
22	1	22312-040080	PIN 4X8, STRAIGHT	2	2	2	2	2	2		
23	1	22351-040008	SPRING PIN 4X 8	2	2	2	2	2	2		
24	1	26106-060282	BOLT M 6X 28 PLATED	2	2	2	2	2	2		

Fig.53. CONTROL DEVICE

(A)=3GM30
(B)=3GM30VE
(C)=3GM30B

(D)=3GM30C
(E)=3GM30F
(F)=3GM30FVE

Fig.53 操縦装置
CONTROL DEVICE



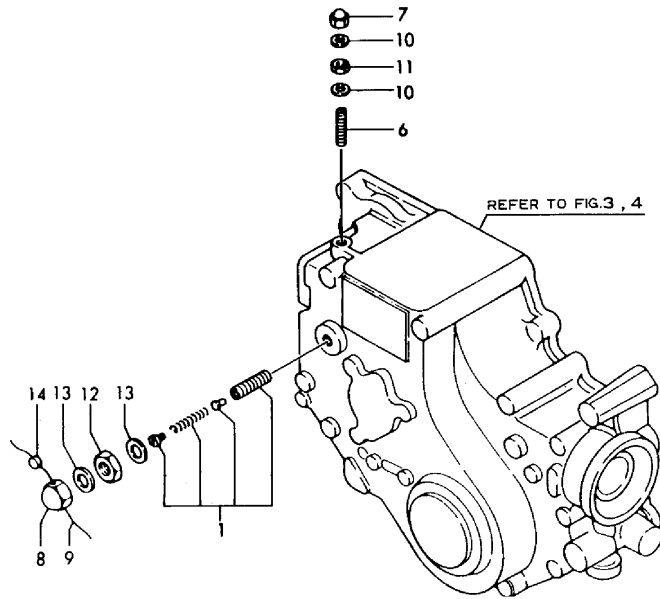
REF.	LEV.	PARTS NO.	DESCRIPTION	Q'TY						I	R
				(A)	(B)	(C)	(D)	(E)	(F)		
1	1	128270-66010	SPRING, REGULATOR	1	1	1	1	1	1		
2	1	121575-66051	HANDLE, REGULATOR	1	1	1	1	1	1		
3	1	121000-66090	LEVER ASSY, REGULAT	1	1	1	1	1	1		
6	1	22242-000120	CIRCLIP 12	1	1	1	1	1	1		
7	1	24311-000090	O-RING 1A P-9.0	1	1	1	1	1	1		
8	1	26366-080002	NUT M 8	1	1	1	1	1	1		
9	1	121575-66200	SPRING, REGULATOR	1	1	1	1	1	1		

Fig.55. FUEL CONTROL DEVICE

(A)=3GM30
(B)=3GM30VE
(C)=3GM30B

(D)=3GM30C
(E)=3GM30F
(F)=3GM30FVE

Fig. 55 燃料制限装置
FUEL CONTROL DEVICE



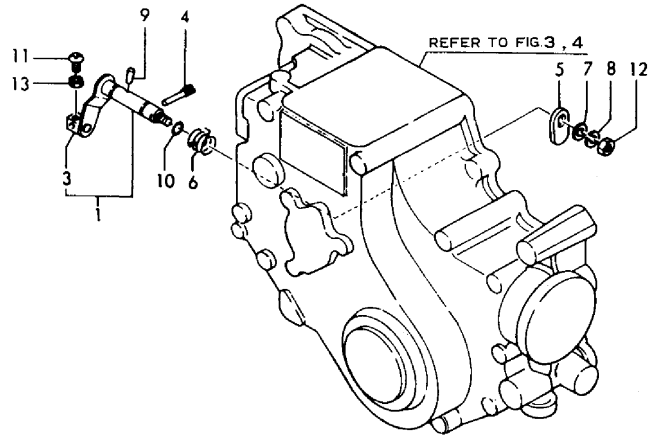
REF.	LEV.	PARTS NO.	DESCRIPTION	Q'TY						I	R
				(A)	(B)	(C)	(D)	(E)	(F)		
1	1	128270-66550	CONTROLLER ASSY	1	1	1	1	1	1		
6	1	121575-66800	SCREW, ADJUST	1	1	1	1	1	1		
7	1	128170-66870	CAP NUT M 6	1	1	1	1	1	1		
8	1	128170-66880	CAP NUT M12	1	1	1	1	1	1		
9	1	22451-100000	WIRE 1.0	1	1	1	1	1	1		
10	1	23414-060000	GASKET 6, ROUND	2	2	2	2	2	2		
11	1	26756-060002	LOCK NUT 6	1	1	1	1	1	1		
12	1	128170-66890	LOCK NUT M12	1	1	1	1	1	1		
13	1	43400-500450	SEAL WASHER 12S	2	2	2	2	2	2		
14	1	135210-61090	LEAD	1	1	1	1	1	1		

Fig.56. ENGINE STOP DEVICE

(A)=3GM30
(B)=3GM30VE
(C)=3GM30B

(D)=3GM30C
(E)=3GM30F
(F)=3GM30FVE

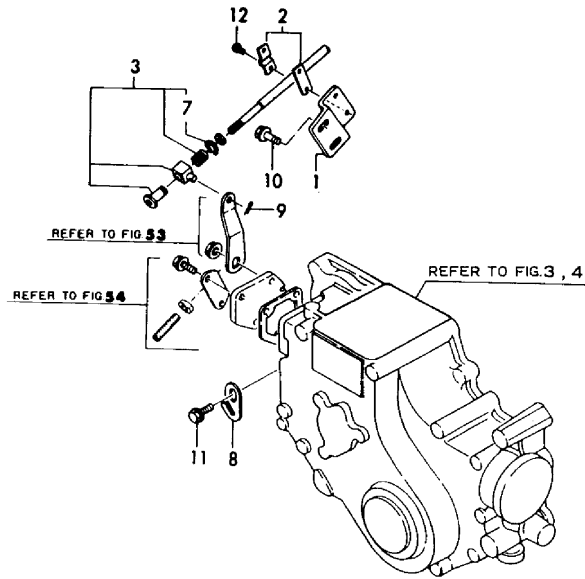
Fig.56 機関停止装置
ENGINE STOP DEVICE



REF.	LEV.	PARTS NO.	DESCRIPTION	Q'TY						I	R
				(A)	(B)	(C)	(D)	(E)	(F)		
1	1	121575-66510	LEVER ASSY, ENG,STOP	1	1	1	1				
3	2	104211-03770	PLATE	1	1	1	1				
4	1	124250-03640	SCREW, STOP	1	1	1	1				
5	1	121575-66550	CAM	1	1	1	1				
6	1	121575-66580	SPRING, RETURN	1	1	1	1				
7	1	22117-060000	WASHER 6	1	1	1	1				
8	1	22217-060000	SPRING WASHER 6	1	1	1	1				
9	1	22322-030160	TAPER PIN 3X16	1	1	1	1				
10	1	24311-000070	O-RING 1A P-7.0	1	1	1	1				
11	1	26557-050122	SCREW M 5X 12	1	1	1	1				
12	1	26716-060002	NUT 6	1	1	1	1				
13	1	26756-050002	LOCK NUT M 5 PLATED	1	1	1	1				

Fig.57. SPEED REMOTE CONTROL

Fig. 57 スピードリモコン
SPEED REMOTE CONTROL



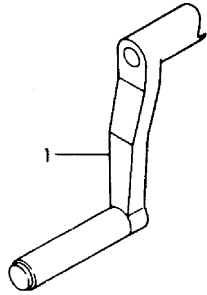
(A)=3GM30
(B)=3GM30VE
(C)=3GM30B

(D)=3GM30C
(E)=3GM30F
(F)=3GM30FVE

REF.	LEV.	PARTS NO.	DESCRIPTION	Q'TY						I	R
				(A)	(B)	(C)	(D)	(E)	(F)		
1	1	105311-67100	BRACKET, CABLE	1	1	1	1	1	1		
2	1	41710-000410	CLAMP	1	1	1	1	1	1		
3	1	105311-67200	RETAINER, JOINT	1	1	1	1	1	1		
7	2	22242-000100	CIRCLIP 10	1	1	1	1	1	1		
8	1	121575-67580	BRACKET, CABLE	1		1	1	1			
I 8-1	1	121575-67581	BRACKET, CABLE	1	1	1	1	1	1		N
		(A=E14020)	(C=E00396)	(D=E01583)	(E=E14015)						
9	1	22414-250150	COTTER PIN 2.5X15	1		1	1	1			
I 9-1	1	22360-080000	SNAP PIN 8	1	1	1	1	1	1		N
		(A=E09572)	(C=E00292)	(D=E01006)	(E=E09571)						
10	1	26106-060102	BOLT M 6X 10 PLATED	2	2	2	2	2	2		
11	1	26106-060122	BOLT M 6X 12 PLATED	1	1	1	1	1	1		
12	1	26557-050122	SCREW M 5X 12	2	2	2	2	2	2		

Fig.58. HAND START

Fig.58 ハンドスタート
HAND START



OCF10-G50602 58. HAND START

(A)=3GM30
(B)=3GM30VE
(C)=3GM30B

(D)=3GM30C
(E)=3GM30F
(F)=3GM30FVE

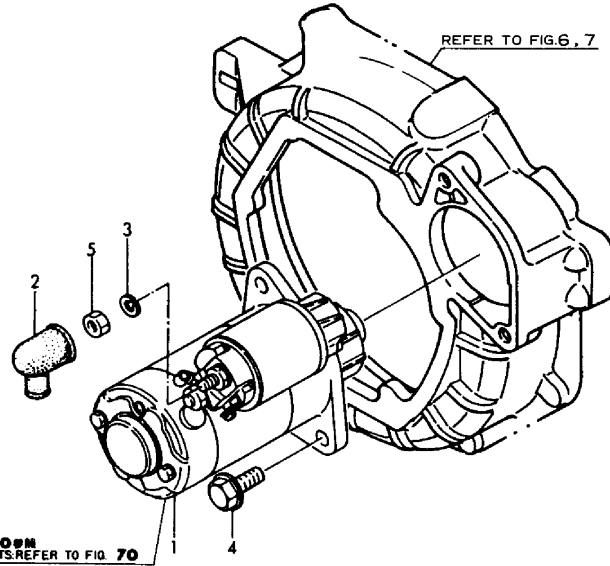
REF.	LEV.	PARTS NO.	DESCRIPTION	Q'TY						I	R
				(A)	(B)	(C)	(D)	(E)	(F)		
1	1	128170-76790	HANDLE, STARTING	1	1		1				

Fig.59. STARTING MOTOR

(A)=3GM30
(B)=3GM30VE
(C)=3GM30B

(D)=3GM30C
(E)=3GM30F
(F)=3GM30FVE

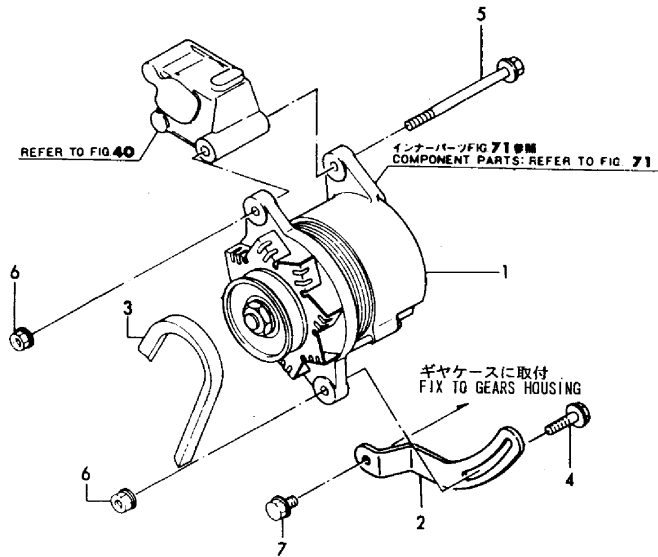
Fig. 59 スターティングモータ
STARTING MOTOR



REF.	LEV.	PARTS NO.	DESCRIPTION	Q'TY						I	R
				(A)	(B)	(C)	(D)	(E)	(F)		
1	1	128170-77010	STARTER	1	1	1	1	1	1		
2	1	124550-77030	COVER, TERMINAL	1	1	1	1	1	1		
3	1	22217-080000	SPRING WASHER 8	1	1	1	1	1	1		
4	1	26106-100302	BOLT M10X 30 PLATED	2	2	2	2	2	2		
5	1	26756-080002	LOCK NUT M 8 PLATED	1	1	1	1	1	1		

Fig.60. GENERATOR

Fig.60 ジェネレータ
GENERATOR



(A)=3GM30
(B)=3GM30VE
(C)=3GM30B

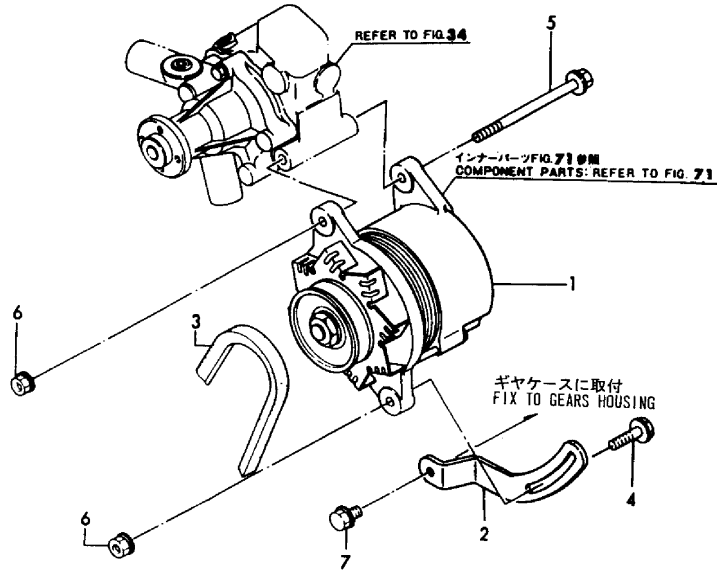
(D)=3GM30C
(E)=3GM30F
(F)=3GM30FVE

REF.	LEV.	PARTS NO.	DESCRIPTION	Q'TY						I	R
				(A)	(B)	(C)	(D)	(E)	(F)		
1	1	129772-77200	GENERATOR(12V-55A)	1	1	1	1				
2	1	128271-77330	ADJUSTER, BELT	1	1	1	1				
3	1	128670-77350	V-BELT (A-31)	1	1	1	1				
4	1	26106-080302	BOLT M 8X 30 PLATED	1	1	1	1				
5	1	128271-77340	BOLT M 8X120	1	1	1	1				
6	1	26366-080002	NUT M 8	2	2	2	2				
7	1	26106-100162	BOLT M10X 16 PLATED	1		1	1				Z
		(A=EXXX)	(C=EXXX)	(D=EXXX)							

Fig.61. GENERATOR

OCF10-G50602 61. GENERATOR

Fig.61 ジェネレータ
GENERATOR



(A)=3GM30
(B)=3GM30VE
(C)=3GM30B

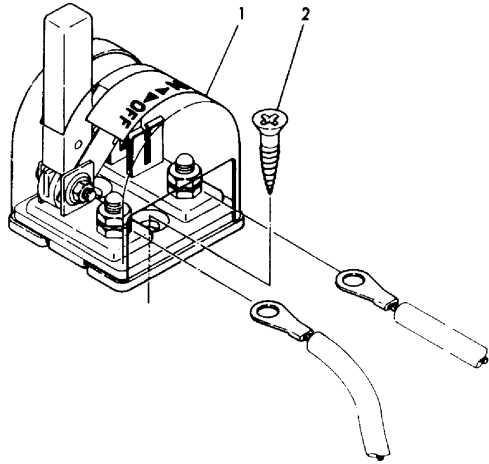
(D)=3GM30C
(E)=3GM30F
(F)=3GM30FVE

REF.	LEV.	PARTS NO.	DESCRIPTION	Q'TY						I	R
				(A)	(B)	(C)	(D)	(E)	(F)		
1	1	129772-77200	GENERATOR(12V-55A)					1			1
2	1	128271-77330	ADJUSTER, BELT					1			1
3	1	124732-42290	V-BELT (A-37)					1			1
4	1	26106-080302	BOLT M 8X 30 PLATED					1			1
5	1	128271-77340	BOLT M 8X120					1			1
6	1	26366-080002	NUT M 8					2			2
7	1	26106-100162	BOLT M10X 16 PLATED					1			Z

(E=EXXX)

Fig.62. BATTERY SWITCH

Fig. **62** バッテリスイッチ
BATTERY SWITCH



OCF10-G50602 62. BATTERY SWITCH

(A)=3GM30
(B)=3GM30VE
(C)=3GM30B

(D)=3GM30C
(E)=3GM30F
(F)=3GM30FVE

REF.	LEV.	PARTS NO.	DESCRIPTION	Q'TY						I	R
				(A)	(B)	(C)	(D)	(E)	(F)		
1	1	123310-77640	SWITCH, BATTERY	1	1	1	1	1	1	1	1
2	1	22724-800380	SCREW 8X 38	2	2	2	2	2	2	2	1

Remarks

1)OPTIONAL FOR 3GM30,3GM30VE,3GM30C,
3GM30F & 3GM30FVE

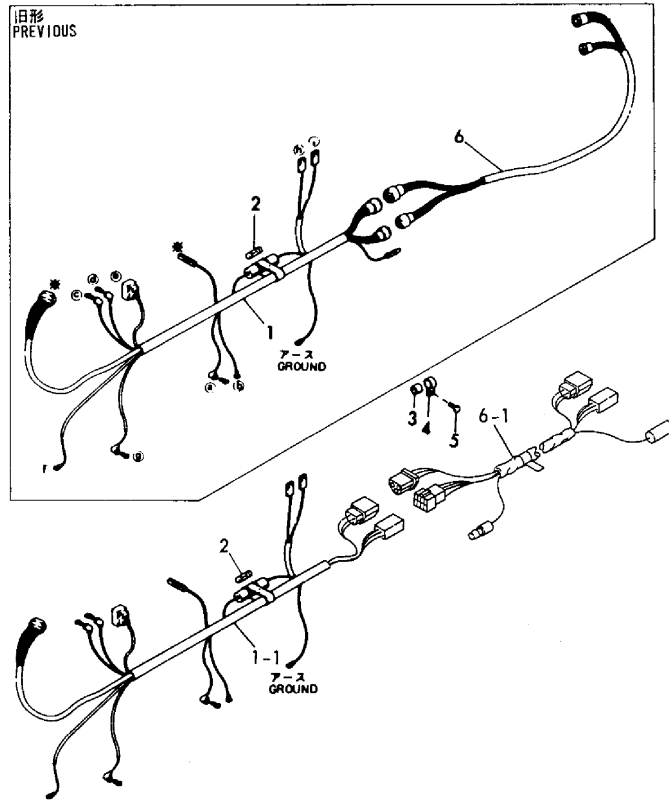
Fig.63. WIRE HARNESS

OCF10-G50602 63. WIRE HARNESS

(A)=3GM30
(B)=3GM30VE
(C)=3GM30B

(D)=3GM30C
(E)=3GM30F
(F)=3GM30FVE

Fig.63 ワイヤハーネス
WIRE HARNESS



REF.	LEV.	PARTS NO.	DESCRIPTION	Q'TY						I	R
				(A)	(B)	(C)	(D)	(E)	(F)		
1	1	128270-77921	HARNESS, WIRE	1	1	1	1				
I	1-1	128271-77920 (A=E14020)	HARNESS, WIRE (C=E00396) (D=E01583)	1	1	1	1				S
I	1-2	128271-77921 (A=E14187)	HARNESS, WIRE (C=E00396) (D=E01643)	1	1	1	1	1	1	1	N
	2	46150-003680	FUSE 30A	1	1	1	1	1	1	1	
	3	124770-77940	PROTECTOR	1	1	1	1	1	1	1	
	4	124070-77950	CLAMP	1	1	1	1	1	1	1	
	5	26106-080142	BOLT M 8X 14 PLATED	1	1	1	1	1	1	1	
	6	128170-77500	HARNESS, WIRE	1		1	1	1			
I	6-1	128391-77700 (A=E14020)	HARNESS, WIRE(3M) (C=E00396) (D=E01583)	1	1	1	1	1	1	1	S

Fig.64. CLUTCH

Fig64 クラッチ

この項目はイラスト表現していません。

OCF10-G50602 64. CLUTCH

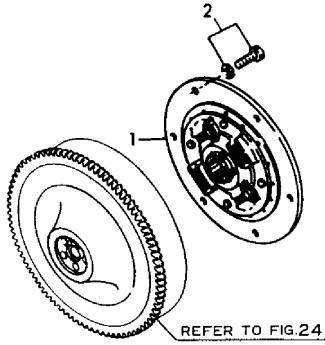
(A)=3GM30
(B)=3GM30VE
(C)=3GM30B

(D)=3GM30C
(E)=3GM30F
(F)=3GM30FVE

REF.	LEV.	PARTS NO.	DESCRIPTION	Q'TY						I	R
				(A)	(B)	(C)	(D)	(E)	(F)		
1	1	128371-81010	CLUTCH KM3A I=2.36	1	1		1				
I 1-1	1	128374-81110	CLUTCH KM3P I=2.36	1		1		1			N
		(A=E01888)	(C=E00146)					(E=E01888)			
2	1	128371-81020	CLUTCH KM3A I=2.61	1		1		1			
I 2-1	1	128374-81120	CLUTCH KM3P I=2.61	1		1		1			N
		(A=E01888)	(C=E00146)					(E=E01888)			
3	1	128371-81030	CLUTCH KM3A I=3.20	1				1			
I 3-1	1	128374-81130	CLUTCH KM3P I=3.20	1				1			N
		(A=E01888)						(E=E01888)			
4	1	128371-81050	DISK, DAMPER	1		1		1			
I 4-1	1	177070-03501	DISK (NON-ASB.)	1	1	1		1	1		N
		(A=E11483)	(C=E00343)					(E=E11458)			
5	1	26013-080142	BOLT M 8X 14	6	6	6		6	6		
6	1	26106-080282	BOLT M 8X 28 PLATED	8		8		8			
6-1	1	26106-080502	BOLT M 8X 50 PLATED			8					S
			(C=E00109)								
I 6-2	1	26106-080282	BOLT M 8X 28 PLATED			8					S
			(C=E00146)								
7	1	128171-81150	SPACER			1					W
			(C=E00109)								
I 7-1	1	128171-81150	SPACER			1					Z
			(C=E00146)								
8	1	128374-81310	CLUTCH ASSY I=2.36		1				1		
9	1	128374-81320	CLUTCH ASSY I=2.61		1				1		
10	1	128374-81330	CLUTCH ASSY I=3.20		1				1		

Fig.65. DUMPER DISK

Fig.65 ダンパディスク
DUMPER DISK



OCF10-G50602 65. DUMPER DISK

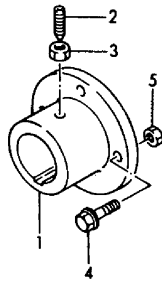
(A)=3GM30
(B)=3GM30VE
(C)=3GM30B

(D)=3GM30C
(E)=3GM30F
(F)=3GM30FVE

REF.	LEV.	PARTS NO.	DESCRIPTION	Q'TY						I	R	
				(A)	(B)	(C)	(D)	(E)	(F)			
1	1	128371-81050	DISK, DAMPER				1					
I 1-1	1	177070-03501	DISK (NON-ASB.) (D=E01177)				1					N
2	1	26013-080142	BOLT M 8X 14				6					

Fig.66. TAPER COUPLING

Fig.66 テーパーカップリング
TAPER COUPLING



OCF10-G50602 66. TAPER COUPLING

(A)=3GM30
(B)=3GM30VE
(C)=3GM30B

(D)=3GM30C
(E)=3GM30F
(F)=3GM30FVE

REF.	LEV.	PARTS NO.	DESCRIPTION	Q'TY						I	R
				(A)	(B)	(C)	(D)	(E)	(F)		
1	1	48110-028063	COUPLING 28, TAPER	1	1	1					1
I 1-1	1	48110-025063	COUPLING 25, TAPER (C=E00364)			1					N
2	1	48110-032411	SCREW	1	1	1					1
3	1	26756-080002	LOCK NUT M 8 PLATED	1	1	1					1
4	1	26106-100322	BOLT M10X 32 PLATED	4	4	4					1
5	1	26706-100002	NUT M10	4	4	4					1

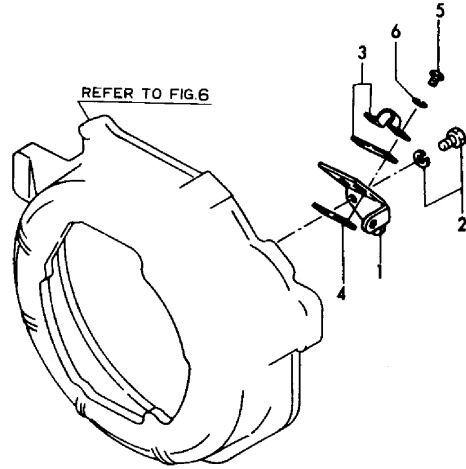
Remarks

1)OPTIONAL FOR 3GM30 & 3GM30VE

N:Old $\xleftrightarrow{\text{Yes}} \xleftarrow{\text{No}}$ New, Q:Old $\xleftrightarrow{\text{No}} \xleftarrow{\text{Yes}}$ New, R:Old $\xleftrightarrow{\text{Yes}} \xleftarrow{\text{No}}$ New, S:Old $\xleftrightarrow{\text{No}} \xleftarrow{\text{Yes}}$ New, W:Add, Z:Discontinued, F:Interchangeable by set, K:Q'ty Change

Fig.67. CLUTCH REMOTE CONTROL

Fig. 67 クラッチリモコン
CLUTCH REMOTE CONTROL



OCF10-G50602 67. CLUTCH REMOTE CONTROL

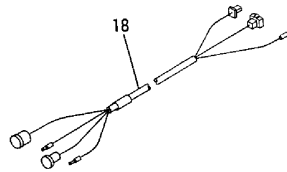
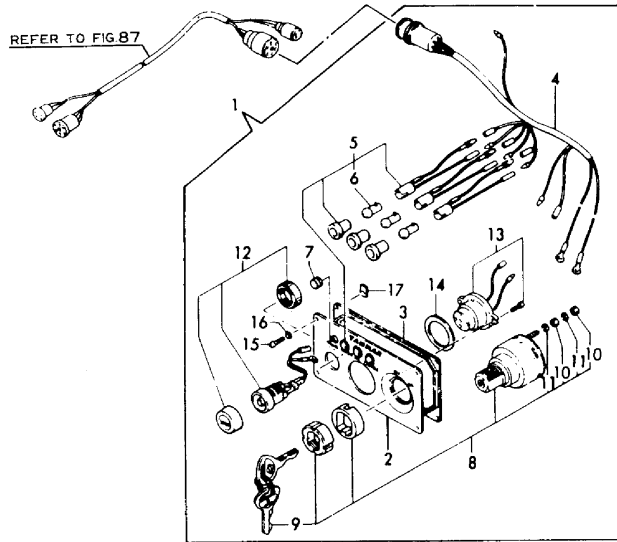
(A)=3GM30
(B)=3GM30VE
(C)=3GM30B

(D)=3GM30C
(E)=3GM30F
(F)=3GM30FVE

REF.	LEV.	PARTS NO.	DESCRIPTION	Q'TY						I	R
				(A)	(B)	(C)	(D)	(E)	(F)		
1	1	128170-86300	BRACKET, CABLE	1	1	1		1	1		
2	1	26106-060142	BOLT M 6X 14 PLATED	2	2	2		2	2		
3	1	41710-000410	CLAMP	1	1	1		1	1		
4	1	121574-86320	RETAINER	1	1	1		1	1		
5	1	26557-050122	SCREW M 5X 12	2	2	2		2	2		
6	1	22212-050000	SPRING WASHER 5	2	2	2		2	2		

Fig.68. PANEL(A-TYPE)

Fig.68 計器盤(Aタイプ)
PANEL(A-TYPE)



OCF10-G50602 68. PANEL(A-TYPE)

(A)=3GM30
(B)=3GM30VE
(C)=3GM30B

(D)=3GM30C
(E)=3GM30F
(F)=3GM30FVE

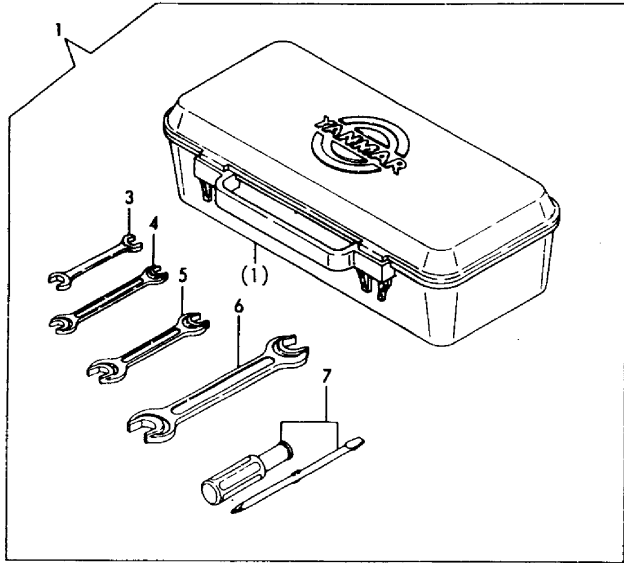
REF.	LEV.	PARTS NO.	DESCRIPTION	Q'TY						I	R
				(A)	(B)	(C)	(D)	(E)	(F)		
1	1	128270-91001	PANEL ASSY, INSTRUM	1	1	1		1	1		1
2	2	128270-91010	HOUSING, PANEL	1	1	1		1	1		
3	2	128270-91020	PACKING	1	1	1		1	1		
4	2	128270-91031	HARNESS, WIRE	1	1	1		1	1		
5	2	128270-91040	LAMP, PILOT	3	3	3		3	3		
6	3	46150-001110	BULB(12V3W/G11.BA9S)	3	3	3		3	3		
7	2	128270-91230	COVER	1	1	1		1	1		
8	2	124070-91250	SWITCH W/KEY	1	1	1		1	1		
9	3	124070-91290	KEY, SWITCH	1	1	1		1	1		
10	3	26716-050002	NUT M 5	4	4	4		4	4		
11	3	22217-050000	SPRING WASHER 5	4	4	4		4	4		
12	2	124070-91300	SWITCH	1	1	1		1	1		
13	2	128270-91350	BUZZER, ALARM	1	1	1		1	1		
14	2	128270-91360	PACKING, BUZZER	1	1	1		1	1		
15	2	128170-91810	SCREW M5	4	4	4		4	4		
16	2	128170-91820	WASHER 5	4	4	4		4	4		
17	2	128170-91830	PLATE NUT M5	4	4	4		4	4		
18	1	128391-77860	HARNESS, WIRE	1	1	1		1	1	W	1
				(A=E14020)	(C=E00396)	(E=E14015)					

Remarks

1)OPTIONAL FOR 3GM30,3GM30VE,3GM30F,
3GM30FVE

Fig.69. TOOL

Fig.69 工具
TOOL



(A)=3GM30
(B)=3GM30VE
(C)=3GM30B

(D)=3GM30C
(E)=3GM30F
(F)=3GM30FVE

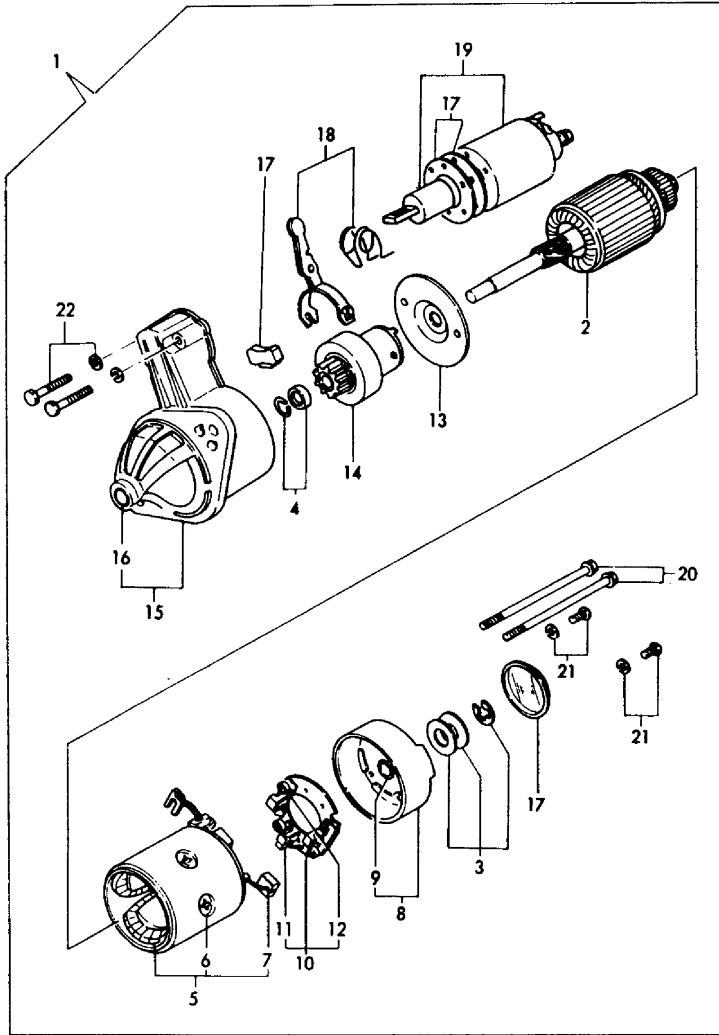
REF.	LEV.	PARTS NO.	DESCRIPTION	Q'TY						I	R
				(A)	(B)	(C)	(D)	(E)	(F)		
1	1	704507-92100	BOX ASSY, TOOL	1	1	1	1	1	1		
3	2	28110-100130	WRENCH 10X13	1	1	1	1	1	1		
4	2	28110-120140	WRENCH 12X14	1	1	1	1	1	1		
5	2	28110-170190	WRENCH 17X19	1	1	1	1	1	1		
6	2	28110-220240	WRENCH 22X24	1	1	1	1	1	1		
7	2	104200-92350	DRIVER, SCREW	1	1	1	1	1	1		

Fig.70. STARTING MOTOR COMPONENT PART

(A)=3GM30
(B)=3GM30VE
(C)=3GM30B

(D)=3GM30C
(E)=3GM30F
(F)=3GM30FVE

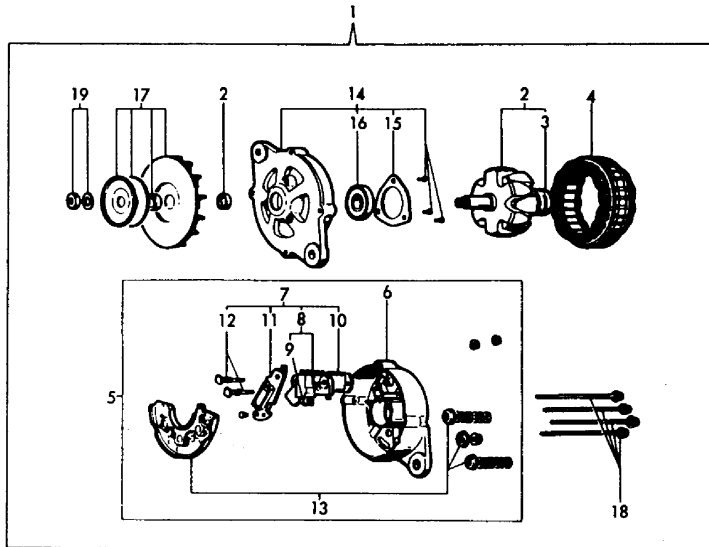
Fig.70 スターティングモータ インナーパーツ
STARTING MOTOR COMPONENT PART



REF.	LEV.	PARTS NO.	DESCRIPTION	Q'TY						I	R
				(A)	(B)	(C)	(D)	(E)	(F)		
1	1	128170-77010	STARTER	1	1	1	1	1	1		
2	2	X211451005	ARMATURE	1	1	1	1	1	1		
3	2	X21148110	WASHER SET, THRUST	1	1	1	1	1	1		
4	2	X21147155	STOPPER SET, PINION	1	1	1	1	1	1		
5	2	X211462101	COIL ASSY, FIELD	1	1	1	1	1	1		
6	3	X21143215	SCREW, CORE	4	4	4	4	4	4		
7	3	X21145312	BRUSH (+)	2	2	2	2	2	2		
8	2	X211413005	COVER ASSY	1	1	1	1	1	1		
9	3	X21145352	METAL	1	1	1	1	1	1		
10	2	X211433101	HOLDER	1	1	1	1	1	1		
11	3	X21148313	BRUSH (-)	2	2	2	2	2	2		
12	3	X2114314	SPRING	4	4	4	4	4	4		
13	2	X21144454	PLATE	1	1	1	1	1	1		
14	2	X211415006	PINION ASSY	1	1	1	1	1	1		
15	2	X211476503	CASE ASSY	1	1	1	1	1	1		
16	3	X21144661	METAL, GEAR CASE	1	1	1	1	1	1		
17	2	X21146963	COVER	1	1	1	1	1	1		
18	2	X21149652	LEVER SET, SHIFT	1	1	1	1	1	1		
19	2	X211447009	SWITCH	1	1	1	1	1	1		
20	2	X21148852	BOLT, THROUGH	2	2	2	2	2	2		
21	2	X21142835	SCREW SET	2	2	2	2	2	2		
22	2	X21145866	BOLT	2	2	2	2	2	2		

Fig.71. GENERATOR COMPONENT PART

Fig.71 ジェネレーターインナーパーツ
GENERATOR COMPONENT PART



OCF10-G50602 71. GENERATOR COMPONENT PART

(A)=3GM30
(B)=3GM30VE
(C)=3GM30B

(D)=3GM30C
(E)=3GM30F
(F)=3GM30FVE

REF.	LEV.	PARTS NO.	DESCRIPTION	Q'TY						I	R		
				(A)	(B)	(C)	(D)	(E)	(F)				
1	1	129772-77200	GENERATOR(12V-55A)	1	1	1	1	1	1				
2	2	XL15571001	ROTOR ASSY	1	1	1	1	1	1				
3	3	X6201SD	BALL BEARING	1	1	1	1	1	1				
4	2	XL15542001	STATOR ASSY	1	1	1	1	1	1				
5	2	XL15553002	COVER ASSY, REAR	1	1	1	1	1	1				
6	3	XL22553012	COVER, REAR	1	1	1	1	1	1				
7	3	XL1556315	REGULATOR ASSY,BRUSH	1	1	1	1	1	1				
8	4	XL2255330	BRUSH ASSY	1	1	1	1	1	1		1		
9	4	XL12013262	BRUSH	2	2	2	2	2	2				
10	4	XTR1Z63	REGULATOR	1	1	1	1	1	1				
11	4	XL2251318	CONDENSER ASSY	1	1	1	1	1	1				
12	4	XL13513134	BOLT M5	2	2	2	2	2	2				
13	3	XL2253320	DIODE ASSY	1	1	1	1	1	1				
14	2	XL2253400	FRONT COVER ASSY	1	1	1	1	1	1				
15	3	XL15014042	BEARING RETAINER	1	1	1	1	1	1				
16	3	X6203BM	BALL BEARING	1	1	1	1	1	1				
17	2	XL22555001	PULLEY ASSY	1		1	1	1					
17-1	2	XL1557500	PULLEY ASSY	1	1	1	1	1	1		N		
(A=E06576)				(C=E00254)				(D=E00686)				(E=E06565)	
18	2	XL15018015	BOLT, THROUGH	4	4	4	4	4	4				
19	2	XL1501810	NUT ASSY, PULLEY	1	1	1	1	1	1				
20	2	XL15028001	SCREW ASSY	1	1	1	1	1	1		2		

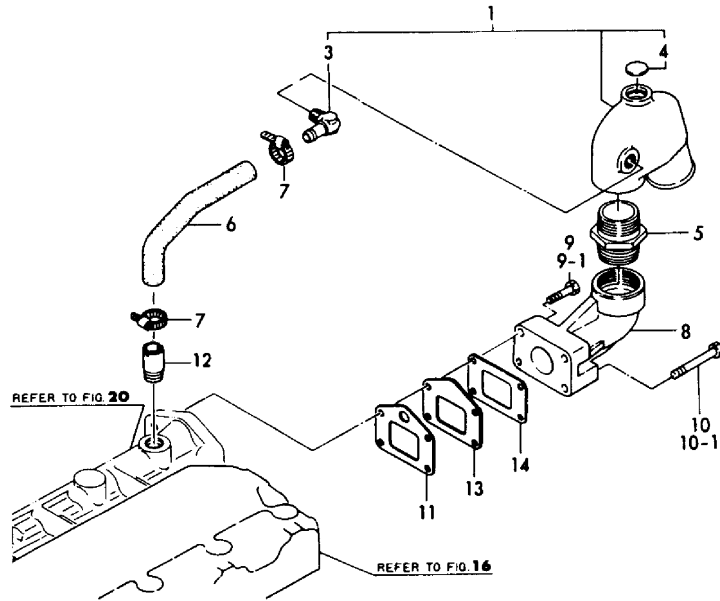
Remarks
2) NOT ILLUSTRATED

Fig.72. MIXING ELBOW(OPTIONAL)

(A)=3GM30
(B)=3GM30VE
(C)=3GM30B

(D)=3GM30C
(E)=3GM30F
(F)=3GM30FVE

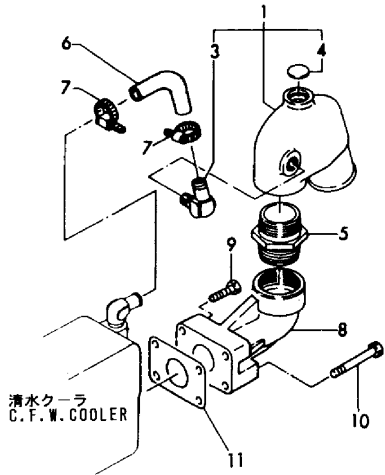
Fig.72 ミキシングエルボ(オプション)
MIXING ELBOW(OPTIONAL)



REF.	LEV.	PARTS NO.	DESCRIPTION	Q'TY						I	R
				(A)	(B)	(C)	(D)	(E)	(F)		
1	1	124070-13520	ELBOW, MIXING	1	1	1	1				
3	2	124070-13300	ELBOW (PT3/8)	1	1	1	1				
4	2	27233-250000	PLUG 25	1	1	1	1				
5	1	104214-13580	JOINT	1	1	1	1				
6	1	128370-49250	PIPE, COOLING WATER	1	1	1	1				
7	1	23000-025000	CLAMP 25	2	2	2	2				
8	1	128370-13610	ELBOW, EXHAUST	1	1	1	1				
9	1	26116-080402	BOLT M 8X 40 PLATED	2		2	2				
9-1	1	26203-080452	BOLT M 8X 45	2	2	2	2				S
		(A=E01538)	(C=E00133)	(D=E00212)							
10	1	26116-080602	BOLT M 8X 60 PLATED	2		2	2				
10-1	1	26203-080652	BOLT M 8X 65	2	2	2	2				S
		(A=E01538)	(C=E00133)	(D=E00212)							
11	1	128370-13230	GASKET	1		1	1				W
		(A=E01538)	(C=E00133)	(D=E00212)							
11-1	1	128370-13231	GASKET	1	1	1	1				N
		(A=E05446)	(C=E00215)	(D=E00123)							
12	2	121575-49300	JOINT PT 3/8	1	1	1	1				W
		(A=E01538)	(C=E00133)	(D=E00212)							
13	2	128370-13220	SPACER	1	1	1	1				W
		(A=E01538)	(C=E00133)	(D=E00212)							
14	1	128370-13200	GASKET	1		1	1				
I 14-1	1	128370-13201	GASKET, (NON-ASB.)	1	1	1	1				N
		(A=E11532)	(C=E00343)	(D=E01203)							

Fig.73. MIXING ELBOW(OPTIONAL)

Fig.73 ミキシングエルボ(オプション)
MIXING ELBOW(OPTIONAL)



OCF10-G50602 73. MIXING ELBOW(OPTIONAL)

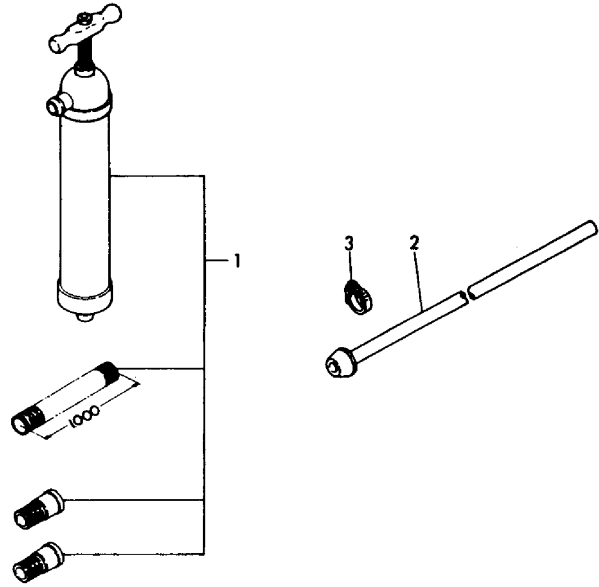
(A)=3GM30
(B)=3GM30VE
(C)=3GM30B

(D)=3GM30C
(E)=3GM30F
(F)=3GM30FVE

REF.	LEV.	PARTS NO.	DESCRIPTION	Q'TY						I	R	
				(A)	(B)	(C)	(D)	(E)	(F)			
1	1	124070-13520	ELBOW, MIXING					1			1	
3	2	124070-13300	ELBOW (PT3/8)					1			1	
4	2	27233-250000	PLUG 25					1			1	
5	1	104214-13580	JOINT					1			1	
6	1	128690-49250	PIPE, COOLING WATER					1			1	
7	1	23000-025000	CLAMP 25					2			2	
8	1	128370-13610	ELBOW, EXHAUST					1			1	
9	1	26203-080402	BOLT M 8X 40					2			2	
10	1	26203-080602	BOLT M 8X 60					2			2	
11	1	128370-13200	GASKET					1				W
I	11-1	1	128370-13201	(E=FROM 1ST)				1			1	N
				(E=E11515)								

Fig.74. LUB.OIL WASTE PUMP(OPTIONAL)

Fig. 74 潤滑油排油ポンプ(オプション)
LUB.OIL WASTE PUMP(OPTIONAL)



OCF10-G50602 74. LUB.OIL WASTE PUMP(OPTIONAL)

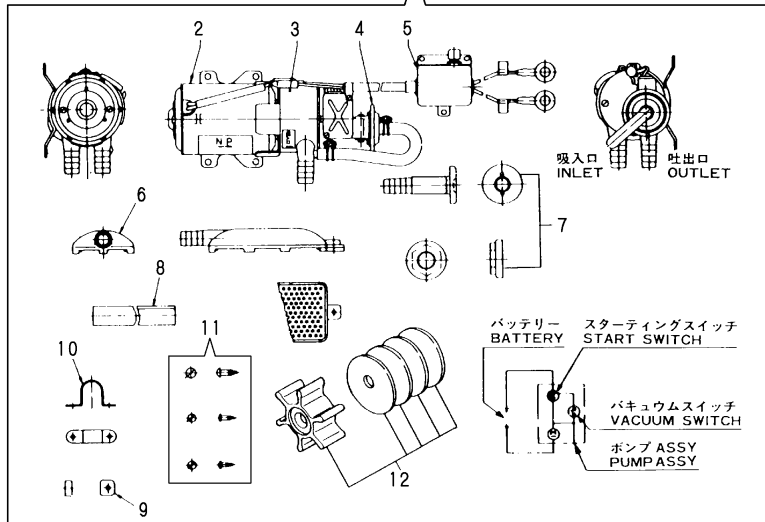
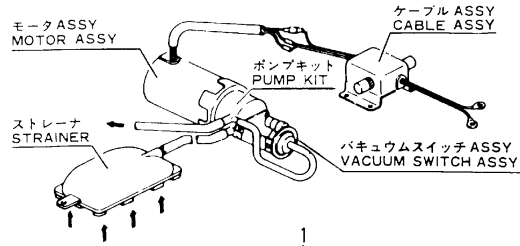
(A)=3GM30
(B)=3GM30VE
(C)=3GM30B

(D)=3GM30C
(E)=3GM30F
(F)=3GM30FVE

REF.	LEV.	PARTS NO.	DESCRIPTION	Q'TY						I	R
				(A)	(B)	(C)	(D)	(E)	(F)		
1	1	28210-000080	PUMP	1	1	1	1	1	1		
2	1	128275-39710	PIPE, LUB OIL	1	1	1	1	1	1		
3	1	23080-018000	CLAMP 18	3	3	3	3	3	3		

Fig.75. ELECTRIC BILGE PUMP(12V)(OP)

P/C NEWS No:Y00F5062-4
PUBLISHED:2004/7



OCF10-G50602 75. ELECTRIC BILGE PUMP(12V)(OP)

(A)=3GM30
(B)=3GM30VE
(C)=3GM30B

(D)=3GM30C
(E)=3GM30F
(F)=3GM30FVE

REF.	LEV.	PARTS NO.	DESCRIPTION	Q'TY						I	R
				(A)	(B)	(C)	(D)	(E)	(F)		
1	1	977782-00122	PUMP(12V), BILGE	1	1	1	1	1	1		
I	2	2	XBP2901200	MOTOR ASSY.	1	1	1	1	1	1	M
I	2-1	2	XBP1902200	MOTER ASSY	1	1	1	1	1	1	
3	2	XBP1901300	PUMP SET	1	1	1	1	1	1		
4	2	XBP1902400	VACUUM SWITCH ASSY	1	1	1	1	1	1		
5	2	XBP1905500	CABLE ASSY.	1	1	1	1	1	1		
6	2	XBP1902810	STRAINER	1	1	1	1	1	1		
7	2	XBP1901820	OUTLET	1	1	1	1	1	1		
8	2	XBP1901830	HOSE	1	1	1	1	1	1		
9	2	XBP1901910	SPACER	1	1	1	1	1	1		
10	2	XBP1901920	CLAMP	1	1	1	1	1	1		
11	2	XBP1901950	SCREW SET	1	1	1	1	1	1		
12	2	947859-20010	IMPELLER	1	1	1	1	1	1		

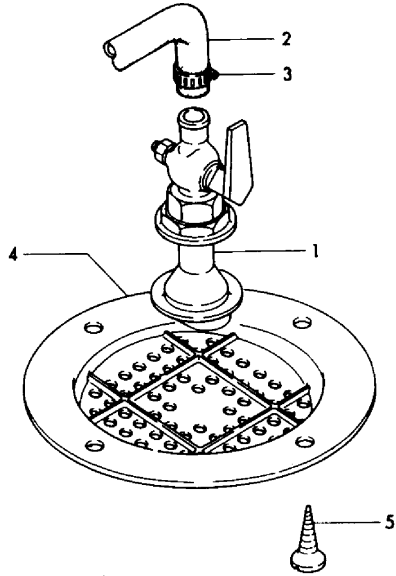
Remarks

(M)MISPRINT:REFER TO THE NEXT ITEM.

N:Old $\xrightarrow{\text{Yes}}$ New, Q:Old $\xrightarrow{\text{No}}$ New, R:Old $\xrightarrow{\text{Yes}}$ New, S:Old $\xrightarrow{\text{No}}$ New, W:Add, Z:Discontinued, F:Interchangeable by set, K:Q'ty Change

Fig.76. KINGSTON COCK(OPTIONAL)

Fig.76 キングストンコック (オプション)
KINGSTON COCK (OPTIONAL)



OCF10-G50602 76. KINGSTON COCK(OPTIONAL)

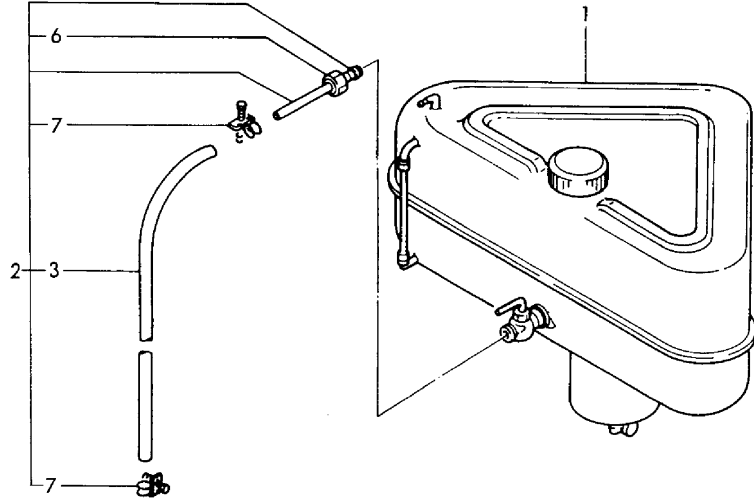
(A)=3GM30
(B)=3GM30VE
(C)=3GM30B

(D)=3GM30C
(E)=3GM30F
(F)=3GM30FVE

REF.	LEV.	PARTS NO.	DESCRIPTION	Q'TY						I	R	
				(A)	(B)	(C)	(D)	(E)	(F)			
1	1	43662-015020	COCK ASSY, SEA WATER					1			1	
2	1	124223-49050	PIPE, COOLING WATER					1			1	
3	1	23000-025000	CLAMP 25					2			2	
4	1	43666-020951	COVER, STRAINER					1			1	
5	1	22724-800380	SCREW 8X 38					4			4	

Fig.77. FUEL TANK(OPTIONAL)

Fig.77 燃料タンク (オプション)
FUEL TANK (OPTIONAL)



OCF10-G50602 77. FUEL TANK(OPTIONAL)

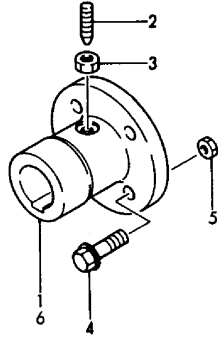
(A)=3GM30
(B)=3GM30VE
(C)=3GM30B

(D)=3GM30C
(E)=3GM30F
(F)=3GM30FVE

REF.	LEV.	PARTS NO.	DESCRIPTION	Q'TY						I	R
				(A)	(B)	(C)	(D)	(E)	(F)		
1	1	83213-003012	TANK (30L), FUEL	1	1	1	1	1	1		
2	1	124070-59060	PIPE, FUEL OIL	1	1	1	1	1	1		
3	2	124070-59130	PIPE, FUEL OIL	1	1	1	1	1	1		
6	2	138603-59380	CAP NUT	1	1	1	1	1	1		
7	2	23010-014000	CLAMP 14	2	2	2	2	2	2		

Fig.79. TAPER COUPLING(OPTIONAL)

Fig. **79** テーパーカップリング(オプション)
TAPER COUPLING(OPTIONAL)



OCF10-G50602 79. TAPER COUPLING(OPTIONAL)

(A)=3GM30
(B)=3GM30VE
(C)=3GM30B

(D)=3GM30C
(E)=3GM30F
(F)=3GM30FVE

REF.	LEV.	PARTS NO.	DESCRIPTION	Q'TY						I	R
				(A)	(B)	(C)	(D)	(E)	(F)		
1	1	48110-032502	COUPLING					1	1		1
2	1	48110-032411	SCREW					1	1		
3	1	26756-080002	LOCK NUT M 8 PLATED					1	1		
4	1	26106-100322	BOLT M10X 32 PLATED					4	4		
5	1	26706-100002	NUT M10					4	4		
6	1	48110-028063	COUPLING 28, TAPER					1	1	W	1

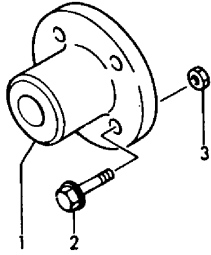
(E=EXXX)

Remarks

1)SELECT PART.

Fig.80. COUPLING(OPTIONAL)

Fig. **80** カップリング(オプション)
COUPLING (OPTIONAL)



OCF10-G50602 80. COUPLING(OPTIONAL)

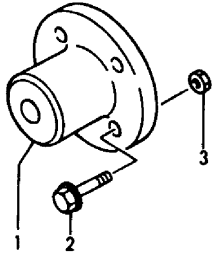
(A)=3GM30
(B)=3GM30VE
(C)=3GM30B

(D)=3GM30C
(E)=3GM30F
(F)=3GM30FVE

REF.	LEV.	PARTS NO.	DESCRIPTION	Q'TY						I	R
				(A)	(B)	(C)	(D)	(E)	(F)		
1	1	105583-85900	COUPLING (22), SOLID	1	1			1	1		
2	1	26106-100322	BOLT M10X 32 PLATED	4	4			4	4		
3	1	26706-100002	NUT M10	4	4			4	4		

Fig.81. STRAIGHT COUPLING(OPTIONAL)

Fig. **81** ストレートカップリング(オプション)
 STRAIGHT COUPLING (OPTIONAL)



OCF10-G50602 81. STRAIGHT COUPLING(OPTIONAL)

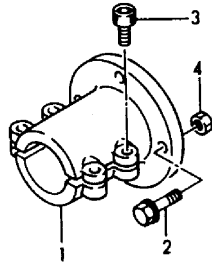
(A)=3GM30
 (B)=3GM30VE
 (C)=3GM30B

(D)=3GM30C
 (E)=3GM30F
 (F)=3GM30FVE

REF.	LEV.	PARTS NO.	DESCRIPTION	Q'TY						I	R
				(A)	(B)	(C)	(D)	(E)	(F)		
1	1	45414-500260	COUPLING (16)	1	1			1	1		
2	1	26106-100322	BOLT M10X 32 PLATED	4	4			4	4		
3	1	26706-100002	NUT M10	4	4			4	4		

Fig.82. SLIT COUPLING(OPTIONAL)

Fig. **82** スリットカップリング(オプション)
SLIT COUPLING(OPTIONAL)



OCF10-G50602 82. SLIT COUPLING(OPTIONAL)

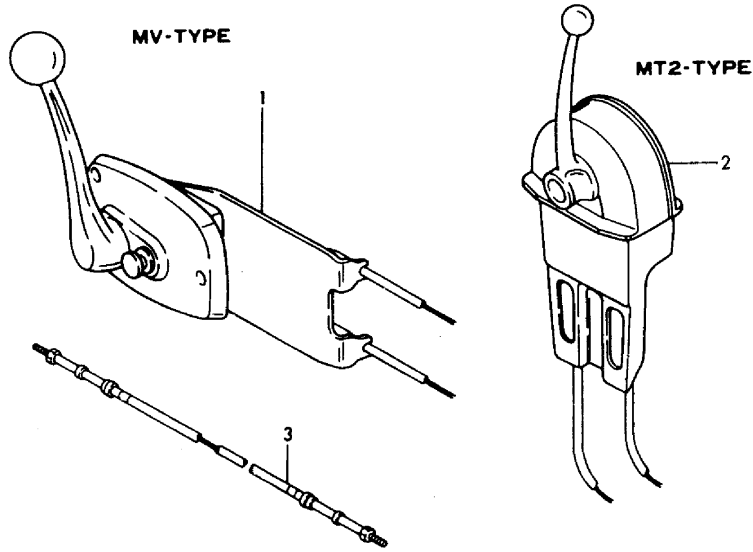
(A)=3GM30
(B)=3GM30VE
(C)=3GM30B

(D)=3GM30C
(E)=3GM30F
(F)=3GM30FVE

REF.	LEV.	PARTS NO.	DESCRIPTION	Q'TY						I	R
				(A)	(B)	(C)	(D)	(E)	(F)		
1	1	104214-83980	COUPLING (20), SLIT	1	1	1		1	1		
2	1	26106-100322	BOLT M10X 32 PLATED	4	4	4		4	4		
3	1	26450-080282	BOLT M 8X 28	4	4	4		4	4		
4	1	26706-100002	NUT M10	4	4	4		4	4		

Fig.83. SINGLE LEVER CONTROL(OPTIONAL)

Fig. **83** シングルレバーコントロール(オプション)
SINGLE LEVER CONTROL(OPTIONAL)



OCF10-G50602 83. SINGLE LEVER CONTROL(OPTIONAL)

(A)=3GM30
(B)=3GM30VE
(C)=3GM30B

(D)=3GM30C
(E)=3GM30F
(F)=3GM30FVE

REF.	LEV.	PARTS NO.	DESCRIPTION	Q'TY						I	R
				(A)	(B)	(C)	(D)	(E)	(F)		
1	1	128170-86500	MOUNT	1	1	1	1	1	1		
2	1	196311-34250	HEAD, REMOTE-CONTROL	1		1	1	1			
2-1	1	41730-000680	HEAD, REMOTE-CONTROL	1	1	1	1	1	1	1	S
3	1	41710-000380	CABLE L=4000	2	2	2	2	2	2		

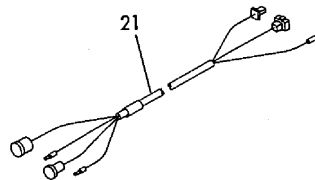
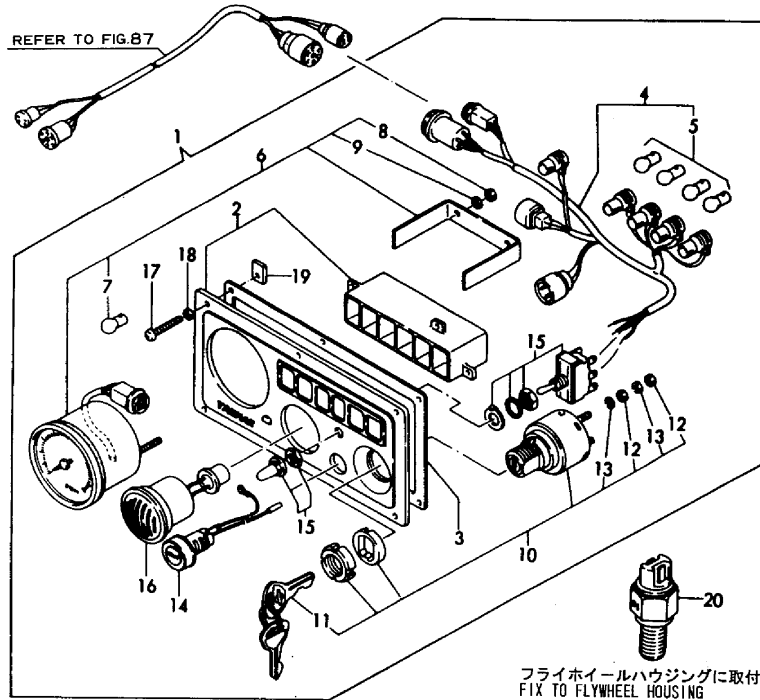
Fig.84. PANEL(B-TYPE)(OPTIONAL)

OCF10-G50602 84. PANEL(B-TYPE)(OPTIONAL)

(A)=3GM30
(B)=3GM30VE
(C)=3GM30B

(D)=3GM30C
(E)=3GM30F
(F)=3GM30FVE

Fig.84 計器盤(Bタイプ)(オプション)
PANEL(B-TYPE)(OPTIONAL)



REF.	LEV.	PARTS NO.	DESCRIPTION	Q'TY						I	R
				(A)	(B)	(C)	(D)	(E)	(F)		
1	1	128170-91001	PANEL ASSY, INSTRUM	1	1	1	1	1	1		
I 2	2	128170-91010	HOUSING, PANEL	1	1	1	1	1	1		
I 3	2	128170-91020	GASKET	1	1	1	1	1	1		
I 4	2	128170-91031	HARNES, WIRE	1	1	1	1	1	1		
5	3	46150-001110	BULB(12V3W/G11.BA9S)	4	4	4	4	4	4		
I 6	2	128170-91100	TACHOMETER (P=97)	1	1	1	1	1	1		
7	3	46150-001110	BULB(12V3W/G11.BA9S)	1	1	1	1	1	1		
8	3	26716-050002	NUT M 5	2	2	2	2	2	2		
9	3	22217-050000	SPRING WASHER 5	2	2	2	2	2	2		
I 10	2	124070-91250	SWITCH W/KEY	1	1	1	1	1	1		
11	3	124070-91290	KEY, SWITCH	1	1	1	1	1	1		
12	3	26716-050002	NUT M 5	4	4	4	4	4	4		
13	3	22217-050000	SPRING WASHER 5	4	4	4	4	4	4		
I 14	2	124070-91300	SWITCH	1	1	1	1	1	1		
I 15	2	128170-91310	SWITCH, LAMP	1	1	1	1	1	1		
I 16	2	104271-91351	BUZZER	1	1	1	1	1	1		
I 17	2	128170-91810	SCREW M5	6	6	6	6	6	6		
I 18	2	128170-91820	WASHER 5	6	6	6	6	6	6		
I 19	2	128170-91830	PLATE NUT M5	6	6	6	6	6	6		
20	1	128170-91160	SENSOR, TACHOMETER	1	1	1	1	1	1		
I 21	1	128391-77860	HARNES, WIRE	1	1	1	1	1	1		W

(A=E14020)

(C=E00396)

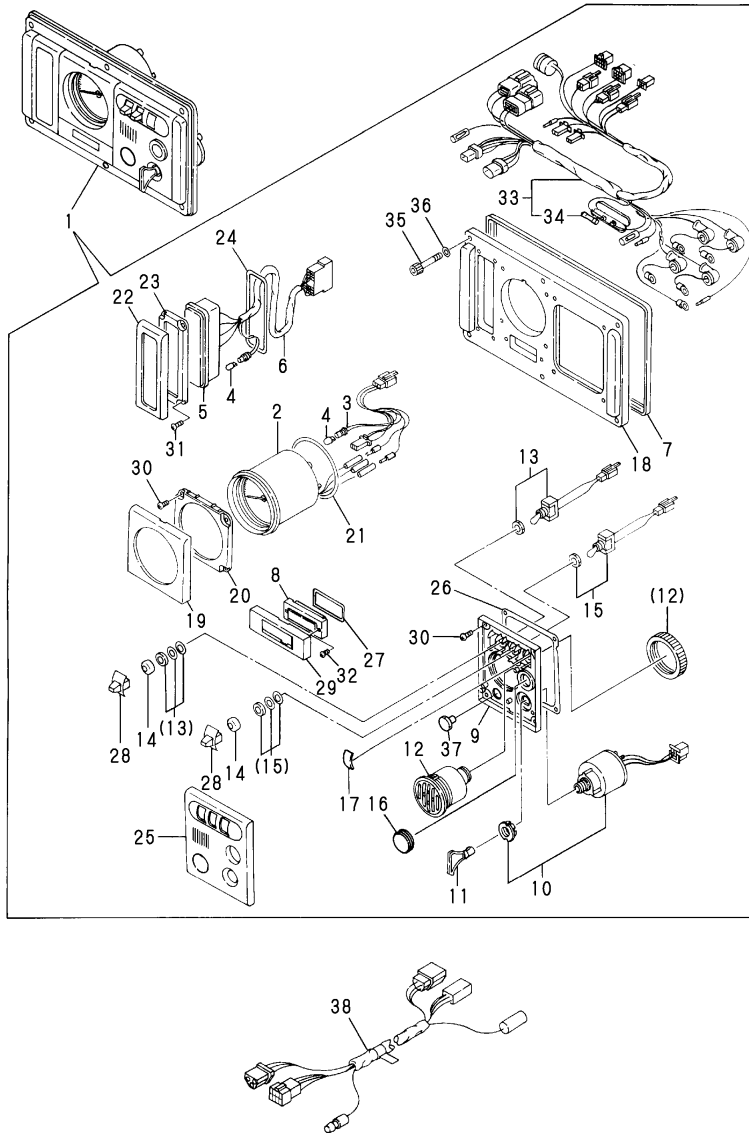
(D=E01583)

(E=E14015)

Fig.85. PANEL(B-TYPE,NEW,OPTIONAL)

P/C NEWS No:Y00F5062-3
PUBLISHED:2003/7

Fig.85 計器盤 (Bタイプ, 新形, オプション)
INSTRUMENT PANEL (B-TYPE, NEW, OPTIONAL)



(A)=3GM30
(B)=3GM30VE
(C)=3GM30B

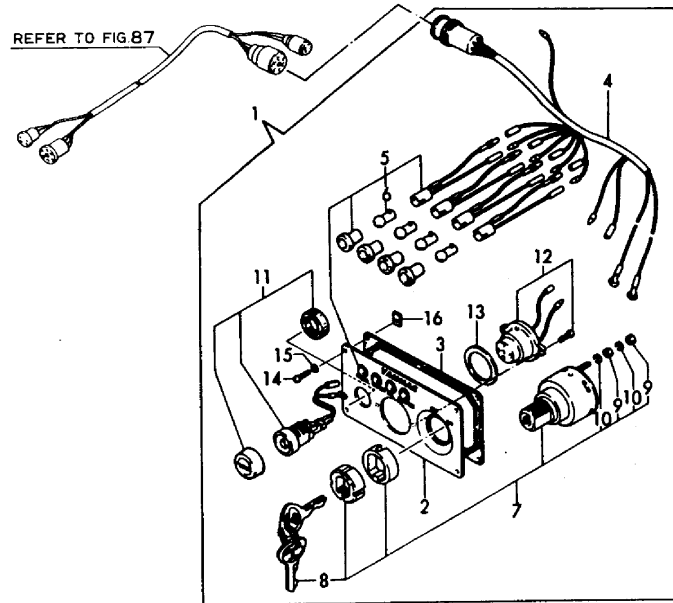
(D)=3GM30C
(E)=3GM30F
(F)=3GM30FVE

REF.	LEV.	PARTS NO.	DESCRIPTION	Q'TY						I	R	
				(A)	(B)	(C)	(D)	(E)	(F)			
1	1	128391-91130	PANEL ASSY, INSTRUM			1					1	
2	2	128391-91200	METER, TACHO./HOUR			1						
3	2	129574-91870	WIRE			1						
4	2	124617-91980	BULB			6						
I 5	2	119183-91860	WIRE			1						M
I 5-1	2	128391-91260	BOX, ARARM			1						
6	2	128391-91860	WIRE			1						
7	2	128391-91700	PACKING			1						
8	2	129170-91650	COVER			1						
9	2	129574-91410	BRACKET			1						
10	2	121575-91250	SWITCH W/KEY			1						
11	2	123482-91291	KEY, SWITCH			1						
12	2	104271-91352	BUZZER			1						
13	2	129170-91800	SWITCH			1						
14	2	129574-91780	CAP			2						
15	2	129574-91790	SWITCH			1						
16	2	120324-91690	BLIND			1						
17	2	129170-91810	BLIND			1						
18	2	128391-91930	PANEL			1						
19	2	129574-91620	COVER			1						
20	2	129574-91420	BRACKET			1						
21	2	129574-91720	GASKET			1						
22	2	128391-91640	COVER			1						
23	2	128391-91440	PLATE			1						
24	2	128391-91740	GASKET			1						
25	2	120324-91610	COVER			1						
26	2	129574-91710	GASKET			1						
27	2	129574-91750	GASKET			1						
28	2	129574-91770	KNOB			2						
29	2	129574-91650	COVER			1						
30	2	127692-91410	SCREW			8						
31	2	127692-91440	SCREW			4						
32	2	127692-91450	SCREW			2						
33	2	128391-91850	HARNESS, WIRE			1						
34	3	124617-91990	FUSE (3A)			1						
35	2	127687-91870	BOLT 6X 35			6						
36	2	127687-91880	WASHER			6						
I 37	2	129574-91760	BLIND			1						W
(C=*1994.01)												
38	1	128391-77700	HARNESS, WIRE(3M)			1						

Remarks
(1)FOR 3GM30B TYPE NEW PANEL
(E/#00396)
(M)MISPRINT:REFER TO THE NEXT ITEM.

Fig.86. PANEL(A-TYPE)(OPTIONAL)

Fig.86 計器盤(Aタイプ)(オプション)
PANEL(A-TYPE)(OPTIONAL)



OCF10-G50602 86. PANEL(A-TYPE)(OPTIONAL)

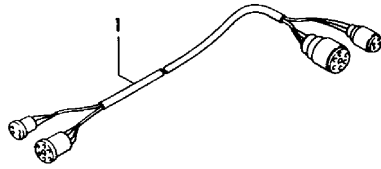
(A)=3GM30
(B)=3GM30VE
(C)=3GM30B

(D)=3GM30C
(E)=3GM30F
(F)=3GM30FVE

REF.	LEV.	PARTS NO.	DESCRIPTION	Q'TY						I	R
				(A)	(B)	(C)	(D)	(E)	(F)		
1	1	128371-91000	PANEL ASSY, INSTRUM				1				
2	2	128270-91010	HOUSING, PANEL				1				
3	2	128270-91020	PACKING				1				
4	2	128371-91030	HARNES, WIRE				1				
5	2	128270-91040	LAMP, PILOT				4				
6	3	46150-001110	BULB(12V3W/G11.BA9S)				4				
7	2	124070-91250	SWITCH W/KEY				1				
8	3	124070-91290	KEY, SWITCH				1				
9	3	26716-050002	NUT M 5				4				
10	3	22217-050000	SPRING WASHER 5				4				
11	2	124070-91300	SWITCH				1				
12	2	128270-91350	BUZZER, ALARM				1				
13	2	128270-91360	PACKING, BUZZER				1				
14	2	128170-91810	SCREW M5				4				
15	2	128170-91820	WASHER 5				4				
16	2	128170-91830	PLATE NUT M5				4				

Fig.87. EXTENSION WIRE(OPTIONAL)

Fig. **87** エクステンションコード(オプション)
EXTENSION WIRE(OPTIONAL)



OCF10-G50602 87. EXTENSION WIRE(OPTIONAL)

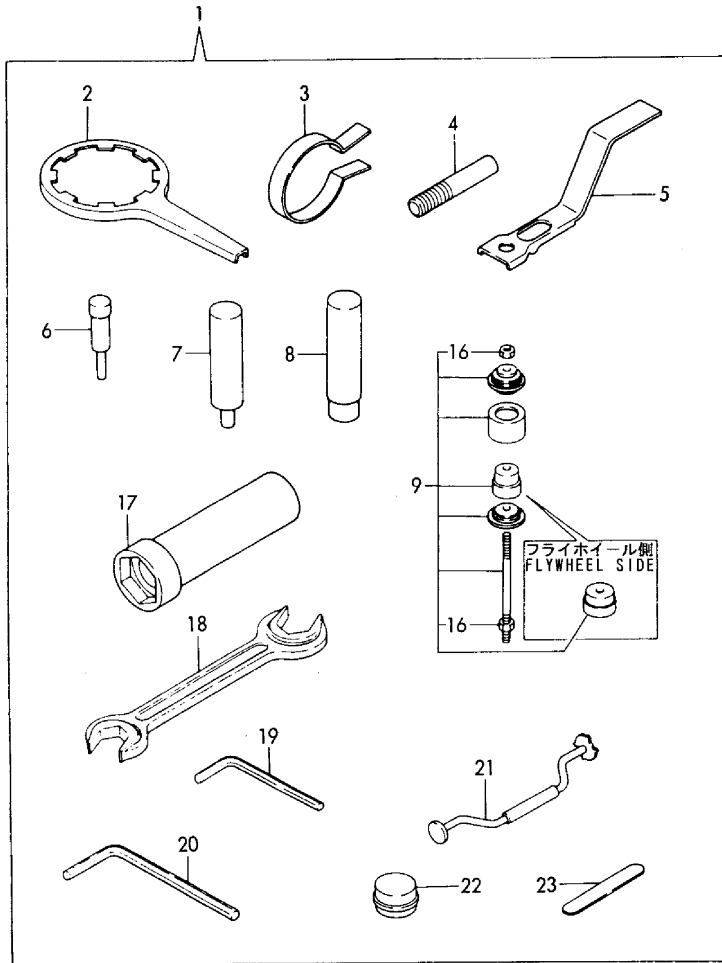
(A)=3GM30
(B)=3GM30VE
(C)=3GM30B

(D)=3GM30C
(E)=3GM30F
(F)=3GM30FVE

REF.	LEV.	PARTS NO.	DESCRIPTION	Q'TY						I	R
				(A)	(B)	(C)	(D)	(E)	(F)		
1	1	128170-77500	HARNESS, WIRE	1	1	1	1	1	1		

Fig.88. SPECIAL TOOL(OPTIONAL)

Fig. 88 特殊工具(オプション)
SPECIAL TOOL (OPTIONAL)



OCF10-G50602 88. SPECIAL TOOL(OPTIONAL)

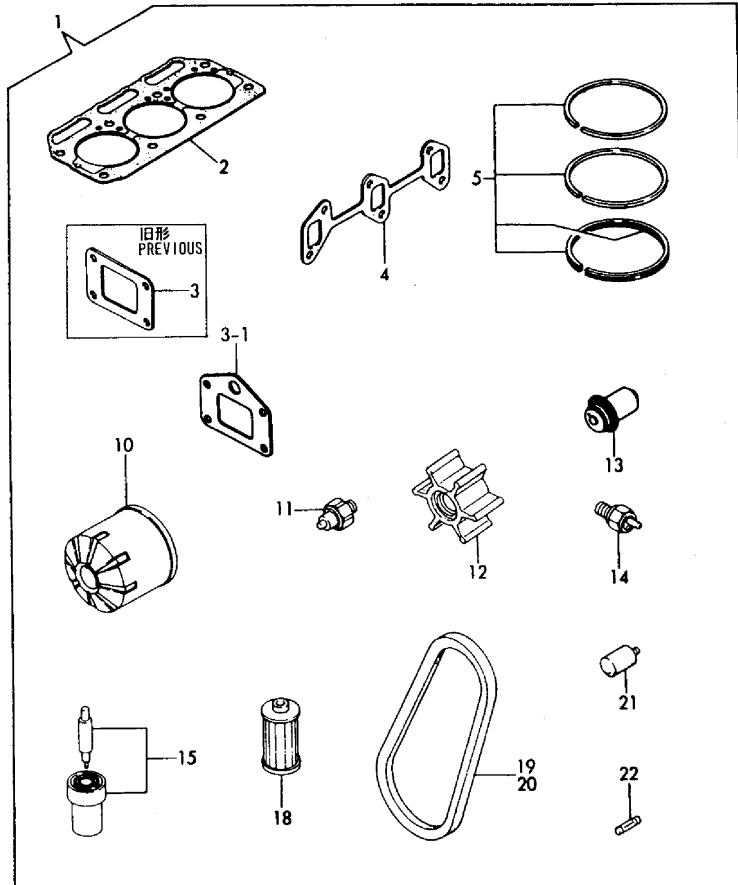
(A)=3GM30
(B)=3GM30VE
(C)=3GM30B

(D)=3GM30C
(E)=3GM30F
(F)=3GM30FVE

REF.	LEV.	PARTS NO.	DESCRIPTION	Q'TY						I	R
				(A)	(B)	(C)	(D)	(E)	(F)		
1	1	728270-92400	TOOL, ASSY, SPECIAL	1	1	1	1	1	1		
2	2	124550-35350	WRENCH, FILTER	1	1	1	1	1	1		
3	2	101200-92140	TOOL, PISTON&RING	1	1	1	1	1	1		
4	2	101104-92180	PULLER, NOZZLE	1	1	1	1	1	1		
5	2	124085-92210	REMOVER, VALVE	1	1	1	1	1	1		
6	2	124085-92250	REMOVER, VALVE GUIDE	1	1	1	1	1	1		
7	2	124085-92260	REMOVER, PISTON PIN	1	1	1	1	1	1		
8	2	124085-92270	REMOVER, PIN BUSH	1	1	1	1	1	1		
9	2	124085-92400	REPLACER, MAIN BERG.	1	1	1	1	1	1		
16	3	26716-160002	NUT M16	2	2	2	2	2	2		
17	2	124085-92700	WRENCH	1	1	1	1	1	1		
18	2	28110-270300	WRENCH 27X30	1	1	1	1	1	1		
19	2	28150-040000	BAR WRENCH	1	1	1	1	1	1		
20	2	28150-050000	BAR WRENCH	1	1	1	1	1	1		
21	2	28210-000031	RAPPING TOOL	1	1	1	1	1	1		
22	2	28210-000070	LAPPING POWDER	1	1	1	1	1	1		
23	2	28312-200750	THICKNESS GAUGE	1	1	1	1	1	1		

Fig.89. REPAIR PART(OPTIONAL)

Fig.89 スペアパーツ(オプション)
REPAIR PART(OPTIONAL)



OCF10-G50602 89. REPAIR PART(OPTIONAL)

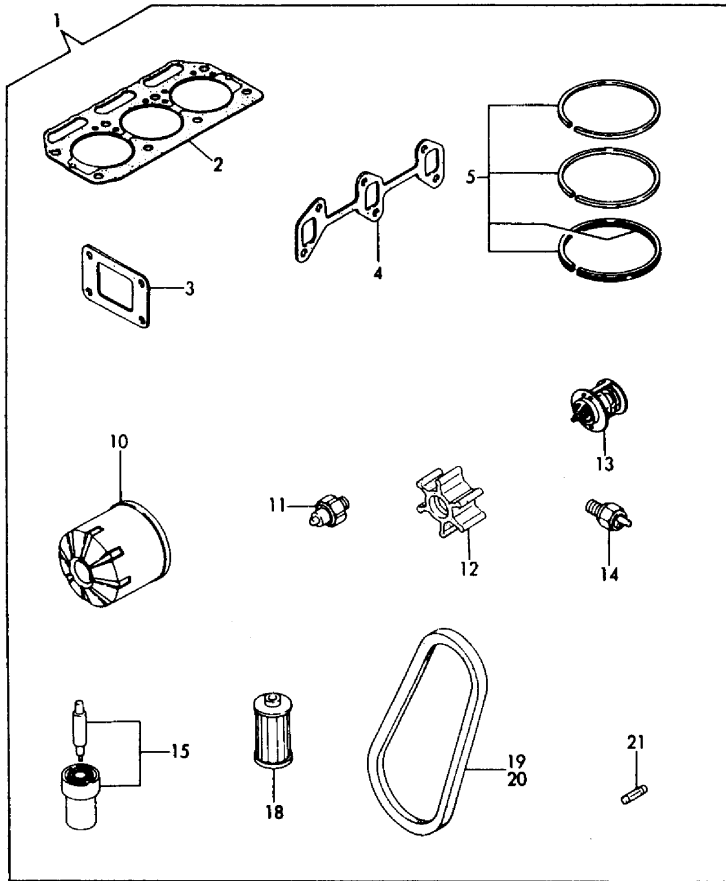
(A)=3GM30
(B)=3GM30VE
(C)=3GM30B

(D)=3GM30C
(E)=3GM30F
(F)=3GM30FVE

REF.	LEV.	PARTS NO.	DESCRIPTION	Q'TY						I	R
				(A)	(B)	(C)	(D)	(E)	(F)		
1	1	728374-92500	REPAIR SET	1	1	1	1				
2	2	128374-01330	GASKET, CYL. HEAD	1		1	1				
2-1	2	128374-01911	GASKET, CYL. HEAD	1	1	1	1				N
		(A=E04576)	(C=E00202)	(D=E00119)							
3	2	128370-13200	GASKET	1		1	1				
I	3-1	2 128370-13230	GASKET	1		1	1				S
		(A=E01538)	(C=E00133)	(D=E00212)							
I	3-2	2 128370-13231	GASKET	1	1	1	1				N
		(A=E05449)	(C=E00215)	(D=E00123)							
4	2	121450-13250	GASKET, EXH.MANIFOLD	1		1	1				
I	4-1	2 121450-13251	GASKET, (NON-ASB.)	1	1	1	1				N
		(A=E11532)	(C=E00343)	(D=E01203)							
5	2	705311-22500	RING SET	3	3	3	3				
10	2	124450-35100	FILTER, LUB. OIL	1		1	1				
I	10-1	2 119660-35150	FILTER, LUB. OIL	1	1	1	1				N
		(A=E11532)	(C=E00343)	(D=E01203)							
11	2	124060-39451	SENDER, OIL PRESSURE	1	1	1	1				
12	2	104211-42070	IMPELLER, C. WATER	1	1	1	1				
13	2	105582-49200	THERMOSTAT	1	1	1	1				
14	2	128275-91340	SWITCH, THERMO(65 C	1	1	1	1				
15	2	124770-53000	NOZZLE ASSY,F.INJECT	3	3	3	3				
18	2	104500-55710	ELEMENT, FUEL	1	1	1	1				
19	2	104511-78780	V-BELT	1	1	1	1				
20	2	128670-77350	V-BELT (A-31)	1	1	1	1				
21	2	27210-200300	ZINC, ANTI-CORROSIVE	3	3	3	3				
22	2	46150-003680	FUSE 30A	1	1	1	1				

Fig.90. REPAIR PART(OPTIONAL)

Fig.90 スペアパーツ(オプション)
REPAIR PART(OPTIONAL)



OCF10-G50602 90. REPAIR PART(OPTIONAL)

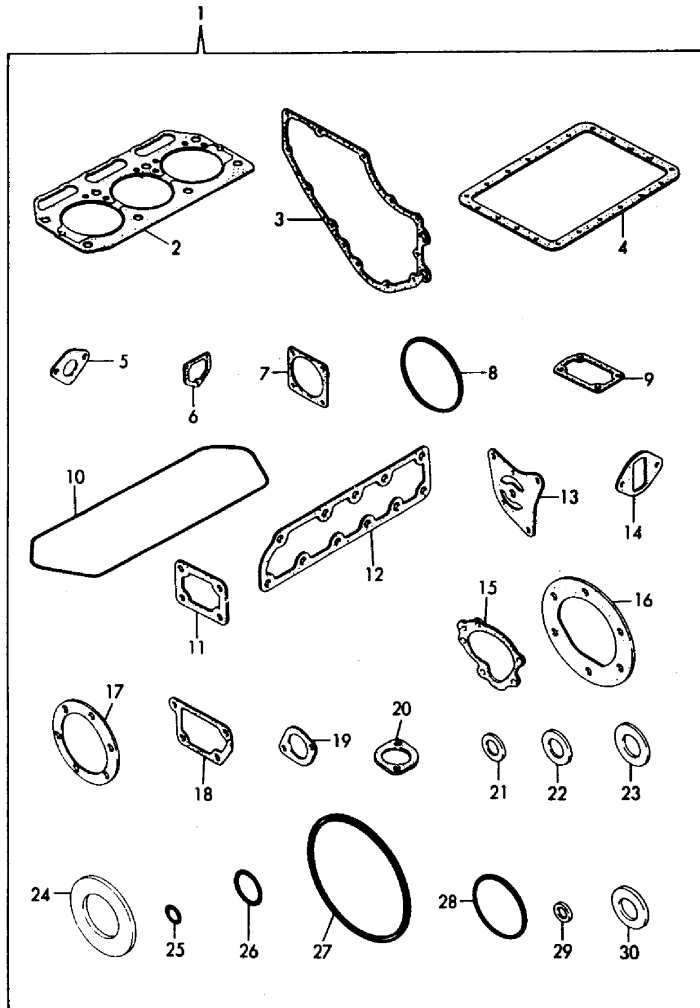
(A)=3GM30
(B)=3GM30VE
(C)=3GM30B

(D)=3GM30C
(E)=3GM30F
(F)=3GM30FVE

REF.	LEV.	PARTS NO.	DESCRIPTION	Q'TY						I	R
				(A)	(B)	(C)	(D)	(E)	(F)		
1	1	728391-92500	REPAIR SET					1	1		
2	2	128374-01330	GASKET, CYL. HEAD					1			
2-1	2	128374-01911	GASKET, CYL. HEAD					1	1	N	
				(E=E04594)							
3	2	128370-13200	GASKET					1			
I 3-1	2	128370-13201	GASKET, (NON-ASB.)					1	1	N	
				(E=E11515)							
4	2	121450-13250	GASKET, EXH.MANIFOLD					1			
I 4-1	2	121450-13251	GASKET, (NON-ASB.)					1	1	N	
				(E=E11515)							
5	2	705311-22500	RING SET					3	3		
10	2	124450-35100	FILTER, LUB. OIL					1			
I 10-1	2	119660-35150	FILTER, LUB. OIL					1	1	R	
				(E=E11515)							
11	2	124060-39451	SENDER, OIL PRESSURE					1	1		
12	2	124223-42091	IMPELLER, C. WATER					1	1		
13	2	121750-49800	THERMOSTAT					1	1		
14	2	127610-91350	SWITCH, THERMO					1	1		
15	2	124770-53000	NOZZLE ASSY,F.INJECT					3	3		
18	2	104500-55710	ELEMENT, FUEL					1	1		
19	2	104511-78780	V-BELT					1	1		
20	2	124732-42290	V-BELT (A-37)					1	1		
21	2	46150-003680	FUSE 30A					1	1		

Fig.91. GASKET SET(OPTIONAL)

Fig. 91 パッキンセット(オプション)
GASKET SET(OPTIONAL)



OCF10-G50602 91. GASKET SET(OPTIONAL)

(A)=3GM30 (D)=3GM30C
(B)=3GM30VE (E)=3GM30F
(C)=3GM30B (F)=3GM30FVE

REF.	LEV.	PARTS NO.	DESCRIPTION	QTY						I	R
				(A)	(B)	(C)	(D)	(E)	(F)		
1	1	728374-92600	GASKET SET	1	1	1	1	1	1		
2	2	128374-01330	GASKET, CYL. HEAD	1		1	1	1			
2-1	2	128374-01911	GASKET, CYL. HEAD	1	1	1	1	1	1	1	N
3	2	121575-01510	GASKET, GEAR HOUSING	1		1	1	1			
I 3-1	2	121575-01511	GASKET, (NON-ASB.)	1	1	1	1	1	1	1	N
4	2	121450-01751	GASKET, OIL SUMP	1	1	1	1	1	1	1	
5	2	121520-01850	GASKET, F.FEED PUMP	1		1	1	1			
I 5-1	2	121520-01851	GASKET, (NON-ASB.)	1	1	1	1	1	1	1	N
6	2	121575-01860	GASKET, COVER	1		1	1	1			
I 6-1	2	121575-01861	GASKET, (NON-ASB.)	1	1	1	1	1	1	1	N
7	2	124240-01882	GASKET, HYD.OIL PUMP	1		1	1	1			
I 7-1	2	124240-01883	GASKET, (NON-ASB.)	1	1	1	1	1	1	1	N
8	2	105225-02020	O-RING	1	1	1	1	1	1	1	
9	2	121000-03070	GASKET	1	1	1	1	1	1	1	
10	2	121450-11310	GASKET, BONNET	1	1	1	1	1	1	1	
11	2	121450-11680	GASKET, COVER	1		1	1	1			
I 11-1	2	121450-11681	GASKET, (NON-ASB.)	1	1	1	1	1	1	1	N
12	2	128370-13180	GASKET	1		1	1	1			
I 12-1	2	128370-13181	GASKET, (NON-ASB.)	1	1	1	1	1	1	1	N
13	2	121450-32021	GASKET, L.O.PUMP	1	1	1	1	1	1	1	
14	2	124160-34844	GASKET	1		1	1	1			
I 14-1	2	124160-34845	GASKET, (NON-ASB.)	1	1	1	1	1	1	1	N
15	2	121000-42051	GASKET, C.W.PUMP	1	1	1	1	1	1	1	
16	2	104211-42090	GASKET	1	1	1	1	1	1	1	
17	2	124223-42110	GASKET	1	1	1	1	1	1	1	
18	2	121450-44410	GASKET, BRACKET	1	1	1	1	1	1	1	
19	2	104211-49160	PACKING	1	1	1	1	1	1	1	
20	2	129350-49540	GASKET, THERMO.	1		1	1	1			
20-1	2	124736-49540	GASKET, THERMO.	1	1	1	1	1	1	1	S
21	2	23414-080000	GASKET 8, ROUND	20	20	20	20	20	20	20	
22	2	23414-100000	GASKET 10, ROUND	5	5	5	5	5	5	5	
23	2	23414-120000	GASKET 12, ROUND	20	20	20	20	20	20	20	
24	2	23414-250000	GASKET 25,ROUND	5	5	5	5	5	5	5	
25	2	24311-000100	O-RING 1A P-10.0	2	2	2	2	2	2	2	
26	2	24311-000160	O-RING 1A P-16.0	1	1	1	1	1	1	1	
27	2	24311-000700	O-RING 1A P-70.0	2	2	2	2	2	2	2	
28	2	24321-000350	O-RING 1A G-35.0	1	1	1	1	1	1	1	
29	2	43400-500390	SEAL WASHER 6S	2	2	2	2	2	2	2	
30	2	43400-500450	SEAL WASHER 12S	2	2	2	2	2	2	2	

Fig.92. CLUTCH HOUSING

(A)=KM3A

(B)=

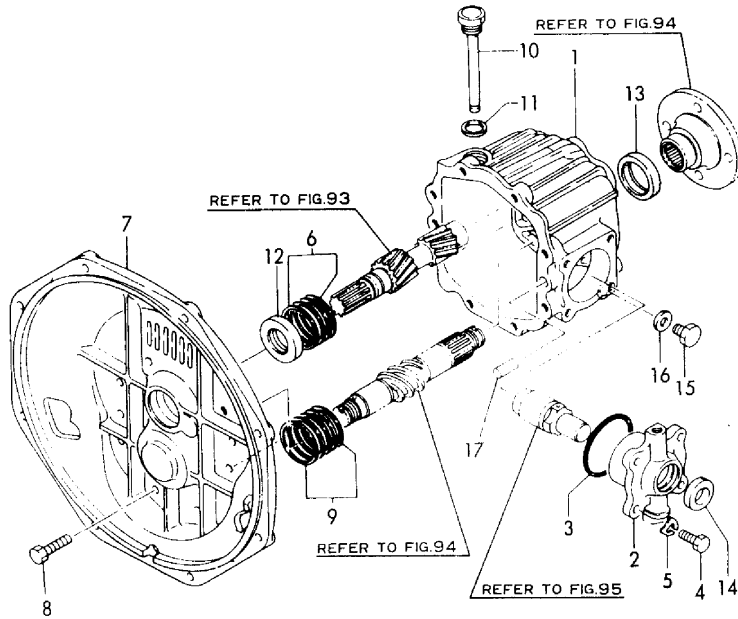
(C)=

(D)=

(E)=

(F)=

Fig. 92 クラッチケース
CLUTCH CASE



REF.	LEV.	PARTS NO.	DESCRIPTION	QTY						I	R
				(A)	(B)	(C)	(D)	(E)	(F)		
1	1	177070-02011	HOUSING, CLUTCH	1							
2	1	177088-02091	COVER, SIDE	1							
3	1	24341-000600	O-RING 1A S-60.0	1							
4	1	26116-080202	BOLT M 8X 20 PLATED	4							
5	1	22287-080000	LOCKING WASHER	4							
6	1	177088-02350	SHIM SET	1							
7	1	177070-02031	FLANGE, CLUTCH	1							
8	1	26116-080252	BOLT M 8X 25 PLATED	8							
9	1	177090-02250	SHIM SET	1							
10	1	177088-02450	DIPSTICK	1							
11	1	23414-160021	GASKET 16	1							
12	1	177088-02950	SEAL SC25 40 8, OIL	1							
13	1	177088-02961	SEAL MHA34 44 8,OIL	1							
14	1	177088-02970	SEAL, OIL	1							
15	1	23883-100002	PLUG 10	1							
16	1	23414-100000	GASKET 10, ROUND	1							
17	1	22312-100160	PARALLEL PIN 10X16	2							

Fig.93. INPUT SHAFT & SUPPORT SHAFT

(A)=KM3A

(B)=

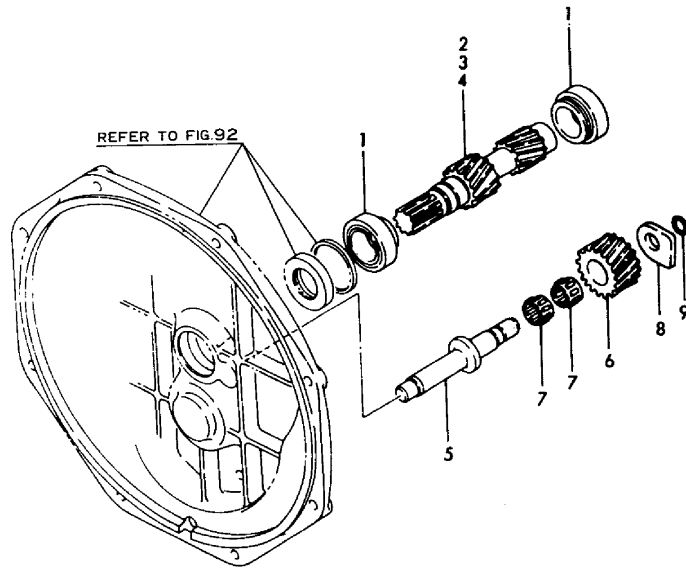
(C)=

(D)=

(E)=

(F)=

Fig. 93 インプットシャフト & サポートシャフト
INPUT SHAFT & SUPPORT SHAFT



REF.	LEV.	PARTS NO.	DESCRIPTION	Q'TY						I	R
				(A)	(B)	(C)	(D)	(E)	(F)		
1	1	177088-03400	ROLLER BERING	2							
2	1	177070-03030	SHAFT, INPUT	1							
3	1	177070-03010	SHAFT, INPUT	1							
4	1	177070-03020	SHAFT, INPUT	1							
5	1	177070-03301	SHAFT, REVERSE IDLE	1							
6	1	177088-03311	GEAR (Z=26), IDLE	1							
7	1	177088-03331	NEEDLE BERG.#K162213	2							
8	1	177088-03341	WASHER, THRUST	1							
9	1	24341-000120	O-RING 1A S-12.0	1							

Fig.94. OUTPUT SHAFT

OCF10-G50602 94. OUTPUT SHAFT

(A)=KM3A

(B)=

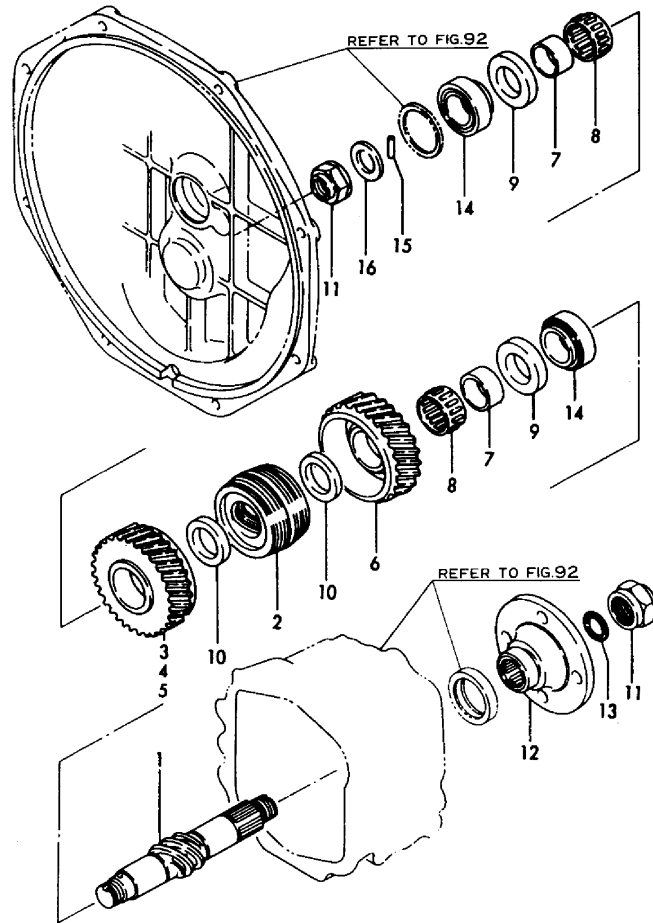
(C)=

(D)=

(E)=

(F)=

Fig. 94 アウトプットシャフト
OUTPUT SHAFT



REF.	LEV.	PARTS NO.	DESCRIPTION	QTY						I	R
				(A)	(B)	(C)	(D)	(E)	(F)		
1	1	177070-03040	SHAFT, OUTPUT	1							
2	1	177070-03070	CONE,DRIVE	1							
3	1	177070-03130	GEAR (Z=59), FORWARD	1							
4	1	177070-03111	GEAR (Z=60), REV.	1							
5	1	177070-03121	GEAR (Z=64), FORWARD	1							
6	1	177070-03111	GEAR (Z=60), REV.	1							
7	1	177070-03190	RACE, BEARING INNER	2							
8	1	177070-03200	NEEDLE BEARING	2							
9	1	177070-03230	COLLAR (A), THRUST	2							
10	1	177070-03250	COLLAR (B), THRUST	2							
11	1	177088-03272	NUT	2							
12	1	177070-03550	COUPLING, OUTPUT	1							
13	1	24311-000210	O-RING 1A P-21.0	1							
14	1	24141-302050	ROLLER BEARING	2							
15	1	177088-03290	PIN 4D-22L	1							
16	1	177088-03280	COLLAR 32D-45T	1							

Fig.95. REMOTE CONTROL DEVICE

(A)=KM3A

(B)=

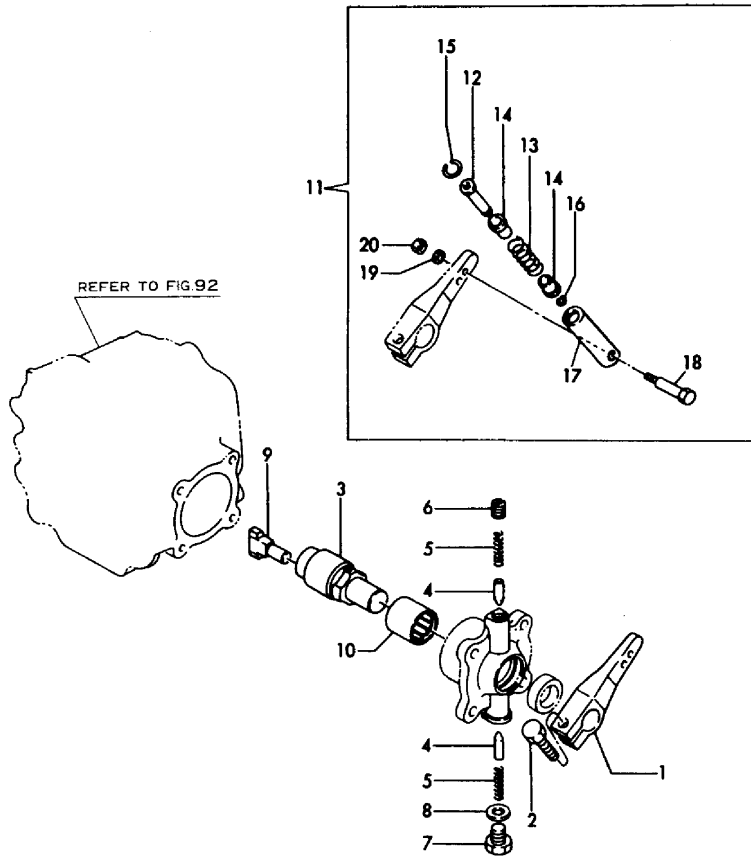
(C)=

(D)=

(E)=

(F)=

Fig. 95 操纵装置
REMOTE CONTROL DEVICE



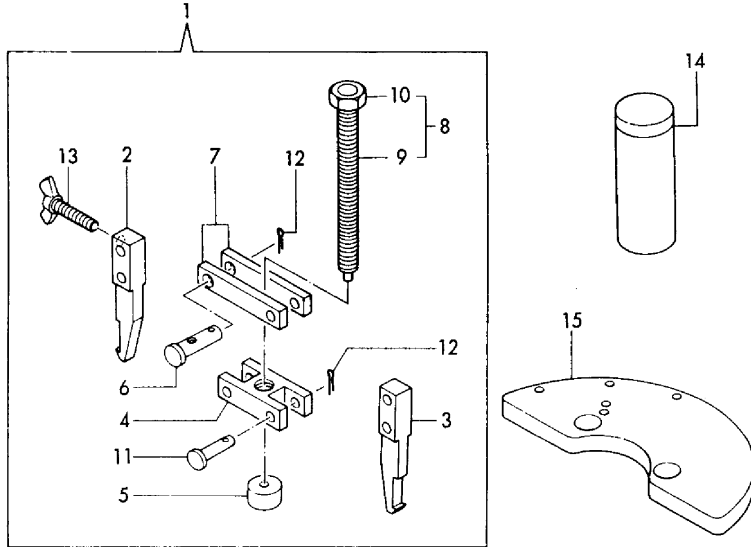
REF.	LEV.	PARTS NO.	DESCRIPTION	QTY						I	R
				(A)	(B)	(C)	(D)	(E)	(F)		
1	1	177095-06040	LEVER	1							
2	1	26106-080252	BOLT M 8X 25 PLATED	1							
3	1	177088-06010	SHAFT	1							
4	1	177095-03190	PIN	2							
5	1	177088-06020	SPRING	2							
6	1	26911-100102	SCREW M10X10	1							
7	1	23883-100002	PLUG 10	1							
8	1	23414-100000	GASKET 10, ROUND	1							
9	1	177088-06050	SHIFTER	1							
10	1	177088-06070	NEEDLE BERG. #HK3026	1							
11	1	177088-06090	CONNECTOR ASSY	1							
12	2	177088-06120	CONNECTOR	1							
13	2	177088-06170	SPRING, SHIFT	1							
14	2	177088-06140	RETAINER, SPRING	2							
15	2	177088-06150	CIRCLIP	1							
16	2	177088-06160	CIRCLIP	1							
17	2	177088-06110	HOLDER	1							
18	2	177088-06100	CONNECTOR, HOLDER	1							
19	2	22117-060000	WASHER 6	1							
20	2	26716-060002	NUT 6	1							

Fig.96. TOOL(OPTIONAL)

(A)=KM3A
(B)=
(C)=

(D)=
(E)=
(F)=

Fig.96 工具(オプション)
TOOL (OPTIONAL)



REF.	LEV.	PARTS NO.	DESCRIPTION	Q'TY						I	R
				(A)	(B)	(C)	(D)	(E)	(F)		
1	1	177088-09010	TOOLS ASSY	1							
2	2	177088-09020	TOOL A	1							
3	2	177088-09030	TOOL B	1							
4	2	177088-09040	BRACKET	1							
5	2	177088-09050	RETAINER	1							
6	2	177088-09060	PIN	1							
7	2	177088-09070	PLATE	2							
8	2	177088-09080	BOLT ASSY	1							
9	3	177088-09090	BOLT	1							
10	3	26736-100002	NUT M10	1							
11	2	22487-060240	PIN 6X 24	3							
12	2	22414-160120	COTTER PIN 1.6X12	4							
13	2	26646-040352	WING BOLT	1							
14	1	177088-09150	TOOL, DRIVE	1							
15	1	177088-09160	JIG, LEVER LOCATING	1							

Fig.97. CLUTCH HOUSING

(A)=KM3P

(B)=

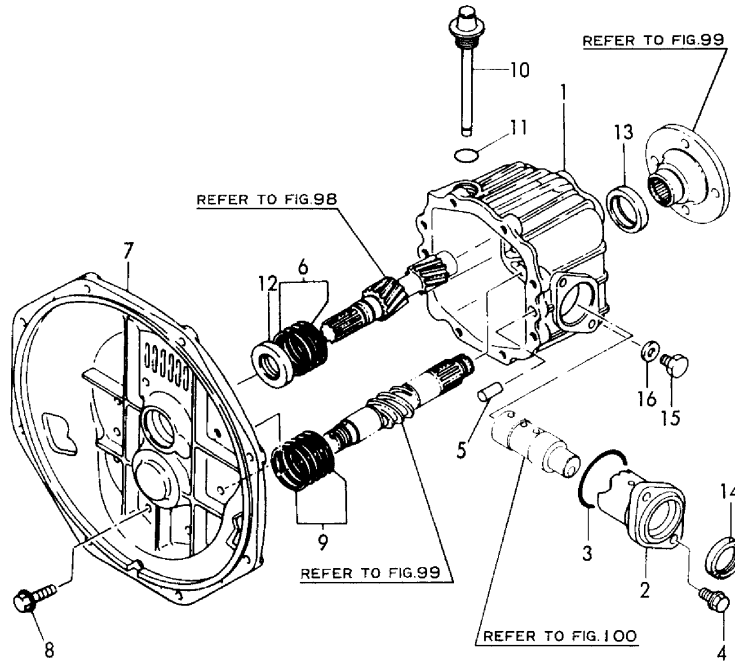
(C)=

(D)=

(E)=

(F)=

Fig.97 クラッチケース
CLUTCH HOUSING



REF.	LEV.	PARTS NO.	DESCRIPTION	QTY						I	R
				(A)	(B)	(C)	(D)	(E)	(F)		
1	1	177070-02012	HOUSING, CLUTCH	1							
2	1	177088-02120	COVER, SIDE	1							
3	1	24321-000400	O-RING 1A G-40.0	1							
4	1	26013-080252	BOLT M 8X 25	2							
5	1	22312-100160	PARALLEL PIN 10X16	2							
6	1	177088-02350	SHIM SET	1							
7	1	177070-02031	FLANGE, CLUTCH	1							
8	1	26106-080252	BOLT M 8X 25 PLATED	8							
9	1	177088-02300	SHIM SET	1							
10	1	177088-02451	DIPSTICK, LUB. OIL	1							
11	1	24311-000180	O-RING 1A P-18.0	1							
12	1	177088-02950	SEAL SC25 40 8, OIL	1							
13	1	177088-02961	SEAL MHA34 44 8,OIL	1							
14	1	24421-284008	SEAL TC28 40 08, OIL	1							
15	1	23887-100002	PLUG 10	1							
16	1	23414-100000	GASKET 10, ROUND	1							

Fig.98. INPUT SHAFT & SUPPORT SHAFT

(A)=KM3P

(B)=

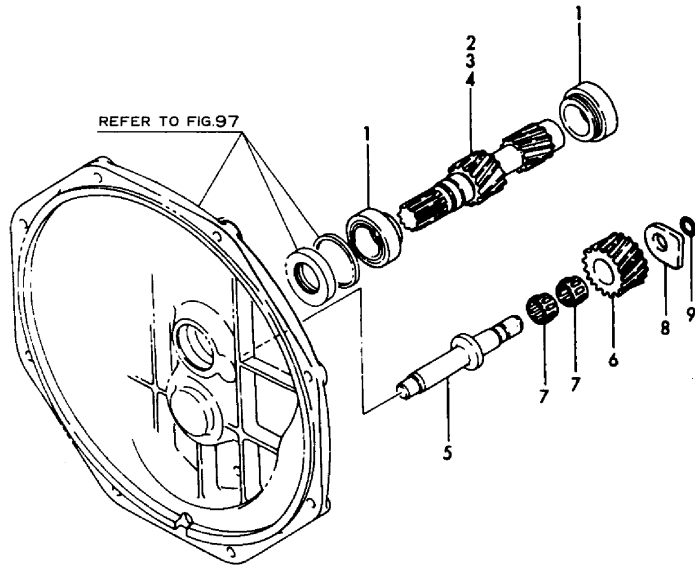
(C)=

(D)=

(E)=

(F)=

Fig. 98 インプットシャフト & サポートシャフト
INPUT SHAFT & SUPPORT SHAFT



REF.	LEV.	PARTS NO.	DESCRIPTION	Q'TY						I	R
				(A)	(B)	(C)	(D)	(E)	(F)		
1	1	177088-03400	ROLLER BERING	2							
2	1	177070-03031	SHAFT, INPUT I=2.36	1							
3	1	177070-03011	SHAFT, INPUT I=2.61	1							
4	1	177070-03021	SHAFT, INPUT I=3.20	1							
5	1	177070-03302	SHAFT, IDLE GEAR	1							
6	1	177088-03311	GEAR (Z=26), IDLE	1							
7	1	177088-03331	NEEDLE BERG.#K162213	2							
8	1	177088-03341	WASHER, THRUST	1							
9	1	24341-000120	O-RING 1A S-12.0	1							

Fig.99. OUTPUT SHAFT

(A)=KM3P

(B)=

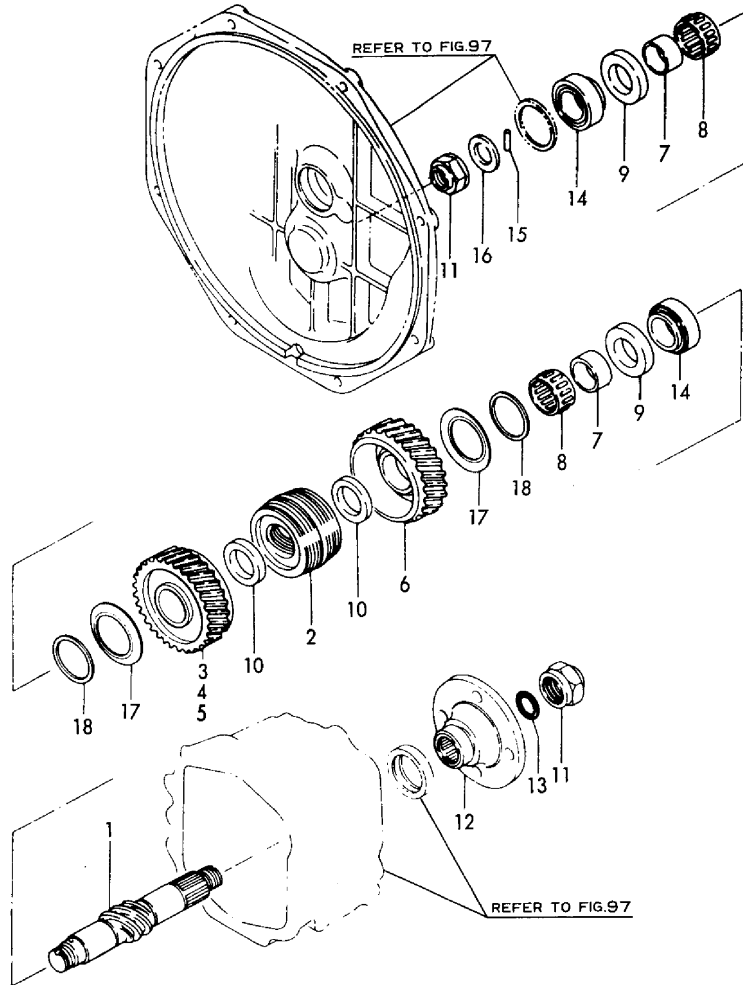
(C)=

(D)=

(E)=

(F)=

Fig.99 アウトプットシャフト
OUTPUT SHAFT



REF.	LEV.	PARTS NO.	DESCRIPTION	QTY						I	R
				(A)	(B)	(C)	(D)	(E)	(F)		
1	1	177070-03041	SHAFT,OUTPUT	1							
2	1	177070-03071	CONE,DRIVE	1							
3	1	177070-03131	GEAR,FORWARD 59	1							
4	1	177070-03112	GEAR,FORWARD 60	1							
5	1	177070-03122	GEAR,FORWARD 64	1							
6	1	177070-03112	GEAR,FORWARD 60	1							
7	1	177070-03190	RACE, BEARING INNER	2							
8	1	177070-03200	NEEDLE BEARING	2							
9	1	177070-03231	COLLAR (A), THRUST	2							
10	1	177070-03250	COLLAR (B), THRUST	2							
11	1	177088-03272	NUT	2							
12	1	177070-03550	COUPLING, OUTPUT	1							
13	1	24311-000210	O-RING 1A P-21.0	1							
14	1	24141-302050	ROLLER BEARING	2							
15	1	177088-03290	PIN 4D-22L	1							
16	1	177088-03280	COLLAR 32D-45T	1							
17	1	177088-03540	SPRING	2							
18	1	177073-03340	RETAINER	2							

Fig.100. REMOTE CONTROL DEVICE

(A)=KM3P

(B)=

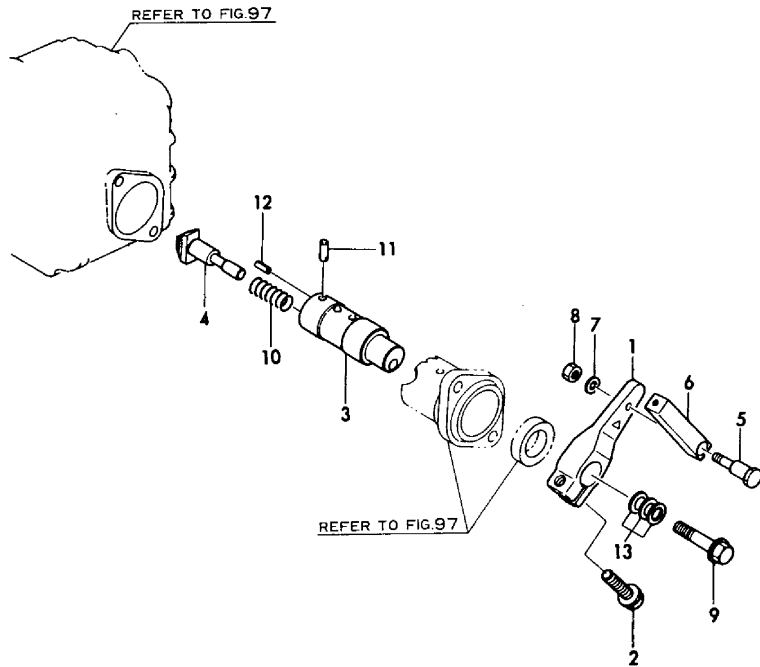
(C)=

(D)=

(E)=

(F)=

Fig. 100 操縦装置
REMOTE CONTROL DEVICE



REF.	LEV.	PARTS NO.	DESCRIPTION	QTY						I	R
				(A)	(B)	(C)	(D)	(E)	(F)		
1	1	177088-06400	LEVER	1							
2	1	26106-080252	BOLT M 8X 25 PLATED	1							
3	1	177088-06350	SHAFT, CONTROL	1							
4	1	177088-06390	SHIFTER	1							
5	1	177088-06101	CONNECTOR	1							
6	1	177088-06410	HOLDER	1							
7	1	22137-060000	WASHER 6, POLISHED	1							
8	1	26716-060002	NUT 6	1							
9	1	177088-06360	BOLT	1							
10	1	177088-06370	SPRING	1							
11	1	196322-06610	PIN 5X18	1							
12	1	22351-020012	SPRING PIN 2X 12	1							
13	1	177088-06380	SHIM SET	1							

Fig.101. TOOL(OPTIONAL)

(A)=KM3P

(B)=

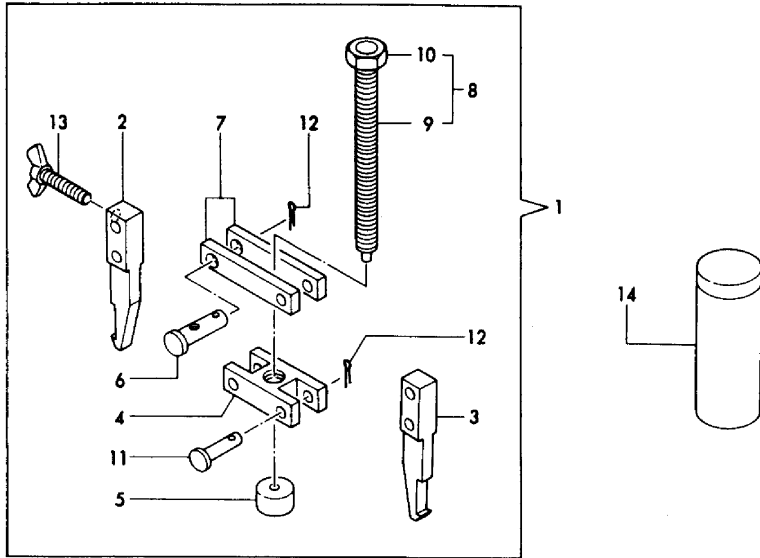
(C)=

(D)=

(E)=

(F)=

Fig. **101** 工具(オプション)
TOOL (OPTIONAL)



REF.	LEV.	PARTS NO.	DESCRIPTION	Q'TY						I	R
				(A)	(B)	(C)	(D)	(E)	(F)		
1	1	177088-09010	TOOLS ASSY	1							
2	2	177088-09020	TOOL A	1							
3	2	177088-09030	TOOL B	1							
4	2	177088-09040	BRACKET	1							
5	2	177088-09050	RETAINER	1							
6	2	177088-09060	PIN	1							
7	2	177088-09070	PLATE	2							
8	2	177088-09080	BOLT ASSY	1							
9	3	177088-09090	BOLT	1							
10	3	26736-100002	NUT M10	1							
11	2	22487-060240	PIN 6X 24	3							
12	2	22414-160120	COTTER PIN 1.6X12	4							
13	2	26646-040352	WING BOLT	1							
14	1	177088-09150	TOOL, DRIVE	1							

Fig.102. CLUTCH HOUSING

(A)=KM3V

(B)=

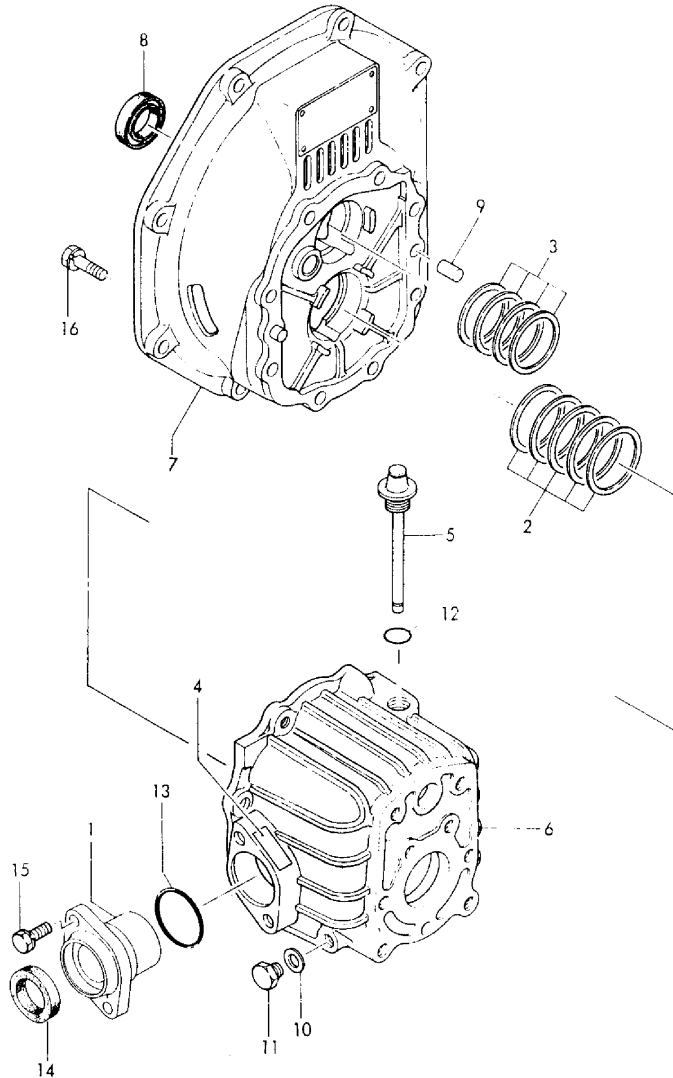
(C)=

(D)=

(E)=

(F)=

Fig. **102** クラッチケース
CLUTCH CASE



REF.	LEV.	PARTS NO.	DESCRIPTION	QTY						I	R
				(A)	(B)	(C)	(D)	(E)	(F)		
1	1	177088-02120	COVER, SIDE	1							
2	1	177088-02300	SHIM SET	1							
3	1	177088-02350	SHIM SET	1							
4	1	177088-02430	LABEL	1							
5	1	177088-02451	DIPSTICK, LUB. OIL	1							
6	1	177070-02511	CASE	1							
7	1	177070-02520	FLANGE	1							
8	1	177088-02950	SEAL SC25 40 8, OIL	1							
9	1	22312-100160	PARALLEL PIN 10X16	2							
10	1	23414-100000	GASKET 10, ROUND	1							
11	1	23887-100002	PLUG 10	1							
12	1	24311-000180	O-RING 1A P-18.0	1							
13	1	24321-000400	O-RING 1A G-40.0	1							
14	1	24421-284008	SEAL TC28 40 08, OIL	1							
15	1	26013-080252	BOLT M 8X 25	2							
16	1	26016-080252	BOLT M 8X 25	8							

Fig.103. V-DRIVE HOUSING

(A)=KM3V

(B)=

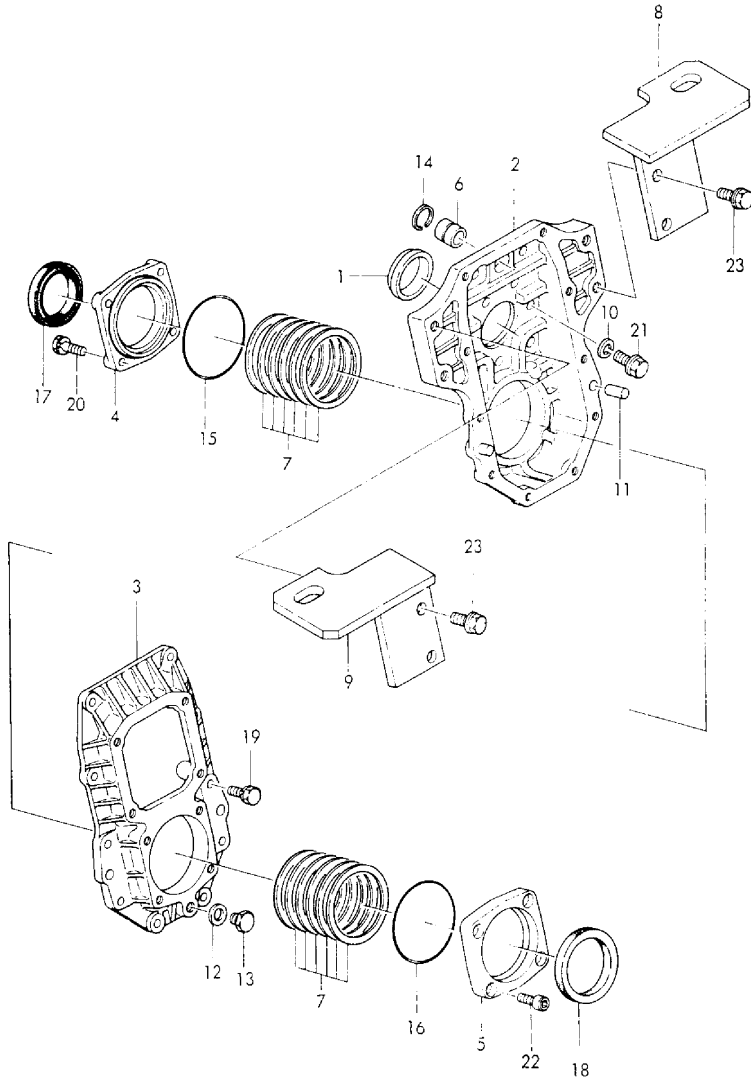
(C)=

(D)=

(E)=

(F)=

Fig. **103** Vドライブケース
V-DRIVE HOUSING



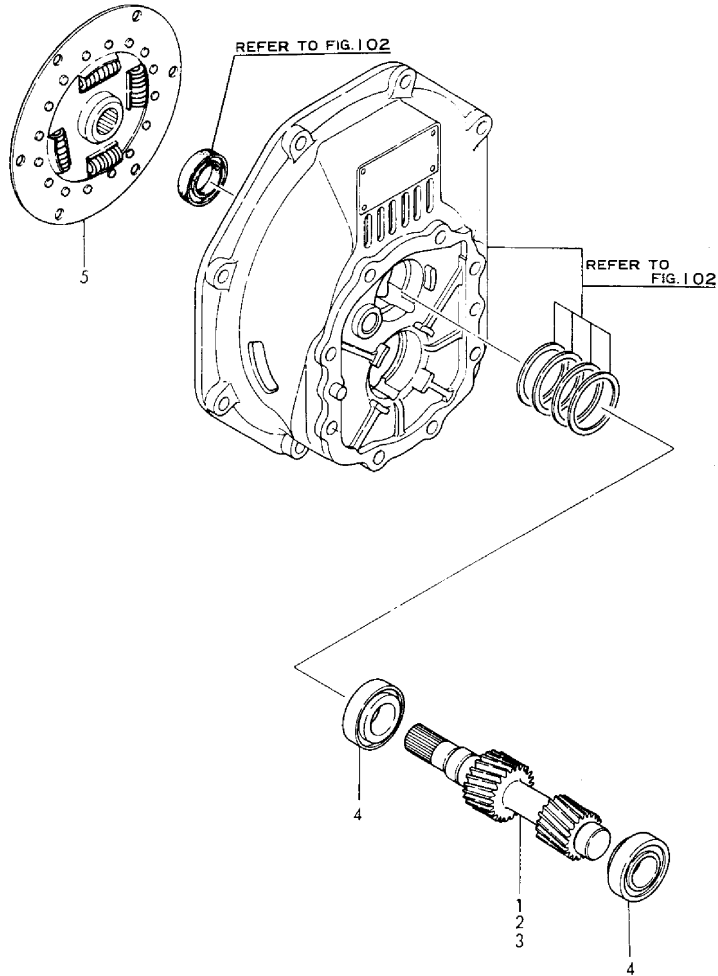
REF.	LEV.	PARTS NO.	DESCRIPTION	Q'TY						I	R
				(A)	(B)	(C)	(D)	(E)	(F)		
1	1	177070-02680	BUSH	1							
2	1	177070-02801	HOUSING(A), V-DRIVE	1							
3	1	177070-02811	HOUSING(B), V-DRIVE	1							
4	1	177070-02820	COVER(A)	1							
5	1	177070-02830	COVER(B)	1							
6	1	177070-02840	PARALLEL PIN	1							
7	1	177070-02850	SHIM SET	2							
8	1	177070-02900	BRACKET(R)	1							
9	1	177070-02910	BRACKET(L)	1							
10	1	22287-100000	WASHER 10	8							
11	1	22312-100160	PARALLEL PIN 10X16	2							
12	1	23414-100000	GASKET 10, ROUND	1							
13	1	23887-100002	PLUG 10	1							
14	1	24164-000202	CIRCLIP 20-S	1							
15	1	24341-000750	O-RING 1A S-75.0	1							
16	1	24341-000750	O-RING 1A S-75.0	1							
17	1	24421-456209	SEAL TC 456209, OIL	1							
18	1	24421-557209	SEAL TC55 72 09, OIL	1							
19	1	26016-080252	BOLT M 8X 25	10							
20	1	26016-080252	BOLT M 8X 25	4							
21	1	26106-100252	BOLT M10X 25 PLATED	8							
22	1	26450-080202	BOLT M 8X 20	4							
23	1	26106-100252	BOLT M10X 25 PLATED	4							

Fig.104. INPUT SHAFT

(A)=KM3V
(B)=
(C)=

(D)=
(E)=
(F)=

Fig. **104** インプットシャフト
INPUT SHAFT



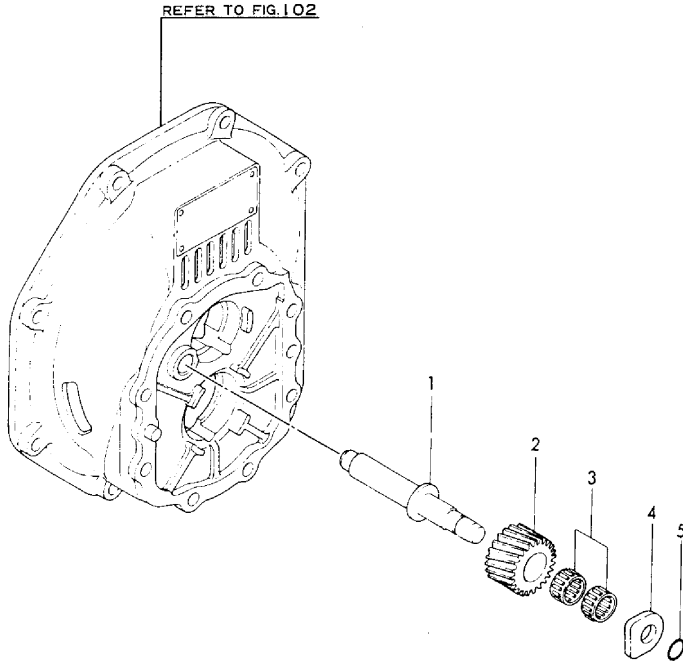
REF.	LEV.	PARTS NO.	DESCRIPTION	QTY						I	R
				(A)	(B)	(C)	(D)	(E)	(F)		
1	1	177070-03011	SHAFT, INPUT I=2.61	1							
2	1	177070-03021	SHAFT, INPUT I=3.20	1							
3	1	177070-03031	SHAFT, INPUT I=2.36	1							
4	1	177088-03400	ROLLER BERING	2							
5	1	177070-03500	DISK, DAMPER	1							

Fig.105. SUPPORT SHAFT

(A)=KM3V
(B)=
(C)=

(D)=
(E)=
(F)=

Fig. **105** サポートシャフト
SUPPORT SHAFT



REF.	LEV.	PARTS NO.	DESCRIPTION	Q'TY						I	R
				(A)	(B)	(C)	(D)	(E)	(F)		
1	1	177070-03302	SHAFT, IDLE GEAR	1							
2	1	177088-03311	GEAR (Z=26), IDLE	1							
3	1	177088-03331	NEEDLE BERG.#K162213	2							
4	1	177088-03341	WASHER, THRUST	1							
5	1	24341-000120	O-RING 1A S-12.0	1							

Fig.106. OUTPUT SHAFT

(A)=KM3V

(B)=

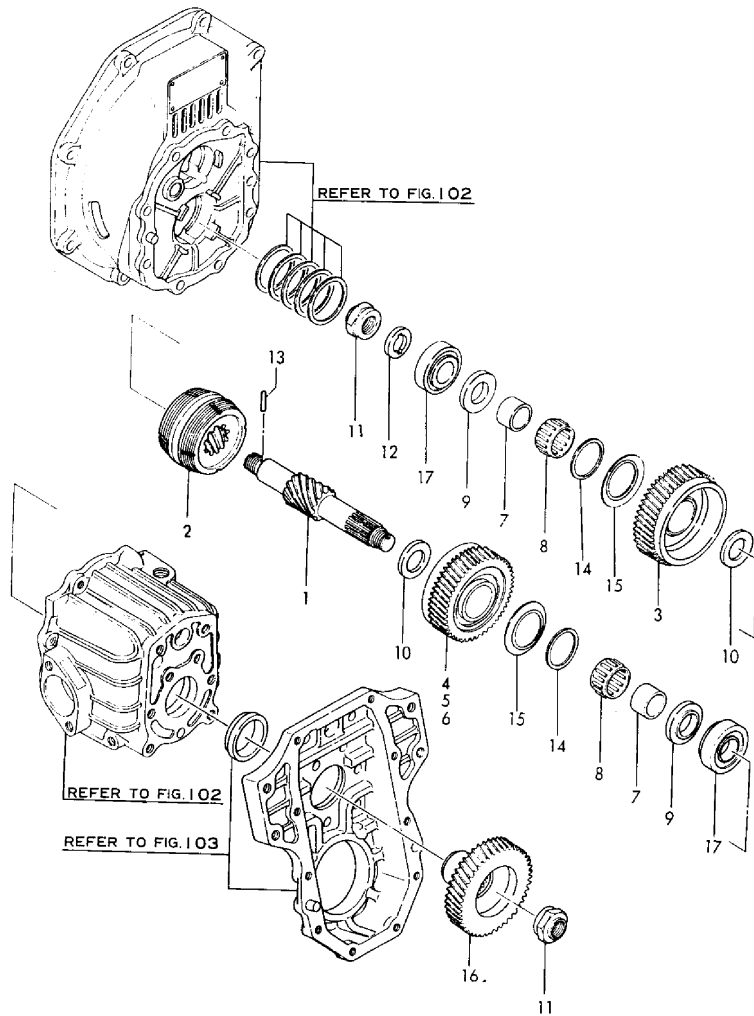
(C)=

(D)=

(E)=

(F)=

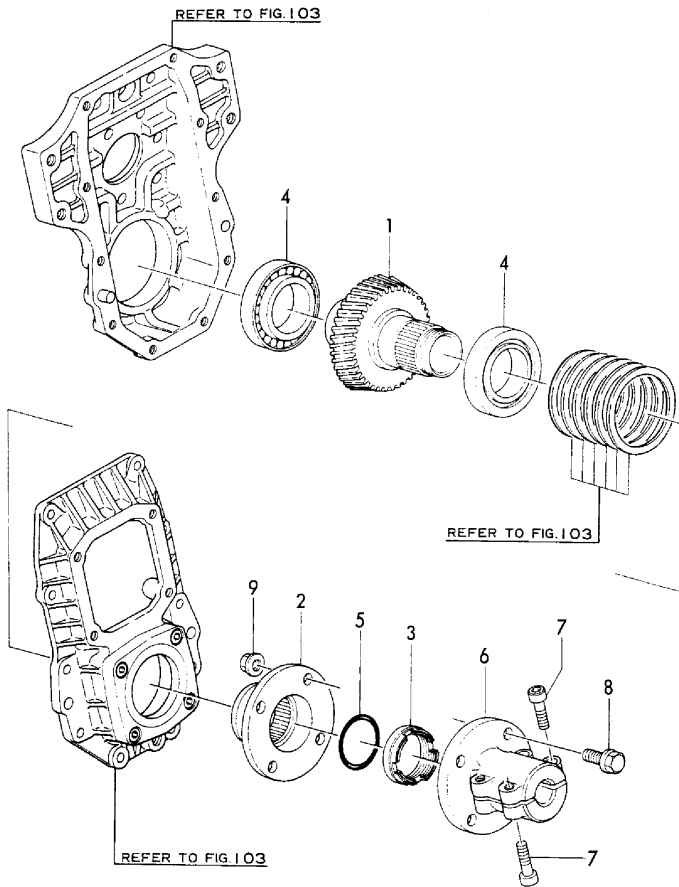
Fig. **106** アウトプットシャフト
OUTPUT SHAFT



REF.	LEV.	PARTS NO.	DESCRIPTION	QTY						I	R
				(A)	(B)	(C)	(D)	(E)	(F)		
1	1	177070-03041	SHAFT,OUTPUT	1							
2	1	177070-03071	CONE,DRIVE	1							
3	1	177070-03112	GEAR,FORWARD 60	1							
4	1	177070-03112	GEAR,FORWARD 60	1							
5	1	177070-03122	GEAR,FORWARD 64	1							
6	1	177070-03131	GEAR,FORWARD 59	1							
7	1	177070-03190	RACE, BEARING INNER	2							
8	1	177070-03200	NEEDLE BEARING	2							
9	1	177070-03231	COLLAR (A), THRUST	2							
10	1	177070-03250	COLLAR (B), THRUST	2							
11	1	177088-03272	NUT	2							
12	1	177088-03280	COLLAR 32D-45T	1							
13	1	177088-03290	PIN 4D-22L	1							
14	1	177073-03340	RETAINER	2							
15	1	177088-03540	SPRING	2							
16	1	177070-03600	GEAR Z46	1							
17	1	24141-302050	ROLLER BEARING	2							

Fig.107. V-DRIVE SHAFT

Fig. **107** Vドライブシャフト
V-DRIVE SHAFT



(A)=KM3V

(B)=

(C)=

(D)=

(E)=

(F)=

REF.	LEV.	PARTS NO.	DESCRIPTION	QTY						I	R	
				(A)	(B)	(C)	(D)	(E)	(F)			
1	1	177070-03610	V-DRIVE SHAFT Z46	1								
2	1	177070-03620	COUPLING	1								
3	1	177070-03630	LOCK NUT	1								
4	1	24141-320090	BEARING	2								
5	1	24321-000400	O-RING 1A G-40.0	1								
6	1	104214-83980	COUPLING (20), SLIT	1								1
7	1	26206-100302	BOLT M10X30	4								1
8	1	26450-080302	BOLT M 8X 30	4								1
9	1	26706-100002	NUT M10	4								1

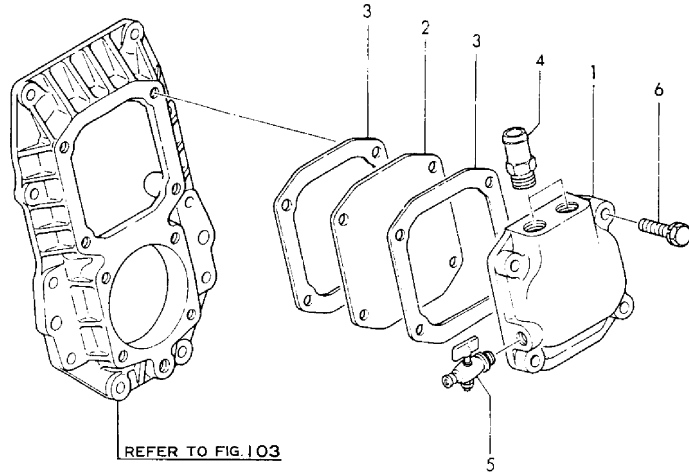
Remarks
1) OPTIONAL

Fig.108. LUB. OIL COOLER

(A)=KM3V
(B)=
(C)=

(D)=
(E)=
(F)=

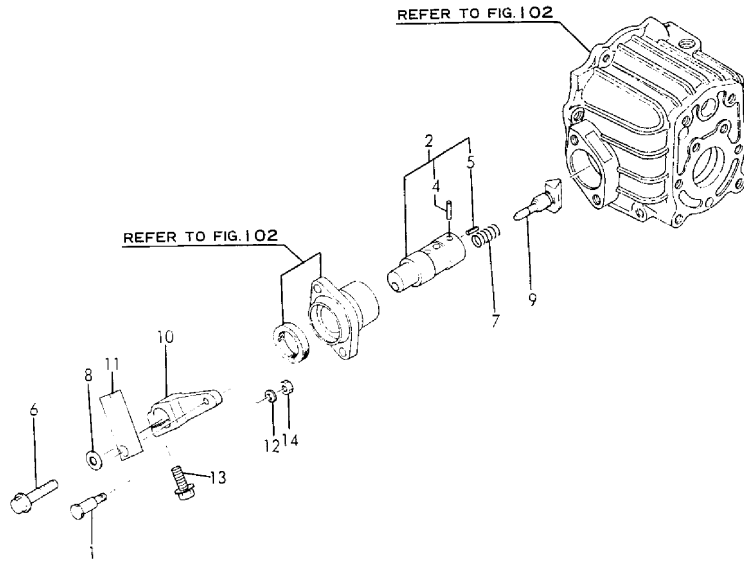
Fig. **108** 潤滑油クーラ
LUB. OIL COOLER



REF.	LEV.	PARTS NO.	DESCRIPTION	Q'TY						I	R	
				(A)	(B)	(C)	(D)	(E)	(F)			
1	1	177070-04250	BODY, COOLER	1								
2	1	177070-04260	PLETE, COOLER	1								
3	1	177070-04270	GASKET	2								
4	1	177070-04280	JOINT	2								
5	1	128695-44090	COCK PT1/8	1								
6	1	26016-080352	BOLT M 8X 35	4								

Fig.109. REMOTE CONTROL DEVICE

Fig. **109** 操縦装置
REMOTE CONTROL DEVICE



(A)=KM3V

(B)=

(C)=

(D)=

(E)=

(F)=

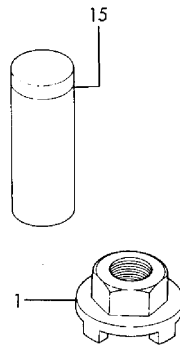
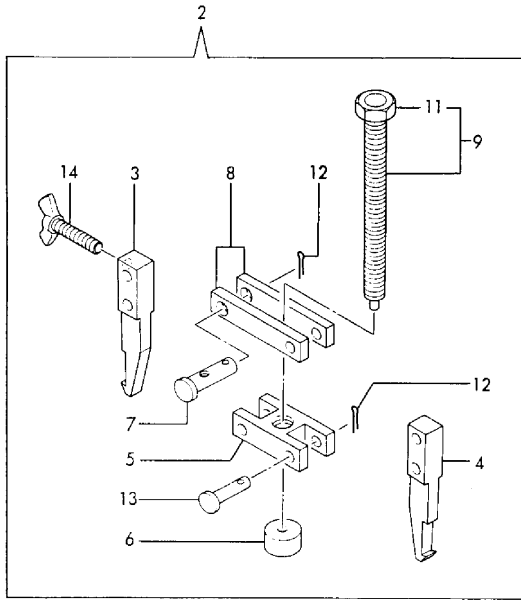
REF.	LEV.	PARTS NO.	DESCRIPTION	QTY						I	R
				(A)	(B)	(C)	(D)	(E)	(F)		
1	1	177088-06101	CONNECTOR	1							
2	1	177088-06340	SHAFT ASSY	1							
4	2	196322-06610	PIN 5X18	1							
5	2	22351-020012	SPRING PIN 2X 12	1							
6	1	177088-06360	BOLT	1							
7	1	177088-06370	SPRING	1							
8	1	177088-06380	SHIM SET	1							
9	1	177088-06390	SHIFTER	1							
10	1	177088-06400	LEVER	1							
11	1	177088-06410	HOLDER	1							
12	1	22137-060000	WASHER 6, POLISHED	1							
13	1	26106-080252	BOLT M 8X 25 PLATED	1							
14	1	26716-060002	NUT 6	1							

Fig.110. TOOL(OPTIONAL)

(A)=KM3V
(B)=
(C)=

(D)=
(E)=
(F)=

Fig. 110 工具(オプション)
TOOL (OPTIONAL)

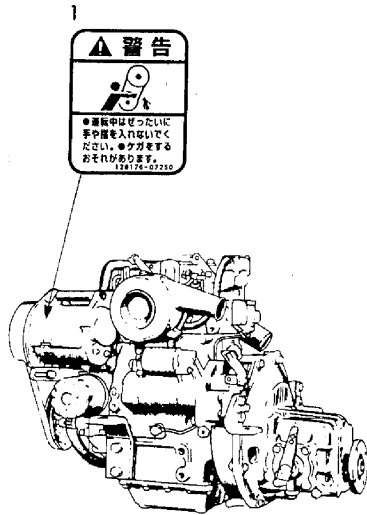


REF.	LEV.	PARTS NO.	DESCRIPTION	QTY						I	R
				(A)	(B)	(C)	(D)	(E)	(F)		
1	1	177070-09010	TOOL	1							
2	1	177088-09010	TOOLS ASSY	1							
3	2	177088-09020	TOOL A	1							
4	2	177088-09030	TOOL B	1							
5	2	177088-09040	BRACKET	1							
6	2	177088-09050	RETAINER	1							
7	2	177088-09060	PIN	1							
8	2	177088-09070	PLATE	1							
9	2	177088-09080	BOLT ASSY	1							
11	3	26736-100002	NUT M10	1							
12	2	22417-160120	COTTER PIN 1.6X12	4							
13	2	22487-060240	PIN 6X 24	3							
14	2	26646-040352	WING BOLT	1							
15	1	177088-09150	TOOL, DRIVE	1							

Fig.111. SAFETY LABEL

発行No. 000Y00F5062-1
 更新年月: 1995.08
 REVISED: Sep., 1985

Fig.111 安全銘板
 SAFETY LABEL



警告表示(ラベル)の部品コード番号

1	部品番号	128176-07250
---	------	--------------

安全銘板の貼付け位置は、取扱説明書をご参照下さい。

(A)=3GM30
 (B)=3GM30VE
 (C)=3GM30B

(D)=3GM30C
 (E)=3GM30F
 (F)=3GM30FVE

REF.	LEV.	PARTS NO.	DESCRIPTION	Q'TY						I	R
				(A)	(B)	(C)	(D)	(E)	(F)		
1	1	128176-07250	LABEL, CAUTION	1	1	1					

今回の項目を追加しました。
 THIS FIGURE IS NEWLY ADDED.

Part Number Index

All parts are stipulated in the order of part numbers.

(Depending on the area in which the part is used.)

This index will display the location of the part according to each part number.

PARTS No. INDEX

PARTS No.	Fig.	Ref.No.
101104-92180	88	4
101147-11900	16	60
	17	54
101147-59810	51	7
101158-11190	16	9
	17	9
101158-11230	16	45
		51
	17	39
		45
101200-92140	88	3
101720-55750	46	7
102210-07990	10	3
103288-39170	31	6
	51	4
103338-11430	16	56
	17	50
103854-51251	43	23
103854-51660	43	31
103854-53100	45	6
103854-53180	45	11
103854-59191	49	11
	50	11
103854-59201	49	12
	50	12
104200-11180	16	18
	17	18
104200-11920	20	8
104200-14200	22	6
	23	6
104200-61200	52	4
104200-92350	69	7
104211-03770	56	3
104211-11370	16	11
	17	11
104211-42050	32	3
104211-42070	32	5
	89	12
104211-42080	32	6
104211-42090	32	7
	91	16
104211-42100	32	8
104211-42110	32	9
104211-42120	32	10
104211-42130	32	11
	52	1
104211-49080	37	2
104211-49160	40	7
	91	19
104211-53120	45	8

PARTS No.	Fig.	Ref.No.
104214-13580	72	5
	73	5
104214-83980	82	1
	107	6
104264-59020	49	20
		21
	50	19
		20
104264-59030	44	3
104271-67550	78	1
104271-91351	84	16
104271-91352	85	12
104500-55710	46	3
	89	18
	90	18
104511-78780	32	22
	33	22
	89	19
	90	19
104884-59170	49	4
	50	4
105225-02020	8	5
	91	8
105225-02300	8	20
105225-11100	16	6
	17	6
105225-11110	16	7
	17	7
105225-11350	16	12
	17	12
105225-22300	25	8
105225-22400	25	9
105225-23180	26	9
105225-23200	26	4
105311-01090	1	4
	2	4
105311-11420	16	54
	17	48
105311-22090	25	1
105311-23380	26	7
105311-67100	57	1
105311-67200	57	3
105500-51300	43	7 -1
105582-07061	10	2
105582-49200	40	1
	89	13
105582-59150	44	4
	49	10
	50	10
105583-49910	1	21

PARTS No.	Fig.	Ref.No.
105583-85900	80	1
110250-53150	45	10
110250-55610	46	5
111100-51220	43	19
113200-53110	45	7
113200-53120	45	9
119173-59120	49	2 -1
	50	2 -1
119183-91860	85	5
119660-35150	29	6 -1
	89	10 -1
	90	10 -1
120130-49350	35	26
120324-91610	85	25
120324-91690	85	16
120445-44530	36	1
120445-44540	36	2
120445-44620	10	9
121000-01850	3	18
	4	18
121000-03020	9	1
121000-03070	9	2
	91	9
121000-03080	9	6
121000-03200	9	4
121000-11050	16	17
	17	17
121000-14550	22	2
	23	2
121000-42051	34	2
	91	15
121000-42100	34	3
121000-61600	52	16
121000-66090	53	3
121150-35100	29	5
121150-51460	43	36
121250-59860	47	6
	48	5
121370-49040	38	1 A
		3
121370-55730	46	4
121450-01203	1	18
	2	16
121450-01210	1	6
	2	6
121450-01220	1	7
	2	7
121450-01560	3	3
	4	3
121450-01751	5	2 -1

PARTS No.	Fig.	Ref.No.
121450-01751	91	4
121450-01800	3	13
	4	13
121450-01801	3	13 -1
	4	13 -1
121450-01951	3	22
	4	22
121450-01960	1	12
	2	12
121450-01980	1	13
	2	13
121450-01990	1	11 -1
	2	11 -1
121450-02071	8	13
		19
121450-02100	1	14
	2	15
	8	7
121450-02110	8	3
121450-02160	8	10
121450-02170	8	16
121450-02310	1	31
	2	28
	8	24
121450-02320	8	21
121450-02370	8	22
121450-02380	8	23
121450-11240	16	34
	17	28
121450-11260	16	32
	17	26
121450-11270	16	33
	17	27
121450-11310	18	12
	91	10
121450-11670	17	19
121450-11680	16	20
	17	20
	91	11
121450-11681	16	20 -1
	17	20 -1
	91	11 -1
121450-13250	20	9
	35	31
	89	4
	90	4
121450-13251	20	9 -1
	35	31 -1
	89	4 -1
	90	4 -1

PARTS No. INDEX

PARTS No.	Fig.	Ref.No.
121450-14400	22	7
	23	7
121450-21540	24	8
121450-21541	24	8 -1
121450-32021	27	1
	91	13
121450-32050	27	4
		4 -1
121450-32060	27	4 A
121450-32200	27	10
121450-35090	29	1
121450-42240	34	6
121450-42260	34	7
121450-42310	34	8
121450-44410	34	16
	40	4
	91	18
121450-51500	43	24
121450-51550	43	25
121450-59850	47	5
121465-59950	47	8
121520-01850	44	1
	91	5
121520-01851	44	1 -1
	91	5 -1
121550-11280	16	37
	17	31
121550-11290	16	38
	17	32
121574-21500	24	14
121574-86320	67	4
121575-01510	3	7
	4	7
	91	3
121575-01511	3	7 -1
	4	7 -1
	91	3 -1
121575-01860	3	19
	4	19
	91	6
121575-01861	3	19 -1
	4	19 -1
	91	6 -1
121575-07230	11	1
121575-07240	11	2
	12	2
121575-11121	16	8
	17	8
121575-11670	16	19
121575-14090	22	3

PARTS No.	Fig.	Ref.No.
121575-14090	23	3
121575-32090	27	2
121575-34830	28	2
121575-42000	33	1
121575-42020	33	4
121575-42120	33	16
121575-42150	33	13
121575-49300	20	7
	33	18
	72	12
121575-49310	39	3
121575-61160	52	12
121575-61161	52	12 -1
121575-61220	52	5
121575-61620	52	17
121575-61710	52	18
121575-61720	52	19
121575-66051	53	2
121575-66200	53	9
121575-66310	52	20
121575-66510	56	1
121575-66550	56	5
121575-66580	56	6
121575-66800	54	1
	55	6
121575-66850	54	2
121575-67580	57	8
121575-67581	57	8 -1
121575-91250	85	10
121750-39550	31	9
121750-49800	41	3
	90	13
121750-59890	42	7
122410-61650	52	15
122780-09320	15	4
	16	23
123210-09310	1	16
	15	2
		5
	16	24
123310-77640	62	1
123372-03150	12	3
123372-59100	47	4
	48	4
123482-91291	85	11
123682-07850	10	6
123682-44190	35	14
123682-44200	35	17
123682-44201	35	17 -1
123682-44210	35	15

PARTS No.	Fig.	Ref.No.
123682-44220	35	16
124060-01050	1	3
	2	3
	3	6
	4	6
124060-11160	16	3
	17	3
124060-39451	31	15
	89	11
	90	11
124060-59380	49	13
	50	13
124070-13300	72	3
	73	3
124070-13520	72	1
	73	1
124070-14760	22	11
124070-42060	32	4
124070-42400	32	12
	33	17
124070-42410	32	13
124070-42420	32	14
	33	6
124070-59060	77	2
124070-59130	77	3
124070-77950	63	4
124070-91250	68	8
	84	10
	86	7
124070-91290	68	9
	84	11
	86	8
124070-91300	68	12
	84	14
	86	11
124085-01900	1	9
	2	9
124085-02220	8	4
124085-35300	30	1
124085-35350	30	7
124085-92210	88	5
124085-92250	88	6
124085-92260	88	7
124085-92270	88	8
124085-92400	88	9
124085-92700	88	17
124101-49530	41	1 -1
124160-01751	18	10
124160-11360	18	13
124160-34844	28	3

PARTS No.	Fig.	Ref.No.
124160-34844	91	14
124160-34845	28	3 -1
	91	14 -1
124160-39140	31	11
124160-39540	31	8
124160-49480	2	19
	35	25
	10	8
124220-09340	43	30
124223-42040	33	9
124223-42070	33	10
124223-42080	33	8
124223-42091	33	3
	90	12
124223-42110	33	14
	91	17
124223-49050	42	4
	76	2
124223-49750	20	11
124240-01871	1	23
	2	20
124240-01882	1	24
	2	21
	91	7
124240-01883	1	24 -1
	2	21 -1
	91	7 -1
124250-03640	56	4
124323-42100	33	19
124450-35070	29	4
124450-35100	29	6
	89	10
	90	10
124450-35110	29	7
124450-39180	31	7
	51	5
124450-39240	31	14
	49	1
	50	1
124460-77680	1	28
	2	25
	35	27
	29	-1
124550-35350	88	2
124550-51200	43	18
124550-51320	43	11
124550-51341	43	12
124550-51350	43	10
124550-51370	43	13
124550-51590	43	26

PARTS No. INDEX

PARTS No.	Fig.	Ref.No.
124550-59820	31	10
124550-77030	59	2
124617-91980	85	4
124617-91990	85	34
124722-59050	35	29
124732-42290	61	3
	90	20
124736-49540	41	2 -1
	91	20 -1
124770-11770	19	7
124770-49040	39	2
124770-53000	45	2
	89	15
	90	15
124770-77940	63	3
124772-08341	14	1
124790-44470	35	20
124790-44560	36	3
124790-55601	46	1
124790-59530	51	6
124950-11340	16	10
	17	10
124950-11450	16	57
	17	51
124950-21600	24	13
124950-51190	43	15
124950-51270	43	6
124950-51450	43	35
124950-51510	43	14
124950-51640	43	28
124950-51670	43	29
126630-07370	10	5
127610-42130	20	6
127610-91350	41	4
	90	14
127611-07350	10	4
127687-91870	85	35
127687-91880	85	36
127692-91410	85	30
127692-91440	85	31
127692-91450	85	32
128170-01600	6	1
128170-01830	3	16
128170-07850	10	7
128170-08100	13	1
128170-08120	13	2
128170-08130	13	3
128170-14150	22	5
	23	5
128170-49080	42	1

PARTS No.	Fig.	Ref.No.
128170-49081	42	1 -1
128170-49150	40	6
128170-51101	43	3
128170-51300	43	7
128170-53080	45	5
128170-66870	55	7
128170-66880	55	8
128170-66890	55	12
128170-76790	58	1
128170-77010	59	1
	70	1
128170-77500	63	6
	87	1
128170-86300	67	1
128170-86500	83	1
128170-91001	84	1
128170-91010	84	2
128170-91020	84	3
128170-91031	84	4
128170-91100	84	6
128170-91160	84	20
128170-91310	84	15
128170-91810	68	15
	84	17
	86	14
128170-91820	68	16
	84	18
	86	15
128170-91830	68	17
	84	19
	86	16
128171-07150	10	13
128171-22250	25	10
128171-81150	64	7
		7 -1
128176-07250	111	1
128270-01450	1	22
128270-01820	3	14
	4	14
128270-03610	18	3
128270-03640	18	5
128270-03750	18	4
128270-08341	14	2
128270-09300	1	15
	15	1
128270-12500	19	1
128270-12540	19	4
128270-42000	32	1
128270-42150	32	21
	33	21

PARTS No.	Fig.	Ref.No.
128270-49010	38	1
128270-49050	38	4
128270-49100	40	3
128270-49300	32	15
128270-66010	53	1
128270-66550	55	1
128270-77921	63	1
128270-91001	68	1
128270-91010	68	2
	86	2
128270-91020	68	3
	86	3
128270-91031	68	4
128270-91040	68	5
	86	5
128270-91230	68	7
128270-91350	68	13
	86	12
128270-91360	68	14
	86	13
128271-49450	42	6
128271-77330	60	2
	61	2
128271-77340	60	5
	61	5
128271-77920	63	1 -1
128271-77921	63	1 -2
128272-11170	16	4
	17	4
128275-11410	16	53
	17	47
128275-11490	16	58
	17	52
128275-11500	16	59
	17	53
128275-39710	74	2
128275-91340	40	2
	89	14
128290-49510	39	4
128291-49020	39	1 A
128291-49250	42	5
128296-59900	49	23
	50	22
128296-59940	49	24
	50	23
128370-01720	5	1
128370-12730	19	5
128370-13160	20	3
128370-13180	20	4
	91	12

PARTS No.	Fig.	Ref.No.
128370-13181	20	4 -1
	91	12 -1
128370-13200	21	1
	72	14
	73	11
	89	3
	90	3
128370-13201	21	1 -3
	72	14 -1
	73	11 -1
	90	3 -1
128370-13220	72	13
128370-13230	21	1 -1
	72	11
	89	3 -1
128370-13231	21	1 -2
	72	11 -1
	89	3 -2
128370-13530	21	2
128370-13550	21	2 -1
128370-13610	72	8
	73	8
128370-14010	22	1
	23	1
128370-21650	24	9
128370-34800	28	1
128370-39200	31	1
128370-49020	38	2
128370-49250	72	6
128370-59010	49	2
128370-59081	49	5
	50	5
128370-59500	51	1
128370-59810	47	1
128370-59820	47	2
128370-59830	47	3
128371-01601	7	1
128371-01800	1	20
	2	18
128371-21590	24	11
128371-81010	64	1
128371-81020	64	2
128371-81030	64	3
128371-81050	64	4
	65	1
128371-91000	86	1
128371-91030	86	4
128374-01330	1	29
	2	26
	89	2

PARTS No. INDEX

PARTS No.	Fig.	Ref.No.
128374-01330	90	2
	91	2
128374-01911	1	29 -1
	2	26 -1
	89	2 -1
	90	2 -1
	91	2 -1
128374-81110	64	1 -1
128374-81120	64	2 -1
128374-81130	64	3 -1
128374-81310	64	8
128374-81320	64	9
128374-81330	64	10
128377-59550	49	22
	50	21
128390-44010	35	2
128390-44401	35	19
128390-44480	35	23
128390-44490	35	22
128390-44491	35	22 -1
128390-44900	35	1 -1
128390-59010	50	2
128390-59810	48	1
128390-59820	48	2
128390-59830	48	3
128391-77700	63	6 -1
	85	38
128391-77860	68	18
	84	21
128391-91130	85	1
128391-91200	85	2
128391-91260	85	5 -1
128391-91440	85	23
128391-91640	85	22
128391-91700	85	7
128391-91740	85	24
128391-91850	85	33
128391-91860	85	6
128391-91930	85	18
128670-01830	4	16
128670-13350	16	29
	20	13
128670-77350	60	3
	89	20
128690-44060	35	4
128690-49010	39	1
128690-49250	73	6
128690-49310	35	5
128690-49530	41	1
128695-07230	12	1

PARTS No.	Fig.	Ref.No.
128695-42010	34	1
128695-42350	34	15
128695-44050	35	3
128695-44070	35	10
128695-44090	35	9
	108	5
128695-49520	39	5
128695-49530	39	6
129100-01580	1	10 -1
	2	10 -1
129170-91650	85	8
129170-91800	85	13
129170-91810	85	17
129198-07350	10	4 -1
129301-52020	44	2
129350-01230	1	19
	2	17
129350-14100	22	4
	23	4
129350-21200	24	7
129350-42200	34	5
129350-49540	41	2
	91	20
129574-91410	85	9
129574-91420	85	20
129574-91620	85	19
129574-91650	85	29
129574-91710	85	26
129574-91720	85	21
129574-91750	85	27
129574-91760	85	37
129574-91770	85	28
129574-91780	85	14
129574-91790	85	15
129574-91870	85	3
129772-77200	60	1
	61	1
	71	1
135210-51900	46	9
135210-61090	55	14
138603-59380	77	6
171016-61100	52	2
171051-01921	2	14
172100-53200	45	12
174100-54120	43	21
174307-51170	43	16
174307-51181	43	17
174307-51700	43	22
177070-02011	92	1
177070-02012	97	1

PARTS No.	Fig.	Ref.No.
177070-02031	92	7
	97	7
177070-02511	102	6
177070-02520	102	7
177070-02680	103	1
177070-02801	103	2
177070-02811	103	3
177070-02820	103	4
177070-02830	103	5
177070-02840	103	6
177070-02850	103	7
177070-02900	103	8
177070-02910	103	9
177070-03010	93	3
177070-03011	98	3
	104	1
177070-03020	93	4
177070-03021	98	4
	104	2
177070-03030	93	2
177070-03031	98	2
	104	3
177070-03040	94	1
177070-03041	99	1
	106	1
177070-03070	94	2
177070-03071	99	2
	106	2
177070-03111	94	4
	6	
177070-03112	99	4
	6	
	106	3
	4	
177070-03121	94	5
177070-03122	99	5
	106	5
177070-03130	94	3
177070-03131	99	3
	106	6
177070-03190	94	7
	99	7
	106	7
177070-03200	94	8
	99	8
	106	8
177070-03230	94	9
177070-03231	99	9
	106	9
177070-03250	94	10

PARTS No.	Fig.	Ref.No.
177070-03250	99	10
	106	10
177070-03301	93	5
177070-03302	98	5
	105	1
177070-03500	104	5
177070-03501	64	4 -1
	65	1 -1
177070-03550	94	12
	99	12
177070-03600	106	16
177070-03610	107	1
177070-03620	107	2
177070-03630	107	3
177070-04250	108	1
177070-04260	108	2
177070-04270	108	3
177070-04280	108	4
177070-09010	110	1
177073-03340	99	18
	106	14
177088-02091	92	2
177088-02120	97	2
	102	1
177088-02300	97	9
	102	2
177088-02350	92	6
	97	6
	102	3
177088-02430	10	1
	102	4
177088-02450	92	10
177088-02451	97	10
	102	5
177088-02950	92	12
	97	12
	102	8
177088-02961	92	13
	97	13
177088-02970	92	14
177088-03272	94	11
	99	11
	106	11
177088-03280	94	16
	99	16
	106	12
177088-03290	94	15
	99	15
	106	13
177088-03311	93	6

PARTS No. INDEX

PARTS No.	Fig.	Ref.No.
177088-03311	98	6
	105	2
177088-03331	93	7
	98	7
	105	3
177088-03341	93	8
	98	8
	105	4
177088-03400	93	1
	98	1
	104	4
177088-03540	99	17
	106	15
177088-06010	95	3
177088-06020	95	5
177088-06050	95	9
177088-06070	95	10
177088-06090	95	11
177088-06100	95	18
177088-06101	100	5
	109	1
177088-06110	95	17
177088-06120	95	12
177088-06140	95	14
177088-06150	95	15
177088-06160	95	16
177088-06170	95	13
177088-06340	109	2
177088-06350	100	3
177088-06360	100	9
	109	6
177088-06370	100	10
	109	7
177088-06380	100	13
	109	8
177088-06390	100	4
	109	9
177088-06400	100	1
	109	10
177088-06410	100	6
	109	11
177088-09010	96	1
	101	1
	110	2
177088-09020	96	2
	101	2
	110	3
177088-09030	96	3
	101	3
	110	4

PARTS No.	Fig.	Ref.No.
177088-09040	96	4
	101	4
	110	5
177088-09050	96	5
	101	5
	110	6
177088-09060	96	6
	101	6
	110	7
177088-09070	96	7
	101	7
	110	8
177088-09080	96	8
	101	8
	110	9
177088-09090	96	9
	101	9
177088-09150	96	14
	101	14
	110	15
177088-09160	96	15
177090-02250	92	9
177095-03190	95	4
177095-06040	95	1
194440-51620	49	19
	50	18
196311-34250	83	2
196322-06610	100	11
	109	4
41710-000380	83	3
41710-000410	57	2
	67	3
41730-000680	83	2 -1
42222-003550	10	10
43400-500390	91	29
43400-500450	55	13
	91	30
43662-010030	37	1
43662-015020	76	1
43666-020951	37	4
	76	4
45414-500260	81	1
46150-001110	68	6
	84	5
		7
	86	6
46150-003680	63	2
	89	22
	90	21
	90	21
48110-025063	66	1 -1

PARTS No.	Fig.	Ref.No.
48110-028063	66	1
	79	6
48110-032411	66	2
	79	2
48110-032502	79	1
704507-92100	69	1
705311-22500	25	3
	89	5
	90	5
705311-23600	26	5
705325-22540	25	12
721085-21701	24	1
721450-02500	8	1
721450-02611	8	8
721450-02621	8	14
721450-11650	16	41
	17	35
721450-11660	16	47
	17	41
721500-61560	52	6
728170-53100	45	1
728171-23100	26	1
728270-92400	88	1
728370-01610	3	1
	4	1
728370-11520	18	1
728370-13500	20	1
728370-13501	20	1 -1
728372-11700	16	1
	17	1
728374-01560	1	1
728374-51100	43	1
728374-51101	43	1 -1
728374-92500	89	1
728374-92600	91	1
728390-44500	35	1
728391-92500	90	1
728397-01560	2	1
728695-43500	34	10
771016-61620	52	2 -1
83213-003012	77	1
947859-20010	75	12
977782-00122	75	1
X211413005	70	8
X211415006	70	14
X21142835	70	21
X2114314	70	12
X21143215	70	6
X211433101	70	10
X21144454	70	13

PARTS No.	Fig.	Ref.No.
X21144661	70	16
X211447009	70	19
X211451005	70	2
X21145312	70	7
X21145352	70	9
X21145866	70	22
X211462101	70	5
X21146963	70	17
X21147155	70	4
X211476503	70	15
X21148110	70	3
X21148313	70	11
X21148852	70	20
X21149652	70	18
X6201SD	71	3
X6203BM	71	16
XBP1901300	75	3
XBP1901820	75	7
XBP1901830	75	8
XBP1901910	75	9
XBP1901920	75	10
XBP1901950	75	11
XBP1902200	75	2 -1
XBP1902400	75	4
XBP1902810	75	6
XBP1905500	75	5
XBP2901200	75	2
XL12013262	71	9
XL13513134	71	12
XL15014042	71	15
XL15018015	71	18
XL1501810	71	19
XL15028001	71	20
XL15542001	71	4
XL15553002	71	5
XL1556315	71	7
XL15571001	71	2
XL1557500	71	17 -1
XL2251318	71	11
XL2253320	71	13
XL2253400	71	14
XL22553012	71	6
XL2255330	71	8
XL22555001	71	17
XTR1Z63	71	10



YANMAR CO., LTD.