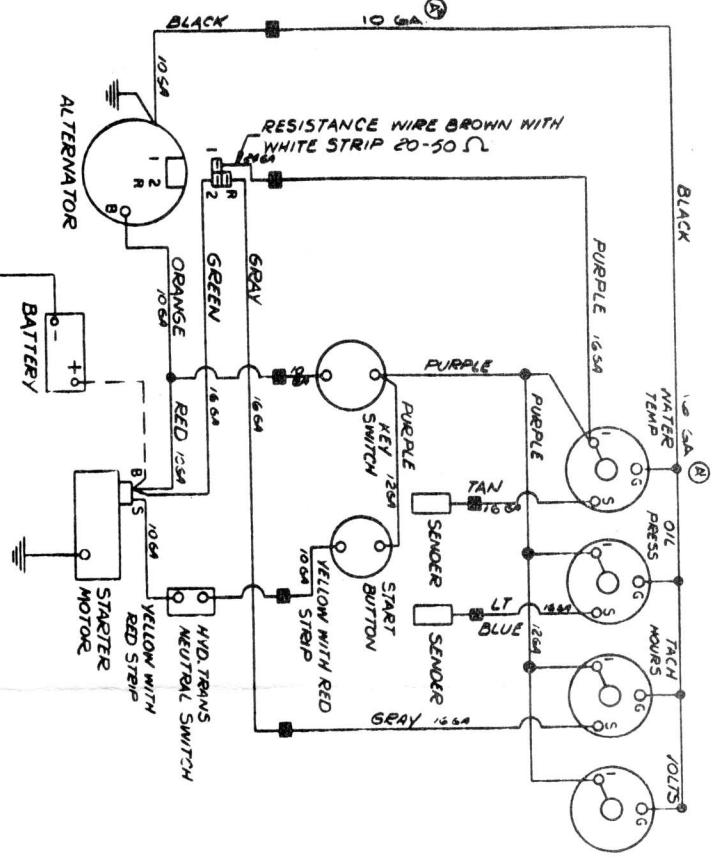


DRAWING NOT TO BE SCALED

HOLE CENTERS & PITCH CIRCLE DIAMETERS TO BE WITHIN ± 0.2 (0.008).
 TOLERANCES ON MACHINED DIMENSIONS TO : 0.4 (0.016) UNLESS OTHERWISE SPECIFIED.
 ALL FILLETS AND ROUNDS TO BE 3 (0.121)R UNLESS OTHERWISE SPECIFIED.
 ANGULAR TOLERANCES TO BE : 90° 30' UNLESS OTHERWISE SPECIFIED.
 ALL DIMENSIONS IN MM (IN.).

REMOVE ALL BURRS
& SHARP CORNERS



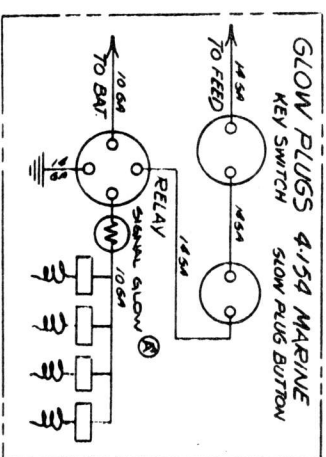
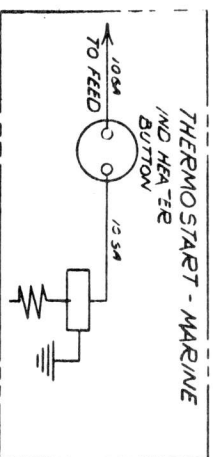
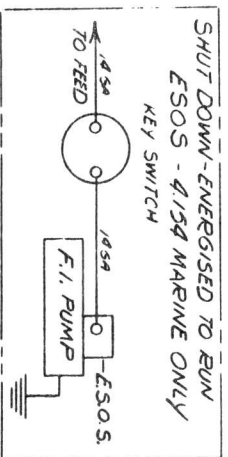
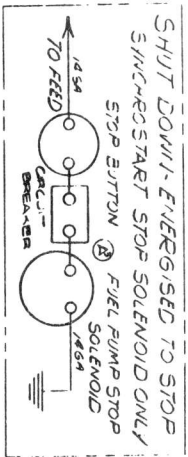
NOTE: --- NOT SUPPLIED BY P.E.I.

■ PIN CONNECTORS
 MALE FOR SINGLE PANEL NA004844
 FEMALE FOR DUAL PANEL NA004843
 USE WITH HAERNES'S
 NA004854 - 4 (108 CM) ENGINE
 NA004855 - 4 (236 CM) ENGINE

MARINE APPLICATION

WIRING DIAGRAM

SHEET 3 of 3



ALTERNATION NO. A	1. ACCORD TO GA 2. TO GA WITH 16 GA 3. ACCORD TO GA 4. ACCORD TO GA COGO 1-11-84
ALTERNATION NO. B	
ALTERNATION NO. C	
ALTERNATION NO. D	
ALTERNATION NO. E	
ALTERNATION NO. F	
ALTERNATION NO. G	

CHECKED	AM	7-2-82
APPROVED	BY	
FOR PROD		
DATE		

FIRST USED ON:	INTRODUCTORY ALT.:	DCP	2461
SCALE:	NONE		
THIRD PART IDENTIFICATION			

PART NO. & MANUFACTURERS IDENTIFICATION MARK MUST APPEAR ON ALL COMPONENTS			
MATERIAL:	TD	PART NO.	NA005750

A2