



PARTS CATALOG

Published

2010/11 (Nov.)

0CR10-G47101

How to read this Parts Catalog.

1. Parts mentioned in Parts Catalog may not necessarily be standard equipping parts
2. Parts change may be made without prior notice.
3. Form of this Parts Catalog.

Y00F2161 29. FUEL INJECTION PUMP(W/BOOST)				(A)=4JH-DT	(D)=4JH-DTZA	(B)=4JH-DTZ	(E)=4JH-DTZ	(C)=4JH-DTZP	(F)=			
REF.	LEV.	PARTS NO.	DESCRIPTION	(A)	(B)	(C)	(D)	(E)	(F)	I	R	K
1	1	729595-51390	FUEL INJECTION PUMP	1	1	1	1	1	1			
1-1	1	729595-51391	FUEL INJECTION PUMP	1	1	1	1	1	1			
		(A=E00185) (B=E00200)										
3	2	26022-060162	SCREW M 6X 16	9	9	9	9	9				
3-1	2	26022-060162	SCREW M 6X 16	4	4	4	4	4				K
		(A=E00156) (B=E00156) (C=E00156) (D=E00156) (E=E00156)										
4	2	129470-51040	CAMSHFT	1	1	1	1	1				
5	2	122710-51050	BEARING,ROLLER	2	2	2	2	2				
6	2	129470-50160	RETAINER	1	1	1	1	1				

Remarks	
(1)	BOOST COMPEMSATOR TYPE. OPTIONAL PART. TO E/#00155 (4JH-DT,4JH-DTZ)

① Ref. No.

The Ref. No. in the list may not be accord with the Ref. No. on illustration.

(Ex.) Illustration No.

List head No.

1

1

(Befor change)



1

-1

(After change)

When interchangeable symbol N, R, and K, illustrations for new parts are sometimes omitted.

② Lev.(Level)

Indication and Meaning of Level

Level Hereunder is given the relation among the number of number (1,2,3) the level and the nominal parent-child relationship.

1 ----- Parent parts (Assembly parts)

2 ----- Child parts included in " 1 " (Semi-Assembly parts, component parts of Assembly parts.)

3 ----- Child parts included in " 2 ", Grand-child parts in terms of " 1 ".

(Component parts of Semi- Assembly parts.)

Note) A parts of non- sale parts are illustrated but not listed.

③ Change Mark

Change Mark "I" is given to the part for which a design change was made at this time.

The design change was not shown in the last published Parts Catalog.

④ Interchangeability Mark

In the case where a part change took place, one of the following interchangeability marks is indicated for that part.

Symbol	Interchangeability	Contents note
N	Old New	New Part is interchangeable for Old Part but not interchangeable conversely.
Q	Old New	New Part is not interchangeable for Old Part but interchangeable conversely.
R	Old New	New Part is interchangeable for Old Part and vice versa.
S	Old New	New Part is not interchangeable for Old Part and vice versa.
W		Part newly added.
Z		Part discontinued.
F		Not interchangeable single part but interchangeable by set of the related parts.
K		Changed only in quantity used.

⑤ Effective Machine No.

When a part is changed, Effective Machine No. of a Model for which the part is applicable is indication in each column of (A)- (F).

Product Symbol	Product No.	Product Symbol	Product No.
C	Clutch No. Compressor No.	M	Machine No.
D	Drive No.	T	Tractor No.
E	Engine No.	Note1) ※	Date

Note1) Date may follow the symbol in some cases. (Ex.) ※ 1996.01

Note2) As far as engine models shown by "XXX" are concerned, the modification of the parts could not be predicted or the engine models themselves could not be identified.

Note3) (A=E/#00185) means that the design change on the part has been effective for the model at the column (A) (in this case, for 4JH- DT) on and from E/#(Engine Serial Number) 00185.

⑥ Remarks Mark

Figures or alphabets (Symbols) are entered in the remark column.

The comments(remarks)on the pertinent parts are indicated in the lower part of the list by the same symbols as those stated above.

Introduction

1. This parts catalog for 2GM20- YEU, 2GM20C- YEU, 2GM20F- YEU & 2GM20FC- YEU is published as a revised edition of the diesel engine.

	Parts catalog	Date of issue	Remarks
First edition	000Y00R4710	Nov., 1997	No need.
1st revised edition	000Y00R4711	Apr., 2000	

2. Standard finish color. : Metallic eole silver
 Parts No. 977620- 10070 1 0 (Paked in a can)
 977620- 40070 4 0 (Paked in a can)
 TOR- 90090003 Spray(1 piece)
3. This parts catalog dose not contain the technical date needed for servicing.
4. The illustrations used in this parts catalog have been simplified for clarity.
5. The essential points list.(This engine numbers assembled at Yanmar Europe are as follows)

Name of diesel engine	2GM20-YEU	2GM20C-YEU	2GM20F-YEU	2GM20FC-YEU
Type	Vertical, water- cooled, four- cycle diesel engine			
No.of cylinder×Internal diameter(mm) ×Stroke length(mm)	2 × 75 × 72			
Continuous rated output (PS/rpm)	16 / 3400			
Combustion system	Direct injection			
Starting system	Erectric starting 12V- 1.0kw			
Power take- off position	Flywheel side			
Cooling system	Sea water cooling	Filterd fresh water cooling		
Lubricating system	Fully sealed, forced- feed lubrication			
New E/#	E02001			

6. The contents of this parts catalog are subject to change without prior notice.
7. Be sure to use only genuine Yanmar part for repairs. If other parts are used, the life of the engine may be shortened.

CONTENTS

MODEL : 2GM20-YEU SERIES

PC NO : 0CR10-G47101

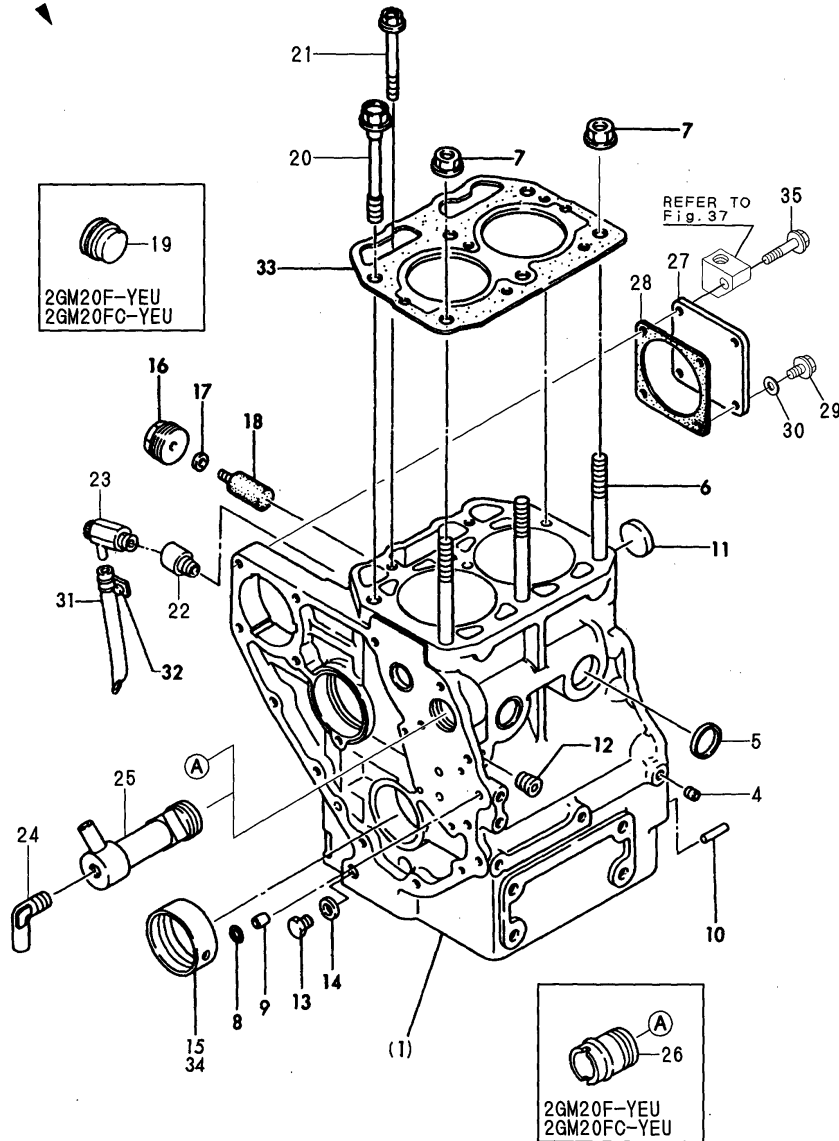
Fig.No.	GROUP NAME
2GM20-YEU	
1.	CYLINDER BLOCK
2.	GEAR HOUSING(2GM20,C-YEU)
3.	GEAR HOUSING(2GM20F,FC-YEU)
4.	FLYWHEEL HOUSING
5.	LUB. OIL SUMP
6.	MAIN METAL HOUSING
7.	BREATHER
8.	LABEL
9.	ENGINE LIFTER
10.	ENGINE BRACKET
11.	CYLINDER HEAD(2GM20,C-YEU)
12.	CYLINDER HEAD(2GM20F,FC-YEU)
13.	BONNET
14.	SUCTION MANIFOLD & MIXING ELBOW
15.	MIXING ELBOW(OPTIONAL)
16.	CAMSHAFT
17.	CRANKSHAFT & FLYWHEEL
18.	PISTON & CONNECTING ROD
19.	LUB.OIL PUMP & LUB.OIL STRAINER
20.	LUB.OIL PIPE & LUB.OIL DIPSTICK
21.	LUB.OIL WASTE PUMP(OPTIONAL)
22.	BILGE PUMP(STD,OPTIONAL)
23.	BILGE PUMP(DX,OPTIONAL)
24.	COOLING SEA WATER PUMP
25.	COOLING FRESH WATER PUMP
26.	COOLING FRESH WATER COOLER
27.	C.S.W.PIPE(2GM20,C-YEU)
28.	C.F.W.PIPE(2GM20F,FC-YEU)
29.	THERMOSTAT

Fig.No.	GROUP NAME
30.	C.S.W.PIPE(OPTIONAL)
31.	KINGSTON COCK(OPTIONAL)
32.	FUEL INJECTION PUMP
33.	FUEL FEED PUMP
34.	FUEL INJECTION VALVE
35.	FUEL STRAINER
36.	FUEL INJECTION PIPE
37.	FUEL PIPE
38.	FUEL RETURN PIPE
39.	FUEL TANK(OPTIONAL)
40.	GOVERNOR EQUIPMENT DEVICE
41.	CONTROL DEVICE
42.	ENGINE STOP DEVICE
43.	SPEED REMOTE CONTROL
44.	SINGLE LEVER CONTROL(OPTIONAL)
45.	COUPLING(OPTIONAL)
46.	CLUTCH
47.	STARTING MOTOR
48.	GENERATOR
49.	GENERATOR(OPTIONAL)
50.	WIRE HARNESS
51.	INSTRUMENT PANEL(A-TYPE,OPTION)
52.	INSTRUMENT PANEL(A-TYPE,SAIL,O
53.	INSTRUMENT PANEL(B-TYPE,OPTION)
54.	INSTRUMENT PANEL(B-TYPE,NEW,OP
55.	TOOL
56.	SPECIAL TOOL(OPTIONAL)
57.	REPAIR PARTS(OPTIONAL)
58.	REPAIR PARTS(2-POLE TYPE,OPTI
59.	GASKET SET(OPTIONAL)

Fig.1. CYLINDER BLOCK

Fig. 1 シリンダブロック
CYLINDER BLOCK

見出しNo. 1, 2は、見出しNo. (1) から19を含みます。
1, 2 inc. (1) ~ 19



OCR10-G47101 1. CYLINDER BLOCK

(A)=2GM20-YEU
(B)=2GM20C-YEU
(C)=2GM20F-YEU

(D)=2GM20FC-YEU
(E)=
(F)=

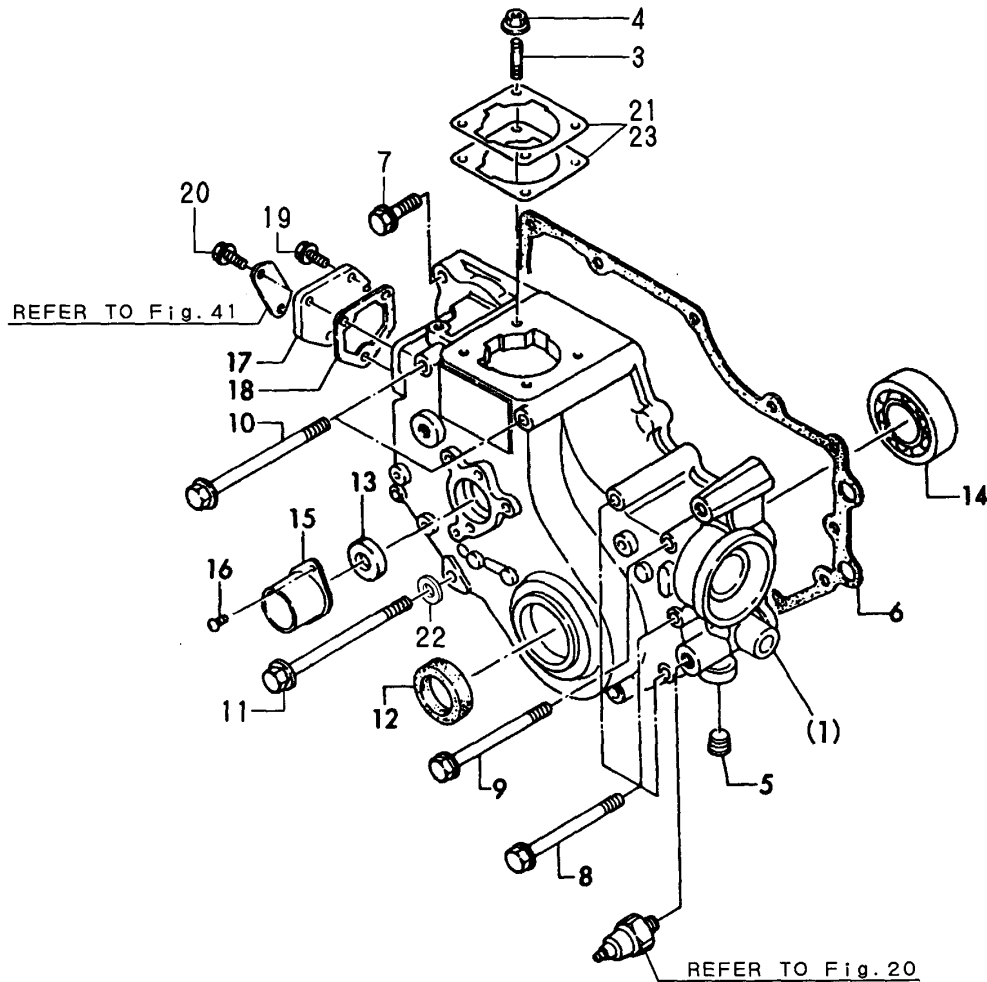
REF.	LEV.	PARTS NO.	DESCRIPTION	QTY						I	R
				(A)	(B)	(C)	(D)	(E)	(F)		
1	1	728277-01560	BLOCK ASSY, CYLINDER	1	1						
2	1	728297-01560	BLOCK ASSY, CYLINDER								
4	2	124060-01050	PLUG PT1/8	6	6	6	6				
5	2	105311-01090	PLUG 30 (SUS)	4	4	4	4				
6	2	121450-01210	STUD, CYL. HEAD	3	3	3	3				
7	2	121450-01220	NUT, CYL. HEAD	3	3	3	3				
8	2	24311-000100	O-RING 1A P-10.0	2	2	2	2				
9	2	124085-01900	GUIDE, O-RING	2	2	2	2				
10	2	129100-01580	PARALLEL PIN 8X16	2	2	2	2				
11	2	121450-01990	PLUG 30	1	1	1	1				
12	2	23873-020000	PLUG PT 1/4	1	1	1	1				
13	2	121450-01960	PLUG PF1/4	1	1	1	1				
14	2	121450-01980	GASKET	1	1	1	1				
15	2	121450-02100	MAIN METAL	1	1	1	1				
16	2	128270-09300	PLUG NPTF 1"	1	1						
17	2	123210-09310	PACKING	1	1						
18	2	27210-200300	ZINC, ANTI-CORROSIVE	1	1						
19	2	171051-01921	PLUG			1	1				
20	1	121450-01203	BOLT, CYL. HEAD	3	3	3	3				
21	1	129350-01230	BOLT, CYL. HEAD	2	2	2	2				
22	1	128270-01890	SPACER PT1/4	1	1	1	1				
23	1	120130-49350	COCK 1/4	1	1	1	1				
23-1	1	119620-49290	COCK ASSY 1/4	1	1	1	1				N
		(A=*2000.04)	(B=*2000.04)	(C=*2000.04)	(D=*2000.04)						
24	1	105583-49910	ELBOW (PT1/4)	1	1						
25	1	128270-01450	CONNECTOR, BY-PATH	1	1						
26	1	124160-49480	JOINT, PIPE			1	1				
27	1	124240-01871	COVER, HO-P	1	1	1	1				
28	1	124240-01883	GASKET, (NON-ASB.)	1	1	1	1				
29	1	26106-080142	BOLT M 8X 14 PLATED	4	4	4	4				
30	1	23414-080000	GASKET 8, ROUND	1	1	1	1				
31	1	23061-070300	PIPE 7X 300	1	1	1	1				
32	1	124460-77680	RETAINER	1	1	1	1				
33	1	128271-01911	GASKET, CYL. HEAD	1	1	1	1				
34	1	121450-02310	MAIN METAL 0.25US	1	1	1	1				1
35	1	26106-080322	BOLT M 8X 32 PLATED	1	1	1	1				

Remarks
(1) UNDER SIZED (U.S.=0.25) PART.

Fig.2. GEAR HOUSING(2GM20,C-YEU)

Fig.2 ギヤケース (2GM20/C-YEU)
 GEAR HOUSING (2GM20/C-YEU)

見出しNo. 1は、見出しNo. (1) から5を含みます。
 1 inc. (1) ~ 5



(A)=2GM20-YEU
 (B)=2GM20C-YEU
 (C)=2GM20F-YEU

(D)=2GM20FC-YEU
 (E)=
 (F)=

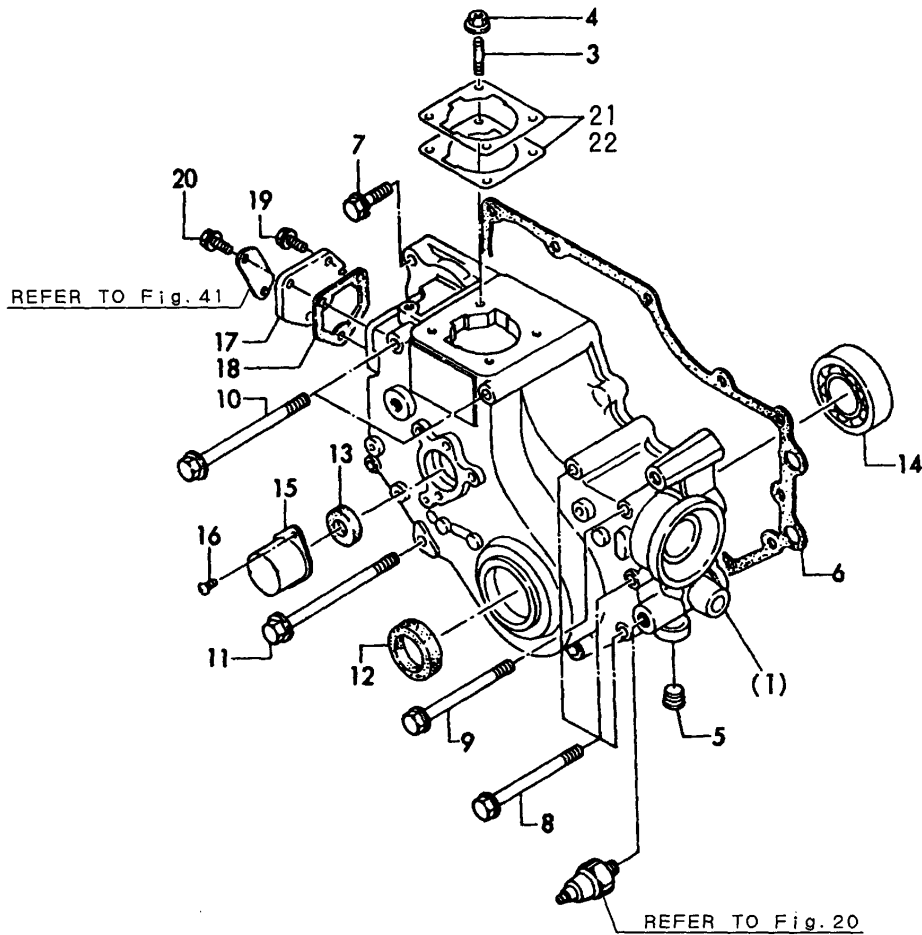
REF.	LEV.	PARTS NO.	DESCRIPTION	QTY						I	R
				(A)	(B)	(C)	(D)	(E)	(F)		
1	1	728277-01610	HOUSING, ASSY GEAR	1	1						
3	2	26216-080222	STUD M 8X 22 PLATED	4	4						
4	2	26366-080002	NUT M 8	4	4						
5	2	124060-01050	PLUG PT1/8	1	1						
6	1	121575-01511	GASKET, (NON-ASB.)	1	1						
7	1	26106-080302	BOLT M 8X 30 PLATED	2	2						
8	1	26106-080852	BOLT M 8X 85 PLATED	5	5						
9	1	26106-080902	BOLT M 8X 90 PLATED	1	1						
10	1	26106-081152	BOLT M 8X115 PLATED	2	2						
11	1	26106-081152	BOLT M 8X115 PLATED	2	2						
12	1	121450-01801	SEAL TC25 40 8, OIL	1	1						
13	1	128270-01820	SEAL SC16 28 6, OIL	1	1						
14	1	24101-063050	BALL BEARING	1	1						
15	1	128170-01830	BRACKET (B), REAR	1	1						
16	1	26557-060102	SCREW 6X10	2	2						
17	1	121000-01850	COVER, CYL BLOCK	1	1						
18	1	121575-01861	GASKET, (NON-ASB.)	1	1						
19	1	26106-060122	BOLT M 6X 12 PLATED	1	1						
20	1	26106-060142	BOLT M 6X 14 PLATED	2	2						
21	1	124950-01951	SHIM SET	1	1						
22	1	23414-080000	GASKET 8, ROUND	4	4						
23	1	121450-01951	SHIM SET	1	1						1

Remarks
 (1)OPTIONAL

Fig.3. GEAR HOUSING(2GM20F,FC-YEU)

Fig.3 ギヤケース (2GM20F/FC-YEU)
 GEAR HOUSING (2GM20F/FC-YEU)

見出しNo. 1は、見出しNo. (1) から5を含みます。
 1 inc. (1) ~ 5



OCR10-G47101 3. GEAR HOUSING(2GM20F,FC-YEU)

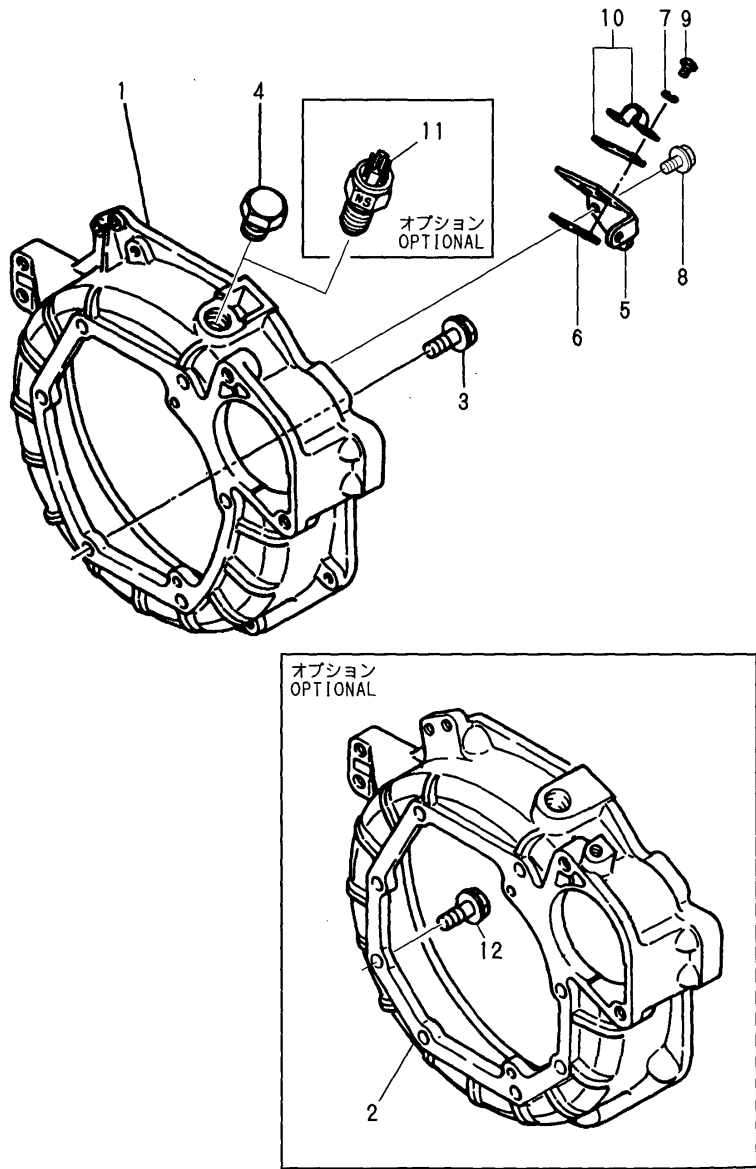
(A)=2GM20-YEU (D)=2GM20FC-YEU
 (B)=2GM20C-YEU (E)=
 (C)=2GM20F-YEU (F)=

REF.	LEV.	PARTS NO.	DESCRIPTION	Q'TY						I	R	
				(A)	(B)	(C)	(D)	(E)	(F)			
1	1	728270-01610	HOUSING ASSY, GEARS			1	1					
3	2	121450-01560	STUD M 8X 22			4	4					
4	2	26366-080002	NUT M 8			4	4					
5	2	124060-01050	PLUG PT1/8			1	1					
6	1	121575-01511	GASKET, (NON-ASB.)			1	1					
7	1	26106-080302	BOLT M 8X 30 PLATED			2	2					
8	1	26106-080852	BOLT M 8X 85 PLATED			5	5					
9	1	26106-080902	BOLT M 8X 90 PLATED			1	1					
10	1	26106-081152	BOLT M 8X115 PLATED			2	2					
11	1	26106-081152	BOLT M 8X115 PLATED			2	2					
12	1	121450-01801	SEAL TC25 40 8, OIL			1	1					
13	1	128270-01820	SEAL SC16 28 6, OIL			1	1					
14	1	24101-063050	BALL BEARING			1	1					
15	1	128670-01830	COVER, BLIND			1	1					
16	1	26557-060102	SCREW 6X10			2	2					
17	1	121000-01850	COVER, CYL BLOCK			1	1					
18	1	121575-01861	GASKET, (NON-ASB.)			1	1					
19	1	26106-060122	BOLT M 6X 12 PLATED			1	1					
20	1	26106-060142	BOLT M 6X 14 PLATED			2	2					
21	1	124950-01951	SHIM SET			1	1					
22	1	121450-01951	SHIM SET			1	1					1

Remarks
 (1)OPTIONAL

Fig.4. FLYWHEEL HOUSING

Fig.4 フライホイールハウジング
FLYWHEEL HOUSING



OCR10-G47101 4. FLYWHEEL HOUSING

(A)=2GM20-YEU
(B)=2GM20C-YEU
(C)=2GM20F-YEU

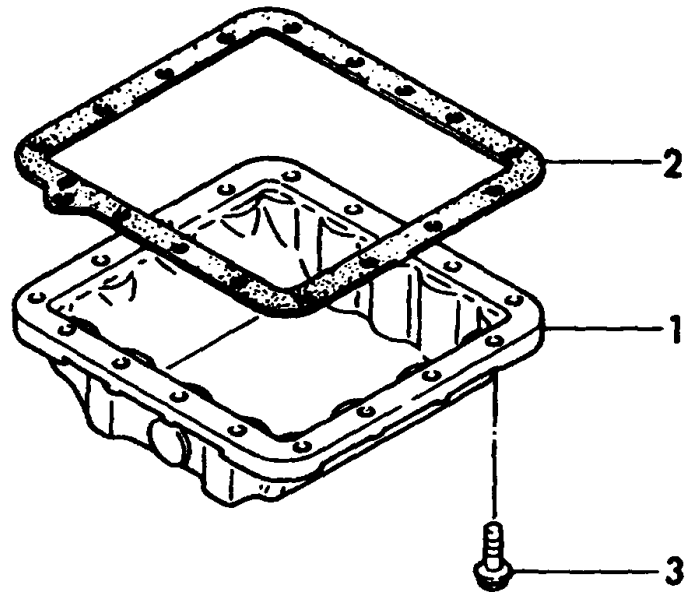
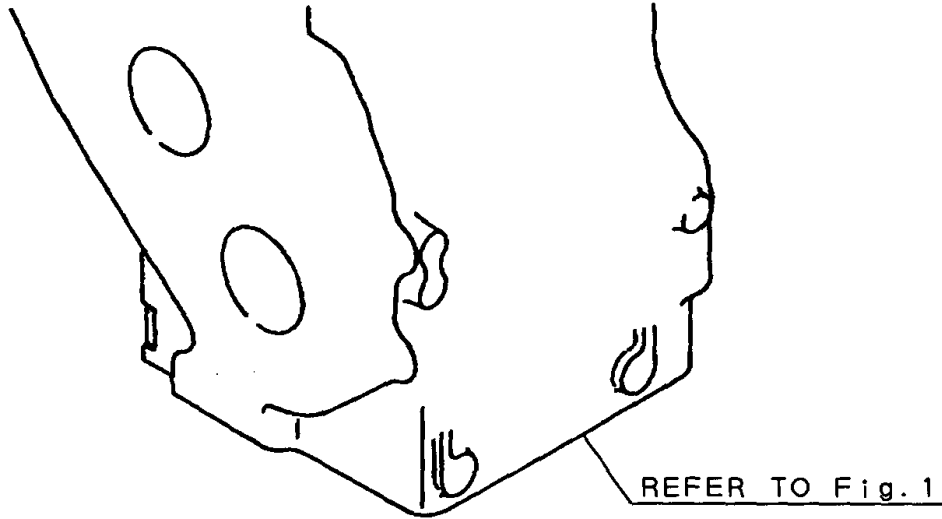
(D)=2GM20FC-YEU
(E)=
(F)=

REF.	LEV.	PARTS NO.	DESCRIPTION	QTY						I	R
				(A)	(B)	(C)	(D)	(E)	(F)		
1	1	128170-01600	FLANGE, MOUNTING	1	1	1	1				
2	1	128371-01601	HOUSING, FLYWHEEL	1	1	1	1				1
3	1	26106-100252	BOLT M10X 25 PLATED	6	6	6	6				
4	1	23887-180002	PLUG 18	1	1	1	1				
5	1	128170-86300	BRACKET, CABLE	1	1	1	1				
6	1	121574-86320	RETAINER	1	1	1	1				
7	1	22212-050000	SPRING WASHER 5	2	2	2	2				
8	1	26106-060142	BOLT M 6X 14 PLATED	2	2	2	2				
9	1	26557-050122	SCREW M 5X 12	2	2	2	2				
10	1	41710-000410	CLAMP	1	1	1	1				
11	1	128170-91160	SENSOR, TACHOMETER	1	1	1	1				1
12	1	26013-100252	BOLT W/WASHER M10X25	8	8	8	8				1

Remarks
(1)OPTIONAL

Fig.5. LUB. OIL SUMP

Fig. 5 オイルパン
LUB. OIL SUMP



OCR10-G47101 5. LUB. OIL SUMP

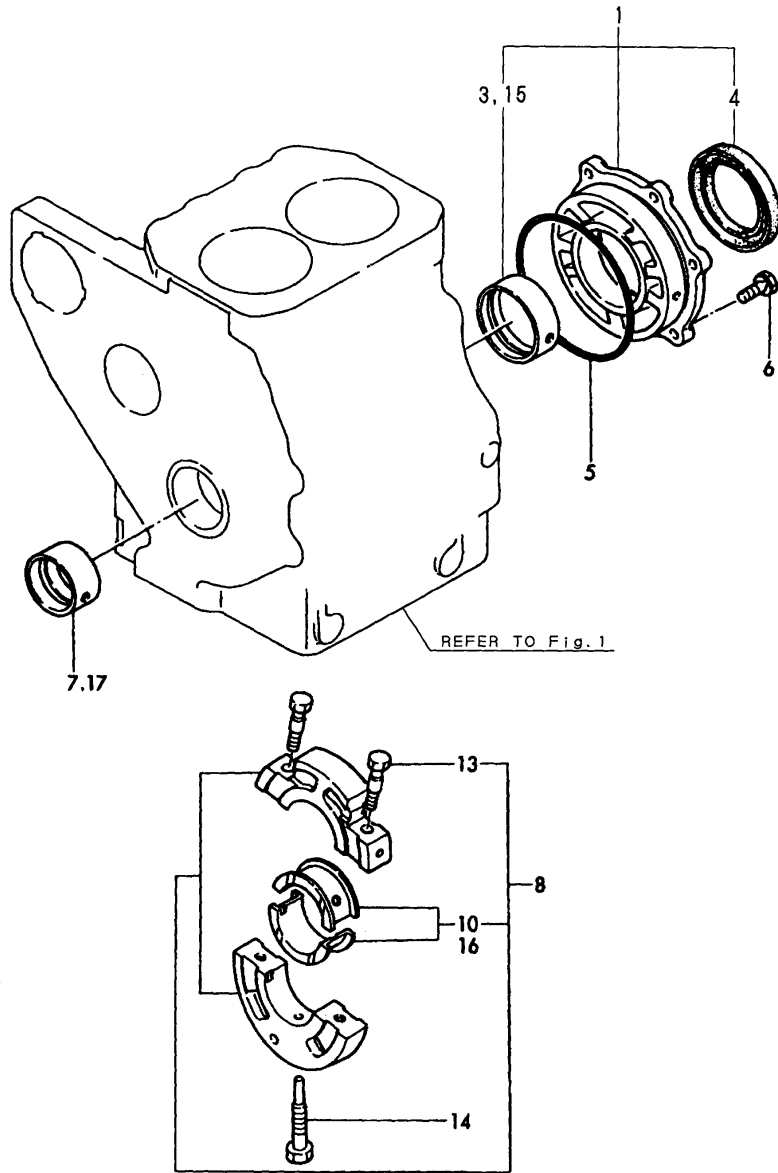
(A)=2GM20-YEU
(B)=2GM20C-YEU
(C)=2GM20F-YEU

(D)=2GM20FC-YEU
(E)=
(F)=

REF.	LEV.	PARTS NO.	DESCRIPTION	Q'TY						I	R
				(A)	(B)	(C)	(D)	(E)	(F)		
1	1	128270-01720	PAN, LUB OIL	1	1	1	1				
2	1	124000-01751	GASKET, (NON-ASB.)	1	1	1	1				
3	1	26014-060202	BOLT M 6X 20	17	17	17	17				

Fig.6. MAIN METAL HOUSING

Fig. 6 メインメタル
MAIN METAL HOUSING



OCR10-G47101 6. MAIN METAL HOUSING

(A)=2GM20-YEU
(B)=2GM20C-YEU
(C)=2GM20F-YEU

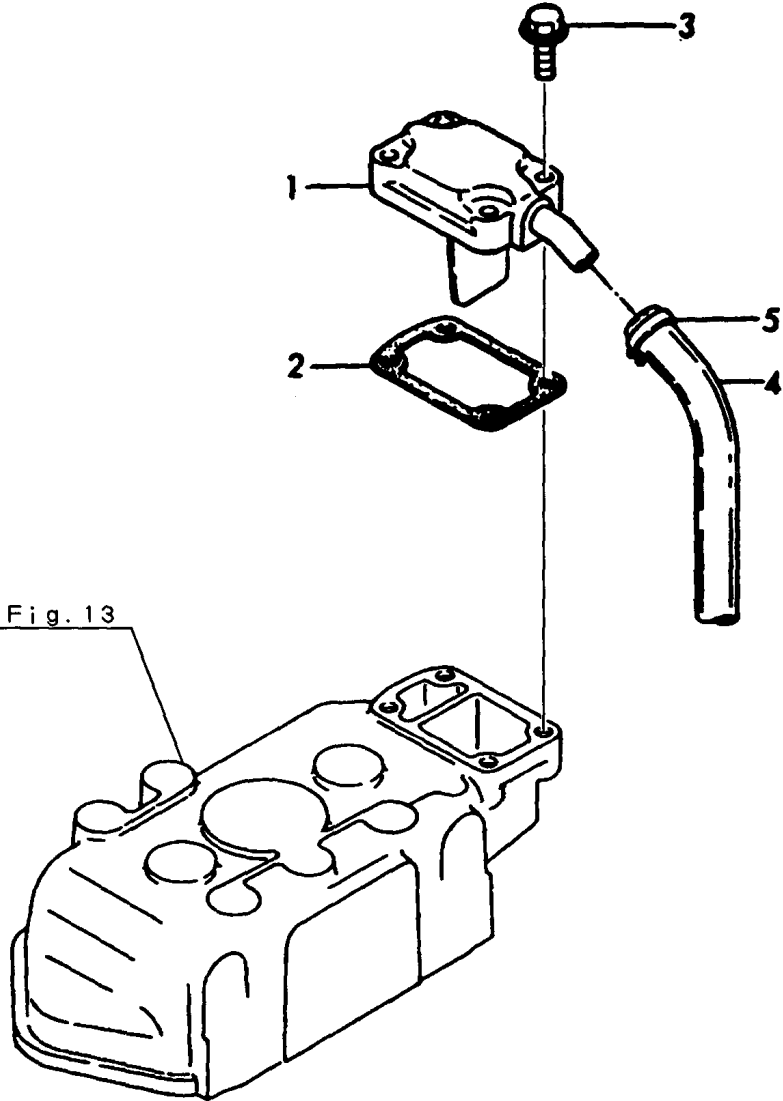
(D)=2GM20FC-YEU
(E)=
(F)=

REF.	LEV.	PARTS NO.	DESCRIPTION	Q'TY						I	R
				(A)	(B)	(C)	(D)	(E)	(F)		
1	1	721450-02500	HOUSING ASSY METAL	1	1	1	1				
3	2	121450-02110	MAIN METAL	1	1	1	1				
4	2	124085-02220	SEAL, OIL	1	1	1	1				
5	1	105225-02020	O-RING	1	1	1	1				
6	1	26013-080202	BOLT W/WASHER M8X20	6	6	6	6				
7	1	121450-02100	MAIN METAL	1	1	1	1				
8	1	721450-02612	HOUSING ASSY, BEARING	1	1	1	1				
10	2	121450-02160	MAIN METAL(1)	1	1	1	1				
13	2	121450-02071	BOLT	2	2	2	2				
14	1	105225-02300	BOLT	1	1	1	1				
15	1	121450-02320	MAIN METAL 0.25US	1	1	1	1				1
16	1	121450-02370	MAIN METAL 0.25US	1	1	1	1				1
17	1	121450-02310	MAIN METAL 0.25US	1	1	1	1				1

Remarks
(1) UNDER SIZED (U.S.=0.25) PART

Fig.7. BREATHER

Fig. 7 ブリーザ
BREATHER



OCR10-G47101 7. BREATHER

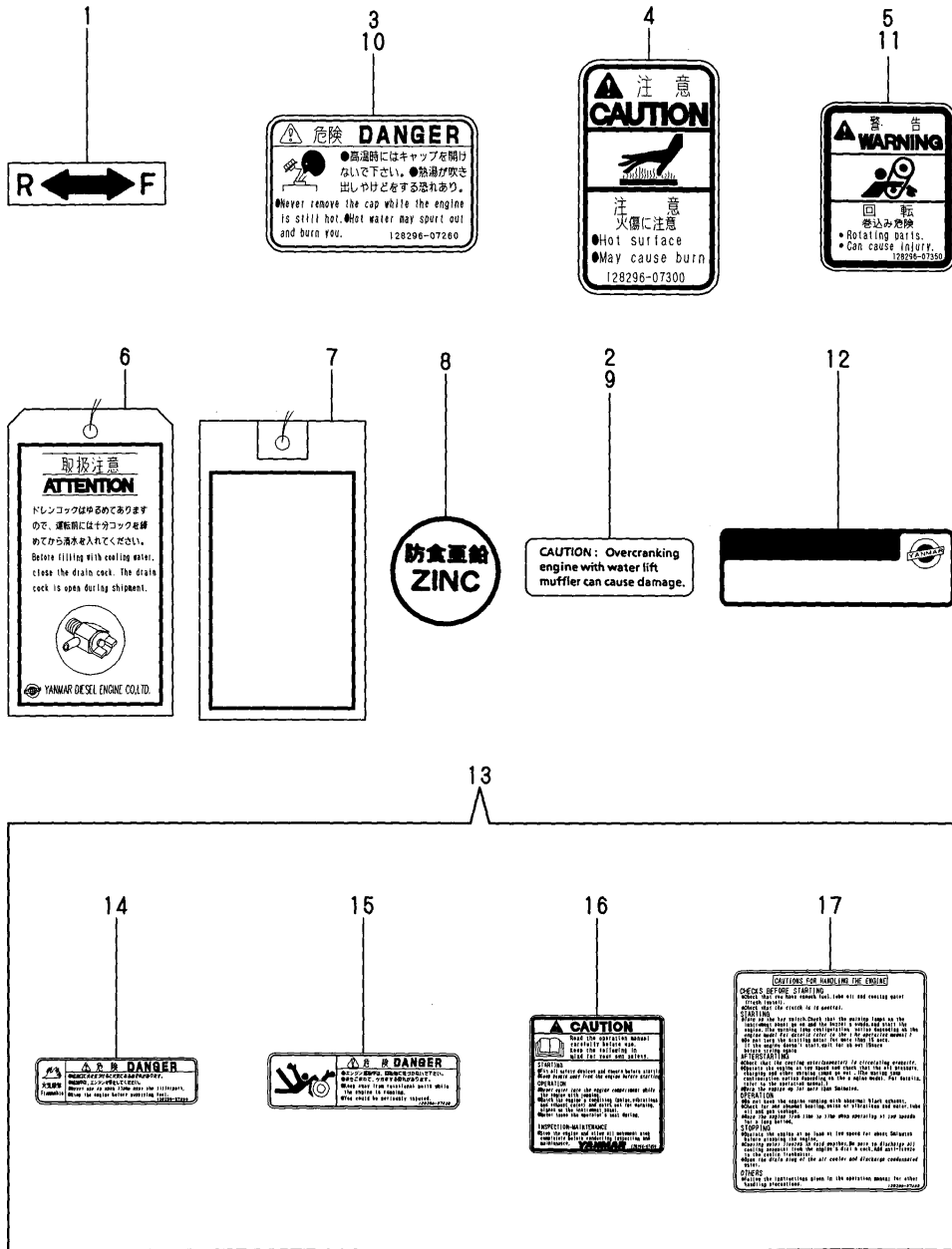
(A)=2GM20-YEU
(B)=2GM20C-YEU
(C)=2GM20F-YEU

(D)=2GM20FC-YEU
(E)=
(F)=

REF.	LEV.	PARTS NO.	DESCRIPTION	Q'TY						I	R
				(A)	(B)	(C)	(D)	(E)	(F)		
1	1	121000-03021	COVER, BREATHER	1	1	1	1				
2	1	121000-03071	GASKET	1	1	1	1				
3	1	26106-060252	BOLT M 6X 25 PLATED	4	4	4	4				
4	1	128270-03200	PIPE, BREATHER	1	1	1	1				
5	1	23080-013000	CLAMP 13,HOSE	2	2	2	2				

Fig.8. LABEL

Fig. 8 銘板 LABEL



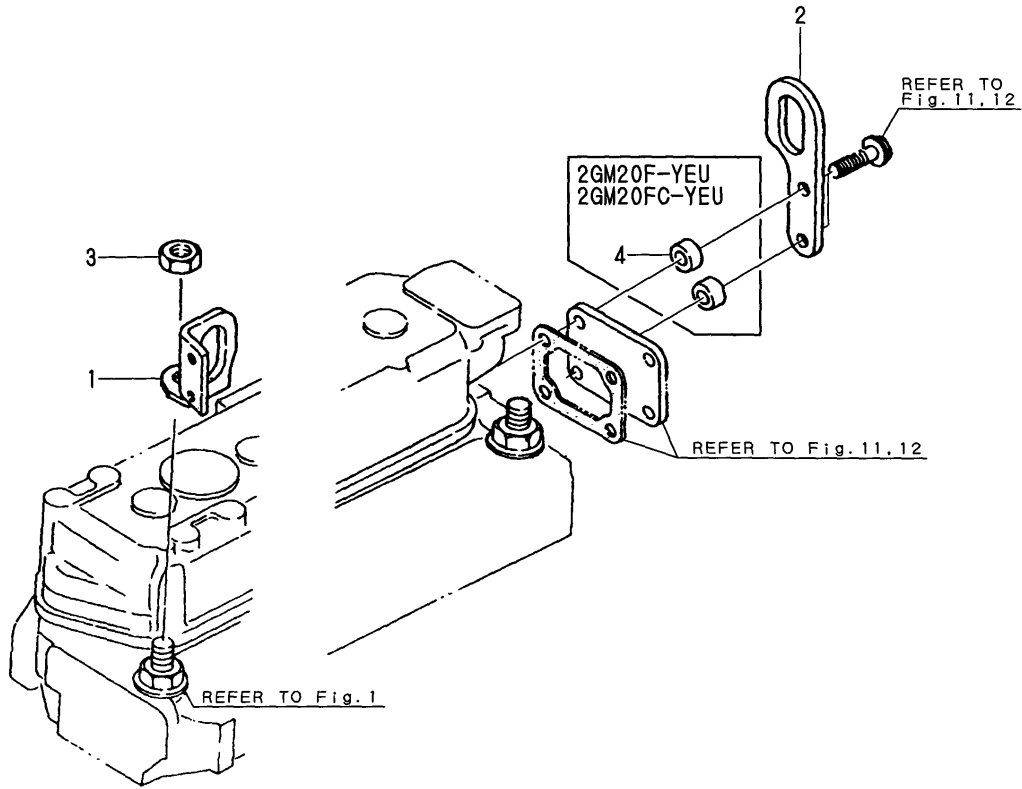
(A)=2GM20-YEU
(B)=2GM20C-YEU
(C)=2GM20F-YEU

(D)=2GM20FC-YEU
(E)=
(F)=

REF.	LEV.	PARTS NO.	DESCRIPTION	QTY						I	R
				(A)	(B)	(C)	(D)	(E)	(F)		
1	1	177088-02430	LABEL	1	1	1	1				
2	1	128377-07150	CAUTION LABEL	1	1	1	1				
3	1	128377-07260	LABEL,DANGER				1	1			
4	1	128296-07300	LABEL,DANGER				1	1			
5	1	128377-07350	LABEL,WARNING	1	1	1	1				
6	1	123682-07851	LABEL, CW. TANK				1	1			
7	1	128170-07850	LABEL, CAUTION	1	1						
8	1	124220-09340	LABEL	2	2						
9	1	128171-07150	LABEL	1	1	1	1				
10	1	128296-07260	LABEL,DANGER				1	1			
11	1	128296-07350	LABEL	1	1	1	1				
12	1	128277-07500	LABEL, BSO	1	1	1	1				
13	1	128296-07190	LABEL,LOOSE PARTS	1	1	1	1				
14	2	128296-07400	LABEL,DANGER	2	2	2	2				
15	2	128296-07420	LABEL,DANGER	1	1	1	1				
16	2	128296-07450	LABEL,DANGER	1	1	1	1				
17	2	128296-07460	LABEL,DANGER	1	1	1	1				

Fig.9. ENGINE LIFTER

Fig. 9 吊り上げ金具
ENGINE LIFTER



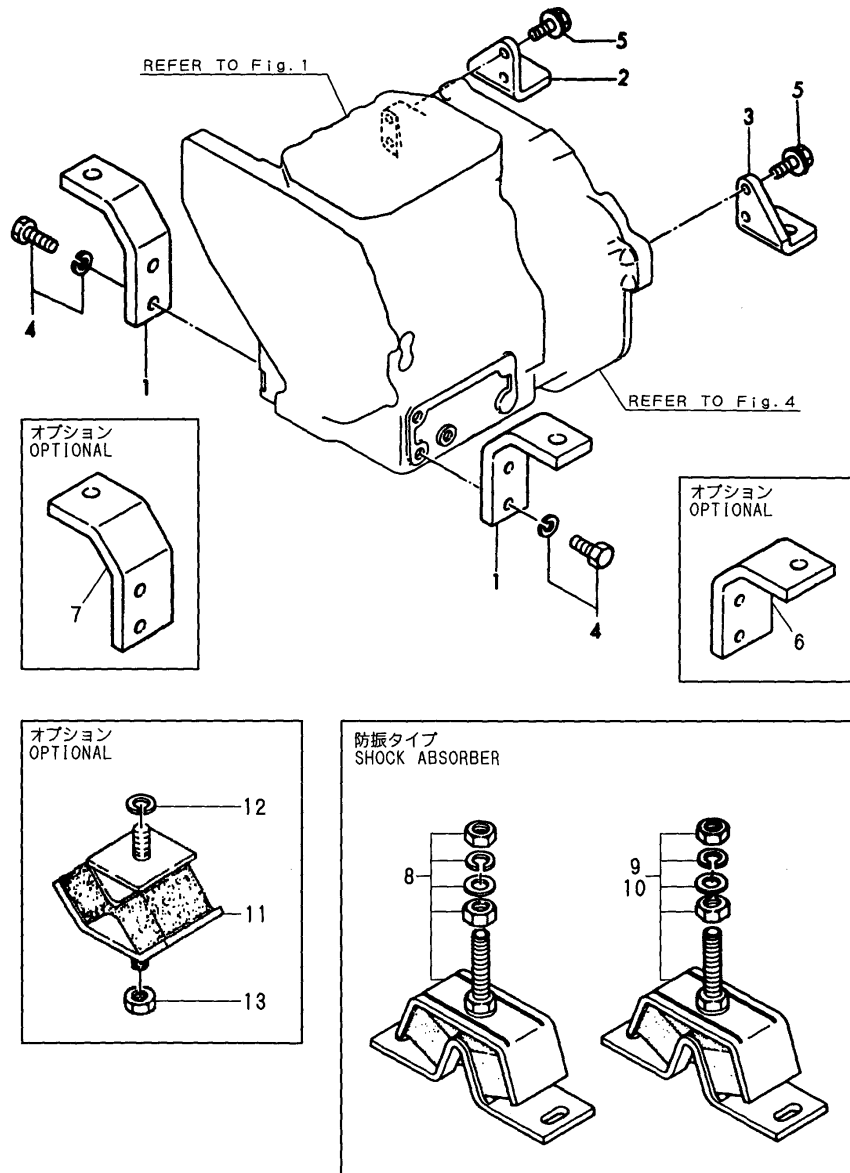
(A)=2GM20-YEU
(B)=2GM20C-YEU
(C)=2GM20F-YEU

(D)=2GM20FC-YEU
(E)=
(F)=

REF.	LEV.	PARTS NO.	DESCRIPTION	Q'TY						I	R
				(A)	(B)	(C)	(D)	(E)	(F)		
1	1	128695-07230	LIFTER, ENGINE	1	1	1	1				
2	1	121575-07240	LIFTER, ENGINE	1	1	1	1				
3	1	26776-120002	LOCK NUT M12 PLATED	1	1	1	1				
4	1	123372-03150	SPACER			2	2				

Fig.10. ENGINE BRACKET

Fig. 10 マウンティングフット
ENGINE BRACKET



(A)=2GM20-YEU
(B)=2GM20C-YEU
(C)=2GM20F-YEU

(D)=2GM20FC-YEU
(E)=
(F)=

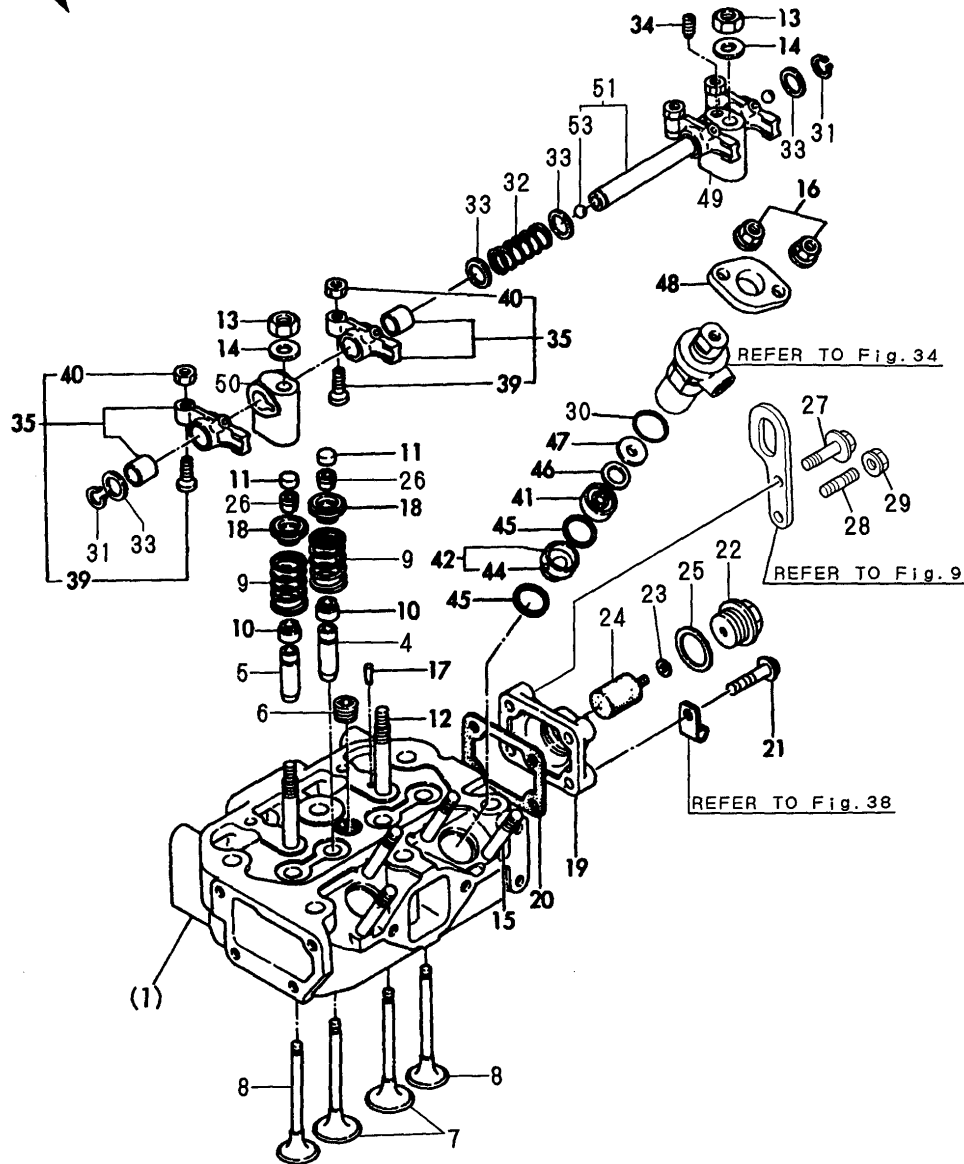
REF.	LEV.	PARTS NO.	DESCRIPTION	QTY						I	R
				(A)	(B)	(C)	(D)	(E)	(F)		
1	1	128377-08100	BRACKET (A), ENGINE	2	2	2	2				
2	1	128377-08120	BRACKET (A), REAR	1	1	1	1				
3	1	128377-08130	BRACKET (B), REAR	1	1	1	1				
4	1	26013-120302	BOLT W/WASHER M12X30	4	4	4	4				
5	1	26106-100252	BOLT M10X 25 PLATED	4	4	4	4				
6	1	128271-08150	BRACKET A, ENGINE	1	1	1	1				1
6-1	1	128277-08150	BRACKET (A)	1	1	1	1				R 1
		(A=E/#04898) (B=*1999.08) (C=E/#05032) (D=E/#04988)									
7	1	128271-08160	BRACKET B, ENGINE	1	1	1	1				1
7-1	1	128277-08160	BRACKET (B)	1	1	1	1				R 1
		(A=E/#04898) (B=*1999.08) (C=E/#05032) (D=E/#04988)									
8	1	128377-08340	MOUNTING, FLEX.75	2	2	2	2				
9	1	128377-08350	MOUNTING, FLEX.100	2	2	2	2				
10	1	128377-08350	MOUNTING, FLEX.100	4	4	4	4				1
11	1	129795-08340	ABSORBER	1	1	1	1				1
12	1	22217-120000	SPRING WASHER	2	2	2	2				1
13	1	26716-120002	NUT 12	2	2	2	2				1

Remarks
(1)OPTIONAL

Fig.11. CYLINDER HEAD(2GM20,C-YEU)

Fig. 11 シリンダヘッド (2GM20/C-YEU)
CYLINDER HEAD (2GM20/C-YEU)

見出しNo. 1は、見出しNo. (1) から29を含みます。
1 inc. (1) ~ 29



OCR10-G47101 11. CYLINDER HEAD(2GM20,C-YEU)

(A)=2GM20-YEU
(B)=2GM20C-YEU
(C)=2GM20F-YEU

(D)=2GM20FC-YEU

(E)=

(F)=

REF.	LEV.	PARTS NO.	DESCRIPTION	QTY						I	R
				(A)	(B)	(C)	(D)	(E)	(F)		
1	1	728272-11700	HEAD ASSY, CYLINDER	1	1						
4	3	124060-11160	GUIDE, VALVE	2	2						
5	3	128272-11170	GUIDE, VALVE	2	2						
6	3	23871-030000	PLUG PT3/8,SCREW	1	1						
6-1	3	23876-030000	PLUG PT3/8,SCREW	1	1						R
		(A=*1999.06) (B=*1999.06)									
7	2	105225-11100	VALVE, SUCTION	2	2						
8	2	105225-11110	VALVE, EXHAUST	2	2						
9	2	121575-11121	SPRING, VALVE	4	4						
10	2	124950-11340	SEAL, VALVE STEM	4	4						
11	2	104211-11370	CAP, VALVE	4	4						
12	2	105225-11350	STUD, SUPPORT	2	2						
13	2	26696-100002	NUT M10	2	2						
14	2	22137-100000	WASHER 10,POLISHED	2	2						
14-1	2	22117-100000	WASHER 10	2	2						R
		(A=E/#03401) (B=E/#03411)									
15	2	26216-080652	STUD M 8X 65 PLATED	4	4						
16	2	26366-080002	NUT M 8	4	4						
17	2	121000-11050	PIN 4.5X10	1	1						
18	2	104200-11180	RETAINER, SPRING	4	4						
19	2	121575-11670	COVER	1	1						
20	2	121450-11681	GASKET, (NON-ASB.)	1	1						
21	2	26106-080302	BOLT M 8X 30 PLATED	1	1						
22	2	122780-09320	PLUG	1	1						
23	2	123210-09310	PACKING	1	1						
24	2	27210-200300	ZINC, ANTI-CORROSIVE	1	1						
25	2	23414-250000	GASKET 25,ROUND	1	1						
26	2	27310-070001	COTTER ASSY	4	4						
27	2	26106-080352	BOLT M 8X 35 PLATED	2	2						
28	2	26216-080352	STUD M 8X 35 PLATED	1	1						
29	2	26366-080002	NUT M 8	1	1						
30	1	24341-000260	O-RING 1A S-26.0	2	2						
31	1	22242-000140	CIRCLIP 14	2	2						
32	1	121550-11280	SPRING	1	1						
33	1	121550-11290	WASHER	4	4						
34	1	128370-11290	SCREW	1	1						
35	1	724085-11650	ARM ASSY, ROCKER	4	4						
39	2	101158-11230	SCREW, VALVE	4	4						
40	2	26756-080002	LOCK NUT M 8 PLATED	4	4						
41	1	128275-11410	CHAMBER, REAR	2	2						
42	1	105311-11420	CHAMBER, FRONT	2	2						
44	2	103338-11430	PIN	2	2						
45	1	124950-11450	GASKET, CHAMBER	4	4						
46	1	128275-11490	INSULATOR	2	2						
47	1	128275-11500	COVER	2	2						
48	1	101147-11900	FLANGE	2	2						
49	1	121450-11260	SUPPORT, ROCKER ARM	1	1						
50	1	121450-11270	SUPPORT, ROCKER ARM	1	1						
51	1	124000-11240	SHAFT, ROCKER ARM	1	1						
53	2	24190-110001	BALL 11/32, STEEL	2	2						

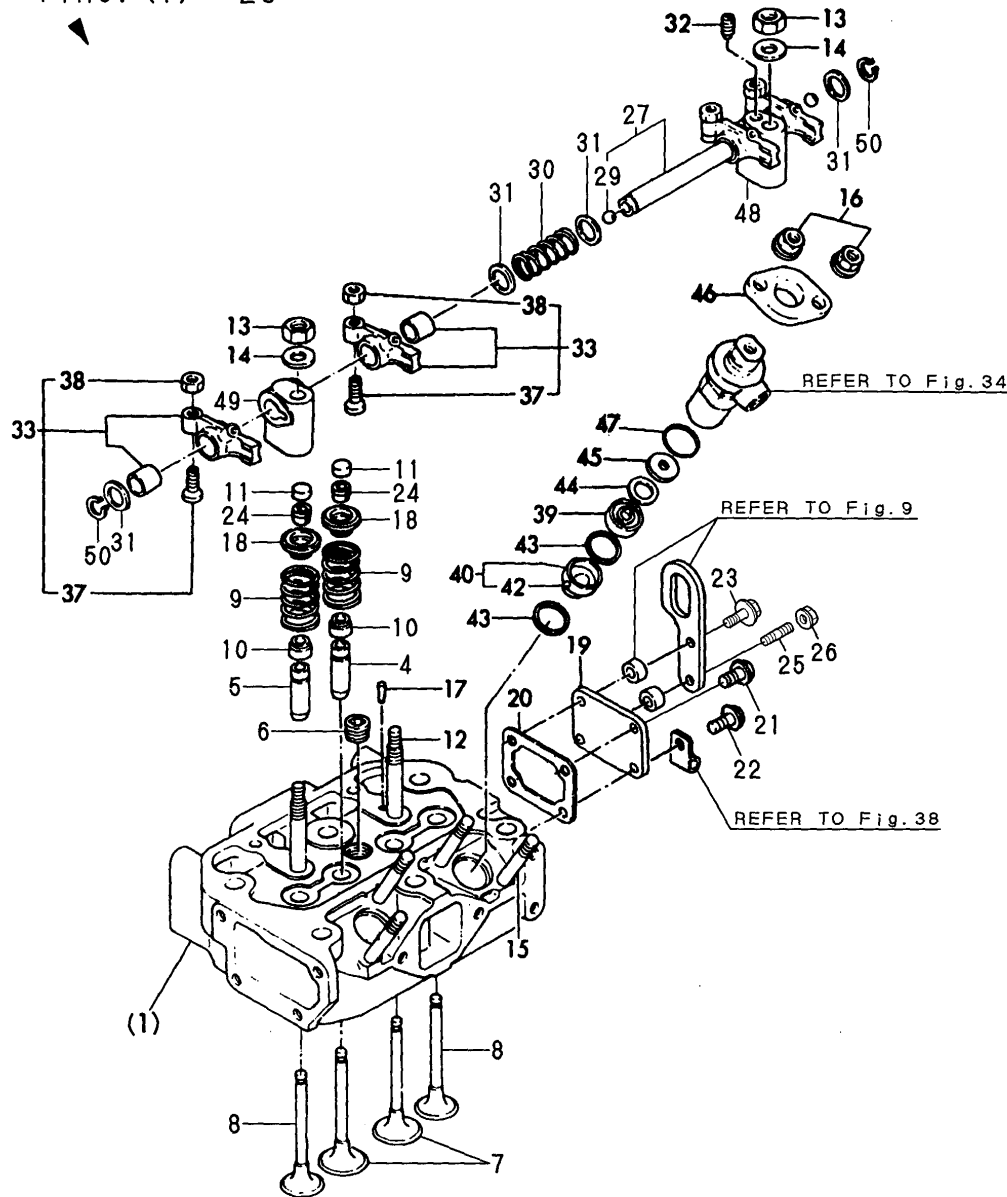
N:Old $\begin{matrix} \text{Yes} \\ \text{No} \end{matrix}$ New, Q:Old $\begin{matrix} \text{No} \\ \text{Yes} \end{matrix}$ New, R:Old $\begin{matrix} \text{Yes} \\ \text{No} \end{matrix}$ New, S:Old $\begin{matrix} \text{No} \\ \text{Yes} \end{matrix}$ New, W:Add, Z:Discontinued, F:Interchangeable by set, K:Q'ty Change

(C)Copy Rights YANMAR CO.,LTD.

Fig.12. CYLINDER HEAD(2GM20F,FC-YEU)

Fig. 12 シリンダヘッド (2GM20F/FC-YEU)
CYLINDER HEAD (2GM20F/FC-YEU)

見出しNo. 1は、見出しNo. (1) から26を含みます。
1 inc. (1) ~ 26



OCR10-G47101 12. CYLINDER HEAD(2GM20F,FC-YEU)

(A)=2GM20-YEU
(B)=2GM20C-YEU
(C)=2GM20F-YEU

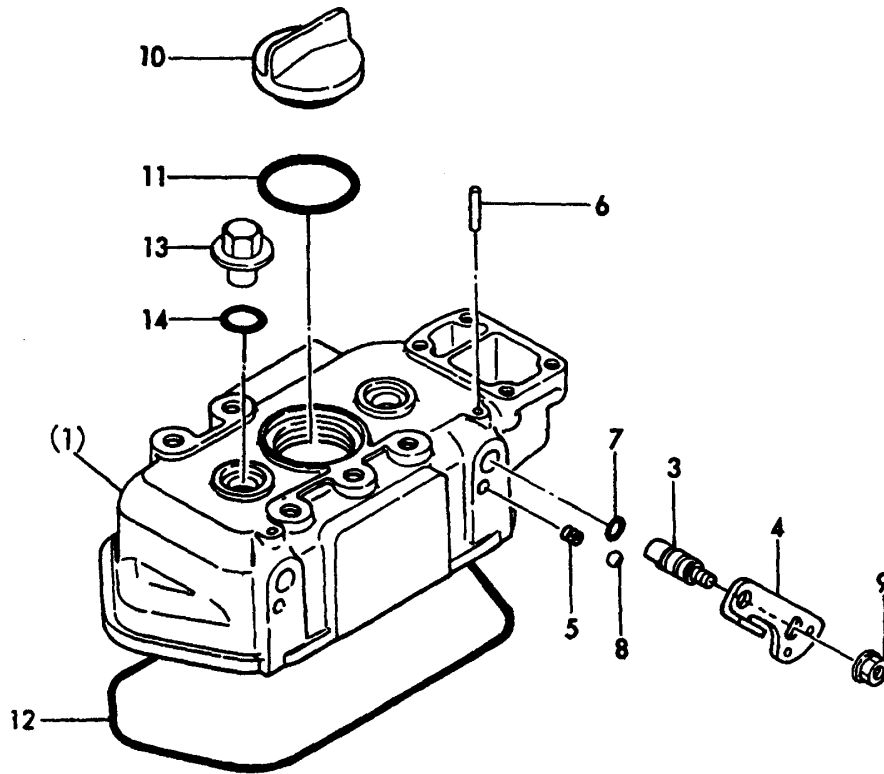
(D)=2GM20FC-YEU
(E)=
(F)=

REF.	LEV.	PARTS NO.	DESCRIPTION	QTY						I	R
				(A)	(B)	(C)	(D)	(E)	(F)		
1	1	728291-11700	HEAD ASSY, CYLINDER			1	1				
4	3	124060-11160	GUIDE, VALVE			2	2				
5	3	128272-11170	GUIDE, VALVE			2	2				
6	3	23871-030000	PLUG PT3/8,SCREW			1	1				
6-1	3	23876-030000	PLUG PT3/8,SCREW (C=*1999.06) (D=*1999.06)			1	1				R
7	2	105225-11100	VALVE, SUCTION			2	2				
8	2	105225-11110	VALVE, EXHAUST			2	2				
9	2	121575-11121	SPRING, VALVE			4	4				
10	2	124950-11340	SEAL, VALVE STEM			4	4				
11	2	104211-11370	CAP, VALVE			4	4				
12	2	105225-11350	STUD, SUPPORT			2	2				
13	2	26696-100002	NUT M10			2	2				
14	2	22137-100000	WASHER 10,POLISHED			2	2				
14-1	2	22117-100000	WASHER 10 (C=E/#03379) (D=E/#03407)			2	2				R
15	2	26216-080652	STUD M 8X 65 PLATED			4	4				
16	2	26366-080002	NUT M 8			4	4				
17	2	121000-11050	PIN 4.5X10			1	1				
18	2	104200-11180	RETAINER, SPRING			4	4				
19	2	121450-11670	COVER			1	1				
20	2	121450-11681	GASKET, (NON-ASB.)			1	1				
21	2	26106-080122	BOLT M 8X 12 PLATED			1	1				
22	2	26106-080142	BOLT M 8X 14 PLATED			1	1				
23	2	26106-080252	BOLT M 8X 25 PLATED			1	1				
24	2	27310-070001	COTTER ASSY			4	4				
25	2	26216-080352	STUD M 8X 35 PLATED			1	1				
26	2	26366-080002	NUT M 8			1	1				
27	1	124000-11240	SHAFT, ROCKER ARM			1	1				
29	2	24190-110001	BALL 11/32, STEEL			2	2				
30	1	121550-11280	SPRING			1	1				
31	1	121550-11290	WASHER			4	4				
32	1	128370-11290	SCREW			1	1				
33	1	724085-11650	ARM ASSY, ROCKER			4	4				
37	2	101158-11230	SCREW, VALVE			4	4				
38	2	26756-080002	LOCK NUT M 8 PLATED			4	4				
39	1	128275-11410	CHAMBER, REAR			2	2				
40	1	105311-11420	CHAMBER, FRONT			2	2				
42	2	103338-11430	PIN			2	2				
43	1	124950-11450	GASKET, CHAMBER			4	4				
44	1	128275-11490	INSULATOR			2	2				
45	1	128275-11500	COVER			2	2				
46	1	101147-11900	FLANGE			2	2				
47	1	24341-000260	O-RING 1A S-26.0			2	2				
48	1	121450-11260	SUPPORT, ROCKER ARM			1	1				
49	1	121450-11270	SUPPORT, ROCKER ARM			1	1				
50	1	22242-000140	CIRCLIP 14			2	2				

Fig.13. BONNET

Fig. 13 ボンネット
BONNET

見出しNo. 1は、見出しNo. (1) から12を含みます。
1 inc. (1) ~ 12



(A)=2GM20-YEU
(B)=2GM20C-YEU
(C)=2GM20F-YEU

(D)=2GM20FC-YEU
(E)=
(F)=

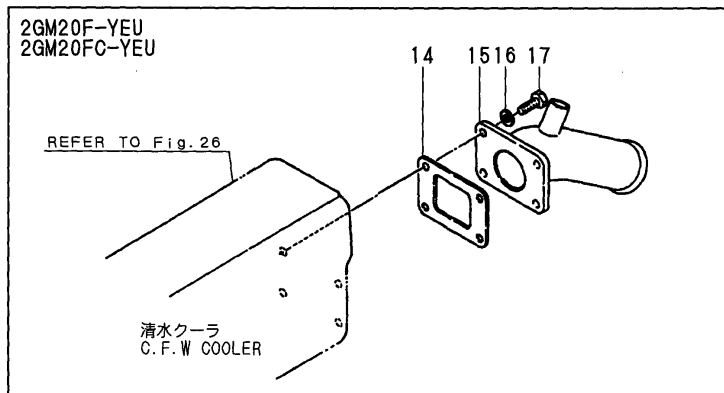
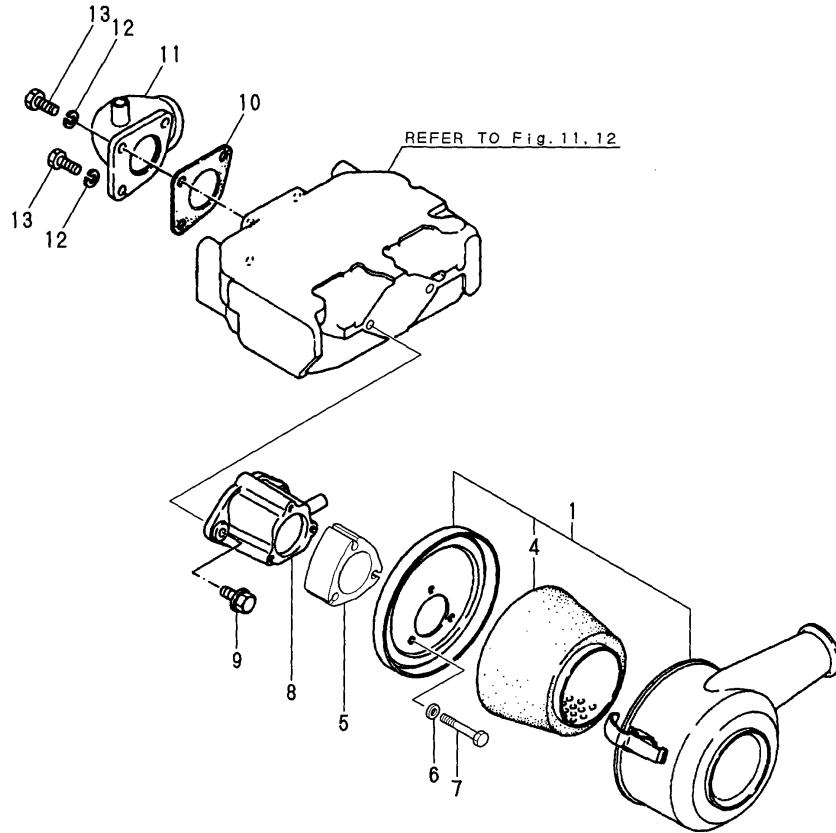
REF.	LEV.	PARTS NO.	DESCRIPTION	Q'TY						I	R
				(A)	(B)	(C)	(D)	(E)	(F)		
1	1	728270-11520	BONNET ASSY, HEAD	1	1	1	1				
3	2	128270-03610	SHAFT, DECOMPRESSION	2	2	2	2				
4	2	128270-03750	LEVER, DECOMPRESSION	2	2	2	2				
5	2	128270-03640	SPRING	2	2	2	2				
6	2	22312-030220	PARALLEL PIN 3X22	2	2	2	2				
7	2	24311-000070	O-RING 1A P-7.0	2	2	2	2				
8	2	24190-080001	BALL 1/4, STEEL	2	2	2	2				
9	2	26366-060002	NUT M 6	2	2	2	2				
10	2	124160-01751	CAP, LUB.OIL SUPPLY	1	1	1	1				
11	2	24321-000350	O-RING 1A G-35.0	1	1	1	1				
12	2	128270-11310	GASKET, BONNET	1	1	1	1				
13	1	124160-11360	KNOB	2	2	2	2				
14	1	24311-000120	O-RING 1A P 12.0	2	2	2	2				

Fig.14. SUCTION MANIFOLD & MIXING ELBOW

(A)=2GM20-YEU
(B)=2GM20C-YEU
(C)=2GM20F-YEU

(D)=2GM20FC-YEU
(E)=
(F)=

Fig. 14 吸気マニホールド&ミキシングエルボ
SUCTION MANIFOLD & MIXING ELBOW

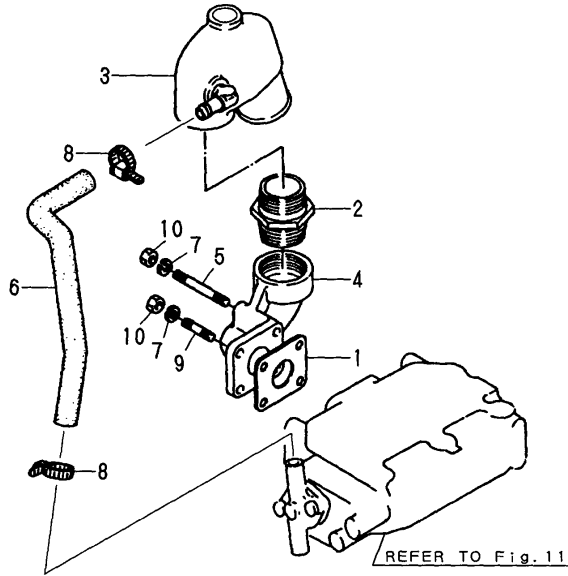


REF.	LEV.	PARTS NO.	DESCRIPTION	Q'TY						I	R
				(A)	(B)	(C)	(D)	(E)	(F)		
1	1	128377-12500	SILENCER, AIR INTAKE	1	1	1	1				
4	2	128377-12530	ELEMENT, SILENCER	1	1	1	1				
5	1	128277-12711	SPACER, SIRENCER	1	1	1	1				
6	1	22117-060000	WASHER 6	3	3	3	3				
7	1	26106-060402	BOLT M 6X 40 PLATED	3	3	3	3				
8	1	128270-12700	PIPE, AIR INTAKE	1	1	1	1				
9	1	26106-080182	BOLT M 8X 18 PLATED	2	2	2	2				
10	1	128170-13201	GASKET, (NON-ASB.)	1	1						
11	1	128170-13530	ELBOW, WATER MIXING	1	1						
12	1	22217-080000	SPRING WASHER 8	3	3						
13	1	26115-080202	BOLT M 8X 20	3	3						
14	1	128370-13201	GASKET, (NON-ASB.)				1	1			
15	1	128397-13530	ELBOW, MIXING				1	1			
16	1	22217-080000	SPRING WASHER 8				4	4			
17	1	26203-080202	BOLT M 8X 20				4	4			

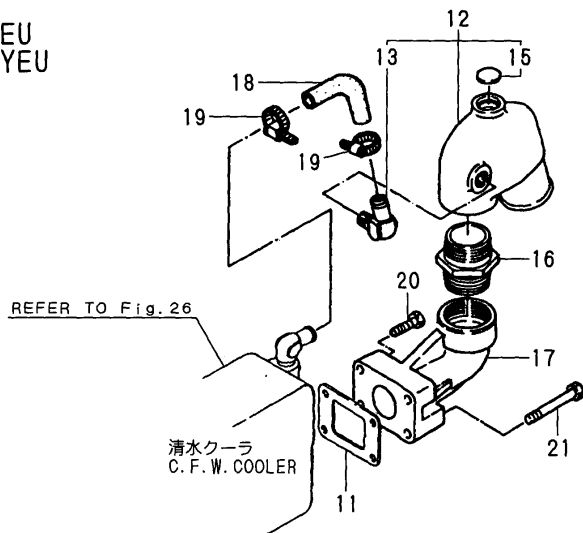
Fig.15. MIXING ELBOW(OPTIONAL)

Fig. 15 ミキシングエルボ (オプション)
MIXING ELBOW (OPTIONAL)

2GM20-YEU
2GM20C-YEU



2GM20F-YEU
2GM20FC-YEU



(A)=2GM20-YEU
(B)=2GM20C-YEU
(C)=2GM20F-YEU

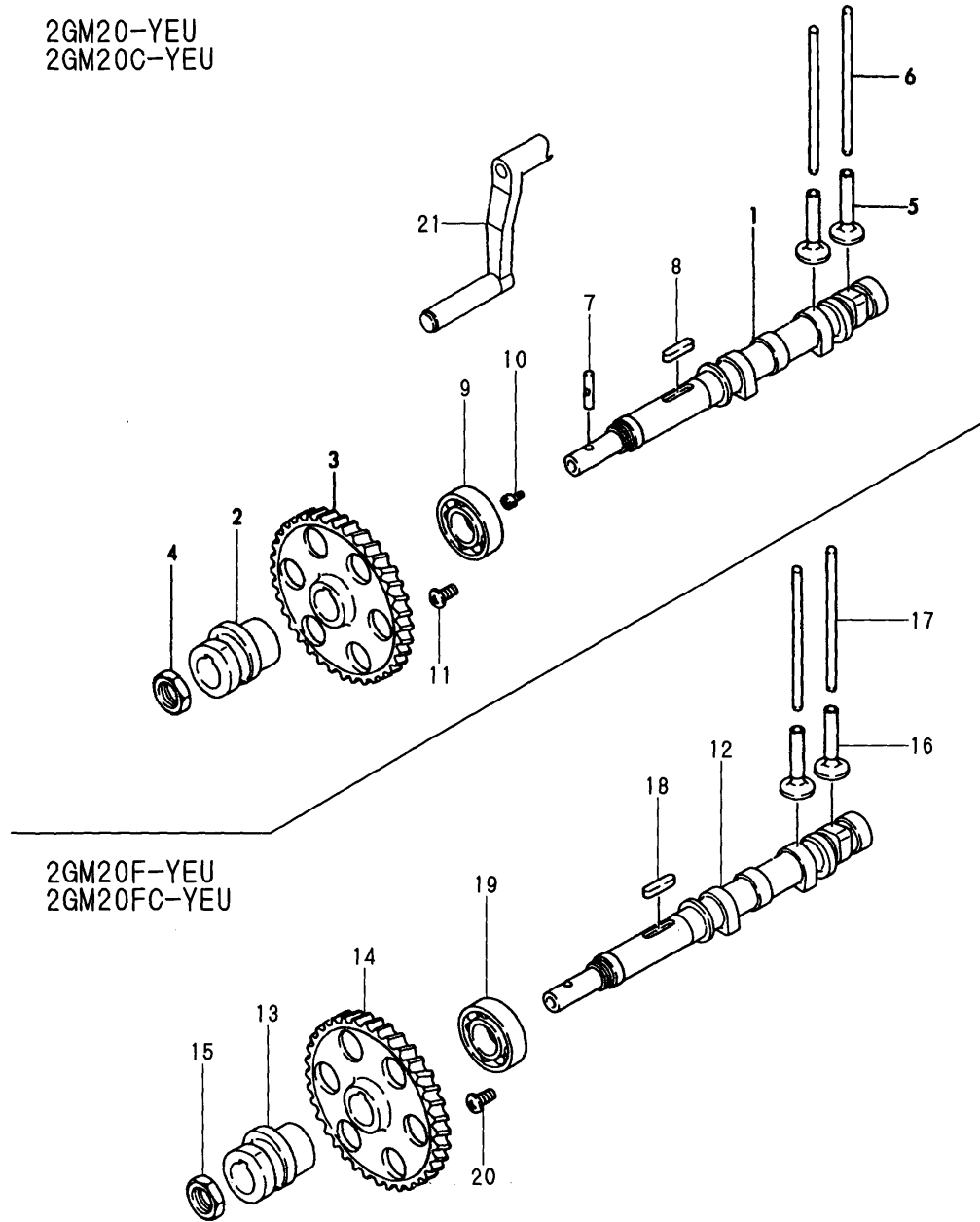
(D)=2GM20FC-YEU
(E)=
(F)=

REF.	LEV.	PARTS NO.	DESCRIPTION	Q'TY						I	R
				(A)	(B)	(C)	(D)	(E)	(F)		
1	1	124000-13201	GASKET, (NON-ASB.)	1	1						
2	1	104214-13580	JOINT	1	1						
3	1	128270-13600	ELBOW, U-TYPE	1	1						
4	1	128270-13610	ELBOW, EXHAUST	1	1						
5	1	128270-13650	STUD BOLT	2	2						
6	1	128270-49250	PIPE, COOLING WATER	1	1						
7	1	22217-080000	SPRING WASHER 8	4	4						
8	1	23000-022000	CLAMP 22	2	2						
9	1	26213-080222	STUD M 8X 22	2	2						
10	1	26713-080002	NUT M 8	4	4						
11	1	128370-13201	GASKET, (NON-ASB.)			1	1				
12	1	124070-13520	ELBOW, MIXING			1	1				
13	2	124070-13300	ELBOW (PT3/8)			1	1				
15	2	27233-250000	PLUG 25			1	1				
16	1	104214-13580	JOINT			1	1				
17	1	128370-13610	ELBOW, EXHAUST			1	1				
18	1	128690-49250	PIPE, COOLING WATER			1	1				
19	1	23000-025000	CLAMP 25			2	2				
20	1	26203-080402	BOLT M 8X 40			2	2				
21	1	26203-080602	BOLT M 8X 60			2	2				

Fig.16. CAMSHAFT

Fig. 16 カムシャフト
CAMSHAFT

2GM20-YEU
2GM20C-YEU



2GM20F-YEU
2GM20FC-YEU

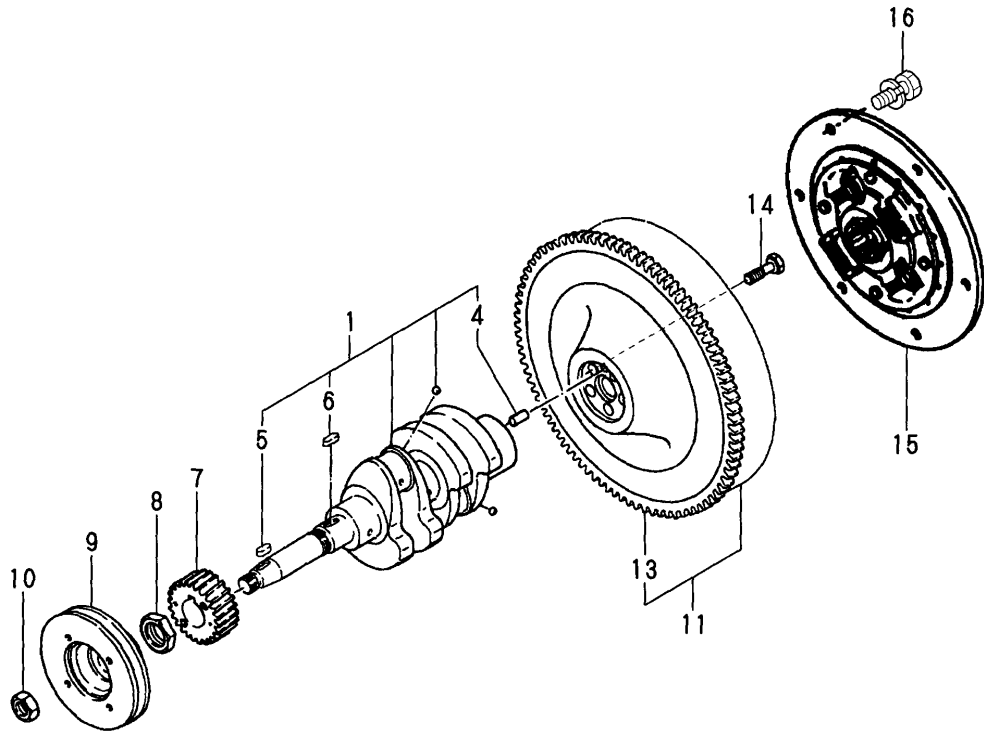
(A)=2GM20-YEU
(B)=2GM20C-YEU
(C)=2GM20F-YEU

(D)=2GM20FC-YEU
(E)=
(F)=

REF.	LEV.	PARTS NO.	DESCRIPTION	Q'TY						I	R
				(A)	(B)	(C)	(D)	(E)	(F)		
1	1	128270-14010	CAMSHAFT	1	1						
2	1	124000-14090	CAM, FUEL	1	1						
3	1	129350-14100	GEAR, CAMSHAFT	1	1						
4	1	128170-14150	NUT, CAM	1	1						
5	1	104200-14200	TAPPET	4	4						
6	1	121450-14400	ROD, PUSH	4	4						
7	1	124070-14760	PIN	1	1						
8	1	22512-070300	KEY 7X 30	1	1						
9	1	24101-062054	BEARING #6205	1	1						
10	1	26450-050102	BOLT M 5X 10	1	1						
11	1	26587-080122	SCREW M 8X 12	1	1						
12	1	128270-14010	CAMSHAFT			1	1				
13	1	124000-14090	CAM, FUEL			1	1				
14	1	129350-14100	GEAR, CAMSHAFT			1	1				
15	1	128170-14150	NUT, CAM			1	1				
16	1	104200-14200	TAPPET			4	4				
17	1	121450-14400	ROD, PUSH			4	4				
18	1	22512-070300	KEY 7X 30			1	1				
19	1	24101-062054	BEARING #6205			1	1				
20	1	26587-080122	SCREW M 8X 12			1	1				
21	1	128170-76790	HANDLE, STARTING	1	1						

Fig.17. CRANKSHAFT & FLYWHEEL

Fig. 17 クランクシャフト&フライホイール
CRANKSHAFT & FLYWHEEL



OCR10-G47101 17. CRANKSHAFT & FLYWHEEL

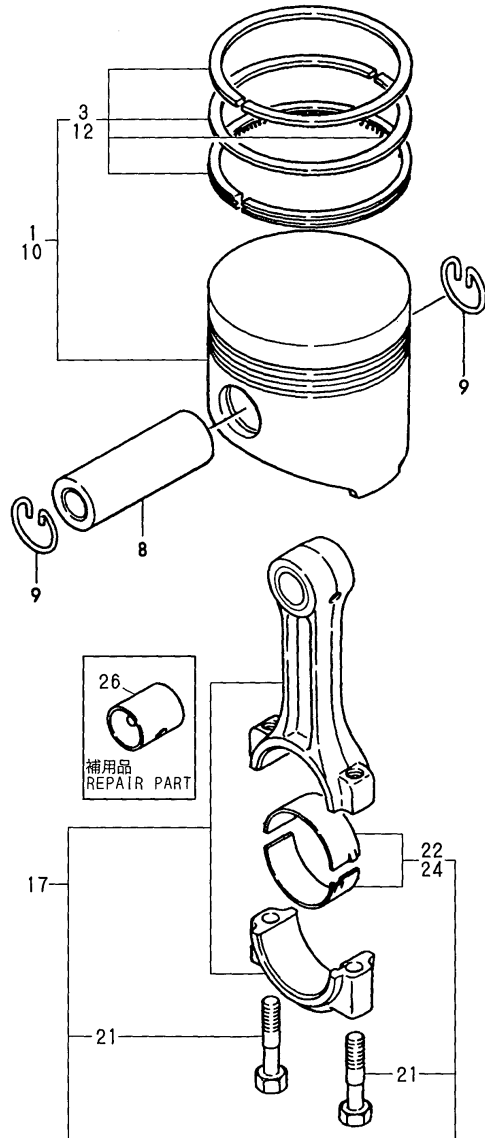
(A)=2GM20-YEU
(B)=2GM20C-YEU
(C)=2GM20F-YEU

(D)=2GM20FC-YEU
(E)=
(F)=

REF.	LEV.	PARTS NO.	DESCRIPTION	Q'TY						I	R
				(A)	(B)	(C)	(D)	(E)	(F)		
1	1	724085-21701	CRANKSHAFT ASSY	1	1	1	1				
4	2	129100-01580	PARALLEL PIN 8X16	1	1	1	1				
5	2	22512-070180	KEY 7X 18	1	1	1	1				
6	2	22512-070180	KEY 7X 18	1	1	1	1				
7	1	129350-21200	GEAR, CRANKSHAFT	1	1	1	1				
8	1	121450-21541	NUT, CRANKSHAFT GEAR	1	1	1	1				
9	1	128270-21651	V-PULLEY	1	1	1	1				
10	1	26776-180002	NUT M18,LOCK	1	1	1	1				
11	1	128271-21590	FLYWHEEL W/RING GEAR	1	1	1	1				
13	2	124950-21600	GEAR, RING	1	1	1	1				
14	1	121574-21500	BOLT, REAMER	5	5	5	5				
15	1	177070-03501	DISK (NON-ASB.)	1	1	1	1				
16	1	26013-080142	BOLT M 8X 14	6	6	6	6				

Fig.18. PISTON & CONNECTING ROD

Fig. 18 ピストン&コネクティングロッド
PISTON & CONNECTING ROD



OCR10-G47101 18. PISTON & CONNECTING ROD

(A)=2GM20-YEU
(B)=2GM20C-YEU
(C)=2GM20F-YEU

(D)=2GM20FC-YEU
(E)=
(F)=

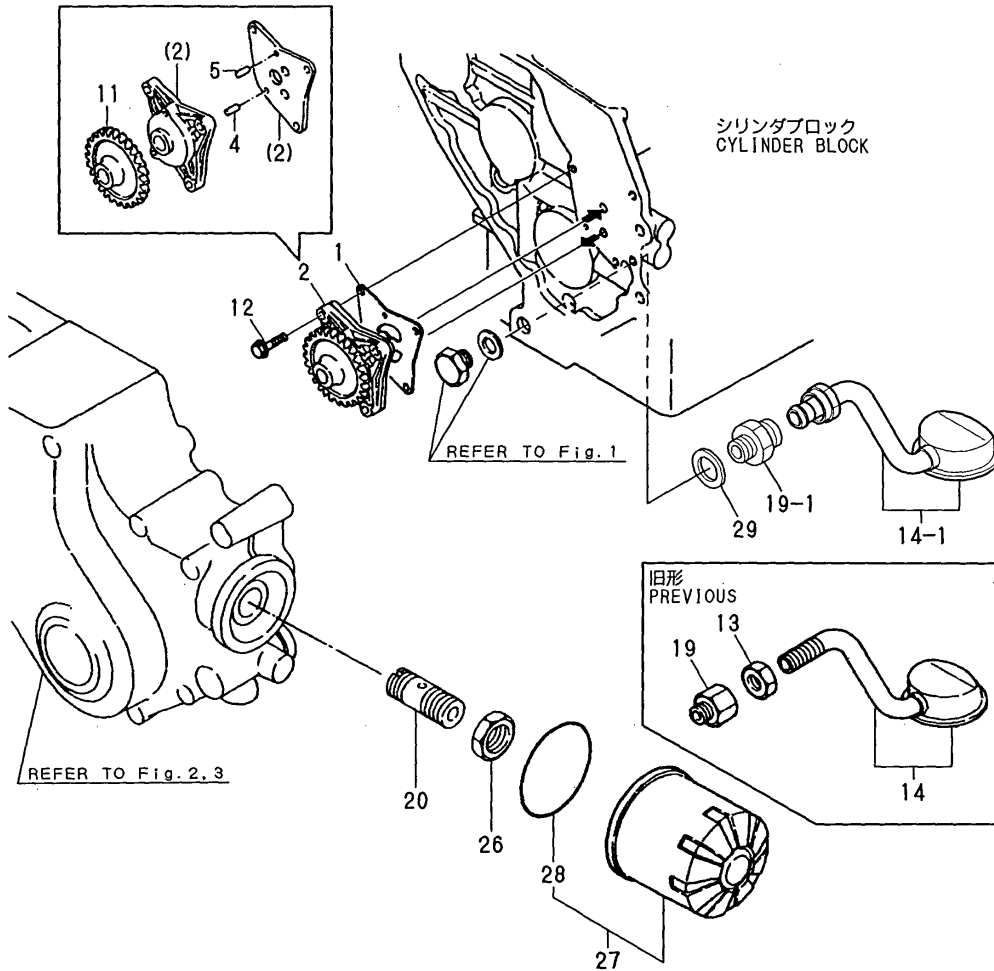
REF.	LEV.	PARTS NO.	DESCRIPTION	Q'TY						I	R
				(A)	(B)	(C)	(D)	(E)	(F)		
1	1	105311-22090	PISTON W/RINGS	2	2	2	2				
3	2	705311-22500	RING SET	2	2	2	2				
8	1	105225-22300	PIN, PISTON	2	2	2	2				
9	1	105225-22400	CIRCLIP	4	4	4	4				
10	1	128171-22250	PISTON W/RINGS OS.25	2	2	2	2				3
12	2	705325-22540	RING SET 025	2	2	2	2				3
17	1	728171-23100	ROD ASSY, CONNECTING	2	2	2	2				
21	2	105225-23200	BOLT, ROD	4	4	4	4				
22	2	705311-23600	METAL, CRANKPIN	2	2	2	2				
24	1	105311-23380	METAL, PIN US=0.25	2	2	2	2				1
26	1	105225-23180	BUSH, PISTON PIN *	2	2	2	2				2

Remarks

- (1) UNDER SIZED (U.S=0.25) PART.
- (2) REPAIR PART.
- (3) OVER SIZED (O.S=0.25) PART.

Fig.19. LUB.OIL PUMP &LUB.OIL STRAINER

Fig. 19 潤滑油ポンプ&潤滑油フィルタ
LUB.OIL PUMP & LUB.OIL STRAINER



(A)=2GM20-YEU
(B)=2GM20C-YEU
(C)=2GM20F-YEU

(D)=2GM20FC-YEU
(E)=
(F)=

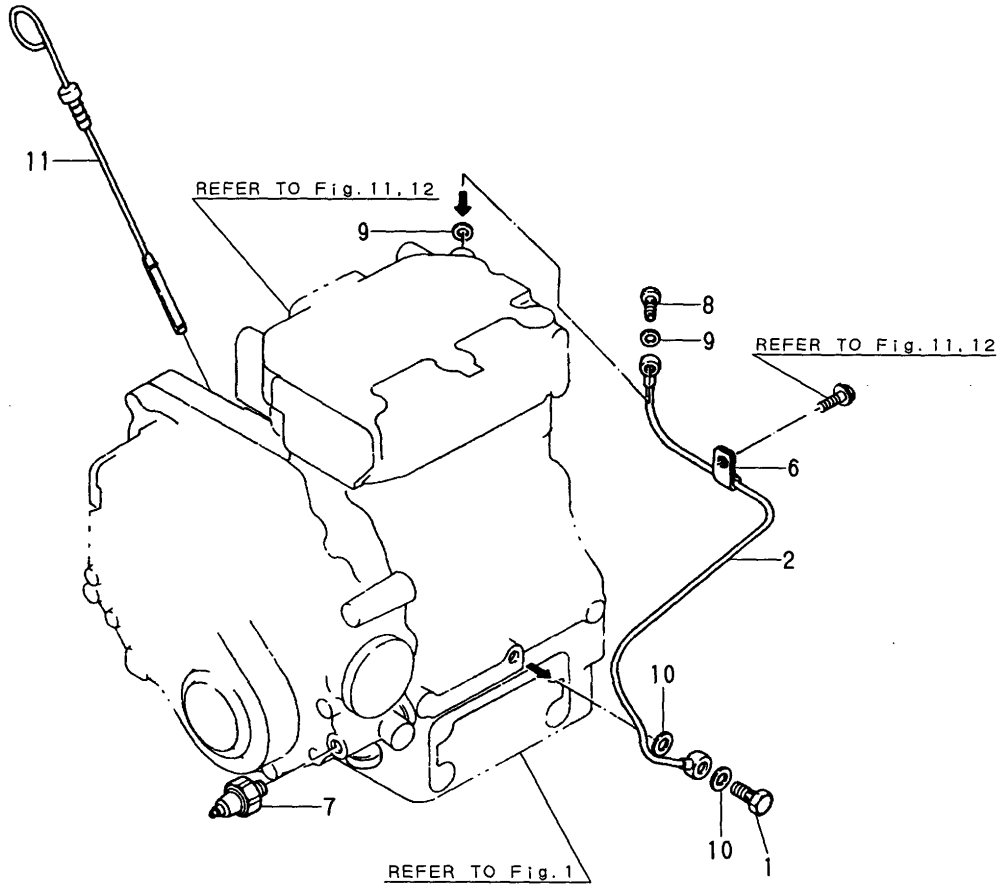
REF.	LEV.	PARTS NO.	DESCRIPTION	QTY						I	R
				(A)	(B)	(C)	(D)	(E)	(F)		
1	1	121450-32021	GASKET, L.O.PUMP	1	1	1	1				
2	1	121575-32090	PUMP ASSY, LUB OIL	1	1	1	1				
4	2	121450-32050	PARALLEL PIN	1	1	1	1				
5	2	121450-32060	PIN 4X8	1	1	1	1				
11	2	121450-32200	GEAR, LUB OIL PUMP	1	1	1	1				
12	1	26013-060222	BOLT M 6X 22	3	3	3	3				
13	1	124450-35070	NUT PF1/4	1	1	1	1				Z
		(A=E/#02827) (B=E/#02971) (C=E/#02829) (D=E/#02893)									
14	1	128270-35090	PIPE, OIL INLET	1	1	1	1				
14-1	1	128277-35090	PIPE, OIL INLET	1	1	1	1				F 1
		(A=E/#02827) (B=E/#02971) (C=E/#02829) (D=E/#02893)									
19	1	121150-35100	FITTINGS	1	1	1	1				
19-1	1	128377-35030	RETAINER	1	1	1	1				S 1
		(A=E/#02827) (B=E/#02971) (C=E/#02829) (D=E/#02893)									
20	1	124085-35300	VALVE ASSY, CONTROL	1	1	1	1				
26	1	124085-35350	LOCK NUT M20	1	1	1	1				
27	1	119660-35150	FILTER, LUB. OIL	1	1	1	1				
27-1	1	119305-35151	FILTER ASSY, LUB.OIL	1	1	1	1				N 2
		(A=E/XXXXX) (B=E/XXXXX) (C=E/XXXXX) (D=E/XXXXX)									
28	2	124450-35110	O-RING, L.O.STRAINER	1	1	1	1				Z
		(A=E/XXXXX) (B=E/XXXXX) (C=E/XXXXX) (D=E/XXXXX)									
29	1	23414-130000	GASKET 13, ROUND	1	1	1	1				W 1
		(A=E/#02827) (B=E/#02971) (C=E/#02829) (D=E/#02893)									

Remarks

- (1)Interchangeable by simultaneous replacement with Ref.No.14-1,19-1 & 29.
- (2)O-ring is integrated type. (integrated to the LO.filter)

Fig.20. LUB.OIL PIPE &LUB.OIL DIPSTICK

Fig.20 潤滑油パイプ&検油棒
LUB.OIL PIPE & LUB.OIL DIPSTICK



OCR10-G47101 20. LUB.OIL PIPE &LUB.OIL DIPSTICK

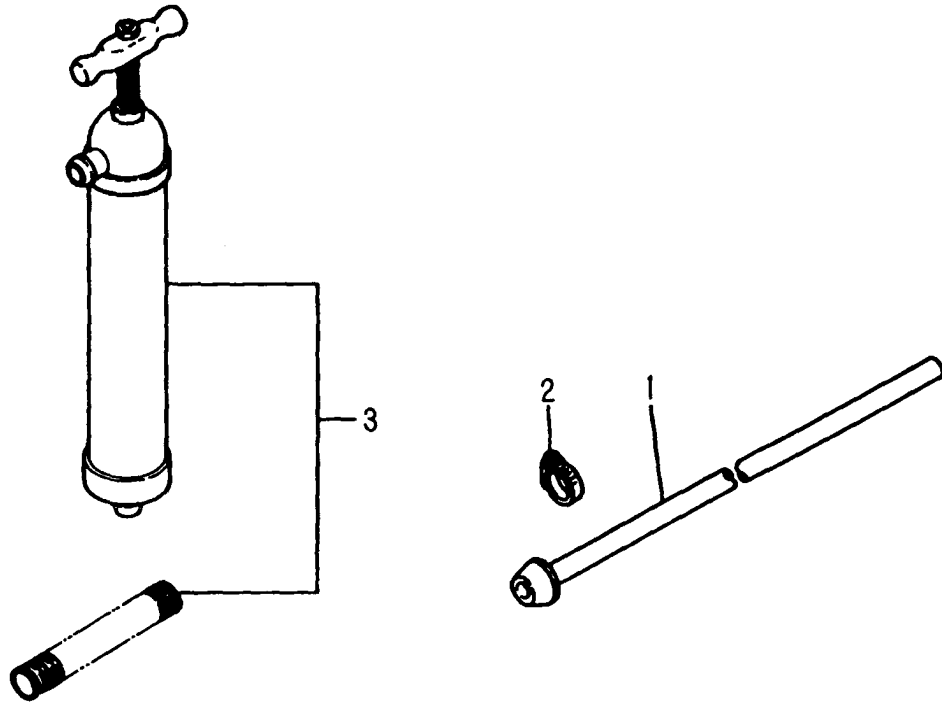
(A)=2GM20-YEU
(B)=2GM20C-YEU
(C)=2GM20F-YEU

(D)=2GM20FC-YEU
(E)=
(F)=

REF.	LEV.	PARTS NO.	DESCRIPTION	QTY						I	R
				(A)	(B)	(C)	(D)	(E)	(F)		
1	1	124160-39140	BOLT 10, PIPE JOINT	1	1	1	1				
2	1	128270-39200	PIPE, LUB OIL	1	1	1	1				
6	1	124450-39240	RETAINER, PIPE	1	1	1	1				
7	1	124060-39451	SENDER, OIL PRESSURE	1	1	1	1				
7-1	1	124060-39452	SENDER,OIL PRESSURE	1	1	1	1				N
		(A=*2000.02)	(B=*2000.02)	(C=*2000.02)	(D=*2000.02)						
8	1	124550-59820	BOLT 8, PIPE JOINT	1	1	1	1				
9	1	23414-080000	GASKET 8, ROUND	2	2	2	2				
10	1	23414-100000	GASKET 10, ROUND	2	2	2	2				
11	1	128270-34800	DIPSTICK, LUB. OIL	1	1	1	1				

Fig.21. LUB.OIL WASTE PUMP(OPTIONAL)

Fig.21 排油ポンプ (オプション)
LUB.OIL WASTE PUMP (OPTIONAL)



OCR10-G47101 21. LUB.OIL WASTE PUMP(OPTIONAL)

(A)=2GM20-YEU
(B)=2GM20C-YEU
(C)=2GM20F-YEU

(D)=2GM20FC-YEU
(E)=
(F)=

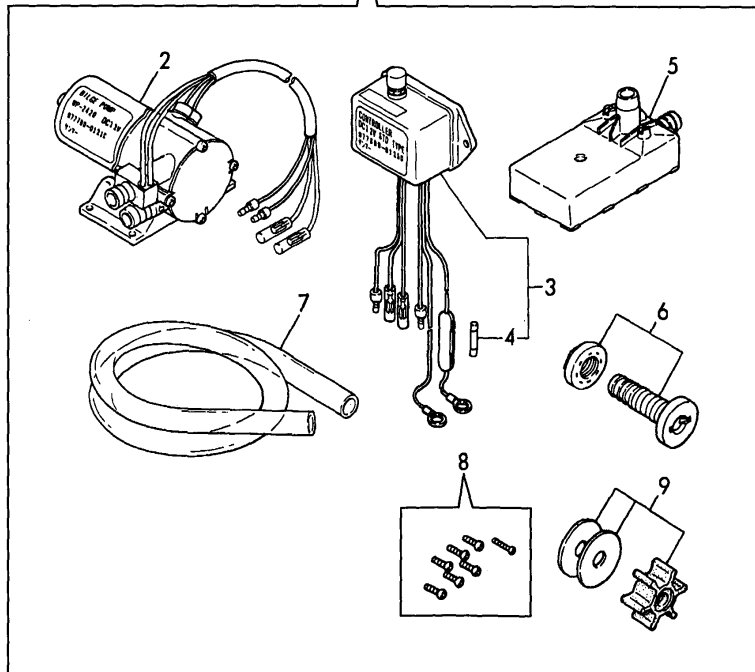
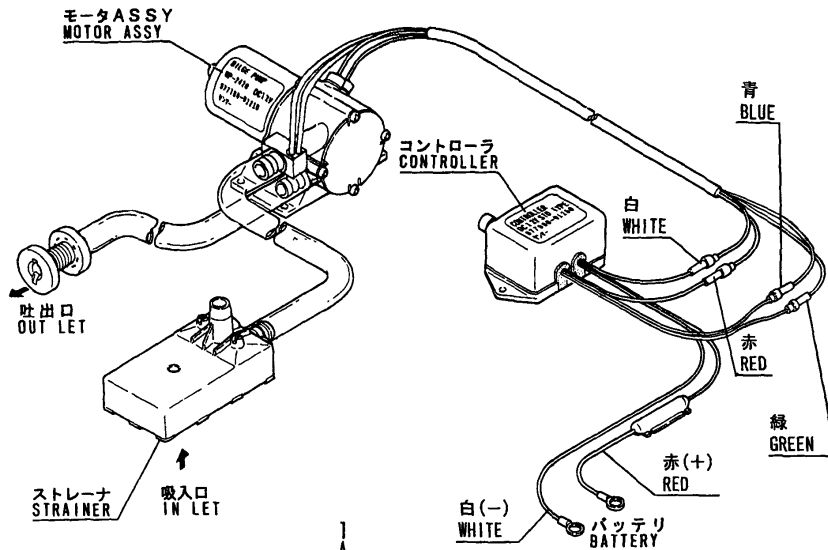
REF.	LEV.	PARTS NO.	DESCRIPTION	Q'TY						I	R
				(A)	(B)	(C)	(D)	(E)	(F)		
1	1	128275-39710	PIPE, LUB OIL	1	1	1	1				
2	1	23080-018000	CLAMP 18	3	3	3	3				
3	1	28210-000080	PUMP	1	1	1	1				

Fig.22. BILGE PUMP(STD,OPTIONAL)

(A)=2GM20-YEU
(B)=2GM20C-YEU
(C)=2GM20F-YEU

(D)=2GM20FC-YEU
(E)=
(F)=

Fig.22 ビルジポンプ (STD, オプション)
BILGE PUMP (STD,OPTIONAL)



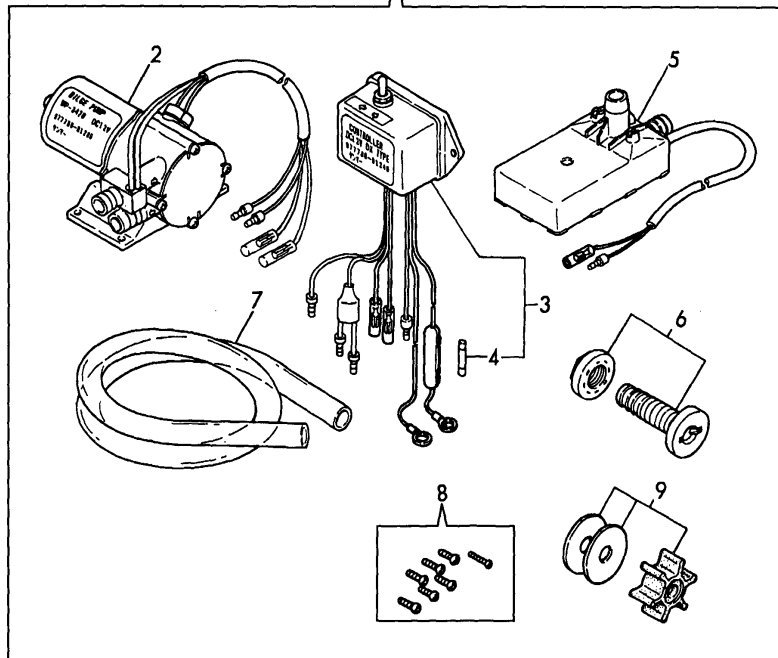
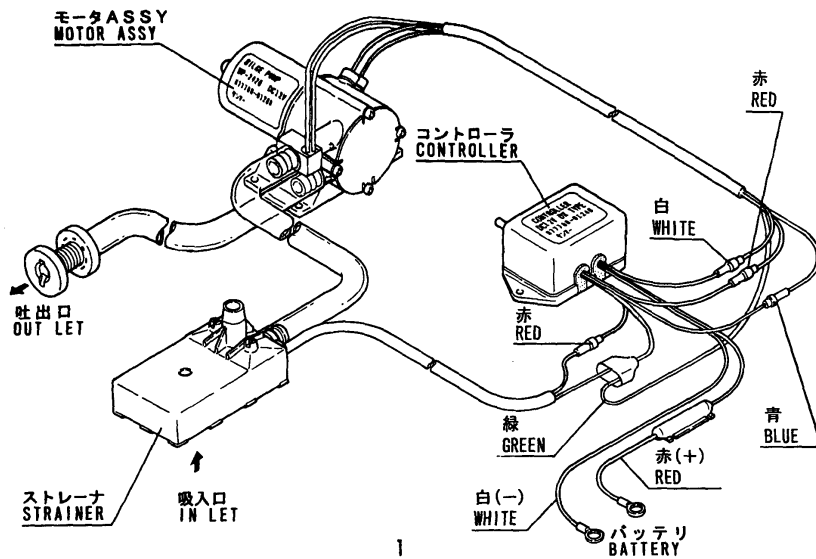
REF.	LEV.	PARTS NO.	DESCRIPTION	QTY						I	R
				(A)	(B)	(C)	(D)	(E)	(F)		
1	1	977780-01210	PUMP(12V).BILGE	1	1	1	1				
2	2	977780-01230	MOTOR ASSY(BILG PUMP	1	1	1	1				
3	2	977780-01250	CONTROLLER	1	1	1	1				
4	3	X8636008003	FUSE	1	1	1	1				
5	2	X179100021X	STRAINER	1	1	1	1				
6	2	X179100100X	PIPE ASSY	1	1	1	1				
7	2	X0044021509	HOSE A	1	1	1	1				
8	2	X199903800X	SCREW KIT	1	1	1	1				
9	2	977780-03000	INPELLER	1	1	1	1				

Fig.23. BILGE PUMP(DX,OPTIONAL)

(A)=2GM20-YEU
(B)=2GM20C-YEU
(C)=2GM20F-YEU

(D)=2GM20FC-YEU
(E)=
(F)=

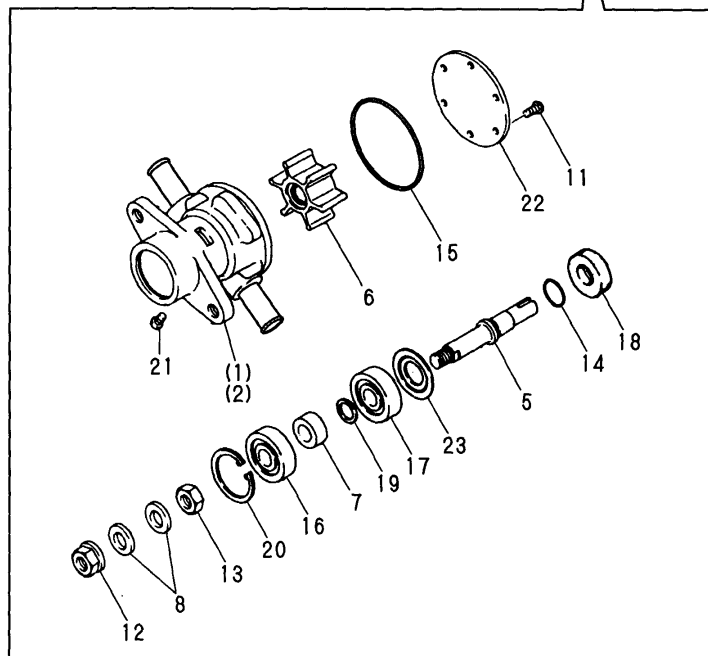
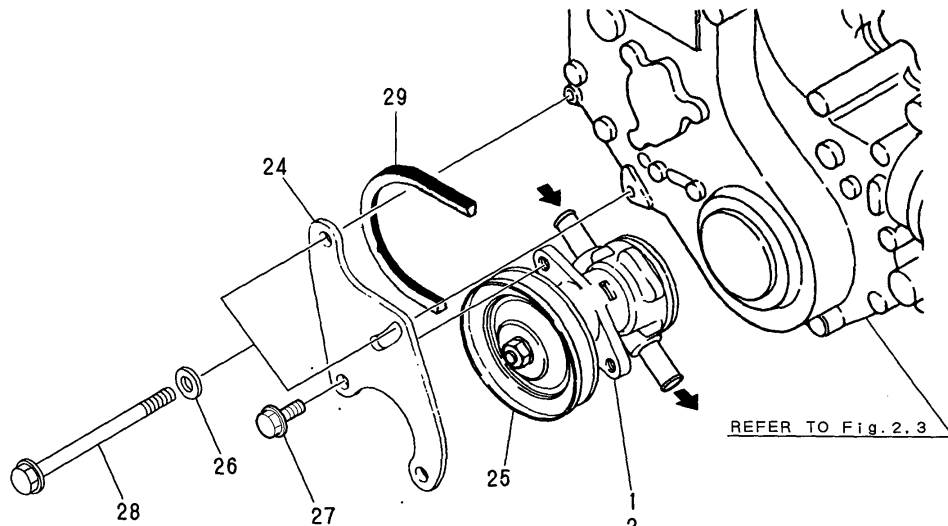
Fig. 23 ビルジポンプ (DX, オプション)
BILGE PUMP (DX, OPTIONAL)



REF.	LEV.	PARTS NO.	DESCRIPTION	QTY						I	R
				(A)	(B)	(C)	(D)	(E)	(F)		
1	1	977780-01200	PUMP(12V).BILGE	1	1	1	1				
2	2	977780-01230	MOTOR ASSY(BILG PUMP	1	1	1	1				
3	2	977780-01240	CONTROLLER	1	1	1	1				
4	3	X8636008003	FUSE	1	1	1	1				
5	2	X179100011X	STRAINER	1	1	1	1				
6	2	X179100100X	PIPE ASSY	1	1	1	1				
7	2	X0044021509	HOSE A	1	1	1	1				
8	2	X199903800X	SCREW KIT	1	1	1	1				
9	2	977780-03000	INPELLER	1	1	1	1				

Fig.24. COOLING SEA WATER PUMP

Fig.24 冷却水ポンプ (海水)
COOLING SEA WATER PUMP



OCR10-G47101 24. COOLING SEA WATER PUMP

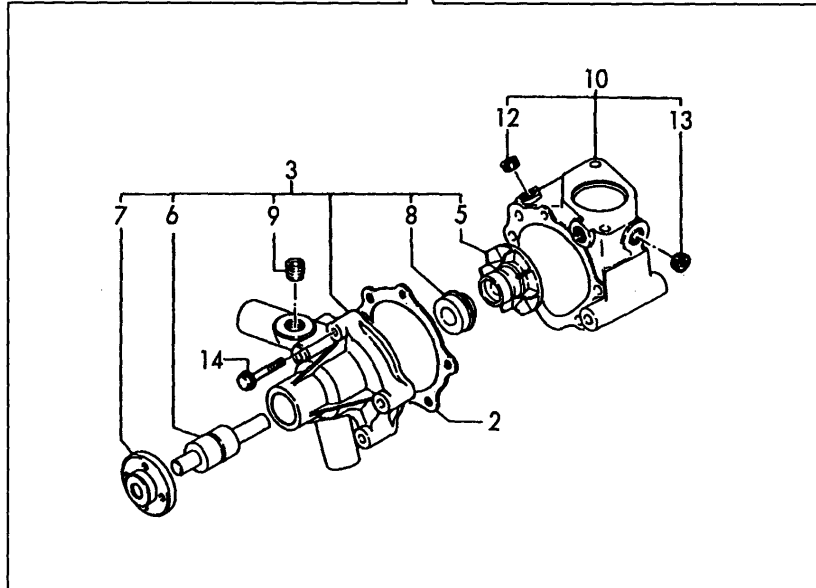
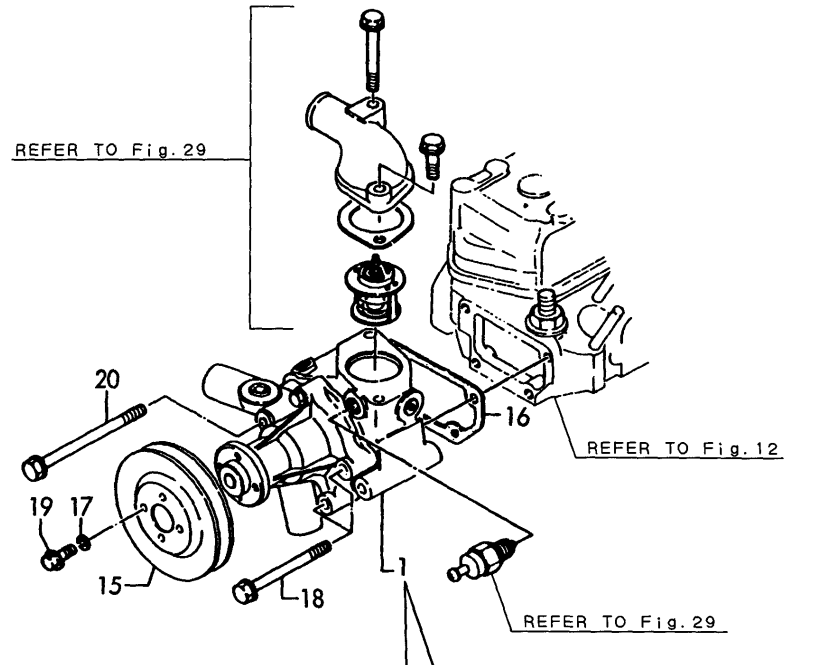
(A)=2GM20-YEU
(B)=2GM20C-YEU
(C)=2GM20F-YEU

(D)=2GM20FC-YEU
(E)=
(F)=

REF.	LEV.	PARTS NO.	DESCRIPTION	Q'TY						I	R
				(A)	(B)	(C)	(D)	(E)	(F)		
1	1	128377-42500	PUMP ASSY, C. WATER	1	1						
2	1	128397-42500	PUMP ASSY, C. WATER				1	1			
5	2	X0146541	SHAFT, FAN	1	1	1	1				
6	2	X08810B	IMPELLER, C. WATER	1	1	1	1				
7	2	X0146496	SPACER	1	1	1	1				
7-1	2	X0146542	SPACER	1	1	1	1				N
		(A=#02275) (B=#02278) (C=#02274) (D=#02292)									
8	2	X0501133	WASHER	2	2	2	2				
11	2	X0504163	SCREW	6	6	6	6				
11-1	2	128377-42520	SCREW	6	6	6	6				R
		(A=FROM 1ST) (B=FROM 1ST) (C=FROM 1ST) (D=FROM 1ST)									
12	2	X0505527	LOCK NUT	1	1	1	1				
13	2	X0505528	NUT	1	1	1	1				
14	2	X0506513	O-RING	1	1	1	1				
15	2	X0506523	O-RING	1	1	1	1				
15-1	2	X0506597	O-RING	1	1	1	1				N
		(A=#02275) (B=#02278) (C=#02274) (D=#02292)									
16	2	X0508124	BALL BEARING	1	1	1	1				
17	2	X0508130	BALL BEARING	1	1	1	1				
18	2	X0529139	LIP SEAL	1	1	1	1				
19	2	X0534501	RETAINING RING	1	1	1	1				
20	2	X0534511	RETAINING RING	1	1	1	1				
21	2	X0504124	SCREW	1	1	1	1				
22	2	X0142398	COVER	1	1	1	1				
23	2	X0145050	PLATE	1	1	1	1				
24	1	128377-42150	BRACKET, C.W. PUMP	1	1	1	1				
25	1	124070-42400	V-PULLEY, C.W. PUMP	1	1	1	1				
26	1	22137-080000	WASHER 8, POLISHED	2	2	2	2				
27	1	26106-080122	BOLT M 8X 12 PLATED	2	2	2	2				
28	1	26106-081202	BOLT M 8X120 PLATED	2	2	2	2				
29	1	104511-78780	V-BELT	1	1	1	1				

Fig.25. COOLING FRESH WATER PUMP

Fig.25 冷却水ポンプ (清水)
COOLING FRESH WATER PUMP

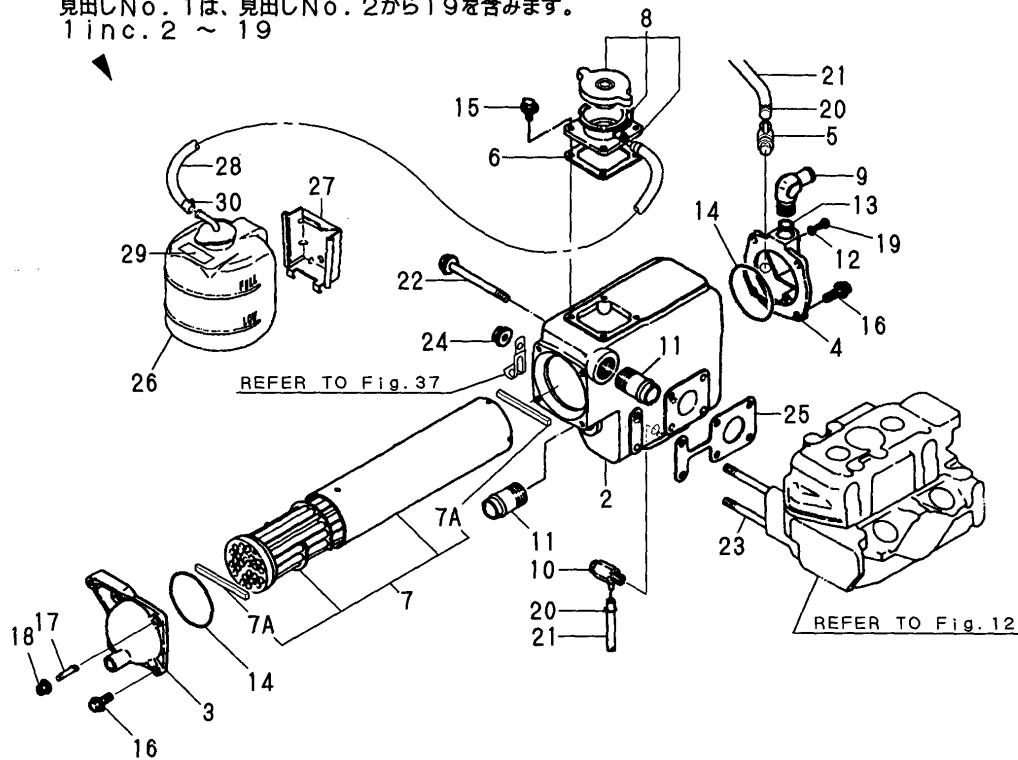


OCR10-G47101 25. COOLING FRESH WATER PUMP

(A)=2GM20-YEU (D)=2GM20FC-YEU
(B)=2GM20C-YEU (E)=
(C)=2GM20F-YEU (F)=

REF.	LEV.	PARTS NO.	DESCRIPTION	QTY						I	R	
				(A)	(B)	(C)	(D)	(E)	(F)			
1	1	128695-42010	PUMP ASSY, C.F.W.			1	1					
2	2	121000-42051	GASKET, C.W.PUMP			1	1					
3	2	121000-42100	BODY ASSY, C.W.PUMP			1	1					
5	3	129350-42200	IMPELLER			1	1					
6	3	121450-42240	SHAFT, IMPELLER			1	1					
7	3	121450-42260	FLANGE, V-PULLEY			1	1					
8	3	121450-42310	SEAL, MECHANICAL			1	1					
9	3	23871-030000	PLUG PT3/8,SCREW			1	1					
9-1	3	23876-030000	PLUG PT3/8,SCREW			1	1					R
			(C=*1999.06) (D=*1999.06)									
10	2	728695-43500	BRACKET ASSY, PUMP			1	1					
12	3	23871-020000	PLUG PT1/4,SCREW			1	1					
12-1	3	23876-020000	PLUG 1/4			1	1					R
			(C=*1999.06) (D=*1999.06)									
13	3	23871-030000	PLUG PT3/8,SCREW			1	1					
13-1	3	23876-030000	PLUG PT3/8,SCREW			1	1					R
			(C=*1999.06) (D=*1999.06)									
14	2	26106-060322	BOLT M 6X 32 PLATED			1	1					
15	1	128695-42350	V-PULLEY			1	1					
16	1	121450-44410	GASKET, BRACKET			1	1					
17	1	22217-060000	SPRING WASHER 6			4	4					
18	1	26106-080902	BOLT M 8X 90 PLATED			3	3					
19	1	26106-060102	BOLT M 6X 10 PLATED			4	4					
20	1	26106-081102	BOLT M 8X110 PLATED			1	1					

Fig.26. COOLING FRESH WATER COOLER

Fig.26 清水クーラ
COOLING FRESH WATER COOLER見出しNo. 1は、見出しNo. 2から19を含みます。
1 inc. 2 ~ 19

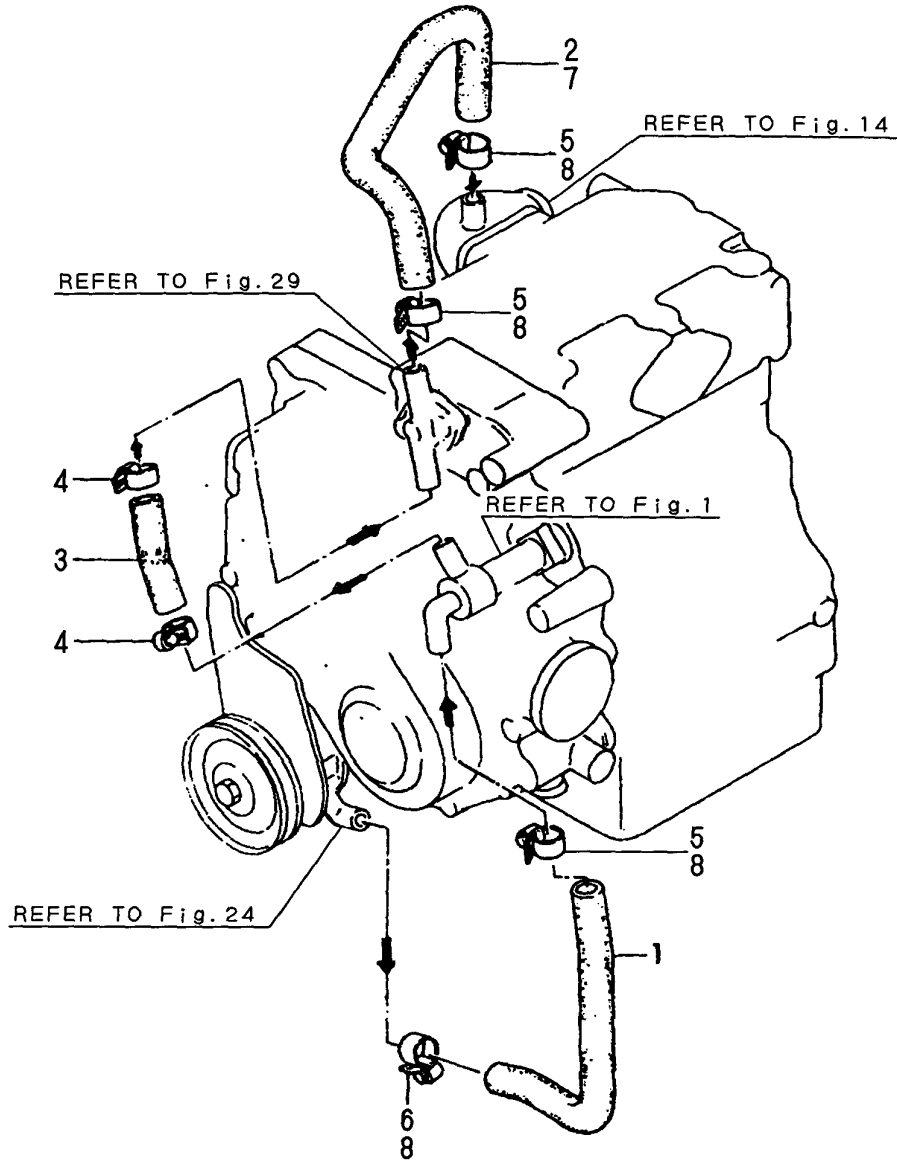
OCR10-G47101 26. COOLING FRESH WATER COOLER

(A)=2GM20-YEU
(B)=2GM20C-YEU
(C)=2GM20F-YEU(D)=2GM20FC-YEU
(E)=
(F)=

REF.	LEV.	PARTS NO.	DESCRIPTION	QTY						I	R
				(A)	(B)	(C)	(D)	(E)	(F)		
1	1	128297-44900	C.F.W COOLER ASSY			1	1				
2	2	128297-44010	BODY, C.F.W COOLER			1	1				
3	2	128297-44050	COVER, SIDE A			1	1				
4	2	128397-44060	COVER, OUTLET			1	1				
5	2	128695-44090	COCK PT1/8			1	1				
5-1	2	129670-49290	COCK R1/8 ASSY			1	1				R
			(C=*2000.03) (D=*2000.03)								
6	2	123682-44201	GASKET, (NON-ASB.)			1	1				
7	2	128297-44400	CORE ASSY			1	1				
7A	3	128297-44490	SEALING			2	2				W
			(C=FROM 1ST) (D=FROM 1ST)								
8	2	128397-44600	FILLER W/BALL			1	1				
9	2	128690-49310	ELBOW			1	1				
9-1	2	128397-49310	ELBOW			1	1				R
			(C=E/#02829) (D=E/#02893)								
10	2	120130-49350	COCK 1/4			1	1				
10-1	2	119620-49290	COCK ASSY 1/4			1	1				N
			(C=*2000.04) (D=*2000.04)								
11	2	124160-49480	JOINT, PIPE			2	2				
12	2	23414-050000	GASKET 5			1	1				
13	2	24311-000160	O-RING 1A P-16.0			1	1				
14	2	24311-000700	O-RING 1A P-70.0			2	2				
15	2	26106-060142	BOLT M 6X 14 PLATED			4	4				
16	2	26106-060182	BOLT M 6X 18 PLATED			7	7				
17	2	26216-060182	STUD M 6X 18 PLATED			1	1				
18	2	26366-060002	NUT M 6			1	1				
19	2	26554-050102	SCREW M 5X 10			1	1				
19-1	2	128297-49320	SCREW-PAN+-			1	1				N
			(C=E/#03149) (D=E/#03157)								
20	1	124460-77680	RETAINER			2	2				
21	1	23061-070300	PIPE 7X 300			2	2				
22	1	26106-080852	BOLT M 8X 85 PLATED			4	4				
23	1	26216-080852	STUD M 8X 85 PLATED			2	2				
24	1	26366-080002	NUT M 8			2	2				
25	1	128290-13251	GASKET, (NON-ASB.)			1	1				
26	1	128397-44500	TANK ASSY, RESERVE			1	1				
27	1	128397-44510	BRACKET, SUB-TANK			1	1				
28	1	124790-44560	PIPE, C. WATER			1	1				
29	1	129670-44570	LABEL			1	1				
30	1	23010-013000	CLAMP 13			2	2				

Fig.27. C.S.W.PIPE(2GM20,C-YEU)

Fig.27 冷却水パイプ (海水, 2GM20/C-YEU)
C. S. W. PIPE (2GM20/C-YEU)



(A)=2GM20-YEU
(B)=2GM20C-YEU
(C)=2GM20F-YEU

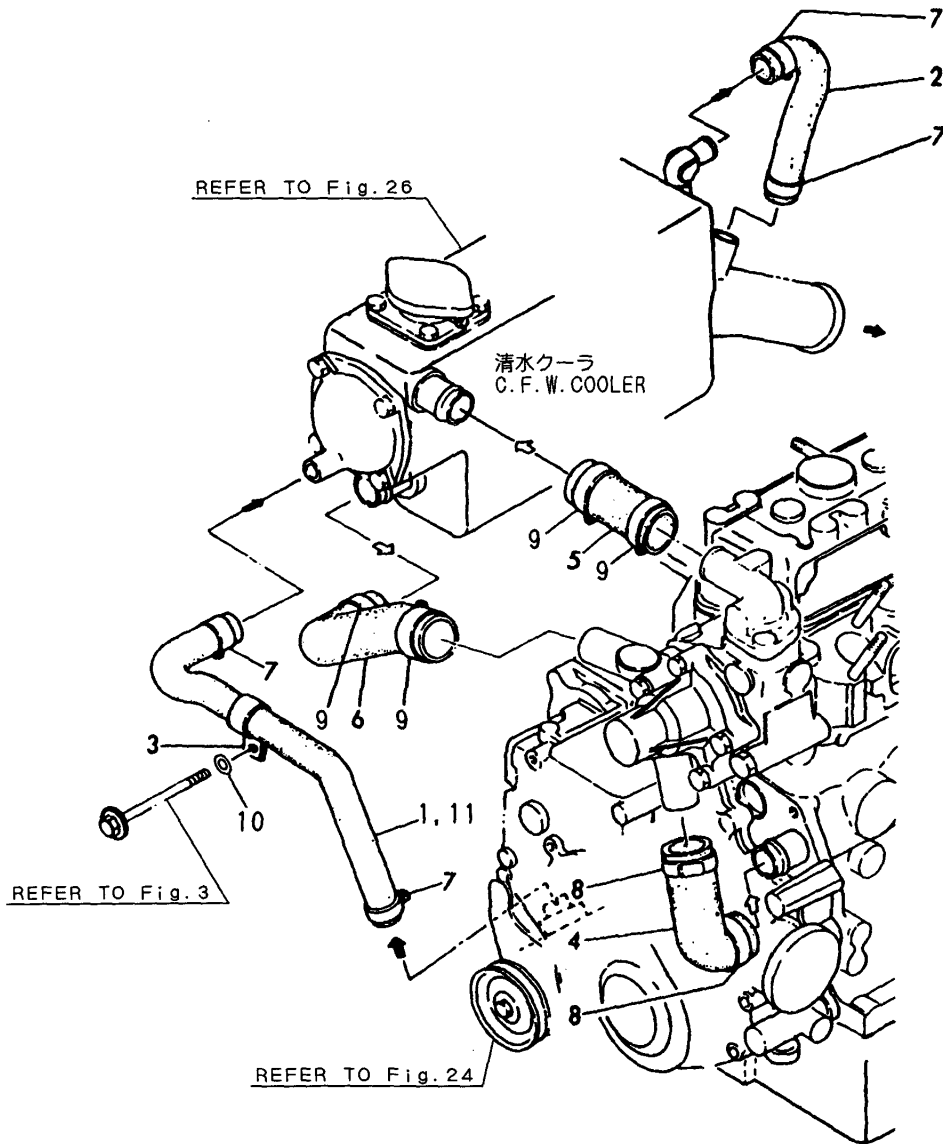
(D)=2GM20FC-YEU
(E)=
(F)=

REF.	LEV.	PARTS NO.	DESCRIPTION	Q'TY						I	R	
				(A)	(B)	(C)	(D)	(E)	(F)			
1	1	128377-49010	PIPE, COOLING WATER	1	1							
2	1	128370-49020	PIPE, COOLING WATER	1	1							
3	1	128270-49050	PIPE, COOLING WATER	1	1							
4	1	23000-022000	CLAMP 22	2	2							
5	1	23000-022000	CLAMP 22	3	3							
6	1	23000-025000	CLAMP 25	1	1							
7	1	128270-49020	PIPE, COOLING WATER	1	1						1	
8	1	23000-022000	CLAMP 22	4	4						1	

Remarks
(1)OPTIONAL

Fig.28. C.F.W.PIPE(2GM20F,FC-YEU)

Fig.28 冷却水パイプ (清水, 2GM20F/FC-YEU)
C. F. W. PIPE (2GM20F/FC-YEU)



(A)=2GM20-YEU
(B)=2GM20C-YEU
(C)=2GM20F-YEU

(D)=2GM20FC-YEU
(E)=
(F)=

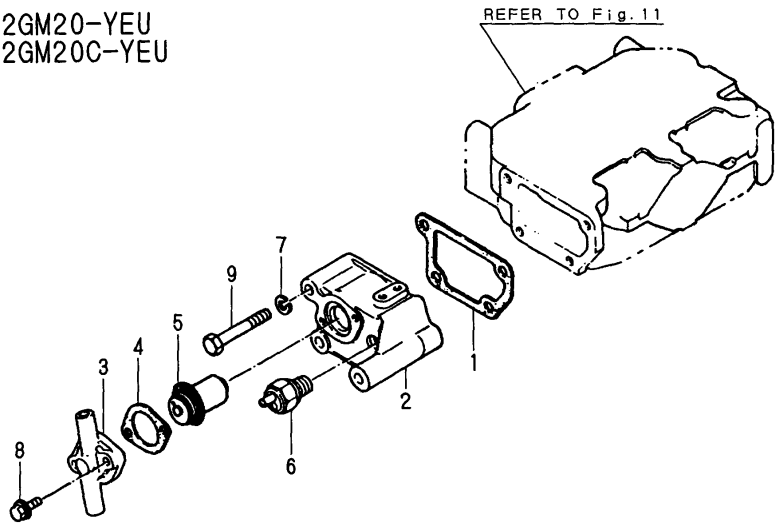
REF.	LEV.	PARTS NO.	DESCRIPTION	QTY						I	R	
				(A)	(B)	(C)	(D)	(E)	(F)			
1	1	128690-49010	PIPE (B), C. WATER			1	1					
2	1	124770-49040	PIPE, COOLING WATER			1	1					
3	1	121575-49310	CLAMP			1	1					
4	1	128290-49510	PIPE, COOLING WATER			1	1					
5	1	128695-49520	PIPE (E), C. WATER			1	1					
6	1	128695-49530	PIPE (F), C. WATER			1	1					
7	1	23000-025000	CLAMP 25			4	4					
8	1	23000-041000	CLAMP 41			2	2					
9	1	23000-041000	CLAMP 41			4	4					
10	1	22137-060000	WASHER 6, POLISHED			1	1					
11	1	128291-49020	PIPE B			1	1					1

Remarks
(1)V TYPE SPEC.

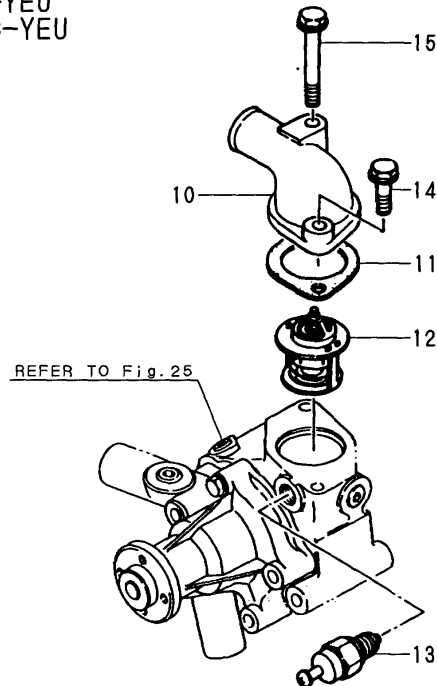
Fig.29. THERMOSTAT

Fig. 29 サーモスタット
THERMOSTAT

2GM20-YEU
2GM20C-YEU



2GM20F-YEU
2GM20FC-YEU



(A)=2GM20-YEU
(B)=2GM20C-YEU
(C)=2GM20F-YEU

(D)=2GM20FC-YEU
(E)=
(F)=

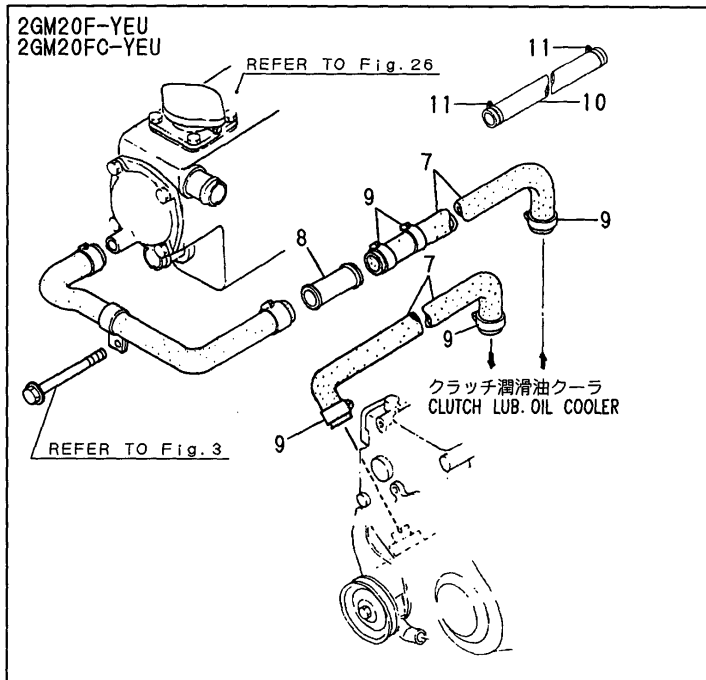
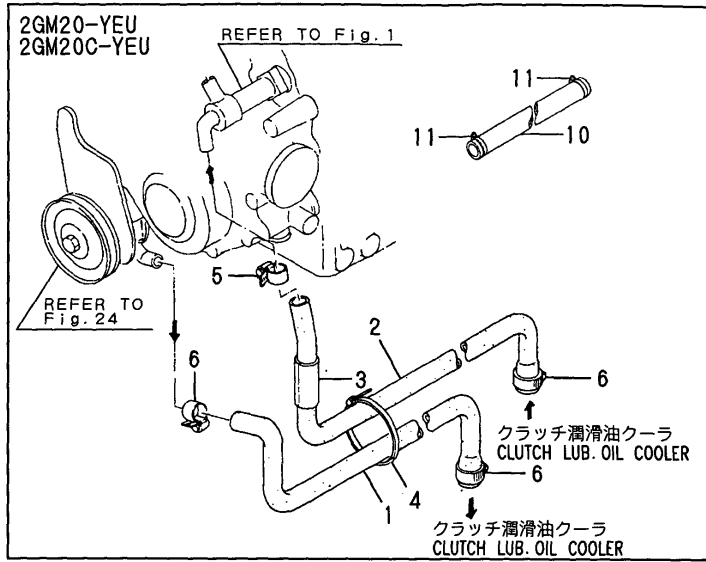
REF.	LEV.	PARTS NO.	DESCRIPTION	Q'TY						I	R
				(A)	(B)	(C)	(D)	(E)	(F)		
1	1	121450-44410	GASKET, BRACKET	1	1						
2	1	128270-49100	BRACKET, THERMOSTAT	1	1						
3	1	128170-49150	COVER, THERMOSTAT	1	1						
4	1	104211-49160	PACKING	1	1						
5	1	105582-49200	THERMOSTAT	1	1						
6	1	128275-91340	SWITCH, THERMO(65C	1	1						
7	1	22217-080000	SPRING WASHER 8	4	4						
8	1	26106-060182	BOLT M 6X 18 PLATED	2	2						
9	1	26116-080602	BOLT M 8X 60 PLATED	4	4						
10	1	124101-49530	COVER, THERMOSTAT			1	1				
11	1	124736-49540	GASKET, THERMO.			1	1				
12	1	121750-49800	THERMOSTAT			1	1				
13	1	127610-91350	SWITCH, THERMO			1	1				
14	1	26106-080302	BOLT M 8X 30 PLATED			1	1				
15	1	26106-080652	BOLT M 8X 65 PLATED			1	1				

Fig.30. C.S.W.PIPE(OPTIONAL)

(A)=2GM20-YEU
(B)=2GM20C-YEU
(C)=2GM20F-YEU

(D)=2GM20FC-YEU
(E)=
(F)=

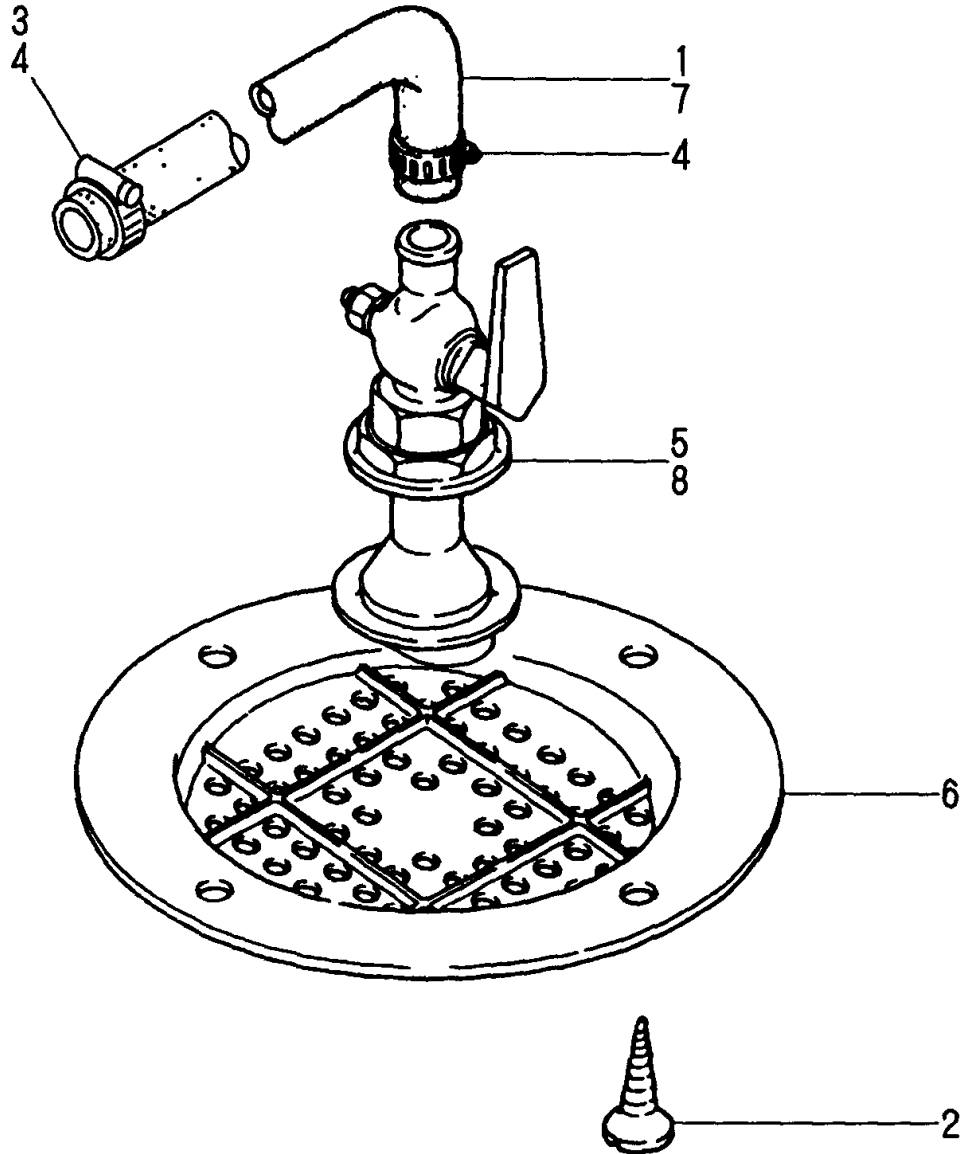
Fig.30 冷却水パイプ (海水, オプション)
C. S. W. PIPE (OPTIONAL)



REF.	LEV.	PARTS NO.	DESCRIPTION	QTY						I	R
				(A)	(B)	(C)	(D)	(E)	(F)		
1	1	124223-49050	PIPE, COOLING WATER	1	1						
2	1	128170-49081	PIPE, COOLING WATER	1	1						
3	1	128271-49450	PROTECTOR	1	1						
4	1	121750-59890	CLAMP 140	1	1						
5	1	23000-022000	CLAMP 22	1	1						
6	1	23000-025000	CLAMP 25	3	3						
7	1	124223-49050	PIPE, COOLING WATER				2	2			
8	1	128291-49250	JOINT				1	1			
9	1	23000-025000	CLAMP 25				5	5			
10	1	124223-49050	PIPE, COOLING WATER	1	1	1	1				
11	1	23000-025000	CLAMP 25	2	2	2	2				

Fig.31. KINGSTON COCK(OPTIONAL)

Fig. **31** キングストンコック (オプション)
KINGSTON COCK (OPTIONAL)



OCR10-G47101 31. KINGSTON COCK(OPTIONAL)

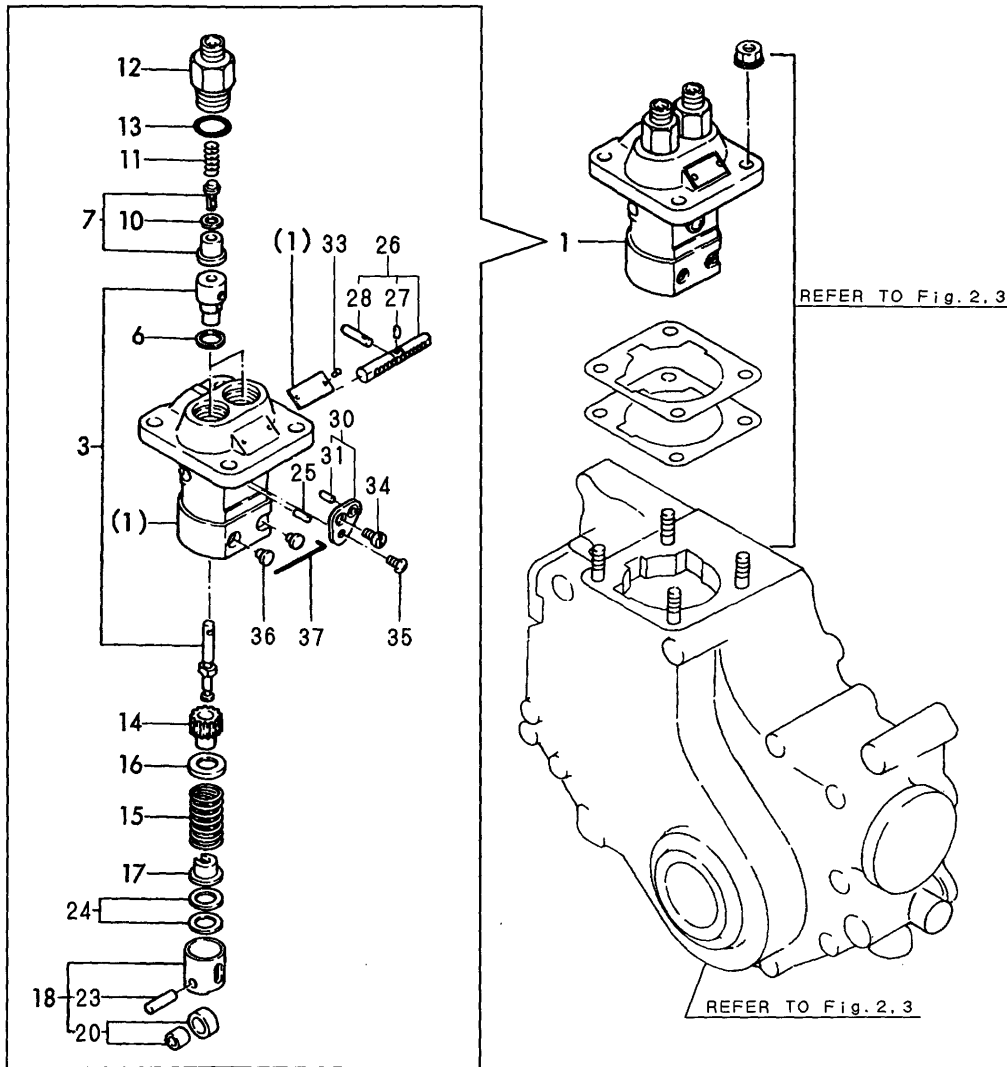
(A)=2GM20-YEU
(B)=2GM20C-YEU
(C)=2GM20F-YEU

(D)=2GM20FC-YEU
(E)=
(F)=

REF.	LEV.	PARTS NO.	DESCRIPTION	Q'TY						I	R
				(A)	(B)	(C)	(D)	(E)	(F)		
1	1	128377-49080	PIPE, COOLING WATER	1	1						
2	1	22724-800380	SCREW 8X 38	4	4	4	4				
3	1	23000-022000	CLAMP 22	1	1						
4	1	23000-025000	CLAMP 25	1	1	2	2				
5	1	43662-010030	COCK ASSY, SEA WATER	1	1						
6	1	43666-020951	COVER, STRAINER	1	1	1	1				
7	1	124223-49050	PIPE, COOLING WATER				1	1			
8	1	43662-015020	COCK ASSY, SEA WATER				1	1			

Fig.32. FUEL INJECTION PUMP

Fig.32 燃料噴射ポンプ FUEL INJECTION PUMP



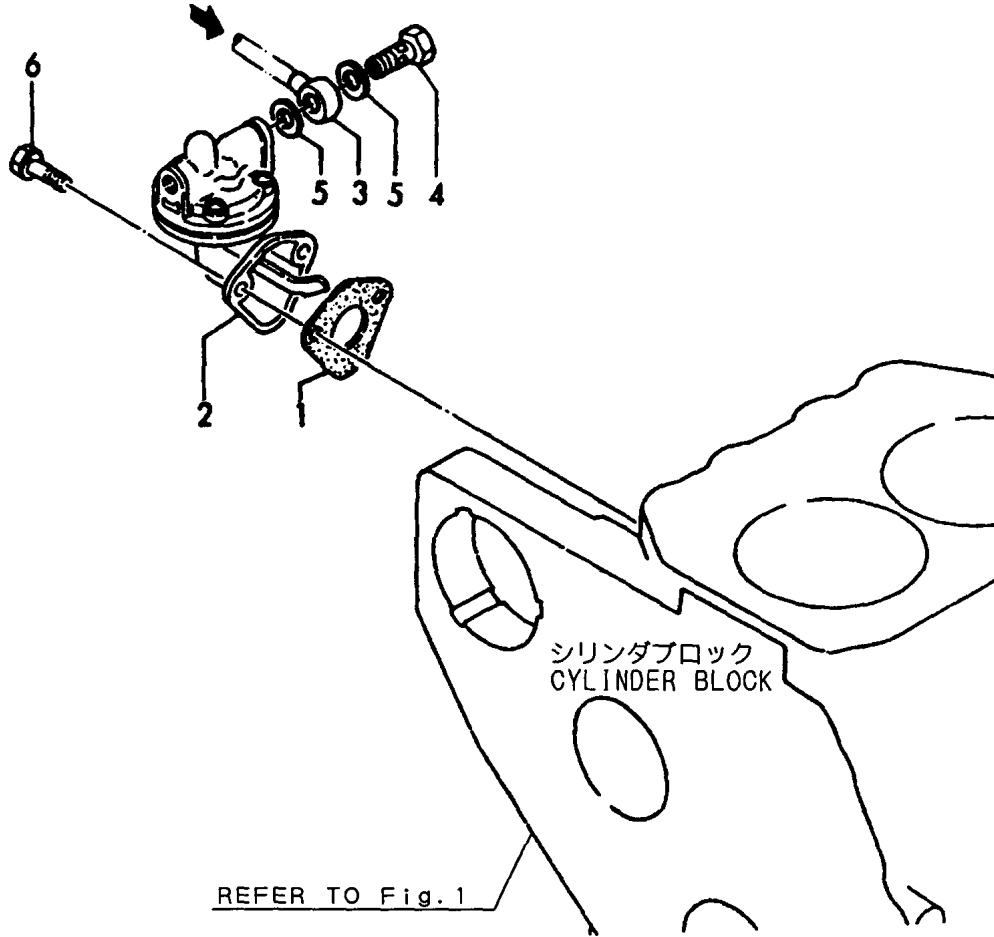
(A)=2GM20-YEU
(B)=2GM20C-YEU
(C)=2GM20F-YEU

(D)=2GM20FC-YEU
(E)=
(F)=

REF.	LEV.	PARTS NO.	DESCRIPTION	QTY						I	R
				(A)	(B)	(C)	(D)	(E)	(F)		
1	1	728271-51101	PUMP ASSY. F.INJECT.	1	1	1	1				
3	2	128170-51101	PLUNGER W/BARREL	2	2	2	2				
6	2	124950-51270	GASKET	2	2	2	2				
7	2	105500-51300	VALVE W/SEAT, DELIV.	2	2	2	2				
10	2	124550-51350	GASKET, DELIVERY	2	2	2	2				
11	2	124550-51320	SPRING, DELIV. VALVE	2	2	2	2				
12	2	124550-51341	RETAINER	2	2	2	2				
13	2	124550-51370	O-RING, DELIVERY	2	2	2	2				
14	2	124950-51510	PINION	2	2	2	2				
15	2	124950-51190	SPRING, PLUNGER	2	2	2	2				
16	2	174307-51170	RETAINER A	2	2	2	2				
17	2	174307-51181	RETAINER B	2	2	2	2				
18	2	724550-51520	GUIDE, PLUNGER	2	2	2	2				
20	3	711100-51540	ROLLER ASSY	2	2	2	2				
23	3	174100-54120	PIN, ROLLER	2	2	2	2				
24	2	174307-51700	SHIM SET	2	2	2	2				
25	2	103854-51251	PIN, PLUNGER	1	1	1	1				
26	2	124085-51500	RACK, CONTROL	1	1	1	1				
27	3	121450-51550	PIN	1	1	1	1				
28	3	124550-51590	LOCKER	1	1	1	1				
30	2	124950-51640	SHIM SET, CONTROL	1	1	1	1				
31	3	124950-51670	PIN	1	1	1	1				
33	2	124220-51890	RIVET, LABEL	2	2	2	2				
34	2	103854-51660	SCREW	1	1	1	1				
35	2	26033-050102	SCREW M 5X 10	1	1	1	1				
36	2	124950-51450	PIECE, GUIDE	2	2	2	2				
37	2	174307-51460	PIN	1	1	1	1				

Fig.33. FUEL FEED PUMP

Fig. **33** 燃料フィードポンプ
FUEL FEED PUMP



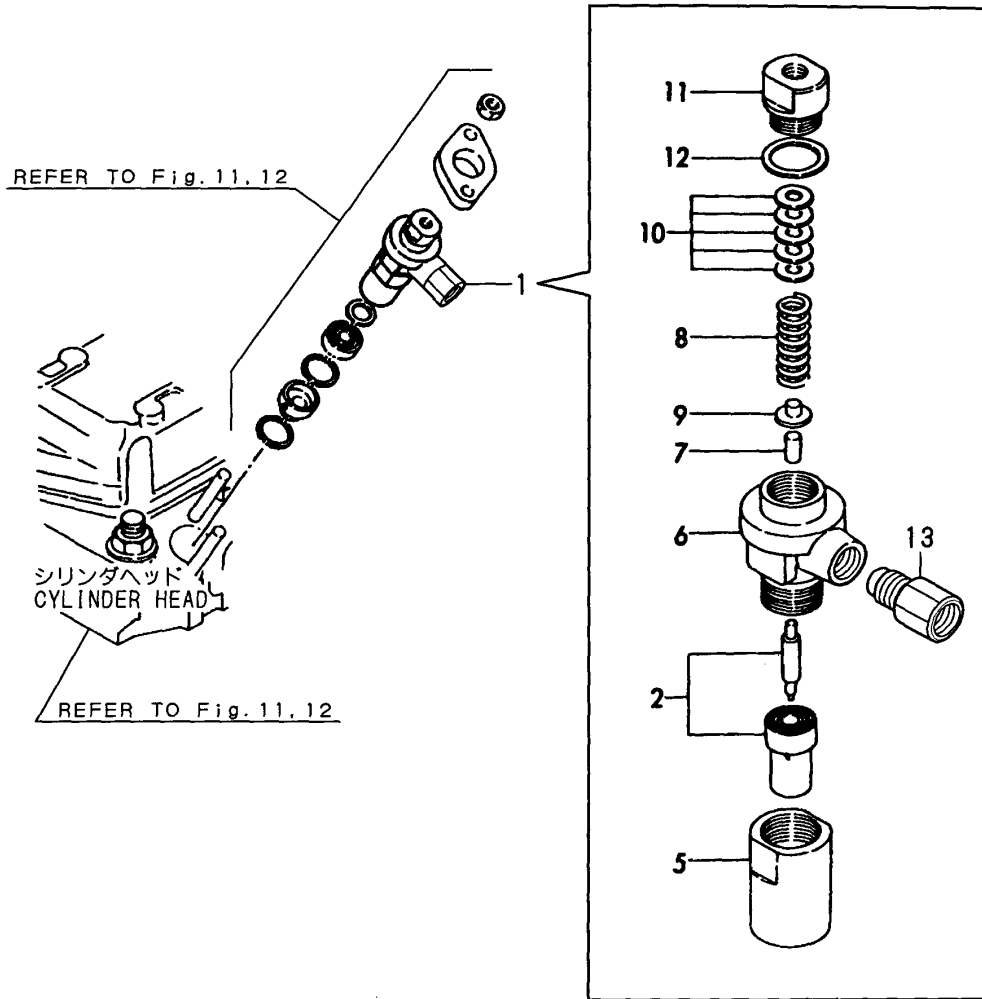
(A)=2GM20-YEU
(B)=2GM20C-YEU
(C)=2GM20F-YEU

(D)=2GM20FC-YEU
(E)=
(F)=

REF.	LEV.	PARTS NO.	DESCRIPTION	Q'TY						I	R
				(A)	(B)	(C)	(D)	(E)	(F)		
1	1	121520-01851	GASKET, (NON-ASB.)	1	1	1	1				
2	1	129301-52020	PUMP ASSY, FUEL FEED	1	1	1	1				
3	1	104264-59030	JOINT 8, PIPE	1	1	1	1				
4	1	105582-59150	BOLT, PIPE JOINT	1	1	1	1				
5	1	23414-080000	GASKET 8, ROUND	2	2	2	2				
6	1	26013-060162	BOLT M 6X 16	2	2	2	2				

Fig.34. FUEL INJECTION VALVE

Fig.34 燃料噴射弁
FUEL INJECTION VALVE



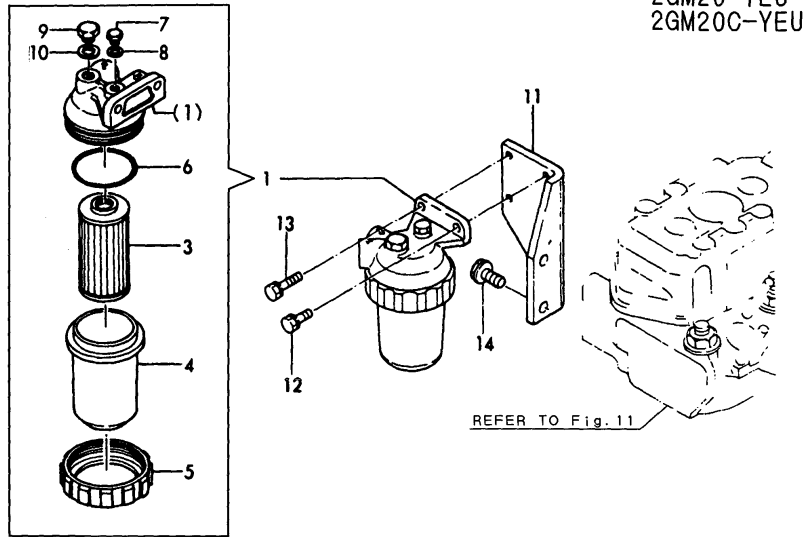
(A)=2GM20-YEU
(B)=2GM20C-YEU
(C)=2GM20F-YEU

(D)=2GM20FC-YEU
(E)=
(F)=

REF.	LEV.	PARTS NO.	DESCRIPTION	QTY						I	R
				(A)	(B)	(C)	(D)	(E)	(F)		
1	1	728277-53100	VALVE ASSY, F.INJECT	2	2	2	2				
2	2	124770-53000	NOZZLE ASSY,F.INJECT	2	2	2	2				
5	2	128170-53080	HOLDER, VALVE W/CASE	2	2	2	2				
6	2	103854-53100	BODY, F.I. VALVE	2	2	2	2				
7	2	113200-53110	SPINDLE, INTER	2	2	2	2				
8	2	104211-53120	SPRING, NOZZLE	2	2	2	2				
9	2	113200-53120	SHOE, SPRING	2	2	2	2				
10	2	110250-53150	SHIM SET	2	2	2	2				
11	2	103854-53180	RETAINER, NOZ.SPRING	2	2	2	2				
12	2	172100-53200	GASKET	2	2	2	2				
13	2	128277-53300	JOINT CMP	2	2	2	2				

Fig.35. FUEL STRAINER

Fig. 35 燃料フィルタ FUEL STRAINER



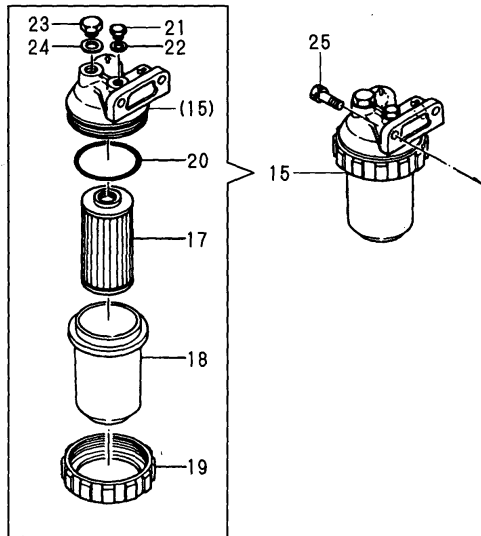
2GM20-YEU
2GM20C-YEU

(A)=2GM20-YEU
(B)=2GM20C-YEU
(C)=2GM20F-YEU

(D)=2GM20FC-YEU
(E)=
(F)=

REF.	LEV.	PARTS NO.	DESCRIPTION	QTY						I	R
				(A)	(B)	(C)	(D)	(E)	(F)		
1	1	124790-55601	STRAINER ASSY, FUEL	1	1						1
3	2	104500-55710	ELEMENT, FUEL	1	1						
4	2	121370-55730	CUP, STRAINER	1	1						
5	2	110250-55610	RING, RETAINING	1	1						
6	2	24341-000440	O-RING 1A S-44.0	1	1						
7	2	101720-55750	PLUG 6	1	1						
8	2	23418-060000	GASKET 6, NYLON	1	1						
9	2	135210-51900	PLUG	1	1						
10	2	23414-080012	GASKET 8	1	1						
11	1	128270-55610	BRACKET, STRAINER	1	1						
12	1	26013-060162	BOLT M 6X 16	1	1						
13	1	26013-060252	BOLT M 6X 25	1	1						
14	1	26106-080162	BOLT M 8X 16 PLATED	2	2						
15	1	124790-55601	STRAINER ASSY, FUEL			1	1				1
17	2	104500-55710	ELEMENT, FUEL			1	1				
18	2	121370-55730	CUP, STRAINER			1	1				
19	2	110250-55610	RING, RETAINING			1	1				
20	2	24341-000440	O-RING 1A S-44.0			1	1				
21	2	101720-55750	PLUG 6			1	1				
22	2	23418-060000	GASKET 6, NYLON			1	1				
23	2	135210-51900	PLUG			1	1				
24	2	23414-080012	GASKET 8			1	1				
25	1	26013-060162	BOLT M 6X 16			2	2				

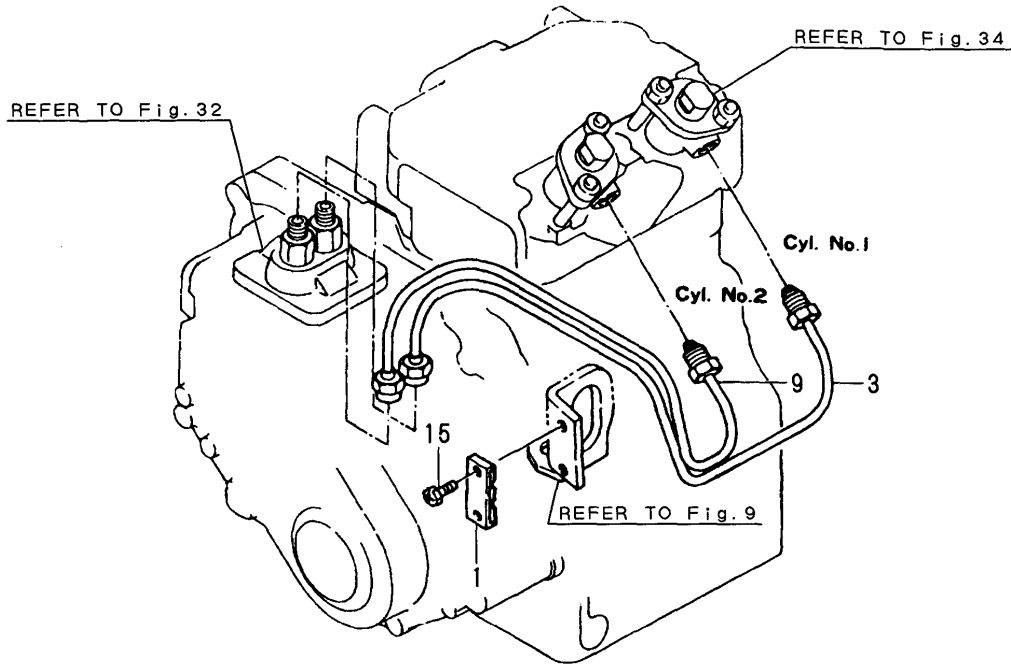
2GM20F-YEU
2GM20FC-YEU



Remarks
(1)TAIYO GIKEN:YE-100CZ

Fig.36. FUEL INJECTION PIPE

Fig. **36** 燃料噴射パイプ
FUEL INJECTION PIPE



OCR10-G47101 36. FUEL INJECTION PIPE

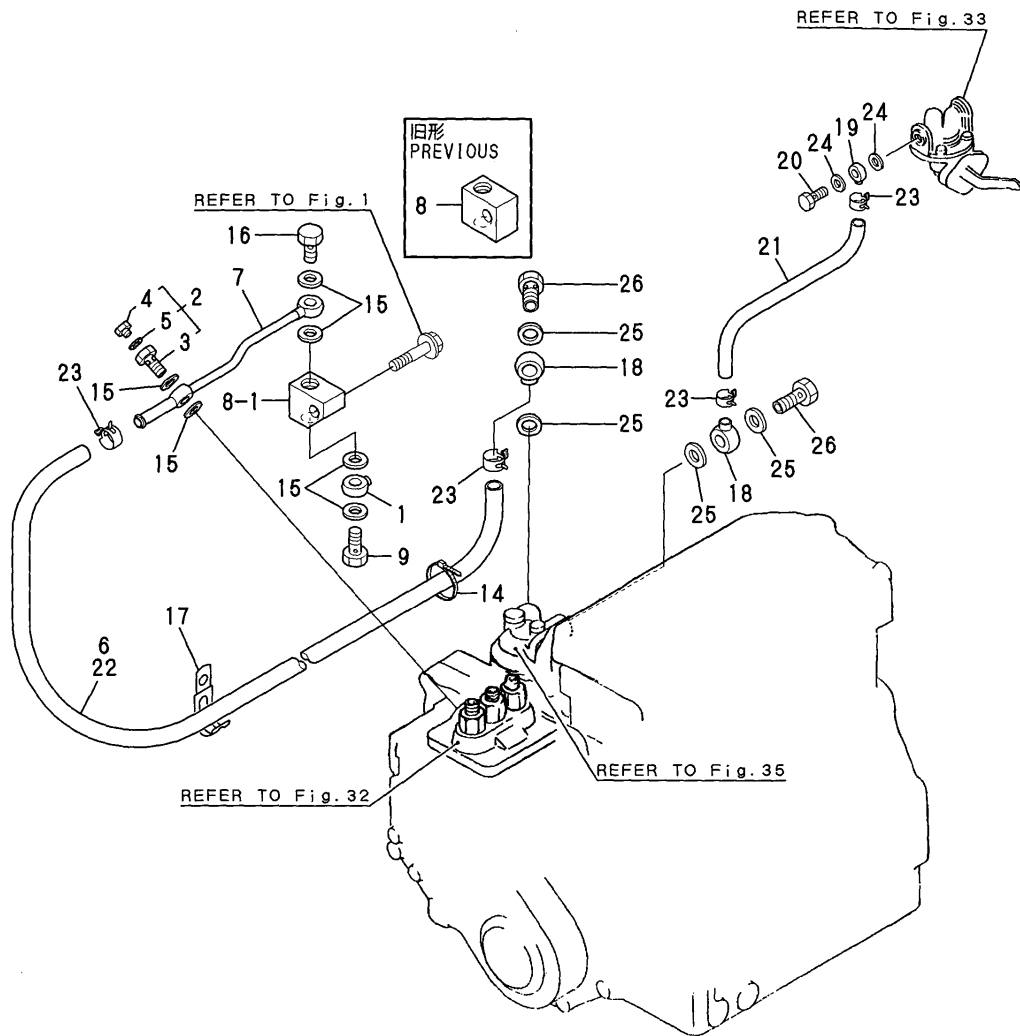
(A)=2GM20-YEU
(B)=2GM20C-YEU
(C)=2GM20F-YEU

(D)=2GM20FC-YEU
(E)=
(F)=

REF.	LEV.	PARTS NO.	DESCRIPTION	Q'TY						I	R
				(A)	(B)	(C)	(D)	(E)	(F)		
1	1	123372-59100	CLAMP	1	1	1	1				
3	1	128277-59810	PIPE, F.INJECT.	1	1	1	1				
9	1	128277-59820	PIPE, F.INJECT.	1	1	1	1				
15	1	121465-59950	BOLT M 6X 16, PLATED	2	2	2	2				

Fig.37. FUEL PIPE

Fig.37 燃料パイプ
FUEL PIPE



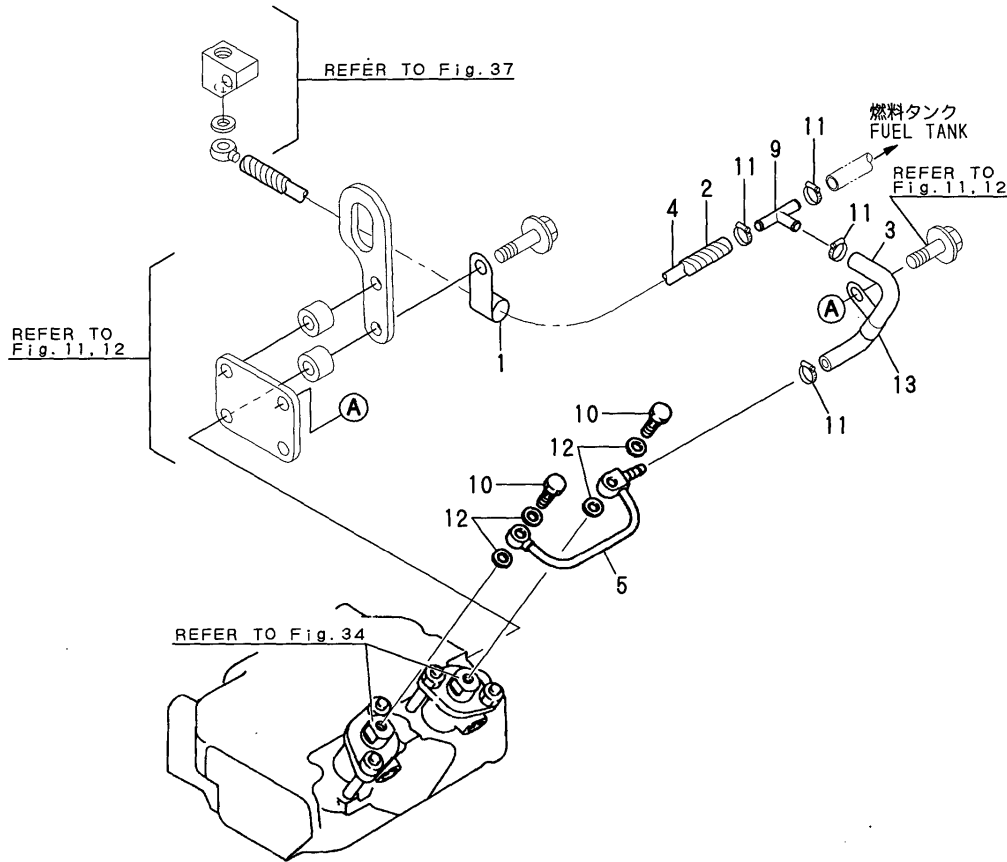
(A)=2GM20-YEU
(B)=2GM20C-YEU
(C)=2GM20F-YEU

(D)=2GM20FC-YEU
(E)=
(F)=

REF.	LEV.	PARTS NO.	DESCRIPTION	QTY						I	R
				(A)	(B)	(C)	(D)	(E)	(F)		
1	1	104264-59020	JOINT 12, PIPE	1	1	1	1				
2	1	103854-59191	BOLT W/PLUG & SEAL	1	1	1	1				
3	2	103854-59201	BOLT, JOINT	1	1	1	1				
4	2	124060-59380	PLUG	1	1	1	1				
5	2	22190-060002	SEAL WASHER 6S	1	1	1	1				
6	1	129470-59120	PIPE, FUEL				1	1			
6-1	1	129470-59122	PIPE, FUEL OIL (C=E/#03967) (D=E/#03965)				1	1			N
7	1	128296-59550	PIPE	1	1	1	1				
8	1	128296-59900	JOINT	1	1	1	1				
8-1	1	128296-59901	JOINT (A=E/#03961) (B=E/#04261) (C=E/#03967) (D=E/#03965)	1	1	1	1				N
9	1	128296-59940	VALVE, CHECK	1	1	1	1				
14	1	121750-59890	CLAMP 140				1	1			
15	1	22190-120002	SEAL WASHER 12	6	6	6	6				
16	1	23857-060000	JOINT BOLT 6	1	1	1	1				
17	1	124450-39240	RETAINER, PIPE	1	1	1	1				
18	1	104264-59020	JOINT 12, PIPE	2	2	2	2				
19	1	104264-59030	JOINT 8, PIPE	1	1	1	1				
20	1	105582-59150	BOLT, PIPE JOINT	1	1	1	1				
21	1	129470-59540	PIPE, FUEL OIL	1	1	1	1				
21-1	1	129470-59542	PIPE, FUEL OIL (A=E/#03961) (B=E/#04261) (C=E/#03967) (D=E/#03965)	1	1	1	1				N
22	1	129470-59540	PIPE, FUEL OIL	1	1						
22-1	1	129470-59542	PIPE, FUEL OIL (A=E/#03961) (B=E/#04261)	1	1						N
23	1	23000-016000	CLAMP 16	4	4	4	4				
24	1	23414-080000	GASKET 8, ROUND	2	2	2	2				
24-1	1	22190-080002	SEAL WASHER 8S (A=*2000.03) (B=*2000.03) (C=*2000.03) (D=*2000.03)	2	2	2	2				N
25	1	23414-120000	GASKET 12, ROUND	4	4	4	4				
25-1	1	22190-120002	SEAL WASHER 12 (A=*2000.03) (B=*2000.03) (C=*2000.03) (D=*2000.03)	4	4	4	4				N
26	1	23857-060000	JOINT BOLT 6	2	2	2	2				

Fig.38. FUEL RETURN PIPE

Fig.38 燃料戻しパイプ
FUEL RETURN PIPE



OCR10-G47101 38. FUEL RETURN PIPE

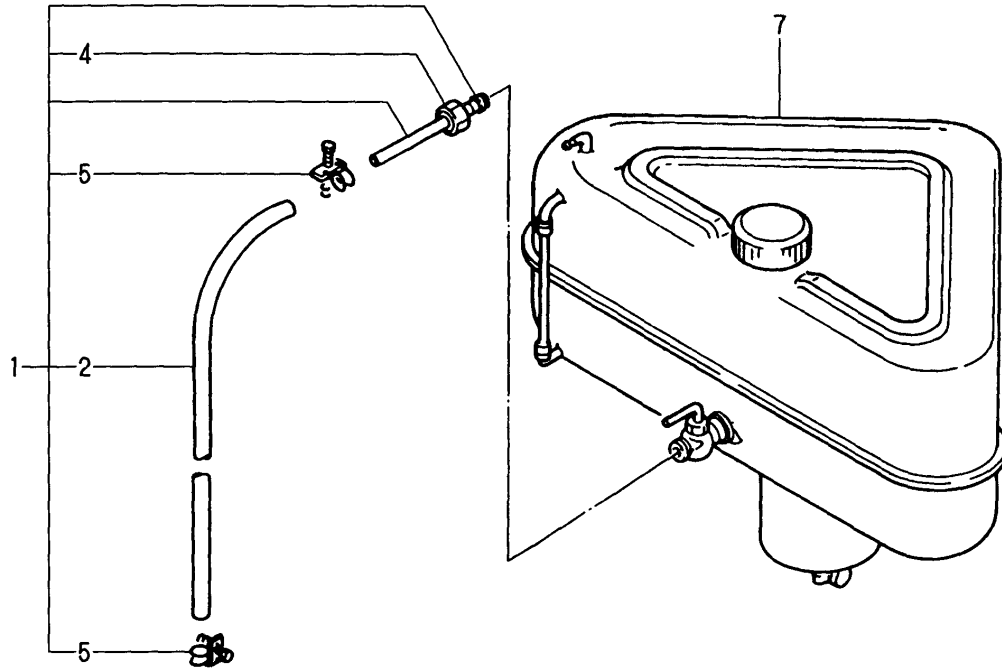
(A)=2GM20-YEU
(B)=2GM20C-YEU
(C)=2GM20F-YEU

(D)=2GM20FC-YEU
(E)=
(F)=

REF.	LEV.	PARTS NO.	DESCRIPTION	QTY						I	R
				(A)	(B)	(C)	(D)	(E)	(F)		
1	1	119593-39450	RETAINER	2	2	2	2				
1-1	1	119593-39450	RETAINER	1	1	1	1				K
		(A=E/#03007) (B=E/#03103) (C=E/#03017) (D=E/#03067)									
1-2	1	128377-59860	RETAINER	1	1	1	1				N
		(A=E/#03961) (B=E/#04261) (C=E/#03967) (D=E/#03965)									
2	1	128270-59100	TUBE 15,CORRUGATED	1	1	1	1				
2-1	1	128370-59130	PROTECTOR,FUEL PIPE	1	1	1	1				N
		(A=E/#03961) (B=E/#04261) (C=E/#03967) (D=E/#03965)									
3	1	124070-59110	PIPE,FUEL L=155	1	1	1	1				
3-1	1	119370-59040	PIPE	1	1	1	1				R
		(A=E/#02817) (B=E/#02751) (C=E/#02759) (D=E/#02893)									
3-2	1	128370-59040	PIPE, FUEL OIL	1	1	1	1				N
		(A=E/#03961) (B=E/#04261) (C=E/#03967) (D=E/#03965)									
4	1	128270-59120	PIPE, FUEL	1	1	1	1				
4-1	1	128370-59120	PIPE, FUEL OIL	1	1	1	1				N
		(A=E/#03961) (B=E/#04261) (C=E/#03967) (D=E/#03965)									
5	1	105311-59500	PIPE, FUEL RETURN	1	1	1	1				
5-1	1	128277-59500	PIPE, FUEL RETURN	1	1	1	1				R
		(A=E/#04198) (B=E/#04261) (C=E/#04161) (D=E/#04204)									
9	1	128377-59560	3-WAY JOINT	1	1	1	1				
10	1	101147-59810	BOLT 8, PIPE JOINT	2	2	2	2				
11	1	23000-016000	CLAMP 16	4	4	4	4				
12	1	23414-080000	GASKET 8, ROUND	4	4	4	4				
12-1	1	22190-080002	SEAL WASHER 8S	4	4	4	4				N
		(A=*2000.03) (B=*2000.03) (C=*2000.03) (D=*2000.03)									
13	1	128377-59850	STOPPER	1	1	1	1				W
		(A=E/#03007) (B=E/#03103) (C=E/#03017) (D=E/#03067)									
13-1	1	128377-59851	RETAINER	1	1	1	1				N
		(A=E/#03961) (B=E/#04261) (C=E/#03967) (D=E/#03965)									

Fig.39. FUEL TANK(OPTIONAL)

Fig. 39 燃料タンク (オプション)
FUEL TANK (OPTIONAL)



OCR10-G47101 39. FUEL TANK(OPTIONAL)

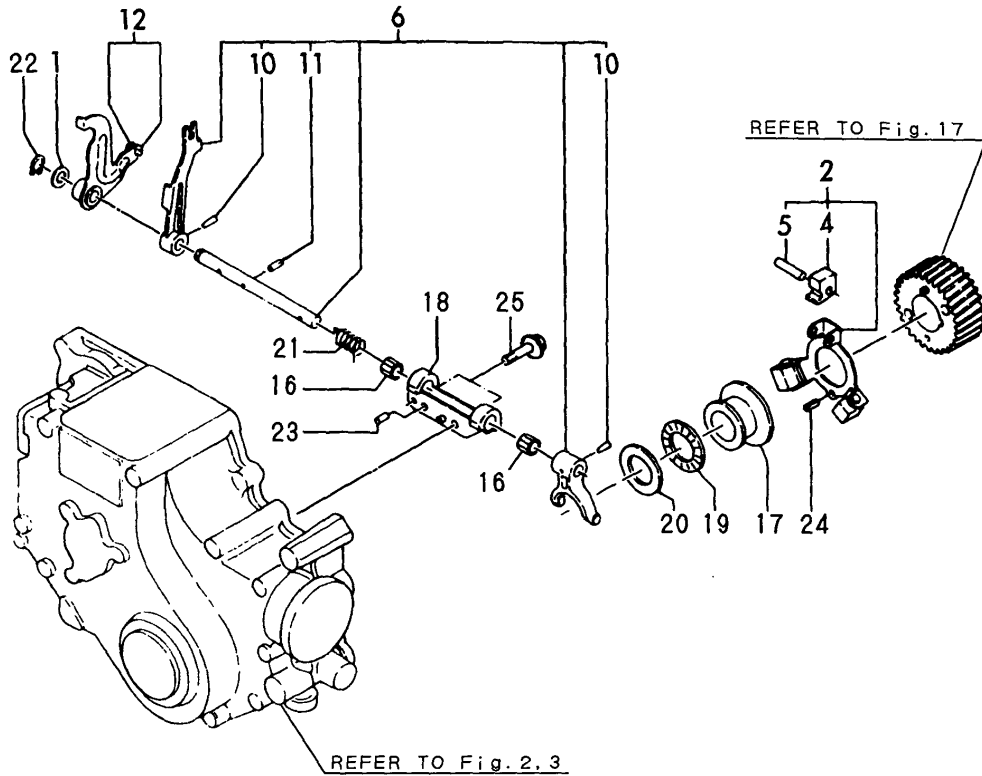
(A)=2GM20-YEU
(B)=2GM20C-YEU
(C)=2GM20F-YEU

(D)=2GM20FC-YEU
(E)=
(F)=

REF.	LEV.	PARTS NO.	DESCRIPTION	Q'TY						I	R
				(A)	(B)	(C)	(D)	(E)	(F)		
1	1	124070-59060	PIPE, FUEL OIL	1	1	1	1				
2	2	124070-59130	PIPE, FUEL OIL	1	1	1	1				
4	2	138603-59380	CAP NUT	1	1	1	1				
5	2	23010-014000	CLAMP 14	2	2	2	2				
7	1	83213-003012	TANK (30L), FUEL	1	1	1	1				

Fig.40. GOVERNOR EQUIPMENT DEVICE

Fig.40 ガバナ駆動装置
GOVERNOR EQUIPMENT DEVICE



OCR10-G47101 40. GOVERNOR EQUIPMENT DEVICE

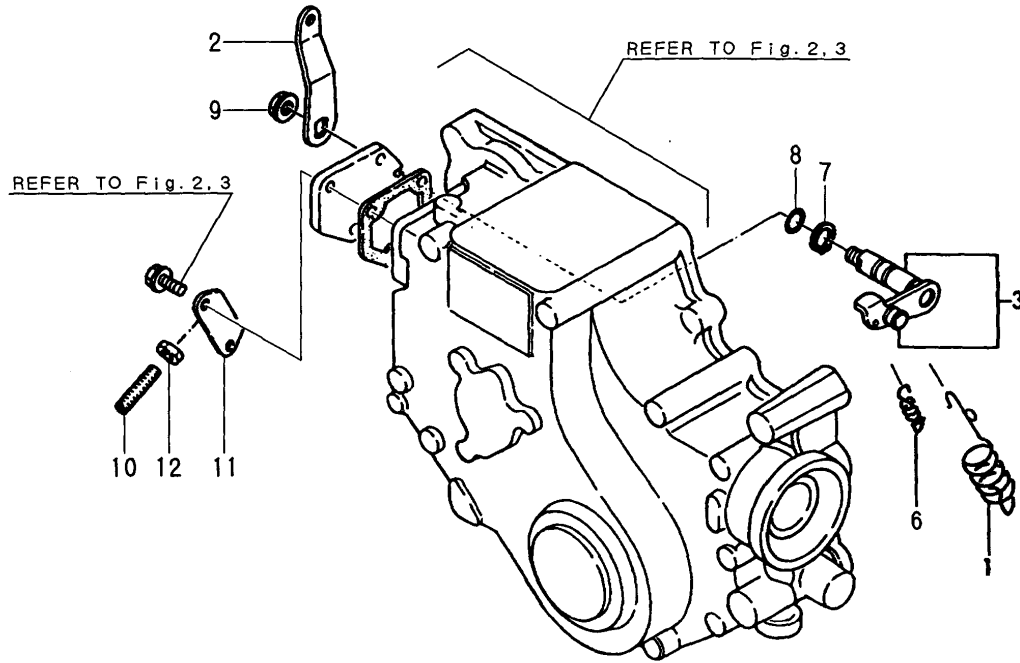
(A)=2GM20-YEU
(B)=2GM20C-YEU
(C)=2GM20F-YEU

(D)=2GM20FC-YEU
(E)=
(F)=

REF.	LEV.	PARTS NO.	DESCRIPTION	Q'TY						I	R
				(A)	(B)	(C)	(D)	(E)	(F)		
1	1	104211-42130	SPACER	1	1	1	1				
2	1	771016-61620	WEIGHT, GOVERNOR	1	1	1	1				
4	2	105300-61200	WEIGHT, GOVERNOR	3	3	3	3				
5	2	121575-61220	PIN, GOVERNOR WEIGHT	3	3	3	3				
6	1	721500-61560	LEVER ASSY, GOVERNOR	1	1	1	1				
10	2	22322-030200	TAPER PIN 3X20	2	2	2	2				
11	2	22351-030012	SPRING PIN 3X12	1	1	1	1				
12	1	121575-61161	LEVER ASSY, CONTROL	1	1	1	1				
16	1	122410-61650	BEARING, NEEDLE	2	2	2	2				
17	1	121000-61600	SLEEVE, GOVERNOR	1	1	1	1				
18	1	121575-61620	SUPPORT	1	1	1	1				
19	1	24166-254202	NEEDLE BEARING	1	1	1	1				
20	1	121575-61720	COLLAR, BEARING	1	1	1	1				
21	1	121575-66310	SPRING, STARTING	1	1	1	1				
22	1	22242-000100	CIRCLIP 10	1	1	1	1				
23	1	22312-040080	PIN 4X8, STRAIGHT	2	2	2	2				
24	1	22351-040008	SPRING PIN 4X 8	2	2	2	2				
25	1	26106-060282	BOLT M 6X 28 PLATED	2	2	2	2				

Fig.41. CONTROL DEVICE

Fig.41 操纵装置
CONTROL DEVICE



OCR10-G47101 41. CONTROL DEVICE

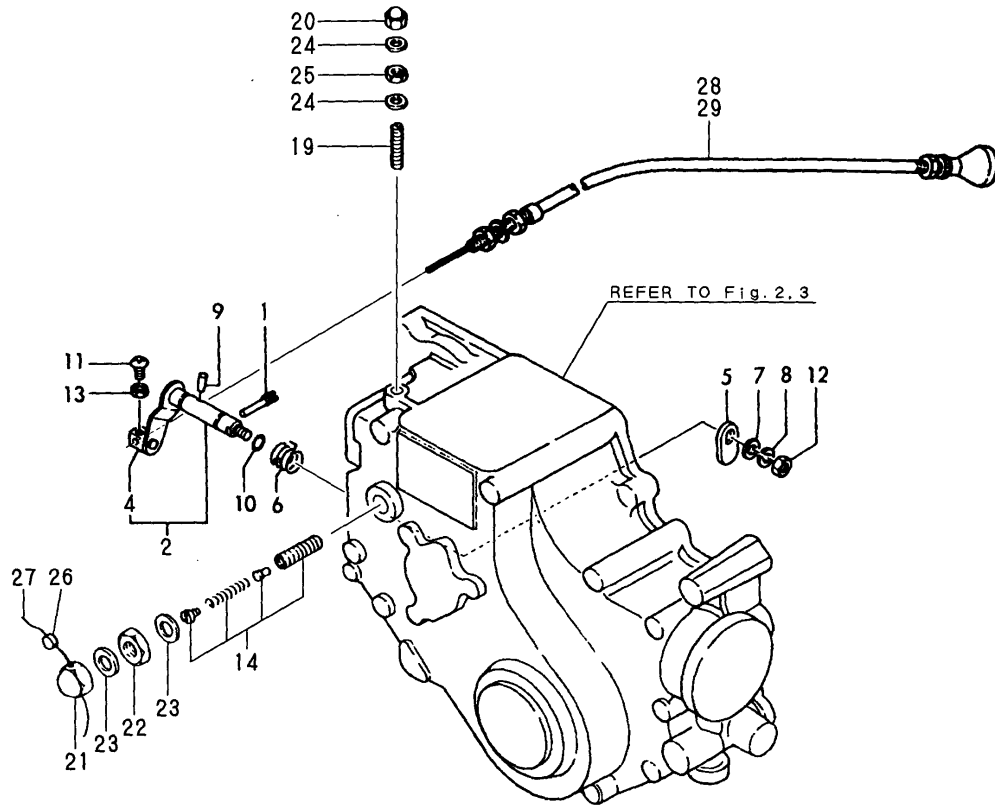
(A)=2GM20-YEU
(B)=2GM20C-YEU
(C)=2GM20F-YEU

(D)=2GM20FC-YEU
(E)=
(F)=

REF.	LEV.	PARTS NO.	DESCRIPTION	Q'TY						I	R
				(A)	(B)	(C)	(D)	(E)	(F)		
1	1	128270-66010	SPRING, REGULATOR	1	1	1	1				
2	1	121575-66051	HANDLE, REGULATOR	1	1	1	1				
3	1	121000-66090	LEVER ASSY, REGULAT	1	1	1	1				
6	1	121575-66200	SPRING, REGULATOR	1	1	1	1				
7	1	22242-000120	CIRCLIP 12	1	1	1	1				
8	1	24311-000090	O-RING 1A P-9.0	1	1	1	1				
9	1	26366-080002	NUT M 8	1	1	1	1				
10	1	121575-66800	SCREW, ADJUST	1	1	1	1				
11	1	121575-66850	RETAINER	1	1	1	1				
12	1	26756-060002	LOCK NUT 6	1	1	1	1				

Fig.42. ENGINE STOP DEVICE

Fig.42 機関停止装置
ENGINE STOP DEVICE



OCR10-G47101 42. ENGINE STOP DEVICE

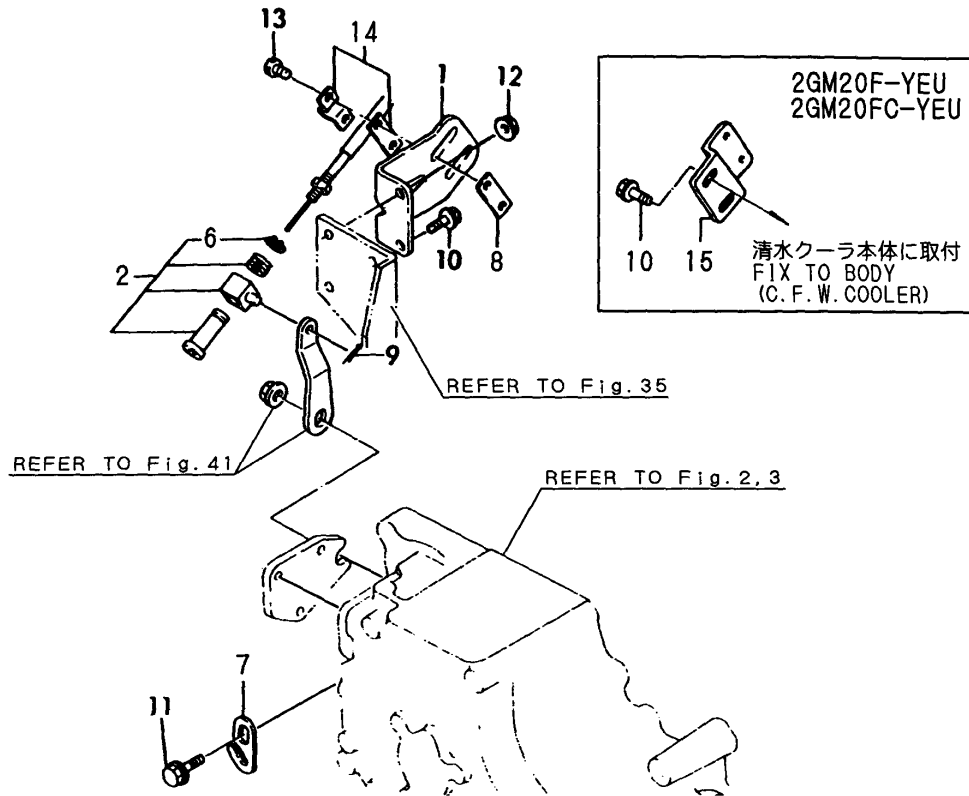
(A)=2GM20-YEU
(B)=2GM20C-YEU
(C)=2GM20F-YEU

(D)=2GM20FC-YEU
(E)=
(F)=

REF.	LEV.	PARTS NO.	DESCRIPTION	QTY						I	R
				(A)	(B)	(C)	(D)	(E)	(F)		
1	1	124250-03640	SCREW, STOP	1	1	1	1				
2	1	121575-66510	LEVER ASSY, ENG,STOP	1	1	1	1				
4	2	121575-66520	LEVER,STOPPER	1	1	1	1				
5	1	121575-66550	CAM	1	1	1	1				
6	1	121575-66580	SPRING, RETURN	1	1	1	1				
7	1	22117-060000	WASHER 6	1	1	1	1				
8	1	22217-060000	SPRING WASHER 6	1	1	1	1				
9	1	22322-030160	TAPER PIN 3X16	1	1	1	1				
10	1	24311-000070	O-RING 1A P-7.0	1	1	1	1				
11	1	26557-050122	SCREW M 5X 12	1	1	1	1				
12	1	26716-060002	NUT 6	1	1	1	1				
13	1	26756-050002	LOCK NUT M 5 PLATED	1	1	1	1				
14	1	128270-66550	CONTROLLER ASSY	1	1	1	1				
19	1	121575-66800	SCREW, ADJUST	1	1	1	1				
20	1	128170-66870	CAP NUT M 6	1	1	1	1				
21	1	128170-66880	CAP NUT M12	1	1	1	1				
22	1	128170-66890	LOCK NUT M12	1	1	1	1				
23	1	22190-120002	SEAL WASHER 12	2	2	2	2				
24	1	23414-060000	GASKET 6, ROUND	2	2	2	2				
25	1	26756-060002	LOCK NUT 6	1	1	1	1				
26	1	135210-61090	LEAD	1	1	1	1				
27	1	22453-060000	WIRE 0.6	1	1	1	1				
28	1	104271-67550	CABLE L=3000	1	1	1	1				
29	1	129470-67560	CABLE L=7000	1	1	1	1				

Fig.43. SPEED REMOTE CONTROL

Fig.43 スピードリモコン
SPEED REMOTE CONTROL



OCR10-G47101 43. SPEED REMOTE CONTROL

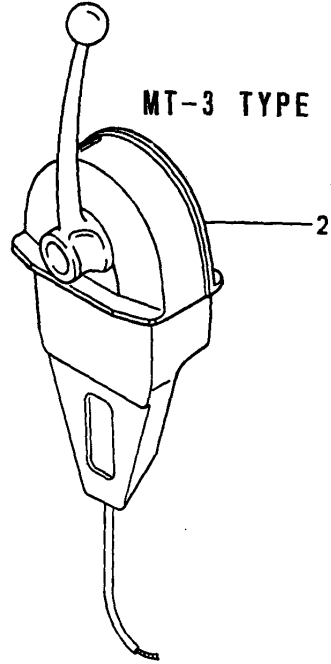
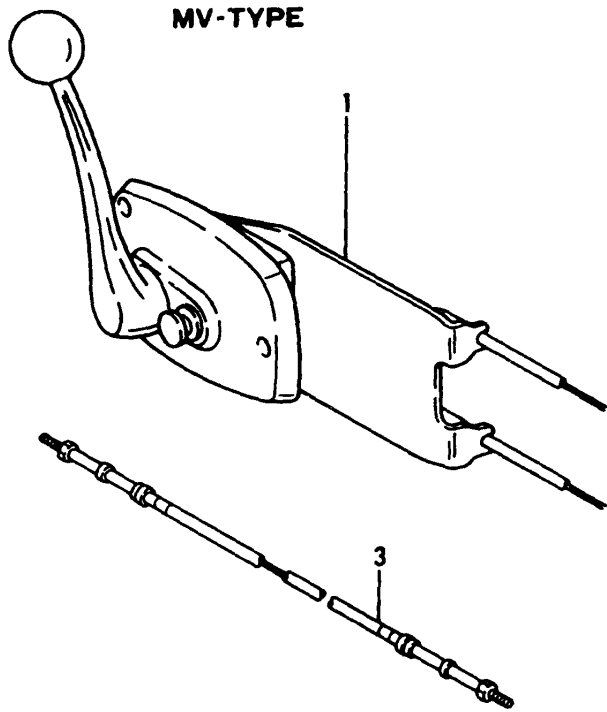
(A)=2GM20-YEU
(B)=2GM20C-YEU
(C)=2GM20F-YEU

(D)=2GM20FC-YEU
(E)=
(F)=

REF.	LEV.	PARTS NO.	DESCRIPTION	QTY						I	R
				(A)	(B)	(C)	(D)	(E)	(F)		
1	1	128270-67100	BRACKET, CABLE	1	1						
2	1	105311-67200	RETAINER, JOINT	1	1	1	1				
6	2	22242-000100	CIRCLIP 10	1	1	1	1				
7	1	128377-67580	BRACKET, CABLE	1	1	1	1				
8	1	121574-86320	RETAINER	1	1						
9	1	22360-080000	SNAP PIN 8	1	1	1	1				
10	1	26106-060102	BOLT M 6X 10 PLATED	1	1	2	2				
11	1	26106-060122	BOLT M 6X 12 PLATED	1	1	1	1				
12	1	26366-060002	NUT M 6	1	1						
13	1	26557-050122	SCREW M 5X 12	2	2	2	2				
14	1	41710-000410	CLAMP	1	1	1	1				
15	1	105311-67100	BRACKET, CABLE			1	1				

Fig.44. SINGLE LEVER CONTROL(OPTIONAL)

Fig. **44** シングルレバーコントロール (オプション)
 SINGLE LEVER CONTROL (OPTIONAL)



OCR10-G47101 44. SINGLE LEVER CONTROL(OPTIONAL)

(A)=2GM20-YEU
 (B)=2GM20C-YEU
 (C)=2GM20F-YEU

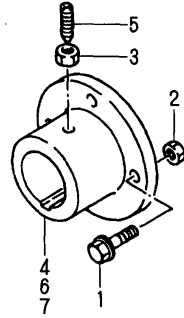
(D)=2GM20FC-YEU
 (E)=
 (F)=

REF.	LEV.	PARTS NO.	DESCRIPTION	Q'TY						I	R
				(A)	(B)	(C)	(D)	(E)	(F)		
1	1	128170-86500	MOUNT	1	1	1	1				
2	1	41730-000681	MT-3 REMO-CON	1	1	1	1				
3	1	41710-000380	CABLE L=4000	2	2	2	2				

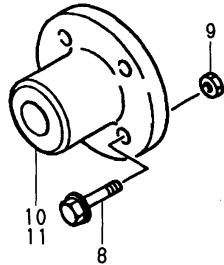
Fig.45. COUPLING(OPTIONAL)

Fig. **45** カップリング (オプション)
COUPLING (OPTIONAL)

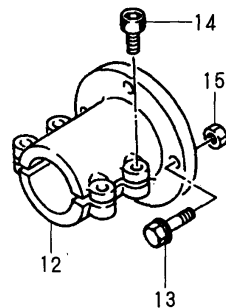
テーパカップリング
TAPER COUPLING



ストレート カップリング
STRAIGHT COUPLING



スリット カップリング
SLIT COUPLING



OCR10-G47101 45. COUPLING(OPTIONAL)

(A)=2GM20-YEU
(B)=2GM20C-YEU
(C)=2GM20F-YEU

(D)=2GM20FC-YEU
(E)=
(F)=

REF.	LEV.	PARTS NO.	DESCRIPTION	QTY						I	R
				(A)	(B)	(C)	(D)	(E)	(F)		
1	1	26106-100322	BOLT M10X 32 PLATED	4	4	4	4				
2	1	26706-100002	NUT M10	4	4	4	4				
3	1	26756-080002	LOCK NUT M 8 PLATED	1	1	1	1				
4	1	48110-025063	COUPLING 25, TAPER	1	1	1	1				
5	1	48110-032411	SCREW	1	1	1	1				
6	1	48110-028063	COUPLING 28, TAPER	1	1	1	1				
7	1	48110-522361	COUPLING 22, TAPER	1	1	1	1				
8	1	26106-100322	BOLT M10X 32 PLATED	4	4	4	4				
9	1	26706-100002	NUT M10	4	4	4	4				
10	1	45414-500260	COUPLING (16)	1	1	1	1				
11	1	105583-85900	COUPLING (22), SOLID	1	1	1	1				
12	1	104214-83980	COUPLING (20), SLIT	1	1	1	1				
13	1	26106-100322	BOLT M10X 32 PLATED	4	4	4	4				
14	1	26450-080282	BOLT M 8X 28	4	4	4	4				
15	1	26706-100002	NUT M10	4	4	4	4				

Fig.46. CLUTCH

OCR10-G47101 46. CLUTCH

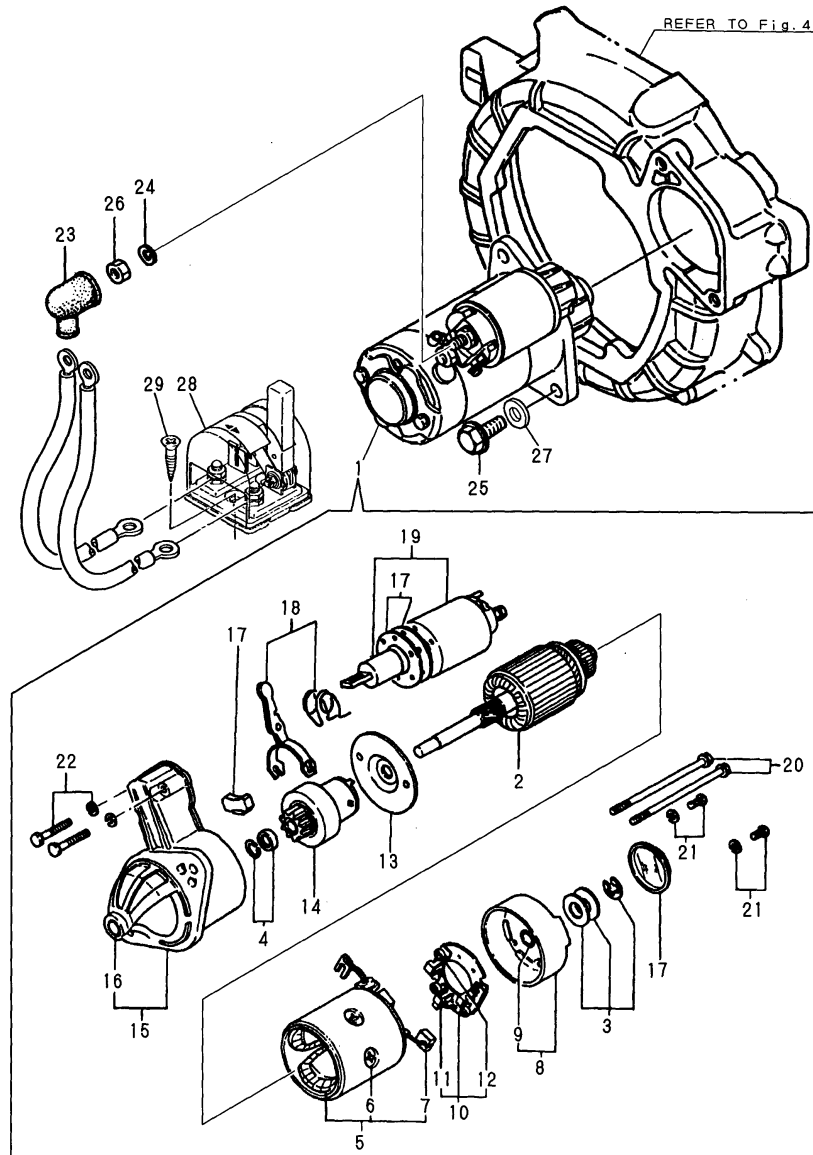
(A)=2GM20-YEU
(B)=2GM20C-YEU
(C)=2GM20F-YEU

(D)=2GM20FC-YEU
(E)=
(F)=

REF.	LEV.	PARTS NO.	DESCRIPTION	Q'TY						I	R
				(A)	(B)	(C)	(D)	(E)	(F)		
1	1	128171-81120	CLUTCH KM2P I=2.62	1	1	1	1				
2	1	128171-81130	CLUTCH KM2P I=3.22	1	1	1	1				
3	1	128171-81110	CLUTCH KM2P I=2.21	1	1	1	1				
4	1	26106-080452	BOLT M 8X 45 PLATED	8	8	8	8				
4-1	1	26106-080282	BOLT M 8X 28 PLATED	8	8	8	8				S
		(A=#03151)	(B=#03183)	(C=#03149)	(D=#03157)						

Remarks
THIS FIGURE ARE NOT ILLUSTRATED.

Fig.47. STARTING MOTOR

Fig.47 スターティングモータ
STARTING MOTOR

Remarks

(1)HITACHI:S114-303A
12V 1.0KW

OCR10-G47101 47. STARTING MOTOR

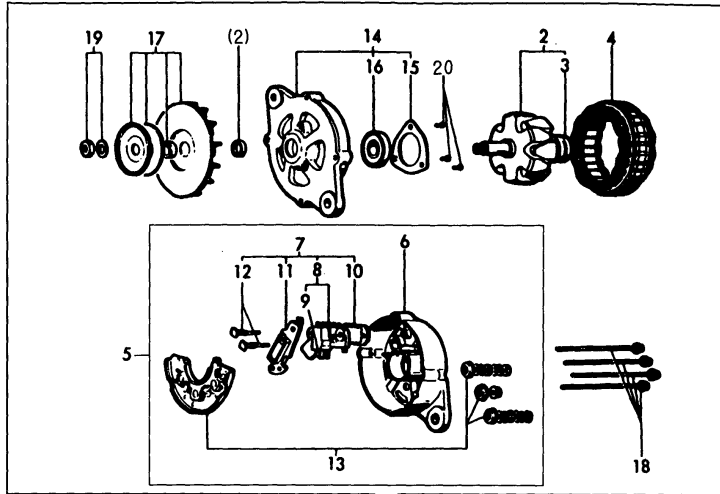
(A)=2GM20-YEU
(B)=2GM20C-YEU
(C)=2GM20F-YEU

(D)=2GM20FC-YEU
(E)=
(F)=

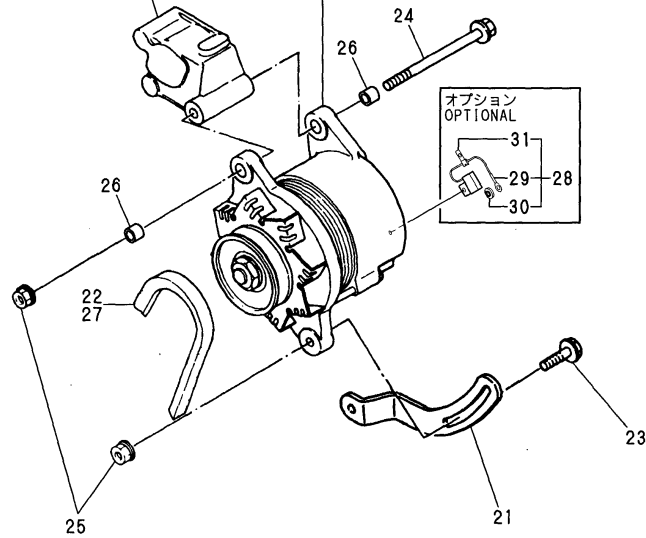
REF.	LEV.	PARTS NO.	DESCRIPTION	Q'TY						I	R
				(A)	(B)	(C)	(D)	(E)	(F)		
1	1	128170-77010	STARTER	1	1	1	1				1
2	2	X211451005	ARMATURE	1	1	1	1				
3	2	X21148110	WASHER SET, THRUST	1	1	1	1				
4	2	X21147155	STOPPER SET, PINION	1	1	1	1				
5	2	X211462101	COIL ASSY, FIELD	1	1	1	1				
6	3	X21143215	SCREW, CORE	4	4	4	4				
7	3	X21145312	BRUSH (+)	2	2	2	2				
8	2	X211413005	COVER ASSY	1	1	1	1				
9	3	X21145352	METAL	1	1	1	1				
10	2	X211433101	HOLDER	1	1	1	1				
11	3	X21148313	BRUSH (-)	2	2	2	2				
12	3	X2114314	SPRING	4	4	4	4				
13	2	X21144454	PLATE	1	1	1	1				
14	2	X211415006	PINION ASSY	1	1	1	1				
15	2	X211476503	CASE ASSY	1	1	1	1				
16	3	X21144661	METAL, GEAR CASE	1	1	1	1				
17	2	X21147954	COVER SET, DUST	1	1	1	1				
18	2	X21149652	LEVER SET, SHIFT	1	1	1	1				
19	2	X211447009	SWITCH	1	1	1	1				
20	2	X21148852	BOLT, THROUGH	2	2	2	2				
21	2	X21142835	SCREW SET	2	2	2	2				
22	2	X21145866	BOLT	2	2	2	2				
23	1	124550-77030	COVER, TERMINAL	1	1	1	1				
24	1	22217-080000	SPRING WASHER 8	1	1	1	1				
25	1	26106-100302	BOLT M10X 30 PLATED	2	2	2	2				
26	1	26756-080002	LOCK NUT M 8 PLATED	1	1	1	1				
27	1	22117-100000	WASHER 10	2	2	2	2				
28	1	123310-77640	SWITCH, BATTERY	1	1	1	1				
29	1	22724-800380	SCREW 8X 38	2	2	2	2				

Fig.48. GENERATOR

Fig.48 ジェネレータ GENERATOR



REFER TO Fig. 29



Remarks

- (1)HITACHI:LR155-20B
12V 55A
- (2)INC.9
- (3)OPTIONAL

(A)=2GM20-YEU
(B)=2GM20C-YEU
(C)=2GM20F-YEU

(D)=2GM20FC-YEU
(E)=
(F)=

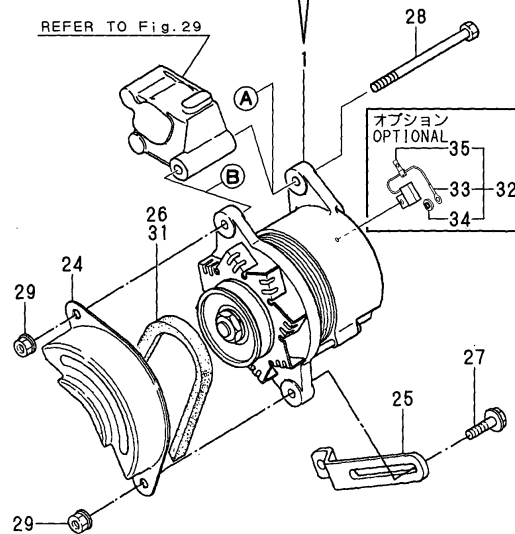
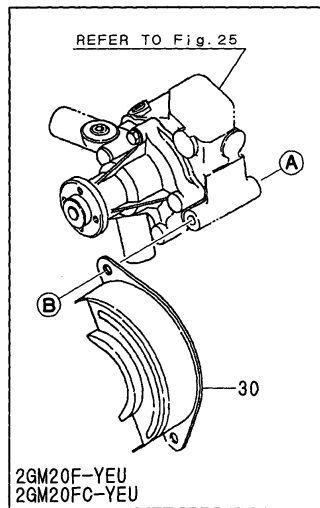
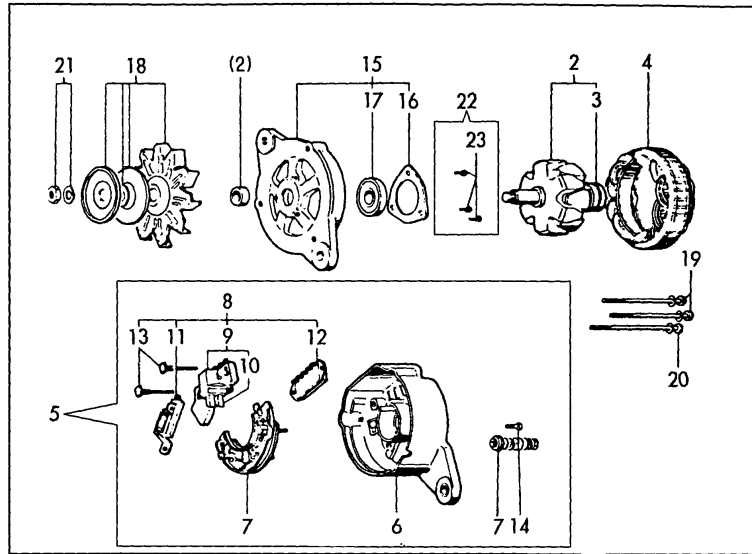
REF.	LEV.	PARTS NO.	DESCRIPTION	Q'TY						I	R
				(A)	(B)	(C)	(D)	(E)	(F)		
1	1	129772-77200	GENERATOR(12V-55A)	1	1	1	1				1
2	2	XL15571001	ROTOR ASSY	1	1	1	1				
3	3	X6201SD	BALL BEARING	1	1	1	1				
4	2	XL15542001	STATOR ASSY	1	1	1	1				
5	2	XL15553002	COVER ASSY, REAR	1	1	1	1				
6	3	XL22553012	COVER, REAR	1	1	1	1				
7	3	XL1556315	REGULATOR ASSY,BRUSH	1	1	1	1				
8	4	XL2255330	BRUSH ASSY	1	1	1	1				2
9	4	XL12013262	BRUSH	2	2	2	2				
10	4	XTR1Z63	REGULATOR	1	1	1	1				
11	4	XL2251318	CONDENCER ASSY	1	1	1	1				
12	4	XL13513134	BOLT M5	2	2	2	2				
13	3	XL2253320	DIODE ASSY	1	1	1	1				
14	2	XL2253400	FRONT COVER ASSY	1	1	1	1				
15	3	XL15014042	BEARING RETAINER	1	1	1	1				
16	3	X6203BM	BALL BEARING	1	1	1	1				
17	2	XL225G6500	PULLEY ASSY	1	1	1	1				
18	2	XL15018015	BOLT, THROUGH	4	4	4	4				
19	2	XL15018010	NUT ASSY, PULLEY	1	1	1	1				
20	2	XL15028001	SCREW ASSY	1	1	1	1				
21	1	128271-77330	ADJUSTER, BELT	1	1	1	1				
22	1	25132-003100	V-BELT	1	1						
23	1	26106-080302	BOLT M 8X 30 PLATED	1	1	1	1				
24	1	128271-77340	BOLT M 8X120	1	1	1	1				
25	1	26366-080002	NUT M 8	2	2	2	2				
26	1	105225-01900	GUIDE, O-RING	2	2	2	2				
27	1	25132-003700	V-BELT A37			1	1				
28	1	129772-77250	CONDENSER CMP	1	1	1	1				3
29	2	129772-77260	CONDENSER	1	1	1	1				3
30	2	129772-77270	ISOLATER	2	2	2	2				3
31	2	129772-77280	CLAMP	1	1	1	1				3

Fig.49. GENERATOR(OPTIONAL)

(A)=2GM20-YEU
(B)=2GM20C-YEU
(C)=2GM20F-YEU

(D)=2GM20FC-YEU
(E)=
(F)=

Fig. 49 ジェネレータ (オプション)
GENERATOR (OPTIONAL)

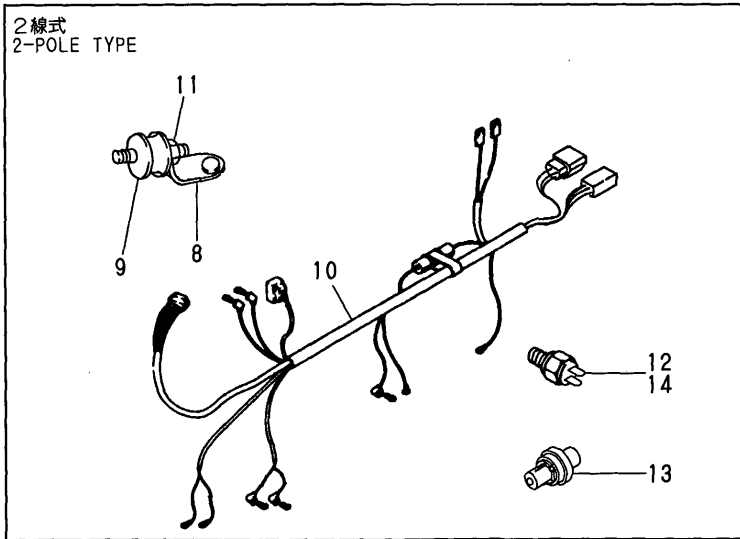
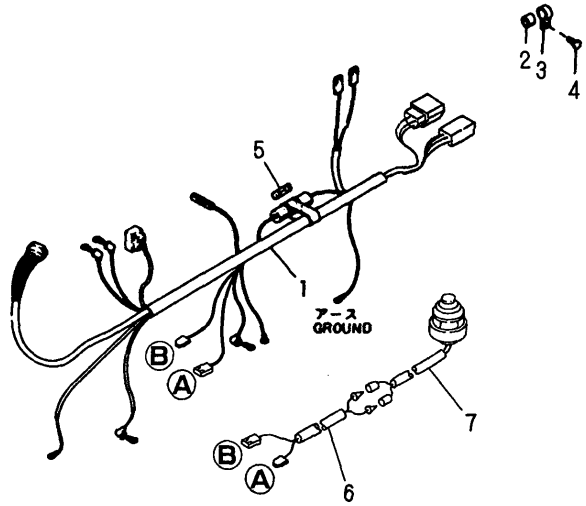


REF.	LEV.	PARTS NO.	DESCRIPTION	QTY						I	R
				(A)	(B)	(C)	(D)	(E)	(F)		
1	1	128270-77200	GENERATOR(12V-35A)	1	1	1	1				1
2	2	XL13561001	ROTOR ASSY	1	1	1	1				
3	3	X6201SD	BALL BEARING	1	1	1	1				
4	2	XL13542001	STATER ASSY	1	1	1	1				
5	2	XL13563003	COVER ASSY	1	1	1	1				
6	3	XL1358301	COVER	1	1	1	1				
7	3	XL1353320	DIODE ASSY	1	1	1	1				
8	3	XL13513152	REGULATOR	1	1	1	1				
9	4	XL1354326	BRUSH, CARBON	1	1	1	1				
10	4	XL12013262	BRUSH	2	2	2	2				
11	4	XL1352318	CONDENSER ASSY	1	1	1	1				
12	4	XTR1Z63	REGULATOR	1	1	1	1				
13	4	XL13513134	BOLT M5	2	2	2	2				
14	3	26557-050142	SCREW M 5X 14	1	1	1	1				
15	2	XL1359400	COVER ASSY, FRONT	1	1	1	1				
16	3	XL13514042	RETAINER	1	1	1	1				
17	3	X6302BM	BALL BEARING	1	1	1	1				
18	2	XL13525001	PULLEY ASSY	1	1	1	1				
19	2	XL1254801	BOLT, THROUGH	2	2	2	2				
20	2	XL1255801	BOLT, THROUGH	1	1	1	1				
21	2	XB495469B	NUT ASSY, PULLEY	1	1	1	1				
22	2	XL12010001	SCREW KIT	1	1	1	1				
23	3	26557-040122	SCREW M 4X 12,PAN HD	3	3	3	3				
24	1	121250-77210	COVER, GENERATOR	1	1						
25	1	124790-77330	ADJUSTER, BELT	1	1	1	1				
26	1	25132-003000	V-BELT	1	1						
27	1	26106-080302	BOLT M 8X 30 PLATED	1	1	1	1				
28	1	26106-081202	BOLT M 8X120 PLATED	1	1	1	1				
29	1	26366-080002	NUT M 8	2	2	2	2				
30	1	128695-77210	COVER, GENERATOR			1	1				
31	1	25112-003601	VELT A 36			1	1				
32	1	128171-77250	CONDENSER CMP	1	1	1	1				2
33	2	129772-77260	CONDENSER	1	1	1	1				2
34	2	129772-77270	ISOLATER	1	1	1	1				2
35	2	129772-77280	CLAMP	1	1	1	1				2

Remarks
(1)HITACHI:LR135-105
(2)OPTIONAL

Fig.50. WIRE HARNESS

Fig.50 ワイヤハーネス
WIRE HARNESS



Remarks
(1)OPTIONAL

(A)=2GM20-YEU
(B)=2GM20C-YEU
(C)=2GM20F-YEU

(D)=2GM20FC-YEU
(E)=
(F)=

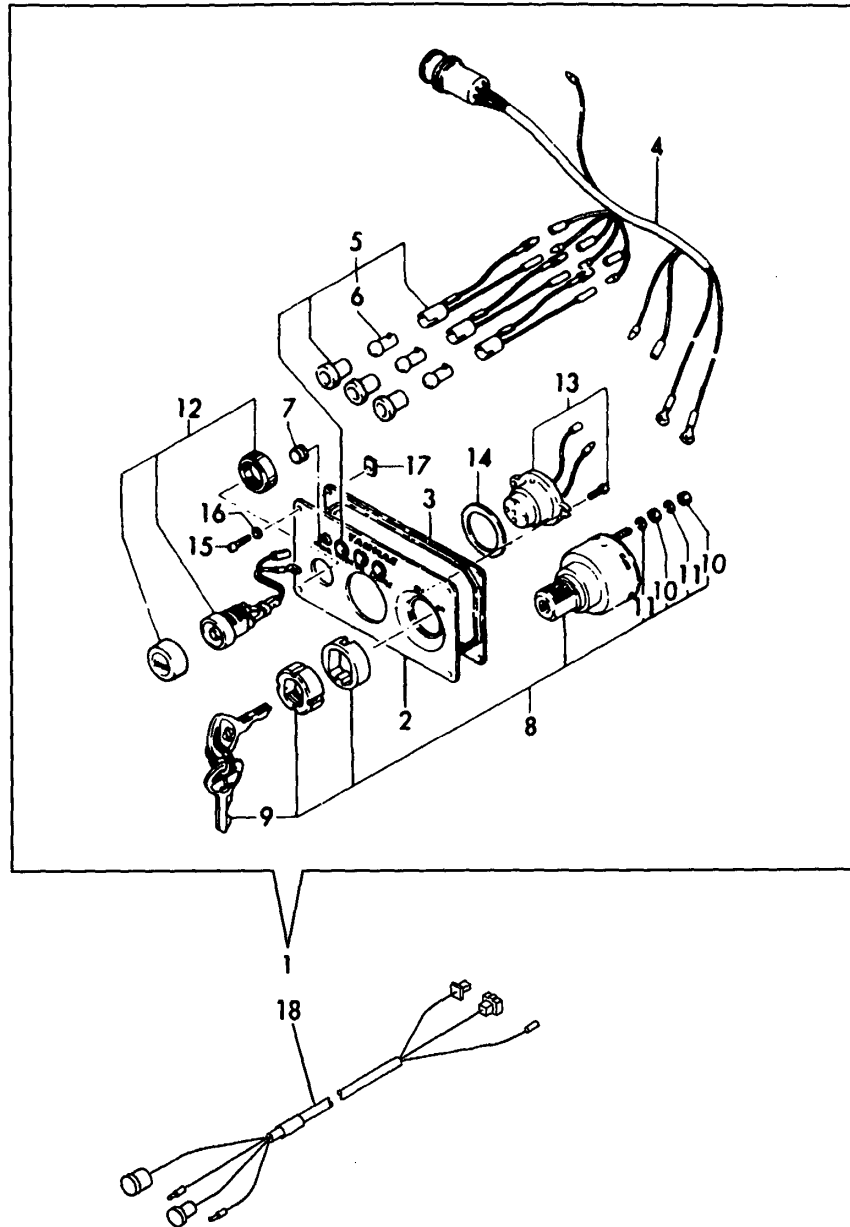
REF.	LEV.	PARTS NO.	DESCRIPTION	Q'TY						I	R
				(A)	(B)	(C)	(D)	(E)	(F)		
1	1	128271-77922	HARNESS, WIRE	1	1	1	1				
2	1	124770-77940	PROTECTOR	1	1	1	1				
3	1	124070-77950	CLAMP	1	1	1	1				
4	1	26106-080142	BOLT M 8X 14 PLATED	1	1	1	1				
5	1	46150-003680	FUSE 30A	1	1	1	1				
6	1	177074-06350	HARNESS, WIRE	1	1	1	1				
7	1	120270-77101	SWITCH	1	1	1	1				
8	1	129590-59200	CLAMP	1	1	1	1				1
9	1	194555-62750	RUBBER, CUSHION	1	1	1	1				1
10	1	128391-77820	WIRE HARNESS	1	1	1	1				1
11	1	26716-080002	NUT M 8	1	1	1	1				1
12	1	128271-91320	SWITCH, THERMO(65C)	1	1						1
13	1	126630-91591	SWITCH,OIL PRESSURE	1	1	1	1				1
14	1	119173-91320	SWITCH, THERMO(95C)			1	1				1

Fig.51. INSTRUMENT PANEL(A-TYPE,OPTION

(A)=2GM20-YEU
(B)=2GM20C-YEU
(C)=2GM20F-YEU

(D)=2GM20FC-YEU
(E)=
(F)=

Fig.51 計器盤 (Aタイプ, オプション)
INSTRUMENT PANEL (A-TYPE, OPTIONAL)



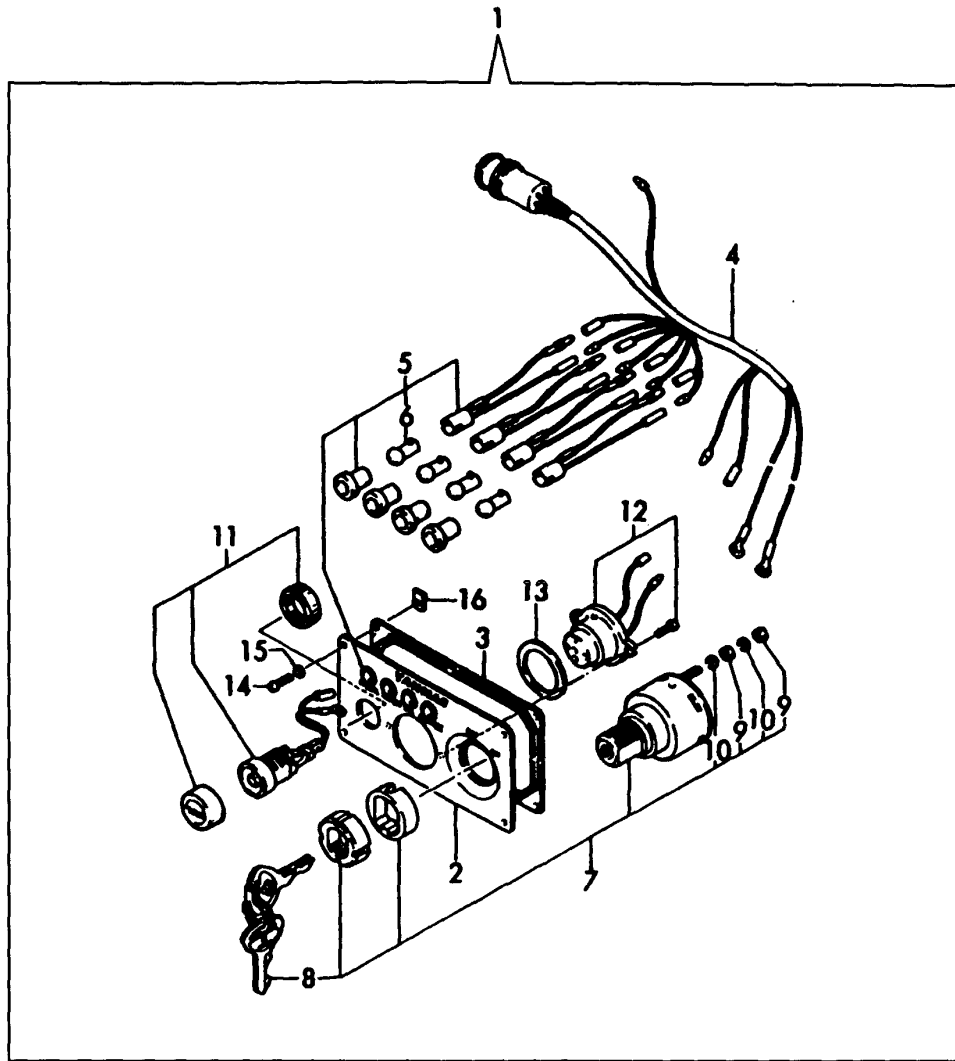
REF.	LEV.	PARTS NO.	DESCRIPTION	QTY						I	R
				(A)	(B)	(C)	(D)	(E)	(F)		
1	1	128270-91001	PANEL ASSY, INSTRUM	1	1	1	1				
2	2	128270-91010	HOUSING, PANEL	1	1	1	1				
3	2	128270-91020	PACKING	1	1	1	1				
4	2	128270-91031	HARNESS, WIRE	1	1	1	1				
5	2	128270-91040	LAMP, PILOT	3	3	3	3				
6	3	46150-001110	BULB(12V3W/G11.BA9S)	3	3	3	3				
7	2	128270-91230	COVER	1	1	1	1				
8	2	124070-91250	SWITCH W/KEY	1	1	1	1				
9	3	124070-91290	KEY, SWITCH	1	1	1	1				
10	3	26716-050002	NUT M 5	4	4	4	4				
11	3	22217-050000	SPRING WASHER 5	4	4	4	4				
12	2	124070-91300	SWITCH	1	1	1	1				
13	2	128270-91350	BUZZER, ALARM	1	1	1	1				
14	2	128270-91360	PACKING, BUZZER	4	4	4	4				
15	2	128170-91810	SCREW M5	4	4	4	4				
16	2	128170-91820	WASHER 5	4	4	4	4				
17	2	128170-91830	PLATE NUT M5	4	4	4	4				
18	1	128391-77860	HARNESS, WIRE	1	1	1	1				

Fig.52. INSTRUMENT PANEL(A-TYPE,SAIL,O

(A)=2GM20-YEU
(B)=2GM20C-YEU
(C)=2GM20F-YEU

(D)=2GM20FC-YEU
(E)=
(F)=

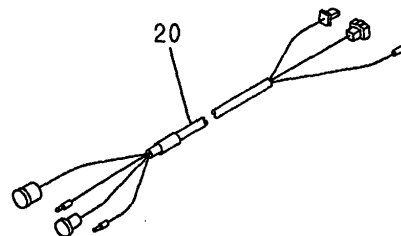
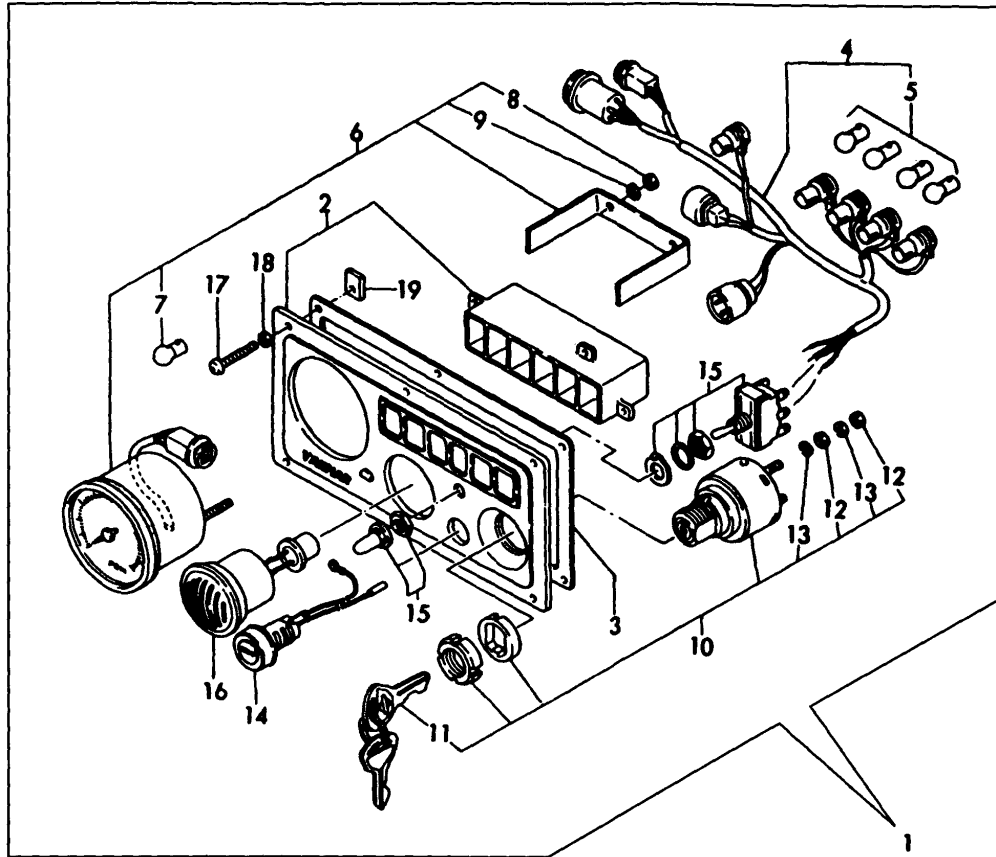
Fig. 52 計器盤 (Aタイプ, セイル, オプション)
INSTRUMENT PANEL (A-TYPE, SAIL, OPTIONAL)



REF.	LEV.	PARTS NO.	DESCRIPTION	QTY						
				(A)	(B)	(C)	(D)	(E)	(F)	
1	1	128371-91000	PANEL ASSY, INSTRUM		1		1			
2	2	128270-91010	HOUSING, PANEL		1		1			
3	2	128270-91020	PACKING		1		1			
4	2	128371-91030	HARNES, WIRE		1		1			
5	2	128270-91040	LAMP, PILOT		4		4			
6	3	46150-001110	BULB(12V3W/G11.BA9S)		4		4			
7	2	124070-91250	SWITCH W/KEY		1		1			
8	3	124070-91290	KEY, SWITCH		1		1			
9	3	26716-050002	NUT M 5		4		4			
10	3	22217-050000	SPRING WASHER 5		4		4			
11	2	124070-91300	SWITCH		1		1			
12	2	128270-91350	BUZZER, ALARM		1		1			
13	2	128270-91360	PACKING, BUZZER		1		1			
14	2	128170-91810	SCREW M5		4		4			
15	2	128170-91820	WASHER 5		4		4			
16	2	128170-91830	PLATE NUT M5		4		4			

Fig.53. INSTRUMENT PANEL(B-TYPE,OPTION

Fig.53 計器盤 (Bタイプ, オプション)
INSTRUMENT PANEL (B-TYPE, OPTIONAL)



(A)=2GM20-YEU
(B)=2GM20C-YEU
(C)=2GM20F-YEU

(D)=2GM20FC-YEU
(E)=
(F)=

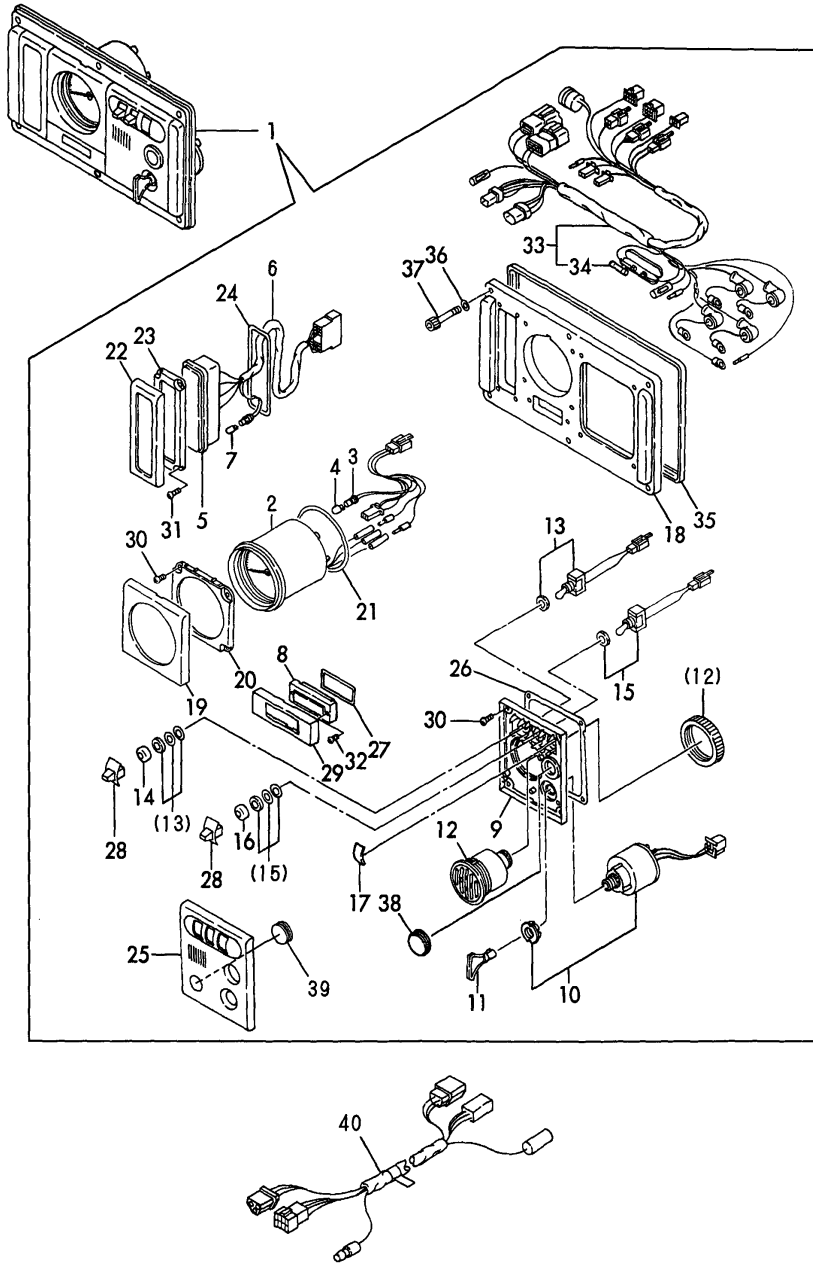
REF.	LEV.	PARTS NO.	DESCRIPTION	QTY						I	R
				(A)	(B)	(C)	(D)	(E)	(F)		
1	1	128170-91001	PANEL ASSY, INSTRUM	1	1	1	1				
2	2	128170-91010	HOUSING, PANEL	1	1	1	1				
3	2	128170-91020	GASKET	1	1	1	1				
4	2	128170-91031	HARNES, WIRE	1	1	1	1				
5	3	46150-001110	BULB(12V3W/G11.BA9S)	4	4	4	4				
6	2	128170-91100	TACHOMETER (P=97)	1	1	1	1				
7	3	46150-001110	BULB(12V3W/G11.BA9S)	1	1	1	1				
8	3	26716-050002	NUT M 5	2	2	2	2				
9	3	22217-050000	SPRING WASHER 5	2	2	2	2				
10	2	124070-91250	SWITCH W/KEY	1	1	1	1				
11	3	124070-91290	KEY, SWITCH	1	1	1	1				
12	3	26716-050002	NUT M 5	4	4	4	4				
13	3	22217-050000	SPRING WASHER 5	4	4	4	4				
14	2	124070-91300	SWITCH	1	1	1	1				
15	2	128170-91310	SWITCH, LAMP	1	1	1	1				
16	2	104271-91351	BUZZER	1	1	1	1				
17	2	128170-91810	SCREW M5	6	6	6	6				
18	2	128170-91820	WASHER 5	6	6	6	6				
19	2	128170-91830	PLATE NUT M5	6	6	6	6				
20	1	128391-77860	HARNES, WIRE	1	1	1	1				

Fig.54. INSTRUMENT PANEL(B-TYPE,NEW,OP

(A)=2GM20-YEU
(B)=2GM20C-YEU
(C)=2GM20F-YEU

(D)=2GM20FC-YEU
(E)=
(F)=

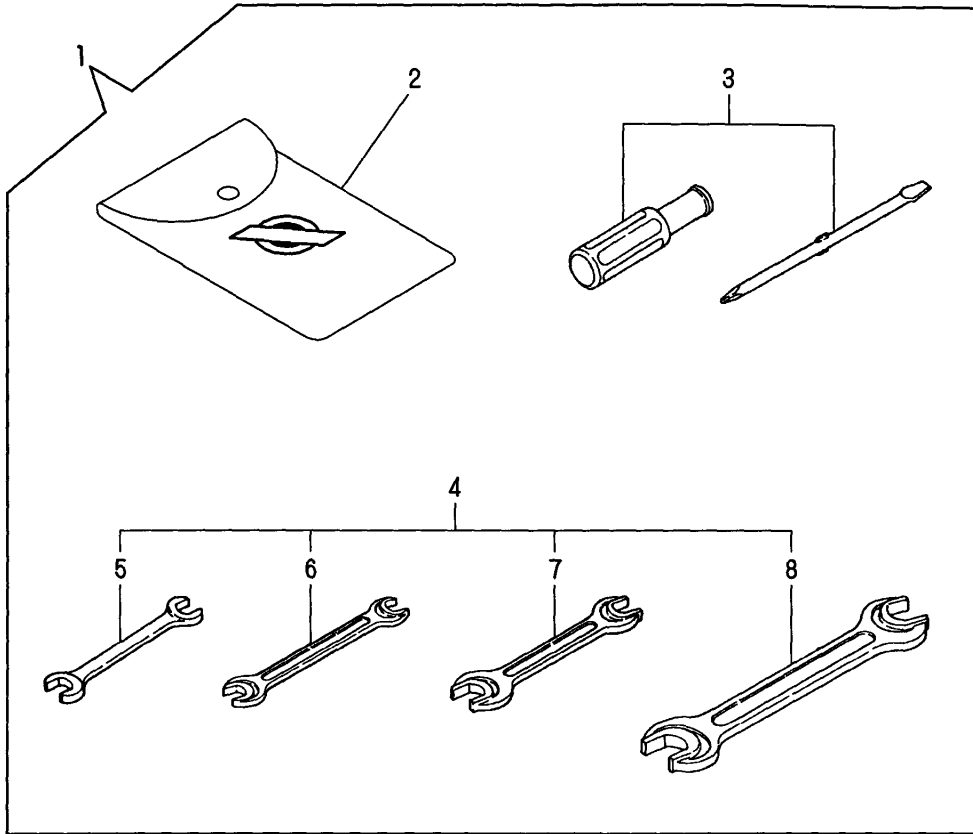
Fig. 54 計器盤 (Bタイプ, 新形, オプション)
INSTRUMENT PANEL (B-TYPE, NEW, OPTIONAL)



REF.	LEV.	PARTS NO.	DESCRIPTION	QTY						I	R
				(A)	(B)	(C)	(D)	(E)	(F)		
1	1	128391-91130	PANEL ASSY, INSTRUM	1	1	1	1				
2	2	128391-91200	METER, TACHO./HOUR	1	1	1	1				
3	2	129574-91870	WIRE	1	1	1	1				
4	2	124617-91980	BULB	1	1	1	1				
5	2	128391-91260	BOX ASSY, LAMP	1	1	1	1				
6	2	128391-91860	WIRE	1	1	1	1				
7	2	124617-91980	BULB	5	5	5	5				
8	2	129170-91650	COVER	1	1	1	1				
9	2	129574-91410	BRACKET	1	1	1	1				
10	2	121575-91250	SWITCH W/KEY	1	1	1	1				
11	2	123482-91291	KEY, SWITCH	1	1	1	1				
12	2	104271-91352	BUZZER	1	1	1	1				
13	2	129170-91800	SWITCH	1	1	1	1				
14	2	129574-91780	CAP	1	1	1	1				
15	2	129574-91790	SWITCH	1	1	1	1				
16	2	129574-91780	CAP	1	1	1	1				
17	2	129170-91810	BLIND	1	1	1	1				
18	2	128391-91930	PANEL	1	1	1	1				
19	2	129574-91620	COVER	1	1	1	1				
20	2	129574-91420	BRACKET	1	1	1	1				
21	2	129574-91720	GASKET	1	1	1	1				
22	2	128391-91640	COVER	1	1	1	1				
23	2	128391-91440	PLATE	1	1	1	1				
24	2	128391-91740	GASKET	1	1	1	1				
25	2	120324-91610	COVER	1	1	1	1				
26	2	129574-91710	GASKET	1	1	1	1				
27	2	129574-91750	GASKET	1	1	1	1				
28	2	129574-91770	KNOB	2	2	2	2				
29	2	129574-91650	COVER	1	1	1	1				
30	2	127692-91410	SCREW	8	8	8	8				
31	2	127692-91440	SCREW	4	4	4	4				
32	2	127692-91450	SCREW	2	2	2	2				
33	2	128391-91850	HARNESS, WIRE	1	1	1	1				
34	3	124617-91990	FUSE (3A)	1	1	1	1				
35	2	128391-91700	PACKING	1	1	1	1				
36	2	127687-91880	WASHER	6	6	6	6				
37	2	127687-91870	BOLT 6X 35	6	6	6	6				
38	2	120324-91690	BLIND	1	1	1	1				
39	2	129574-91760	BLIND	1	1	1	1				
40	1	128391-77700	HARNESS, WIRE(3M)	1	1	1	1				

Fig.55. TOOL

Fig.55 工具
TOOL



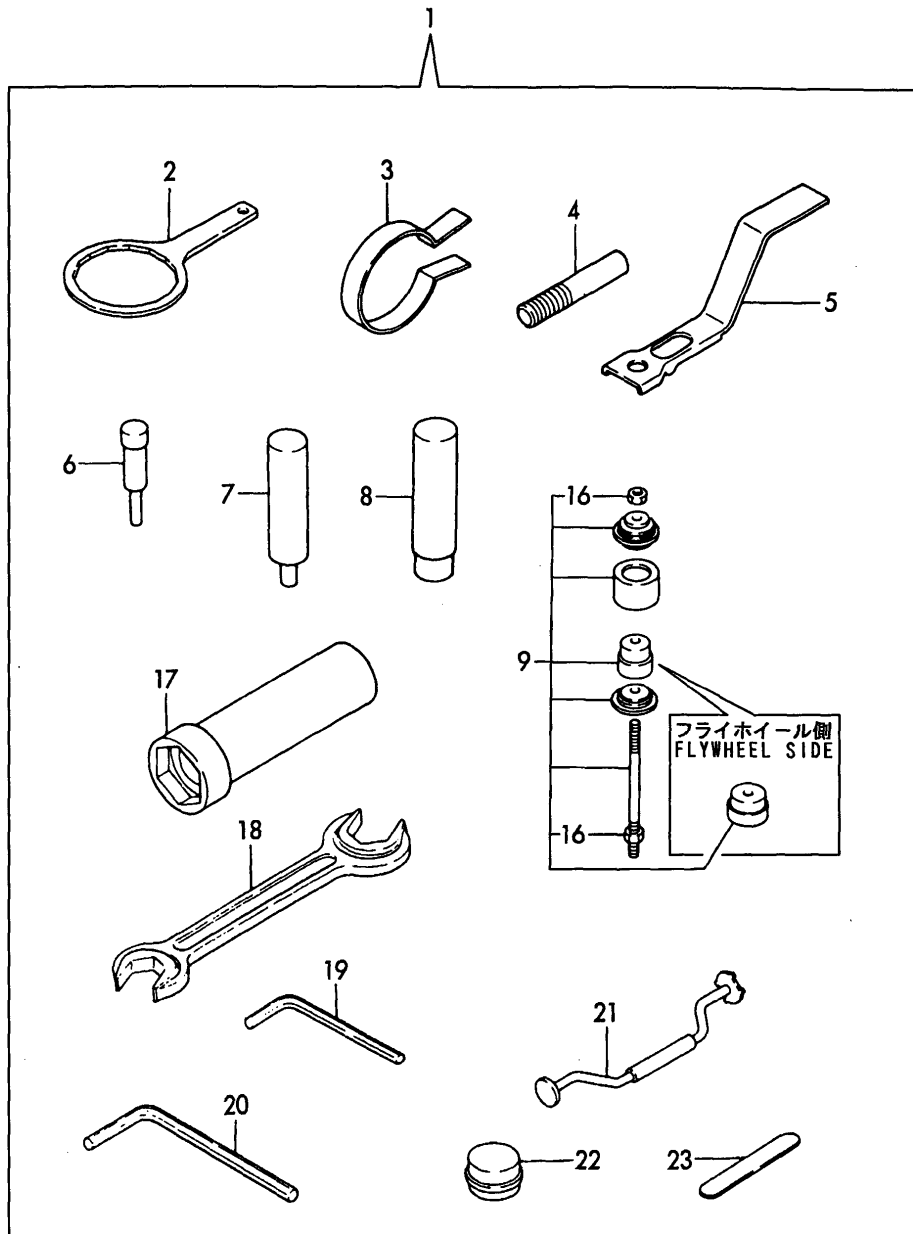
(A)=2GM20-YEU
(B)=2GM20C-YEU
(C)=2GM20F-YEU

(D)=2GM20FC-YEU
(E)=
(F)=

REF.	LEV.	PARTS NO.	DESCRIPTION	Q'TY						I	R
				(A)	(B)	(C)	(D)	(E)	(F)		
1	1	129270-92100	TOOL BOX SET	1	1	1	1				
2	2	129270-92600	TOOL BAG	1	1	1	1				
3	2	129270-92650	DRIVER	1	1	1	1				
4	2	129270-92690	SPANNER SET	1	1	1	1				
5	3	129270-92610	SPANNER 10X13	1	1	1	1				
6	3	129270-92620	SPANNER 12X14	1	1	1	1				
7	3	129270-92630	SPANNER 17X19	1	1	1	1				
8	3	129270-92640	SPANNER 22X24	1	1	1	1				

Fig.56. SPECIAL TOOL(OPTIONAL)

Fig. **56** 特殊工具 (オプション)
SPECIAL TOOL (OPTIONAL)



(A)=2GM20-YEU
(B)=2GM20C-YEU
(C)=2GM20F-YEU

(D)=2GM20FC-YEU
(E)=
(F)=

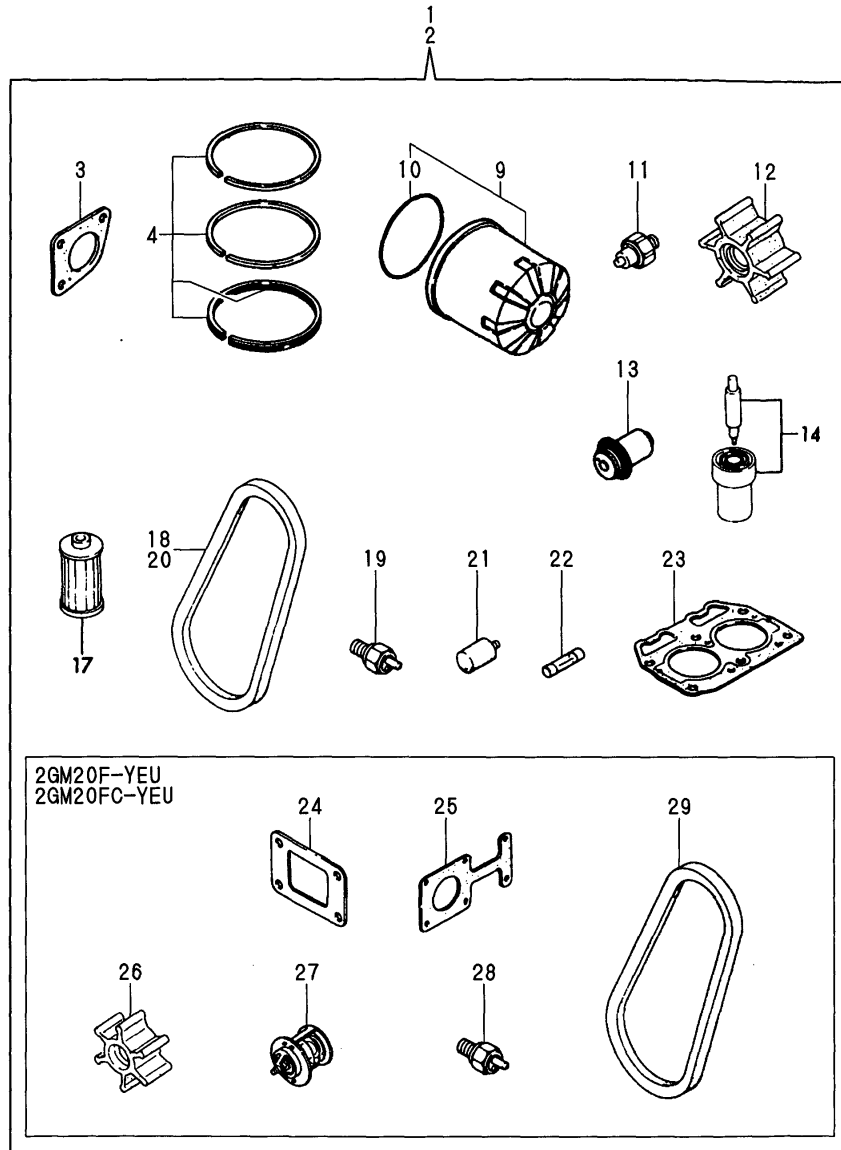
REF.	LEV.	PARTS NO.	DESCRIPTION	QTY						I	R
				(A)	(B)	(C)	(D)	(E)	(F)		
1	1	728270-92401	TOOL, ASSY, SPECIAL	1	1	1	1				
2	2	119640-92750	WRENCH, FILTER	1	1	1	1				
3	2	101200-92140	TOOL, PISTON&RING	1	1	1	1				
4	2	101104-92180	PULLER, NOZZLE	1	1	1	1				
5	2	124085-92210	REMOVER, VALVE	1	1	1	1				
6	2	124085-92250	REMOVER, VALVE GUIDE	1	1	1	1				
7	2	124085-92260	REMOVER, PISTON PIN	1	1	1	1				
8	2	124085-92270	REMOVER, PIN BUSH	1	1	1	1				
9	2	124085-92400	REPLACER, MAIN BERG.	1	1	1	1				
16	3	26716-160002	NUT M16	2	2	2	2				
17	2	124085-92700	WRENCH	1	1	1	1				
18	2	28110-270300	WRENCH 27X30	1	1	1	1				
19	2	28150-040000	BAR WRENCH	1	1	1	1				
20	2	28150-050000	BAR WRENCH	1	1	1	1				
21	2	28210-000031	RAPPING TOOL	1	1	1	1				
22	2	28210-000070	LAPPING POWDER	1	1	1	1				
23	2	28312-200750	THICKNESS GAUGE	1	1	1	1				

Fig.57. REPAIR PARTS(OPTIONAL)

(A)=2GM20-YEU
(B)=2GM20C-YEU
(C)=2GM20F-YEU

(D)=2GM20FC-YEU
(E)=
(F)=

Fig.57 スペアパーツ (オプション)
REPAIR PART (OPTIONAL)



REF.	LEV.	PARTS NO.	DESCRIPTION	QTY						I	R
				(A)	(B)	(C)	(D)	(E)	(F)		
1	1	728271-92500	REPAIR SET	1	1						
2	1	728291-92500	REPAIR SET				1	1			
3	2	128170-13201	GASKET, EXHAUST	1	1						
4	2	705311-22500	RING SET	2	2	2	2				
9	2	119660-35150	FILTER, LUB. OIL	1	1	1	1				
9-1	2	119305-35151	FILTER ASSY, LUB.OIL	1	1	1	1				N 1
10	3	124450-35110	O-RING, L.O.STRAINER	1	1	1	1				Z
11	2	124060-39451	SWITCH,OIL PRESSURE	1	1	1	1				
11-1	2	124060-39452	SENDER,OIL PRESSURE	1	1	1	1				N
12	2	104211-42070	IMPELLER, C. WATER	1	1						
13	2	105582-49200	THERMOSTAT	1	1						
14	2	124770-53000	NOZZLE ASSY,F.INJECT	2	2	2	2				
17	2	104500-55710	ELEMENT, FUEL	1	1	1	1				
18	2	104511-78780	V-BELT,M19	1	1	1	1				
19	2	128275-91340	SWITCH	1	1						
20	2	25132-003100	V-BELT	1	1						
21	2	27210-200300	ZINC, ANTI-CORROSIVE	2	2						
22	2	46150-003680	FUSE 30A	1	1	1	1				
23	2	128271-01911	GASKET, CYL. HEAD	1	1	1	1				
24	2	128370-13201	GASKET					1	1		
25	2	128290-13251	GASKET					1	1		
26	2	128296-42070	IMPELLER,C.WATER					1	1		
27	2	121750-49800	THERMOSTAT					1	1		
28	2	127610-91350	SWITCH, THERMO					1	1		
29	2	25132-003700	V-BELT A37					1	1		

2GM20F-YEU
2GM20FC-YEU

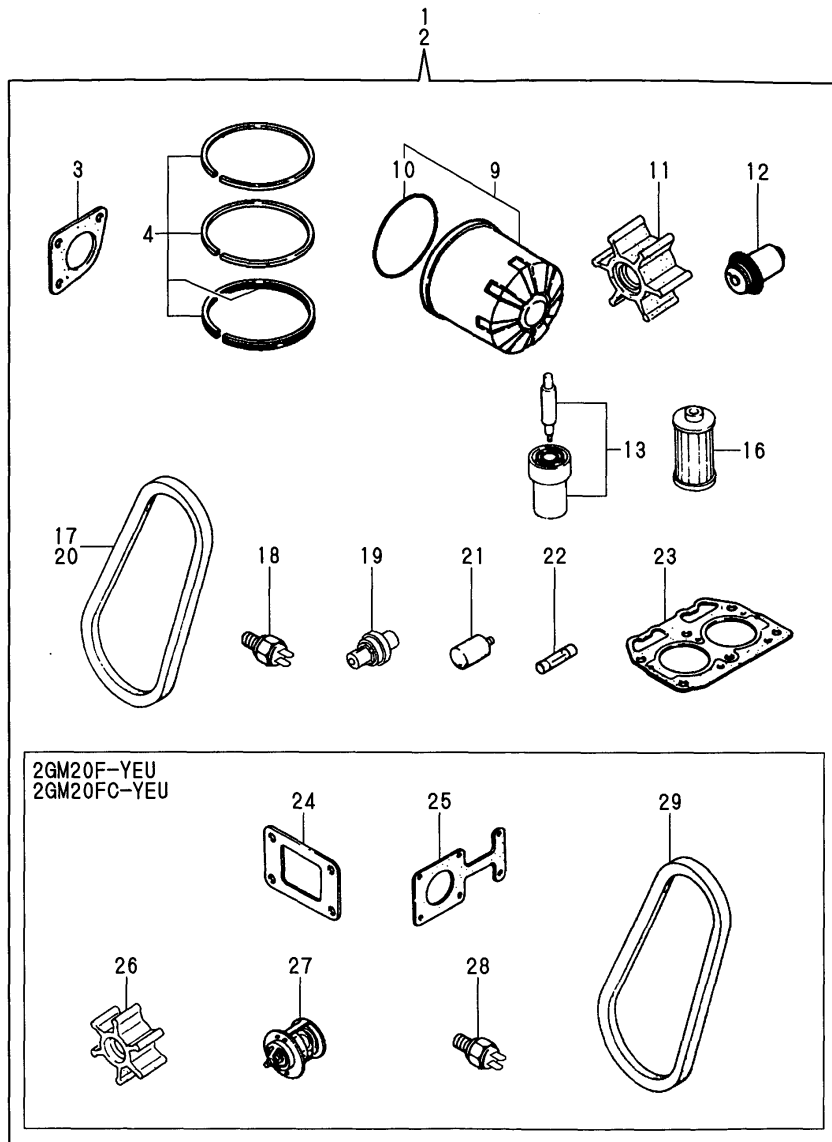
Remarks
(1)O-ring is integrated type.
(integrated to the LO.filter)

Fig.58. REPAIR PARTS(2-POLE TYPE,OPTI

(A)=2GM20-YEU
(B)=2GM20C-YEU
(C)=2GM20F-YEU

(D)=2GM20FC-YEU
(E)=
(F)=

Fig.58 スペアパーツ (2線式, オプション)
REPAIR PART(2-POLE TYPE, OPTIONAL)

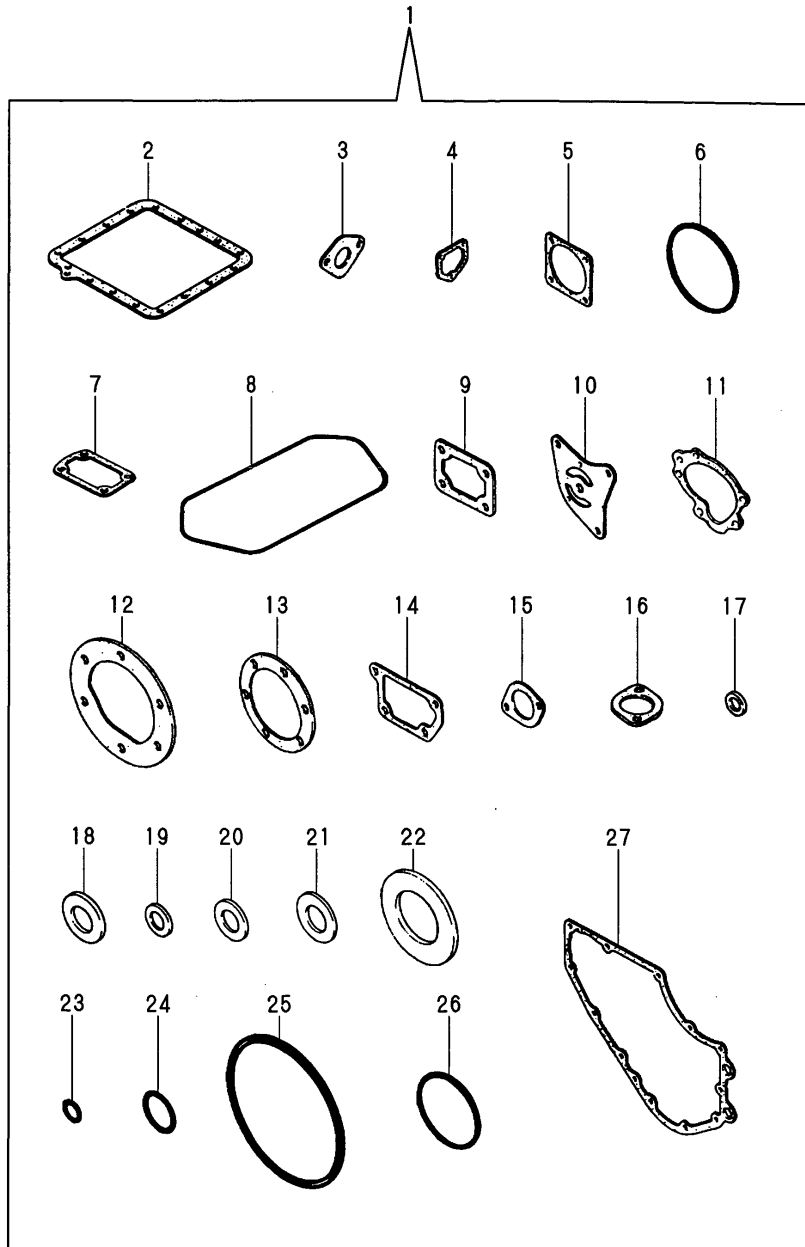


REF.	LEV.	PARTS NO.	DESCRIPTION	QTY						I	R
				(A)	(B)	(C)	(D)	(E)	(F)		
1	1	728277-92500	REPAIR PART ASSY	1	1						
2	1	728297-92500	REPAIR PART ASSY								
3	2	128170-13201	GASKET, EXHAUST	1	1						
4	2	705311-22500	RING SET	1	1	1	1				
9	2	119660-35150	FILTER, LUB. OIL	1	1	1	1				
9-1	2	119305-35151	FILTER ASSY, LUB.OIL	1	1	1	1				N 1
10	3	124450-35110	O-RING, L.O.STRAINER	1	1	1	1				Z
11	2	104211-42070	IMPELLER, C. WATER	1	1						
12	2	105582-49200	THERMOSTAT	1	1						
13	2	124770-53000	NOZZLE ASSY,F.INJECT	2	2	2	2				
16	2	104500-55710	ELEMENT, FUEL	1	1	1	1				
17	2	104511-78780	V-BELT,M19	1	1	1	1				
18	2	128271-91320	SWITCH, THERMO.	1	1						
19	2	126630-91591	SWITCH,OIL PRESSURE	1	1	1	1				
20	2	25132-003100	V-BELT	1	1						
21	2	27210-200300	ZINC, ANTI-CORROSIVE	2	2						
22	2	46150-003680	FUSE 30A	1	1	1	1				
23	2	128271-01911	GASKET, CYL. HEAD	1	1	1	1				
24	2	128370-13201	GASKET			1	1				
25	2	128290-13251	GASKET			1	1				
26	2	128296-42070	IMPELLER,C,WATER			1	1				
27	2	121750-49800	THERMOSTAT			1	1				
28	2	119173-91320	SWITCH, THERMO(95 C			1	1				
29	2	25132-003700	V-BELT A37			1	1				

Remarks
(1)O-ring is integrated type.
(integrated to the LO.filter)

Fig.59. GASKET SET(OPTIONAL)

Fig.59 パッキンセット (オプション)
GASKET SET (OPTIONAL)



OCR10-G47101 59. GASKET SET(OPTIONAL)

(A)=2GM20-YEU
(B)=2GM20C-YEU
(C)=2GM20F-YEU

(D)=2GM20FC-YEU
(E)=
(F)=

REF.	LEV.	PARTS NO.	DESCRIPTION	Q'TY						I	R
				(A)	(B)	(C)	(D)	(E)	(F)		
1	1	728277-92600	GASKET SET	1	1	1	1				
2	2	124000-01751	GASKET, (NON-ASB.)	1	1	1	1				
3	2	121520-01851	GASKET, (NON-ASB.)	1	1	1	1				
4	2	121575-01861	GASKET, (NON-ASB.)	1	1	1	1				
5	2	124240-01883	GASKET, (NON-ASB.)	1	1	1	1				
6	2	105225-02020	O-RING	1	1	1	1				
7	2	121000-03070	GASKET	1	1	1	1				
8	2	128270-11310	GASKET, BONNET	1	1	1	1				
9	2	121450-11681	GASKET, (NON-ASB.)	1	1	1	1				
10	2	121450-32021	GASKET, L.O.PUMP	1	1	1	1				
11	2	121000-42051	GASKET, C.W.PUMP	1	1	1	1				
12	2	104211-42090	GASKET	1	1	1	1				
13	2	124223-42110	GASKET	1	1	1	1				
14	2	121450-44410	GASKET, BRACKET	1	1	1	1				
15	2	104211-49160	PACKING	1	1	1	1				
16	2	124736-49540	GASKET, THERMO.	1	1	1	1				
17	2	22190-060002	SEAL WASHER 6S	2	2	2	2				
18	2	22190-120002	SEAL WASHER 12	2	2	2	2				
19	2	23414-080000	GASKET 8, ROUND	20	20	20	20				
20	2	23414-100000	GASKET 10, ROUND	5	5	5	5				
21	2	23414-120000	GASKET 12, ROUND	20	20	20	20				
22	2	23414-250000	GASKET 25,ROUND	5	5	5	5				
23	2	24311-000100	O-RING 1A P-10.0	2	2	2	2				
24	2	24311-000160	O-RING 1A P-16.0	1	1	1	1				
25	2	24311-000700	O-RING 1A P-70.0	2	2	2	2				
26	2	24321-000350	O-RING 1A G-35.0	1	1	1	1				
27	2	121575-01511	GASKET, (NON-ASB.)	1	1	1	1				

Part Number Index

All parts are stipulated in the order of part numbers.

(Depending on the area in which the part is used.)

This index will display the location of the part according to each part number.

PARTS No. INDEX

PARTS No.	Fig.	Ref.No.
101104-92180	56	4
101147-11900	11	48
	12	46
101147-59810	38	10
101158-11230	11	39
	12	37
101200-92140	56	3
101720-55750	35	7
		21
103338-11430	11	44
	12	42
103854-51251	32	25
103854-51660	32	34
103854-53100	34	6
103854-53180	34	11
103854-59191	37	2
103854-59201	37	3
104200-11180	11	18
	12	18
104200-14200	16	5
		16
104211-11370	11	11
	12	11
104211-42070	57	12
	58	11
104211-42090	59	12
104211-42130	40	1
104211-49160	29	4
	59	15
104211-53120	34	8
104214-13580	15	2
		16
104214-83980	45	12
104264-59020	37	1
		18
104264-59030	33	3
	37	19
104271-67550	42	28
104271-91351	53	16
104271-91352	54	12
104500-55710	35	3
		17
	57	17
	58	16
104511-78780	24	29
	57	18
	58	17
105225-01900	48	26
105225-02020	6	5
	59	6

PARTS No.	Fig.	Ref.No.
105225-02300	6	14
105225-11100	11	7
	12	7
105225-11110	11	8
	12	8
105225-11350	11	12
	12	12
105225-22300	18	8
105225-22400	18	9
105225-23180	18	26
105225-23200	18	21
105300-61200	40	4
105311-01090	1	5
105311-11420	11	42
	12	40
105311-22090	18	1
105311-23380	18	24
105311-59500	38	5
105311-67100	43	15
105311-67200	43	2
105500-51300	32	7
105582-49200	29	5
	57	13
	58	12
105582-59150	33	4
	37	20
105583-49910	1	24
105583-85900	45	11
110250-53150	34	10
110250-55610	35	5
		19
113200-53110	34	7
113200-53120	34	9
119173-91320	50	14
	58	28
119305-35151	19	27 -1
	57	9 -1
	58	9 -1
119370-59040	38	3 -1
119593-39450	38	1
		1 -1
119620-49290	1	23 -1
	26	10 -1
119640-92750	56	2
119660-35150	19	27
	57	9
	58	9
120130-49350	1	23
	26	10
120270-77101	50	7

PARTS No.	Fig.	Ref.No.
120324-91610	54	25
120324-91690	54	38
121000-01850	2	17
	3	17
121000-03021	7	1
121000-03070	59	7
121000-03071	7	2
121000-11050	11	17
	12	17
121000-42051	25	2
	59	11
121000-42100	25	3
121000-61600	40	17
121000-66090	41	3
121150-35100	19	19
121250-77210	49	24
121370-55730	35	4
		18
121450-01203	1	20
121450-01210	1	6
121450-01220	1	7
121450-01560	3	3
121450-01801	2	12
	3	12
121450-01951	2	23
	3	22
121450-01960	1	13
121450-01980	1	14
121450-01990	1	11
121450-02071	6	13
121450-02100	1	15
	6	7
121450-02110	6	3
121450-02160	6	10
121450-02310	1	34
	6	17
121450-02320	6	15
121450-02370	6	16
121450-11260	11	49
	12	48
121450-11270	11	50
	12	49
121450-11670	12	19
121450-11681	11	20
	12	20
	59	9
121450-14400	16	6
		17
121450-21541	17	8
121450-32021	19	1

PARTS No.	Fig.	Ref.No.
121450-32021	59	10
121450-32050	19	4
121450-32060	19	5
121450-32200	19	11
121450-42240	25	6
121450-42260	25	7
121450-42310	25	8
121450-44410	25	16
	29	1
	59	14
121450-51550	32	27
121465-59950	36	15
121520-01851	33	1
	59	3
121550-11280	11	32
	12	30
121550-11290	11	33
	12	31
121574-21500	17	14
121574-86320	4	6
	43	8
121575-01511	2	6
	3	6
	59	27
121575-01861	2	18
	3	18
	59	4
121575-07240	9	2
121575-11121	11	9
	12	9
121575-11670	11	19
121575-32090	19	2
121575-49310	28	3
121575-61161	40	12
121575-61220	40	5
121575-61620	40	18
121575-61720	40	20
121575-66051	41	2
121575-66200	41	6
121575-66310	40	21
121575-66510	42	2
121575-66520	42	4
121575-66550	42	5
121575-66580	42	6
121575-66800	41	10
	42	19
121575-66850	41	11
121575-91250	54	10
121750-49800	29	12
	57	27

PARTS No. INDEX

PARTS No.	Fig.	Ref.No.
121750-49800	58	27
121750-59890	30	4
	37	14
122410-61650	40	16
122780-09320	11	22
123210-09310	1	17
	11	23
123310-77640	47	28
123372-03150	9	4
123372-59100	36	1
123482-91291	54	11
123682-07851	8	6
123682-44201	26	6
124000-01751	5	2
	59	2
124000-11240	11	51
	12	27
124000-13201	15	1
124000-14090	16	2
		13
124060-01050	1	4
	2	5
	3	5
124060-11160	11	4
	12	4
124060-39451	20	7
	57	11
124060-39452	20	7 -1
	57	11 -1
124060-59380	37	4
124070-13300	15	13
124070-13520	15	12
124070-14760	16	7
124070-42400	24	25
124070-59060	39	1
124070-59110	38	3
124070-59130	39	2
124070-77950	50	3
124070-91250	51	8
	52	7
	53	10
124070-91290	51	9
	52	8
	53	11
124070-91300	51	12
	52	11
	53	14
124085-01900	1	9
124085-02220	6	4
124085-35300	19	20

PARTS No.	Fig.	Ref.No.
124085-35350	19	26
124085-51500	32	26
124085-92210	56	5
124085-92250	56	6
124085-92260	56	7
124085-92270	56	8
124085-92400	56	9
124085-92700	56	17
124101-49530	29	10
124160-01751	13	10
124160-11360	13	13
124160-39140	20	1
124160-49480	1	26
	26	11
124220-09340	8	8
124220-51890	32	33
124223-42110	59	13
124223-49050	30	1
		7
		10
	31	7
124240-01871	1	27
124240-01883	1	28
	59	5
124250-03640	42	1
124450-35070	19	13
124450-35110	19	28
	57	10
	58	10
124450-39240	20	6
	37	17
124460-77680	1	32
	26	20
124550-51320	32	11
124550-51341	32	12
124550-51350	32	10
124550-51370	32	13
124550-51590	32	28
124550-59820	20	8
124550-77030	47	23
124617-91980	54	4
		7
124617-91990	54	34
124736-49540	29	11
	59	16
124770-49040	28	2
124770-53000	34	2
	57	14
	58	13
124770-77940	50	2

PARTS No.	Fig.	Ref.No.
124790-44560	26	28
124790-55601	35	1
		15
124790-77330	49	25
124950-01951	2	21
	3	21
124950-11340	11	10
	12	10
124950-11450	11	45
	12	43
124950-21600	17	13
124950-51190	32	15
124950-51270	32	6
124950-51450	32	36
124950-51510	32	14
124950-51640	32	30
124950-51670	32	31
126630-91591	50	13
	58	19
127610-91350	29	13
	57	28
127687-91870	54	37
127687-91880	54	36
127692-91410	54	30
127692-91440	54	31
127692-91450	54	32
128170-01600	4	1
128170-01830	2	15
128170-07850	8	7
128170-13201	14	10
	57	3
	58	3
128170-13530	14	11
128170-14150	16	4
		15
128170-49081	30	2
128170-49150	29	3
128170-51101	32	3
128170-53080	34	5
128170-66870	42	20
128170-66880	42	21
128170-66890	42	22
128170-76790	16	21
128170-77010	47	1
128170-86300	4	5
128170-86500	44	1
128170-91001	53	1
128170-91010	53	2
128170-91020	53	3
128170-91031	53	4

PARTS No.	Fig.	Ref.No.
128170-91100	53	6
128170-91160	4	11
128170-91310	53	15
128170-91810	51	15
	52	14
	53	17
128170-91820	51	16
	52	15
	53	18
128170-91830	51	17
	52	16
	53	19
128171-07150	8	9
128171-22250	18	10
128171-77250	49	32
128171-81110	46	3
128171-81120	46	1
128171-81130	46	2
128270-01450	1	25
128270-01720	5	1
128270-01820	2	13
	3	13
128270-01890	1	22
128270-03200	7	4
128270-03610	13	3
128270-03640	13	5
128270-03750	13	4
128270-09300	1	16
128270-11310	13	12
	59	8
128270-12700	14	8
128270-13600	15	3
128270-13610	15	4
128270-13650	15	5
128270-14010	16	1
		12
128270-21651	17	9
128270-34800	20	11
128270-35090	19	14
128270-39200	20	2
128270-49020	27	7
128270-49050	27	3
128270-49100	29	2
128270-49250	15	6
128270-55610	35	11
128270-59100	38	2
128270-59120	38	4
128270-66010	41	1
128270-66550	42	14
128270-67100	43	1

PARTS No. INDEX

PARTS No.	Fig.	Ref.No.
128270-77200	49	1
128270-91001	51	1
128270-91010	51	2
	52	2
128270-91020	51	3
	52	3
128270-91031	51	4
128270-91040	51	5
	52	5
128270-91230	51	7
128270-91350	51	13
	52	12
128270-91360	51	14
	52	13
128271-01911	1	33
	57	23
	58	23
128271-08150	10	6
128271-08160	10	7
128271-21590	17	11
128271-49450	30	3
128271-77330	48	21
128271-77340	48	24
128271-77922	50	1
128271-91320	50	12
	58	18
128272-11170	11	5
	12	5
128275-11410	11	41
	12	39
128275-11490	11	46
	12	44
128275-11500	11	47
	12	45
128275-39710	21	1
128275-91340	29	6
	57	19
128277-07500	8	12
128277-08150	10	6 -1
128277-08160	10	7 -1
128277-12711	14	5
128277-35090	19	14 -1
128277-53300	34	13
128277-59500	38	5 -1
128277-59810	36	3
128277-59820	36	9
128290-13251	26	25
	57	25
	58	25
128290-49510	28	4

PARTS No.	Fig.	Ref.No.
128291-49020	28	11
128291-49250	30	8
128296-07190	8	13
128296-07260	8	10
128296-07300	8	4
128296-07350	8	11
128296-07400	8	14
128296-07420	8	15
128296-07450	8	16
128296-07460	8	17
128296-42070	57	26
	58	26
128296-59550	37	7
128296-59900	37	8
128296-59901	37	8 -1
128296-59940	37	9
128297-44010	26	2
128297-44050	26	3
128297-44400	26	7
128297-44490	26	7 A
128297-44900	26	1
128297-49320	26	19 -1
128370-11290	11	34
	12	32
128370-13201	14	14
	15	11
	57	24
	58	24
128370-13610	15	17
128370-49020	27	2
128370-59040	38	3 -2
128370-59120	38	4 -1
128370-59130	38	2 -1
128371-01601	4	2
128371-91000	52	1
128371-91030	52	4
128377-07150	8	2
128377-07260	8	3
128377-07350	8	5
128377-08100	10	1
128377-08120	10	2
128377-08130	10	3
128377-08340	10	8
128377-08350	10	9
		10
128377-12500	14	1
128377-12530	14	4
128377-35030	19	19 -1
128377-42150	24	24
128377-42500	24	1

PARTS No.	Fig.	Ref.No.
128377-42520	24	11 -1
128377-49010	27	1
128377-49080	31	1
128377-59560	38	9
128377-59850	38	13
128377-59851	38	13 -1
128377-59860	38	1 -2
128377-67580	43	7
128391-77700	54	40
128391-77820	50	10
128391-77860	51	18
	53	20
128391-91130	54	1
128391-91200	54	2
128391-91260	54	5
128391-91440	54	23
128391-91640	54	22
128391-91700	54	35
128391-91740	54	24
128391-91850	54	33
128391-91860	54	6
128391-91930	54	18
128397-13530	14	15
128397-42500	24	2
128397-44060	26	4
128397-44500	26	26
128397-44510	26	27
128397-44600	26	8
128397-49310	26	9 -1
128670-01830	3	15
128690-49010	28	1
128690-49250	15	18
128690-49310	26	9
128695-07230	9	1
128695-42010	25	1
128695-42350	25	15
128695-44090	26	5
128695-49520	28	5
128695-49530	28	6
128695-77210	49	30
129100-01580	1	10
	17	4
129170-91650	54	8
129170-91800	54	13
129170-91810	54	17
129270-92100	55	1
129270-92600	55	2
129270-92610	55	5
129270-92620	55	6
129270-92630	55	7

PARTS No.	Fig.	Ref.No.
129270-92640	55	8
129270-92650	55	3
129270-92690	55	4
129301-52020	33	2
129350-01230	1	21
129350-14100	16	3
		14
129350-21200	17	7
129350-42200	25	5
129470-59120	37	6
129470-59122	37	6 -1
129470-59540	37	21
		22
129470-59542	37	21 -1
		22 -1
129470-67560	42	29
129574-91410	54	9
129574-91420	54	20
129574-91620	54	19
129574-91650	54	29
129574-91710	54	26
129574-91720	54	21
129574-91750	54	27
129574-91760	54	39
129574-91770	54	28
129574-91780	54	14
		16
129574-91790	54	15
129574-91870	54	3
129590-59200	50	8
129670-44570	26	29
129670-49290	26	5 -1
129772-77200	48	1
129772-77250	48	28
129772-77260	48	29
	49	33
129772-77270	48	30
	49	34
129772-77280	48	31
	49	35
129795-08340	10	11
135210-51900	35	9
		23
135210-61090	42	26
138603-59380	39	4
171051-01921	1	19
172100-53200	34	12
174100-54120	32	23
174307-51170	32	16
174307-51181	32	17

PARTS No. INDEX

PARTS No.	Fig.	Ref.No.
174307-51460	32	37
174307-51700	32	24
177070-03501	17	15
177074-06350	50	6
177088-02430	8	1
194555-62750	50	9
41710-000380	44	3
41710-000410	4	10
	43	14
41730-000681	44	2
43662-010030	31	5
43662-015020	31	8
43666-020951	31	6
45414-500260	45	10
46150-001110	51	6
	52	6
	53	5
		7
46150-003680	50	5
	57	22
	58	22
48110-025063	45	4
48110-028063	45	6
48110-032411	45	5
48110-522361	45	7
705311-22500	18	3
	57	4
	58	4
705311-23600	18	22
705325-22540	18	12
711100-51540	32	20
721450-02500	6	1
721450-02612	6	8
721500-61560	40	6
724085-11650	11	35
	12	33
724085-21701	17	1
724550-51520	32	18
728171-23100	18	17
728270-01610	3	1
728270-11520	13	1
728270-92401	56	1
728271-51101	32	1
728271-92500	57	1
728272-11700	11	1
728277-01560	1	1
728277-01610	2	1
728277-53100	34	1
728277-92500	58	1
728277-92600	59	1

PARTS No.	Fig.	Ref.No.
728291-11700	12	1
728291-92500	57	2
728297-01560	1	2
728297-92500	58	2
728695-43500	25	10
771016-61620	40	2
83213-003012	39	7
977780-01200	23	1
977780-01210	22	1
977780-01230	22	2
	23	2
977780-01240	23	3
977780-01250	22	3
977780-03000	22	9
	23	9
X0044021509	22	7
	23	7
X0142398	24	22
X0145050	24	23
X0146496	24	7
X0146541	24	5
X0146542	24	7 -1
X0501133	24	8
X0504124	24	21
X0504163	24	11
X0505527	24	12
X0505528	24	13
X0506513	24	14
X0506523	24	15
X0506597	24	15 -1
X0508124	24	16
X0508130	24	17
X0529139	24	18
X0534501	24	19
X0534511	24	20
X08810B	24	6
X179100011X	23	5
X179100021X	22	5
X179100100X	22	6
	23	6
X199903800X	22	8
	23	8
X211413005	47	8
X211415006	47	14
X21142835	47	21
X2114314	47	12
X21143215	47	6
X211433101	47	10
X21144454	47	13
X21144661	47	16

PARTS No.	Fig.	Ref.No.
X211447009	47	19
X211451005	47	2
X21145312	47	7
X21145352	47	9
X21145866	47	22
X211462101	47	5
X21147155	47	4
X211476503	47	15
X21147954	47	17
X21148110	47	3
X21148313	47	11
X21148852	47	20
X21149652	47	18
X6201SD	48	3
	49	3
X6203BM	48	16
X6302BM	49	17
X8636008003	22	4
	23	4
XB495469B	49	21
XL12010001	49	22
XL12013262	48	9
	49	10
XL1254801	49	19
XL1255801	49	20
XL13513134	48	12
	49	13
XL13513152	49	8
XL13514042	49	16
XL1352318	49	11
XL13525001	49	18
XL1353320	49	7
XL13542001	49	4
XL1354326	49	9
XL13561001	49	2
XL13563003	49	5
XL1358301	49	6
XL1359400	49	15
XL15014042	48	15
XL15018010	48	19
XL15018015	48	18
XL15028001	48	20
XL15542001	48	4
XL15553002	48	5
XL1556315	48	7
XL15571001	48	2
XL2251318	48	11
XL2253320	48	13
XL2253400	48	14
XL22553012	48	6

PARTS No.	Fig.	Ref.No.
XL2255330	48	8
XL225G6500	48	17
XTR1Z63	48	10
	49	12



YANMAR CO., LTD.