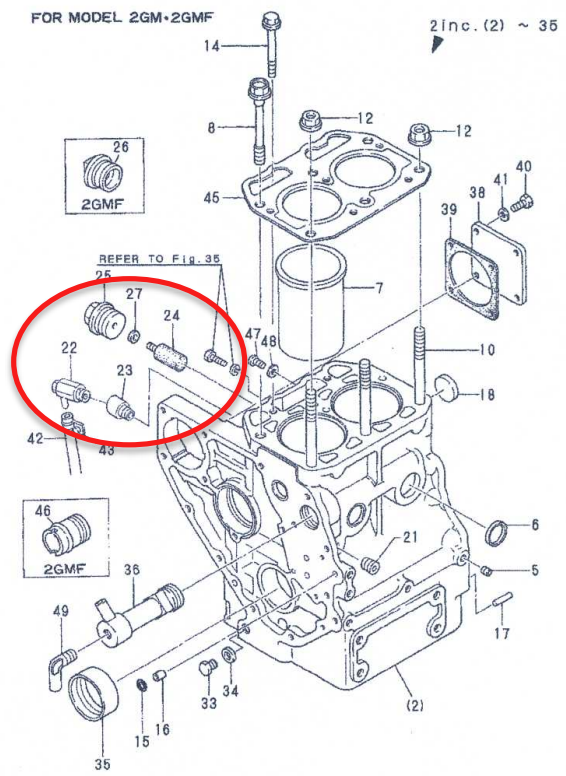
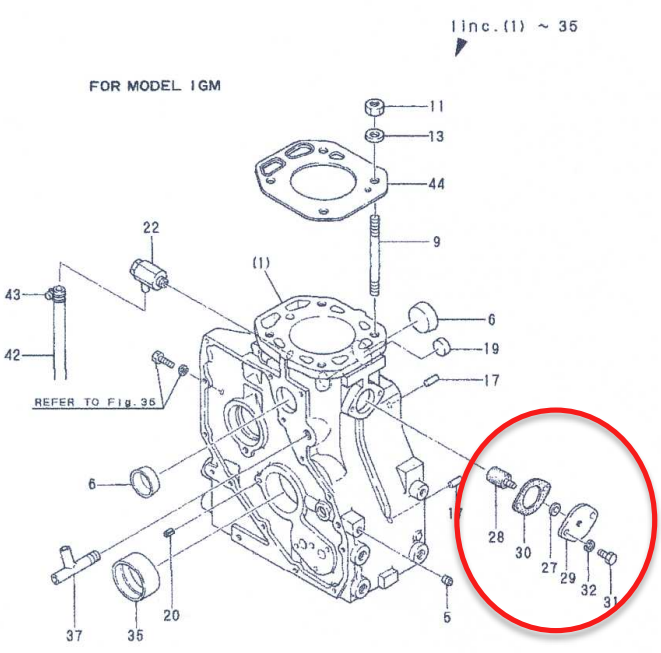


Fig. 1. CYLINDER BLOCK(1,2GM(F))



Remarks:
 REFERENCE No.2
 For cylinder block assembly of 2GMF, that of 2GM is to be supplied.
 Differences found in the constituent parts of assembly are as follow:

Reference No.	Parts unnecessary for 2GMF	Parts necessary for 2GM but not included
	24, 25, 27, 35, 38	26, 46

REF.	LEV.	PARTS NO.	DESCRIPTION	(A)	(B)	(C)	(D)	(E)	(F)	QTY	I	R
1	1	728170-01560	BLOCK ASSY, CYLINDER	1								
2	1	728270-01560	BLOCK ASSY, CYLINDER	1								
5	2	124060-01050	PLUG PT1/8	1	6							
6	2	105311-01090	PLUG 30 (SUS)	2	4							
7	2	121450-01100	LINER, CYLINDER	2	2							
8	2	121450-01203	BOLT, CYL. HEAD	3								
9	2	128170-01200	STUD, CYL. HEAD	4								
10	2	121450-01210	STUD, CYL. HEAD	3								
11	2	105025-01220	NUT 10	4								
12	2	121450-01220	NUT, CYL. HEAD	3								
13	2	105425-01250	WASHER	4								
14	2	121450-01231	BOLT, CYL. HEAD	2								
15	2	24311-000100	O-RING 1A-P-10.0	2								
16	2	105225-01900	GUIDE O-RING	2								
17	2	22312-080160	PARALLEL PIN 8X 16	2								
18	2	121450-01990	PLUG 30	1								
19	2	27243-200000	PLUG 20	1								
20	2	22351-040008	SPRING PIN 4X 8	1								
21	2	23873-020000	PLUG PT 1/4	1								
22	2	43600-500290	COCK 1/4	1								
23	2	128270-01890	SPACER PT1/4	1								
24	2	27210-200300	ZINC, ANTI-CORROSIVE	2								
25	2	128270-09300	PLUG NPTF 1"	1								
26	2	121750-01920	PLUG	1								
27	2	123210-09310	PACKING	1	2							
28	2	27210-200200	ZINC, ANTI-CORROSIVE	1								
29	2	128170-09320	FLANGE ZINC	1								
30	2	104211-49160	PACKING	1								
31	2	26116-060142	BOLT M6X 14	2								
32	2	22217-060000	SPRING WASHER 6	2								
33	2	121450-01960	PLUG PF1/4	1								
34	2	121450-01980	GASKET	1								
35	2	121450-02100	MAIN METAL	1								
36	1	128270-01450	CONNECTOR, BY-PATH	1								
37	1	105582-49090	3-WAY JOINT	1								
38	1	124240-01871	COVER, HO-P	1								
39	1	124240-01882	GASKET, HYD OIL PUMP	1								
40	1	26116-080142	BOLT 8X14	4								
41	1	23414-080000	GASKET 8, ROUND	4								
42	1	23061-070200	PIPE TX 200	1								
43	1	124460-77680	RETAINER	1								
44	1	128170-01330	GASKET, CYL. HEAD	1								
44-1	1	128170-01331	GASKET, CYL. HEAD	1								
45	1	128270-01330	GASKET, CYL. HEAD	1								
45-1	1	128270-01331	GASKET, CYL. HEAD	1								
46	1	124160-49480	JOINT, PIPE	1								
47	1	124060-32990	PLUG	1								
48	1	23414-080000	GASKET 8, ROUND	1								
49	1	105583-49910	ELBOW (PT1/4)	1								

Y00R0902 1. CYLINDER BLOCK(1,2GM(F))

(A)=1GM
 (B)=2GM(F)
 (C)=3GM(F)
 (D)=3GMD
 (E)=3HM
 (F)=3HMF