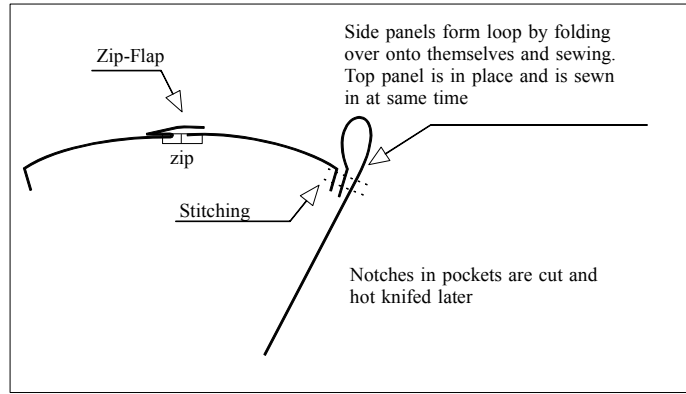


Beneteau 323 Classic Lazy Bag

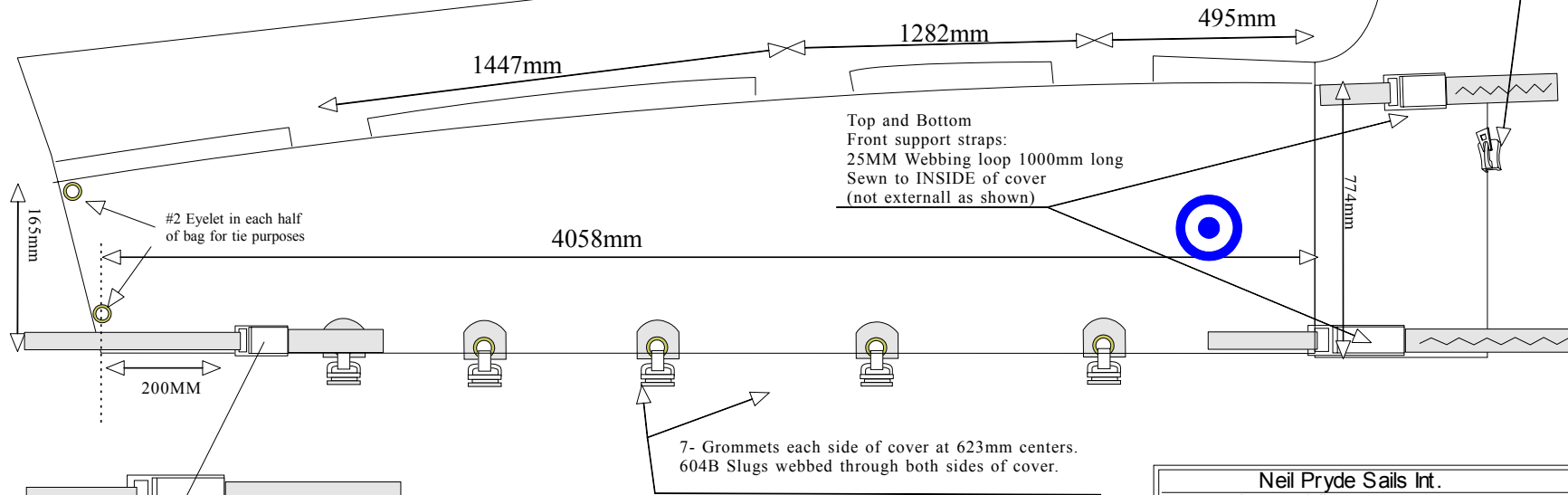
Notes:

Cover: Forest Green Odyssey

1. Top section folded over to accept a 11mm round batten
2. Top sewn to seam. See detail
3. Openings for line notched in as shown.
4. Front flap to fold inside bag while sailing and Velcro to the interior of bag.
5. Web loops and buckle at fore and aft ends for tensioning. ***these should be sewn on the inside of the bag
6. Back of batten 'pocket' sewn closed.
7. Front needs to have internal velcro closure to keep batten in place.
8. One half of the top with extra tabling width to provide for zipper 'flap'.
9. One Bullseye on each side of bag
10. 2 number 2 eyelets on both sides of rear of bag for tensioning purposes



Zipper half to both sides and sewn to front
Fore/aft zipper to pull FORWARD from aft end.



#2 Eyelet in each half of bag for tie purposes

200MM

Buckle and loop 25mm x 500mm
Loop goes through corner rings and back to other side of bag to allow for tensioning.
NOTE: BUCKLE TO BE SET INSIDE REAR OF COVER BY 200MM

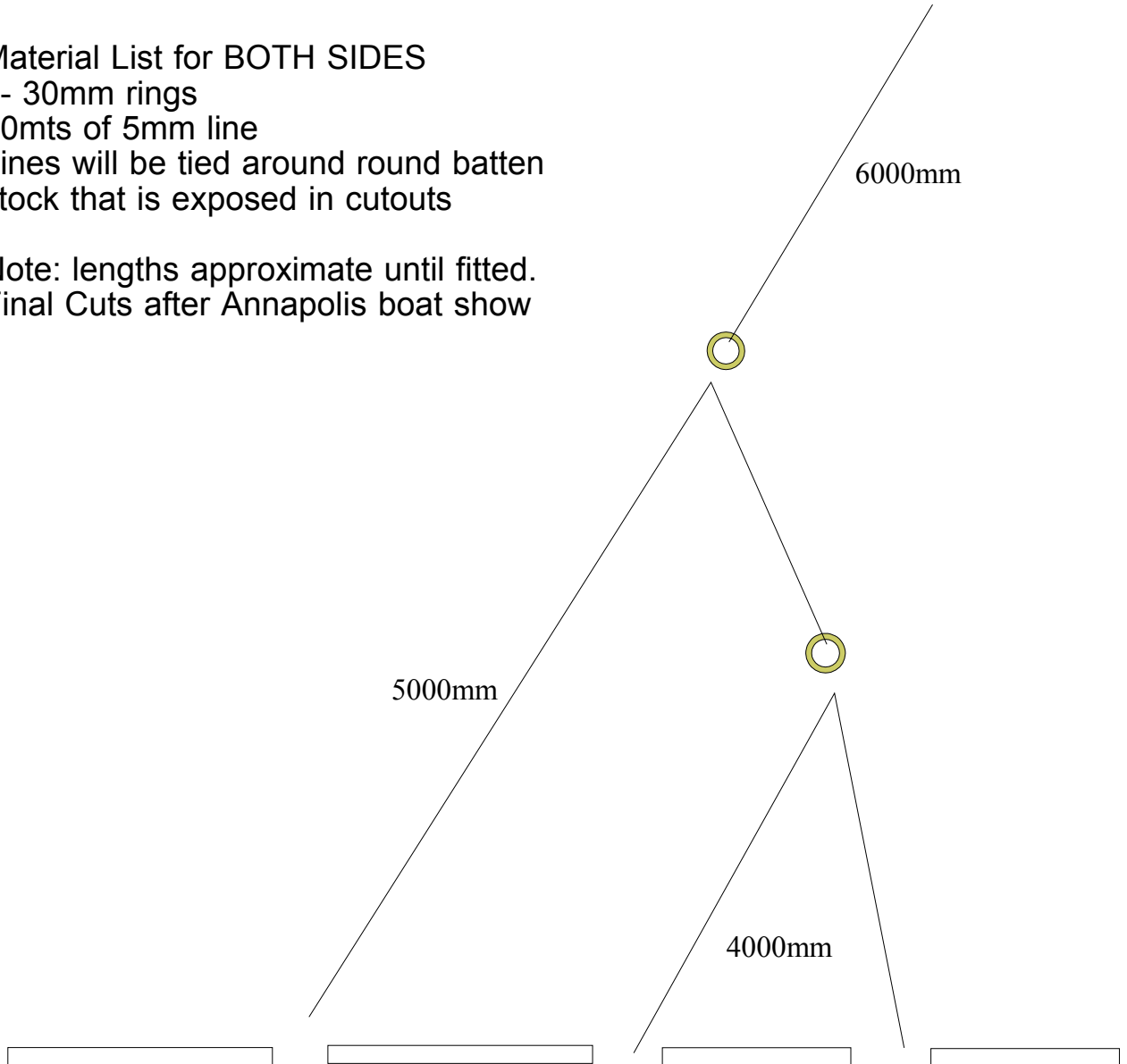
Neil Pryde Sails Int.			
354 Woodmont Rd #18			
Milford Conn. 06460 U.S.A.			
Phone: 203-874-6984 Fax: 203-877-7014			
Drawing Name:		323 Lazy Bag	
Date:	Sept -03	Scale:	Not to Scale
Drawn by:	Bob Pattison	Rev:	000
Copyright 2003 Neil Pryde Sails			

Material List for BOTH SIDES

4- 30mm rings

30mts of 5mm line

Lines will be tied around round batten stock that is exposed in cutouts

 Note: lengths approximate until fitted.
 Final Cuts after Annapolis boat show


Neil Pryde Sales & Design Office			
50 Broad Street, Milford Conn. 06460 U.S.A. Phone: 203-874-6984 Fax: 203-877-7014			
Drawing Name:	323 Lazy Jack lines		
Date:	Sept 03	Scale:	Not to Scale
Drawn by:	Bob Pattison		
Revision #:	000	File Name:	393 Line