

# YAMAHA

**OUTBOARD MOTOR  
PARTS LIST**



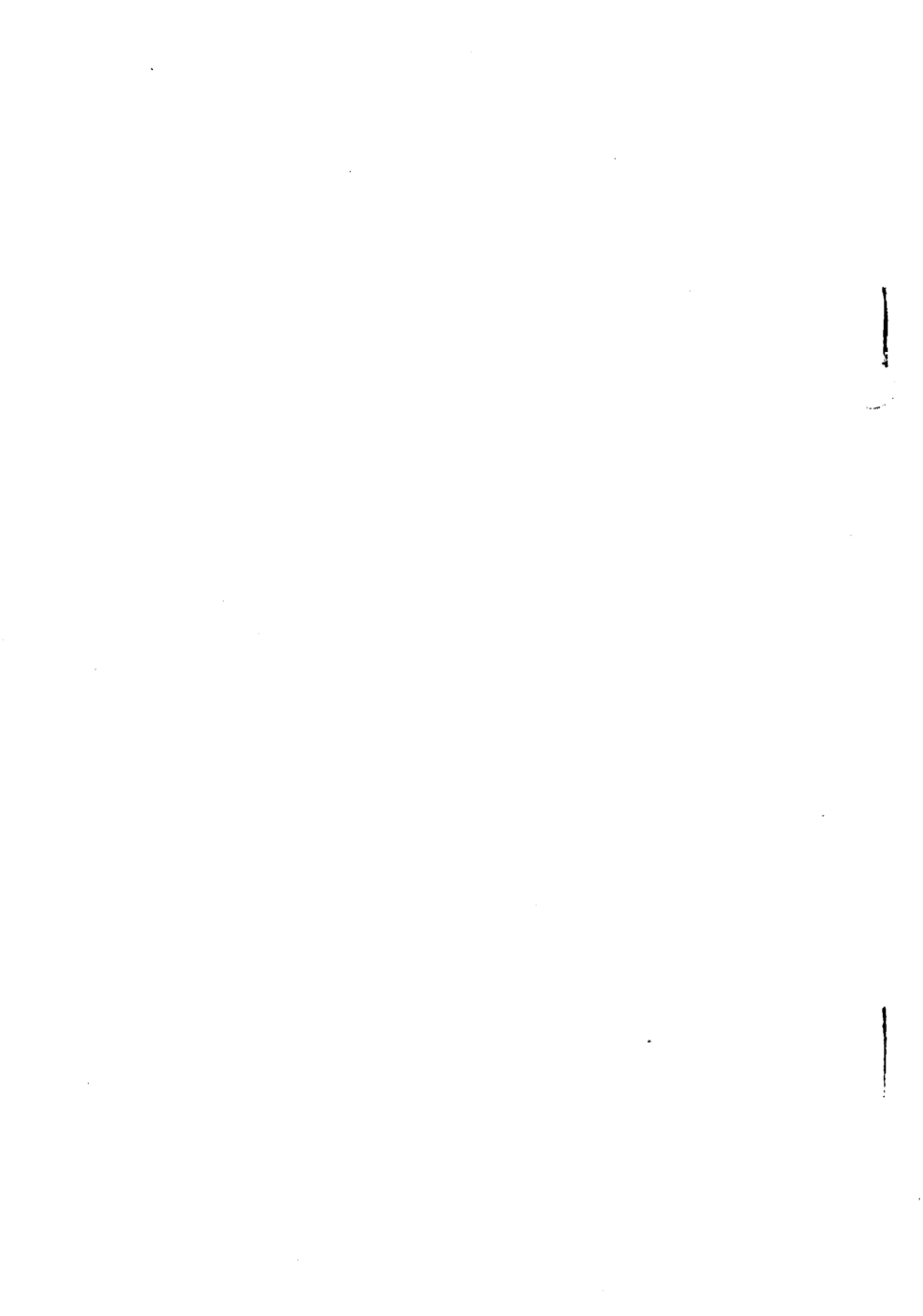
**MODEL 5BS**  
**FOR EUROPE**



**YAMAHA MOTOR CO., LTD.**

COPY RIGHT: ALL RIGHTS RESERVED

NO PART OF THIS PUBLICATION MAY BE REPRODUCED WITHOUT PERMISSION.

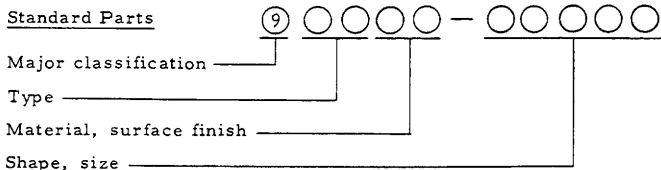
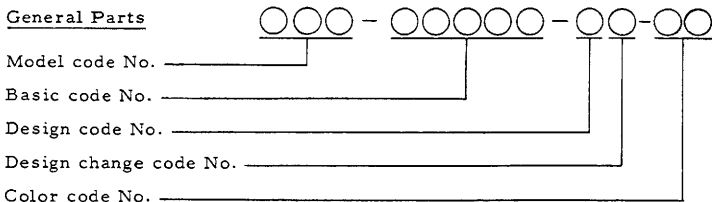


## FOREWORD

This Parts List relates to the parts in use for the Yamaha Outboard Motor 5BS. When you are ordering replacement parts for the 5BS, refer to this Parts List and quote both part numbers and part names correctly.

### 1. Structure of Part No.

Yamaha parts are divided largely into two categories; general parts and standard parts, and each part No. has the following structure:



Note: Every standard No. begins with 9.

### 2. How to Use this Parts List

- (1) Except for steel balls (whose size is indicated in inches), the size of all parts is indicated in millimeters in the following manner.

Hose (rubber or vinyl) . . . .	. . . .	Inside diameter - outside diameter - length
O-ring . . . . .	Section area	- inside diameter
Washer, shim, collar . . . . .	Inside diameter - outside diameter - thickness (length)	
Pin, dowel . . . . .	Inside diameter - outside diameter - length	

- (2) In the Parts List every component part of an assembly is so listed that each part name is indented one character from the left margin, and a dot (.) is attached before each.

Parts, which are not for sale, may be omitted from the list.

Example

Description	Q'ty
CARBURETOR ASS'Y .....	1
. JET, pilot .....	1
. NOZZLE, main .....	1
.	
.	
.	
. LEVER, stater .....	1

- (3) Key to symbols

U.R .... Use size (thickness) and/or number as required

U.N .... Use as many as you need

S ..... S type oil seal or S type circlip

SD ..... SD type oil seal

SW ..... SW type oil seal

E ..... E type circlip

R ..... R type circlip

T ..... Number of teeth in a gear

\* ..... New parts number

☆ } ..... Contents of gasket kit for power head

★ } .....

◇ } ..... Contents of gasket kit for lower unit

◆ }

- (4) In this parts list, the right and left with respect to positions of parts are determined viewing the boat hull from the stern.

(5) All spare parts used in the MODEL 5BS, are listed in first edition of parts list for 5BS (REF NO. 661-28198-E5). For your easy reference, we show the history of revision of the parts from the first engine of 5BS. We shall request you to apply this list in future, instead of the old one which have even been supplied to you. Please pay attention to the number of column of engine number, when you place order with us, so that you can avoid the order for wrong parts.

(6) Indication for the revise of spare parts  
The contents of this parts list is almost same as ordinary parts list. However, please note that this parts list have the indication of interchangeable parts. If any parts shown on the parts list have interchangeable parts, marks "◇" are indicated on the REMARKS.

Example

Parts No.	Description	Q'ty	Remarks
661-14301-02	CARBURETOR ASS'Y	1	◇
661-14301-03	CARBURETOR ASS'Y	1	

As soon as the parts marked by "◇" will be sold out, only the substituted parts will be sold automatically.

In other words, when 661-14301-02 will be sold out, only 661-14301-03 will be supplied to you instead of 661-14301-02.

(7) This Parts List was prepared on Aug., 10, 1976. If any part of the list is changed, it will be published in the Yamaha Parts News. It is requested, therefore, that you will keep this Parts List up-to-dated by making necessary corrections.



# GASKET KIT

- ☆..... Indicates contents of gasket kit for power head.  
S-18546~30090  
L-41376~46595
- ★..... Indicates contents of gasket kit for power head.  
S-30416~  
L-47276~
- ◇..... Indicates contents of gasket kit for lower unit.  
S-18546~30090  
L-41376~46595
- ◆..... Indicates contents of gasket kit for lower unit.  
S-30416~  
L-47276~

# GASKET KIT

Ref. No.	Parts No.	Description	Q'ty	Applicable Machine No.	Remarks
----------	-----------	-------------	------	---------------------------	---------

☆ ----- Contents of gasket kit for power head -----				{ S-18546~30090 L-41376~46595	
	654-W0001-00	GASKET KIT FOR POWER HEAD ..	1s		
	620-11351-00	GASKET, cylinder 1 .....	1		Ref. No. 1-17
	615-41133-00	GASKET, exhaust manifold 1 ....	1		1-20
	615-11181-00	GASKET, cylinder head .....	1		1-26
	620-13647-00	GASKET, manifold .....	1		3-14
	654-13645-00	GASKET, intake manifold 1 .....	2		3-17
	654-14384-00	GASKET, float chamber .....	1		4-26
	644-41133-02	GASKET, exhaust manifold 1 ....	2		5-4
	622-24431-00	GASKET, fuel pump .....	1		15-14

★ ----- Contents of gasket kit for power head -----				{ S-30416~ L-47276~	
	654-W0001-80	GASKET KIT FOR POWER HEAD ..	1s		
	654-11351-80	GASKET, cylinder 1 .....	1		Ref. No. 1-21
	654-41133-80	GASKET, exhaust manifold 1 ....	1		1-24
	615-11181-00	GASKET, cylinder head .....	1		1-26
	620-13647-00	GASKET, manifold .....	1		3-14
	654-13645-00	GASKET, intake manifold 1 .....	2		3-17
	654-14384-00	GASKET, float chamber .....	1		4-26
	654-41134-00	GASKET, exhaust manifold 2 ....	1		5-9
	622-24431-00	GASKET, fuel pump .....	1		15-14

◇ ----- Contents of gasket kit for lower unit -----				{ S-18546~30090 L-41376~46595	
	654-W0001-20	GASKET KIT FOR LOWER UNIT ..	1s		
	624-45114-00	GASKET, upper casing 2 .....	1		Ref. No. 5-3
	654-45151-01	COVER, upper casing .....	1		5-25
	654-45275-00	GASKET, shifter casing .....	1		5-30
	642-45273-00	GASKET, shifter casing .....	1		5-32



# GASKET KIT

Ref. No.	Parts No.	Description	Q'ty	Applicable Machine No.	Remarks
	90430-08020	GASKET .....	2		6-8
	90430-06015	GASKET .....	1		6-10
	93210-24108	O-RING (2.5-24) .....	1		6-21
	93210-48214	O-RING (3.5-47.7) .....	1		6-42
	93210-07222	O-RING (1.9-6.8) .....	1		10-7
◆----- Contents of gasket kit for lower unit -----					(S-30416~ L-47276~)
	654-W0001-30	GASKET KIT FOR LOWER UNIT ..	1s		
	624-45114-01	GASKET, upper casing 2 .....	1		Ref. No. 5-8
	654-45151-01	COVER, upper casing .....	1		5-25
	654-45275-00	GASKET, shifter casing .....	1		5-30
	642-45273-00	GASKET, shifter casing .....	1		5-32
	90430-08020	GASKET .....	2		6-8
	90430-06015	GASKET .....	1		6-10
	93210-24108	O-RING (2.5-24) .....	1		6-21
	93210-48214	O-RING (3.5-47.7) .....	1		6-42
	93210-07222	O-RING (1.9-6.8) .....	1		10-7



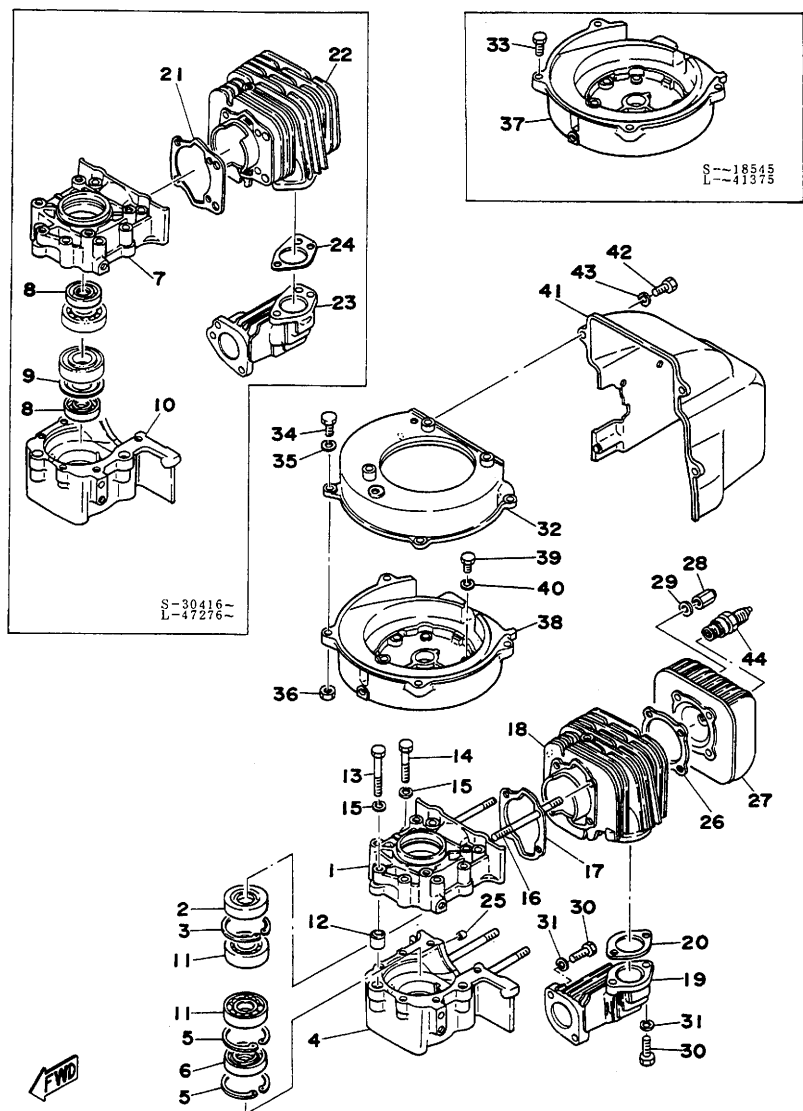


# CONTENTS

Fig. 1	Crankcase - Cylinder .....	1
Fig. 2	Crank - Piston .....	5
Fig. 3	Intake .....	9
Fig. 4	Carburetor .....	13
Fig. 5	Upper Casing .....	17
Fig. 6	Lower Casing - Drive .....	21
Fig. 7	Bracket .....	27
Fig. 8	Tilt Lock .....	31
Fig. 9	Handle .....	35
Fig. 10	Gear Shift .....	39
Fig. 11	Flywheel Magneto .....	41
Fig. 12	Starter .....	45
Fig. 13	Top Cowling .....	49
Fig. 14	Bottom Cowling .....	51
Fig. 15	Fuel Pump - Piping .....	53
Fig. 16	Fuel Tank (12 $\frac{1}{2}$ ) .....	57

## NUMERICAL INDEX

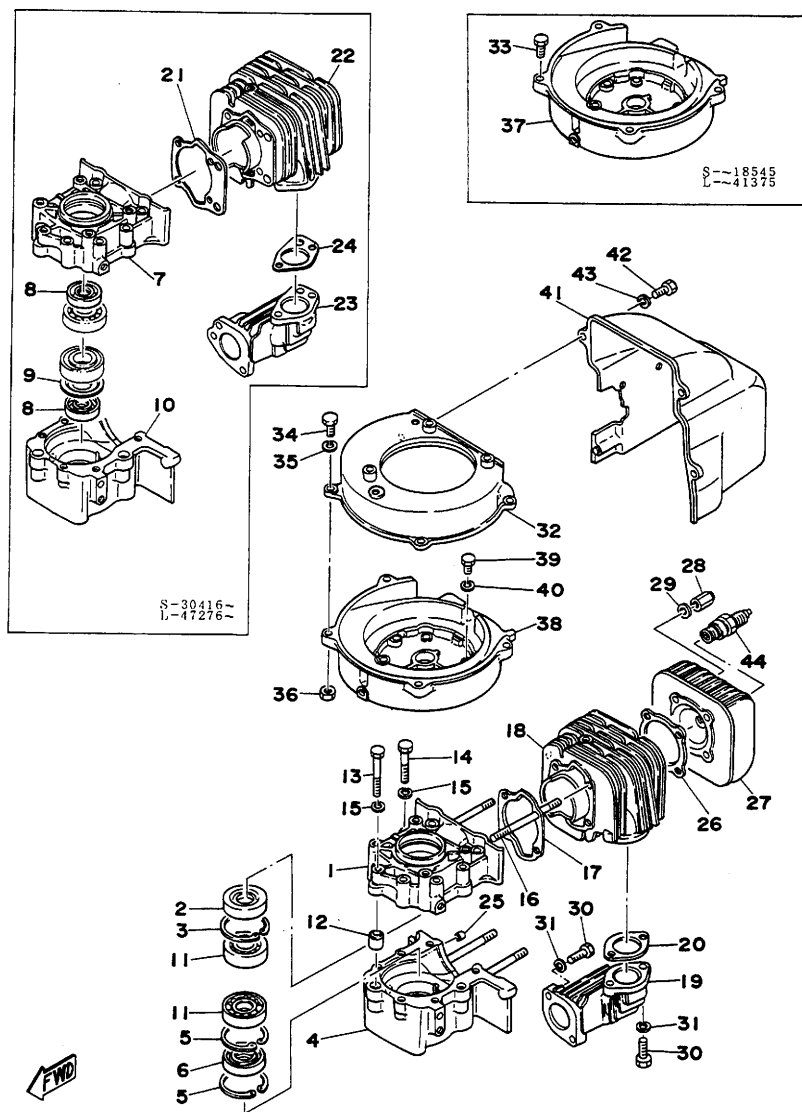
Fig. 1 CRANKCASE · CYLINDER



# CRANKCASE · CYLINDER

Ref. No.	Parts No.	Description	Qty	Applicable Machine No.	Remarks
1- 1	661-15111-00-94	CASE, crank 1 .....	1		Unify to 661-15111-01
1- 2	93102-20039	OIL SEAL (SD-20-47-7) .....	1	S~30290 L~46866	
1- 3	93420-47010	CIRCLIP (R-47) .....	1		
1- 4	661-15121-01-94	CASE, crank 2 .....	1	S~08615 L~35155	
	661-15121-60-94	CASE, crank 2 .....	1	S-08616~16635 L-35156~40290	
	661-15121-02-94	CASE, crank 2 .....	1	S-16636~30290 L-40291~46866	
1- 5	93420-47010	CIRCLIP (R-47) .....	2	S~30290 L~46866	
1- 6	93101-20076	OIL SEAL (S-20-47-10) .....	1		
1- 7	* 661-15111-01-94	CASE, crank 1 .....	1	S-30416~ L-47276~	
1- 8	* 93102-20092	OIL SEAL (SD-20-36-7) .....	2		
1- 9	* 654-15185-00	PROTECTOR, oil seal .....	1		
1-10	* 661-15121-81-94	CASE, crank 2 .....	1		
1-11	93306-20418	BEARING (B6204C3) .....	2		
1-12	91830-22016	PIN, dowel A (8.4-12-16) .....	2		
1-13	97323-06055	BOLT, hexagon .....	2		
1-14	97323-06045	BOLT, hexagon .....	6		
1-15	92903-06100	WASHER, spring .....	8		
1-16	90116-06100	BOLT, stud (122-11361-00).....	4		
★1-17	620-11351-00	GASKET, cylinder 1 .....	1	S~30290 L~46866	Thermotight Silver
1-18	661-11311-00-94	CYLINDER 1 .....	1		
1-19	644-41131-04-85	MANIFOLD, exhaust 1 .....	1		
★1-20	615-41133-00	GASKET, exhaust manifold 1 .....	1	S-30416~ L-47276~	Thermotight Silver
★1-21	* 654-11351-80	GASKET, cylinder 1 .....	1		
1-22	* 661-11311-80-94	CYLINDER 1 .....	1		
1-23	* 654-41131-80-85	MANIFOLD, exhaust 1 .....	1		
★1-24	* 654-41133-80	GASKET, exhaust manifold 1 .....	1		
1-25	90385-03014	BUSHING .....	1		
★1-26	615-11181-00	GASKET, cylinder head .....	1		
1-27	620-11111-00-94	HEAD, cylinder 1 .....	1		

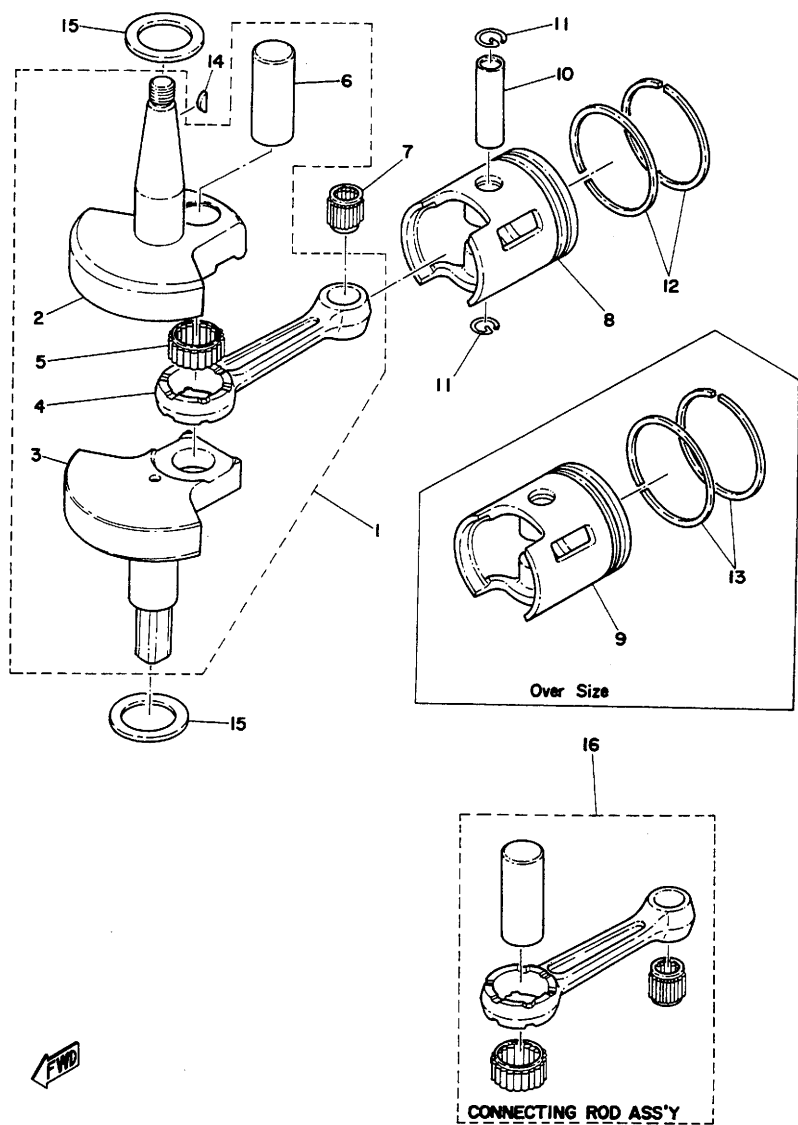
Fig. 1 CRANKCASE · CYLINDER



# CRANKCASE · CYLINDER

Ref. No.	Parts No.	Description	Q'ty	Applicable Machine No.	Remarks
1-28	90170-06017	NUT, hexagon (620-11171-00) . . . .	4		
1-29	92903-06600	WASHER, plate . . . . .	4		
1-30	97370-06025	BOLT, hexagon . . . . .	4		
1-31	92990-06100	WASHER, spring . . . . .	4	{S~30090 L~46595	
	90201-06043	WASHER, plate . . . . .	4	{S~30416~ L~47276~	
1-32	661-12621-00-94	CASE, fan 1 . . . . .	1		
1-33	97323-06018	BOLT, hexagon . . . . .	4	{S~18545 L~41375	
1-34	97323-06025	BOLT, hexagon . . . . .	4	{S~18546~ L~41376~	
1-35	92903-06100	WASHER, spring . . . . .	4		
1-36	95303-06600	NUT, hexagon . . . . .	4	{S~18546~ L~41376~	
1-37	661-12622-00-94	CASE, fan 2 . . . . .	1	{S~18545 L~41375	
1-38	661-12622-01-94	CASE, fan 2 . . . . .	1	{S~18546~ L~41376~	
1-39	97323-06020	BOLT, hexagon . . . . .	5		
1-40	92903-06100	WASHER, spring . . . . .	5		
1-41	661-12651-01-94	AIR SHROUD, cylinder 1 . . . . .	1		
1-42	97323-06018	BOLT, hexagon . . . . .	3		
1-43	92903-06100	WASHER, spring . . . . .	3		
1-44	94701-00040	PLUG, spark (B-7HS) . . . . .	1	{S~30090 L~46595	
	* 94701-00039	PLUG, spark (B-6HS) . . . . .	1	{S~30416~ L~47276~	

Fig. 2 CRANK · PISTON

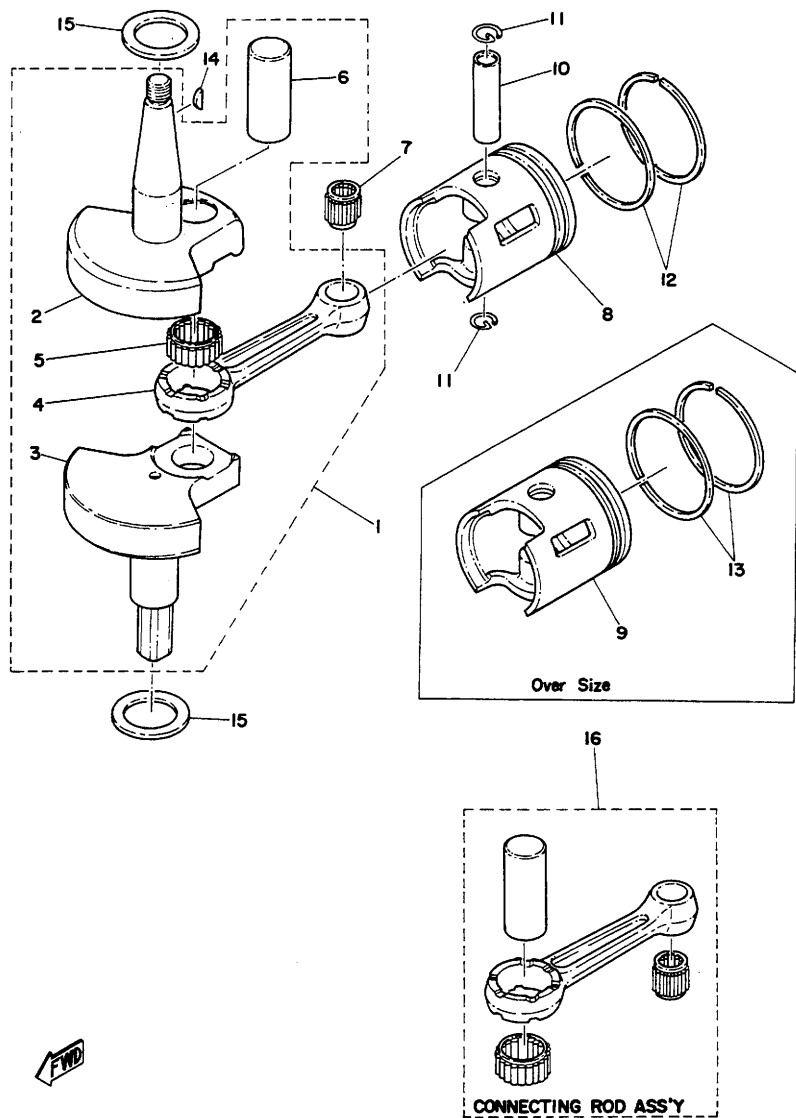




# CRANK · PISTON

Ref. No.	Parts No.	Description	Q'ty	Applicable Machine No.	Remarks
2- 1	620-11400-01	CRANK ASS'Y .....	1		
2- 2	615-11412-01	. CRANK 1 .....	1		
2- 3	615-11422-02	. CRANK 2 .....	1		
2- 4	620-11651-00	. ROD, connecting .....	1		
2- 5	93310-41810	. BEARING, con-rod big end .....	1		
2- 6	122-11681-00	. PIN, crank .....	1	S~30090 L~46595	▽
	* 122-11681-01	. PIN, crank .....	1	S-30416~ L-47276~	
2- 7	93310-11202	BEARING, con-rod small end .....	1	S~30090 L~46595	▽
	93310-11268	BEARING, con-rod small end .....	1	S-30416~ L-47276~	
2- 8	644-11631-01-96	PISTON (Standard 49.96mm)....	} U.R 1	} S~30090 L~46595	} ▽
	644-11631-01-97	PISTON (Standard 49.97mm)....			
	644-11631-01-98	PISTON (Standard 49.98mm)....			
	* 644-11631-02-96	PISTON (Standard 49.96mm)....	} U.R 1	} S-30416~ L-47276~	
	* 644-11631-02-97	PISTON (Standard 49.97mm)....			
	* 644-11631-02-98	PISTON (Standard 49.98mm)....			
2- 9	644-11635-01	PISTON (Over Size 50.25mm)....	1	} S~30090 L~46595	} ▽
	644-11636-01	PISTON (Over Size 50.50mm)....	1		
	* 644-11635-02	PISTON (Over Size 50.25mm)....	1	} S-30416~ L-47276~	
	* 644-11636-02	PISTON (Over Size 50.50mm)....	1		
2-10	122-11633-00	PIN, piston .....	1		
2-11	93450-13022	CLIP, piston pin (132-11634-00) ..	2		
2-12	644-11610-00	PISTON RING SET .....	1s		
2-13	644-11610-10	PISTON RING SET (Over Size 50.25mm) .....	1s		
	644-11610-20	PISTON RING SET (Over Size 50.50mm) .....	1s		
2-14	90280-03004	KEY, woodruff (615-11545-00) ....	1		

Fig. 2 CRANK · PISTON



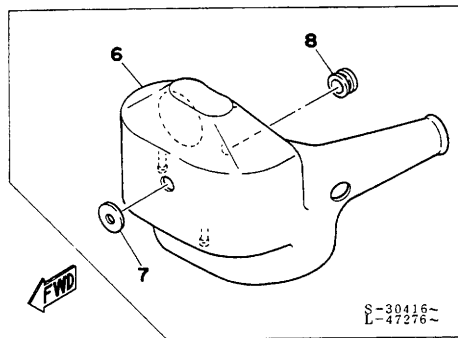
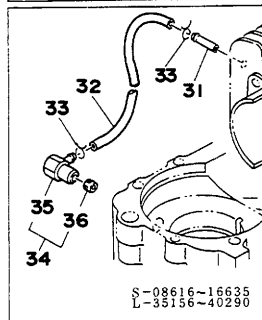
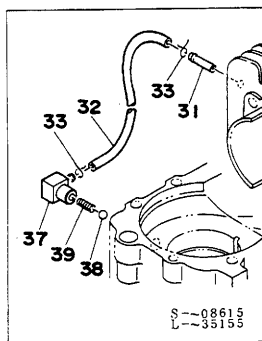
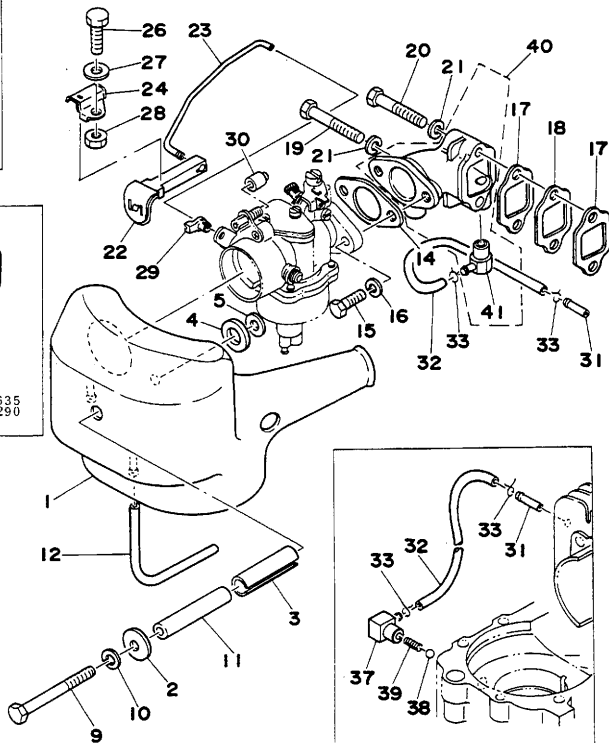
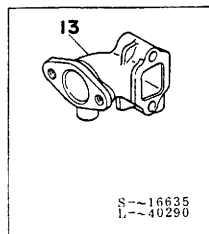
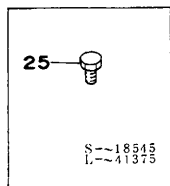
# CRANK · PISTON

Ref. No.	Parts No.	Description	Q'ty	Applicable Machine No.	Remarks
2-15	136-11561-00-03	SHIM, crank 1 (20.5-30-0.3)....	}		U.R 2
	136-11561-00-04	SHIM, crank 1 (20.5-30-0.4)....			
	136-11561-00-05	SHIM, crank 1 (20.5-30-0.5)....			
	136-11561-00-06	SHIM, crank 1 (20.5-30-0.6)....			
	136-11561-00-07	SHIM, crank 1 (20.5-30-0.7)....			
	136-11561-00-08	SHIM, crank 1 (20.5-30-0.8)....			

## OPTIONAL PARTS

2-16	620-11650-00	CONNECTING ROD ASS'Y . . . . . 1	Ref. No. 4, 5, 6, 7
------	--------------	----------------------------------	------------------------

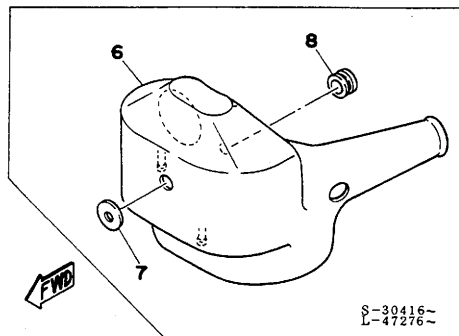
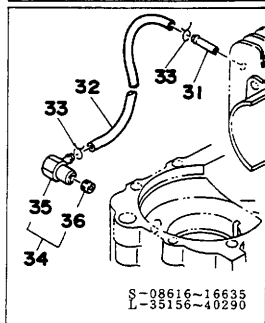
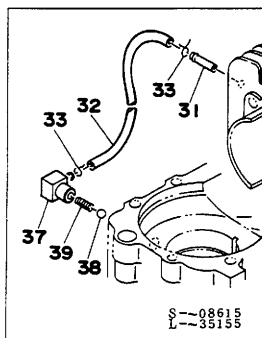
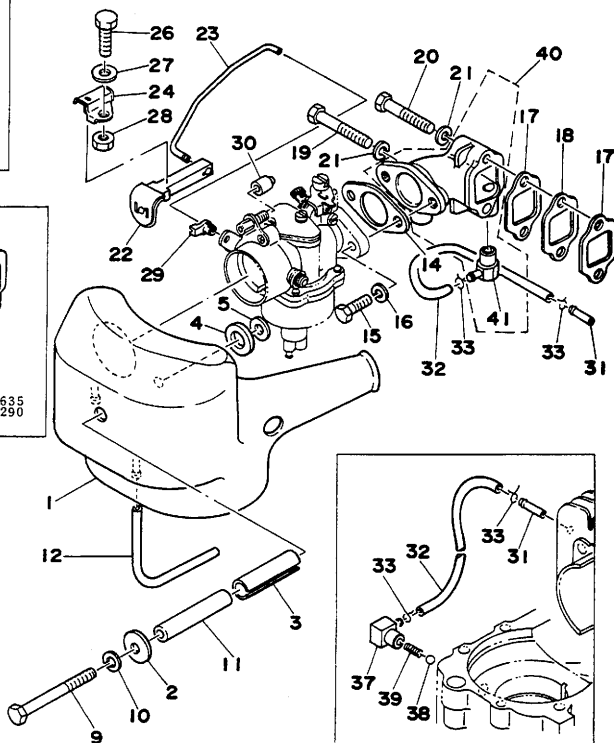
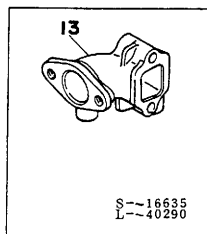
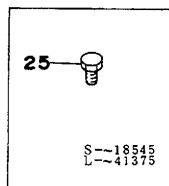
Fig. 3 INTAKE



# INTAKE

Ref. No.	Parts No.	Description	Q'ty	Applicable Machine No.	Remarks
3- 1	661-14411-01	CASE, air cleaner	1	S~12655 L~37625	
	661-14411-02	CASE, air cleaner	1	S-12656~30090 L-37626~46595	
3- 2	90201-06068	WASHER, plate (620-24576-00)	1	S~12655 L~37625	
	90201-06416	WASHER, plate	1	S-12656~30090 L-37626~46595	
3- 3	90387-10495	COLLAR	1		
3- 4	661-14452-00	SEAL	1		
3- 5	90201-06336	WASHER, plate	1		
3- 6	* 661-14411-03	CASE, air cleaner	1	S-30416~ L-47276~	
3- 7	90201-06068	WASHER, plate (620-24576-00)	1		
3- 8	* 90480-14204	GROMMET	1		
3- 9	97323-06065	BOLT, hexagon	1		
3-10	92903-06100	WASHER, spring	1		
3-11	90387-06248	COLLAR	1		
3-12	90446-05046	HOSE (3-5-120)	1		
3-13	661-13641-00-94	MANIFOLD, intake	1	S~16635 L~40290	
☆ 3-14	620-13647-00	GASKET, manifold	1		
3-15	97323-06020	BOLT, hexagon	2		
3-16	92903-06100	WASHER, spring	2		
☆ 3-17	654-13645-00	GASKET, intake manifold 1	2		
3-18	654-13646-00	GASKET, intake manifold 2	1		
3-19	97323-06045	BOLT, hexagon	1		
3-20	97323-06040	BOLT, hexagon	1		
3-21	92903-06100	WASHER, spring	2		
3-22	661-41271-01	KNOB, choke	1		
3-23	661-41256-00	ROD, choke link 1	1	S-08616~ L-35156~	
3-24	661-41265-00	SPRING, choke	1		
3-25	97323-06012	BOLT, hexagon	1	S~18545 L~41375	
3-26	97323-06025	BOLT, hexagon	1	S-18546~ L-41376~	
3-27	92903-06600	WASHER, plate	1		

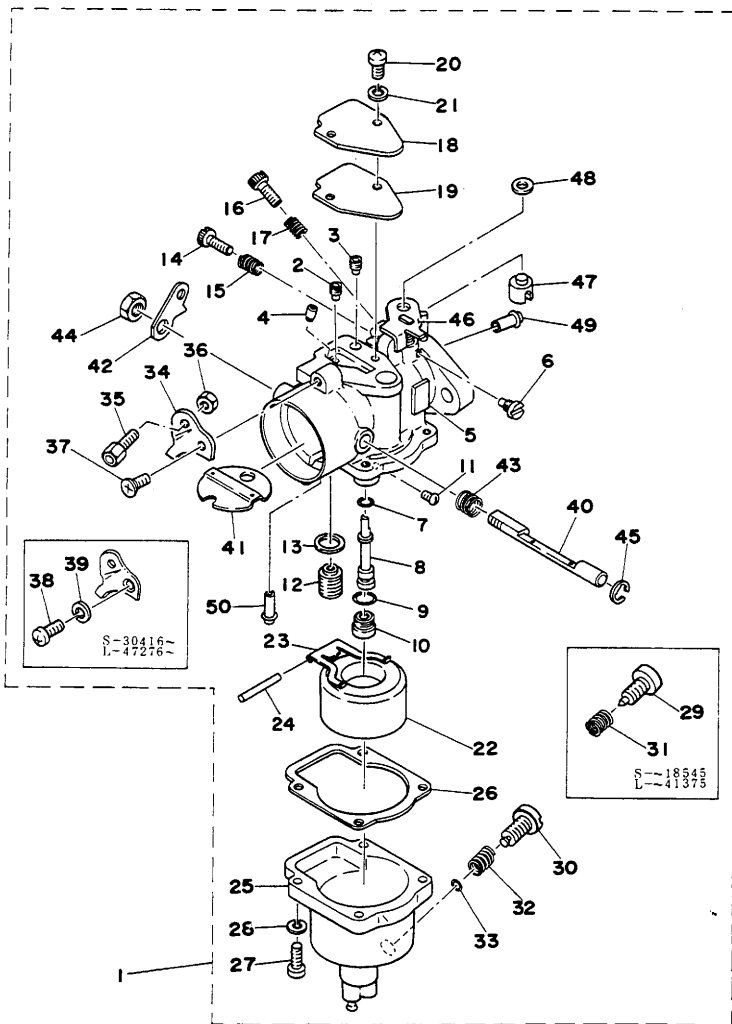
Fig. 3 INTAKE



# INTAKE

Ref. No.	Parts No.	Description	Q'ty	Applicable Machine No.	Remarks
3-28	95380-06600	NUT, hexagon	1	S-18546~ L-41376~	
3-29	661-41262-02	JOINT, choke lever	1		
3-30	620-26316-00	BOOT, throttle wire	1		
3-31	624-14485-00	PIPE, joint	1		
3-32	90445-07255	HOSE (2.5-7-160)	1	S~16635 L~40290	
	90445-07254	HOSE (2.5-7-118)	1	S-16636~ L-40291~	
3-33	90467-06016	CLIP	2		
3-34	650-11370-00	CHECK VALVE ASS'Y	1		
3-35	650-11372-00	. NIPPLE, hose 2	1	S-08616~16635 L-35156~40290	
3-36	624-11379-00	. VALVE, check 1	1		
3-37	650-14588-01	CONNECTOR	1		
3-38	93501-08001	BALL (624-24684-00 1/8 inch)	1	S~08615 L~35155	
3-39	90501-02223	SPRING, compression	1		
3-40	654-13640-00-94	INTAKE MANIFOLD ASS'Y	1		
3-41	650-11370-00	. CHECK VALVE ASS'Y	1	S-16636~ L-40291~	

Fig. 4 CARBURETOR

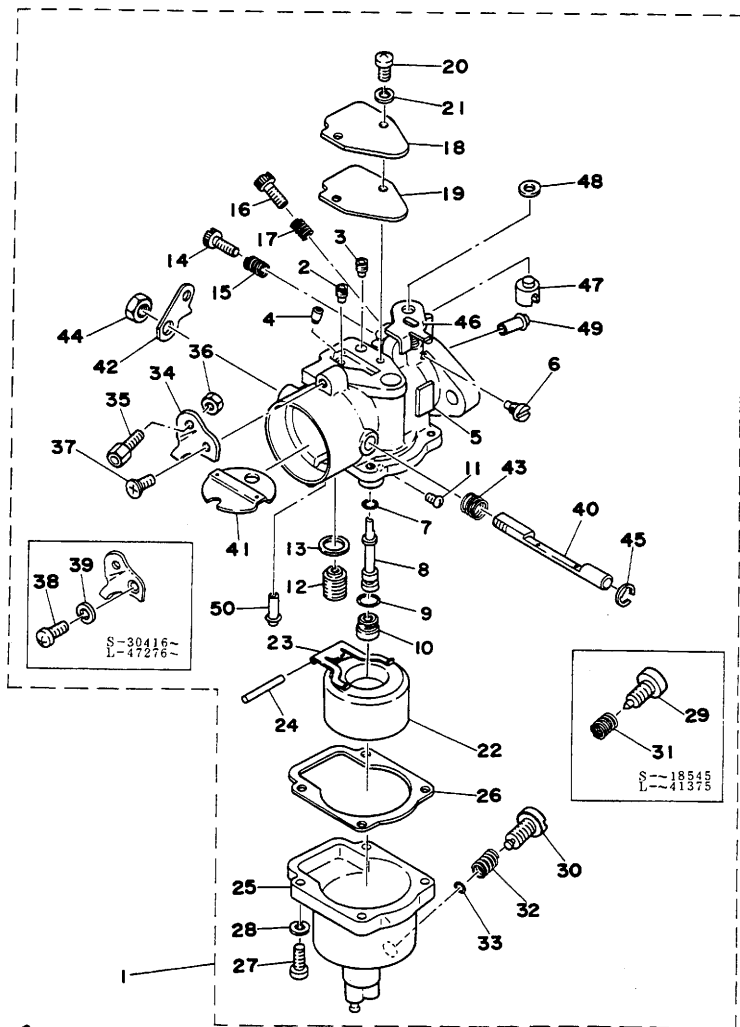




# CARBURETOR

Ref. No.	Parts No.	Description	Q'ty	Applicable Machine No.	Remarks
4- 1	661-14301-02	CARBURETOR ASS'Y	1	{ S~18545 L~41375	⇩
	661-14301-03	CARBURETOR ASS'Y	1	{ S18546~ L41376~	
4- 2	654-14347-00	. AIR JET, slow (1.2φ)	1		
4- 3	654-14342-24	. JET, pilot (#48)	1	{ S~18420 L~40290	
	654-14342-23	. JET, pilot (#46)	1	{ S18421~ L40291~	
4- 4	654-14337-00	. AIR JET, main (1.2φ)	1		
4- 5	654-14346-00	. PLATE 1	1		
4- 6	626-14326-00	. SCREW, guide	1		
4- 7	654-14198-00	. GASKET	1		
4- 8	654-14341-00	. NOZZLE, main	1		
4- 9	654-14199-00	. GASKET	1		
4-10	661-14343-41	. JET, main (#82)	1	{ S~18420 L~40290	
	661-14343-40	. JET, main (#80)	1	{ S18421~ L40291~	
4-11	654-14216-00	. SCREW	1		
4-12	650-14390-12	. VALVE SEAT ASS'Y	1		
4-13	626-14398-00	. GASKET	1		
4-14	654-14321-00	. SCREW, throttle	1		
4-15	654-14334-00	. SPRING, air adjusting	1		
4-16	654-14323-00	. SCREW, air adjusting	1	{ S~18545 L~41375	
	648-14323-00	. SCREW, air adjusting	1	{ S18546~ L41376~	
4-17	654-14333-00	. SPRING, throttle stop	1	{ S~18545 L~41375	
	648-14334-00	. SPRING, throttle stop	1	{ S18546~ L41376~	
4-18	654-14157-00	. COVER, mixing	1		
4-19	654-14227-01	. GASKET	1		
4-20	98503-04008	. SCREW, panhead	2		
4-21	92990-04100	. WASHER, spring	2		
4-22	626-14385-00	. FLOAT	1		
4-23	626-14387-00	. ARM, float	1		
4-24	626-14386-00	. PIN, float	1		

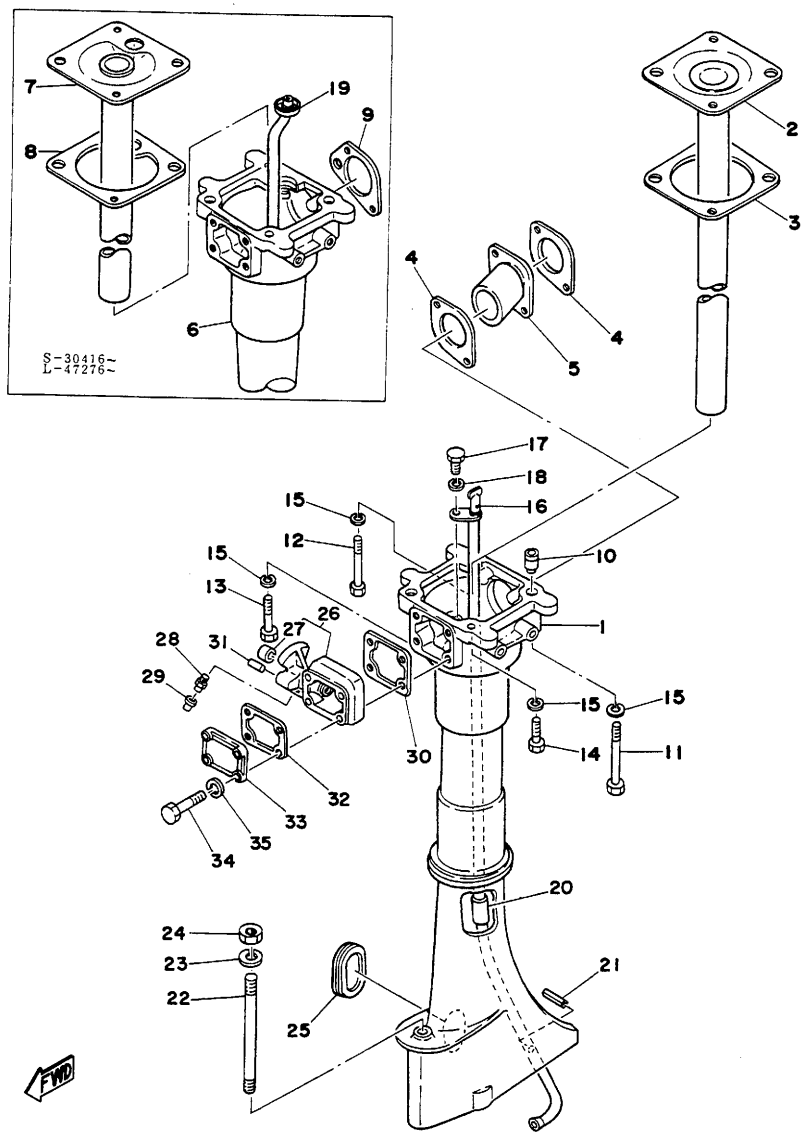
Fig. 4 CARBURETOR



# CARBURETOR

Ref. No.	Parts No.	Description	Q'ty	Applicable Machine No.	Remarks	
4-25	661-14381-01	. BODY, float chamber	1	S~18545 L~41375		
	661-14381-02	. BODY, float chamber	1		S~18546~ L~41376~	
☆ 4-26	654-14384-00	. GASKET, float chamber	1			
4-27	98503-04015	. SCREW, panhead	4			
4-28	92990-04100	. WASHER, spring	4			
4-29	650-14394-01	. VALVE, drain	1	S~18545 L~41375		
4-30	646-14394-00	. VALVE, drain	1		S~18546~ L~41376~	
4-31	650-14223-00	. SPRING, drain valve	1	S~18545 L~41375		
4-32	646-14223-01	. SPRING	1		S~18546~ L~41376~	
4-33	646-14397-00	. O-RING	1			
4-34	654-14155-01	. GUIDE, cable	1			
4-35	654-14124-00	. BOLT	1			
4-36	647-14161-00	. NUT	1			
4-37	98701-04008	. SCREW, flathead	1	S~30090 L~46595		
4-38	98503-04008	. SCREW, panhead	1			
4-39	92990-04100	. WASHER, spring	1	S~30416~ L~47276~		
4-40	654-14229-00	. SHAFT, choke	1			
4-41	654-14217-00	. VALVE, choke	1			
4-42	661-14201-00	. CHOKE LEVER COMP.	1			
4-43	654-14218-00	. SPRING, choke lever	1			
4-44	654-14363-00	. NUT	1			
4-45	654-14137-00	. CLIP	1			
4-46	654-14315-00	. LEVER, throttle	1	S~30090 L~46595		
4-47	654-41226-00	. CONNECTOR	1			
4-48	654-14357-00	. WASHER, plain	1			
4-49	626-14349-00	. PIPE 1	1			
4-50	654-14396-00	. PIPE, over flow	1			

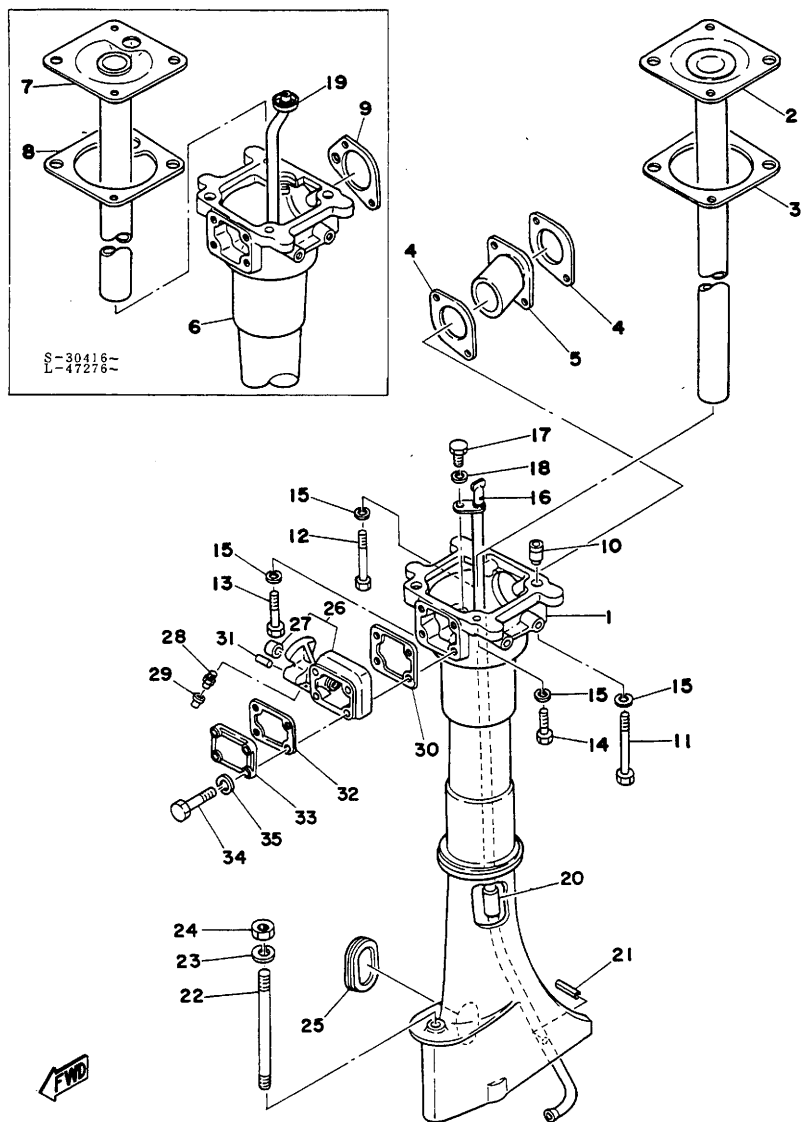
Fig. 5 UPPER CASING



# UPPER CASING

Ref. No.	Parts No.	Description	Q'ty	Applicable Machine No.	Remarks
5- 1	661-45111-01-F6	CASING, upper (Standard 544.5mm) .....	1		} Metallic Ocean Blue
	661-45111-11-F6	CASING, upper (Long 679.5mm) .....	1		
5- 2	654-45113-00	GASKET, upper casing 1 (Standard 542mm) .....	1		} Unify to 654-45113-01
	654-45113-10	GASKET, upper casing 1 (Long 678mm) .....	1	S~30290 L~46866	
◇5- 3	624-45114-00	GASKET, upper casing 2 .....	1		} Unify to 654-45113-11
☆5- 4	644-41133-02	GASKET, exhaust manifold 1 .....	2		
5- 5	644-41137-01	GUIDE, exhaust .....	1		} Unify to 624-45114-01
5- 6	* 661-45111-80-F6	CASING, upper (Standard 544.5mm) .....	1		
	* 661-45111-40-F6	CASING, upper (Long 679.5mm) .....	1		} Metallic Ocean Blue
5- 7	* 654-45113-80	GASKET, upper casing 1 (Standard 542mm) .....	1		
	* 654-45113-40	GASKET, upper casing 1 (Long 677mm) .....	1	S-30416~ L-47276~	} Metallic Ocean Blue
◆5- 8	* 624-45114-01	GASKET, upper casing 2 .....	1		
★5- 9	* 654-41134-00	GASKET, exhaust manifold 2 .....	1		
5-10	91830-22016	PIN, dowel A (8.4-12-16) .....	2		
5-11	97370-06065	BOLT, hexagon .....	1		
5-12	97370-06055	BOLT, hexagon .....	1		
5-13	97370-06035	BOLT, hexagon .....	1		
5-14	97370-06025	BOLT, hexagon .....	1		
5-15	92990-06100	WASHER, spring .....	4		
5-16	654-44361-00	TUBE, water (Standard 572.5mm) .....	1		} S~30290 L~46866
	654-44361-10	TUBE, water (Long 707.5mm) .....	1		
5-17	97370-06015	BOLT, hexagon .....	1		} S-30416~ L-47276~
5-18	92990-06100	WASHER, spring .....	1		
5-19	* 654-44361-80	TUBE, water (Standard 593mm) .....	1		} S-30416~ L-47276~
	* 654-44361-40	TUBE, water (Long 728mm) .....	1		

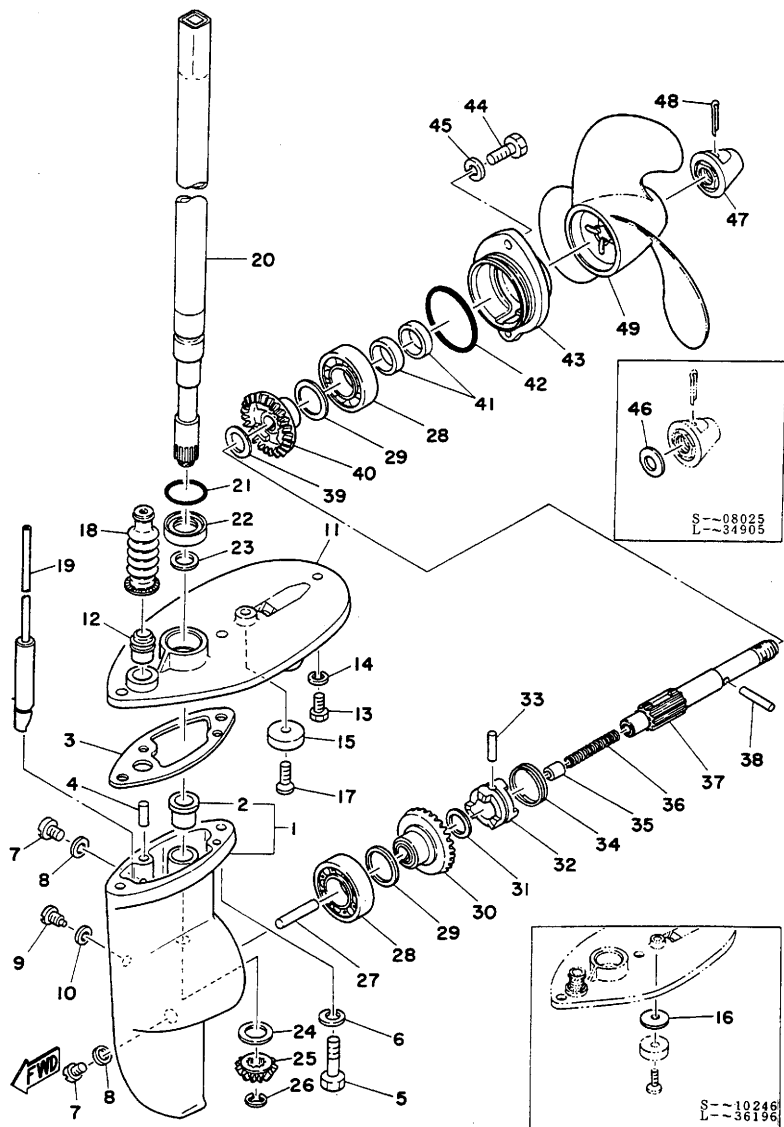
Fig. 5 UPPER CASING



# UPPER CASING

Ref. No.	Parts No.	Description	Q'ty	Applicable Machine No.	Remarks
5-20	90445-11262	RUBBER (647-44374-00) .....	1		
5-21	91690-35025	PIN, spring .....	1		
5-22	90116-08110	BOLT, stud .....	1		
5-23	92990-08100	WASHER, spring .....	1		
5-24	95380-08600	NUT, hexagon .....	1		
◇ 5-25	654-45151-01	COVER, upper casing .....	1		
5-26	654-45270-02-F6	SHIFTER CASING ASS'Y .....	1		Metallic Ocean Blue
5-27	90386-10054	. BUSHING (654-44122-00) .....	2	{ S~17622 L~40260	
	90386-10087	. BUSHING .....	2	{ S-17623~ L-40261~	
5-28	93700-06004	NIPPLE, grease .....	1	{ S-17623~ L-40261~	
5-29	663-45119-00	CAP, grease nipple .....	1	{ S-17623~ L-40261~	
◇ 5-30	654-45275-00	GASKET, shifter casing .....	1		
5-31	93605-20064	PIN, dowel B (5-19.8) .....	1		
◇ 5-32	642-45273-00	GASKET, shifter casing .....	1		
5-33	642-45274-00-F6	COVER, shifter casing .....	1		Metallic Ocean Blue
5-34	97370-06035	BOLT, hexagon .....	4		
5-35	92990-06100	WASHER, spring .....	4		

Fig. 6 LOWER CASING · DRIVE

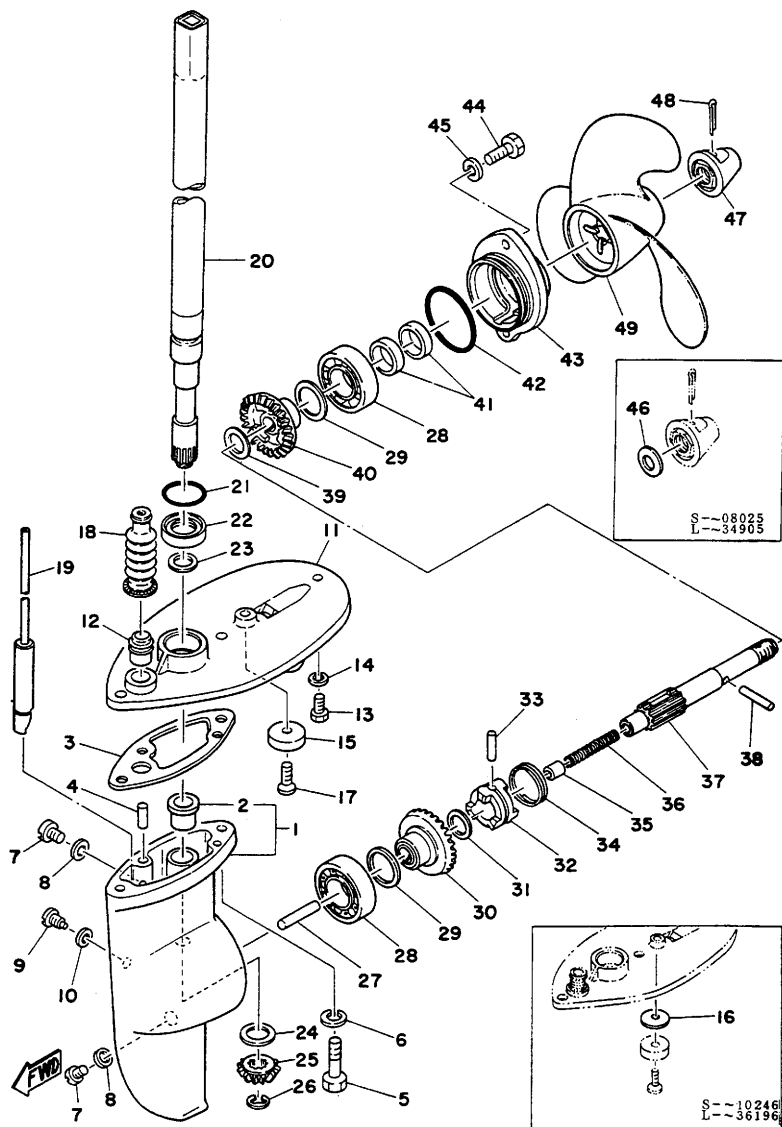




# LOWER CASING·DRIVE

Ref. No.	Parts No.	Description	Q'ty	Applicable Machine No.	Remarks
6- 1	654-45310-00-F6	LOWER CASING ASS'Y	1		Metallic Ocean Blue
6- 2	647-45316-09	. BUSHING, drive shaft 1	2		
6- 3	642-45315-00	PACKING, lower casing	1		
6- 4	93606-15020	PIN, dowel B (6-15)	2		
6- 5	97370-08030	BOLT, hexagon	1		
6- 6	92990-08100	WASHER, spring	1		
6- 7	90340-08014	PLUG, straight (647-45341-00)	2		
◇ 6- 8	90430-08020	GASKET (604-45342-00)	2		
6- 9	90149-06003	SCREW, detent (626-44165-00)	1		
◇ 6-10	90430-06015	GASKET (626-44166-00)	1		
6-11	654-45181-00-F6	PLATE	1		
6-12	647-44152-01	BUSHING, shift cam	1		
6-13	97370-05012	BOLT, hexagon	1		
6-14	92990-05100	WASHER, spring	1		
6-15	616-45251-30	ANODE	1		
6-16	616-45252-30	SEAT	1	S~10246 L~36196	
6-17	92180-06018	SCREW, ovalhead	1	S~10246 L~36196	
	92180-06015	SCREW, ovalhead	1	S-10247~ L-36197~	
6-18	647-44147-00	BOOT, shift rod	1		
6-19	654-44150-00	SHIFT CAM ASS'Y	1		
6-20	654-45510-02	DRIVE SHAFT ASS'Y (Standard 633.5mm)	1		
	654-45510-12	DRIVE SHAFT ASS'Y (Long 770.5mm)	1		
◇ 6-21	93210-24108	O-RING (2.5-24)	1		
6-22	93102-18102	OIL SEAL (SD-18-28-8)	1		
6-23	90201-12161	THRUST WASHER (647-45534-00)	1		
6-24	647-45533-00-08	THRUST WASHER (12-22-0.8)	1	U.R.	
	647-45533-00-10	THRUST WASHER (12-22-1.0)			
	647-45533-00-12	THRUST WASHER (12-22-1.2)			
	647-45533-00-14	THRUST WASHER (12-22-1.4)			

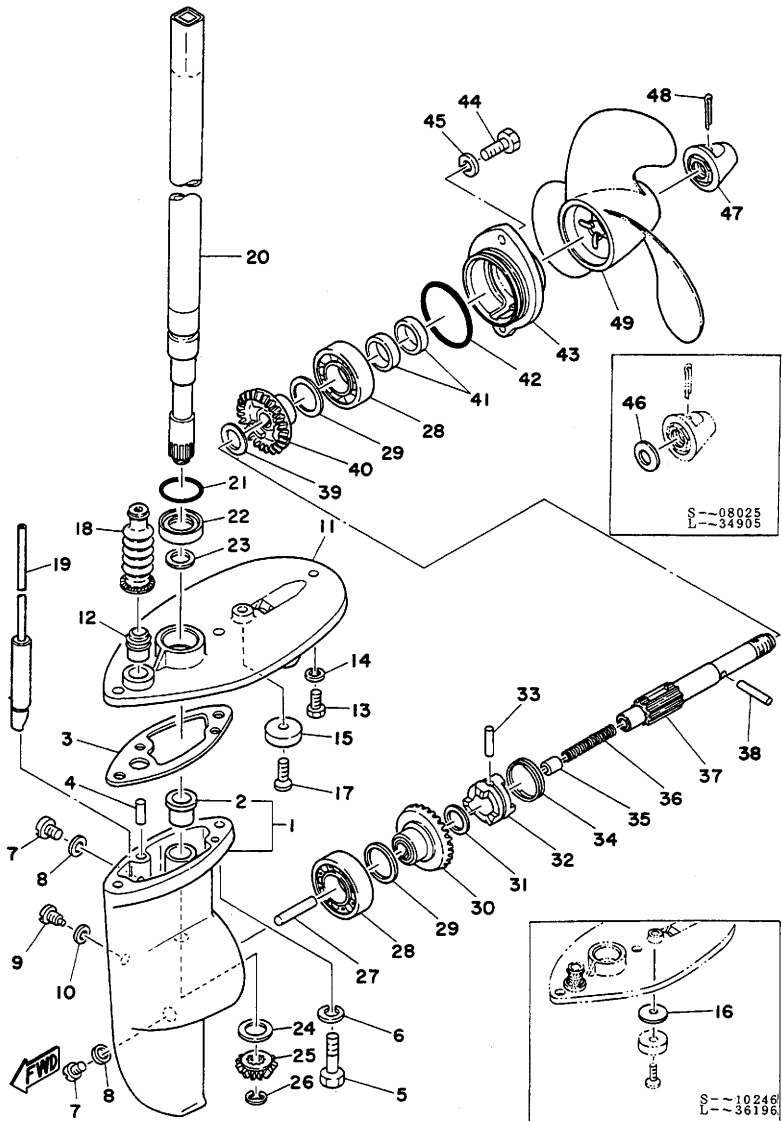
Fig. 6 LOWER CASING · DRIVE



# LOWER CASING-DRIVE

Ref. No.	Parts No.	Description	Qty	Applicable Machine No.	Remarks
6-25	654-45551-00	GEAR, pinion (13T) .....	1		
6-26	93430-07012	CIRCLIP (E-7) .....	1		
6-27	654-45635-00	PLUNGER, shift .....	1		
6-28	93306-00401	BEARING (B6004) .....	2		
6-29	654-45567-00-04	SHIM, gear adjust 1 (20.3-28-0.4) .....	} U.R 2		
	654-45567-00-05	SHIM, gear adjust 1 (20.3-28-0.5) .....			
	654-45567-00-06	SHIM, gear adjust 1 (20.3-28-0.6) .....			
	654-45567-00-07	SHIM, gear adjust 1 (20.3-28-0.7) .....			
6-30	654-45560-00	GEAR ASS'Y (25T) .....	1		
6-31	90201-12471	WASHER, plate (654-45566-00) ..	1		
6-32	654-45631-00	CLUTCH, dog .....	1	{ S~18545 L~41375	
	654-45631-01	CLUTCH, dog .....	1	{ S-18546~ L-41376~	
6-33	90250-05008	PIN, straight (654-45632-00) ...	1	{ S~18545 L~41375	
	90250-05046	PIN, straight .....	1	{ S-18546~ L-41376~	
6-34	93440-26041	CIRCLIP .....	1	{ S~18545 L~41375	
	654-45633-00	RING, cross pin .....	1	{ S-18546~ L-41376~	
6-35	648-45634-00	SLIDE, shift .....	1		
6-36	90501-10064	SPRING (616-45636-00) .....	1		
6-37	654-45611-00	SHAFT, propeller .....	1		
6-38	90250-05009	PIN, straight (603-45615-00) ...	1		
6-39	90201-13477	WASHER, plate (654-45576-00) ..	1		
6-40	654-45570-00	GEAR 2 ASS'Y (25T) .....	1		
6-41	93101-13055	OIL SEAL (S-13-22-6) .....	2		
◆ 6-42	93210-48214	O-RING (3.5-47.7) .....	1		
6-43	654-45361-00-F6	CAP, lower casing .....	1		Metallic Ocean Blue
6-44	97370-06020	BOLT, hexagon .....	2		

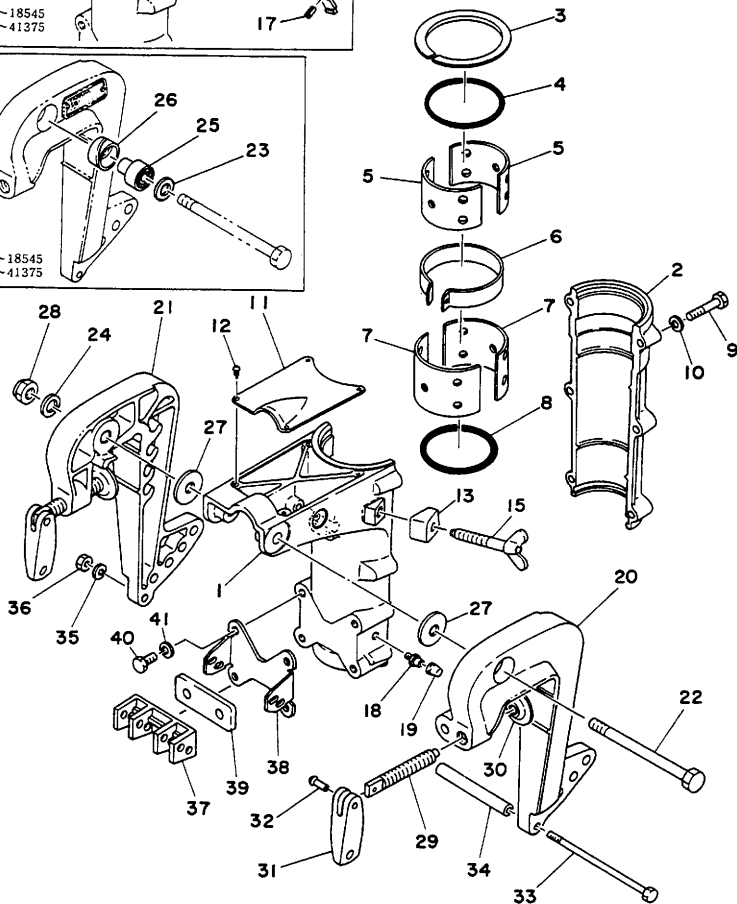
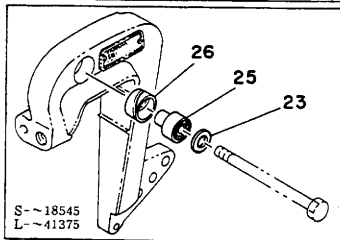
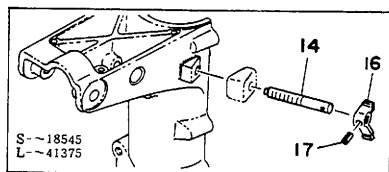
Fig. 6 LOWER CASING · DRIVE



# LOWER CASING-DRIVE

Ref. No.	Parts No.	Description	Q'ty	Applicable Machine No.	Remarks
6-45	92990-06100	WASHER, spring .....	2		
6-46	90201-13201	WASHER, plate (647-42833-00) ...	1	{ S~08025 L~34905	
6-47	647-45616-00	NUT, propeller .....	1	{ S~30090 L~46590	◇
	* 647-45616-01	NUT, propeller .....	1	{ S-30416~ L-47276~	
6-48	91490-30030	PIN, cotter .....	1		
6-49	654-45941-01-36	PROPELLER ASS'Y 1 (3 x 7 1/2 x 6 1/2 -B) .....	} U.R 1		White
	644-45941-01-36	PROPELLER ASS'Y 1 (3 x 7 1/4 x 5 -B) .....			White
	644-45943-01-36	PROPELLER ASS'Y 2 (3 x 7 1/4 x 5 1/2 -B) .....			White
	654-45943-01-36	PROPELLER ASS'Y 2 (3 x 7 1/4 x 7 1/4 -B) .....			White

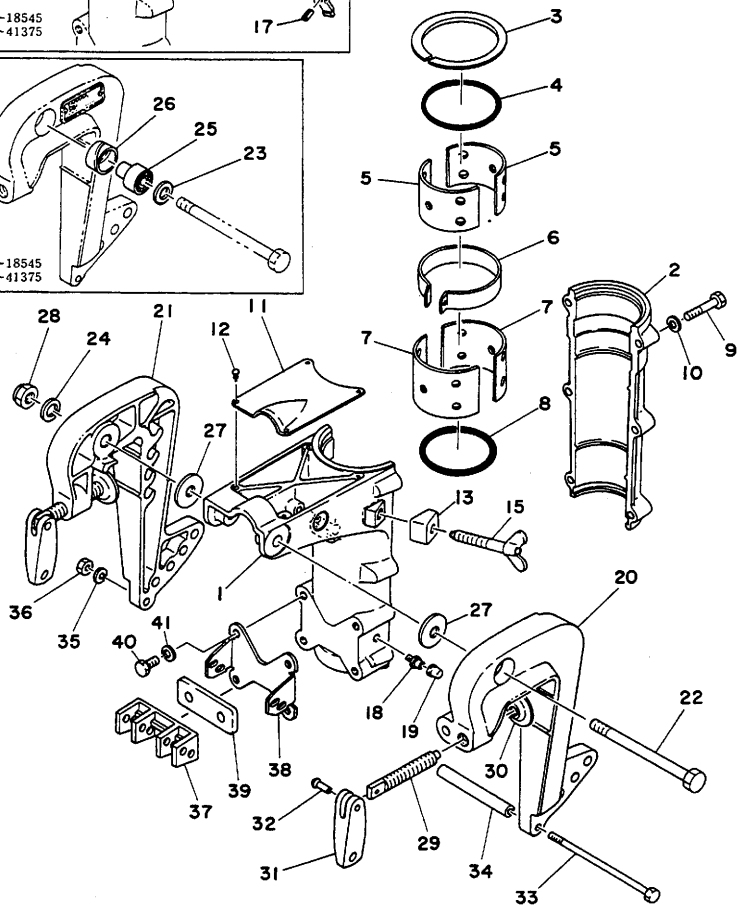
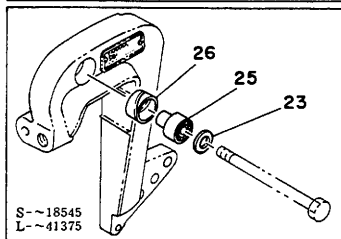
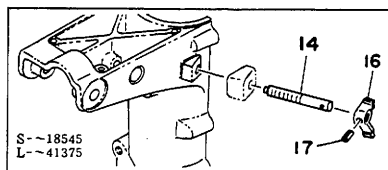
Fig. 7 BRACKET



# BRACKET

Ref. No.	Parts No.	Description	Q'ty	Applicable Machine No.	Remarks
7- 1	654-43311-00-F6	BRACKET, swivel 1	1	{ S~18545 L~41375	Metallic Ocean Blue
	654-43311-01-F6	BRACKET, swivel 1	1	{ S-18546~ L-41376~	Metallic Ocean Blue
7- 2	620-43312-00-F6	BRACKET, swivel 2	1		Metallic Ocean Blue
7- 3	90209-66017	WASHER (620-42535-00)	1		
7- 4	93210-61087	O-RING (4.2-61.3)	1		
7- 5	615-42537-00	BUSHING, pivot shaft 2	2	{ S~11565 L~36920	
	615-42537-01	BUSHING, pivot shaft 2	2	{ S-11566~ L-36921~	
7- 6	620-42528-00	PIECE, friction	1		
7- 7	616-42537-01	BUSHING, pivot shaft 1	2		
7- 8	93210-57086	O-RING (6.1-57.2)	1		
7- 9	97370-06035	BOLT, hexagon	6		
7-10	92990-06100	WASHER, spring	6		
7-11	654-43318-00-F6	COVER	1		Metallic Ocean Blue
7-12	90269-02002	RIVET (620-43397-00)	4		
7-13	620-43383-00	SEAL, rubber	1		
7-14	90149-08028	SCREW (620-42529-00)	1	{ S~18545 L~41375	
7-15	624-42529-00	SCREW, friction piece	1	{ S-18546~ L-41376~	
7-16	616-43372-00-F6	NUT, wing	1	{ S~18545 L~41375	Metallic Ocean Blue
7-17	91690-25014	PIN, spring	1	{ S~18545 L~41375	
7-18	93700-06004	NIPPLE, grease	1		
7-19	626-45119-00	CAP, grease nipple	1	{ S~15630 L~39170	
	663-45119-00	CAP, grease nipple	1	{ S-15631~ L-39171~	
7-20	654-43111-00-F6	BRACKET, clamp 1	1	{ S~18545 L~41375	Metallic Ocean Blue
	620-43111-00-F6	BRACKET, clamp 1	1	{ S-18546~ L-41376~	Metallic Ocean Blue
7-21	654-43112-00-F6	BRACKET, clamp 2	1	{ S~18545 L~41375	Metallic Ocean Blue
	620-43112-00-F6	BRACKET, clamp 2	1	{ S-18546~ L-41376~	Metallic Ocean Blue
7-22	90101-10189	BOLT, hexagon	1	{ S~18545 L~41375	
	90101-10073	BOLT, hexagon (620-43131-00)	1	{ S-18546~ L-41376~	

Fig. 7 BRACKET

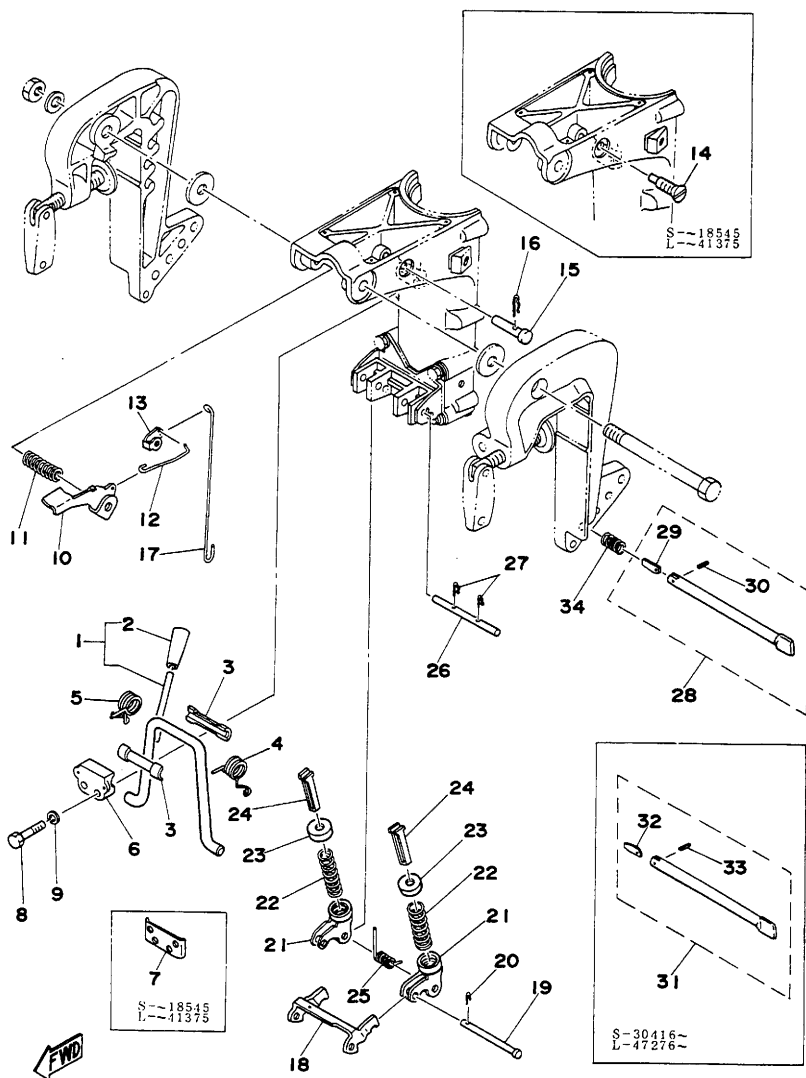




# BRACKET

Ref. No.	Parts No.	Description	Q'ty	Applicable Machine No.	Remarks
7-23	90201-12402	WASHER, plate .....	2	{ S~08615 L~35155	
	90201-10139	WASHER, plate (135-22244-00) ...	2	{ S~08616~18545 L~35156~41375	
7-24	92990-10100	WASHER, spring .....	1	{ S~18546~ L~41376~	
7-25	611-43135-00	RUBBER, bushing .....	2	{ S~18545 L~41375	
7-26	90386-22031	BUSHING .....	2	{ S~18545 L~41375	
7-27	90209-10019	WASHER (611-43132-01) .....	2	{ S~18545 L~41375	
	90201-10524	WASHER, plate .....	2	{ S~18546~ L~41376~	
7-28	90185-10038	NUT .....	2	{ S~18545 L~41375	
	95380-10600	NUT, hexagon .....	2	{ S~18546~ L~41376~	
7-29	90149-12029	SCREW (620-43116-00) .....	2		
7-30	648-43114-01	PAD, transom clamp .....	2		
7-31	616-43118-00-F6	HANDLE, transom clamp .....	2		Metallic Ocean Blue
7-32	90243-04001	PIN (620-43117-00) .....	2		
7-33	97370-06120	BOLT, hexagon .....	1	{ S~30090 L~46595	
	* 90101-06335	BOLT, hexagon .....	1	{ S~30416~ L~47276~	
7-34	90560-07008	SPACER (620-43141-00) .....	1		
7-35	92990-06100	WASHER, spring .....	1		
7-36	95380-06600	NUT, hexagon .....	1		
7-37	654-43351-01-F6	RECEIVER, thrust 1 .....	1	{ S~18950 L~41940	Metallic Ocean Blue
	654-43351-02-F6	RECEIVER, thrust 1 .....	1	}	Metallic Ocean Blue
7-38	654-43352-00-F6	RECEIVER, thrust 2 .....	1		{ S~18951~ L~41941~
7-39	654-44557-00	MOUNT RUBBER, lower front ....	1		
7-40	97370-06015	BOLT, hexagon .....	4		
7-41	92990-06100	WASHER, spring .....	4		

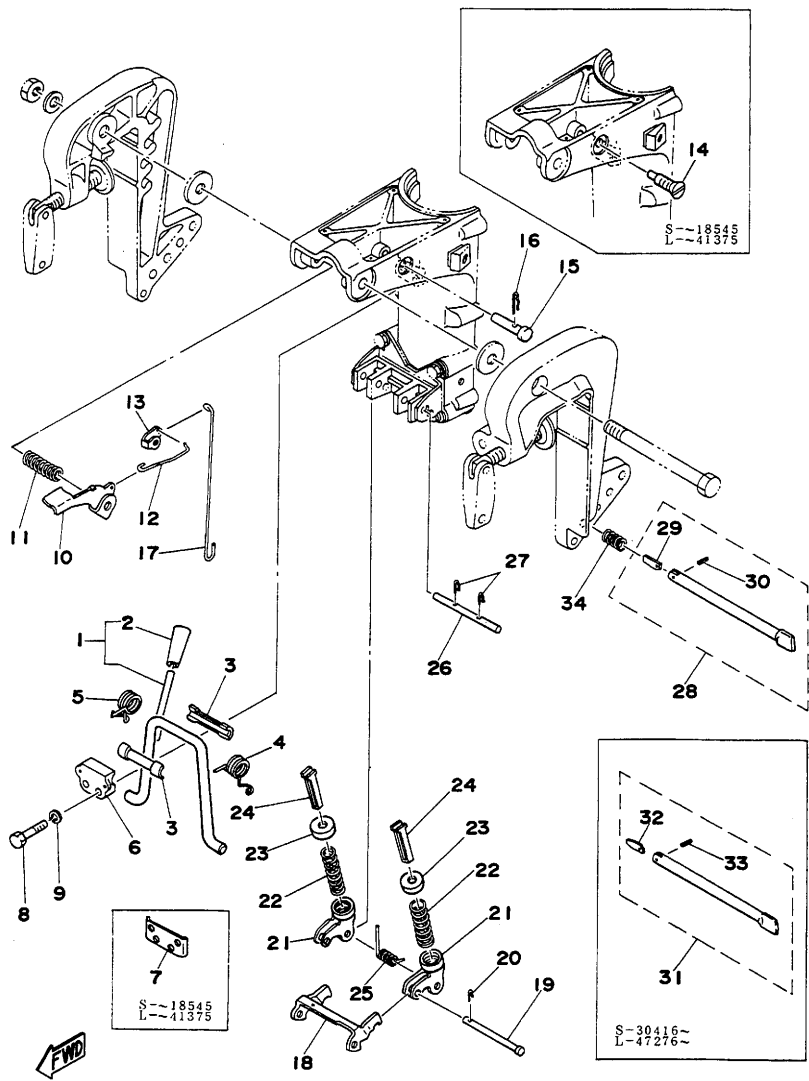
Fig. 8 TILT LOCK



# TILT LOCK

Ref. No.	Parts No.	Description	Q'ty	Applicable Machine No.	Remarks
8- 1	620-43180-09	TILT STOP LEVER ASS'Y	1		
8- 2	620-43632-00	. KNOB, tilt	1		
8- 3	620-43169-00	BUSHING	2		
8- 4	90508-20024	SPRING, torsion (620-43188-00)	1	{S~18545 L~41375	
	90508-16021	SPRING (647-43188-00)	1	{S-18546~ L-41376~	
8- 5	90508-16020	SPRING (647-43198-00)	1		
8- 6	620-43313-00-F6	BRACKET, swivel 3	1	{S~18545 L~41375	
	654-43313-00-F6	BRACKET, swivel 3	1	{S-18546~ L-41376~	
8- 7	620-43319-00	PLATE	1	{S~18545 L~41375	
8- 8	97370-06030	BOLT, hexagon	2	{S~18545 L~41375	
	97370-06020	BOLT, hexagon	2	{S-18546~ L-41376~	
8- 9	92990-06100	WASHER, spring	2		
8-10	654-43631-00	LEVER, tilt 1	1		
8-11	90501-16100	SPRING (654-43642-00)	1		
8-12	654-43616-01	ROD, tilt lock 1	1		
8-13	648-43642-00	LEVER, tilt 2	1		
8-14	90149-08004	SCREW (626-43645-00)	1	{S~18545 L~41375	
8-15	90240-06049	PIN, with hole	1	{S-18546~ L-41376~	
8-16	90468-18008	PIN, hair (620-43661-00)	1	{S-18546~ L-41376~	
8-17	654-43617-00	ROD, tilt lock 2	1		
8-18	654-43614-00	PLATE, tilt lock 1	1		
8-19	90240-05048	PIN, with hole	1		
8-20	90468-10005	PIN, hair (626-41235-00)	1		
8-21	647-43615-01	PLATE, tilt lock 2	2		
8-22	90501-26147	SPRING (647-43656-00)	2		
8-23	647-43627-01	STOPPER 1	2		
8-24	647-43613-00	ARM, tilt lock	2		
8-25	90508-23194	SPRING, torsion (654-43657-01)	1		
8-26	654-43659-00	SHAFT, reverse lock	2		

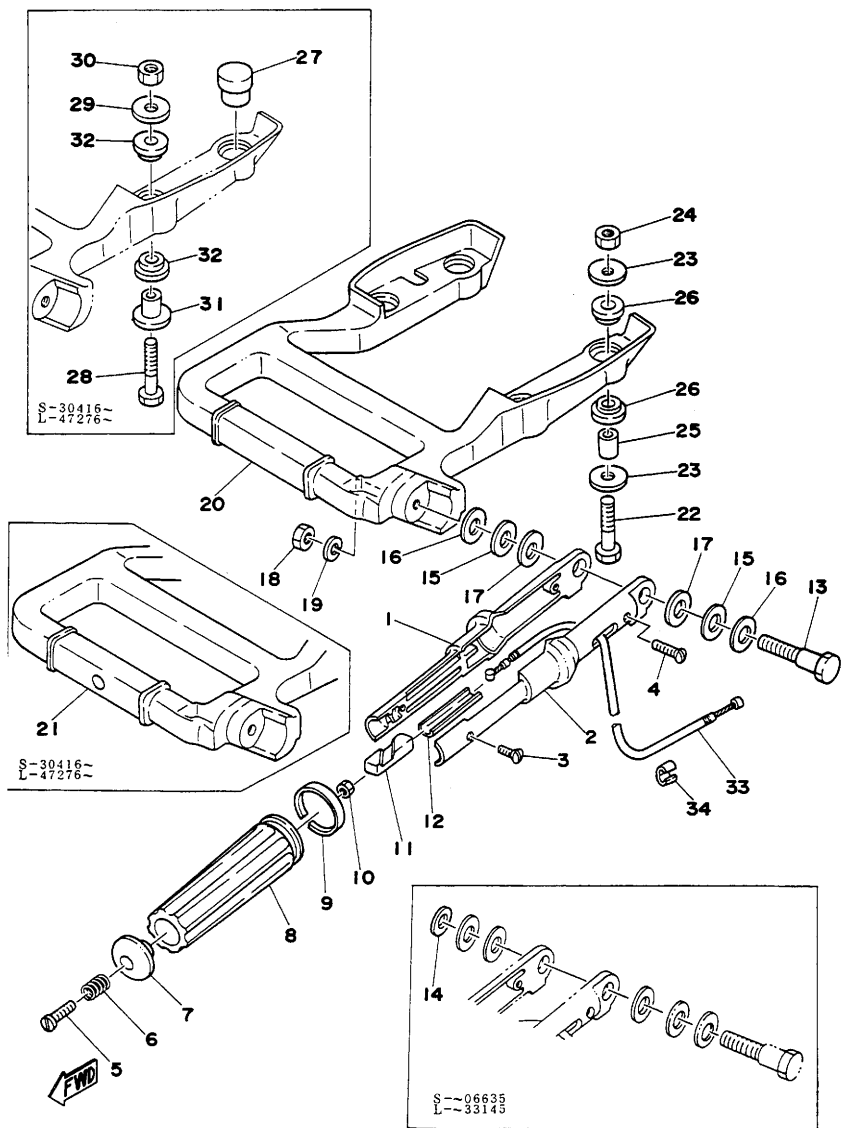
Fig. 8 TILT LOCK



# TILT LOCK

Ref. No.	Parts No.	Description	Q'ty	Applicable Machine No.	Remarks
8-27	90468-10003	PIN, hair (647-41235-00) .....	4		
8-28	620-43160-00	TILT ROD ASS'Y .....	1	S~30090 L~46595	◇
8-29	601-43165-00	. STOPPER PLATE .....	1		
8-30	91690-20008	. PIN, spring .....	1		
8-31	* 620-43160-01	TILT ROD ASS'Y .....	1	S-30416~ L-47276~	
8-32	* 656-43165-01	. STOPPER, tilt lock rod .....	1		
8-33	* 91690-30008	. PIN, spring .....	1		
8-34	90502-10014	SPRING (611-43162-00) .....	1		

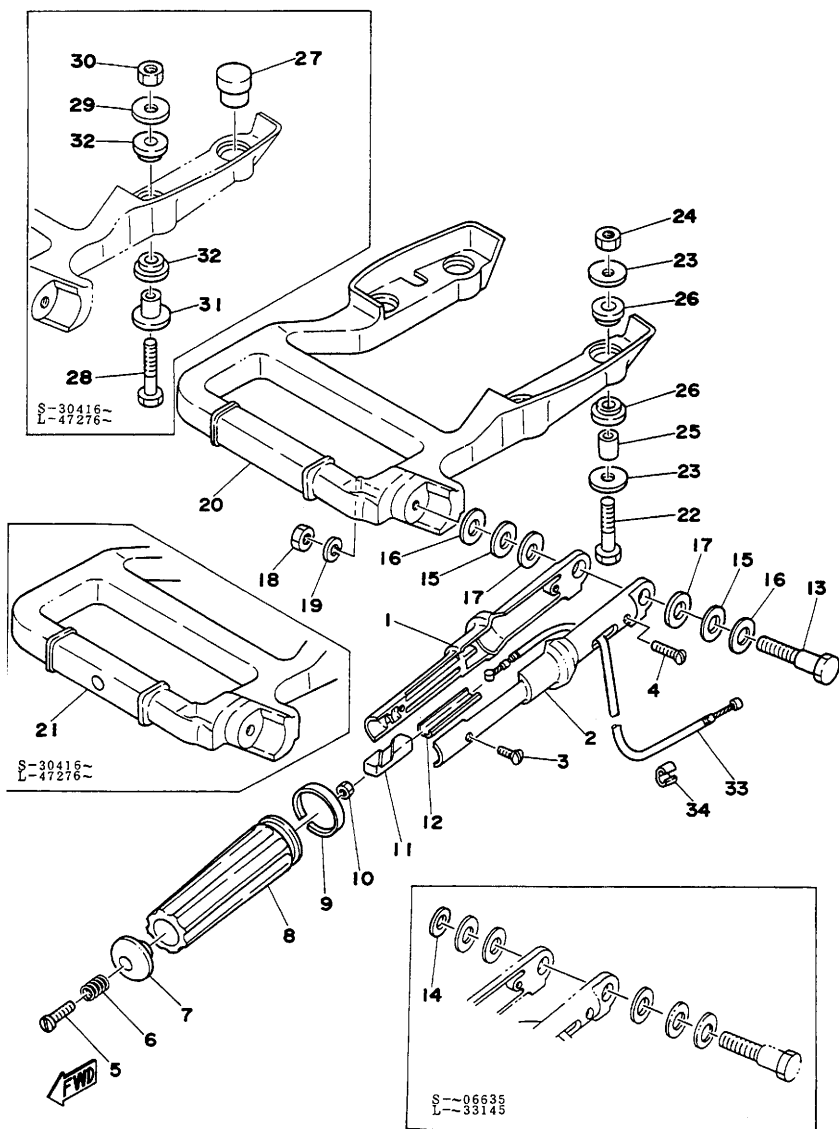
Fig. 9 HANDLE



## HANDLE

Ref. No.	Parts No.	Description	Q'ty	Applicable Machine No.	Remarks
9- 1	644-42111-01-F6	HANDLE, steering 1 .....	1		Metallic Ocean Blue
9- 2	644-42112-01-F6	HANDLE, steering 2 .....	1		
9- 3	98680-04012	SCREW, ovalhead .....	1	{S~18545 L~41375	
	98680-04015	SCREW, ovalhead .....	1	{S~18546~ L~41376~	
9- 4	98680-04020	SCREW, ovalhead .....	1		
9- 5	98380-05020	SCREW, cylinderhead .....	1		
9- 6	90501-09053	SPRING (624-42127-00) .....	1		
9- 7	624-42126-00-58	FRICTION, steering handle grip ..	1		Superlac Black
9- 8	624-42119-01	GRIP, steering handle .....	1		
9- 9	654-42137-00	INDICATOR, throttle .....	1		
9-10	95390-05600	NUT, hexagon .....	1		
9-11	624-42122-00	SLIDER .....	1		
9-12	624-42171-00	BUSHING 1 .....	1	{S~00801~ L~30751~	
9-13	90109-08037	BOLT (624-42123-00) .....	1	{S~06635 L~33145	
	90109-08345	BOLT, handle joint .....	1	{S~06636~ L~33146~	
9-14	90201-08108	WASHER, plate (624-42184-00) ...	1	{S~06635 L~33145	
9-15	90202-11028	WASHER, plate (624-42181-00) ...	2		
9-16	90201-12181	WASHER, plate (624-42183-00) ...	1	{S~06635 L~33145	
	90201-12181	WASHER, plate (624-42183-00) ...	2	{S~06636~ L~33146~	
9-17	90202-11029	WASHER, plate (624-42182-00) ...	2		
9-18	95380-08700	NUT, hexagon .....	1		
9-19	92990-08100	WASHER, spring .....	1		
9-20	661-42511-01-F6	BRACKET, steering .....	1	{S~06635 L~33145	Metallic Ocean Blue
	661-42511-03-F6	BRACKET, steering .....	1	{S~06636~30090 L~33146~46595	Metallic Ocean Blue
9-21	* 661-42511-80-F6	BRACKET, steering .....	1	{S~30416~ L~47276~	Metallic Ocean Blue
9-22	97370-08040	BOLT, hexagon .....	4	{S~30090 L~46595	
9-23	90201-08309	WASHER, plate (647-42548-00) ...	8	{S~30090 L~46595	
9-24	95303-08700	NUT, hexagon .....	4	{S~18546~30090 L~41376~46595	
9-25	90443-11005	PIPE 1 (647-42542-00) .....	4	{S~30090 L~46595	
9-26	647-42541-00	RUBBER 1 .....	8		

Fig. 9 HANDLE

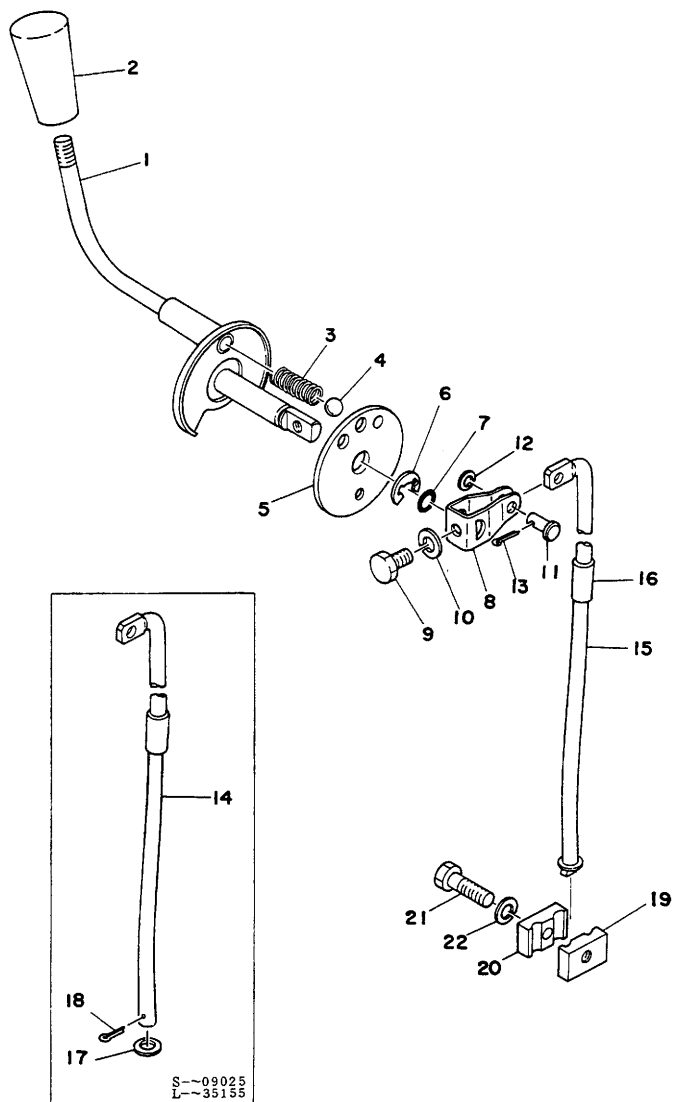




# HANDLE

Ref. No.	Parts No.	Description	Q'ty	Applicable Machine No.	Remarks
9-27	* 661-42551-00	GROMMET .....	2	} S-30416~ L-47276~	
9-28	97370-08040	BOLT, hexagon .....	2		
9-29	90201-08309	WASHER, plate (647-42548-00) ...	2		
9-30	95303-08700	NUT, hexagon .....	2		
9-31	* 655-42542-00	PIPE 1 .....	2		
9-32	647-42541-00	RUBBER 1 .....	4		
9-33	654-26311-00	WIRE, throttle .....	1		
9-34	90468-15009	CLIP, wire (207-26391-00) .....	1	} S-08616~ L-35156~	

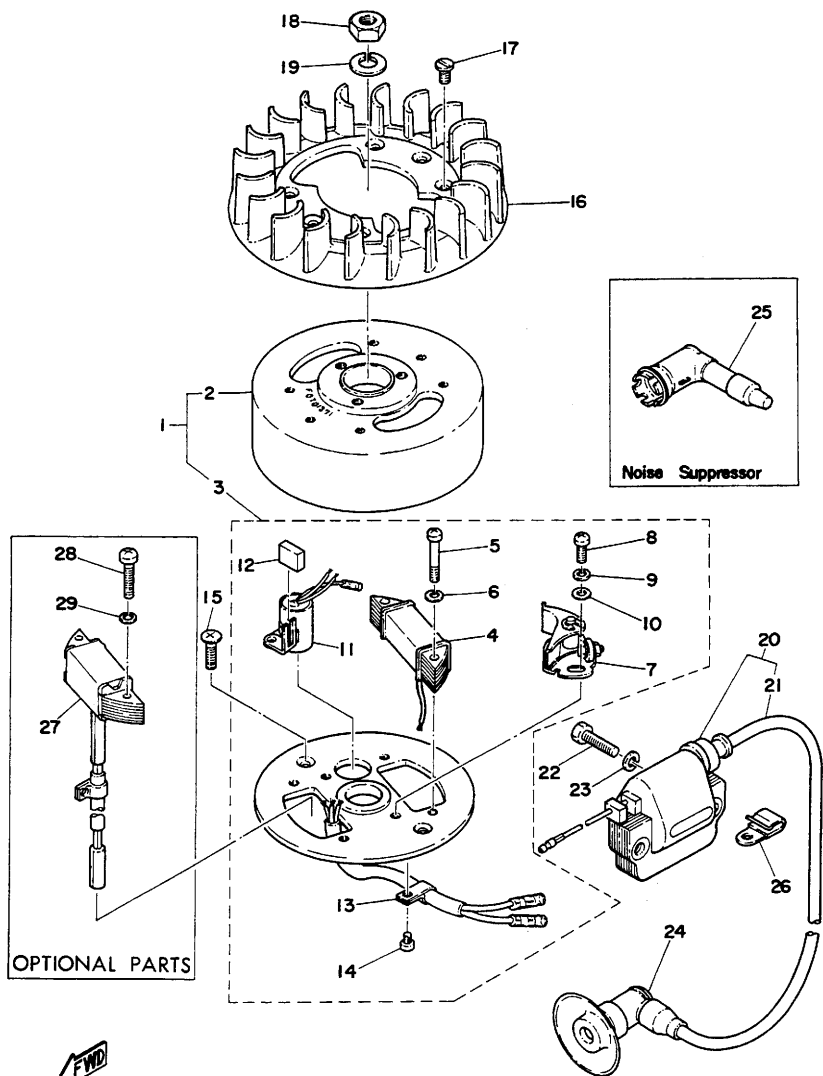
Fig. 10 GEAR SHIFT



# GEAR SHIFT

Ref. No.	Parts No.	Description	Q'ty	Applicable Machine No.	Remarks
10- 1	654-44120-01	HANDLE GEAR SHIFT ASS'Y	1		
10- 2	654-44111-00	HANDLE, gear shift	1		
10- 3	90501-12085	SPRING (611-44116-00)	1		
10- 4	93505-16006	BALL (5/16 inch)	1		
10- 5	654-44113-00	CAM PLATE	1		
10- 6	93430-08007	CIRCLIP (E-8)	1		
◇ 10- 7	93210-07222	O-RING (1.9-6.8)	1		
10- 8	654-44123-00	ARM, shift rod	1		
10- 9	97370-06012	BOLT, hexagon	1		
10-10	92990-06100	WASHER, spring	1		
10-11	90240-05038	JOINT (647-44142-00)	1		
10-12	92990-05600	WASHER, plate	1		
10-13	91490-16010	PIN, cotter	1		
10-14	654-44143-00	ROD, shift 1 (Standard 465mm)	1	S~09025	
	654-44143-10	ROD, shift 1 (Long 600mm)	1	L~35155	
10-15	654-44143-01	ROD, shift 1 (Standard 464mm)	1	S-09026~	
	654-44143-11	ROD, shift 1 (Long 599mm)	1	L-35156~	
10-16	90445-09055	HOSE (278-14485-00 5-9-27)	1		
10-17	92990-06200	WASHER, plain	1	} S~09025 L~35155	
10-18	91490-25012	PIN, cotter	1		
10-19	616-44146-01	CONNECTOR, shift rod 2	1		
10-20	616-44145-01	CONNECTOR, shift rod 1	1		
10-21	97370-06020	BOLT, hexagon	1		
10-22	92990-06100	WASHER, spring	1		

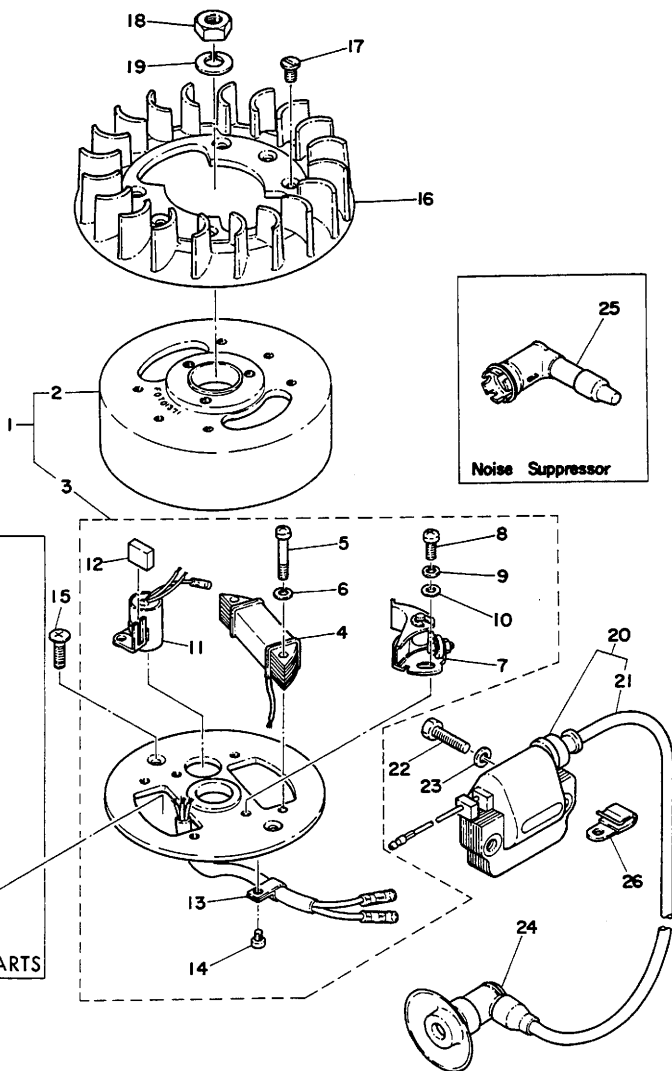
Fig. 11 FLYWHEEL MAGNETO



# FLYWHEEL MAGNETO

Ref. No.	Parts No.	Description	Q'ty	Applicable Machine No.	Remarks
11- 1	654-81300-21	FLYWHEEL MAGNETO ASS'Y.....	1	{ S-30090 L-46595	
	* 654-81300-22	FLYWHEEL MAGNETO ASS'Y.....	1	{ S-30416~ L-47276~	
11- 2	654-81350-20	. ROTOR ASS'Y .....	1		
11- 3	654-81310-20	. BASE ASS'Y .....	1	{ S~30090 L~46595	
	* 654-81310-22	. BASE ASS'Y .....	1	{ S-30416~ L-47276~	
11- 4	654-81311-20	. . COIL, ignition .....	1	{ S~30090 L~46595	
	* 654-81311-22	. . COIL, ignition .....	1	{ S-30416~ L-47276~	
11- 5	98501-04032	. . SCREW, panhead .....	2		
11- 6	92901-04100	. . WASHER, spring .....	2		
11- 7	654-81321-20	. . CONTACT BREAKER ASS'Y ..	1		
11- 8	98501-04012	. . SCREW, panhead .....	1		
11- 9	92901-04100	. . WASHER, spring .....	1		
11-10	92901-04200	. . WASHER, plain .....	1		
11-11	654-81325-20	. . CONDENSER .....	1		
11-12	116-81331-20	. . LUBRICATOR .....	1		
11-13	603-81328-20	. . CLAMP, lead .....	1		
11-14	98501-04006	. . SCREW, panhead .....	1		
11-15	98703-05018	SCREW, flathead .....	2		
11-16	654-81361-00	FAN, brade .....	1		
11-17	98203-05008	SCREW, flathead .....	6		
11-18	95303-10600	NUT, hexagon .....	1		
11-19	92903-10100	WASHER, spring .....	1		
11-20	654-82310-20	IGNITION COIL ASS'Y .....	1	{ S~30090 L~46595	
	* 654-82310-21	IGNITION COIL ASS'Y .....	1	{ S-30416~ L-47276~	
11-21	650-82340-10	. CORD, hightension .....	1		
11-22	97323-06025	BOLT, hexagon .....	2		
11-23	92903-06100	WASHER, spring .....	2		
11-24	661-82370-00	PLUG CAP ASS'Y .....	1		
11-25	650-82370-00	PLUG CAP ASS'Y .....	1		Noise Suppressor

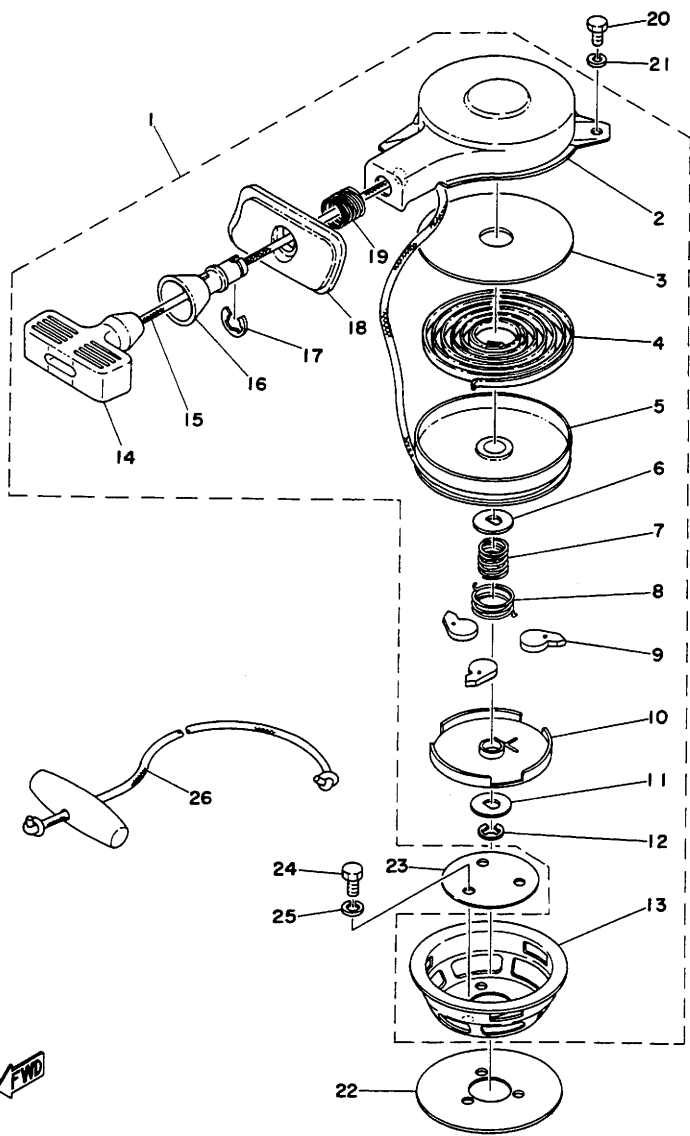
Fig. 11 FLYWHEEL MAGNETO



# FLYWHEEL MAGNETO

Ref. No.	Parts No.	Description	Q'ty	Applicable Machine No.	Remarks
11-26	90465-06038	CLAMP (650-82362-00) .....	1		
11-27	654-81313-G0	COIL, lighting (12V-50W) .....	1		Optional Parts
11-28	98503-05025	SCREW, panhead .....	2		Optional Parts
11-29	92903-05100	WASHER, spring .....	2		Optional Parts

Fig. 12 STARTER

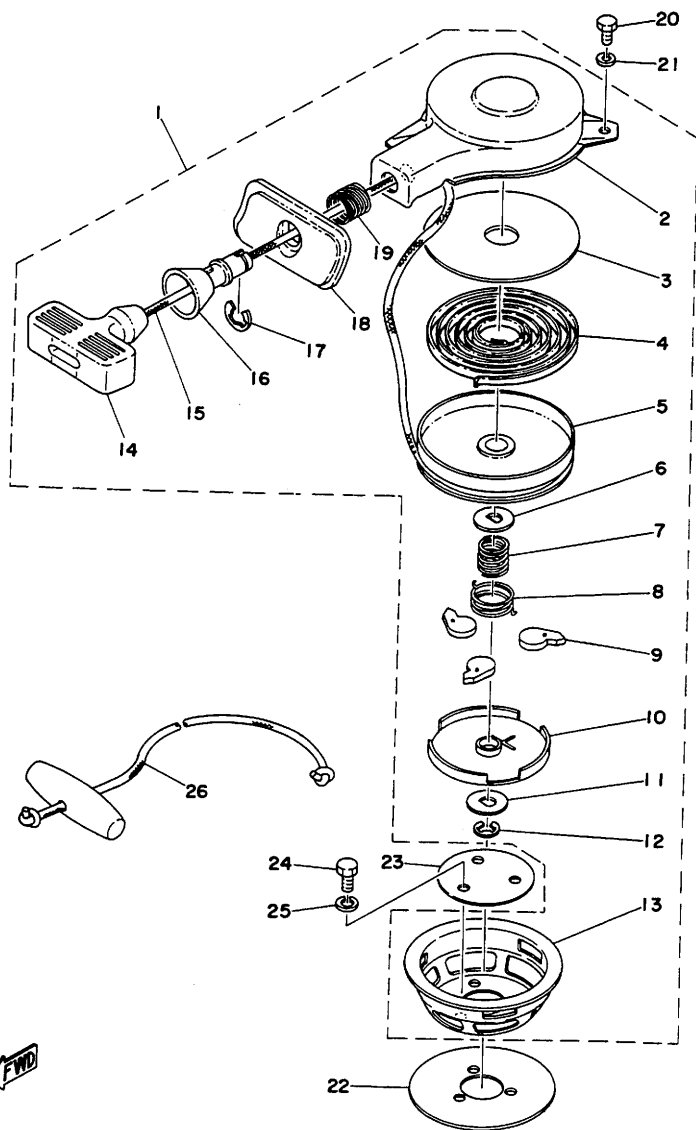




# STARTER

Ref. No.	Parts No.	Description	Q'ty	Applicable Machine No.	Remarks
12- 1	661-15710-01-36	STARTER ASS'Y .....	1	{ S~28315 L~44385	White
	661-15710-02-36	STARTER ASS'Y .....	1	{ S-28316~30090 L-44386~46595	White
	* 661-15710-03-33	STARTER ASS'Y .....	1	{ S-30416~ L-47276~	Yamaha Black
12- 2	661-15711-00-36	. CASE, starter .....	1	{ S~28315 L~44385	White
	661-15711-01-36	. CASE, starter .....	1	{ S-28316~ L-44386~	White
12- 3	615-15724-00	. PLATE, slide .....	1		
12- 4	619-15713-01	. SPRING, starter .....	1		
12- 5	619-15714-00	. DRUM, sheave .....	1		
12- 6	619-15719-01	. WASHER, thrust 1 .....	1	{ S~30090 L~46595	
	* 619-15719-02	. WASHER, thrust 1 .....	1	{ S-30416~ L-47276~	
12- 7	619-15715-00	. SPRING, drive plate .....	1		
12- 8	619-15734-00	. SPRING, return .....	1		
12- 9	619-15741-00	. PAWL, drive .....	3	{ S~30090 L~46595	
	* 615-15741-01	. PAWL, drive .....	3	{ S-30416~ L-47276~	
12-10	615-15716-00	. PLATE, drive .....	1		
12-11	615-15719-00	. WASHER, thrust 1 .....	1		
12-12	93430-07020	. CIRCLIP .....	1		
12-13	654-15723-00	. PULLEY, starter .....	1		
12-14	619-15755-01	. HANDLE, starter .....	1		
12-15	615-15751-00	. WIRE, starter .....	1	{ S~30090 L~46595	
	* 615-15751-01	. WIRE, starter .....	1	{ S-30416~ L-47276~	
12-16	661-15758-00	. GUIDE, wire .....	1		
12-17	93430-10016	. CIRCLIP .....	1		
12-18	661-15761-00	. DEFENSER .....	1		
12-19	661-15767-00	. SPRING, defenser .....	1		
12-20	97323-06012	BOLT, hexagon .....	3		
12-21	92903-06100	WASHER, spring .....	3		
12-22	654-81362-00	COVER, hole .....	1		
12-23	661-81363-00	COVER, hole 2 .....	1	{ S-12656~ L-37626~	

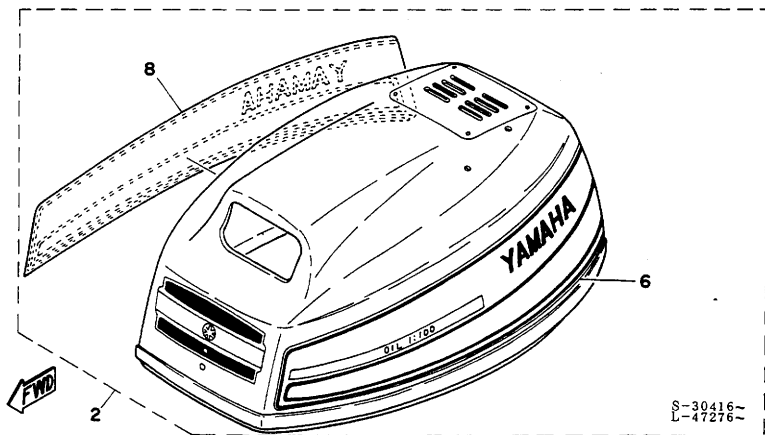
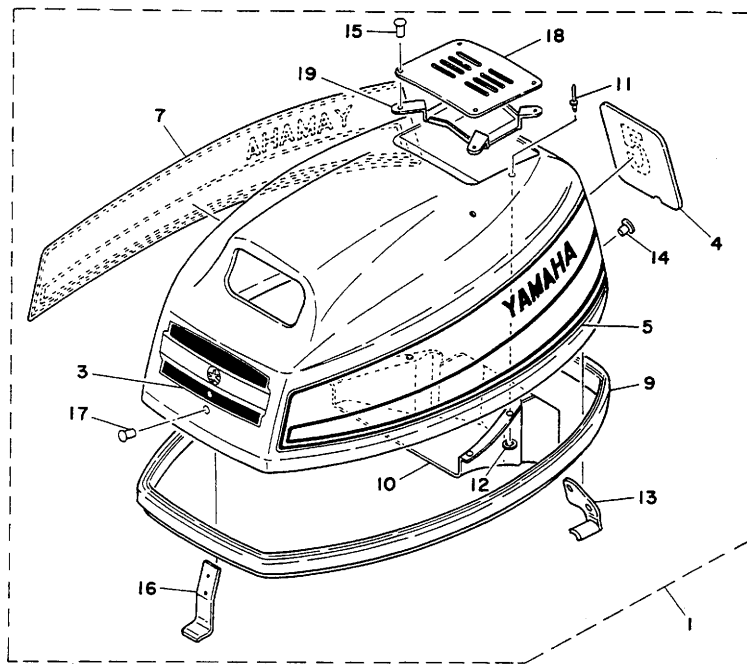
Fig. 12 STARTER



# STARTER

Ref. No.	Parts No.	Description	Qty	Applicable Machine No.	Remarks
12-24	97323-06012	BOLT, hexagon .....	3		
12-25	92903-06100	WASHER, spring .....	3		
12-26	647-15780-01	EMERGENCY STARTER ASS'Y ...	1	S~30090 L~46595	
	* 646-15710-02	STARTER ASS'Y .....	1	S-30416~ L-47276~	

Fig. 13 TOP COWLING

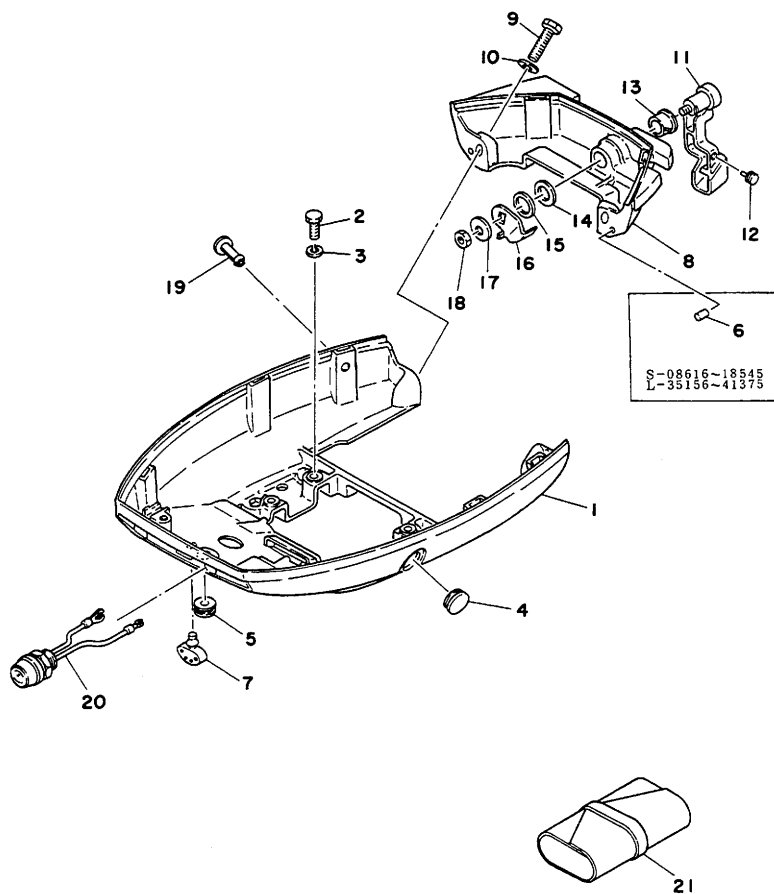


S-30416~  
L-47276~

# TOP COWLING

Ref. No.	Parts No.	Description	Q'ty	Applicable Machine No.	Remarks
13- 1	661-42610-03-F6	TOP COWLING ASS'Y .....	1	{ S~30415 L~47275	Metallic Ocean Blue
13- 2	* 661-42610-80-F6	TOP COWLING ASS'Y .....	1	{ S-30416~ L-47276~	Metallic Ocean Blue
13- 3	661-42677-00	. GRAPHIC, front 1 .....	1	{ S~21265 L~42930	
	661-42677-01	. GRAPHIC, front 1 .....	1	{ S-21266~ L-42931~	
13- 4	661-42678-00	. GRAPHIC, rear .....	1	{ S~21265 L~42930	
	661-42678-01	. GRAPHIC, rear .....	1	{ S-21266~ L-42931~	
13- 5	661-42675-01	. GRAPHIC, side 1 .....	1	{ S~21265 L~42930	
	661-42675-02	. GRAPHIC, side 1 .....	1	{ S-21266~ 30415 L-42931~ 47275	
13- 6	* 661-42675-80	. GRAPHIC, side 1 .....	1	{ S-30416~ L-47276~	
13- 7	661-42676-01	. GRAPHIC, side 2 .....	1	{ S~21265 L~42930	
	661-42676-02	. GRAPHIC, side 2 .....	1	{ S-21266~ 30415 L-42931~ 47275	
13- 8	* 661-42676-80	. GRAPHIC, side 2 .....	1	{ S-30416~ L-47276~	
13- 9	661-42615-00	. SEAL .....	1		
13-10	661-42612-02	. AIR DUCT, top cowling .....	1		
13-11	90267-40004	. RIVET (802-77155-00) .....	4		
13-12	90201-04014	. WASHER, plate (322-21747-00) ..	4		
13-13	661-42647-01	. HOLDER, clamp band .....	1		
13-14	90266-04007	. RIVET .....	2		
13-15	90267-40004	. RIVET, blind (802-77155-00) ...	4		
13-16	661-42651-01	. HOOK 1 .....	1		
13-17	90266-04007	. RIVET .....	2		
13-18	661-42613-00-F6	. MOLDING, air duct .....	1		Metallic Ocean Blue
13-19	661-42618-00-F6	. AIR SHROUD, top cowling .....	1		Metallic Ocean Blue

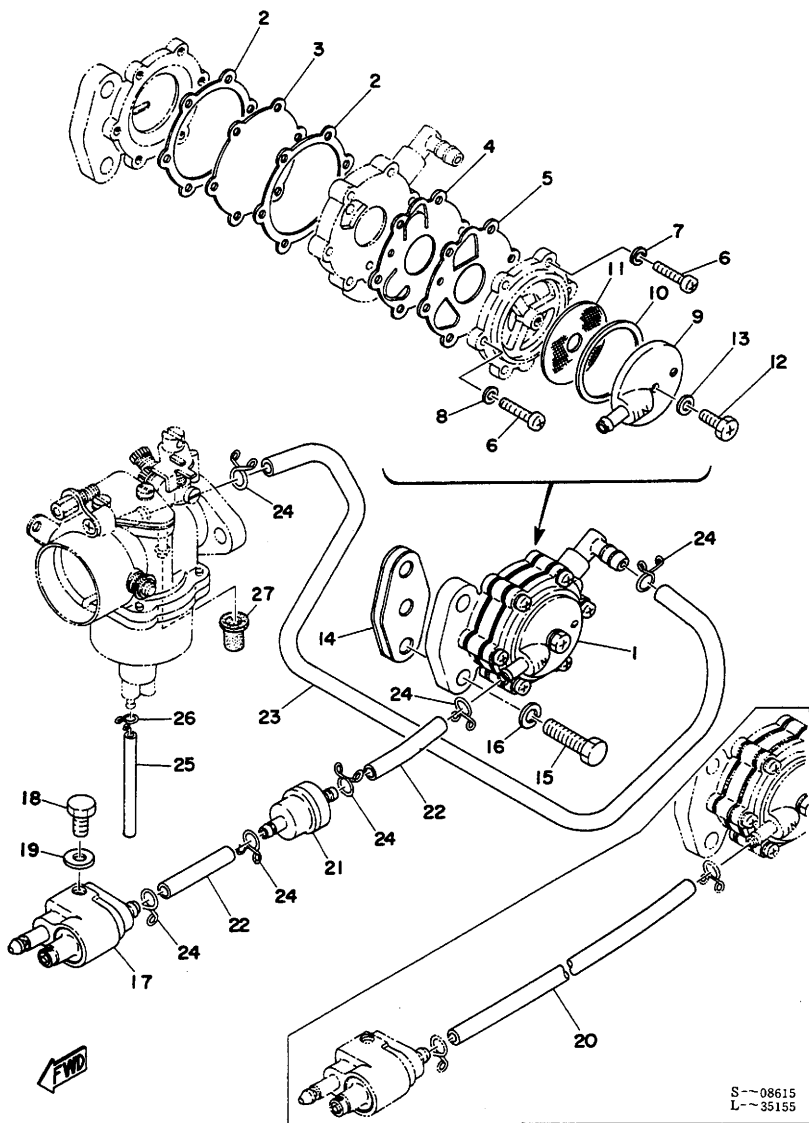
Fig. 14 BOTTOM COWLING



## BOTTOM COWLING

Ref. No.	Parts No.	Description	Q'ty	Applicable Machine No.	Remarks
14- 1	661-42711-60-F6	COWLING, bottom 1 .....	1	{S~18545 L~41375	Metallic Ocean Blue
	661-42711-80-F6	COWLING, bottom 1 .....	1	{S~18546~ L~41376~	Metallic Ocean Blue
14- 2	97323-06018	BOLT, hexagon .....	4		
14- 3	92903-06100	WASHER, spring .....	4		
14- 4	90480-19030	GROMMET (612-42724-00) .....	1		
14- 5	90480-12014	GROMMET (612-26326-00) .....	1		
14- 6	93606-12019	PIN, dowel B (6-12) .....	2	{S08616~18545 L35156~41375	
14- 7	606-42591-00	HOLDER, share pin .....	1		
14- 8	661-42712-01-F6	COWLING, bottom 2 .....	1	{S~18545 L~41375	◇ Metallic Ocean Blue
	661-42712-02-F6	COWLING, bottom 2 .....	1	{S~18546~ L~41376~	Metallic Ocean Blue
14- 9	97323-08030	BOLT, hexagon .....	2		
14-10	92903-08100	WASHER, spring .....	2		
14-11	661-42815-00-F6	LEVER, clamp 1 .....	1		Metallic Ocean Blue
14-12	90480-04166	GROMMET .....	1	{S09026~ L-35621~	
14-13	90386-13038	BUSHING .....	1		
14-14	90201-13203	WASHER, plate (650-42838-00) ...	1		
14-15	90206-13019	WASHER, wave (626-42832-00) ...	1		
14-16	661-42816-01	LEVER, clamp 2 .....	1		
14-17	90201-06068	WASHER, plate (620-24576-00) ...	1		
14-18	95303-06700	NUT, hexagon .....	1		
14-19	661-42724-00	GROMMET .....	1	{S~18546~ L~41376~	
14-20	661-82550-00	STOP SWITCH ASS'Y .....	1		
14-21	617-28100-10	TOOL ASS'Y .....	1		

Fig. 15 FUEL PUMP · PIPING

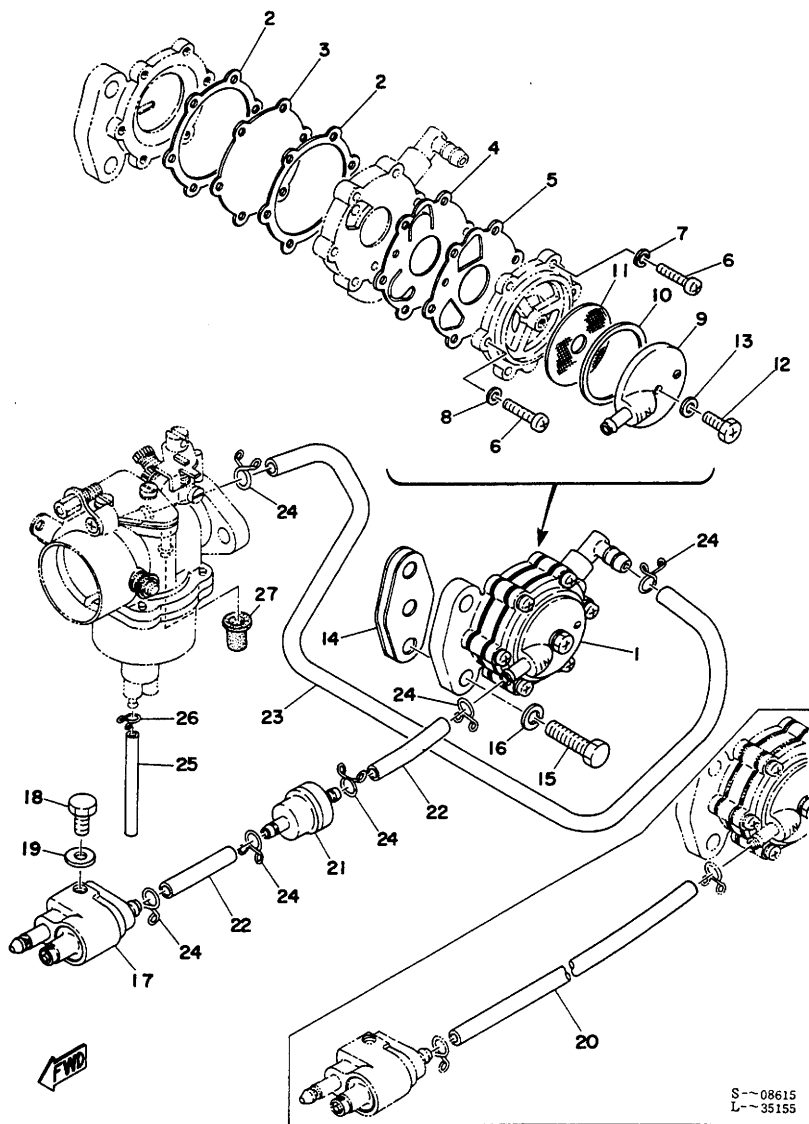




# FUEL PUMP · PIPING

Ref. No.	Parts No.	Description	Q'ty	Applicable Machine No.	Remarks
15- 1	661-24410-01	FUEL PUMP ASS'Y .....	1	{ S~30090 L~46595	◇
	* 661-24410-02	FUEL PUMP ASS'Y .....	1	{ S-30416~ L-47276~	
15- 2	801-24434-00	. PACKING, seat .....	2	{ S~30090 L~46595	◇
	* 647-24434-00	. PACKING, seat .....	2	{ S-30416~ L-47276~	
15- 3	626-24411-00	. DIAPHRAGM .....	1		
15- 4	801-24421-00	. VALVE, check .....	1		
15- 5	801-24435-00	. PACKING, valve .....	1		
15- 6	98503-04018	. SCREW, panhead .....	6		
15- 7	92990-04100	. WASHER, spring .....	5		
15- 8	801-24438-00	. PACKING, seat .....	1		
15- 9	801-24415-00	. COVER, pump .....	1		
15-10	801-24436-00	. PACKING, cover .....	1		
15-11	801-24451-00	. STRAINER .....	1		
15-12	801-24444-00	. SCREW, pump cover .....	1		
15-13	801-24437-00	. PACKING, seat .....	1		
★15-14	622-24431-00	GASKET, fuel pump .....	1		
15-15	97323-06025	BOLT, hexagon .....	2		
15-16	92903-06100	WASHER, spring .....	2		
15-17	655-24304-01	FUEL PIPE JOINT COMP. 1 .....	1		
15-18	97323-06012	BOLT, hexagon .....	1		
15-19	92903-06600	WASHER, plate .....	1		
15-20	90445-09077	HOSE (650-24312-00 5-9-135) .....	1	{ S~08615 L~35155	
15-21	646-24251-01	STRAINER 1 .....	1	{ S-08616~ L-35156~	
15-22	90445-09059	HOSE (626-24313-00 5-9-59) .....	2	{ S~08615 L~35155	
	90445-09243	HOSE (5-9-55) .....	2	{ S-08616~ L-35156~	
15-23	90445-09114	HOSE (647-24314-00 5-9-500) .....	1		
15-24	90467-08002	CLIP (647-24356-00) .....	6	{ S~08615 L~35155	
	90467-08004	CLIP (616-24356-00) .....	6	{ S-08616~ L-35156~	

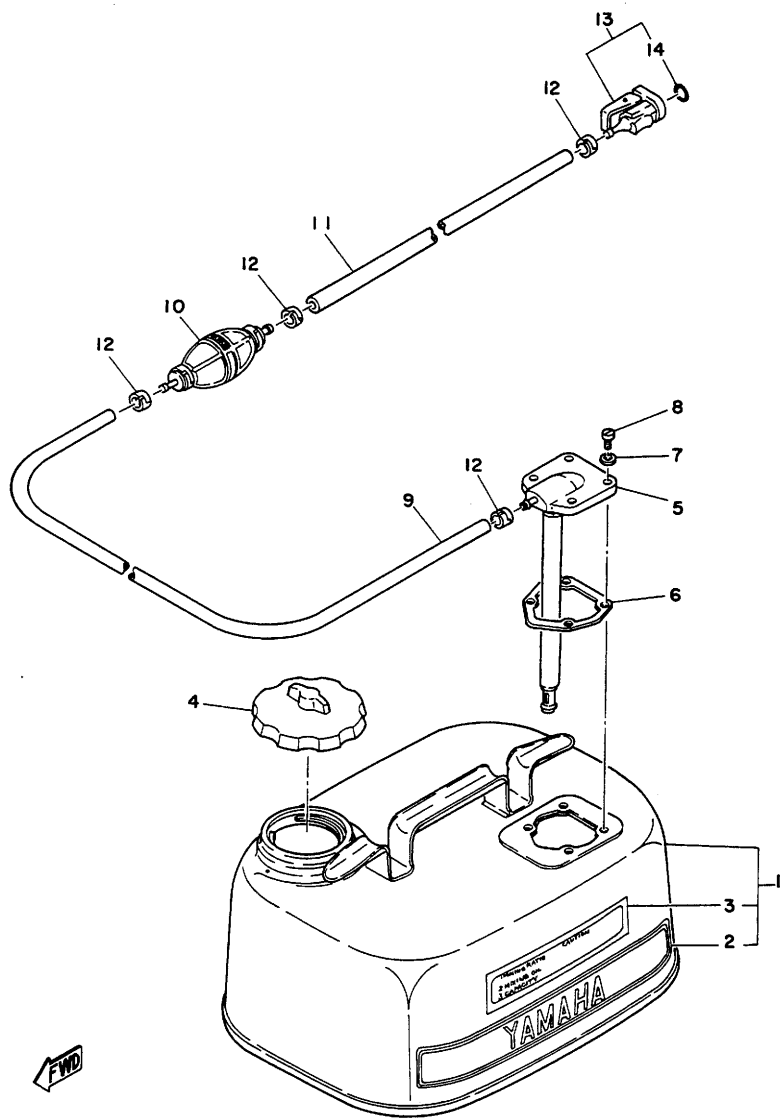
Fig. 15 FUEL PUMP · PIPING



## FUEL PUMP · PIPING

Ref. No.	Parts No.	Description	Q'ty	Applicable Machine No.	Remarks
15-25	90445-05241	HOSE (3-5-26) .....	1		
15-26	90467-05001	CLIP (615-14159-00) .....	1		
15-27	* 647-14395-60	CAP, over flow .....	1	S-30416~ L47276~	

Fig.16 FUEL TANK (12ℓ)



# FUEL TANK (12ℓ)

Ref. No.	Parts No.	Description	Q'ty	Applicable Machine No.	Remarks
16- 1	655-24201-80-24	FUEL TANK COMP. ....	1		Light Vermilion
16- 2	655-24244-80	.GRAPHIC, side .....	2		
16- 3	655-24245-80	.GRAPHIC .....	1		
16- 4	647-24610-02	CAP ASS'Y .....	1		
16- 5	655-24275-60	METER FUEL COMP. ....	1		
16- 6	663-24268-00	GASKET, housing fuel meter .....	1		
16- 7	630-24329-00	SEAL(5.5-10-1) .....	4		
16- 8	98580-05015	SCREW, panhead .....	4		
16- 9	90445-12156	HOSE (650-24311-00 6-11.5-1500)	1		
16-10	650-24360-01	PRIMARY PUMP ASS'Y .....	1		
16-11	90445-12155	HOSE (650-24313-00 6-11.5-1000)	1		
16-12	650-24351-00	BAND, fuel pipe 1 .....	4		
16-13	655-24305-00	FUEL PIPE JOINT COMP. 2 .....	1		
16-14	93210-08287	.O-RING(3.0-8.0) .....	1		



# NUMERICAL INDEX







# NUMERICAL INDEX

Ref No.	Parts No.	Ref No.	Parts No.	Ref No.	Parts No.
11-12	116-81331-20	12- 8	619-15734-00	5-33	642-45274-00-F6
2-10	122-11633-00	12- 9	619-15741-00	6- 3	642-45315-00
2- 6	122-11681-00	12-14	619-15755-01	2-12	644-11610-00
2- 6	122-11681-01	1-27	620-11111-00-94	2-13	644-11610-10
2-15	136-11561-00-03	1-17	620-11351-00	2-13	644-11610-20
2-15	136-11561-00-04	2- 1	620-11400-01	2- 8	644-11631-01-96
2-15	136-11561-00-05	2-16	620-11650-00	2- 8	644-11631-01-97
2-15	136-11561-00-06	2- 4	620-11651-00	2- 8	644-11631-01-98
2-15	136-11561-00-07	3-14	620-13647-00	2- 8	644-11631-02-96
2-15	136-11561-00-08	3-30	620-26316-00	2- 8	644-11631-02-97
8-29	601-43165-00	7-20	620-43111-00-F6	2- 8	644-11631-02-98
11-13	603-81328-20	7-21	620-43112-00-F6	2- 9	644-11635-01
14- 7	606-42591-00	8-28	620-43160-00	2- 9	644-11635-02
7-25	611-43135-00	8-31	620-43160-01	2- 9	644-11636-01
1-26	615-11181-00	8- 1	620-43180-09	2- 9	644-11636-02
2- 2	615-11412-01	8- 3	620-43189-00	1-19	644-41131-04-85
2- 3	615-11422-02	7- 2	620-43312-00-F6	5- 4	644-41133-02
12-10	615-15716-00	8- 6	620-43313-00-F6	5- 5	644-41137-01
12-11	615-15719-00	8- 7	620-43319-00	9- 1	644-42111-01-F6
12- 3	615-15724-00	7-13	620-43383-00	9- 2	644-42112-01-F6
12- 9	615-15741-01	8- 2	620-43632-00	6-49	644-45941-01-36
12-15	615-15751-00	3-36	624-11379-00	6-49	644-45943-01-36
12-15	615-15751-01	3-31	624-14485-00	4-32	646-14223-01
1-20	615-41133-00	9- 8	624-42119-01	4-30	646-14394-00
7- 5	615-42537-00	9-11	624-42122-00	4-33	646-14397-00
7- 5	615-42537-01	9- 7	624-42126-00-58	12-26	646-15710-02
7- 7	616-42537-01	9-12	624-42171-00	4-36	647-14161-00
7-31	616-43118-00-F6	7-15	624-42529-00	15-27	647-14395-60
7-16	616-43372-00-F6	5- 3	624-45114-00	12-26	647-15780-01
10-20	616-44145-01	5- 8	624-45114-01	16- 4	647-24610-02
10-19	616-44146-01	4- 6	626-14326-00	9-26	647-42541-00
6-15	616-45251-30	4-49	626-14349-00	9-32	647-42541-00
6-16	616-45252-30	4-22	626-14385-00	8-24	647-43613-00
14-21	617-28100-10	4-24	626-14386-00	8-21	647-43615-01
12- 4	619-15713-01	4-23	626-14387-00	8-23	647-43627-01
12- 5	619-15714-00	4-13	626-14398-00	6-18	647-44147-00
12- 7	619-15715-00	7-19	626-45119-00	6-12	647-44152-01
12- 6	619-15719-01	5-32	642-45273-00	6- 2	647-45316-09
12- 6	619-15719-02			6-24	647-45533-00-08

# NUMERICAL INDEX

Ref No.	Parts No.	Ref No.	Parts No.	Ref No.	Parts No.
6-24	647-45533-00-10	4-15	654-14334-00	10-14	654-44143-10
6-24	647-45533-00-12	4- 4	654-14337-00	10-15	654-44143-11
6-24	647-45533-00-14	4- 8	654-14341-00	6-19	654-44150-00
6-47	647-45616-00	4- 3	654-14342-23	5-16	654-44361-00
6-47	647-45616-01	4- 3	654-14342-24	5-16	654-44361-10
4-16	648-14323-00	4- 5	654-14346-00	5-19	654-44361-40
4-17	648-14334-00	4- 2	654-14347-00	5-19	654-44361-80
7-30	648-43114-01	4-48	654-14357-00	7-39	654-44557-00
8-13	648-43642-00	4-44	654-14363-00	5- 2	654-45113-00
6-35	648-45634-00	4-26	654-14384-00	5- 2	654-45113-10
3-34	650-11370-00	4-50	654-14396-00	5- 7	654-45113-40
3-41	650-11370-00	1- 9	654-15185-00	5- 7	654-45113-80
3-35	650-11372-00	12-13	654-15723-00	5-25	654-45151-01
4-31	650-14223-00	9-33	654-26311-00	6-11	654-45181-00-F6
4-12	650-14390-12	1-23	654-41131-80-85	5-26	654-45270-02-F6
4-29	650-14394-01	1-24	654-41133-80	5-30	654-45275-00
3-37	650-14588-01	5- 9	654-41134-00	6- 1	654-45310-00-F6
16-12	650-24351-00	4-47	654-41226-00	6-43	654-45361-00-F6
16-10	650-24360-01	9- 9	654-42137-00	6-20	654-45510-02
11-21	650-82340-10	7-20	654-43111-00-F6	6-20	654-45510-12
11-25	650-82370-00	7-21	654-43112-00-F6	6-25	654-45551-00
1-21	654-11351-80	7- 1	654-43311-00-F6	6-30	654-45560-00
3-40	654-13640-00-94	7- 1	654-43311-01-F6	6-29	654-45567-00-04
3-17	654-13645-00	8- 6	654-43313-00-F6	6-29	654-45567-00-05
3-18	654-13646-00	7-11	654-43318-00-F6	6-29	654-45567-00-06
4-35	654-14124-00	7-37	654-43351-01-F6	6-29	654-45567-00-07
4-45	654-14137-00	7-37	654-43351-02-F6	6-40	654-45570-00
4-34	654-14155-01	7-38	654-43352-00-F6	6-37	654-45611-00
4-18	654-14157-00	8-18	654-43614-00	6-32	654-45631-00
4- 7	654-14198-00	8-12	654-43616-01	6-32	654-45631-01
4- 9	654-14199-00	8-17	654-43617-00	6-34	654-45633-00
4-11	654-14216-00	8-10	654-43631-00	6-27	654-45635-00
4-41	654-14217-00	8-26	654-43659-00	6-49	654-45941-01-36
4-43	654-14218-00	10- 2	654-44111-00	6-49	654-45943-01-36
4-19	654-14227-01	10- 5	654-44113-00	11- 1	654-81300-21
4-40	654-14229-00	10- 1	654-44120-01	11- 1	654-81300-22
4-46	654-14315-00	10- 8	654-44123-00	11- 3	654-81310-20
4-14	654-14321-00	10-14	654-44143-00	11- 3	654-81310-22
4-16	654-14323-00	10-15	654-44143-01		
4-17	654-14333-00				

# NUMERICAL INDEX

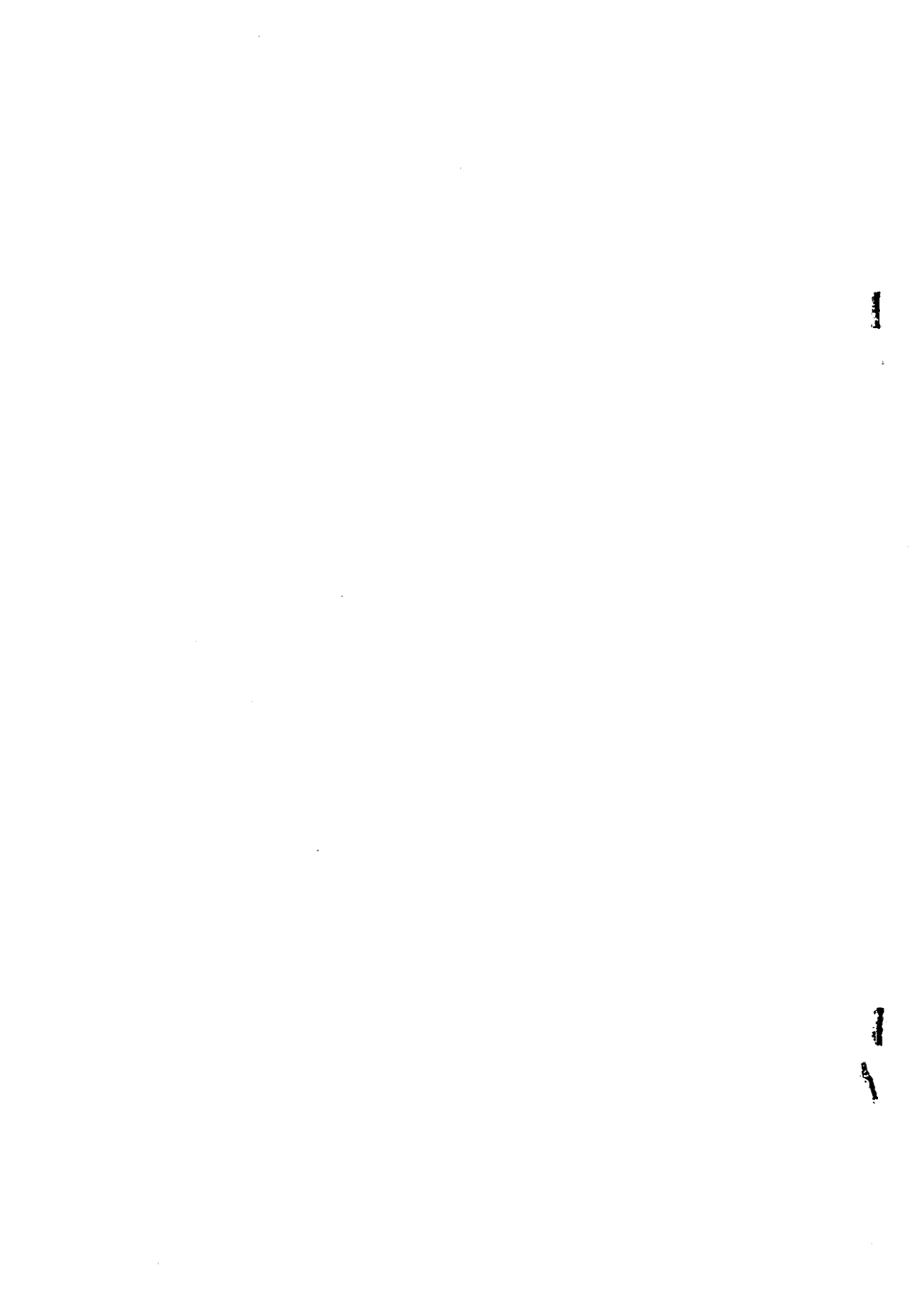
Ref No.	Parts No.	Ref No.	Parts No.	Ref No.	Parts No.
11- 4	654-81311-20	1- 4	661-15121-60-94	14-19	661-42724-00
11- 4	654-81311-22	1-10	661-15121-81-94	14-11	661-42815-00-F6
11-27	654-81313-G0	12- 1	661-15710-01-36	14-16	661-42816-01
11- 7	654-81321-20	12- 1	661-15710-02-36	5- 1	661-45111-01-F6
11-11	654-81325-20	12- 1	661-15710-03-33	5- 1	661-45111-11-F6
11- 2	654-81350-20	12- 2	661-15711-00-36	5- 6	661-45111-40-F6
11-16	654-81361-00	12- 2	661-15711-01-36	5- 6	661-45111-80-F6
12-22	654-81362-00	12-16	661-15758-00	12-23	661-81363-00
11-20	654-82310-20	12-18	661-15761-00	11-24	661-82370-00
11-20	654-82310-21	12-19	661-15767-00	14-20	661-82550-00
16- 1	655-24201-80-24	3-23	661-41256-00	16- 6	663-24268-00
16- 2	655-24244-80	3-29	661-41262-02	5-29	663-45119-00
16- 3	655-24245-80	3-24	661-41265-00	7-19	663-45119-00
16- 5	655-24275-60	3-22	661-41271-01	7-33	90101-06335
16-13	655-24305-00	9-20	661-42511-01-F6	7-22	90101-10073
9-31	655-4254 2-00	9-20	661-42511-03-F6	7-22	90101-10189
8-32	656-43165-01	9-21	661-42511-80-F6	9-13	90109-08037
1-18	661-11311-00-94	9-27	661-42551-00	9-13	90109-08345
1-22	661-11311-80-94	13- 1	661-42610-03-F6	1-16	90116-06100
1-32	661-12621-00-94	13- 2	661-42610-80-F6	5-22	90116-08110
1-37	661-12622-00-94	13-10	661-42612-02	6- 9	90149-06003
1-38	661-12622-01-94	13-18	661-42613-00-F6	8-14	90149-08004
1-41	661-12651-01-94	13- 9	661-42615-00	7-14	90149-08028
3-13	661-13641-00-94	13-19	661-42618-00-F6	7-29	90149-12029
4-42	661-14201-00	13-13	661-42647-01	1-28	90170-06017
4- 1	661-14301-02	13-16	661-42651-01	7-28	90185-10038
4- 1	661-14301-03	13- 5	661-42675-01	13-12	90201-04014
4-10	661-14343-40	13- 5	661-42675-02	1-31	90201-06043
4-10	661-14343-41	13- 6	661-42675-80	3- 2	90201-06068
4-25	661-14381-01	13- 7	661-42676-01	3- 7	90201-06068
4-25	661-14381-02	13- 7	661-42676-02	14-17	90201-06068
3- 1	661-14411-01	13- 8	661-42676-80	3- 5	90201-06336
3- 1	661-14411-02	13- 3	661-42677-00	3- 2	90201-06416
3- 6	661-14411-03	13- 3	661-42677-01	9-14	90201-08108
3- 4	661-14452-00	13- 4	661-42678-00	9-23	90201-08309
1- 1	661-15111-00-94	13- 4	661-42678-01	9-29	90201-08309
1- 7	661-15111-01-94	14- 1	661-42711-60-F6	7-23	90201-10139
1- 4	661-15121-01-94	14- 1	661-42711-80-F6	7-27	90201-10524
1- 4	661-15121-02-94	14- 8	661-42712-01-F6	6-23	90201-12161
		14- 8	661-42712-02-F6		

# NUMERICAL INDEX

Ref No.	Parts No.	Ref No.	Parts No.	Ref No.	Parts No.
9-16	90201-12181	5-20	90445-11262	11-10	92901-04200
9-16	90201-12181	16-11	90445-12155	11-29	92903-05100
7-23	90201-12402	16- 9	90445-12156	1-15	92903-06100
6-31	90201-12471	3-12	90446-05046	1-35	92903-06100
6-46	90201-13201	11-26	90465-06038	1-40	92903-06100
14-14	90201-13203	3-33	90467-06016	1-43	92903-06100
6-39	90201-13477	8-27	90468-10003	3-10	92903-06100
9-15	90202-11028	8-20	90468-10005	3-16	92903-06100
9-17	90202-11029	9-34	90468-15009	3-21	92903-06100
14-15	90206-13019	8-16	90468-18008	11-23	92903-06100
7-27	90209-10019	14-12	90480-04166	12-21	92903-06100
7- 3	90209-66017	14- 5	90480-12014	12-25	92903-06100
10-11	90240-05038	3- 8	90480-14204	14- 3	92903-06100
8-19	90240-05048	14- 4	90480-19030	1-29	92903-06600
8-15	90240-06049	3-39	90501-02223	3-27	92903-06600
7-32	90243-04001	9- 6	90501-09053	14-10	92903-08100
6-33	90250-05008	6-36	90501-10064	11-19	92903-10100
6-38	90250-05009	10- 3	90501-12085	4-21	92990-04100
6-33	90250-05046	8-11	90501-16100	4-28	92990-04100
13-14	90266-04007	8-22	90501-26147	4-39	92990-04100
13-17	90266-04007	8-34	90502-10014	6-14	92990-05100
13-11	90267-40004	8- 5	90508-16020	10-12	92990-05600
13-15	90267-40004	8- 4	90508-16021	1-31	92990-06100
7-12	90269-02002	8- 4	90508-20024	5-15	92990-06100
2-14	90280-03004	8-25	90508-23194	5-18	92990-06100
6- 7	90340-08014	7-34	90560-07008	5-35	92990-06100
1-25	90385-03014	10-13	91490-16010	6-45	92990-06100
5-27	90386-10054	10-18	91490-25012	7-10	92990-06100
5-27	90386-10087	6-48	91490-30030	7-35	92990-06100
14-13	90386-13038	8-30	91690-20008	7-41	92990-06100
7-26	90386-22031	7-17	91690-25014	8- 9	92990-06100
3-11	90387-06248	8-33	91690-30008	10-10	92990-06100
3- 3	90387-10495	5-21	91690-35025	10-22	92990-06100
6-10	90430-06015	1-12	91830-22016	10-17	92990-06200
6- 8	90430-08020	5-10	91830-22016	5-23	92990-08100
9-25	90443-11005	6-17	92180-06015	6- 6	92990-08100
3-32	90445-07254	6-17	92180-06018	9-19	92990-08100
3-32	90445-07255	11- 6	92901-04100	7-24	92990-10100
10-16	90445-09055	11- 9	92901-04100	6-41	93101-13055

# NUMERICAL INDEX

Ref No.	Parts No.	Ref No.	Parts No.	Ref No.	Parts No.
1- 6	93101-20076	5-24	95380-08600	9-28	97370-08040
6-22	93102-18102	9-18	95380-08700	11-17	98203-05008
1- 2	93102-20039	7-28	95380-10600	9- 5	98380-05020
1- 8	93102-20092	9-10	95390-05600	11-14	98501-04006
10- 7	93210-07222	3-25	97323-06012	11- 8	98501-04012
16-14	93210-08287	12-20	97323-06012	11- 5	98501-04032
6-21	93210-24108	12-24	97323-06012	4-20	98503-04008
6-42	93210-48214	1-33	97323-06018	4-38	98503-04008
7- 8	93210-57086	1-42	97323-06018	4-27	98503-04015
7- 4	93210-61087	14- 2	97323-06018	15- 6	98503-04018
6-28	93306-00401	1-39	97323-06020	11-28	98503-05025
1-11	93306-20418	3-15	97323-06020	16-11	98580-05015
2- 7	93310-11202	1-34	97323-06025	9- 3	98680-04012
2- 7	93310-11268	3-26	97323-06025	9- 3	98680-04015
2- 5	93310-41810	11-22	97323-06025	9- 4	98680-04020
1- 3	93420-47010	3-20	97323-06040	4-37	98701-04008
1- 5	93420-47010	1-14	97323-06045	11-15	98703-05018
6-26	93430-07012	3-19	97323-06045		
12-12	93430-07020	1-13	97323-06055		
10- 6	93430-08007	3- 9	97323-06065		
12-17	93430-10016	14- 9	97323-08030		
6-34	93440-26041	6-13	97370-05012		
2-11	93450-13022	10- 9	97370-06012		
3-38	93501-08001	5-17	97370-06015		
10- 4	93505-16006	7-40	97370-06015		
5-31	93605-20064	6-44	97370-06020		
14- 6	93606-12019	8- 8	97370-06020		
6- 4	93606-15020	10-21	97370-06020		
5-28	93700-06004	1-30	97370-06025		
7-18	93700-06004	5-14	97370-06025		
1-44	94701-00039	8- 8	97370-06030		
1-44	94701-00040	5-13	97370-06035		
1-36	95303-06600	5-34	97370-06035		
14-18	95303-06700	7- 9	97370-06035		
9-24	95303-08700	5-12	97370-06055		
9-30	95303-08700	5-11	97370-06065		
11-18	95303-10600	7-33	97370-06120		
3-28	95380-06600	6- 5	97370-08030		
7-36	95380-06600	9-22	97370-08040		



1  
0

0  
1



**YAMAHA MOTOR CO., LTD.**

PRINTED IN JAPAN  
First edition Aug., 1976  
(661-28198-E5)