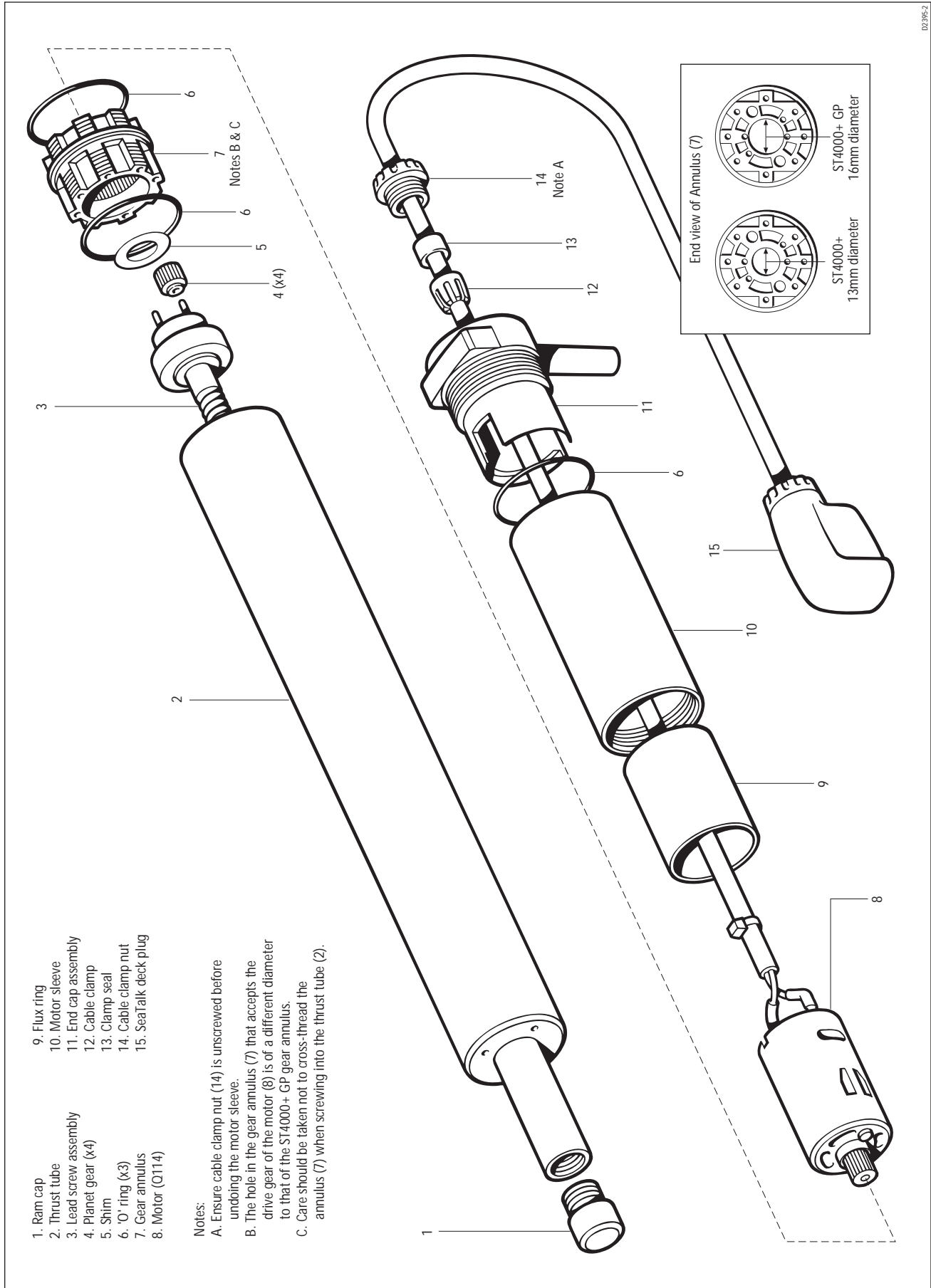


4.2 Disassembly/assembly



02385-2

Figure 12. Tiller Drive Actuator exploded view

Tiller Drive Actuator spare parts list

The item numbers refer to Figure 12: Tiller Drive Actuator exploded view

Item	Spare Description	Part No.	Comments
	Drive module	Q047	Complete drive unit
8	Motor	Q114	
11	End cap assembly	W014	

Tiller Drive Actuator GP conversion kit (W003)

This GP conversion kit (W003) gives the option of converting the ST4000+ which has the power to helm boats of up to 6,500 kg (14,300 lbs) displacement, to the ST4000+ GP which would push the limit up to 9,000 kg (20,000 lbs) displacement.

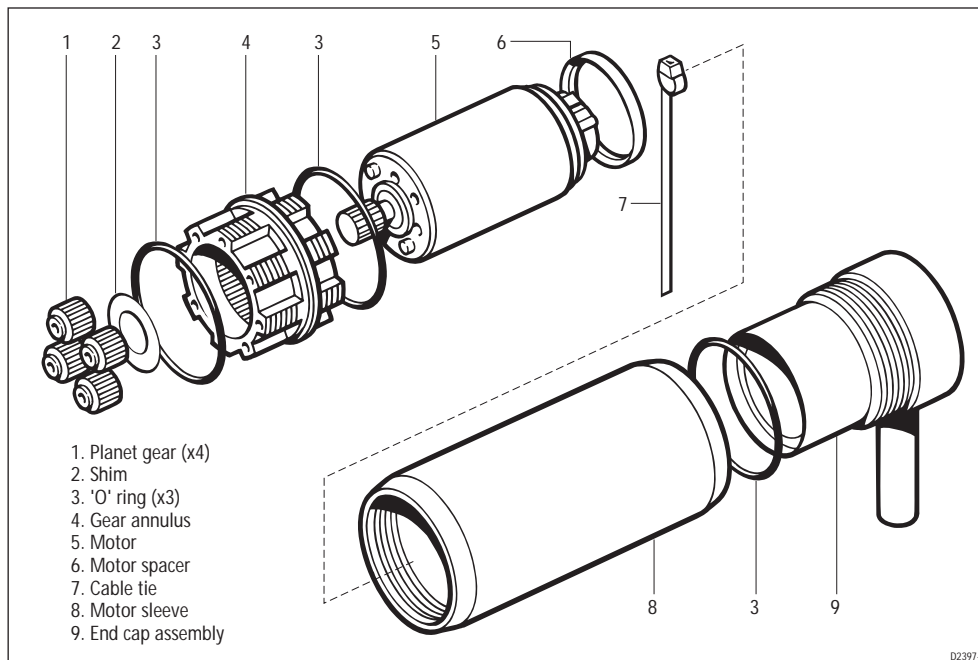


Figure 13. Tiller Drive Actuator GP conversion kit (W003)

Chapter 5: Tiller Drive Actuator GP

5.1 Tiller Drive Actuator GP test

Carry out the passive and active tests detailed in Figure 15. Tiller Drive Actuator GP test flowchart.

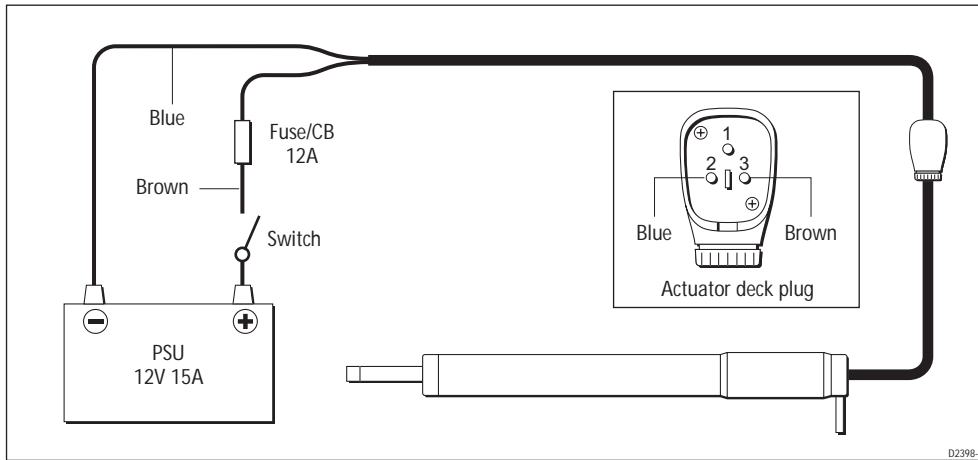


Figure 14. Tiller Drive Actuator GP test connections

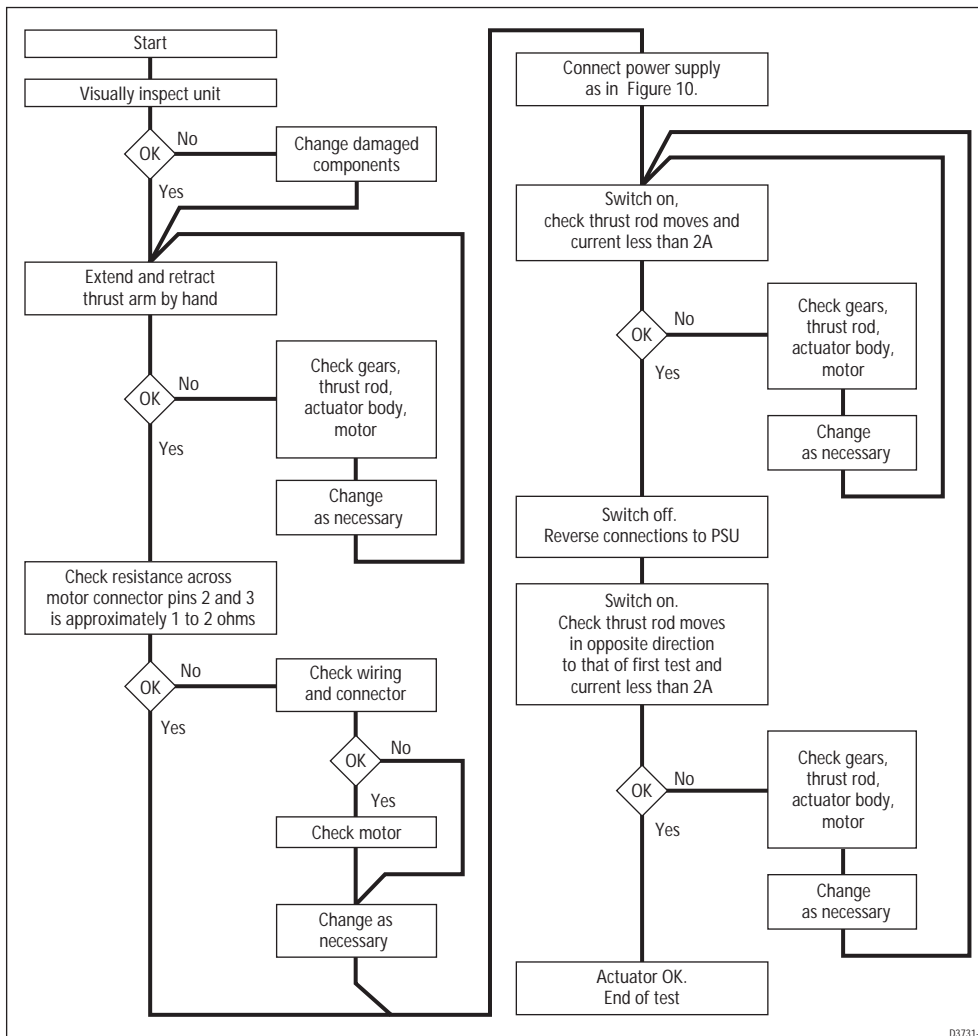


Figure 15. Tiller Drive Actuator GP test flowchart

5.2 Disassembly/assembly

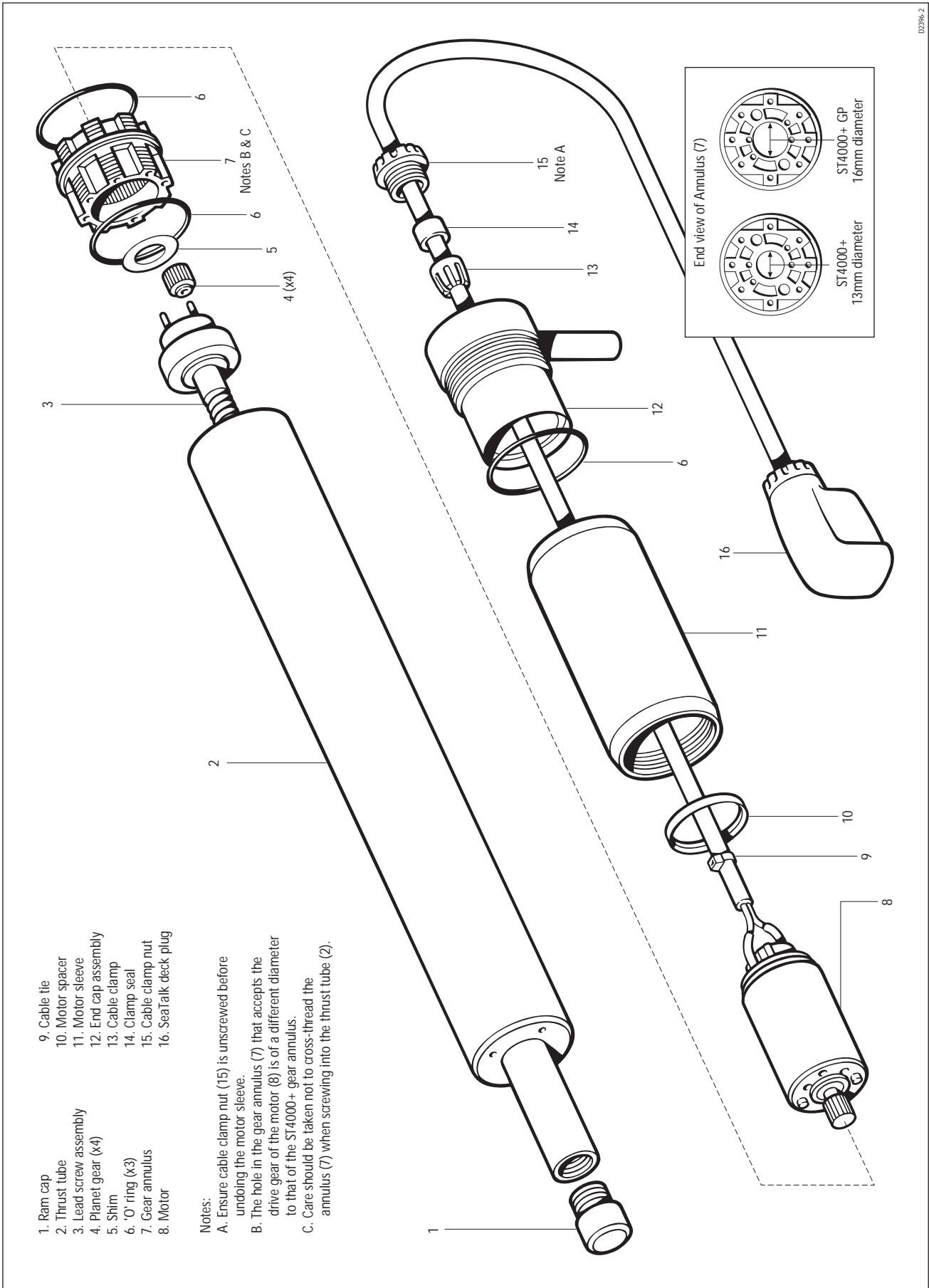


Figure 16. Tiller Drive Actuator GP exploded view

Tiller Drive Actuator GP spare parts list

The item numbers refer to Figure 16: Tiller drive actuator GP exploded view

Item	Spare Description	Part No.	Comments
	Drive module	Q086	Complete drive unit
	ST4000+ GP kit, including	W003	Serves as an upgrade
4	Planet gear (x4)		conversion kit for the
5	Shim		ST4000+ tiller drive
6	'O' ring (x3)		actuator.
7	Annulus		
8	Motor		
9	Cable tie		
10	Motor spacer		
11	Motor sleeve		
12	End cap assembly		
