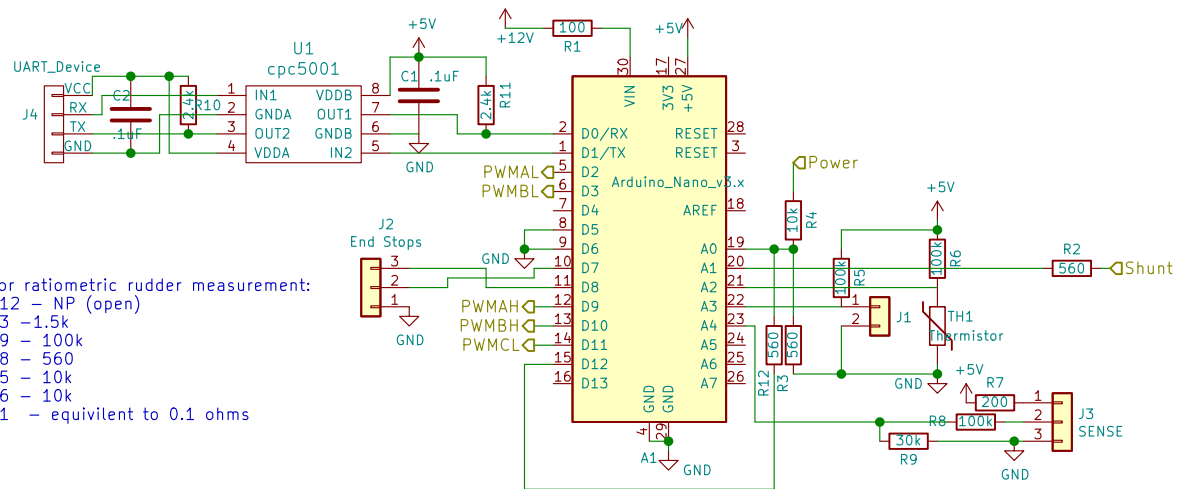


Sheet: /	
File: hydraulic_controller.sch	
<b>Title:</b>	
Size: A4	Date: 29 nov 2017
KiCad E.D.A. kicad 5.1.5+dfsg1-2build2	Rev: Id: 1/2



For ratiometric rudder measurement:  
 R12 - NP (open)  
 R3 - 1.5k  
 R9 - 100k  
 R8 - 560  
 R5 - 10k  
 R6 - 10k  
 R1 - equivalent to 0.1 ohms

Sheet: /sense/  
 File: sense.sch

**Title:**

Size: A4 Date: 16 nov 2017  
 KiCad E.D.A. kicad 5.1.5+dfsg1-2build2

**Rev:**  
 Id: 2/2