



STERLING POWER PRODUCTS Pro Split R

twin alternator unit 4 output



3 output unit

2 output unit



ProSplit R - Functions + Installation

This unit assumes a common negative between all battery banks and alternators. The unit is designed so that the alternator and starter battery are in contact when the engine is off, this is to ensure that when the engine starts up if you have an alternator which needs a voltage on the alternator to fire it up then the starter battery connection will supply that voltage. When the engine is started and the alternator fires up the system maintains the connection with the starter battery until this battery exceeds about 13.3 volts (x 2 for 24V), this could be a few minutes or a few seconds. The system then checks battery bank 2 to ensure that it is ok and does not have a short circuit on it, it then engages battery bank 2 and keeps the starter battery and battery bank 2 online until they both reach 13.3 volts, (again this could take a few minutes or a few seconds depending on the state and size of the battery bank) the system then checks battery bank 3 (in a 3 output unit) and then engages battery bank three. This process could take as little as 3 seconds under normal conditions or in extreme cases with large flat batteries up to an hour or so. The unit continues to monitor the voltages on the 3 outputs and the alternator input, in theory these should all be the same, any attempt to pull these voltages below 13 volts means that one battery bank is attempting to discharge in excess of the ability of the alternator to supply the current and is going to start off start taking power from one of its neighbouring battery banks, in the event of this happening the system will channel the alternator power into the battery bank which requires this load, and disconnect and protect the other battery banks. **It will, however, continue to monitor the starter battery as the most important bank and in this event, at any stage of the starter battery dropping below 12.6 volts (x 2 for 24v) then all battery banks will be disengaged and all power will be diverted into the starter battery bank until it comes up to 13.3V. Then it will repeat the start up process. This would be a very unlikely situation but is a fail safe built into the software to guarantee the engine start battery above all others.**

Unit switching off. Please note that the unit will not switch off as soon as you switch off the engine, when the engine is switched off the battery banks will be isolated but the unit LEDs will remain on for about 10 seconds or so.

Advanced alternator regulators or alternators with battery sense regulators. A special connection is available on the unit for advanced regulators and remote sensors on alternators with battery sensed regulators (Volvo), we strongly recommend you use this point, this is to ensure the maximum performance of the alternator and compensates for any voltage drop between the alternator and this control box .

L.E.D. information on the front of the unit

Starter battery / battery 2, battery 3, starter 2, online (blue LEDs). Under normal running conditions with the alternator working then all these LEDs should be on, these LEDs show that the circuit is active. In the event of one LED being off then look below on the red trip warning LEDs to find out why that circuit has been disconnected.

1) **High alternator voltage trip. (red LED flashing)** in the event of the alternator voltage exceeding 16 volts (x2 for 24V system), the unit will disconnect all battery banks from the batteries (all the blue LEDs showing connection to each battery bank will be off and this alarm LED will be flashing) this will protect the batteries from excessive damage and allow you to continue on your journey without the worry of exploding batteries and have the alternator regulator repaired at your next destination: in the event of the alternator voltage dropping down to below 15V for whatever reason (I.e. if the advanced regulator was a Sterling and it also picked up the high voltage fault, the advanced reg would return the alternator's regulator control back to the original reg which may be ok) during the journey then the unit would reset and continue to charge the battery banks.

2) **High output voltage trip. (red LED on solid)** this is where 16 volts (32 volts) is sensed on one of the battery bank inputs, this could come from something for example a defective battery charger on battery bank 3 trying to backfeed the dangerous voltage back into the other battery banks. The unit will identify the offending battery bank and isolate battery banks to prevent damage to the rest of the system (this will result in any damage which might be caused by the defective bank being limited to that bank and not causing damage to the other battery banks) however, we are unable to prevent the damage being caused to the actual battery bank causing the problem. For this, look at our new range of voltage sensitive current limiting relays.

3) **Back feed engaged (red LED on)** this is where there has been an attempt by one battery bank to discharge the others, for example, if there was a high power inverter (3000 watts) on the domestic battery bank and the battery was very low, if someone, for example, put on the kettle then the inverter would attempt to pull 200 amps from the other battery banks, in this event the unit would sense this and ensure the other battery banks would be disengaged and the alternator path directed to the inverter bank only, until such time as the high load was discontinued and the battery bank allowed to come up to 13.3 volts, then the other banks would come back online and the battery chargers accordingly, as per the explained start up sequence. If the engine battery safety voltage limit was reached this would disconnect all batteries and direct the power to the engine start

4) **Alternator power rail state,** if this LED is flashing then the alternator (or battery charger) is below 13.3V (26.6V for 24V etc), this is usual and would only happen if the cable between the alternator and the unit is too thin or too long for the amount of current, or, there is a high drain from one battery bank. If LED off at below 10V (which means it's not working. If LED is on solid then voltage over 13.3V and working ok

5) **On ok (LED Blue on)** LED on means the unit is working normally, flashing blue LED means that the alternator is off (or not working). The unit is in standby mode.

6) **Negative stud,** This is the device control negative, a simple 10 amp cable is more than enough to run the device, this must be connected to the common negative of the batteries.

7) **Battery sense connection,** this is where we recommend that you place the remote sense wire from an advanced alternator regulator or a battery sensed alternator, it ensures that the regulator is always charging all battery banks the same and prevents any over charge of any batteries, if there is no advanced reg or battery sensed regulator being used with the alternator then do not worry about this connection.

8) **Auxiliary battery banks 2 and 3 (on a 2 output unit there will only be one aux battery bank)** these connect to the battery banks other than the starter battery of the engine which the alternator is connected to.

9) **Alternator input,** this is the main alternator input cable, it could also be used for a battery charger, or the output of an alternator to battery charger etc to increase the number of battery banks you wish to charge.

10) **This connection is recommended to be used by the engine starter battery.** There is no life threatening danger involved if this is not used on the starter battery, the only reason for this is that the design takes a special feed from this engine start battery to ensure the alternator will "fire up" so we want to ensure there is life in this battery in order to fire up the alternator, our design assumption is if this battery is dead you cannot start the engine so the unit would not work anyway, however, if the battery is dead and you jump start the engine then we will have the power required to fire up this unit and the engine alternator so all the batteries can re-charge. Failure to have any power in this battery bank (i.e a flat battery, the alternator may not "fire up".)

11) **Ignition feed:** connect direct to an ignition feed or to the back of the alternator to the D+/61/L terminal, i.e. any feed which becomes live when the engine is running and goes off when it stops. This simply informs the unit the engine should be working and to start.

Other uses for this product.

Use with a single output battery charger to give multiple output charger or use with Sterling Battery to Battery charger to give extra outputs etc. For maximum performance from your alternator this unit should be used in conjunction with a Sterling Advanced Digital Alternator regulator / Alternator to battery charger / Battery to battery charger

Installation:

The actual installation of this device is very straight forward, the instructions are shown with a 1 in 3 out 180 amp unit and a 2 alt in 4 battery bank out. However, a 2 output unit only has 2 outputs but connects up the same with the obvious 1 less output.

Before starting this installation, disconnect the negative and positive cables from the batteries, this

is to prevent any short circuit when running the new cables, a short circuit on a battery can easily cause a fire or the battery in question could explode. If in doubt, please employ a professional electrician to install the unit. Or, contact Sterling power products on help@sterling-power.com or see our web site www.sterling-power.com & www.sterling-power-usa.com. Always work from the unit to the battery bank. I.e. fit the cables onto the unit then the fuse then connect them to the battery as this way is much safer than connecting cables to the batteries then connecting to the unit.

Fuses. It is recommended to place fuses as close to the batteries as possible, also, fit them first as they can protect against any accidents during installation. The fuses are there to protect the cables in the event of the positive cable coming in contact with the chassis of a vehicle or a steel hull on a narrow boat or a bonding system on a boat or vehicle. In some case this is a statutory requirement.

Fuses are not supplied with the unit but can be purchased separate from your local chandlery or from Sterling Power Products. For high current fuses Sterling always recommends fuses to be installed at about 50% larger than the maximum possible current, round this figure up to the nearest 50 amps. **Sterling Power Products has a full range of high current fuses from 100-500 amps, the part number is GANLR for the fuse holder and GANL100 for a 100 amp fuse and GANL200 for a 200 amp fuse etc.**

I would advise you read what all the alarm functions do , this may make understanding the system easier.

To install the unit, pick a cool part of the engine room (i.e. as low as possible) the unit is to. It also does not matter what way up the unit goes. However, the unit has been designed so the cables do not run across the bolts from other battery banks, if the unit is connected, as per the obvious writing on the unit and the cables should be brought up from below. You can connect the unit at any angle you wish to assist in the wiring process. Using the 4 fixing holes firmly secure to a bulkhead. When all cables are connected tie and secure the cables in such a way as there weight is supported on the bulkhead and they do not vibrate or touch any of the other studs.

Ensure your alternator(s) is working within the total limits of the unit. I.e. if the unit is 180A the total maximum current is 180A, it does not matter if this is a 50A alternator plus a 70A alternator as the total possible current does not exceed the continuous rating. For a twin alternator input, each output can deal with the total from both alternator's output together. I.e a twin 130 alt unit can handle the full charge of 260 amps out of any of the outputs.

Fit in a position to minimize the length of cables used, the shorter the cables the better. Look at the cable chart below for recommended cable size, larger cables are usually hard to come by so if, for example, you want 200A cable, but only have 50 amp cable then simple run 4 lengths of 50 amp cable as all you are doing is running is copper.

Try to connect where possible the engine starter battery to the battery terminal marked starter, this connection is recommended but not the end of the world if not possible. There is no life threatening danger involved if this is not used on the starter battery, the only reason for this is we take a special feed from this engine start battery to ensure the alternator will "fire up" so we want to ensure there is life in this battery in order to fire up the alternator, our design assumption is if this battery is dead you cannot start the engine so the unit would not work anyway. However, if the battery is dead and you jump start the engine then we will have the power required to fire up the engine alternator so all the batteries can then be recharged. Failure to have any power in this battery bank might prevent your alternator from firing up and so the unit might not work correctly (not that it would matter anyway if the alternator is not working).

Negative connection. The negative connection is simply a feed for the internal electronics, this actual current in this cable would not exceed 2A, so a normal 5-10A cable would be more than enough for this connection. The negative should go to a negative on the main battery bank common neg or any other good local negative source.

Ignition feed: this is a D/C feed from an ignition source, i.e. from the D+ / 61/ L/ on the back of an alternator or a feed direct from the ignition key switch. Or, anything which becomes live when the engine is working and is off when the engine stops. This simply tells the unit that the engine is on or off.

How does the unit work, and what to expect. When the engine is started then the ignition feed should become live activating the unit, expect to see at least 1 LED come on. The unit then goes through a test sequence, checking each battery bank to see if everything is okay. Then the unit starts with the engine start battery and charges it until it exceeds 13.3 volts, this could take 10 seconds or 10 minutes. It will then switch on battery bank 2 along with the starter battery and start to charge it until both reach at least 13.3V, then battery bank 3 will be connected. With all outputs now working the system will continue to charge all battery banks (in normal circumstances this would be all the unit needed to do)

The system continues to monitor all outputs and inputs. In the event of any attempt to reverse feed from one battery bank, the bank which is attempting the reverse feed (the one with the heaviest load, i.e. an anchor winch or a large inverter could have been turned on) will be kept online with the alternator in order to supply the max current to this demand source and the other battery banks will be isolated to prevent power loss from those battery banks, this isolation will remain until such time as the battery bank in question has come up to about 13.3V (or the priority engine start battery falls below 12.4V) before engaging the rest of the battery banks. When the engine is switched off the unit shuts down after 10 seconds and uses no power.

Twin alternator installation: two or more alternator can be connected to the alternator input position, this can either be 2 alternators from one engine or 2 alternators on different engines.

Twin engine, twin alternator, isolated, 4 output unit. This is a special design for most motor boats fitted with a twin engines (i.e. twin Merc, Volvo, Yanmar) they tend to come with about 110A alternators fitted to each engine. In conventional boat installations a lot of potential power from these alternators are not effectively utilized, with power being wasted, with each alternator charging a limited number of the total banks on the vessel and not effectively channeling power from both alternators to where the max power is required .

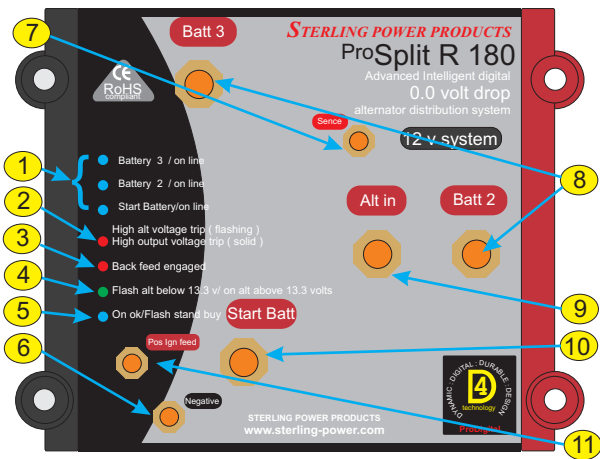
Other uses. This unit can be used for lots of other functions due to its 0.0 voltage drop across it. It can split the outputs from any power source and distribute this power to different battery banks, i.e. you may have one of our battery to battery chargers (which have a single output) or an alternator to battery charger (again with a single boosted output) and you wish to charge more than one battery bank, then, simply connect the power to the alt position and the unit will split accordingly.

Trip/Alarm sequence : Obviously under normal running functions there should be no alarms, however, things do go wrong, with any safety system there has always got to be a balance between safety and the safety system causing more problems than it protects. With some alarms this is obvious the safety alarm switches everything off. However, safety functions such as engine priority system which ensures the engine start battery is ok is a bit more complex. This alarm function has a timer involved which increases every time the alarm is engaged in each session, i.e. the first alarm locks the engine battery online for 1 min then it resets to feed the other batteries, if the alarm happens again then the time is increased to 2 minutes on the engine start battery, then, if the other batteries come back online, if the alarm happens again the time is then 3 minutes etc. If this alarm happens alot then the bottom line is your alternator system is not capable of keeping up with your demand and should be up rated or an extra alternator fitted. The Pro Split's priority is to ensure the starting of your engine.

Always remember that if you wish to boost the performance of your system, look at the Sterling Advanced alternator regulators or the battery to battery chargers .

Please note in the event of any outputs on the pro split not being used then they must be linked to one which is, i.e. all outputs must be used, one must not be left unconnected.

ProSplit R - Layout and diagram

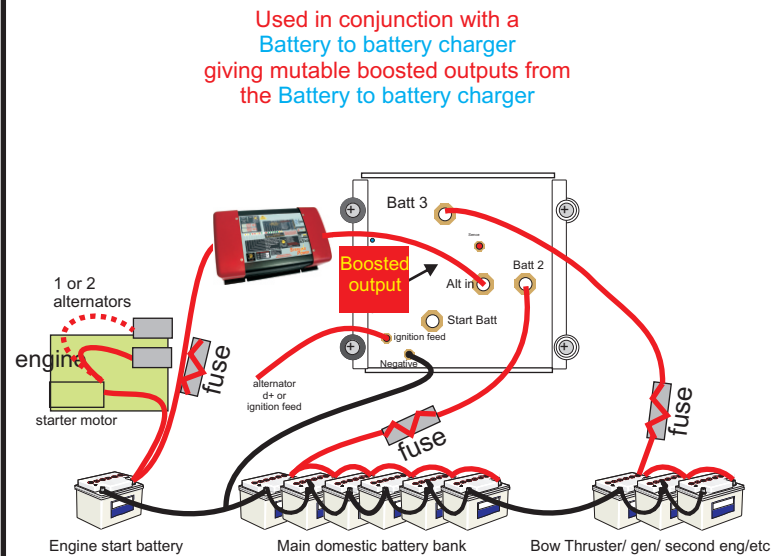
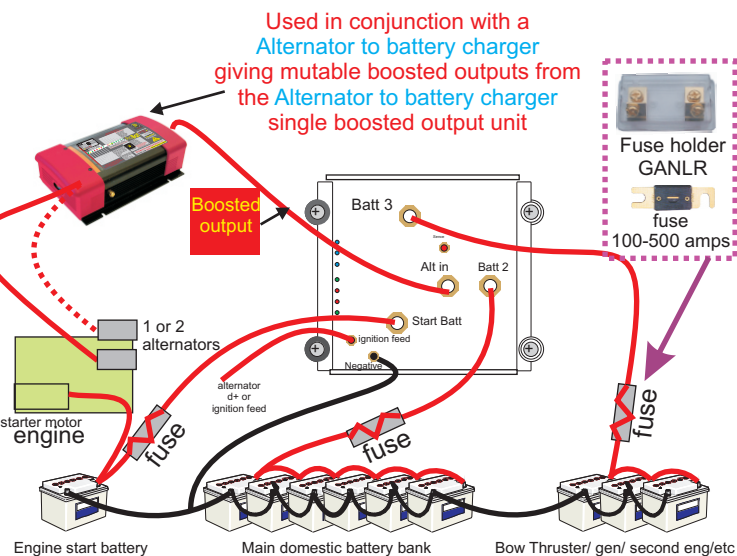
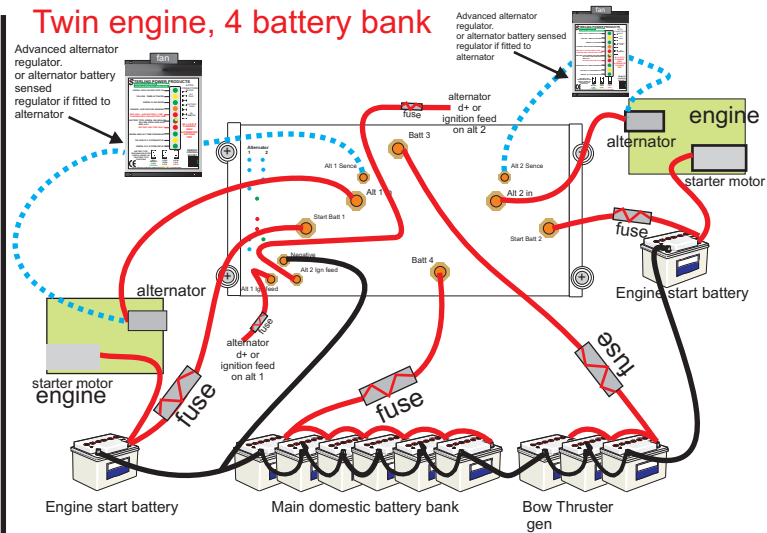
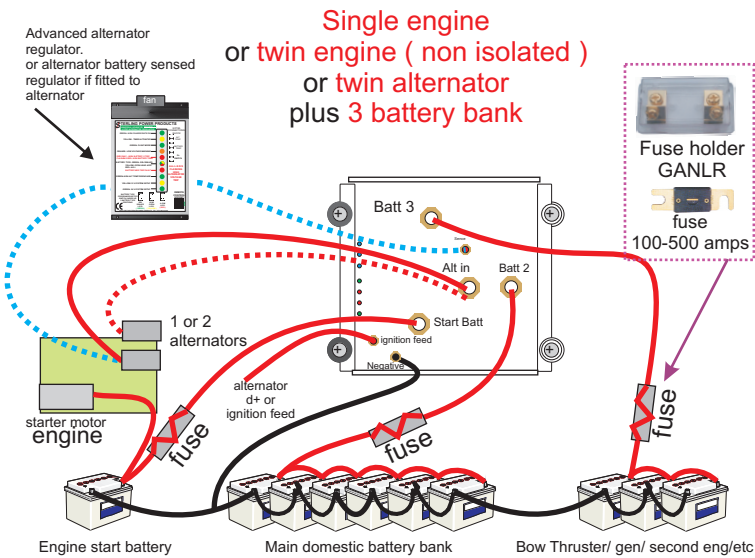


WHAT CABLE TO USE in mm sq:

A charger or inverter up to	cable run distance 0 - 1.5m	cable run distance 1.5 – 4.0m
0-25 A	6 mm ²	10 mm ²
25-45 A	16 mm ²	25 mm ²
45-85 A	25 mm ²	35 mm ²
85-125 A	35 mm ²	50 mm ²
125-180 A	50 mm ²	70 mm ²
180-330 A	70 mm ²	90 mm ²

Please note that if there is a problem obtaining for example 90 mm sq cable, simply use 2 x 50 mm², or 3 x 35 mm², the cable is simply copper, and all you require is the copper, it does not matter if it is one cable or 10 cables as long as the square area adds up. Performance of any product can be improved by thicker cable, so if in doubt round it up.

Please note in the event of any outputs on the pro split not being used then they must be linked to one which is, i.e. all outputs must be used, one must not be left unconnected.



ProSplit R - Funktionen + Installation

FUNKTIONEN

Beim PROSPLIT sind die Starterbatterie und die Lichtmaschine miteinander verbunden, damit beim Starten eine Spannung an der Lima ist, falls dieses benötigt wird. Nach dem Start wird zuerst die Starterbatterie geladen und sobald 13,3V erreicht sind (normalerweise innerhalb von wenigen Sekunden), wird die 2. Batterie zugeschaltet. Ist die 2. Batterie sehr leer, dann wird die Starterbatterie kurzfristig getrennt, um eine Entladung der Starterbatterie zu verhindern. Wird die Starterbatterie getrennt, dann wird diese, sobald 13,3V erreicht werden, sofort wieder dazugeschaltet.

Erreichen dann beide Batterien mindestens 13,3V, wird die 3. Batterie(-bank) dazugeschaltet. Hier wieder der gleiche Vorgang. Ist die Batterie(-bank) 3 sehr leer, dann werden die Starterbatterie und die Batterie(-bank) 2 getrennt und es wird nur die Batterie(-bank) 3 geladen. Sobald 13,3V erreicht sind, werden wieder die anderen Batterie(-bänke) dazugeschaltet.

Anschließend werden alle angeschlossenen Batterien bis zur maximalen Ladeschlussspannung geladen und nur in besonderen Situationen oder beim Abschalten des Motors wieder voneinander getrennt.

Der PROSPLIT überwacht kontinuierlich die Spannungen auf den 3 Batterie(-bank)anschlüssen und dem Lichtmaschineneingang. Theoretisch sollten alle Anschlüsse die gleiche Spannung aufweisen. Fällt die Spannung unter 13V, dann wird mehr verbraucht, als die Lichtmaschine imstande ist zu liefern. In diesem Fall trennt der PROSPLIT die Batterie(-bänke), welche entladen werden könnten und der gesamte Strom der Lichtmaschine wird in die Batterie(-bank) geleitet, welche den höchsten Bedarf hat. Nur so ist sichergestellt, dass die anderen Batterien nicht entladen werden.

Priorität der Starterbatterie: Die Starterbatterie wird ständig überwacht um sicherzustellen, dass die Spannung nicht unter 12,4V sinkt. Fällt die Spannung an der Starterbatterie unter 12,4V, dann werden die anderen Batterie(-bänke) von der Lichtmaschine getrennt und die Starterbatterie wird auf mindestens 13,3V geladen, bis die anderen Batterie(-bänke) wieder dazugeschaltet werden.

Das PROSPLIT schaltet erst ca. 20 Sekunden, nachdem der Motor abgeschaltet wurde, aus. Davor werden jedoch die Batterien voneinander getrennt, damit keine Entladung stattfinden kann.

Haben Sie einen Hochleistungsregler oder ein Sensorkabel des eingebauten Reglers, so muss dieses Sensorkabel auf den Anschluß am PROSPLIT gelegt werden, damit es nicht zu einer Überladung kommen kann.

Die folgenden Nummern repräsentieren die entsprechenden Beschreibungen zu den jeweiligen Punkten in der Ansichtsgrafik (PROSPLIT)

1 Starterbatterie / Batterie 2 / Batterie 3 on line - blaue LEDs

Unter normalen Umständen sollten alle drei LEDs leuchten. Wenn die Batterien sehr leer sind, kann dieses etwas dauern. Mindestens 1 LED sollte allerdings leuchten.

2 Überspannung der Lichtmaschine - rote LED blinkend:

Bei Überspannung der Lichtmaschine > 16V (12V System) oder > 32V (bei einem 24V System) werden die Batteriebänke automatisch von der Lichtmaschine getrennt und die blauen LEDs hören zu leuchten auf. Diese Funktion schützt die Batterien vor Schäden. Die Funktion der Lichtmaschine sollte allerdings schnellstens überprüft werden. Eventuell könnte es auch vorkommen, dass noch ein Sensorkabel des Lichtmaschinenreglers direkt an einer der Batterien angeschlossen ist und nicht am dafür vorhandenen Anschluß des PROSPLIT.

AN: Wenn an einem der Batterieausgänge mehr als 16V (32V) auftreten, dann wird nur dieser Anschluss getrennt. Dadurch wird verhindert, dass die anderen Batterien auch überladen werden. Die Ursache könnte ein defektes Ladegerät, Windgenerator oder eine Solarzelle sein.

3 Entladungs-Schutz - rote LED

Wenn eine sehr hohe Last an einer Batterie(-bank) hängt (z.B. Wechselrichter, Ankerwisch, Bugstrahler u.ä.), und die Lichtmaschine die benötigte Leistung nicht zur Verfügung stellen kann, dann kann es dazu kommen, dass Ladung von den anderen Batterien abfließt. Um das zu verhindern werden die vollen, unbelasteten Batterien abgeschaltet, so dass die Ladung der Lichtmaschine direkt an die Batterie geleitet wird, welche die maximale Ladung benötigt.

Die anderen Batterie(-bänke) werden erst dann wieder zugeschaltet, sobald mindestens 13,3V erreicht sind.

4 Lichtmaschinen Spannung - grüne LED

AUS: Spannung der Lima (und auch eventuell der Starterbatterie) liegt unter 10V. Eventuell ist die Lichtmaschine defekt.

Blinkend: Spannung der Lima ist unter 13,3V. Ändert sich dieser Zustand auch nach Stunden nicht, dann ist entweder die Lichtmaschine zu klein oder die Lichtmaschine ist defekt.

AN: Spannung an der Lima ist > 13,3V (26,6V). Alles OK.

5 Status-Anzeige - blaue LED

AN: Funktion OK.

Blinkend: Standby. Ca. 20 Sek. bis zum Ausschalten.

AUS: Gerät ist ausgeschaltet. Es liegt keine Spannung am Eingang "Ignition" an oder Negativ ist nicht angeschlossen.

6 Negativ Anschluss (Masseanschluss)

Um PROSPLIT betreiben zu können, muss es mit einem 4 mm² Kabel an den Minuspol der Batterie verbunden werden.

7 Batteriesensorenanschluß

Dieser Anschluß ist für das Batterie-Sensor-Kabel eines Hochleistungsreglers oder Standardreglers der Lichtmaschine. Haben Sie kein Sensorkabel, dann ist dieser Anschluß irrelevant.

8 Batteriebänke 2 und 3 (falls vorhanden)

Wie bei einer Trenddiode werden hier die Batteriebänke 2 und 3 angeschlossen.

9 Lichtmaschinen Eingang

Hier wird das positive Ladekabel von der Lichtmaschine angeschlossen. Achten Sie bitte darauf, dass es keine weiteren Kabel vom positiven Anschluß der Lima gibt. Standardmäßig werden Motoren mit einer Verbindung von der Lichtmaschine zum Startermotor ausgeliefert. Wenn diese Verbindung vorhanden ist, dann muss diese getrennt werden, da ansonsten die Gefahr besteht, dass die Batterie 2 oder 3 die Starterbatterie entladen könnte. Wenn das Gerät nicht an einer Lichtmaschine betrieben wird, dann kann hier auch der Ausgang eines Batterie-zu-Batterie-Ladegerätes oder eines normalen Ladegerätes angeschlossen werden.

10 Starterbatterie

Hier sollte die Starterbatterie angeschlossen werden. Da das Gerät eine eingebaut Sicherheitsfunktion hat, ist es sehr wichtig, hier die Starterbatterie anzuschließen.

11 Zündschloss oder D+ Anschluß

Dieser Anschluss muss direkt mit einem PLUS am Zündschloss oder mit dem D+/61/L Terminal der Lichtmaschine verbunden werden. Hier muss eine Spannung anliegen, wenn der Motor läuft. Ist der Motor aus, darf keine Spannung (auf keinen Fall mehr als 1,5V) anliegen. Ansonsten arbeitet das PROSPLIT weiter und verbraucht Ladung.

Weitere Verwendungsmöglichkeiten des PROSPLIT

- verbunden mit einem Ladegerät mit einem Ausgang werden mehrere Ausgänge zur Verfügung gestellt.

- mit Windgenerator, Solarzellen oder Sterling Batterie-zu-Batterie-ladegerät für mehrere Ausgänge

Für eine maximale Leistung Ihrer Lichtmaschine sollte dieses Gerät in Verbindung mit einem STERLING Digitalen Hochleistungs-Lichtmaschinenregler / Lichtmaschinen-Batterie-ladegerät oder Batterie-zu-Batterie-ladegerät verwendet werden.

INSTALLATION

Die Installation des Gerätes ist einfach. Das Beispiel zeigt die Verkabelung anhand eines (1 Eingang, 3 Ausgang, 180 Ampere) PROSPLIT 180. Die Version mit 2 Ausgängen wird auf die selbe Art verkabelt.

Vor Beginn der Installation trennen Sie + (PLUS) und - (MINUS) Kabel von den Batterien. So verhindern Sie einen Kurzschluss beim Verlegen. Bei einem Kurzschluss an einer Batterie besteht sogar Brand- und/oder Explosionsgefahr. Wenn Sie keine Erfahrung haben, beauftragen Sie bitte eine Elektroinstallationsfirma mit dem Einbau.

Beginnen Sie die Verkabelung immer vom PROSPLIT beginnend, hin zur Batteriebank und befestigen Sie sämtliche Kabel zusätzlich mit Kabelschellen an der Montagefläche (Wand, Spanten etc.) um das Gewicht der Kabel vom PROSPLIT zu nehmen.

Sicherungen (<http://shop.sterling-power.com>)

Schließen Sie als Erstes bitte die Sicherungen so nahe der Batterien wie möglich an

Es gibt 3 Gründe weshalb Sicherungen unerlässlich sind:

1 Sicherungen schützen uns vor etwaigen Unfällen während der Installation.

2 Sie schützen die Kabel für den Fall des Kontaktes mit dem Chassis eines Fahrzeuges, der metallenen Bootshülle eines Narrowboats oder der Verbundhülle eines Motorboots.

3 Sollte ein Kurzschluss an einer Batterie auftreten, macht es Sinn die Sicherung zu zerstören um die Batterie vom Netz zu trennen und dadurch PROSPLIT zu schützen

Sicherungen sind nicht im Lieferumfang der Einheit enthalten, können aber von ihrem Händler oder direkt von STERLING POWER (<http://shop.sterling-power.com>) bezogen werden. Die Anforderungen an Sicherungen variieren von Land zu Land und von Standard zu Standard. Aus diesem Grund obliegt es Ihnen, die passenden Sicherungen für den jeweiligen Zweck auszuwählen. STERLING POWER empfiehlt Ihnen Sicherungen zu wählen die ca. 30% stärker sind als die höchste zu erwartende Stromstärke. Runden Sie diese Rechnung auf den nächsten 50 Ampere Schritt auf.

STERLING POWER bietet die gesamte Bandbreite an Sicherungen (100-500 Ampere). Die Sicherungshalterung hat die Art.no. "GANLR", eine 100 Ampere Sicherung hat die Art.no. "GANL100", eine 200 A die Art.no. "GANL200" etc.

Es wird außerdem dringend empfohlen sich in der Bedienungsanleitung über alle Alarmfunktionen zu informieren.

Wählen Sie einen möglichst kühlen Bereich. Wählen Sie einen Bereich an dem die Kabel vom Gerät zu den Batterien möglichst kurz sind. Das Gerät ist wasserdicht und somit unempfindlich gegen Spritzwasser. Verwenden Sie die 4 Montagelöcher und befestigen Sie es sicher an einem Bugschott, Rumpfspant oder an sonst einer geeigneten Montagefläche.

Verewissem Sie sich das Ihre Lichtmaschine(n) innerhalb der Grenzwerte des PROSPLIT laufen. Beim 180 Ampere-Gerät nicht mehr als 180 Ampere maximaler Stromstärke zuführen. Dabei ist egal wie Sie diese Leistung erreichen, ob 50A LM und 80A LM und 40A Ladegerät und 10A WIND GEN, solange der max. Wert eingehalten wird. Sehen Sie in der Kabeltabelle nach um die entsprechend empfohlenen Kabelstärken nachzulesen. Sie können anstatt eines 200 Ampere Kabels auch 4 Längen eines 50 Ampere Kabels verwenden.

Dabei gilt: Es darf nur Kupferkabel verwendet werden.

Versuchen Sie, falls möglich, die Starterbatterie an den dafür vorgesehenen Anschluss am PROSPLIT anzuschließen. Sollte dies bei Ihrer Installation nicht möglich sein, so ist das auch kein Problem. Bei Lichtmaschinen, welche eine Spannung an B+ benötigen, um die Ladung zu starten, muss eine Batterie an den Anschluß "STARTER" angeschlossen werden.

Unser Design-Gedanke ist dabei folgender: Wenn die Starterbatterie leer ist kann man den Motor nicht starten und PROSPLIT würde nicht laufen können. Angenommen die Batterie ist leer und Sie starten den Motor durch Starter-Hilfe, dann passiert folgendes: PROSPLIT und die Lichtmaschine schalten sich ein da nun die benötigte Energie vorhanden ist, können auch die restlichen Batteriebänke wieder aufgeladen werden können.

Negativanschluss

Der Negativanschluss dient als Einspeisung für die interne Elektronik. Die Stromstärke in diesem Kabel ist nicht höher als 2 Ampere. Ein normales 10 Ampere Kabel ist absolut ausreichend für diese Verbindung. Vom Negativ des PROSPLIT zu einem Negativ an der Hauptbatteriebank oder jegliche andere ausreichende Negativquelle, solange sie nur nah der Batterien liegt.

Zündungseinspeisung

Das ist eine DC Einspeisung von einer Zündungsquelle (z.B. vom D+/61/L an der Rückseite der Lichtmaschine oder einer Einspeisung vom Zündungsschalter)

Wie die Einheit funktioniert und was Sie erwarten können.

Wenn der Motor abgestellt wird fährt die Einheit nach 15 min herunter ohne weitere Energie zu verbrauchen. Wird der Motor gestartet, so beginnt auch die Zündungseinspeisung, welche somit die Einheit startet. Es sollte zumindest ein LED zu leuchten beginnen wenn die Lichtmaschine 13 Volt Spannung über-schreitet. Dann wird Batteriebank 2 dazugeschaltet und geprüft ob der Kreislauf auch ordnungsgemäß funktioniert, bevor Batteriebank 3 dazugeschaltet wird.

Sobald alle 3 Ausgänge aktiv sind, beginnt das System die Ausgänge und Eingänge zu überwachen. Im Falle einer Rückspeisung von einer Batteriebank hält PROSPLIT die Verbindung mit der Lichtmaschine und die anderen Batterien werden isoliert um Energieverlust vorzubeugen. Diese Batterien werden erst wieder zugeschalten, sobald die fragliche Batteriebank auf 13 Volt läuft.

Zwei Lichtmaschinen - Installation:

Zwei oder mehr Lichtmaschinen können an den Lichtmaschinenterminal angeschlossen werden. Das können sowohl 2 LiMas von einem Motor, als auch 2 LiMas an verschiedenen Motoren sein.

An einem ProSplit mit 2 oder 3 Ausgängen kann das so gemacht werden, sofern es nicht notwendig ist die LiMas nach dem Abschalten voneinander zu isolieren. (üblicherweise besteht dafür keine Notwendigkeit)

PROSPLIT mit 4 Ausgängen für 2 Motoren:

Dieses ProSplit wurde speziell für Boote entwickelt, wo 2 Motoren, 2 Starterbatterien, 1 Bugstrahlerbatterie und eine Verbraucherbatterie ausgestattet sind. Natürlich können die Anschlüsse auch anders verwendet werden. Es gibt auch keine Fehlermeldungen bei Volvo IPS - Fly-by-Wire Anlagen, da während des Startvorganges, die Starterbatterien komplett voneinander entkoppelt sind. Wenn nur mit 1 Motor gefahren wird, wird auch die Starterbatterie des 2ten Motors geladen. Dadurch kann eine leere Starterbatterie durch den anderen Motor geladen werden.

Wenn beide Motoren laufen, werden die Verbraucherbatterien auch von beiden Lichtmaschinen geladen - somit steht eine doppelte Ladeleistung zur Verfügung.

Weitere Verwendungsmöglichkeiten:

Das ProSplit kann aufgrund keines Spannungsverlustes auch für andere Aufgaben eingesetzt werden.

Auslöser - Alarm Sequenzen:

Wie sich jeder denken kann, ist für den Normalbetrieb kein Alarm vorgesehen.

Nun kann aber immer etwas schief gehen und wie das bei Sicherheitsystemen so ist, muss in der Entwicklung bereits eine Balance in den Schutzfunktionen gefunden werden welche das System schützen, jedoch nicht gleich alles abschalten sobald ein Parameter einen Grenzwert über-/unterschreitet. Wir reden hier noch dazu von komplexen Sicherheitsfunktionen, wie zB. vom Engine Priority System (... prüft ob Starterbatterie fehlerfrei läuft!)

Was wir damit sagen wollen ist, das ProSplit viele ausgeklügelte Sicherheits-Checks beinhaltet.

Als Beispiel sei hier gleich das „Engine Priority System“ erklärt.

Bei jeder Fehlermeldung wird ein Zähler aktiviert der bei jedem Zyklus um 1 hochgesetzt wird.

Das heisst beim ersten Durchlauf wird die Starterbatterie für 1 Minute allein geladen.

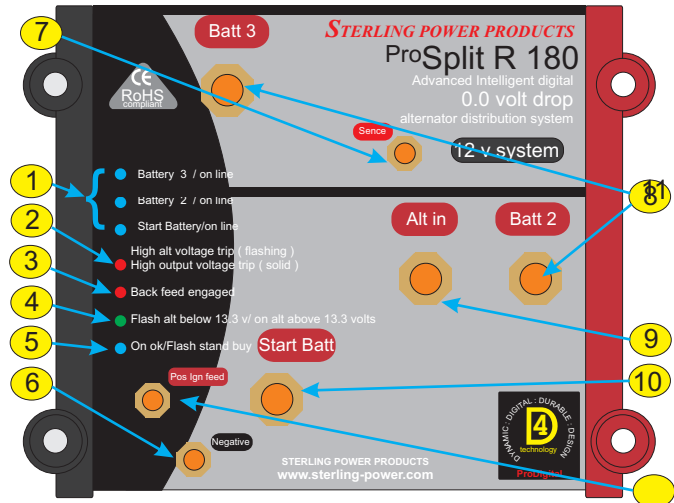
Tritt der Fehler erneut auf springt der Timer auf 2 Minuten, danach - bei erneuter Aktivierung der Fehleroutine - auf 3 Minuten usw.

Durch diese Funktion wird verhindert, dass das ProSplit ständig hin- und herschaltet. Ebenso wird durch diese Schutzfunktion darauf aufmerksam gemacht, dass Ihr System eine Verbesserung im Bereich der Ladung benötigt.

Wichtiger Hinweis:

Wird ein Ausgang nicht benutzt, so muss dieser mit einem belegten Ausgang verbunden werden. Z.B. Batterie 3 mit Batterie 2. Ansonsten kommt es zu ständigen Entladungsschutzschaltungen der eingebauten Relais und zu erhöhtem Verschleiß.

ProSplit R - Layout & Diagramme



Welche Kabelquerschnitte sie verwenden sollten:

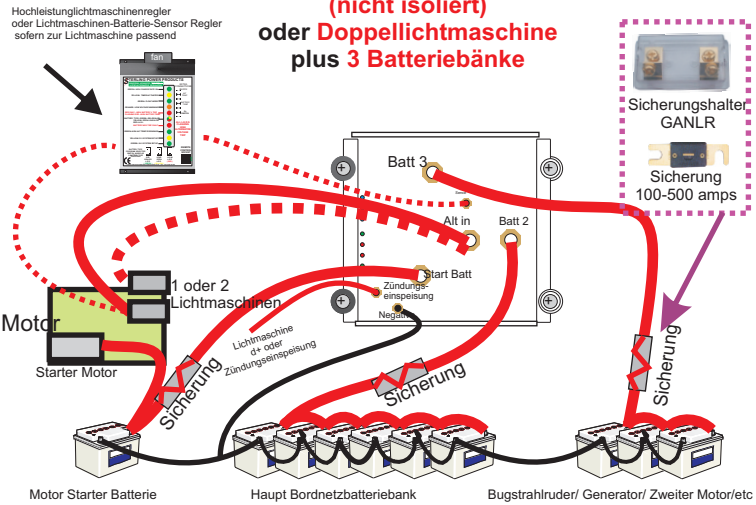
Ein Ladegerät mit	Kabellänge von 0 - 1,5m	Kabellänge von 1,5 - 4,0m
0-25 A	6 mm ²	10 mm ²
25-45 A	16 mm ²	25 mm ²
45-85 A	25 mm ²	35 mm ²
85-125 A	35 mm ²	50 mm ²
125-180 A	50 mm ²	70 mm ²
180-330 A	70 mm ²	90 mm ²

Sollten Sie kein 90mm² Kabel zur Verfügung haben, so können auch 2 Stk. 50mm² verwendet werden. Der addierte Querschnitt muss nur derselbe oder höher sein als wie laut Tabelle vorgegeben.

Alle Ausgänge angeschlossen werden.

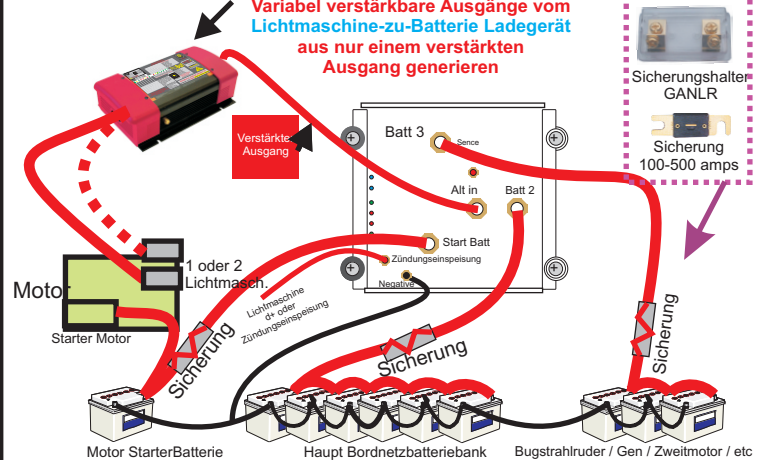
Wenn nicht, dann schließen Sie das unbenutzte Ausgänge auf die Ausgänge verwendet

Einzelmotor oder Doppelmotor (nicht isoliert) oder Doppellichtmaschine plus 3 Batterieebenen

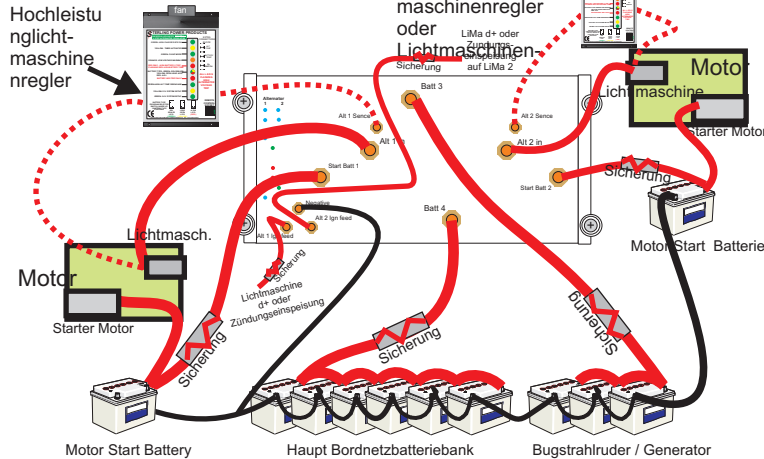


In Verbindung mit einem Lichtmaschine-zu-Batterie Ladegerät

Variable verstärkbare Ausgänge vom Lichtmaschine-zu-Batterie Ladegerät aus nur einem verstärkten Ausgang generieren

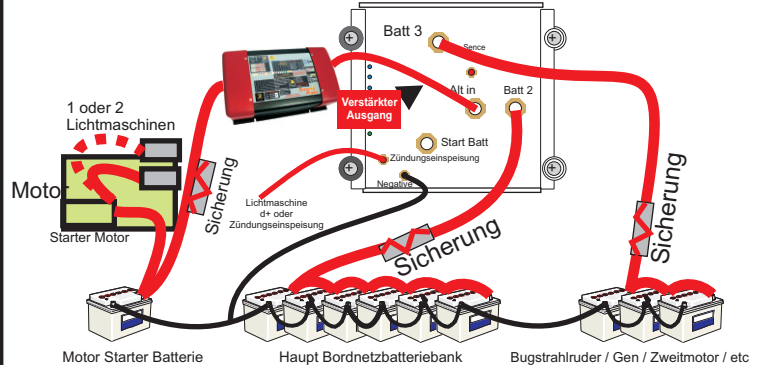


Doppelmotor, 4 Batterieebenen



In Verbindung mit einem Batterie-zu-Batterie Ladegerät

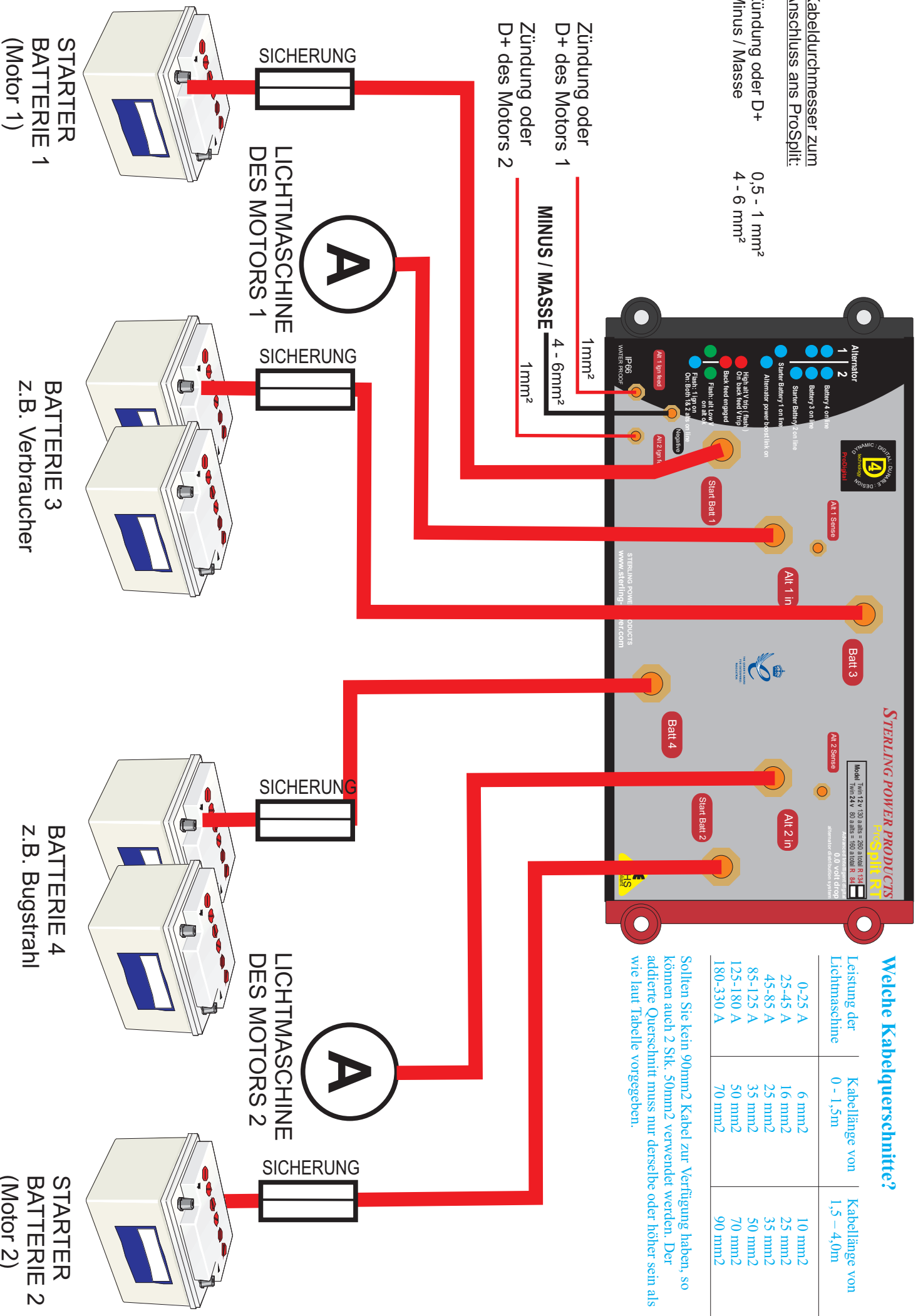
Variable verstärkbare Ausgänge vom Batterie-zu-Batterie Ladegerät aus nur einem verstärkten Ausgang generieren



Kabeldurchmesser zum Anschluss ans Prosplit:

Zündung oder D+ 0,5 - 1 mm²
 Minus / Masse 4 - 6 mm²

Zündung oder D+ des Motors 1 1mm²
 Zündung oder D+ des Motors 2 4 - 6mm²
 Minus / Masse 1mm²



Welche Kabelquerschnitte?

Leistung der Lichtmaschine	Kabellänge von 0 - 1,5m	Kabellänge von 1,5 - 4,0m
0-25 A	6 mm ²	10 mm ²
25-45 A	16 mm ²	25 mm ²
45-85 A	25 mm ²	35 mm ²
85-125 A	35 mm ²	50 mm ²
125-180 A	50 mm ²	70 mm ²
180-330 A	70 mm ²	90 mm ²

Sollten Sie kein 90mm² Kabel zur Verfügung haben, so können auch 2 Stk. 50mm² verwendet werden. Der addierte Querschnitt muss nur derselbe oder höher sein als wie laut Tabelle vorgegeben.

ProSplit R - Fonctions + Installation

Cet appareil nécessite qu'il y ait une masse commune à toutes les batteries et à l'alternateur. Il est conçu pour que l'alternateur et la batterie de démarrage soient reliés quand le moteur est éteint. Ceci est utile pour les alternateurs qui nécessitent d'avoir une tension à leurs bornes pour se mettre en route (alternateurs auto excités).

Quand le moteur démarre et que l'alternateur se met en route, le système maintient la connexion avec la batterie de démarrage jusqu'à ce que la tension dépasse 13.3 volts (pour 24volts), ce qui peut prendre quelques minutes ou quelques secondes. L'appareil vérifie ensuite le parc de batteries 2 pour s'assurer que tout est correct et qu'il n'y a pas de court circuit. Puis il enclenche le parc de batteries 2 et maintient la batterie de démarrage et le parc 2 connecté à l'alternateur jusqu'à ce que les deux atteignent une tension de 13.3 volts (ceci peut prendre quelques minutes de plus en fonction de l'état de charge et la taille du parc de batteries). L'appareil vérifie ensuite le parc de batteries 3 (dans le cas d'un appareil à 3 sorties) et l'enclenche. Ce processus peut prendre seulement 3 secondes dans des conditions normales ou dans des cas extrêmes, avec de grosses batteries déchargées, jusqu'à environ une heure. L'appareil continue à contrôler la tension sur les trois sorties et sur l'entrée de l'alternateur. En théorie ces tensions doivent être égales, si l'une des tensions est inférieure à 13 volts cela signifie qu'un parc de batteries tire trop sur l'alternateur par rapport à sa capacité à fournir le courant au détriment des parcs voisins. Dans cette éventualité l'appareil enverra toute la puissance dans le parc de batteries qui le demande et déconnectera et protégera les autres parcs.

Il continuera cependant à contrôler la batterie de démarrage en tant que parc le plus important, et si à tout moment la tension de la batterie de démarrage descend en dessous de 12.6 volts, alors tous les parcs de batteries seront déconnectés et toute la puissance sera dirigée vers la batterie de démarrage jusqu'à ce que la tension remonte à 13.3 volts. Puis la procédure de démarrage recommencera. Il s'agit d'un cas peu probable mais c'est un système de sécurité inclus dans le logiciel pour donner la priorité au démarrage du moteur.

Extinction de l'appareil: Noter que l'appareil ne s'éteindra pas dès l'arrêt du moteur. Quand le moteur est éteint les parcs de batteries sont isolés, mais les L.E.D fonctionnent encore pendant 10 secondes.

Régulateurs d'alternateurs ou alternateurs disposant d'une sonde de tension batteries: Une connexion spécifique est disponible sur l'appareil pour les régulateurs évolués et les alternateurs possédant des sondes de tension batteries (Volvo). Il est fortement recommandé d'utiliser ce dispositif pour obtenir les meilleures performances de l'alternateur et compenser une chute de tension entre l'alternateur et la boîte de contrôle.

Informations sur les L.E.D situées sur le devant de l'appareil:

1) Batterie de démarrage/ batterie 2 , batterie 3, démarreur 2, sous tension (l.e.d.s bleues): Dans des conditions de fonctionnement normales, alternateur en route toutes les l.e.d.s doivent être allumées (chacune des leds est allumée dès que la batterie concernée est en charge). Si l'une des l.e.d.s est éteinte regarder dans les instructions ci dessous pour savoir pourquoi le circuit a été déconnecté.

2) Tension Alternateur élevée (l.e.d.rouge clignotante): Si la tension de l'alternateur est supérieure à 16 volts (32V pour les systèmes à 24 volts) l'appareil déconnectera tous les parcs de batteries de l'alternateur (toutes les l.e.d.s bleues montrant la connexion à chaque parc seront éteintes et cette l.e.d. rouge clignotera), ce qui protégera les batteries d'une surcharge et vous permettra de continuer votre voyage sans vous inquiéter de la détérioration de vos batteries (qui peut aller jusqu'à provoquer une explosion) et de faire réparer le régulateur de l'alternateur à votre prochaine destination. Si au cours du voyage la tension redescendait en dessous de 15 volts, l'appareil redémarrerait et recommencerait à charger les parcs de batteries.

2) Problème d'un excès de tension sur un des parcs (l.e.d.rouge clignotante allumée en continue): Il s'agit du cas où une tension de 16 volts est détectée aux bornes d'un des parcs de batteries, il peut par exemple être causé par un chargeur de batterie défectueux sur le parc de batteries 3 essayant de renvoyer cette tension vers d'autres parcs de batteries. L'appareil identifiera le parc de batterie en cause et l'isolera pour éviter que le reste du système soit détérioré. Cependant l'appareil n'est pas en mesure de limiter la détérioration éventuelle du parc de batteries en cause, pour cela consulter notre nouvelle gamme de relais sensibles, limiteurs de tension.

3) Retour du courant (l.e. d. rouge allumée): Situation où l'un des parcs de batteries essaie de décharger les autres. Par exemple si un convertisseur de grande puissance (3000 watts) était branché sur un parc de batteries de servitude, celui ci étant peu chargé, si quelqu'un branchait un appareil, le convertisseur essaierait de tirer 200 ampères sur les autres parcs. Cette situation serait détectée par l'appareil, qui déconnecterait les autres parcs de batteries et l'alternateur serait alors branché sur le parc du convertisseur uniquement, jusqu'à ce que la forte demande soit arrêtée et que ce parc de batteries revienne à 13.3 volts. Les autres parcs de batteries se remettraient en ligne comme il est expliqué dans la séquence de démarrage. Si la limite de sécurité de tension sur la batterie du moteur était atteinte cela déconnecterait toutes les batteries et dirigerait la puissance sur la batterie de démarrage.

4) Etat de puissance de l'alternateur: Si cette l.e.d. clignote, alors la tension de l'alternateur est inférieure à 13.3 volts (26.6 volts pour 24 volts). Ceci peut se produire si le câble reliant l'alternateur et l'appareil est trop fin ou trop long pour la quantité de courant ou si il y a une forte demande sur un parc de batteries.

Si cette l.e.d est éteinte, la tension de l'alternateur est inférieure à 10 volts (ce qui veut dire que l'alternateur ne fonctionne pas). Si cette l.e.d est allumée en continu alors la puissance est supérieure à 13.3 volts et l'alternateur fonctionne normalement.

5) l.e.d bleue: Si cette l.e.d est allumée l'appareil fonctionne normalement. Si cette l.e.d clignote cela signifie que l'alternateur est éteint ou ne fonctionne pas. L'appareil est en mode veille.

6) Borne négatif, il s'agit du dispositif de contrôle des bornes négatives un simple câble supportant 10 ampères (2.5mm2) est suffisant pour le faire fonctionner, il doit être connecté aux bornes négatives communes à toutes les batteries et à l'alternateur.

7) Sonde de tension des batteries: C'est ici que nous recommandons de placer la sonde de tension provenant d'un régulateur d'alternateur évolué ou d'un alternateur disposant d'une sonde de tension. Cela permet d'assurer que le régulateur charge tous les parcs de batteries de la même façon et empêche toute surcharge. Si aucun de ces deux appareils n'est utilisé avec l'alternateur, ne vous préoccupez pas de cette connexion.

8) Borne de connexion des parcs de batteries auxiliaires 2 et 3: (Sur un système à deux sorties il y aura seulement un parc de batteries auxiliaire). Liaison avec les parcs de batterie autres que la batterie de démarrage du moteur à laquelle le moteur est relié.

9) Entrée de l'alternateur: Il s'agit du câble de puissance de l'alternateur (B+), il pourrait aussi être utilisé pour un chargeur de batteries ou pour la sortie d'un alternateur vers un chargeur de batteries etc pour augmenter le nombre de batteries que vous voulez charger.

10) Il est recommandé d'utiliser cette borne pour la batterie de démarrage, il n'y a pas de réel problème si on ne l'utilise pas pour la batterie de démarrage. La seule raison est que la batterie connectée à cette borne est utilisée pour fournir une tension à l'alternateur au départ (ceci est nécessaire pour certains types d'alternateur), il est donc important que la batterie connectée à cette borne soit correctement chargée afin d'assurer le fonctionnement de l'alternateur. Le système est aussi étudié pour donner la priorité de recharge à cette batterie.

11) Alimentation du boîtier. A Relier directement à la borne D+ de l'alternateur ou à n'importe quelle alimentation qui fonctionne quand le moteur est en route et qui s'éteint quand le moteur s'arrête. Cela informe l'appareil que le moteur est en marche et l'alimente.

Autres utilisations de ce produit: Peut être utilisé avec un chargeur de batteries à sortie unique pour le transformer en chargeur à sorties multiples, avec une éolienne, avec des panneaux solaires.

Pour tirer le meilleur parti de votre alternateur, il est recommandé d'utiliser ce produit en complément du chargeur d'alternateur ou du régulateur d'alternateur Sterling.

Installation:

L'installation est simple, les instructions sont données pour un appareil de 180 ampères, une entrée et trois sorties et deux entrées et quatre sorties. Cependant un appareil avec deux sorties se connecte de la même façon avec une sortie en moins.

Avant de commencer cette installation déconnectez les câbles négatifs et positifs des batteries, cela évite un court circuit quand on tire les nouveaux câbles, ce qui peut facilement causer un incendie ou faire exploser la batterie. Travaillez toujours de l'appareil vers le parc de batteries, c'est-à-dire fixez les câbles sur l'appareil, puis le fusible et reliez ensuite à la batterie ce qui est beaucoup plus sûr que de commencer par la batterie.

Fusibles: Il est recommandé de placer les fusibles le plus près possible de la batterie et de les installer le plus tôt possible, afin qu'ils protègent des incidents pouvant survenir pendant l'installation. Les fusibles protègent au cas où un câble entre en contact avec le châssis d'un véhicule ou une coque en acier d'un bateau. Les fusibles ne sont pas fournis avec l'appareil, ils peuvent être achetés chez Seatronic. Pour les fusibles conduisant une forte intensité, nous recommandons de choisir des fusibles 50 pour cent plus grands que l'intensité maximum possible en arrondissant au 50 ampères le plus proche.

Il est recommandé de lire toutes les fonctions d'alarme, cela peut vous aider à mieux comprendre le système.

Pour installer l'appareil choisir un endroit frais dans le compartiment moteur, c'est-à-dire aussi bas que possible. Le sens dans lequel on installe l'appareil n'a pas d'importance, mais il a été conçu pour que les câbles ne passent pas par-dessus les bornes qui proviennent d'autres parcs de batteries. Vous pouvez connecter l'appareil sous n'importe quel angle afin de faciliter le câblage. Utiliser les quatre trous de fixation pour fixer fermement l'appareil sur une cloison. Quand tous les câbles sont connectés, lier et sécuriser les câbles de façon à ce qu'ils ne vibrent pas et qu'ils ne touchent aucun autre plot.

Assurez vous que votre alternateur ou vos alternateurs fonctionnent dans les limites de l'appareil. S'il y a deux alternateurs il faut que la somme des deux intensités n'excède pas l'intensité maximum du répartiteur. Pour un répartiteur à deux entrées, chaque sortie peut prendre en charge la totalité de la puissance (pour un modèle conçu pour deux alternateurs 130A, chaque sortie peut supporter 260A.

Fixer l'appareil dans une position pour raccourcir la longueur des câbles utilisés plus les câbles sont courts mieux c'est. Reporter vous aux tableaux adjoints pour déterminer le diamètre des câbles.

Connecter la batterie de démarrage à la borne marquée Start bat. Cette connexion est recommandée pour la batterie de démarrage mais elle peut aussi être utilisée pour une autre batterie, l'intérêt de cette liaison a été expliqué au point 10 précédent.

Connexion négative: Cette connexion est destinée à l'alimentation de l'électronique interne, le courant dans ce câble ne dépasse pas 2 ampères, ainsi un câble 5-10 amp (2.5mm2) suffit largement pour cette connexion. Cette borne peut être reliée à la borne négative du parc de batteries principal ou à n'importe quelle borne négative de l'installation.

Alimentation d'excitation: Il s'agit d'une alimentation. Par exemple on peut utiliser la d+/61/L/ derrière l'alternateur, ou une alimentation directe sur la clé de contact, ou toute autre borne qui est alimentée quand le moteur fonctionne. Il s'agit d'informer l'appareil que le moteur fonctionne (la tension de ce câble doit alors être à 12V).

Comment l'appareil fonctionne t-il et que peut on en attendre ?

Dès que le moteur est démarré l'appareil s'active, au moins une l.e.d. doit s'allumer. L'appareil entre ensuite dans une séquence de test, contrôlant chaque parc de batteries pour s'assurer que tout fonctionne correctement. Ensuite l'appareil charge la batterie de démarrage jusqu'à ce que sa tension dépasse 13.3 volts, cela peut prendre de 10 secondes à 10 minutes en fonction de l'état de charge de la batterie. Ensuite il connecte le parc de batteries 2 à l'alternateur, jusqu'à ce que sa tension soit de 13.3 volts, ensuite le parc de batteries 3 sera connecté. Toutes les sorties sont maintenant connectées, le système recharge alors tous les parcs de batteries en même temps depuis l'alternateur.

Le système continue de contrôler toutes les entrées et toute les sorties. Si on tire du courant sur un parc de batteries, celui qui doit supporter la charge la plus importante (par exemple un guindeau peut être actionné) sera maintenu en ligne avec l'alternateur pour lui fournir le maximum de courant. Les autres parcs de batteries seront isolés pour éviter que celles-ci se déchargent dans la batterie sollicitée.

Cet isolement dure jusqu'à ce que le parc de batterie sollicité atteigne une tension de 13,3 volts (ou si la batterie de démarrage a une tension inférieure à 12.4 volts). Quand le moteur est éteint l'appareil s'éteint après 10 seconde, il n'utilise pas de puissance.

Installation double Alternateur: Deux alternateurs ou même plus peuvent être installés sur l'entrée alternateur. Ils peuvent être sur le même moteur ou sur des moteurs différents

Double moteur, double alternateur: Ceci est un montage spécifique utile pour les bateaux à moteur disposant de deux moteurs (Yanmar, Volvo...), chacun des moteurs est en général équipé d'un alternateur 110A. Sur une installation classique, une grande partie de l'énergie produite par les alternateurs n'est pas utilisée chacun des alternateurs rechargeant un nombre restreint et défini de parcs de batteries. La mise en place d'un répartiteur pro split R avec deux entrées alternateur permet de transmettre l'énergie de façon optimale sur l'ensemble des parcs.

Autres utilisations: Cet appareil peut être utilisé pour d'autres fonctions, sachant qu'il n'y a aucune perte de tension quand le courant le traverse, il peut diviser les sorties depuis n'importe quelle source d'électricité et distribuer le courant à différents parcs de batteries. On peut l'utiliser avec un chargeur de batteries qui n'a qu'une entrée pour recharger plusieurs parcs.. il suffit de connecter la sortie puissance de l'appareil à la borne consacrée à l'alternateur.

Fonctionnement et alarmes: En fonctionnement normal, les alarmes ne doivent pas être activées, certaines alarmes ont un fonctionnement déterministe (ex alarme de sécurité qui débranche l'alternateur lorsque celui-ci a une tension trop élevée), d'autres ont un fonctionnement moins systématique, c'est par exemple le cas de celle qui assure la priorité de recharge à la batterie de démarrage comme le démontre l'exemple ci dessous.

En cas de décharge de la batterie de démarrage le système fonctionne à l'aide d'un minuteur.

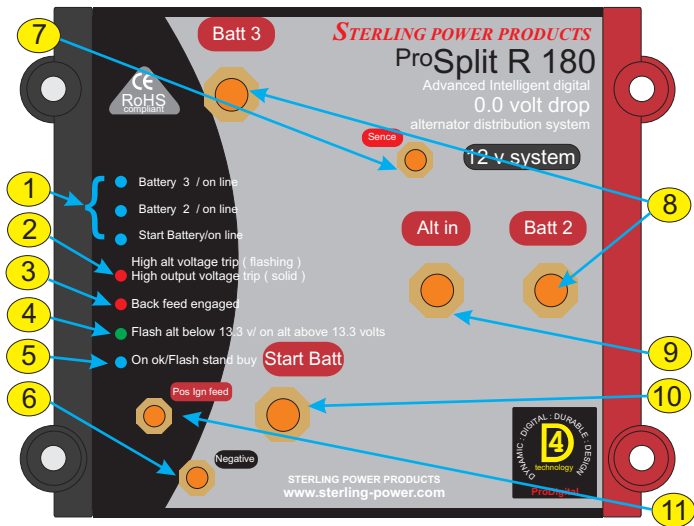
A la première alerte si la batterie de démarrage est trop faible (la tension passe sous 12.6V)

l'appareil maintient uniquement cette batterie connectée à l'alternateur pendant une minute.

Ensuite, il se rebranche pour recharger les autres batteries, si de nouveau la batterie de démarrage donne des signes de faiblesse, la connexion directe va durer 2 minutes puis les autres batteries reviennent en ligne et ainsi de suite. Si l'alarme est toujours déclenchée votre alternateur n'est pas assez puissant, il faut envisager d'installer un autre alternateur.

Rappelez vous que la meilleure façon d'optimiser le rendement de l'alternateur est de mettre en place un chargeur d'alternateur ou un régulateur d'alternateur Sterling.

ProSplit R - Mise en page et schéma de



QUEL CABLE UTILISER EN mm²

Puissance de l'appareil	distance 0-1.5 m	1.5 - 4 m
0-25 amps	6 mm ²	10 mm ²
25-45 amps	16 mm ²	25 mm ²
45-85 amps	25 mm ²	35 mm ²
85-125 amps	35 mm ²	50 mm ²
125- 180 amps	50 mm ²	70 mm ²
180-330 amps	70 mm ²	90 mm ²

Si vous avez des difficultés à passer un câble de 90mm² par exemple, vous pouvez sans problème utiliser deux câbles de 50mm² ou 3 câbles de 35mm². Ce qui compte c'est uniquement la surface de cuivre. D'autre part, il n'est pas gênant d'avoir des longs câbles dans la mesure où la section est respectée.

Toutes les sorties doivent être connectées.

Si non, puis connectez les sorties non utilisées pour les sorties utilisées

