

**BA30144**  
**PRIMA M50**

BA30144  
2009/05/13

The information given within this parts book was correct at the time of printing and is subject to change without notice. Always refer to your local Perkins outlet for the latest information. Only fully trained personnel should carry out servicing of engines. Before working on any engine always refer to the correct user service and maintenance manual.

Always refer to your local Perkins outlet before purchasing any parts

Subject to any existing rights of third parties, the information given in this document is the property of Perkins Engines Limited and should not be copied, in whole or part, without the prior written consent of the Company.



## **Contents**

1.	Introduction	Pg. 4
2.	How To Use Your Parts Book	Pg. 4
3.	Engine Breakdown	Pg. 5
4.	Symbol Descriptions	Pg. 7
5.	Parts Lists & Illustrations	Pg. 9
6.	Parts Index	Pg. 114

## **Introduction**

The build list of your engine, found on the front page of this parts book, provides a unique reference to the components fitted to your engine; therefore this parts book is only applicable to this particular engine

Always quote your build list and engine serial number when contacting your Perkins outlet.

## **How to use your Parts Book**

This parts book has been designed to provide you with all the information you need to identify parts to service your engine. There are several features within the book to make it easy to find the parts you require.

### **Front Page**

This lists your build list number and the date of publication of this book

### **Symbol Descriptions**

Provides a quick reference guide to the symbols used within the book.

### **Engine Breakdown**

Use this to identify all the major sections of your engine and the relevant pages within the book.

### **Parts Lists & Illustrations**

This section shows each major section of your engine broken down into individual part numbers along with an associated illustration for identifying the parts you require.

The illustrations used in this parts book are representational only and should only be used for identification purposes.

For fitting instructions please refer to your engine Service Manual.

### **Parts Index**

Using either the part number or description of the part you require this section will help you locate the page within the **Parts Lists & Illustrations** section where the part appears.

<b>Section</b>	<b>Page</b>
<b>Short Engine ACEB9624</b>	<b>9</b>
<b>Cylinder Block ACHB0023</b>	<b>11</b>
<b>Crankshaft, Pistons &amp; Connecting Rods ACHB0023</b>	<b>13</b>
<b>Cylinder Head ACHB0023</b>	<b>15</b>
<b>Timing Gear &amp; Camshaft ACHB0023</b>	<b>19</b>
<b>Lubricating Oil Pump &amp; Delivery Housing ACHB0023</b>	<b>21</b>
<b>Fuel Injection Equipment (Diesel) AFHB2029</b>	<b>23</b>
<b>Fuel Injection Equipment (Diesel) AFHB2029</b>	<b>25</b>
<b>Fuel Injection Equipment (Diesel) AFHB2029</b>	<b>27</b>
<b>PTO Clutch &amp; Gearbox BDHB0469</b>	<b>31</b>
<b>PTO Clutch &amp; Gearbox BDHB0469</b>	<b>33</b>
<b>PTO Clutch &amp; Gearbox BDHB0469</b>	<b>35</b>

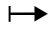
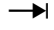
















<b>Section</b>	<b>Page</b>
<b>Flywheel Housing CDHB0715</b>	<b>39</b>
<b>Flywheel Housing CDHB0850</b>	<b>41</b>
<b>Flywheel &amp; Starter Ring DDHB0780</b>	<b>43</b>
<b>Starter Motor EDHB0596</b>	<b>45</b>
<b>Starter Motor EDHB0596</b>	<b>47</b>
<b>Lubricating Oil Sump GBHB1533</b>	<b>49</b>
<b>Lubricating Oil Filler &amp; Breather HBHB1376</b>	<b>51</b>
<b>Lubricating Oil Filter &amp; Integral Oil Cooler JBHB0989</b>	<b>53</b>
<b>Front End Drive Input KBHB0564</b>	<b>55</b>
<b>Water Pump, Thermostat &amp; Heat Exchanger LBHB1382</b>	<b>57</b>
<b>Water Pump, Thermostat &amp; Heat Exchanger LBHB1382</b>	<b>61</b>
<b>Water Outlet &amp; Inlet LDHB0459</b>	<b>65</b>

**Engine Breakdown**

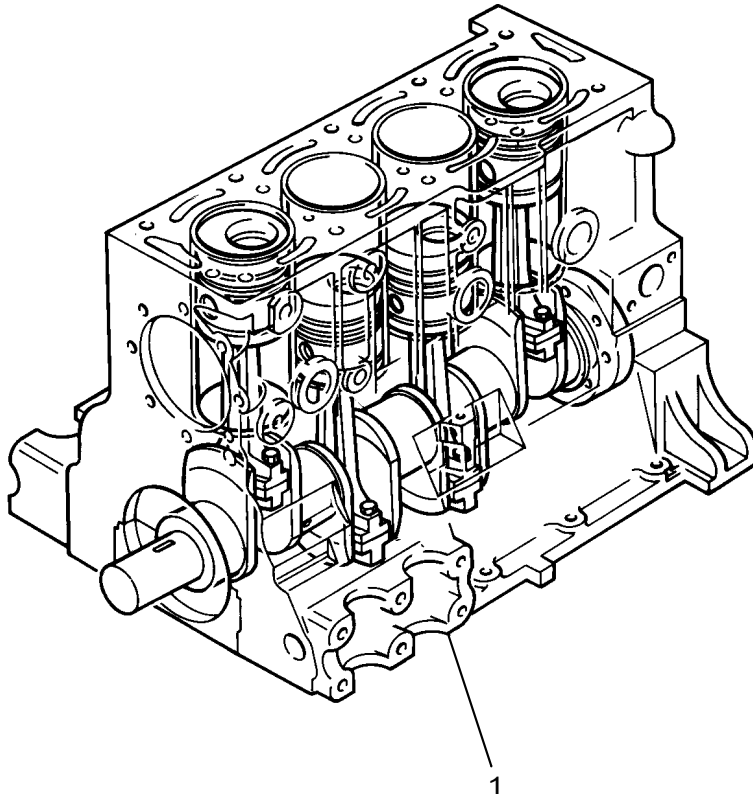
<b>Section</b>	<b>Page</b>
<b>Alternator &amp; Generator NDHB1723</b>	<b>67</b>
<b>Alternator &amp; Generator NDHB1723</b>	<b>69</b>
<b>Gear Driven Sea Water Pump QBHB0131</b>	<b>71</b>
<b>Gear Driven Sea Water Pump QBHB0131</b>	<b>73</b>
<b>Gear Drive Auxiliary Drive Option QDHB0852</b>	<b>75</b>
<b>Induction Manifold TBHB0539</b>	<b>77</b>
<b>Air Cleaner &amp; Restriction Indicator TDHB0213</b>	<b>79</b>
<b>Exhaust Outlet Flange UDHB0377</b>	<b>81</b>
<b>Low Pressure Fuel System VBHB1367</b>	<b>83</b>
<b>Low Pressure Fuel System VBHB1367</b>	<b>85</b>
<b>Low Pressure Fuel System VBHB1367</b>	<b>87</b>
<b>Cold Start System WDHB0176</b>	<b>89</b>
<b>Engine Lifting XBHB0292</b>	<b>91</b>

<b>Section</b>	<b>Page</b>
<b>Throttle &amp; Stop Controls ZAHB0502</b>	<b>93</b>
<b>Mountings (Front &amp; Rear) ZCHB0765</b>	<b>95</b>
<b>Lub. Oil Sump Drain Pump ZGHB0040</b>	<b>97</b>
<b>Lub. Oil Pressure Switch &amp; Gauge ZJHB0408</b>	<b>99</b>
<b>Temperature Gauge &amp; Sender ZLHB0184</b>	<b>101</b>
<b>Radiator &amp; Cowling ZMHB0248</b>	<b>103</b>
<b>Instrumentation Assembly ZNHB0145</b>	<b>105</b>
<b>Instrumentation Assembly ZNHB0145</b>	<b>109</b>
<b>Application Miscellaneous &amp; Auxiliaries ZZUB0100</b>	<b>111</b>
<b>Joints &amp; Gaskets - Complete Service Kit SGBB0117</b>	<b>113</b>

## Symbols and Notes

Symbol	Description
	From Engine Number
	Upto Engine Number
	Repairs and Replaces
	See Appropriate Section - Reference Number
	Alternative
	Order
	Remanufactured Part
	New for Old Part
	Number of Teeth
	Thickness
	Bottom
	Top
	Left Hand
	Right Hand
	Reference for Detailed Breakdown
	Other Service Options Available
	Cylinder Number
	See History Section

ACEB9624



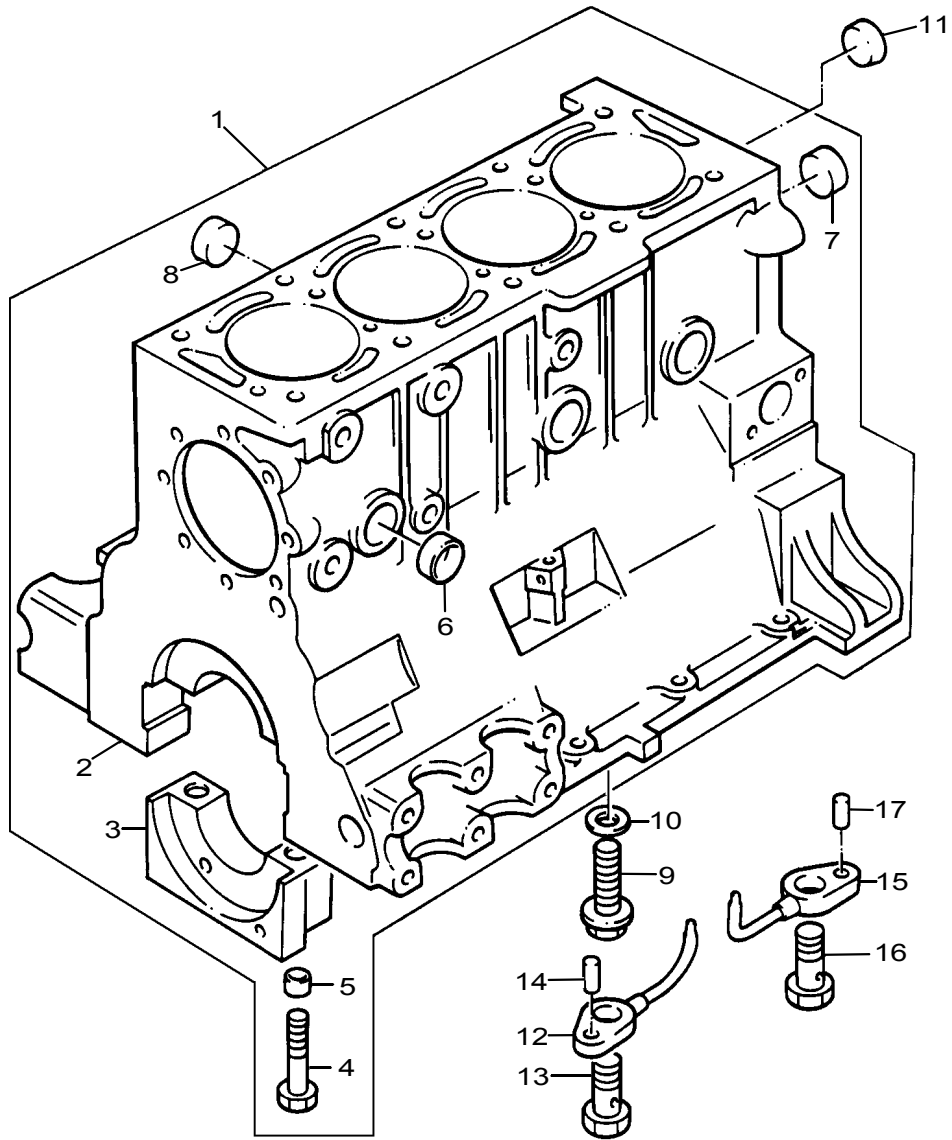


<b>Short Engine</b>	<b>Plate A</b>
	<b>ACEB9624</b>

Item	Part No.	References	Qty.	Description	Notes
1	BA39624	↻	1	SHORT ENGINE	
2	├──		1	CYLINDER BLOCK	(A)
2	├──		1	CRANKSHAFT	
2	├──		4	PISTON	
2	├──		4	PISTON RING	
2	├──		4	CONROD	
2	├──		10	MAIN BEARING	
2	├──		8	BIG END BEARING	
2	├──		4	THRUST WASHER	
2	├──		1	SEAL	
2	├──		1	HOUSING	
<b>Service Options</b>					
1	BA39624R		1	SHORT ENGINE - EXCHANGE	

<b>Footnotes</b>	
(A)	COMPLETE WITH PLUGS

ACHB0023



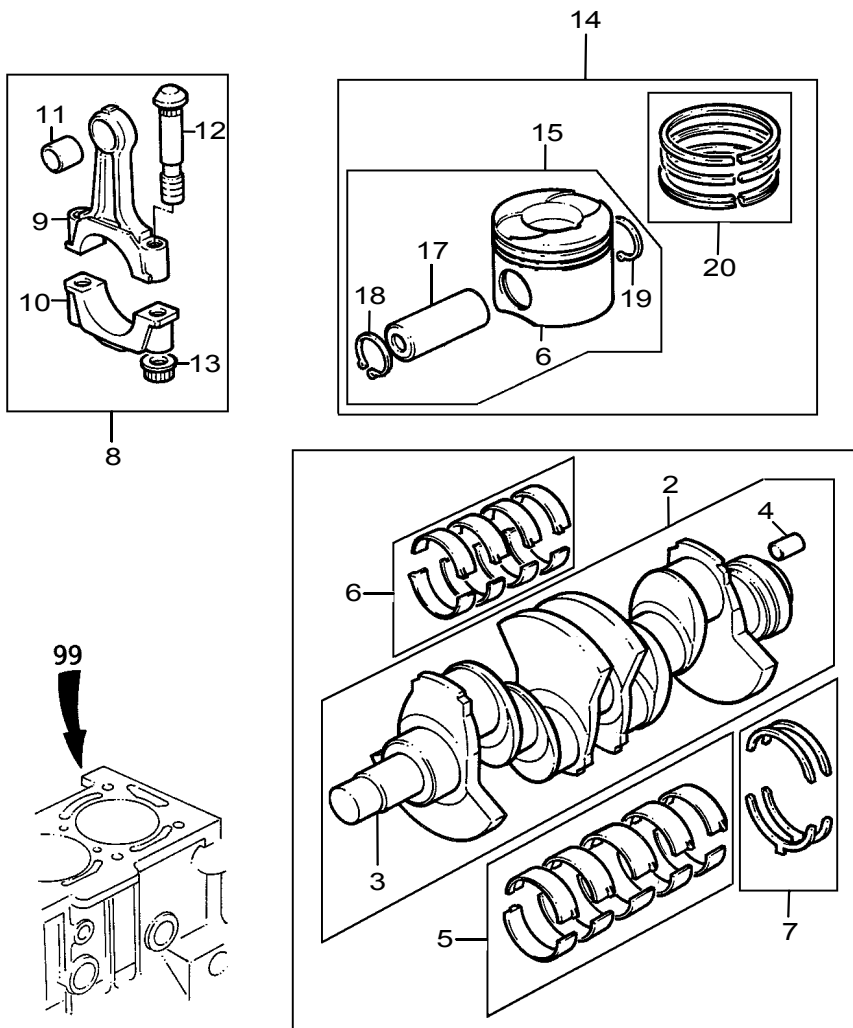
ACHB0023

Item	Part No.	References	Qty.	Description	Notes
1	M145AF06	●○ M145AF03 ●○ M145AF02	1	CYLINDER BLOCK ASSEMBLY	
2	├──	⇒ REF.1	1	CYLINDER BLOCK	
3	├──	⇒ REF.1	5	BEARING CAP	
4	├── L278CF03		10	SCREW	
5	├── L312FF01		10	DOWEL	
6	├── L2416F01		3	PLUG	
7	├── L2416F01		1	PLUG	
8	├── L2416F01		4	PLUG	
9	2314H602	●○ 2314H601 ●○ 2314H131	4	SCREW	(A)
10	2411152	→ 28/02/94	4	WASHER	(A)
10	2131A008		1	WASHER	(B)
11	32417136		1	PLUG	(C)

**Footnotes**

(A)	PISTON COOLING PRESSURE RAIL
(B)	USED ONLY WITH 2314H602
(C)	LUBRICATING OIL PRESSURE RAIL

ACHB0023



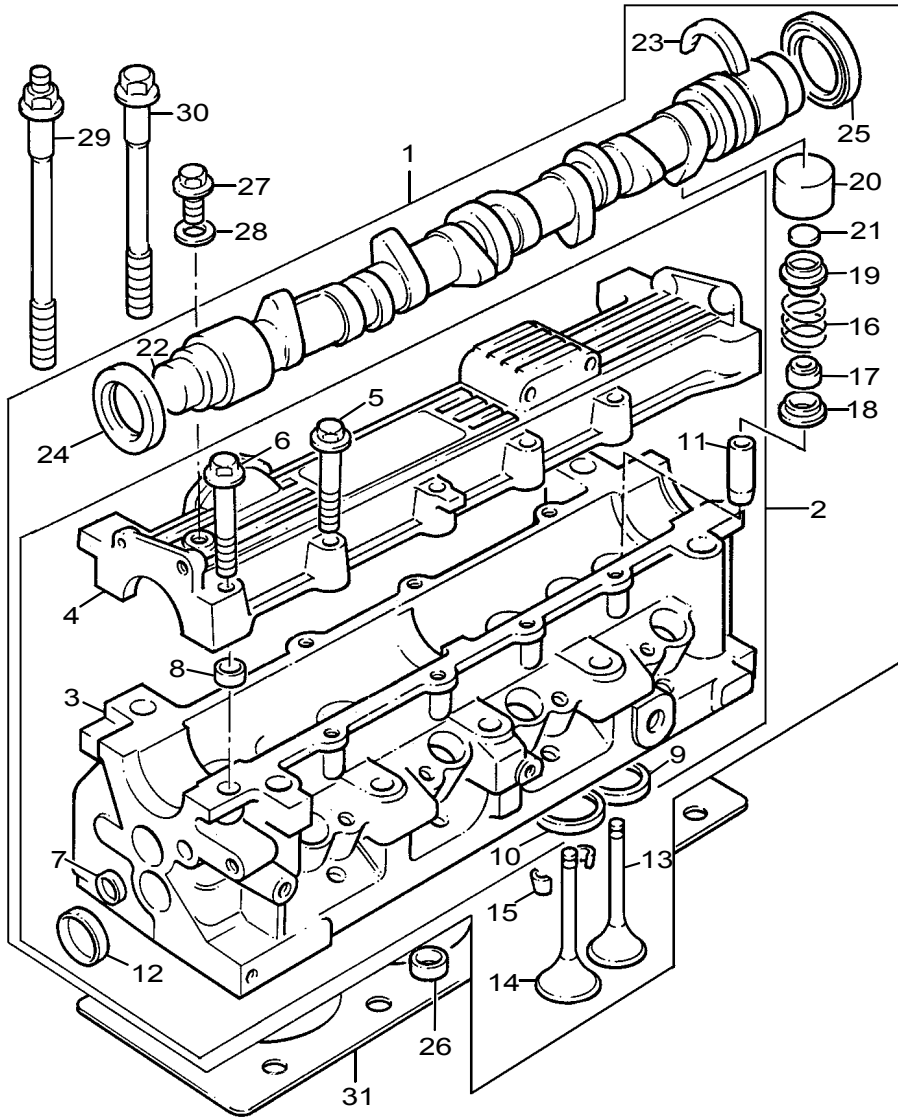
ACHB0023

Item	Part No.	References	Qty.	Description	Notes
1	ZZ90161	●○ ZZ90126 ●○ U5BG0039 ○	1	CRANKSHAFT KIT	(A)
2	├─ M113AF02	●○ M113AF01	1	CRANKSHAFT KIT	(A)
3	├─┬─	⇒ REF.2	1	CRANKSHAFT	
4	├─┬─┬─ L2453F01		1	DOWEL	
5	├─ U5MB0006		1	MAIN BEARING KIT	(B)
5	├─ U5MB0006A	∇ (-)0.30MM	X	MAIN BEARING KIT - U/S	(B)
6	├─ U5ME0004		1	BIG END BEARING KIT	(B)
6	├─ U5ME0004A	∇ (-)0.30MM	X	BIG END BRG KIT - U/S	(B)
7	├─ 41159001	●○ U5TW0001	1	THRUST WASHER	
8	ZZ90074	●○ M115CF01	1	CON ROD ASSEMBLY	
9	├─	⇒ REF.8	4	CONROD	
10	├─	⇒ REF.8	4	BEARING CAP	
11	├─ L112CF01		4	SMALL END BUSH	
12	├─ L2153F01		8	SCREW	
13	├─ L3551F01		8	CON ROD NUT	
14	U5PR0028		4	PISTON AND RING KIT	(C)
14	U5PR0028B	∇ (+) 0.5MM	X	PISTON AND RING KIT	(C)
14	U5PR0029		4	PISTON AND RING KIT	(D)
14	U5PR0029B	∇ (+) 0.5MM	X	PISTON AND RING KIT	(D)
15	├─ U5LP0038		1	PISTON KIT	(C)
15	├─ U5LP0038B	∇ (+) 0.5MM	1	PISTON KIT	(C)
15	├─ U5LP0039		1	PISTON KIT	(D)
15	├─ U5LP0039B	∇ (+) 0.5MM	1	PISTON KIT	(D)
16	├─┬─	⇒ REF.15	1	PISTON	
17	├─┬─	⇒ REF.15	1	PIN	
18	├─┬─┬─ 2721A021		1	CIRCLIP	
19	├─┬─┬─ 2721A021		1	CIRCLIP	
20	├─ M181CF01	∇ STD	1	PISTON RING KIT	
20	├─ M181CF02	∇ (+) 0.5MM	1	PISTON RING KIT	
99			X	.	(E)
<b>Service Options</b>					
1	ZZ90161P		1	CRANKSHAFT KIT - EXCHANGE	

**Footnotes**

(A)	SEE TIMING GEAR SECTION ALSO FRONT END DRIVE INPUT SECTION
(B)	BEARINGS ARE PRE-FINISHED
(C)	PRE-TOPPED.SERVICES HEIGHT GRADES 1,2 AND 3.( REFER TO SERVICE MANUAL FOR DETAILS )
(D)	PRE-TOPPED.SERVICES HEIGHT GRADES 4,5 AND 6.( REFER TO SERVICE MANUAL FOR DETAILS )
(E)	LOCATION OF CYLINDER BORE GRADES STAMPING

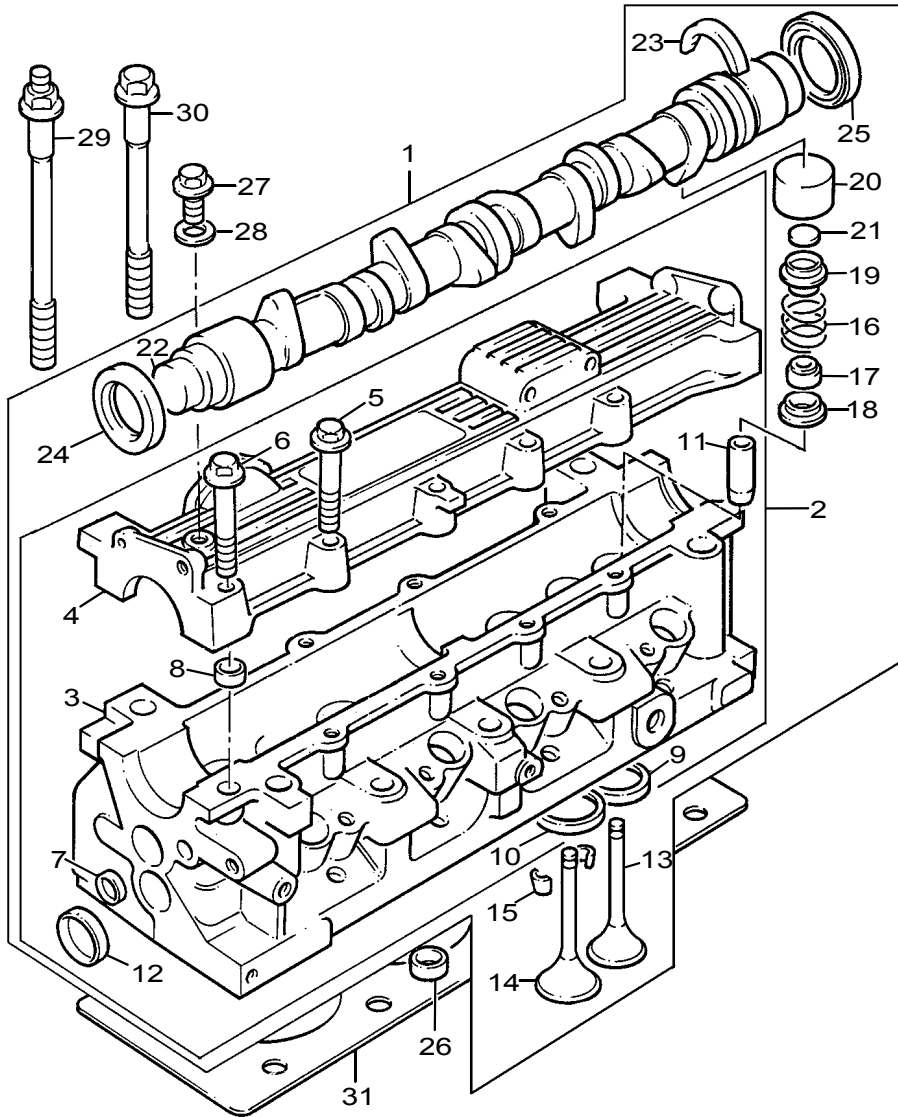
ACHB0023



ACHB0023

Item	Part No.	References	Qty.	Description	Notes
1	M145DF18	<ul style="list-style-type: none"> <li>● M145DF17</li> <li>● M145DF16/13</li> <li>● M145DF12/08</li> <li>↻</li> </ul>	1	CYLINDER HEAD	
2	└─M145DF21	<ul style="list-style-type: none"> <li>● M145DF09</li> <li>● M145DF06</li> </ul>	1	CYLINDER HEAD	
3	└─┬─	⇒ REF.2	1	CYLINDER HEAD	
4	└─┬─	⇒ REF.2	1	COVER	
5	└─┬─2314H008		7	SCREW	
6	└─┬─2314H009		4	SCREW	
7	└─┬─L2417F01		2	PLUG	
8	└─┬─L312DF01		2	DOWEL	
9	└─┬─L314AF01		4	INSERT	
10	└─┬─L314AF11		4	INSERT	
11	└─┬─L343FF01		8	GUIDE	
12	└─┬─L2412F01		4	PLUG	
13	└─L142HF11	● L142AF02	4	INTAKE VALVE	
14	└─L142HF21	● L142HF01	4	EXHAUST VALVE	
15	└─L142WF01		16	VALVE COLLET	(A)
15	└─L142WF02		16	VALVE COLLET	(B)
16	└─L174PF02		8	SPRING	
17	└─K415JF01		8	SEAL	(C)
17	└─K415JF02		8	SEAL - VALVE STEM	(D)
18	└─L341CF01		8	SPRING WASHER	(E)
19	└─L342TF01		8	CAP	(A)
19	└─3342T012		8	CAP	(B)
20	└─K561AF01	<ul style="list-style-type: none"> <li>● L142UF03</li> <li>● K561AF01</li> </ul>	8	TAPPET	
21	└─L2411F01	≡ 3.400MM	8	SHIM	
21	└─L2411F02	≡ 3.375MM	X	SHIM	
21	└─L2411F03	≡ 3.350MM	X	SHIM	
21	└─L2411F04	≡ 3.325MM	X	SHIM	
21	└─L2411F05	≡ 3.302MM	X	SHIM	
21	└─L2411F06	≡ 3.277MM	X	SHIM	
21	└─L2411F07	≡ 3.251MM	X	SHIM	
21	└─L2411F08	≡ 3.226MM	X	SHIM	
21	└─L2411F09	≡ 3.200MM	X	SHIM	
21	└─L2411F11	≡ 3.175MM	X	SHIM	
21	└─L2411F12	≡ 3.150MM	X	SHIM	
21	└─L2411F13	≡ 3.124MM	X	SHIM	
21	└─L2411F14	≡ 3.099MM	X	SHIM	
21	└─L2411F15	≡ 3.073MM	X	SHIM	
21	└─L2411F16	≡ 3.048MM	X	SHIM	
21	└─L2411F17	≡ 3.023MM	X	SHIM	
21	└─L2411F18	≡ 2.997MM	X	SHIM	
21	└─L2411F19	≡ 2.972MM	X	SHIM	
21	└─L2411F21	≡ 2.946MM	X	SHIM	
21	└─L2411F22	≡ 2.921MM	X	SHIM	
21	└─L2411F23	≡ 2.896MM	X	SHIM	

ACHB0023





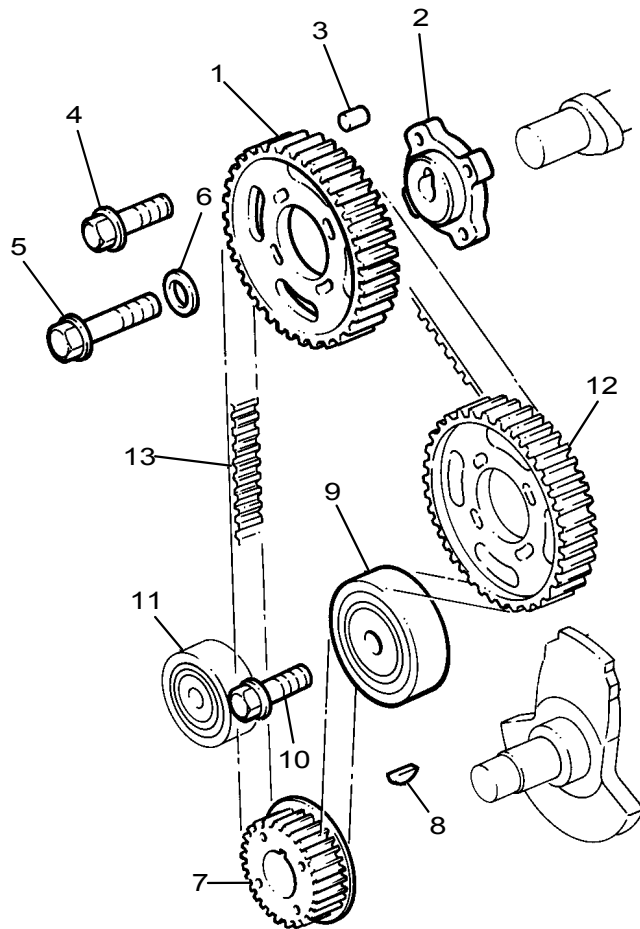
ACHB0023

Item	Part No.	References	Qty.	Description	Notes
21	L2411F24	$\frac{2.870}{\pm}$ MM	X	SHIM	
21	L2411F25	$\frac{2.845}{\pm}$ MM	X	SHIM	
21	L2411F26	$\frac{2.819}{\pm}$ MM	X	SHIM	
21	L2411F27	$\frac{2.794}{\pm}$ MM	X	SHIM	
21	L2411F28	$\frac{2.769}{\pm}$ MM	X	SHIM	
21	L2411F29	$\frac{2.743}{\pm}$ MM	X	SHIM	
21	L2411F31	$\frac{2.718}{\pm}$ MM	X	SHIM	
21	L2411F32	$\frac{2.692}{\pm}$ MM	X	SHIM	
21	L2411F33	$\frac{2.667}{\pm}$ MM	X	SHIM	
21	L2411F34	$\frac{2.642}{\pm}$ MM	X	SHIM	
21	L2411F35	$\frac{2.616}{\pm}$ MM	X	SHIM	
21	L2411F36	$\frac{2.591}{\pm}$ MM	X	SHIM	
21	L2411F37	$\frac{2.565}{\pm}$ MM	X	SHIM	
21	L2411F38	$\frac{2.540}{\pm}$ MM	X	SHIM	
21	L2411F39	$\frac{2.515}{\pm}$ MM	X	SHIM	
21	L2411F41	$\frac{2.489}{\pm}$ MM	X	SHIM	
21	L2411F42	$\frac{2.464}{\pm}$ MM	X	SHIM	
21	L2411F43	$\frac{2.438}{\pm}$ MM	X	SHIM	
21	L2411F44	$\frac{2.413}{\pm}$ MM	X	SHIM	
21	L2411F45	$\frac{2.388}{\pm}$ MM	X	SHIM	
21	L2411F46	$\frac{2.362}{\pm}$ MM	X	SHIM	
21	L2411F47	$\frac{2.337}{\pm}$ MM	X	SHIM	
21	L2411F48	$\frac{2.311}{\pm}$ MM	X	SHIM	
21	L2411F49	$\frac{2.286}{\pm}$ MM	X	SHIM	
22	L141DF02	● L141DF11	1	CAMSHAFT	
23	L112TF03		1	WOODRUFF KEY	
24	K418FF05		1	SEAL - CAMSHAFT	
25	K418FF02		1	SEAL - CAMSHAFT	
26	L381DF01		2	DOWEL	
27	2314H101		1	SCREW	
28	2411152		1	WASHER	
29	L278HF01		4	SCREW	
30	L278CF02		6	SCREW	
31	L681EF06	● L681EF05	1	GASKET - CYLINDER HEAD	
<b>Service Options</b>					
1	M145DF18P		1	CYLINDER HEAD KIT - EXCH	

**Footnotes**

(A)	USED ONLY WITH M145DF08,M145DF12,M145DF13,M145DF16 AND M145DF17
(B)	USED ONLY WITH M145DF18
(C)	USED ONLY WITH M145DF06/M145DF08/M145DF12/M145DF13/M145DF16.
(D)	USED ONLY WITH M145DF17/M145DF18.
(E)	USED ONLY WITH M145DF08,M145DF12,M145DF13 AND M145DF16

ACHB0023



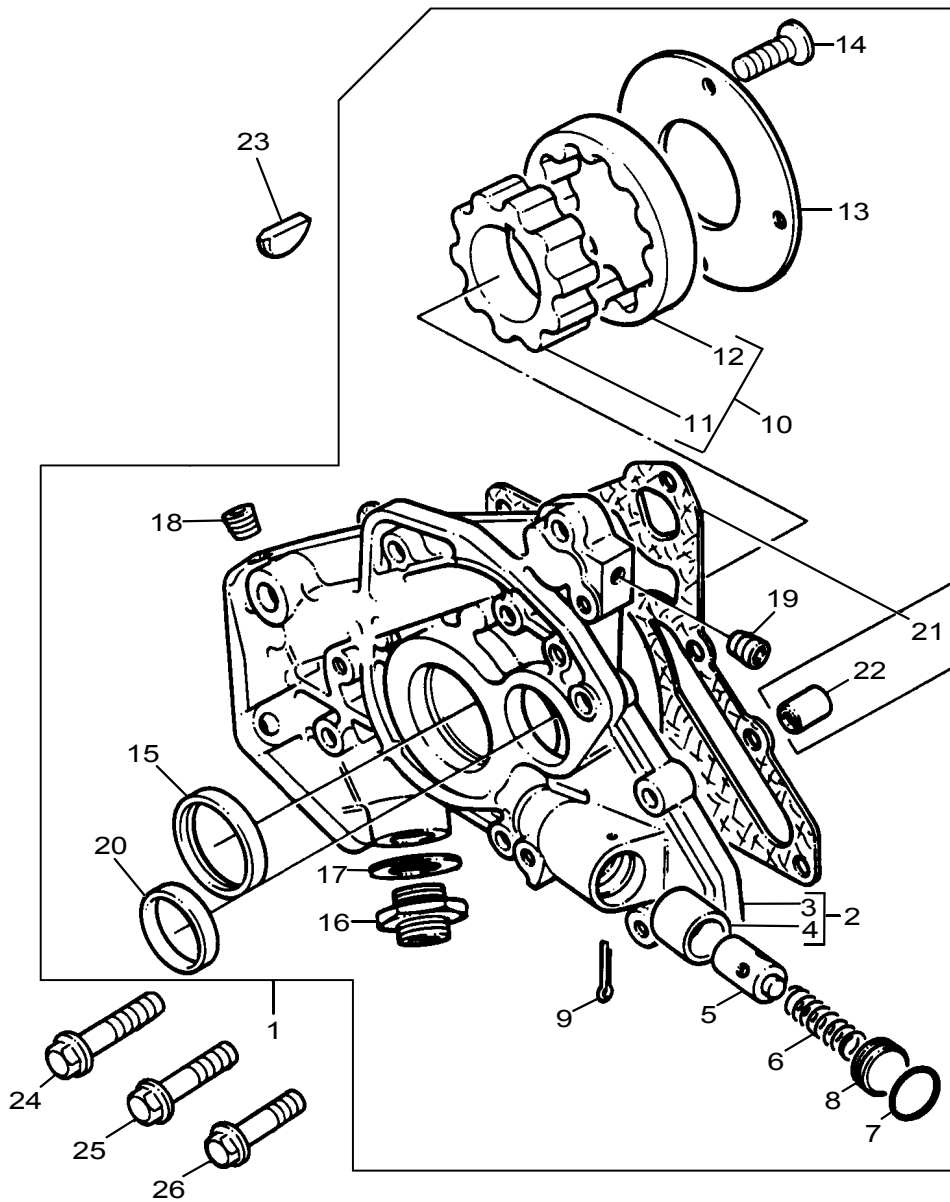
ACHB0023

Item	Part No.	References	Qty.	Description	Notes
1	3114X102	●○ 3114X101	1	CAMSHAFT PULLEY	
2	L744EF01		1	HUB	
3	2114A048		1	DOWEL	
4	2314H003		4	SCREW	
5	2315D086		1	SCREW	
6	L311KF02		1	WASHER	
7	3114A003	●○ 3114A002 ●○ 3114A001	1	CRANKSHAFT PULLEY	(A)
7	L114AF31		1	CRANKSHAFT PULLEY	(B)
8	L623CF01		1	WOODRUFF KEY	(A)
8	3611A004		1	WOODRUFF KEY	(B)
9	K522DF04		1	IDLER PULLEY	
10	2314J003		1	SCREW	
11		☞ LBHB	1	TENSIONER	
12		☞ AFHB	1	PULLEY	
13		☞ LBHB	1	BELT	

**Footnotes**

(A)	USED ONLY WITH ZZ90126/M113AF01
(B)	USED ONLY WITH ZZ90161/M113AF02

ACHB0023



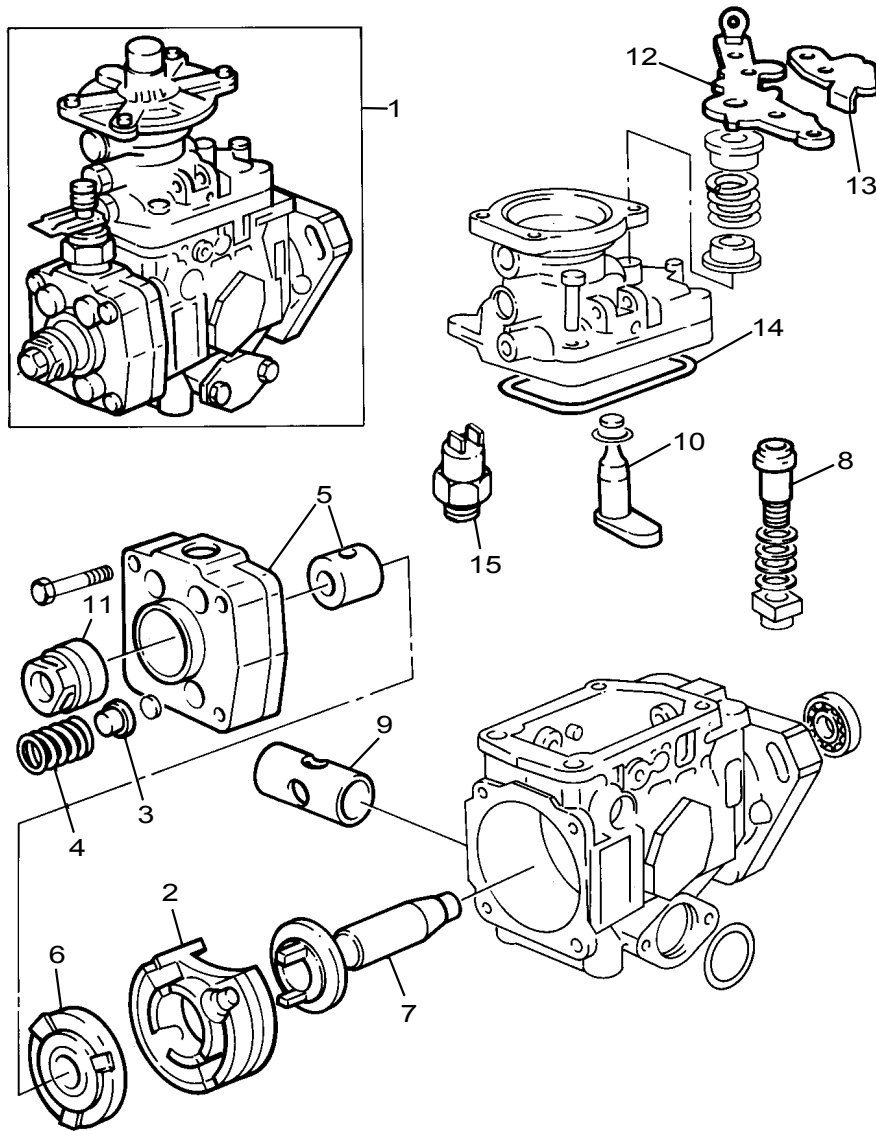
ACHB0023

Item	Part No.	References	Qty.	Description	Notes
1	4132F061	→ U517580S ● 4132F037/33 ● M132FF07	1	OIL PUMP	(A,B)
1	4132F061	→ U517581S ● 4132F037	1	OIL PUMP	(A)
2	├─ 3771V802		1	HOUSING	(C)
2	├─ L771VF13		1	HOUSING	(D)
2	├─ 3771V801		1	HOUSING	(E)
2	├─ 3771V803		1	HOUSING	(F)
3	├─ ┌	⇒ REF.2	1	HOUSING	
4	├─ └	⇒ REF.2	1	SLEEVE	
5	├─ L271PF01		1	PLUNGER	
6	├─ L174DF01		1	SPRING	(F)
6	├─ L174DF02		1	SPRING	(G)
7	├─ K415EF01		1	O RING	(F)
8	├─ L271AF03		1	PLUG	(F)
9	├─ 2117048		1	PIN	(F)
10	├─ ┌	⇒ REF.1	1	ROTOR	
11	├─ └	⇒ REF.10	1	ROTOR	
12	├─ └	⇒ REF.10	1	ROTOR	
13	├─ L741EF01		1	PLATE	
14	├─ L211TF01		4	SCREW	
15	├─ K418AF02	● K418AF01	1	SEAL - FRONT END OIL	
18	├─ 2431131		1	PLUG	
19	├─ 2431131		1	PLUG	
20	├─ L242CF01		1	PLUG	
16			1	CONNECTION	(H)
17			1	WASHER	(H)
21	L687YF02		1	GASKET - LIFT PUMP	
22	L313AF01		1	DOWEL	
23	L623CF03		1	WOODRUFF KEY	
24	2314F107		7	SCREW	
25	2314F036		1	SCREW	
26	2314J036		1	SCREW	

## Footnotes

(A)	SEE JBHB SECTION FOR JOINT.
(B)	WAS 4132F033 USE 4132F037 WITH 3687W005/M134EF04/2431131-2.
(C)	USED ONLY WITH 4132F037
(D)	USED ONLY WITH M132FF07
(E)	USED ONLY WITH 4132F033
(F)	USED ONLY WITH M132FF07/4132F033/4132F037
(G)	USED ONLY WITH 4132F061
(H)	NOT FITTED ON THIS APPLICATION

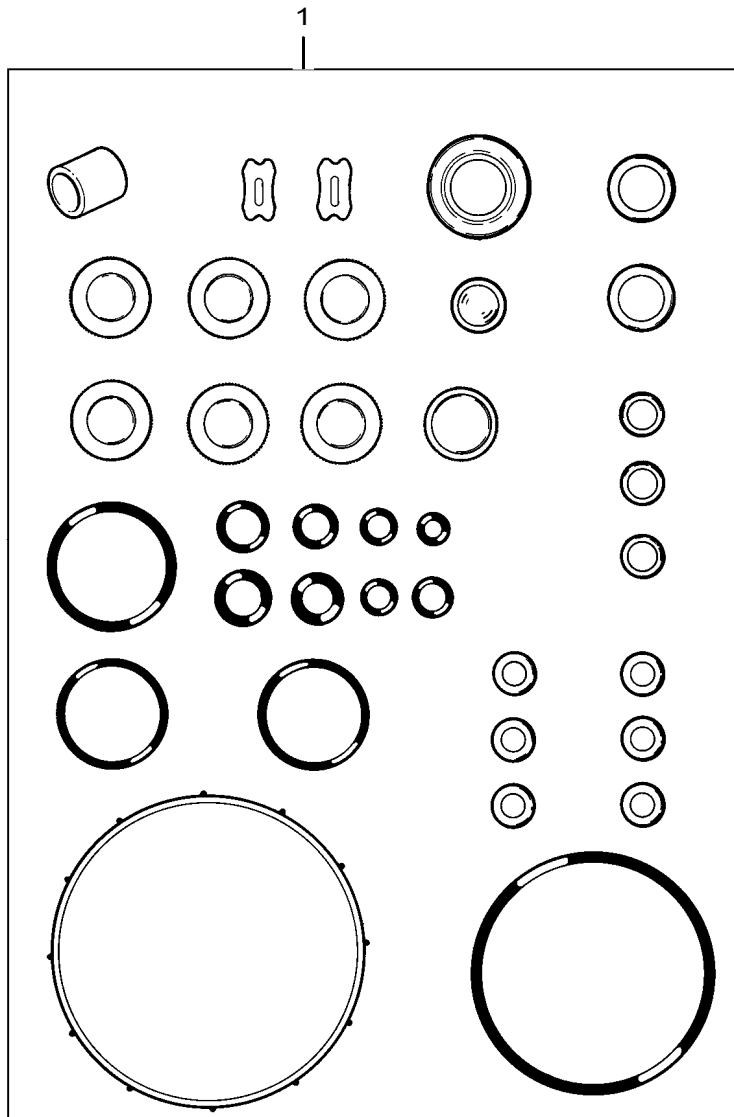
AFHB2029



AFHB2029

Item	Part No.	References	Qty.	Description	Notes
1	2643H052	↻	1	FUEL INJECTION PUMP	
2	—26439039		1	RING	
3	—26439043		1	VALVE	
4	—26439047		1	SPRING	
5	—26439099		1	ROTOR	
6	—26439059		1	RING	
7	—26439063		1	SHAFT	
8	—26439100		1	VALVE	
9	—26439070		1	TIMING DEVICE	
10	—26439078		1	SHAFT	
11	—26439101		1	PLUG	
15	—26439104		2	SOLENOID	
<b>Service Options</b>					
1	2643H052R		1	FUEL INJ PUMP - EXCH	

AFHB2029

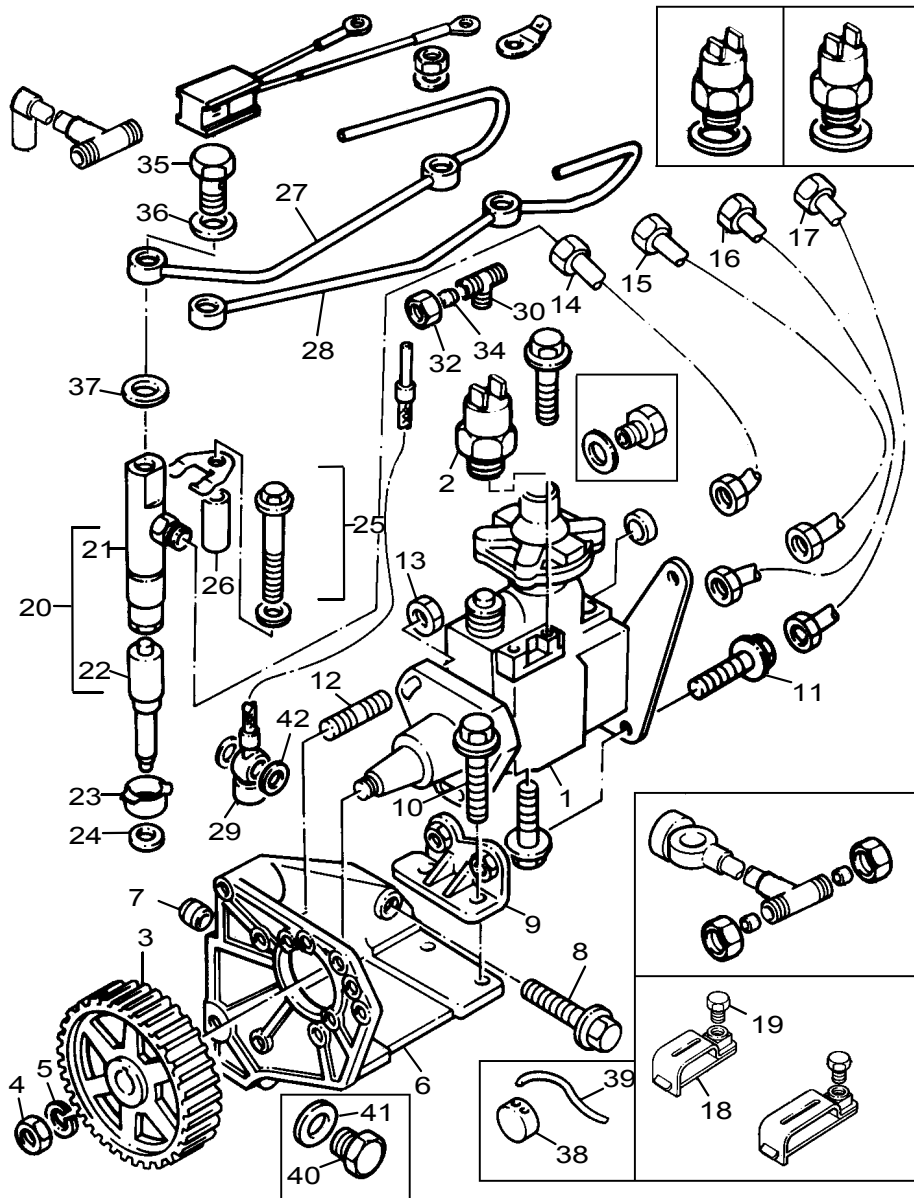








<b>Fuel Injection Equipment (Diesel)</b>		<b>Plate H</b>
		<b>AFHB2029</b>

<b>Item</b>	<b>Part No.</b>	<b>References</b>	<b>Qty.</b>	<b>Description</b>	<b>Notes</b>
1	26439035		X	REPAIR KIT - FUEL INJ PUMP	

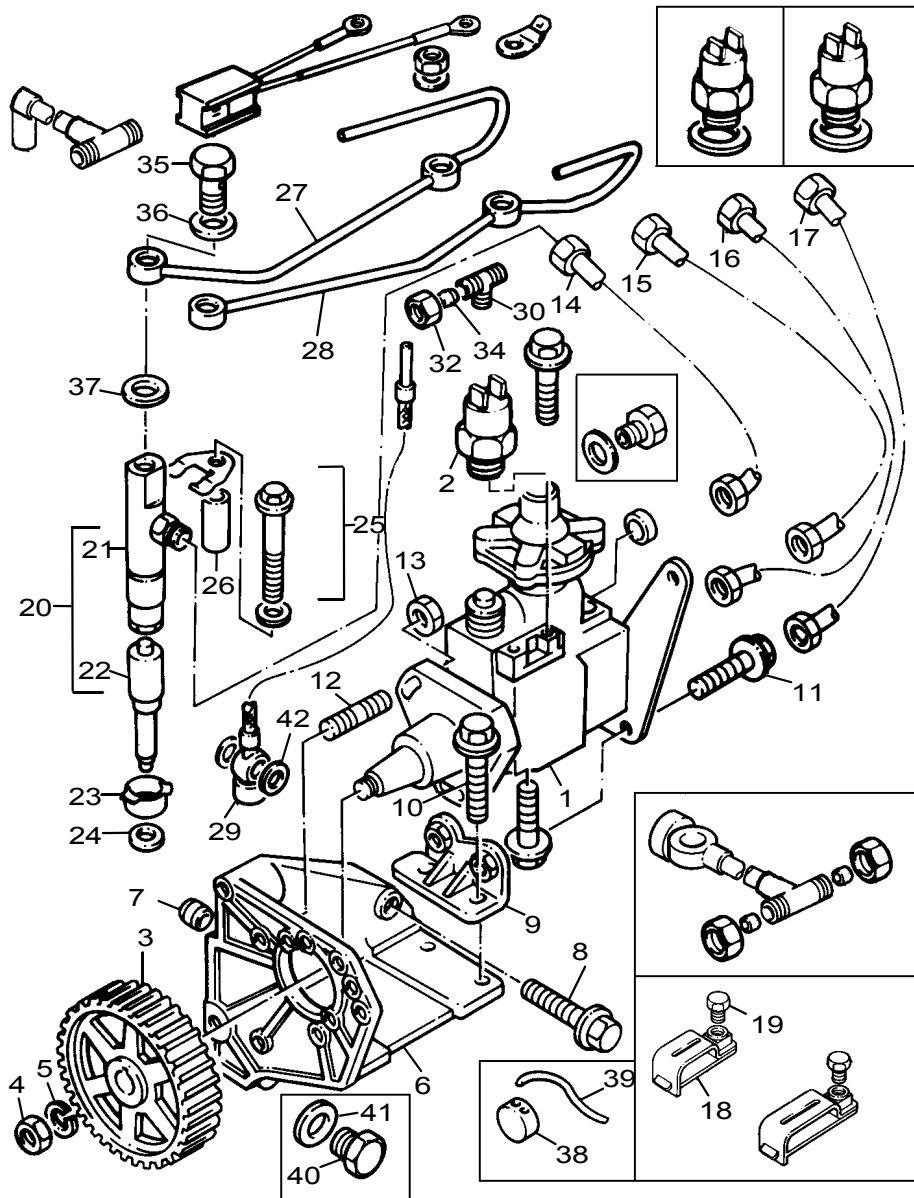
AFHB2029



AFHB2029

Item	Part No.	References	Qty.	Description	Notes
1	2643H052		1	FUEL INJECTION PUMP	(A)
2	└ 26439104		1	SOLENOID	
3	3114X092		1	PULLEY	
4	K318AF01		1	NUT	
5	K134AF01		1	WASHER	
6	L826CF01		1	BRACKET	
7	L312DF02		2	DOWEL	
8	2314J008		4	SCREW	
9	L821EF02	● L821EF01	1	BRACKET	
10	2314H002		2	SCREW	
11	2314H002		2	SCREW	
12	2313C059		3	STUD	
13	2318A603		3	NUT	
14	2646C551	● 2646C159	1	FUEL INJECTION PIPE	NO.1 CYL
15	2646C552	● 2646C160	1	FUEL INJECTION PIPE	NO.2 CYL
16	2646C553	● 2646C151	1	FUEL INJECTION PIPE	NO.3 CYL
17	2646C554	● 2646C162	1	FUEL INJECTION PIPE	NO.4 CYL
18	2646E051	● 2646E001	2	CLIP	(B)
19	2314C035		2	SCREW	(C)
20	2645F008		4	INJECTOR	
21	└ 2645F305		1	HOLDER	
22	└ 2645F607		1	INJECTOR NOZZLE	
23	L811AF01		4	RING	
24	L311FF02		4	INJECTOR WASHER	
25	4141A006		4	CLAMP	
26	3312K019		4	SPACER	
27	3558X041	● 3558X037 ● 3587V002	1	PIPE - LEAK OFF	
28	3558X042	● 3558X036 ● 3587V002	1	PIPE - LEAK OFF	
29	2483A009	● 3584P002	1	FUEL PIPE	
30	0976042		1	TEEPIECE	(D)
31	33225412		3	UNION NUT	(D)
32	33225412		2	UNION NUT	(E)
33	33811112		3	OLIVE	(D)
34	33811112		2	OLIVE	(E)
35	3218R005		4	BANJO BOLT	
36	2411101		4	WASHER	
37	2411101		4	WASHER	
38	2487D002	└ U684953C  a.	1	CAP	
39	2487D102	└ U684953C  a.	1	CAP	
40	2487A016		1	PLUG	(F)
41	2411156		1	WASHER	(F)
42	L311KF01		2	WASHER	
<b>Service Options</b>					
1	2643H052R		1	FUEL INJ PUMP - EXCH	

AFHB2029



<b>Fuel Injection Equipment (Diesel)</b>		<b>Plate M</b>
		<b>AFHB2029</b>

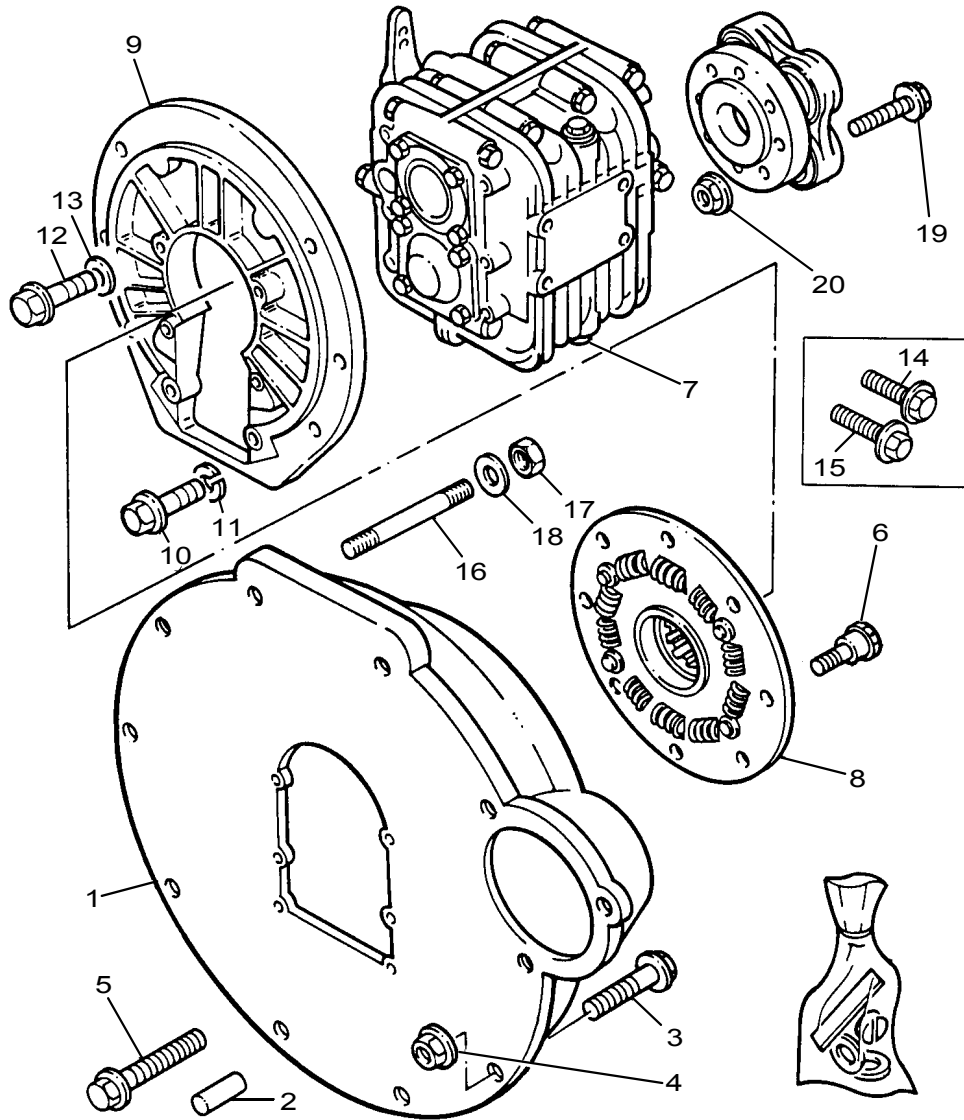
<b>Item</b>	<b>Part No.</b>	<b>References</b>	<b>Qty.</b>	<b>Description</b>	<b>Notes</b>
-------------	-----------------	-------------------	-------------	--------------------	--------------

20	2645F008R		4	INJECTOR - EXCHANGE	
----	-----------	--	---	---------------------	--

<b>History</b>					
a. → U684952C					
38	31718104		2	SEAL	
39	32451152		2	WIRE	

<b>Footnotes</b>	
(A)	FOR BREAKDOWN DETAILS SEE FOLLOWING PAGES
(B)	SECURES 2 FUEL INJECTION PIPES
(C)	USED ONLY WITH 2646E001
(D)	USED ONLY WITH 3584P002
(E)	USED ONLY WITH 2483A009
(F)	COLD START TIMING DEVICE TEMPERATURE SENSOR SWITCH TAPPING BLANKING.

BDHB0469



BDHB0469

Item	Part No.	References	Qty.	Description	Notes
1	3713C082	→ 17/01/1997 ☒ a. ☒ b.	1	FLYWHEEL HOUSING	
2	2114A048		2	DOWEL	
3	2314J010	→ 31/08/93	2	SCREW	
4	2318A604	→ 31/08/93	2	NUT	
5	2314J004	→ 01/09/93 → 17/01/1997 ☒ a.	6	SCREW	
6	3218H007		1	SCREW	
7	2628C005		1	GEARBOX	
8	└ 2628C053		1	PLATE	
9	└ 2628C057	● 2628C056	1	FLANGE	
10	└ 2314C044		2	SETSCREW	
11	└ 2131A008		2	WASHER	
12	└ 2314C044		4	SETSCREW	
13	└ 2134A611		4	WASHER	
14	2314H002	→ 01/09/93 ☒ b.	3	SCREW	(A)
15	2314J002	→ 01/09/93 ☒ b.	1	SCREW	(B)
16	2216711	☒ b.	6	STUD	(C)
17	0576054		6	NUT	
18	0920006		6	WASHER	
19	2314J007	→ 17/01/1997	2	SCREW	
20	2318A604	→ 17/01/1997	2	NUT	

**History****a. → 16/01/1997**

1	3713C081	→ 01/09/93	1	FLYWHEEL HOUSING	
5	2314J004	→ 01/09/93	8	SCREW	

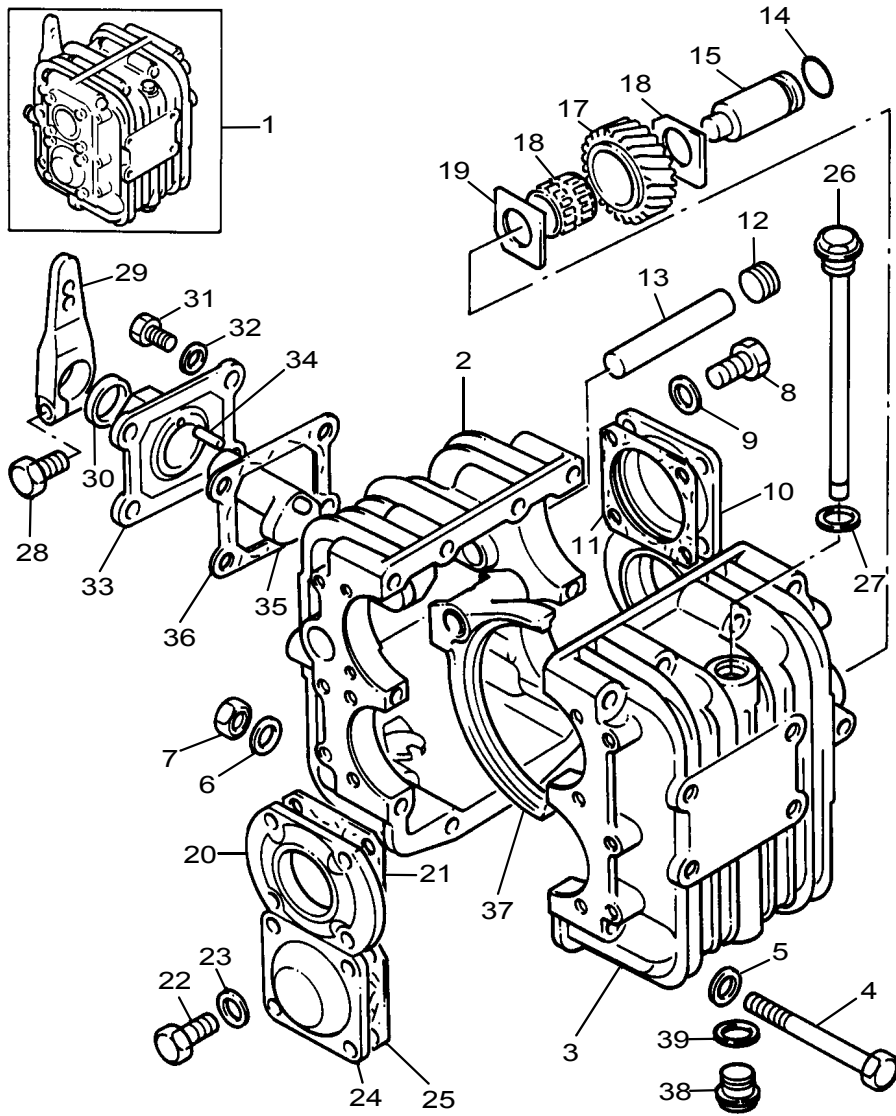
**b. General History Section**

1	3713C053	→ 31/08/93 ● 3713C052 ● 3713C051	1	HOUSING	
14	2314H002	→ 31/08/93	2	SCREW	(A)
15	2314J002	→ 31/08/93	2	SCREW	(B)
16	2215761 └ 2734A054	● 2734A052	6 X	STUD KIT	(D)

**Footnotes**

(A)	ALSO SECURES INDUCTION HOSE SUPPORT BRACKET
(B)	ALSO SECURES AIR FILTER SUPPORT BRACKET
(C)	USED ONLY WITH 3713C052
(D)	USED ONLY WITH 3713C051

BDHB0469

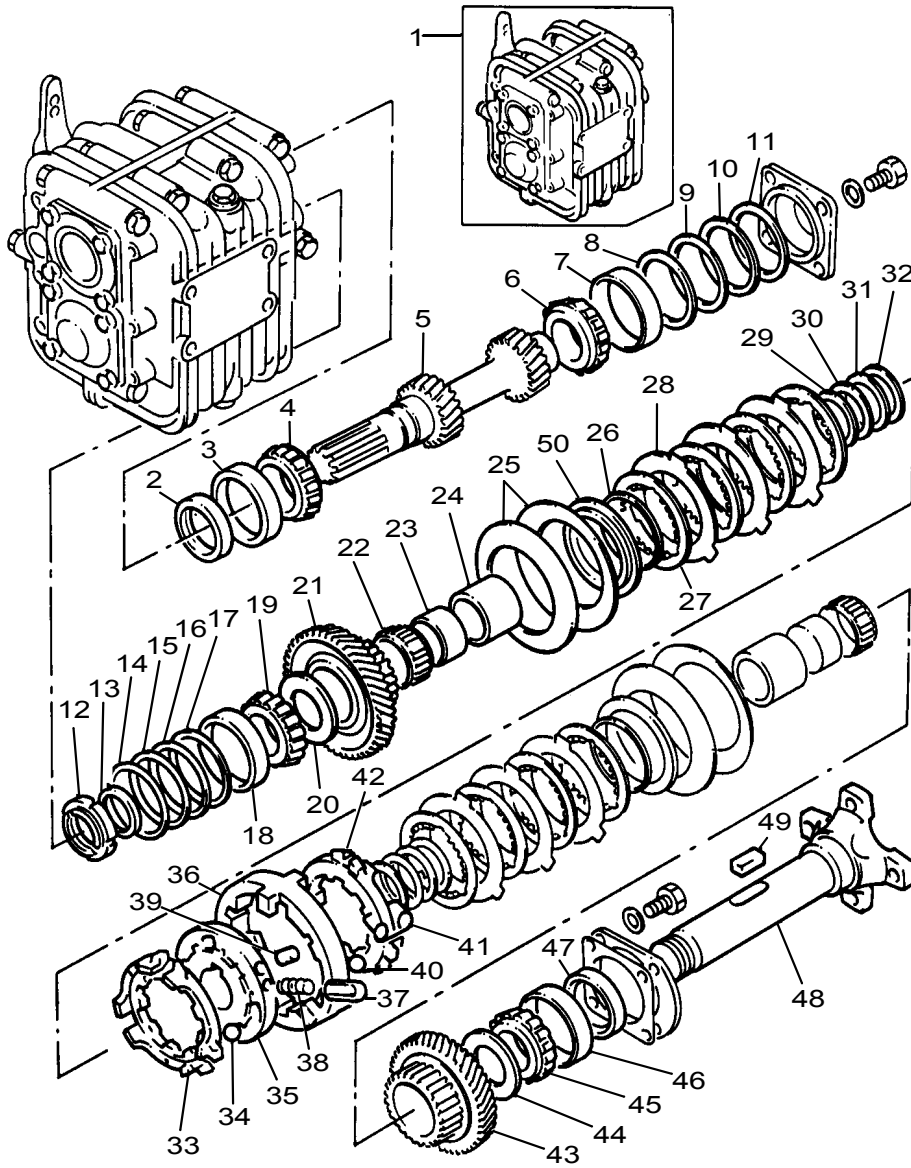















BDHB0469

Item	Part No.	References	Qty.	Description	Notes
1		↔ BDHB-B	1	GEARBOX	
2	—	⇒ REF.1	1	CASE	
3	—	⇒ REF.1	1	CASE	
4	—26278018		10	SETSCREW	
5	—26278004		10	WASHER	
6	—26278004		10	WASHER	
7	—26278019		8	NUT	
8	—26278005		4	SETSCREW	
9	—26278019		4	NUT	
10	—26278003		1	COVER	
11	—26278025		1	GASKET	
12	—26278014		1	PLUG	
13	—26278013		1	SHAFT	
14	—26278020		1	SEAL - O RING	
15	—26278021		1	SHAFT	
16	—26278022		1	PLATE	
17	—26278023		1	GEAR,GEARBOX	
18	—26278024		1	CAGE	
19	—26278022		1	PLATE	
20	—26278002		1	SHIELD	
21	—26278025		1	GASKET	
22	—26278005		8	SETSCREW	
23	—26278004		8	WASHER	
24	—26278003		1	COVER	
25	—26278025		1	GASKET	
26	—26278016		2	DIPSTICK	
27	—26278015		2	SEAL - O RING	
28	—26278007		1	SETSCREW	
29	—26278006		1	LEVER	
30	—26278008		1	SEAL	
31	—26278005		4	SETSCREW	
32	—26278004		4	WASHER	
33	—26278009		1	PLATE	
34	—26278010		1	PIN	
35	—26278011		1	CAM	
36	—26278026		1	GASKET	
37	—26278012		1	FORK	
38	—26278017		1	PLUG	
39	—26278015		1	SEAL - O RING	

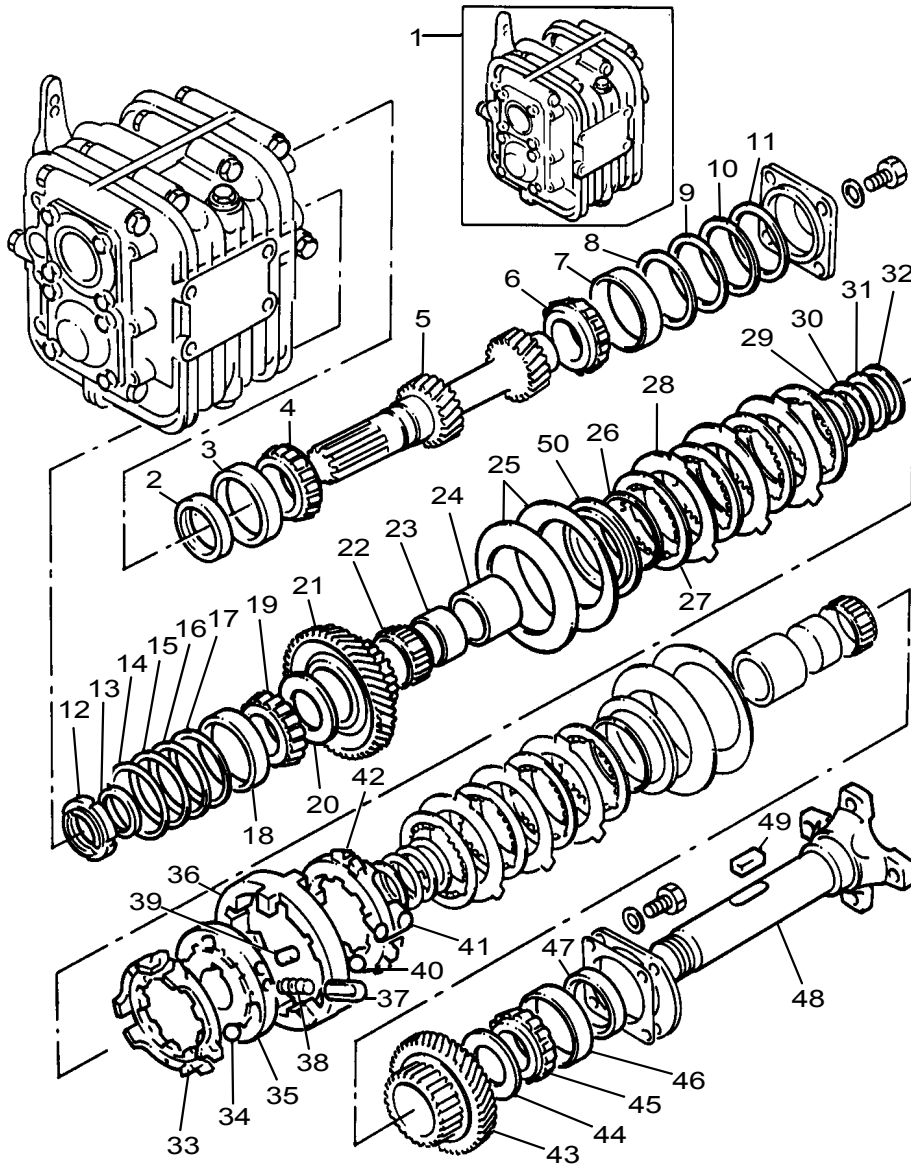
BDHB0469



BDHB0469

Item	Part No.	References	Qty.	Description	Notes
1		 BDHB-B	1	GEARBOX	
2	—26278027		1	SEAL - SHAFT	
3	—26278029		1	ROLLER BEARING	
4	—26278030		1	ROLLER BEARING	
5	—26278032	 22/22	1	SHAFT	
6	—26278030		1	ROLLER BEARING	
7	—26278029		1	ROLLER BEARING	
8	—26278034		1	SHIM	
9	—26278035		1	SHIM	
10	—26278036		1	SHIM	
11	—26278037		1	SHIM	
12	—26278038		1	NUT	
13	—26278039		2	SPACER	
14	—26278034		1	SHIM	
15	—26278035		1	SHIM	
16	—26278036		1	SHIM	
17	—26278037		1	SHIM	
18	—26278029		1	ROLLER BEARING	
19	—26278030		1	ROLLER BEARING	
20	—26278197	 26278040	1	RING	
21	—26278042	 47	1	GEAR,GEARBOX	
22	—26278044		2	NEEDLE BEARING	
23	—26278045		2	NEEDLE BEARING	
24	—26278046		2	SPACER	
25	—26278196	 26278047	4	CUP	
26	—26278049		1	CIRCLIP	
27	—26278050		8	CLUTCH PLATE	
28	—26278051		6	CLUTCH PLATE	
29	—26278052	 0.4MM	2	SHIM	
30	—26278053	 0.5MM	2	SHIM	
31	—26278054	 0.6MM	2	SHIM	
32	—26278055	 0.7MM	2	SHIM	
33	—26278056		2	CARRIER	
34	—26278057		3	BALL	
35	—26278058		1	SLEEVE	
36	—26278059		1	SLEEVE	
37	—26278061		3	PIN	
38	—26278060		3	SPRING	
39	—26278062		3	PIN	
40	—26278027		3	SEAL - SHAFT	
41	—26278063		3	SPRING	
42	—26278056		1	CARRIER	
43	—26278064	 43	1	GEAR,GEARBOX	
44	—26278197	 26278040	1	RING	
45	—26278030		1	ROLLER BEARING	
46	—26278029		1	ROLLER BEARING	
47	—26278028		1	SEAL - SHAFT	
48	—26278065		1	SHAFT	

BDHB0469

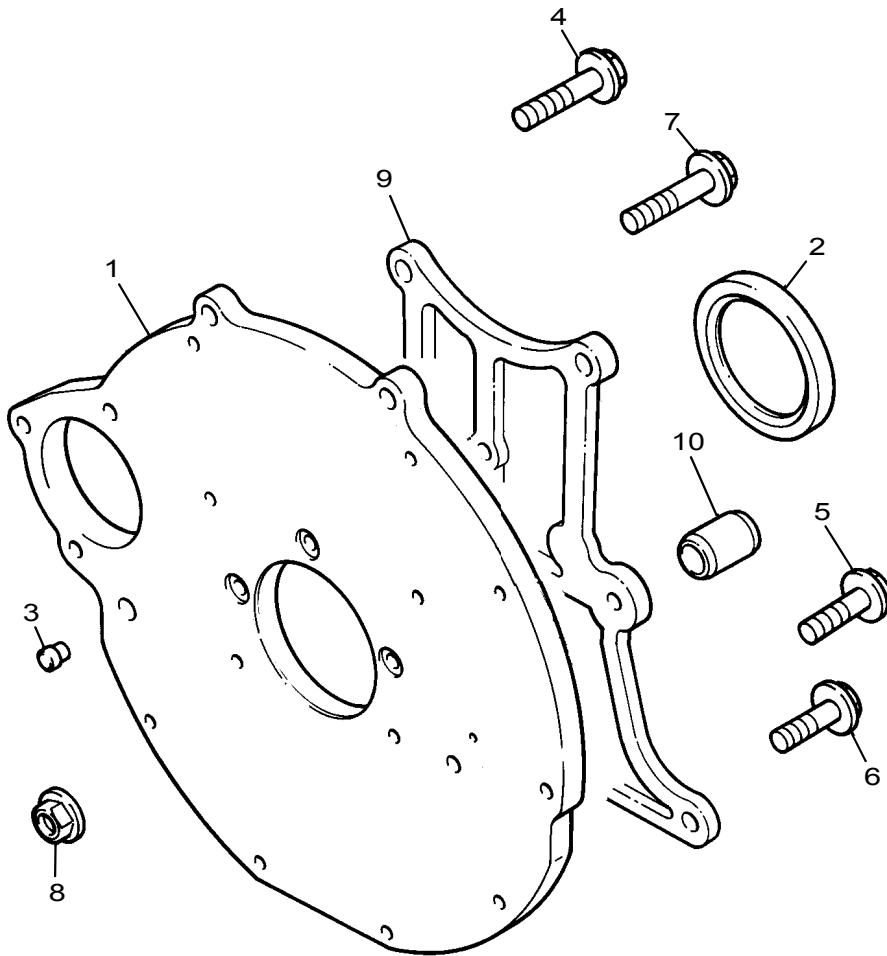


<b>PTO Clutch &amp; Gearbox</b>	<b>Plate D</b>
	<b>BDHB0469</b>

Item	Part No.	References	Qty.	Description	Notes
49	└ 26278066		1	KEY	
50	26278048		2	RING	

→ 31/08/93

CDHB0715



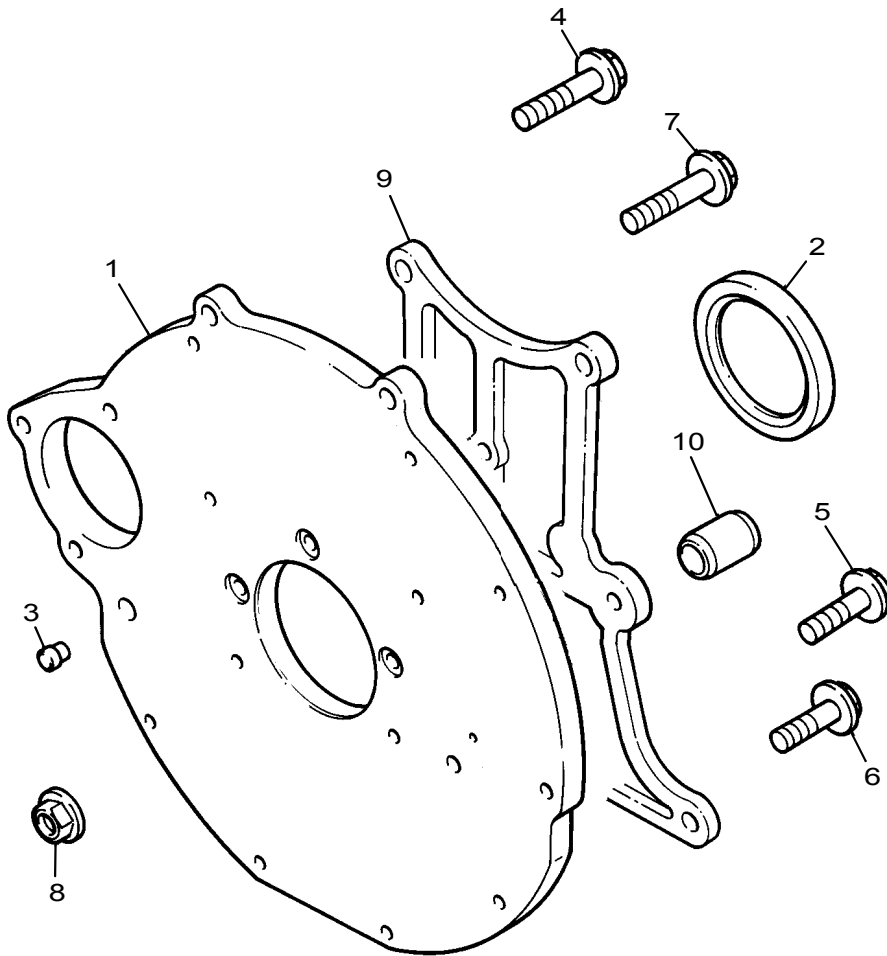
→ 31/08/93

CDHB0715

Item	Part No.	References	Qty.	Description	Notes
1	3714X012		1	PLATE	
2	K418FF01		1	SEAL - REAR END OIL	
3	L2712F02		2	DOWEL	
4	2314J003		5	SCREW	
5	2314H003		3	SCREW	
6	2314W402		2	SCREW	
7	2314J612		1	SCREW	
8	2318A605		1	NUT	
9	L681TF02	● L681TF01	1	GASKET	

→ 01/09/93

CDHB0850



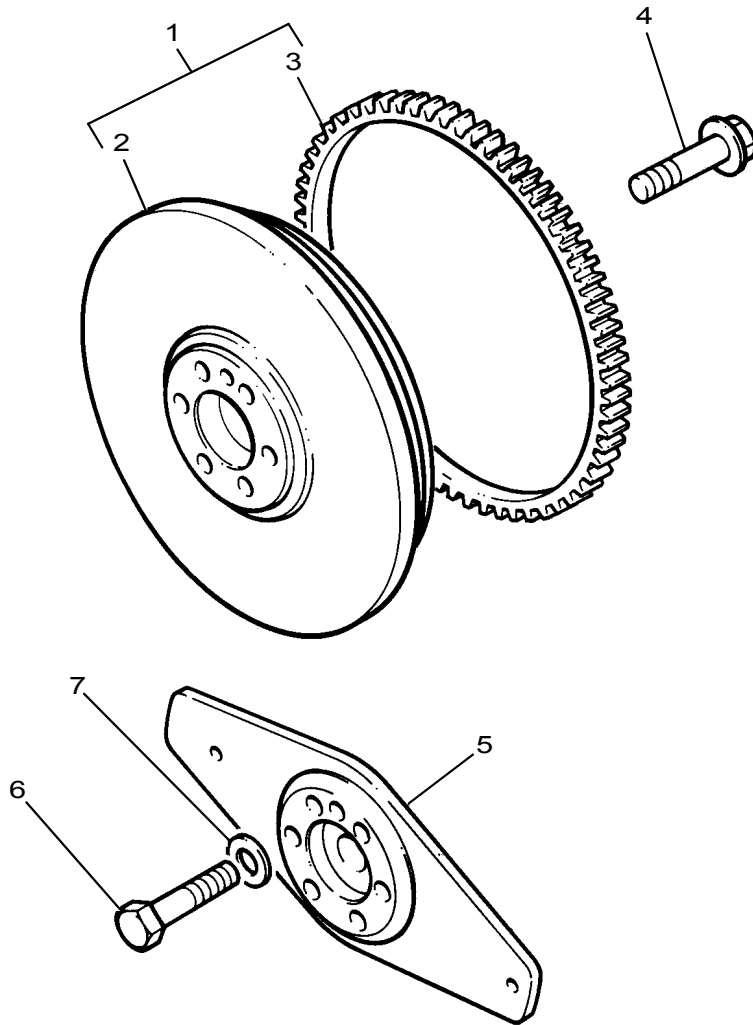


↳ 01/09/93

CDHB0850

Item	Part No.	References	Qty.	Description	Notes
1	3714X014		1	PLATE	
2	K418FF01		1	SEAL - REAR END OIL	
3	L2712F02		2	DOWEL	
4	2314J003		5	SCREW	
5	2314H003		3	SCREW	
6	2314W402		2	SCREW	
7	2314J612		1	SCREW	
8	2318A605		1	NUT	
9	L681TF02		1	GASKET	

DDHB0780



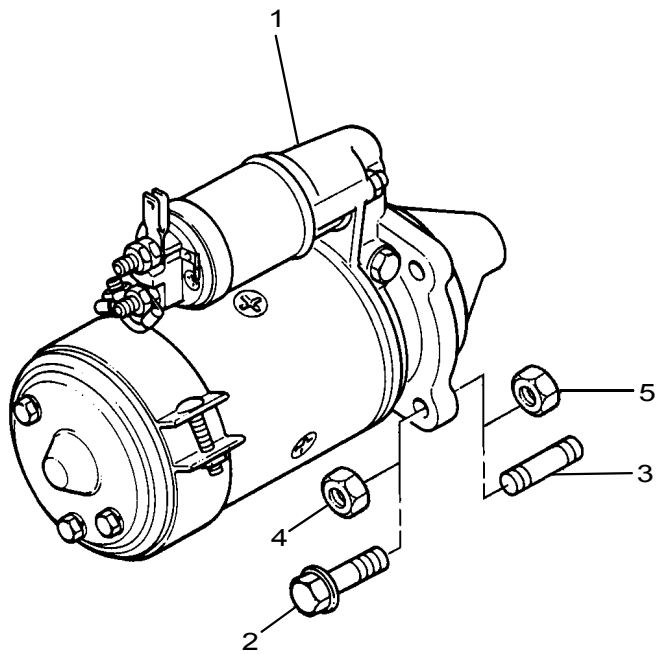
**Flywheel & Starter Ring**

**Plate A**

**DDHB0780**

Item	Part No.	References	Qty.	Description	Notes
1	4111D115	●○ 4111D085	1	FLYWHEEL	
2	└	⇒ REF.1	1	FLYWHEEL	
3	└ 31161153		1	STARTER RING GEAR	
4	L2186F01		6	SCREW	

EDHB0596

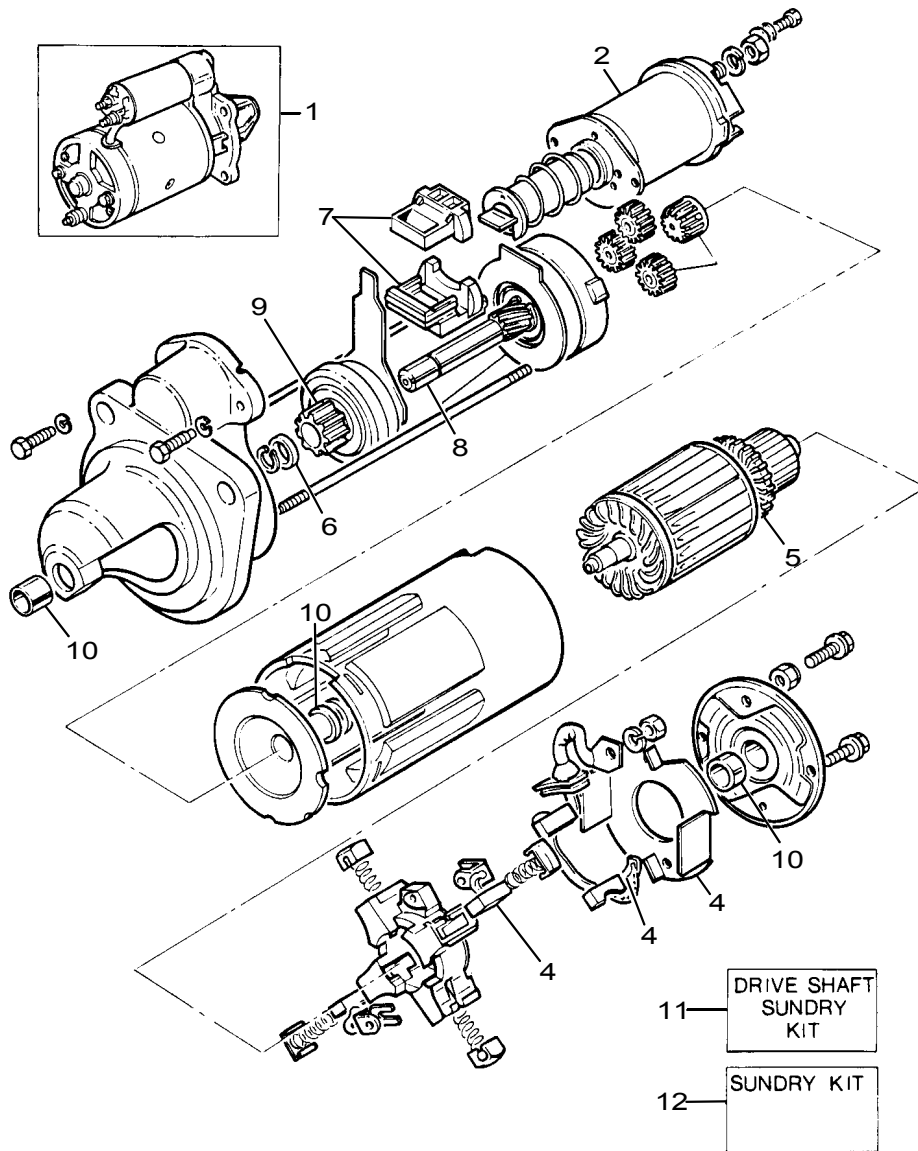


<b>Starter Motor</b>	<b>Plate A</b>
<b>EDHB0596</b>	

Item	Part No.	References	Qty.	Description	Notes
1	2873B059	↻	1	STARTER MOTOR	(A)
2	2314J006		3	SCREW	
<b>Service Options</b>					
1	2873B059R		1	STARTER MOTOR - EXCHANGE	

<b>Footnotes</b>	
(A)	FOR BREAKDOWN DETAILS SEE FOLLOWING PAGES

EDHB0596

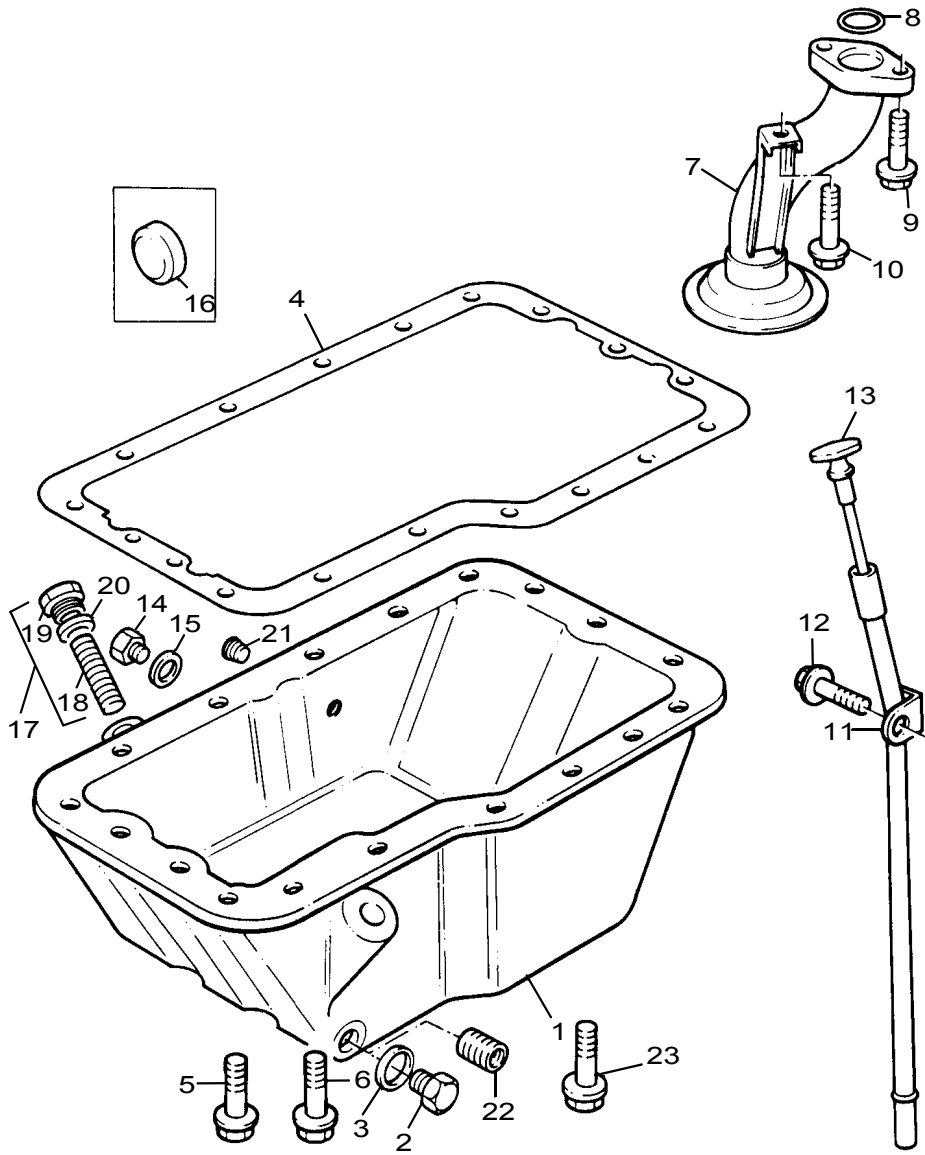


<b>Starter Motor</b>	<b>Plate D</b>
	<b>EDHB0596</b>

Item	Part No.	References	Qty.	Description	Notes
1	2873B059	↻	1	STARTER MOTOR	
2	—28710354		1	SOLENOID	
3	—28730471		1	BRUSH KIT	
4	—└	⇒ REF.3	1	BRUSH KIT	
5	—28730243		1	ARMATURE	
6	—28730244		1	RETAINER	
7	—28730245		1	PIVOT	
8	—28730246		1	BRACKET KIT	
9	—28730247		1	DRIVE	
10	—28730248		1	BUSH	
11	—28730249		1	DRIVE KIT	
12	—28730400		1	SUNDRY KIT	
<b>Service Options</b>					
1	2873B059R		1	STARTER MOTOR - EXCHANGE	

● GBHB1370 ● GBHB1320

GBHB1533





● GBHB1370 ● GBHB1320

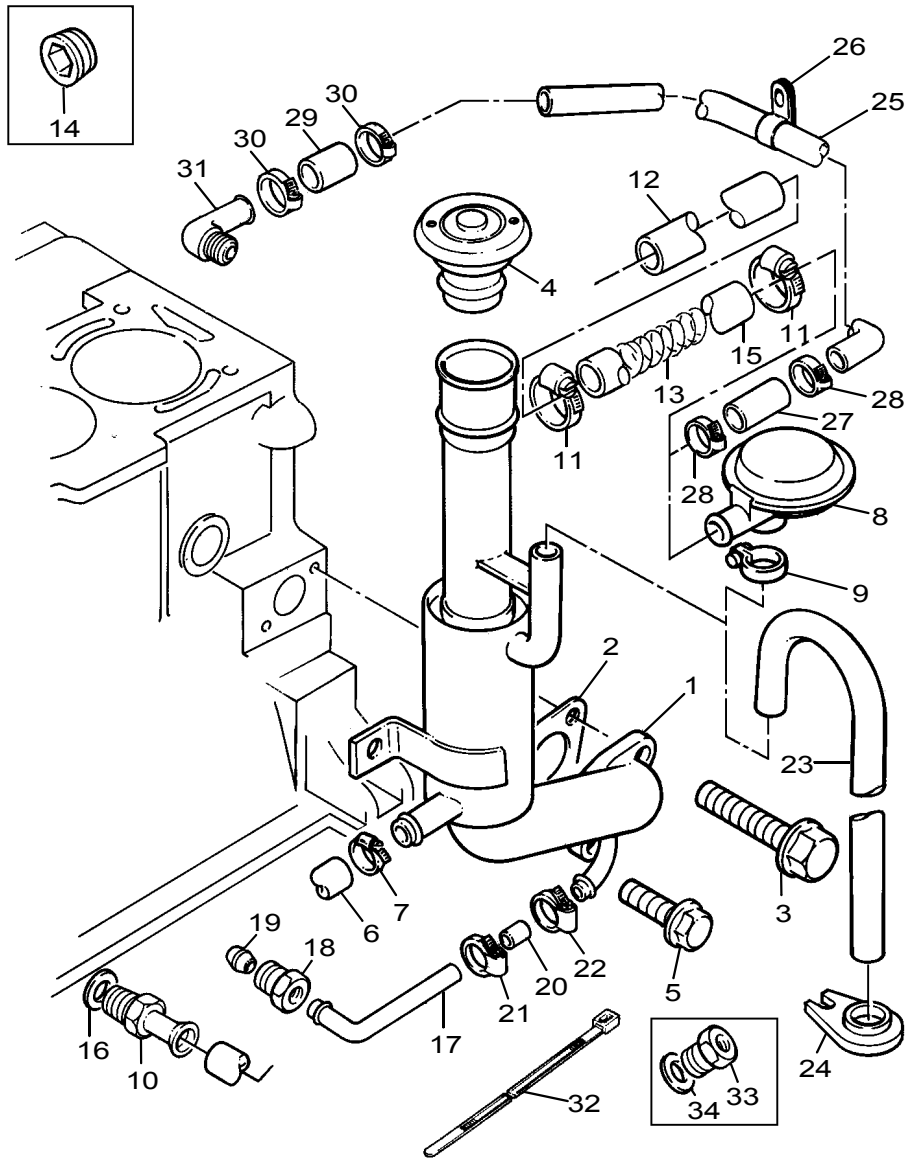
GBHB1533

Item	Part No.	References	Qty.	Description	Notes
1	4145H038		1	SUMP	
20	└ 0920130		1	WASHER	
22	└ 2137807		1	INSERT	
2	L2243F02		1	PLUG	
3	0920154		1	WASHER	
4	L681KF06		1	GASKET - SUMP	
5	2314F005		16	SCREW	
6	2314F007		1	SCREW	
7	3575H025		1	OIL PIPE	
8	K415EF02		1	SEAL - O RING	
9	2314F005		2	SCREW	
10	2314F002		1	SCREW	
11	L577AF01		1	TUBE	
12	2314H002		1	SCREW	
13	3178E012		1	DIPSTICK	
14	L2264F02		1	PLUG	
15	0920153		1	WASHER	
16	2485A011		1	PLUG	
21	2421214		1	PLUG	(A)
23	2314F008		1	SCREW	

## Footnotes

(A) FITTED UP TO 88/09.

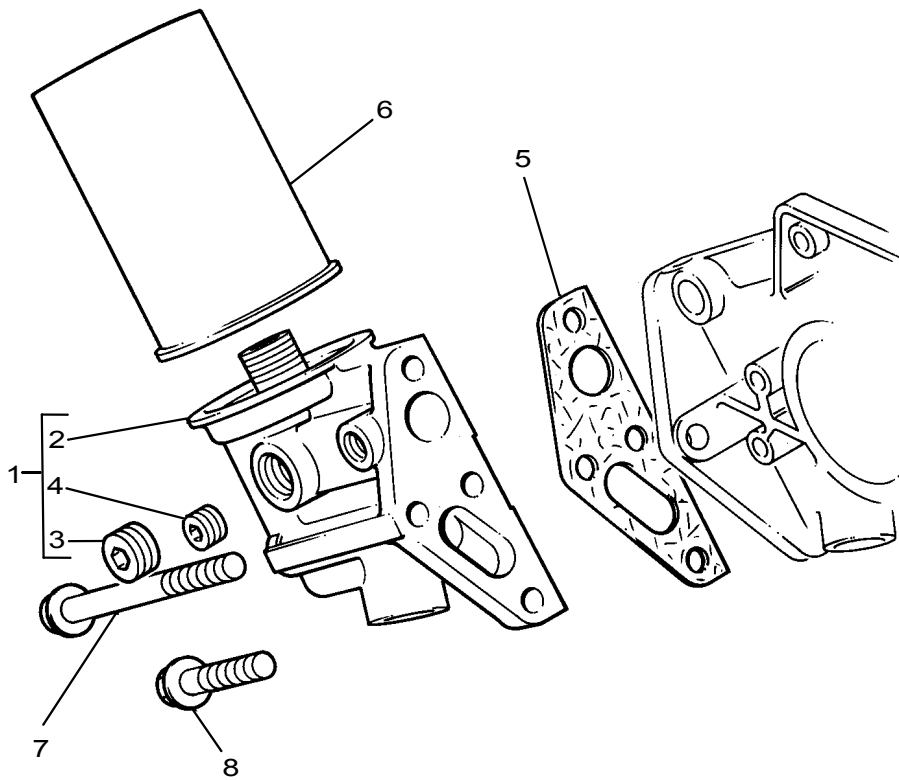
HBHB1376



HBHB1376

Item	Part No.	References	Qty.	Description	Notes
1	L578HF06	→ 88/09 ● L578HF02	1	FILLER	
1	L578HF05	→ 88/09 ● L578HF04	1	FILLER	
2	L683HF01		1	GASKET - OIL FILLER	
3	2311D058		2	SCREW	
4	K487BF02		1	CAP	
5	2314H001	● 2314H004	1	SCREW	
6	L482VF02		1	HOSE	
7	2481882	● 2481883	2	CLIP	
8	2652851		1	BREATHER VALVE	
9	2481845		1	CLIP	
10	3355A004		1	CONNECTION	
11	2481882	● 2481883	2	CLIP	
12	33872516		1	PIPE - BREATHER	
13	31754118		1	SPRING	
14	2431A054		1	PLUG	
17	3427C003	→ 88/09	1	WATER PIPE	
18	3353D006	→ 88/09	1	NUT	
19	0566007	→ 88/09	1	OLIVE	
20	33845415	→ 88/09 ● 33845414	1	HOSE	
21	2481882	● 2481883	1	CLIP	
22	2481882	● 2481883	1	CLIP	

JBHB0989



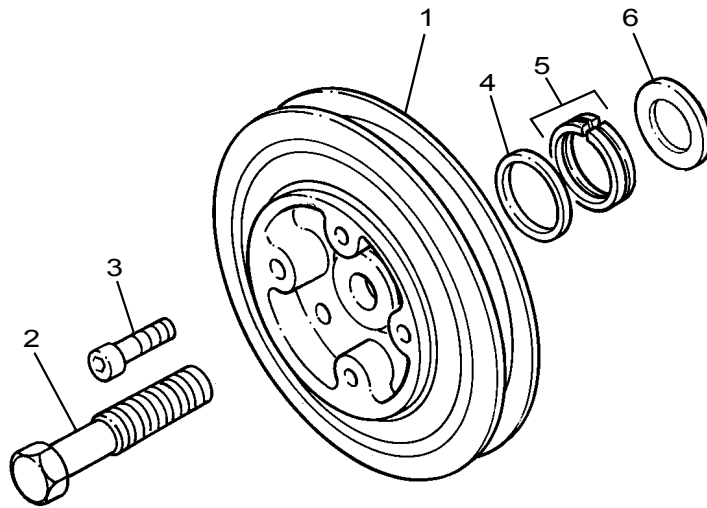
JBHB0989

Item	Part No.	References	Qty.	Description	Notes
1	M134EF04	→ U517580S ●○ M134EF01	1	OIL FILTER HEAD	
1	M134EF04	→ U517581S	1	OIL FILTER HEAD	
2		⇒ REF.1	1	HEAD	
3	—2431A054		1	PLUG	
4	—2431131		1	PLUG	
5	L687MF08	→ U517580S	1	GASKET	(A)
5	3687W005	→ U517581S	1	GASKET - OIL FILTER HEAD	(B)
6	2654409		1	OIL FILTER	
7	2314H019		3	SCREW	
8	2314H004		1	SCREW	

**Footnotes**

(A)	USED ONLY WITH M134EF01
(B)	USED ONLY WITH M134EF04

KBHB0564



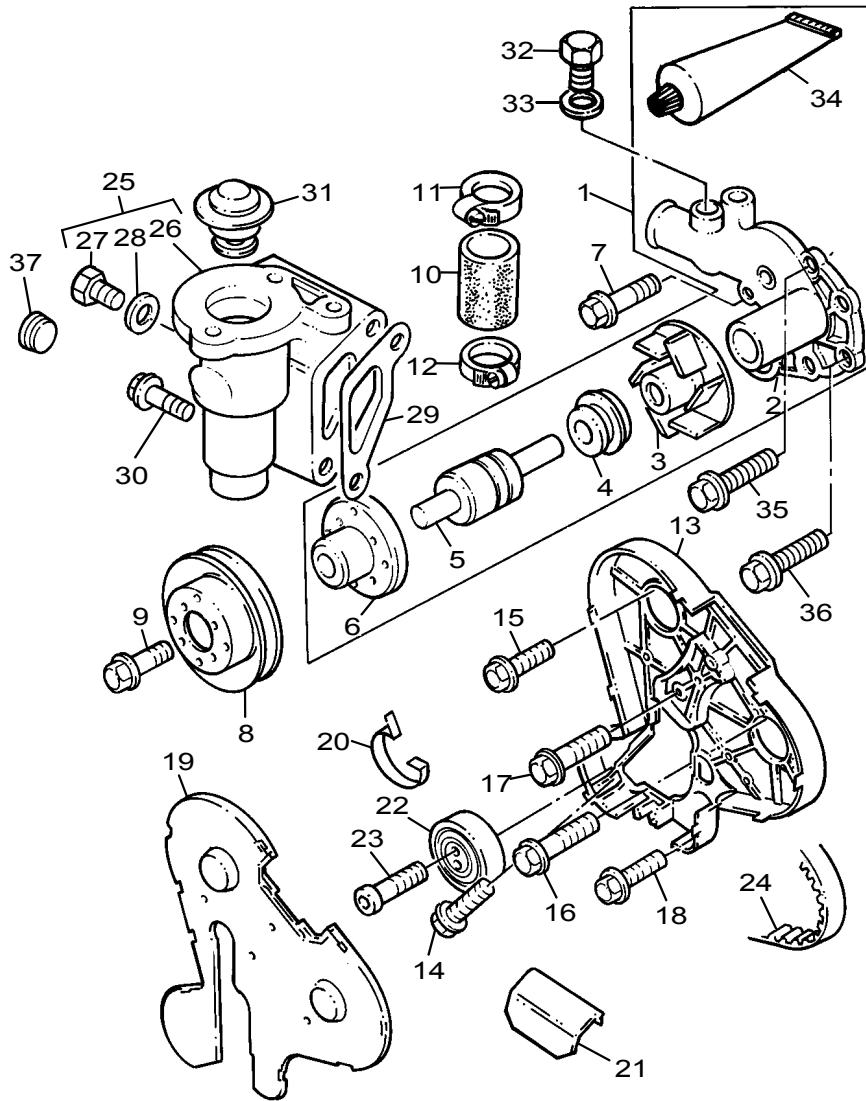
KBHB0564

Item	Part No.	References	Qty.	Description	Notes
1	3114C901		1	CRANKSHAFT PULLEY	(A)
1	3114C906		1	CRANKSHAFT PULLEY	(B)
2	L218DF01		1	SCREW	
3	2311D040		4	SCREW	(C)
3	2311D060		4	SCREW	(D)
4	3311T001		1	SPACER	(C)
5	2417A001		1	LOCKING PLATE	(C)

**Footnotes**

(A)	USED ONLY WITH ZZ90126/M113AF01
(B)	USED ONLY WITH ZZ90161/M113AF02
(C)	USED ONLY WITH 3114C901
(D)	USED ONLY WITH 3114C906

LBHB1382

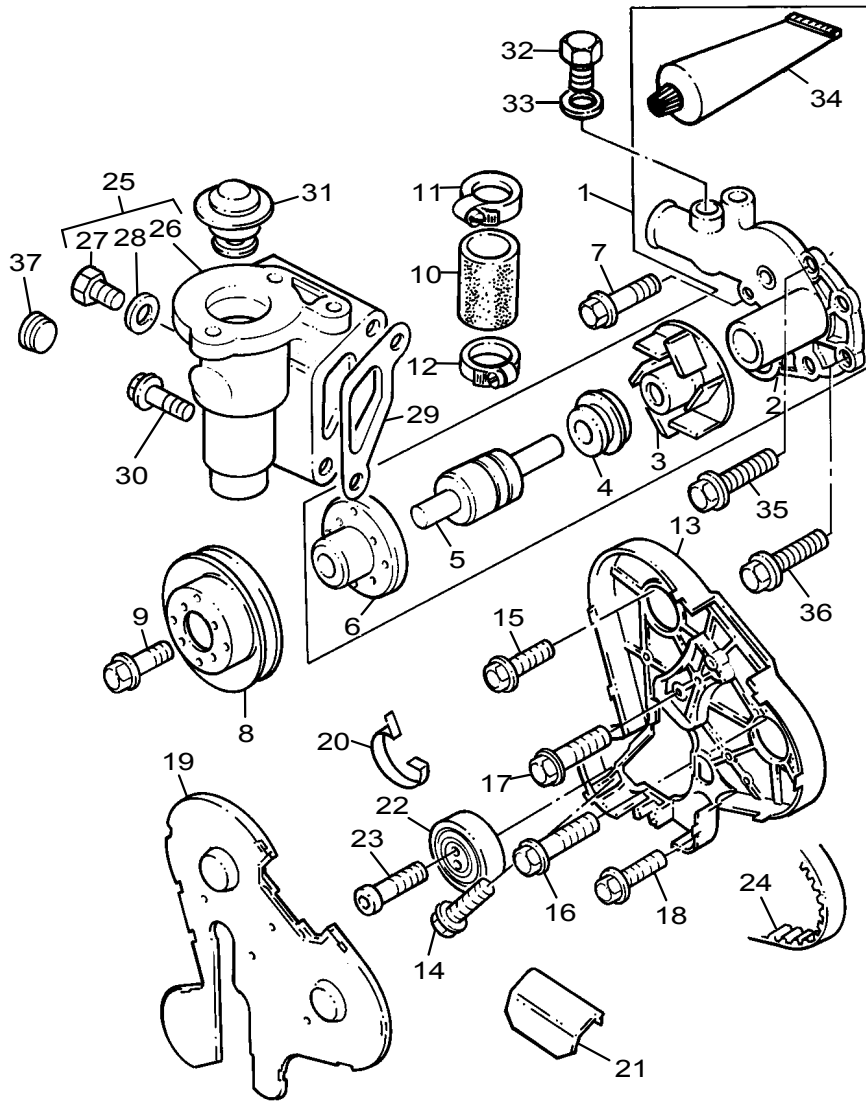




LBHB1382

Item	Part No.	References	Qty.	Description	Notes
1	U5MW0067	→ U522016S	1	WATER PUMP	(A,B)
1	U5MW0084	↳ U522017S ● U5MW0081 ● U5MW0076 ↻	1	WATER PUMP	(A)
2	├──	⇒ REF.1	1	BODY	
3	├──	⇒ REF.1	1	IMPELLER	
4	├──	⇒ REF.1	1	SEAL	
5	├──	⇒ REF.1	1	BEARING	
6	├──	⇒ REF.1	1	HUB	
34	└─┬─ 21825185		1	LOCTITE	
7	2314H034	● 2314H033	1	SCREW	(C)
8	L113MF02		1	WATER PUMP PULLEY	
9	2314F001		4	SCREW	
10	L383CF01		1	HOSE	
11	2481886	● 2481885	1	CLIP	
12	2481886	● 2481885	1	CLIP	
13	L781LF11	→ 87/06/--	1	BODY	
13	M142KF04	↳ 87/06/-- ● M142KF02 ● L781LF21	1	BODY	
14	2314F064	● 2314F063	1	SCREW	2314F033
15	2314H062	● 2314H032	1	SCREW	(D)
15	2314F064		1	SCREW	(E)
16	2314E035	● 2314E066	1	SCREW	
17	2314F064	● 2314F034	3	SCREW	
18	2314F064	● 2314F034	3	SCREW	
19	L781LF12	→ 87/06/--	1	TIMINGBELT COVER	
19	L781LF22	↳ 87/06/--	1	TIMINGBELT COVER	
20	K138AF01	→ 87/06/--	14	CLIP	
20	K138AF01	↳ 87/06/--	12	CLIP	
21	L781DF03	→ 87/06/--	1	TIMINGBELT COVER	
21	L781DF05	↳ 87/06/--	1	TIMINGBELT COVER	
22	K522DF08	● K522DF05	1	TENSIONER	
23	2311D080		1	SCREW	
24	K614CF03		1	TIMING BELT	
25	4133L007	● 4133L004 ● M133LF05	1	THERMOSTAT HOUSING	
26	├──	⇒ REF.25	1	HOUSING	
27	├──┬─ L2264F02		1	PLUG	(F)
28	└─┬─ 0920153		1	WASHER	(F)
29	L687MF13		1	GASKET - THERMOSTAT HSG	(G)
29	3687M014		1	GASKET - THERMOSTAT HSG	(F)
30	2314H015		2	SCREW	
31	2485613		1	THERMOSTAT	
32	L2264F02		1	PLUG	
33	0920153		1	WASHER	
35	2314J007	● 2314J207	1	SCREW	(C)
36	2314J003	● 2314J203	4	SCREW	(C)
37	2421214		1	PLUG	(H)

LBHB1382



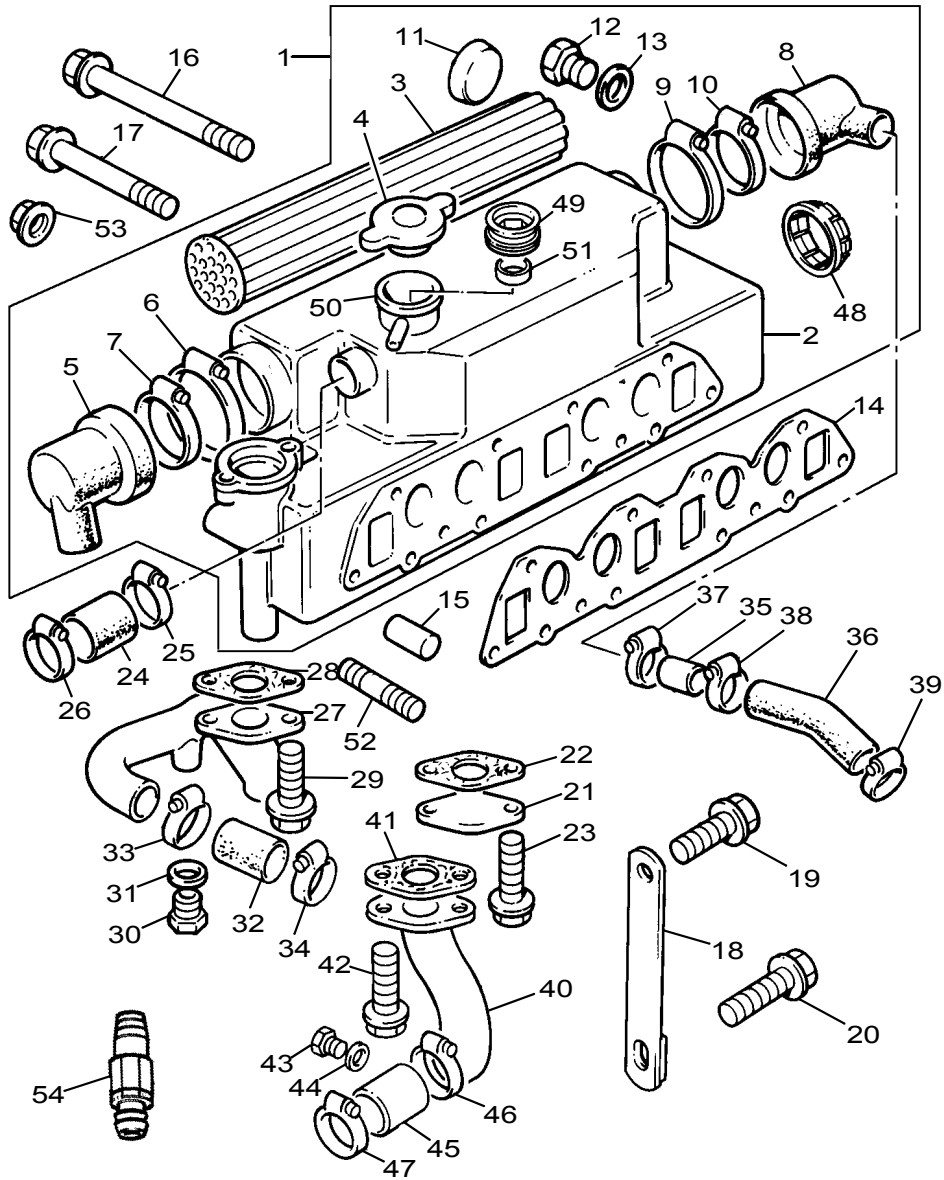
<b>Water Pump, Thermostat &amp; Heat Exchanger</b>	<b>Plate E</b>
	<b>LBHB1382</b>

Item	Part No.	References	Qty.	Description	Notes
------	----------	------------	------	-------------	-------

<b>Service Options</b>					
1	U5MW0084R		1	WATER PUMP - EXCHANGE	

<b>Footnotes</b>	
(A)	ALSO INCLUDES TUBE OF LOCTITE
(B)	NO LONGER SERVICED. USE U5MW0084
(C)	6 OFF WHEN USED WITH U5MW0067.
(D)	USED ONLY WITH M142KF02.
(E)	USED ONLY WITH M142KF04.
(F)	USED ONLY WITH 4133L004
(G)	USED ONLY WITH M133LF05
(H)	USED ONLY WITH 4133L007

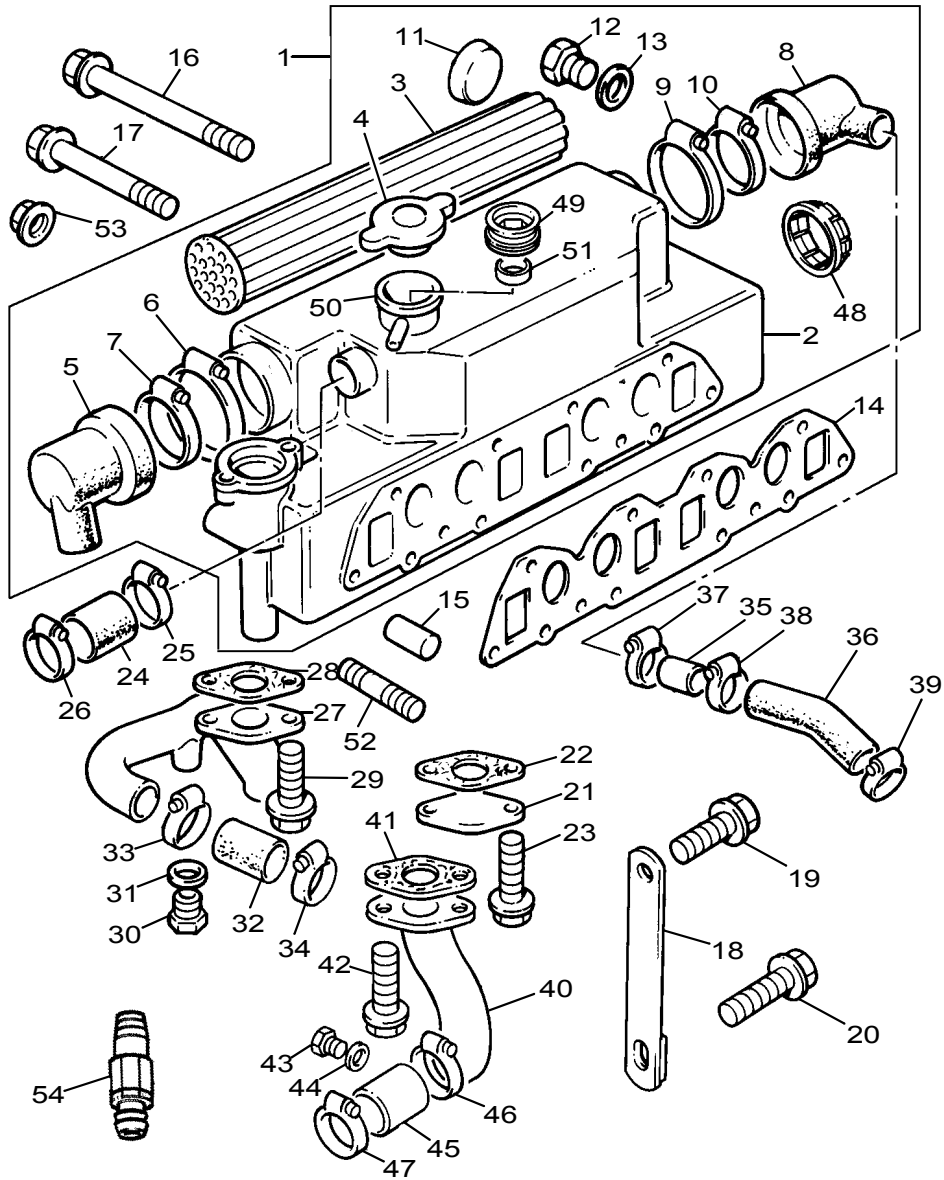
LBHB1382



LBHB1382

Item	Part No.	References	Qty.	Description	Notes
1	4133Y022	●○ 4133Y017 ●○ 4133Y007 ●○ 4133Y006	1	EXCHANGER	
2	├──	⇒ REF.1	1	HOUSING	
11	├──┬ 0650563		4	PLUG	
3	├──2486H904		1	TUBE	(A,B)
3	├──2486A966		1	TUBE	(C,D)
4	├──2486H905		1	CAP	(B)
4	├──2487B401		1	CAP	(C,D)
5	├──2486H903		1	COVER	(B)
5	├──2486A967		1	ELBOW	(C,D)
6	├──2481890		1	HOSE CLIP	(B)
6	├──2481891		1	CLIP	(C,D)
7	├──2481890		1	HOSE CLIP	
8	├──2486H903		1	COVER	(B)
8	├──2486A967		1	ELBOW	(C,D)
9	├──2481890		1	HOSE CLIP	(B)
9	├──2481891		1	CLIP	(C,D)
10	├──2481890		1	HOSE CLIP	
12	├──L2243F02		1	PLUG	(B)
12	├──L2243F02		2	PLUG	(C,D)
13	├──0920154		1	WASHER	(B)
13	├──0920154		2	WASHER	(C,D)
48	├──3381R001		1	SLEEVE	(B)
48	├──3381R003		1	SLEEVE	(C,D)
49	├──2487B405		1	ADAPTOR	(C,D)
50	├──2486H902		1	FILLER	(B)
50	├──2487B404		1	RIM	(C,D)
51	├──2486H901		1	INSERT	(B)
14	L681VF02		1	GASKET - IND MANIFOLD	
15	3211C001		2	PIN	(E)
16	2314H023		4	SCREW	
17	2314H025		4	SCREW	
18	3753H009		1	STAY	
19	2314H003		1	SCREW	
20	2314H003		1	SCREW	
21	3617A002		1	PLATE	
22	3683L003		1	GASKET	
23	2314H003		2	SCREW	
24	33853121		1	HOSE	
25	21825198	●○ 2481887	1	CLIP	
26	21825198	●○ 2481887	1	CLIP	
27	3765H031	●○ 3775U031	1	WATER PIPE	
28	3683L003		1	GASKET	
29	2314H004		2	SCREW	
30	L2264F02		1	PLUG	
31	0920153		1	WASHER	
32	33853113		1	HOSE	
33	21825198	●○ 2481887	1	CLIP	

LBHB1382



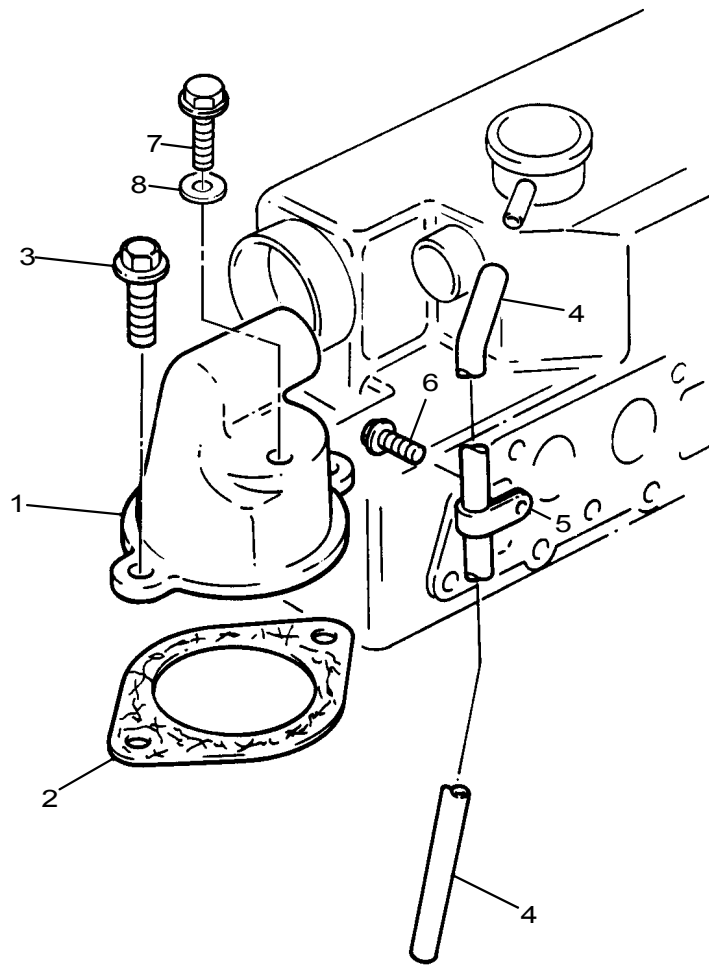
LBHB1382

Item	Part No.	References	Qty.	Description	Notes
34	21825198	●○ 2481889 ●○ 2481887 ●○ 2481889	1	CLIP	
35	3348N003		1	WATER PIPE	
36	3482T005		1	HOSE	
37	2481886		1	CLIP	
38	2481886		1	CLIP	
39	2481886		1	CLIP	
52	2313H242	●○ 2313H241	2	STUD	
53	2318A603		2	NUT	

**Footnotes**

(A)	WAS 3781A006 - USE 2486H904/3381R001
(B)	USED ONLY WITH 4133Y007
(C)	USED ONLY WITH 4133Y017
(D)	USED ONLY WITH 4133Y022
(E)	NO LONGER REQUIRED-USE 2313H241.(2).AND 2318A603.(2).

LDHB0459

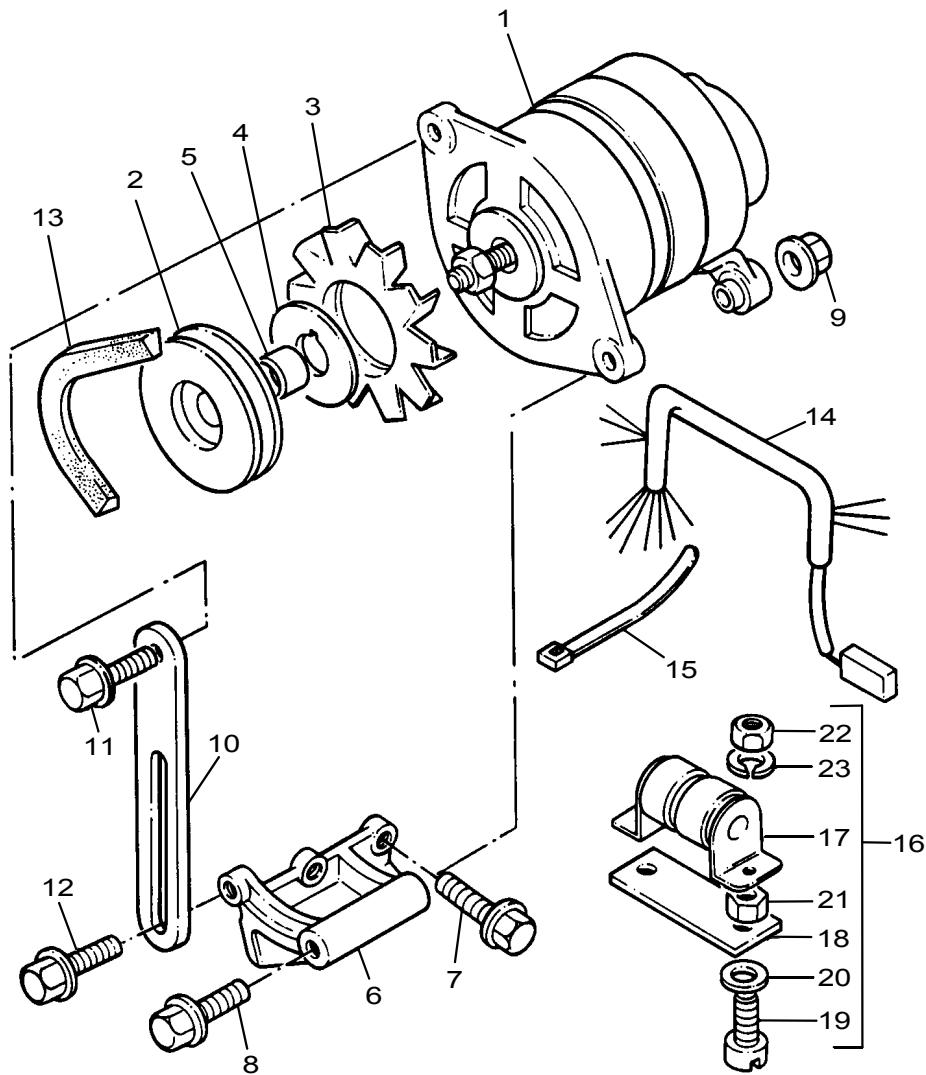




LDHB0459

Item	Part No.	References	Qty.	Description	Notes
1	3765N032		1	CONNECTION	
2	L683NF02		1	GASKET - WATER OUTLET	
3	2314H004		2	SCREW	
4	3386C002		1	WATER PIPE	
5	36568143		1	PIPE CLIP	
6	2314H002		1	SCREW	
7	L2243F02		1	PLUG	
8	0920154		1	WASHER	

NDHB1723



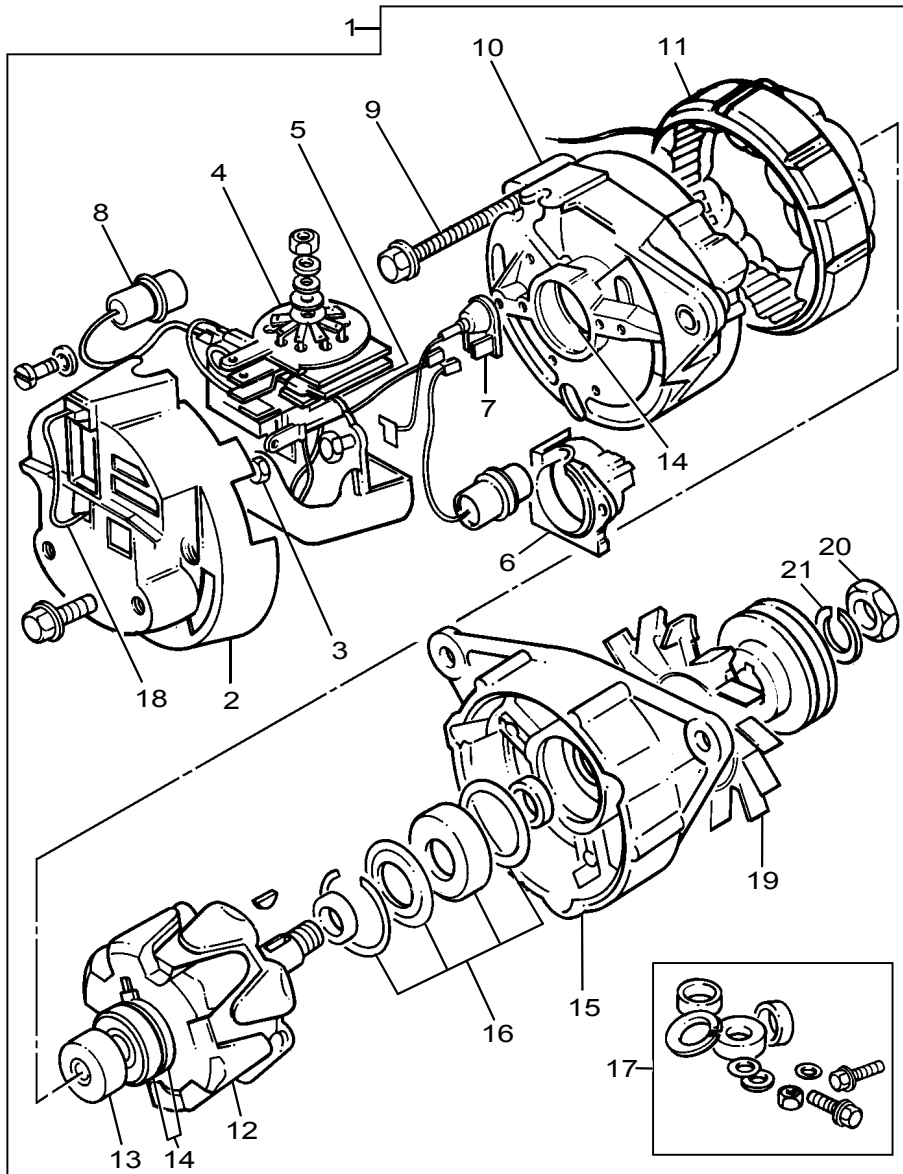
NDHB1723

Item	Part No.	References	Qty.	Description	Notes
1	2871A145		1	ALTERNATOR	
2	└2871W005		1	ALTERNATOR PULLEY	
2	└	⊕ NDHB-E	1	PULLEY	
3	└	⊕ NDHB-E	1	FAN	
6	L826HF01		1	BRACKET	
7	2314J004		3	SCREW	
8	2314H021		1	SCREW	
9	2318A603		1	NUT	
10	36155155		1	LEVER	
11	2314H003		1	SCREW	
12	2314H003		1	SCREW	
13	2614A028		1	BELT	
14	4172H012		1	WIRING HARNESS	
15	2817154		4	TIE	
16	4173A001		1	FUSE	
17	└PF65133	● 2841231	1	FUSE	
18	└3684U003		1	STRIP	(A)
19	└2163745	● 2163747	2	SCREW	
20	└2131109		2	WASHER	
21	└2168519		2	NUT	(B)
22	└2168519		2	NUT	(B)
23	└0920052	● 2134105	2	WASHER	
24	2131A008		1	WASHER	

Footnotes

(A)	NO LONGER REQUIRED,USE SCREWS 2163745,WASHER 0920052 AND DELETE TWO NUTS 2168519.
(B)	4 - REQUIRED ONLY WHEN INSULATING STRIP IS FITTED.2 - REQUIRED WHEN INSULATING STRIP IS NOT FITTED.

NDHB1723



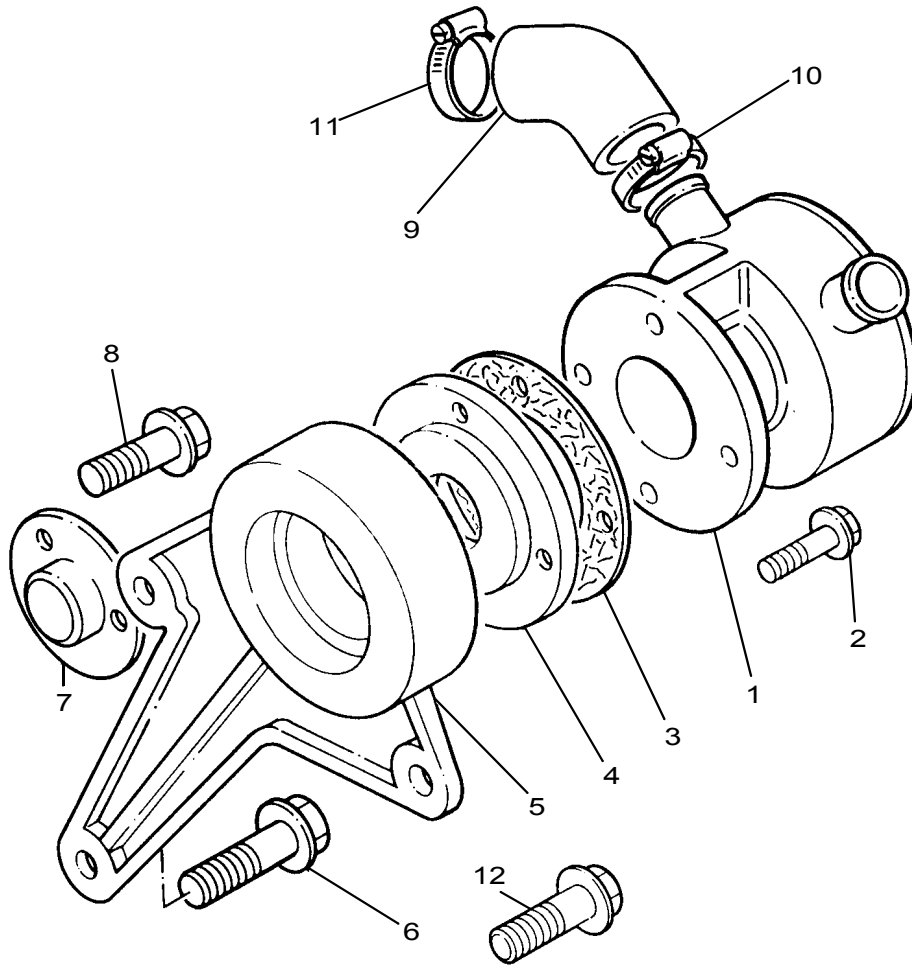
NDHB1723

Item	Part No.	References	Qty.	Description	Notes
1	2871A145	● 2871A655	1	ALTERNATOR	(A)
2	—28710263		1	COVER	(B)
3	—28710264		1	REGULATOR	(B)
4	—28710265		1	RECTIFIER	(B)
5	—28710266		1	BOX	(B)
6	—28710267		2	BRUSH	(B)
7	—28710268		1	PROTECTOR	(B)
8	—28710269		2	CAPACITOR	(B)
9	—28710270		3	BOLT	(B)
10	—28710271		1	BRACKET	(B)
11	—28710272		1	STATOR	(B)
12	—28710273		1	ROTOR - ELECTRIC REPAIR	(B)
13	—28710274		1	RING	(B)
14	—28710275		1	BALL BEARING	(B)
15	—28710276		1	BRACKET	(B)
16	—28710277		1	BALL BEARING	(B)
17	—28710278		1	SUNDRY KIT	(B)
18	—28710279		1	CLIP	(B)
19	—28710280		1	FAN	(B)

**Footnotes**

(A)	BREAKDOWN OF 2871A145 NOT AVAILABLE.
(B)	USED ONLY WITH 2871A655

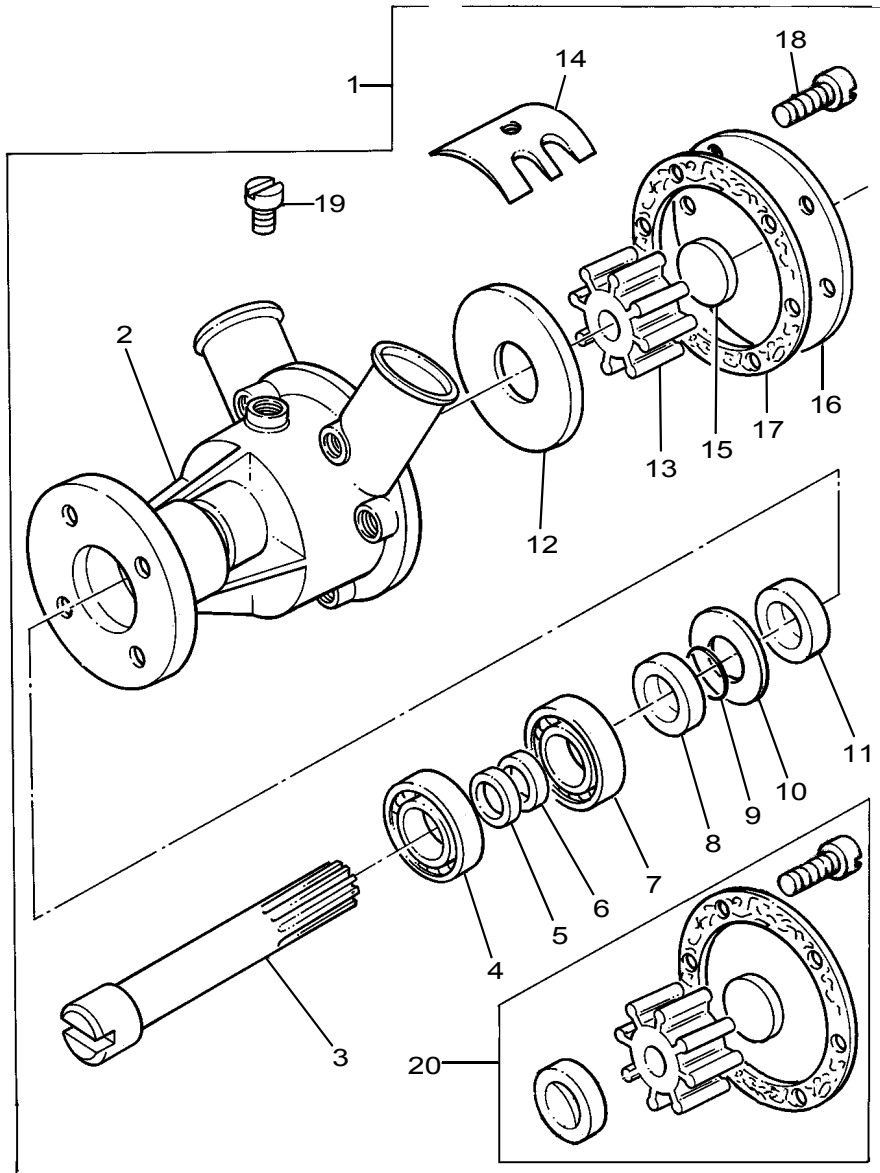
QBHB0131



QBHB0131

Item	Part No.	References	Qty.	Description	Notes
1	2488A401	☞ QBHB-B	1	WATER PUMP	
2	2314F006		4	SCREW	
3	3381D004		1	GASKET	
4	3344A014		1	ADAPTOR	
5	3751C071		1	BRACKET	
6	2314H006		3	SCREW	
7	3272X001		1	ADAPTOR	
8	2311D038		3	SCREW	
9	34821112		1	CONNECTION	
10	2481886		1	CLIP	
11	2481886		1	CLIP	

QBHB0131





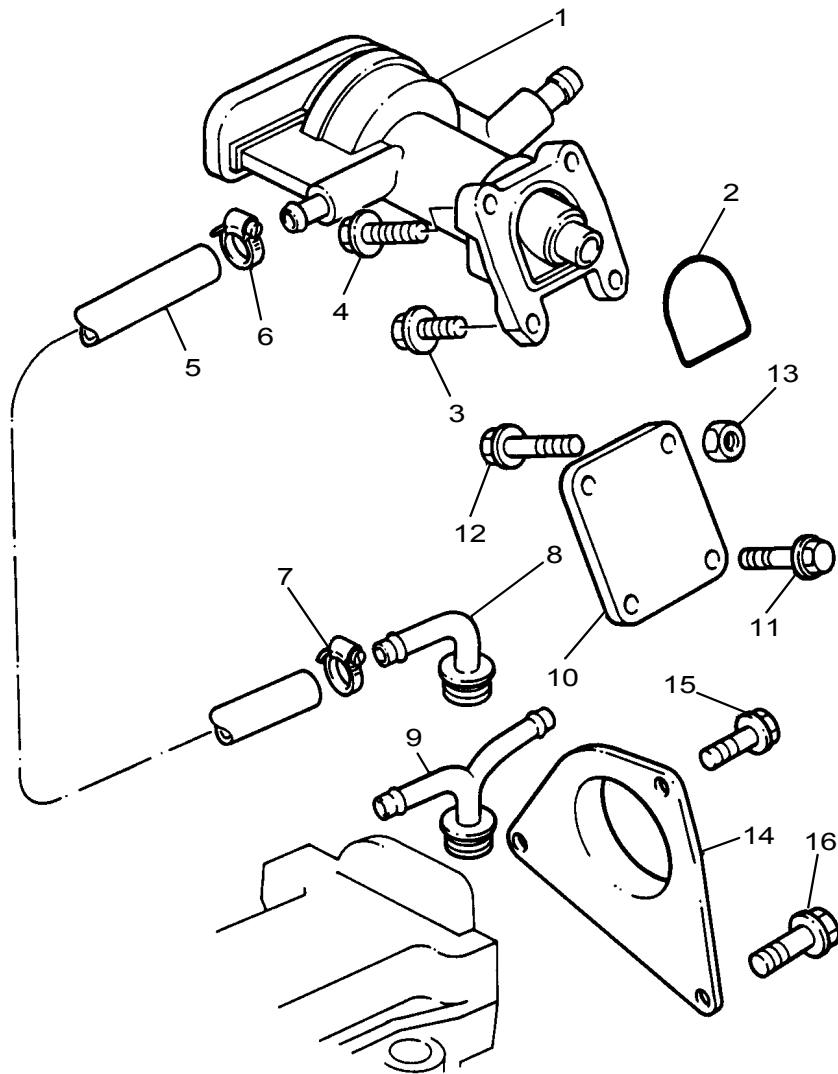
QBHB0131

Item	Part No.	References	Qty.	Description	Notes
1		☞ QBHB-A	1	WATER PUMP	
2	—24880187		1	BODY	
3	—24880188		1	SHAFT	
4	—24880183		1	BALL BEARING	
5	—24880182		1	WASHER	
6	—24880182		1	WASHER	
7	—24880183		1	BALL BEARING	
8	—24880184		1	SEAL - SHAFT	
9	—24880185		1	SEAL - O RING	
10	—24880186		1	SPACER	
11	—24880184		1	SEAL - SHAFT	
12	—24880108		1	PLATE	
13	—0460038		1	IMPELLER	(A)
14	—24880181		1	CAM	
15	—0730110		1	PLUG	(A)
16	—24880189		1	COVER	
17	—0490785		1	GASKET - WATER PUMP	(A)
18	—0720866		6	SCREW	(A)
19	—0720688		1	SCREW	
20	—24880180		X	REPAIR KIT - WATER PUMP	
13	24880452		1	IMPELLER	(B,C)

**Footnotes**

(A)	ALSO INCLUDED IN REPAIR KIT
(B)	USED ONLY FOR LIFEBOAT APPLICATIONS
(C)	NOT INCLUDED IN REPAIR KIT

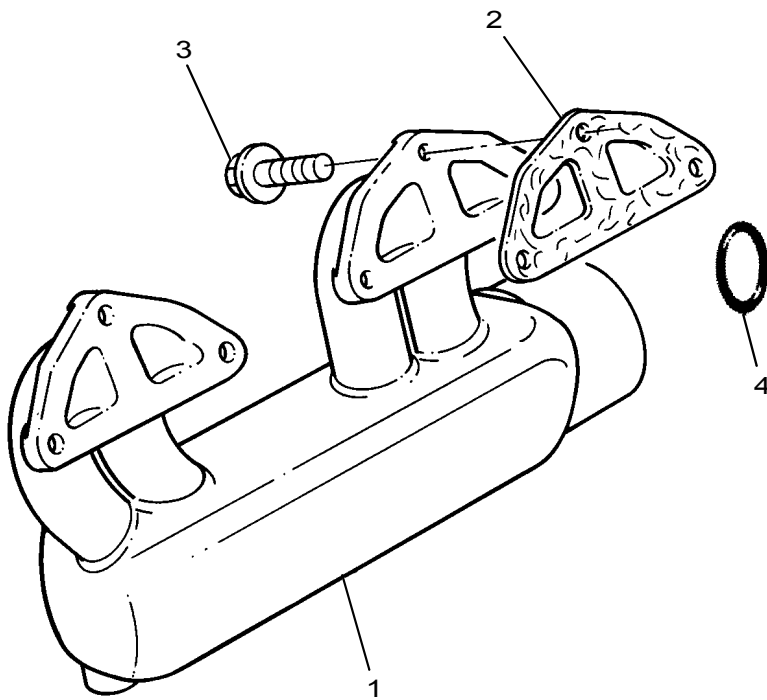
QDHB0852



**QDHB0852**

Item	Part No.	References	Qty.	Description	Notes
10	3611M005		1	PLATE	
11	2314H002	● 2314H001	2	SCREW	
12	2314H013		2	SCREW	
13	2318A603		2	NUT	

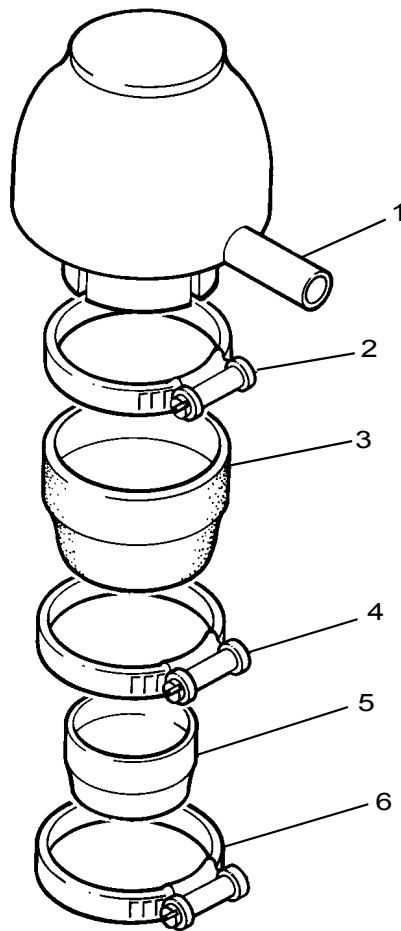
TBHB0539



<b>Induction Manifold</b>	<b>Plate C</b>
	<b>TBHB0539</b>

Item	Part No.	References	Qty.	Description	Notes
1	3777C071		1	INDUCTION MANIFOLD	
2	3681V003		2	GASKET - IND MANIFOLD	
3	2314H005		6	SCREW	

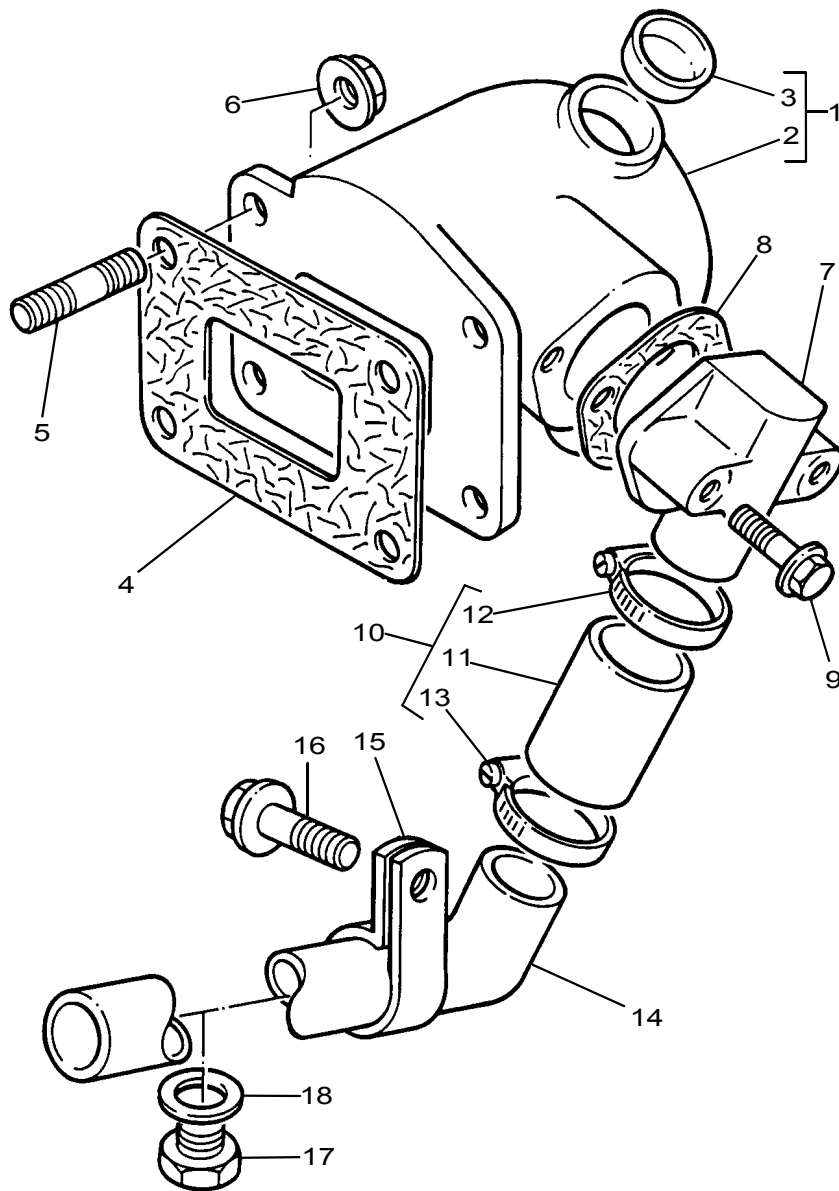
TDHB0213



TDHB0213

Item	Part No.	References	Qty.	Description	Notes
1	37444108		1	COVER	
2	2481890		1	HOSE CLIP	
3	3382D007		1	HOSE	
4	2481891	●○ 2581890	1	CLIP	
5	3348F008		1	ADAPTOR	
6	2481889	●○ 2481890	1	CLIP	

UDHB0377





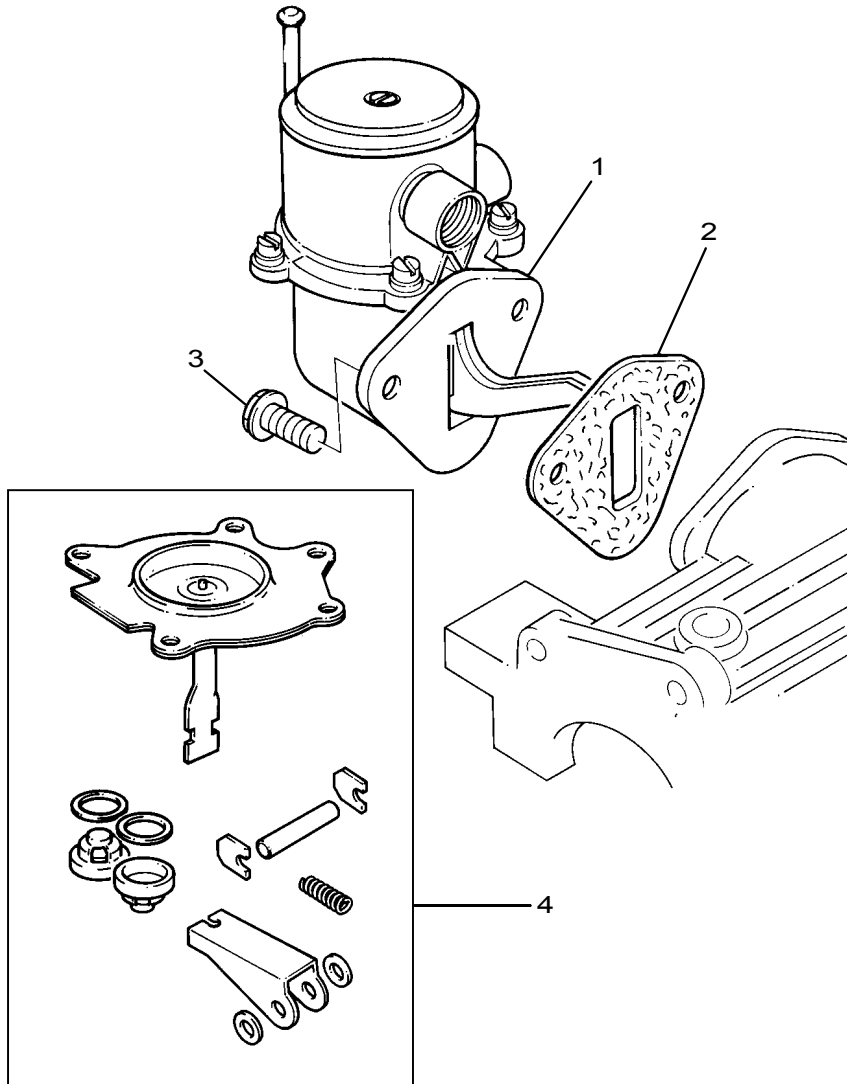
UDHB0377

Item	Part No.	References	Qty.	Description	Notes
1	4133Y023	●○ 4133Y015 ●○ 4133Y002	1	ELBOW	
2	├──	⇒ REF.1	1	ELBOW	
3	├──063610318	●○ 32417142	3	PLUG	(A)
3	├──0650713		3	PLUG	(B)
4	L681VF03		1	GASKET - TURBOCHARGER	
5	L254HF03		4	STUD	
6	2318A663		4	NUT	
7	3764A092		1	CONNECTION	
8	3683H004		1	GASKET	
9	2314H008		2	SCREW	
10	U5MH0009		1	HOSE KIT	(C)
10	U5MH0008		1	HOSE KIT	(D)
11	├──	⇒ REF.10	1	HOSE	
12	├──2481886		1	CLIP	
13	├──2481886		1	CLIP	
14	4126P136		1	WATER PIPE	(E)
15	├──36568156		2	CLIP	
16	2314H003		2	SCREW	
17	0650002		1	PLUG	
18	0920154		1	WASHER	

## Footnotes

(A)	USED ONLY WITH 4133Y002.
(B)	USED ONLY WITH 4133Y015.
(C)	USED ONLY WITH 4126P114
(D)	USED ONLY WITH 4126P126
(E)	WAS 4126P114-USE 4126P136 WITH U5MH0008

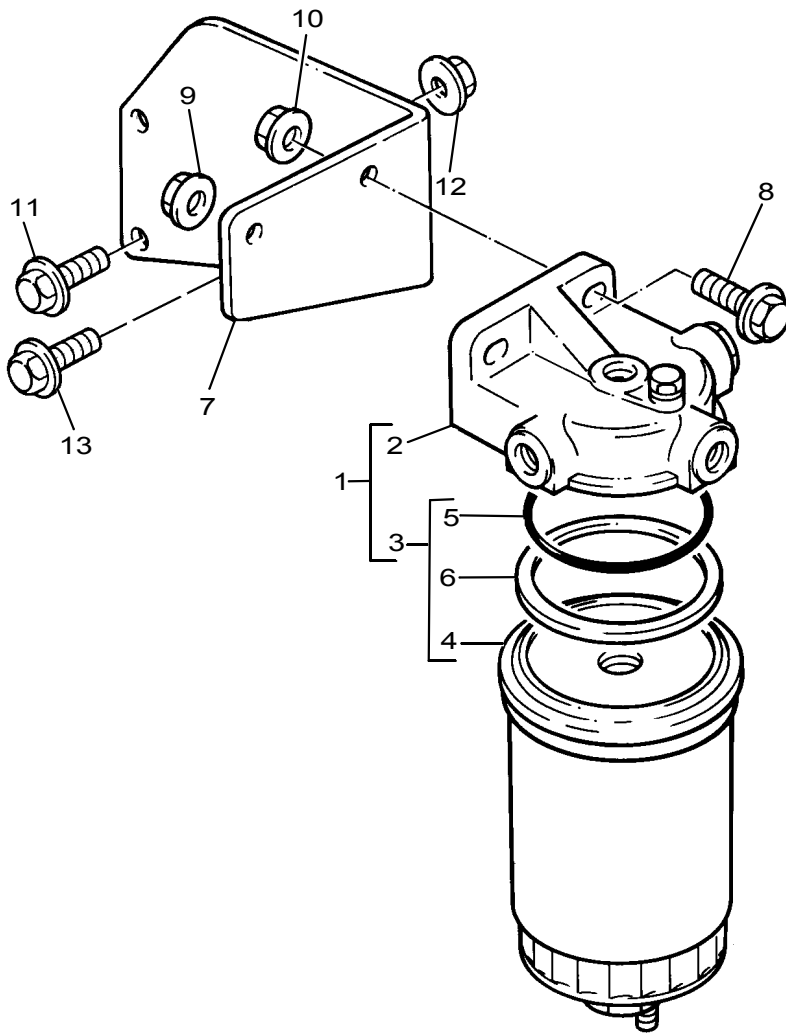
VBHB1367



VBHB1367

Item	Part No.	References	Qty.	Description	Notes
1	K641AF04	●○ K641AF02	1	LIFT PUMP	
2	L686JF02		1	GASKET - LIFT PUMP	
3	2314H004		2	SCREW	
4	26410009		X	REPAIR KIT - LIFT PUMP	

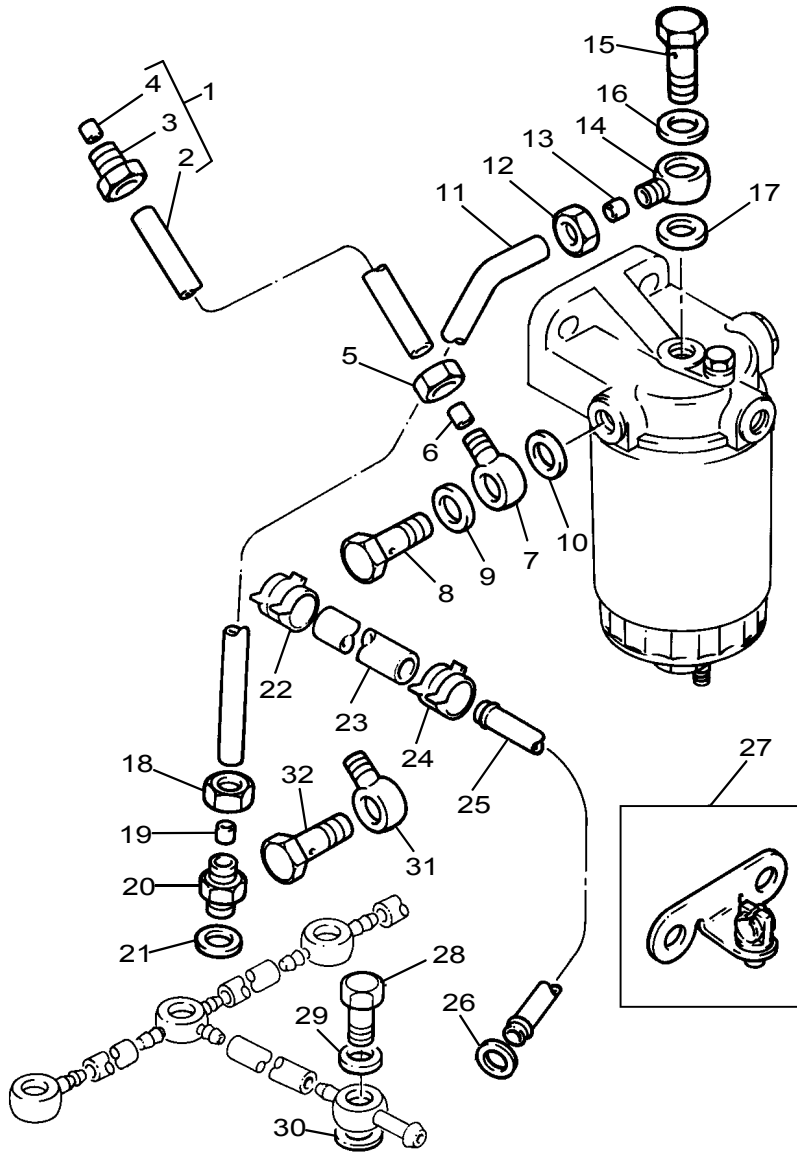
VBHB1367



VBHB1367

Item	Part No.	References	Qty.	Description	Notes
1	K656CF02		1	FUEL FILTER ASSEMBLY	
2		⇒ REF.1	1	FILTER HEAD	
3	—26561118	↗ 26569051	1	FUEL FILTER KIT	
4		⇒ REF.3	1	ELEMENT	
5	—26439031		1	SEAL - O RING	
6	—26439030		1	SEAL - O RING	
7	3825T014		1	BRACKET	
8	2314J003		2	SCREW	
10	2318A604		2	NUT	

VBHB1367

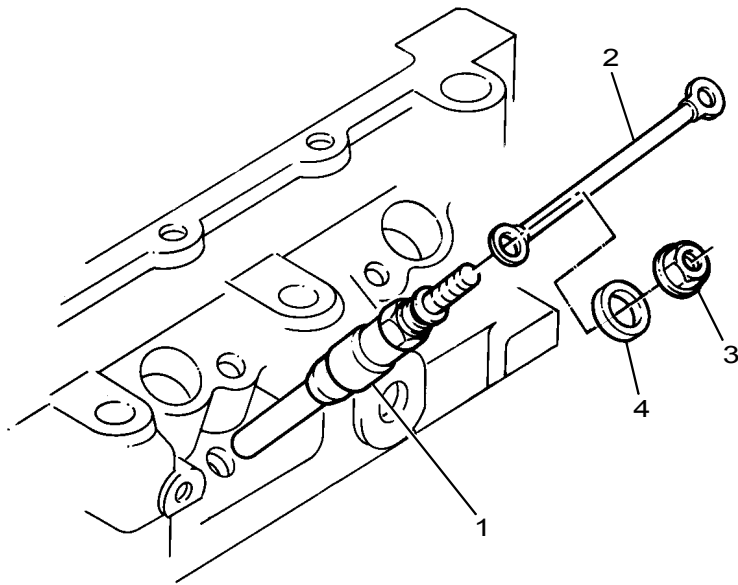


VBHB1367

Item	Part No.	References	Qty.	Description	Notes
1	4122C023		1	FUEL PIPE	
2		⇒ REF.1	1	PIPE	
3	33532129		1	NUT	
4	33811114		1	OLIVE	
5	33225414		1	NUT	
6	33811114		1	OLIVE	
7	0201500		1	CONNECTION	
8	0095031		1	BOLT	
9	2411156		1	WASHER	
10	2411156		1	WASHER	
11	3443E004	● 3443E002	1	FUEL PIPE	
12	33225414		1	NUT	
13	33811114		1	OLIVE	
14	0201500		1	CONNECTION	
15	0095031		1	BOLT	
16	2411156		1	WASHER	
17	2411156		1	WASHER	
18	33225414		1	NUT	
19	33811114		1	OLIVE	
20	0201502		1	UNION	
21	2411154		1	WASHER	
22	K481FF01		1	CLIP	
23	L386AF03	● L386AF01	1	HOSE	
24	K481FF01		1	CLIP	
25	L477HF05		1	FUEL PIPE	
26	L311KF01		2	WASHER	
27	3786A006		1	BRACKET	

•∞ WDHB0204 •∞ WDHB0184

WDHB0176



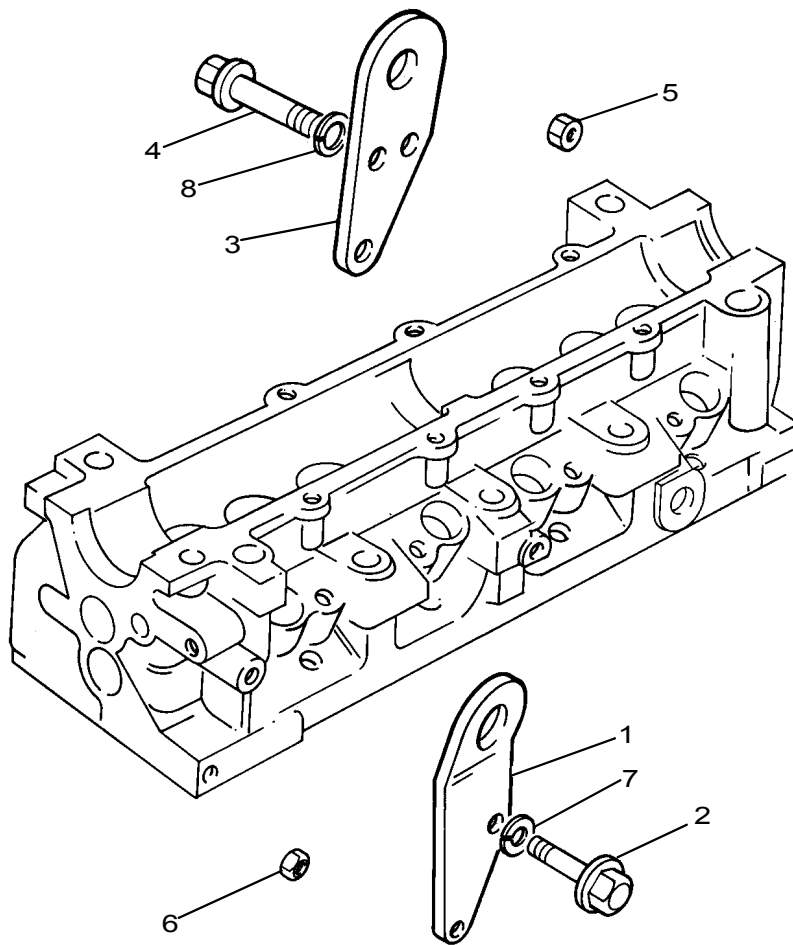


●○ WDHB0204 ●○ WDHB0184

WDHB0176

Item	Part No.	References	Qty.	Description	Notes
1	2666A011	●○ K666AF01	4	GLOWPLUG	
2	M172EF02		3	CABLE	
3	2318A601		4	NUT	

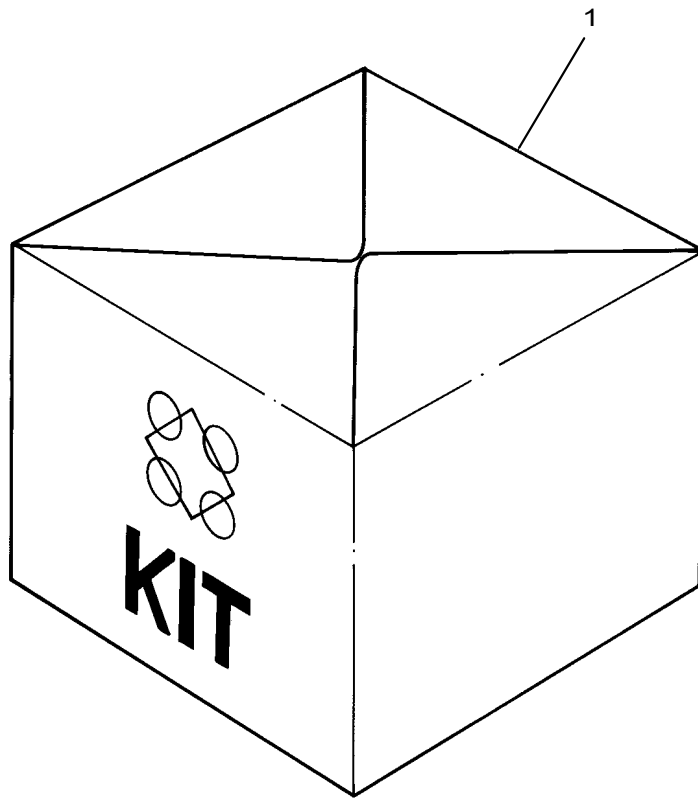
XBHB0292



<b>Engine Lifting</b>	<b>Plate A</b>
	<b>XBHB0292</b>

<b>Item</b>	<b>Part No.</b>	<b>References</b>	<b>Qty.</b>	<b>Description</b>	<b>Notes</b>
1	3648T001		1	PLATE	
2	2314H403		2	SCREW	
3	3623K011		1	PLATE	
4	2314H403		3	SCREW	

ZAHB0502



**Throttle & Stop Controls**

Plate A

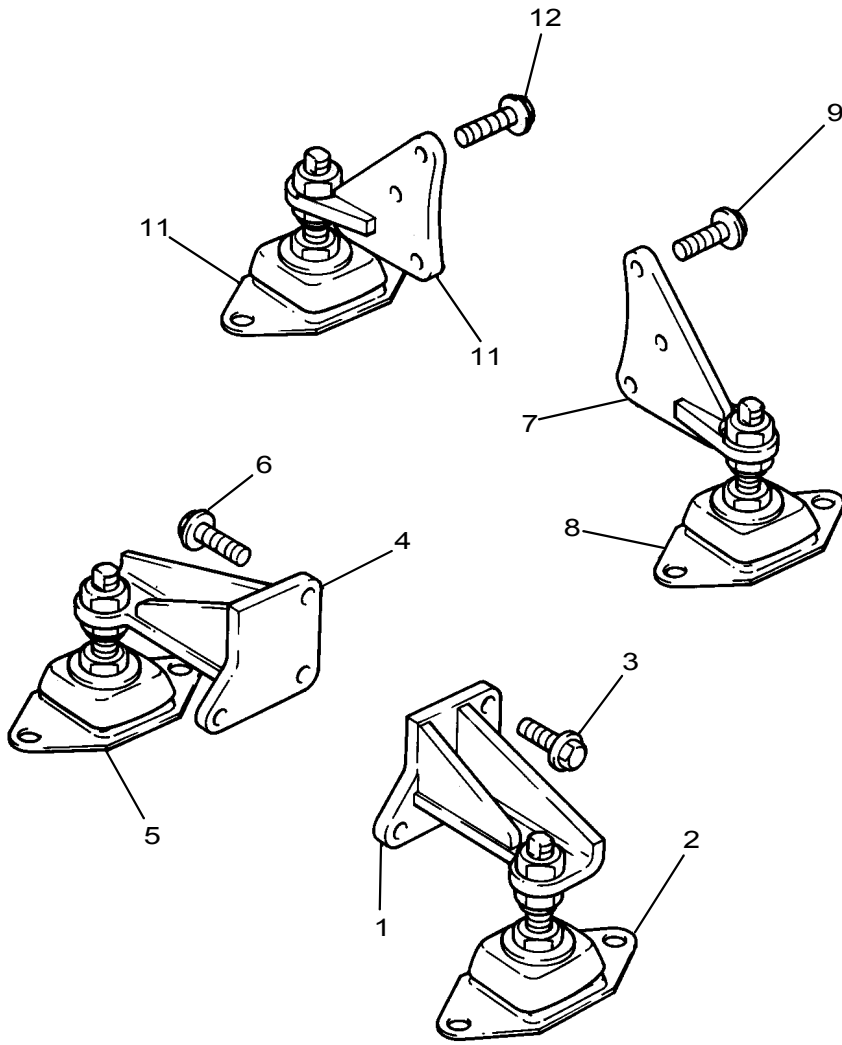
ZAHB0502

Item	Part No.	References	Qty.	Description	Notes
1	2734A053	●○ 2734A051	1	KIT	(A)

**Footnotes**

(A) THROTTLE CONTROL CABLE FITTINGS

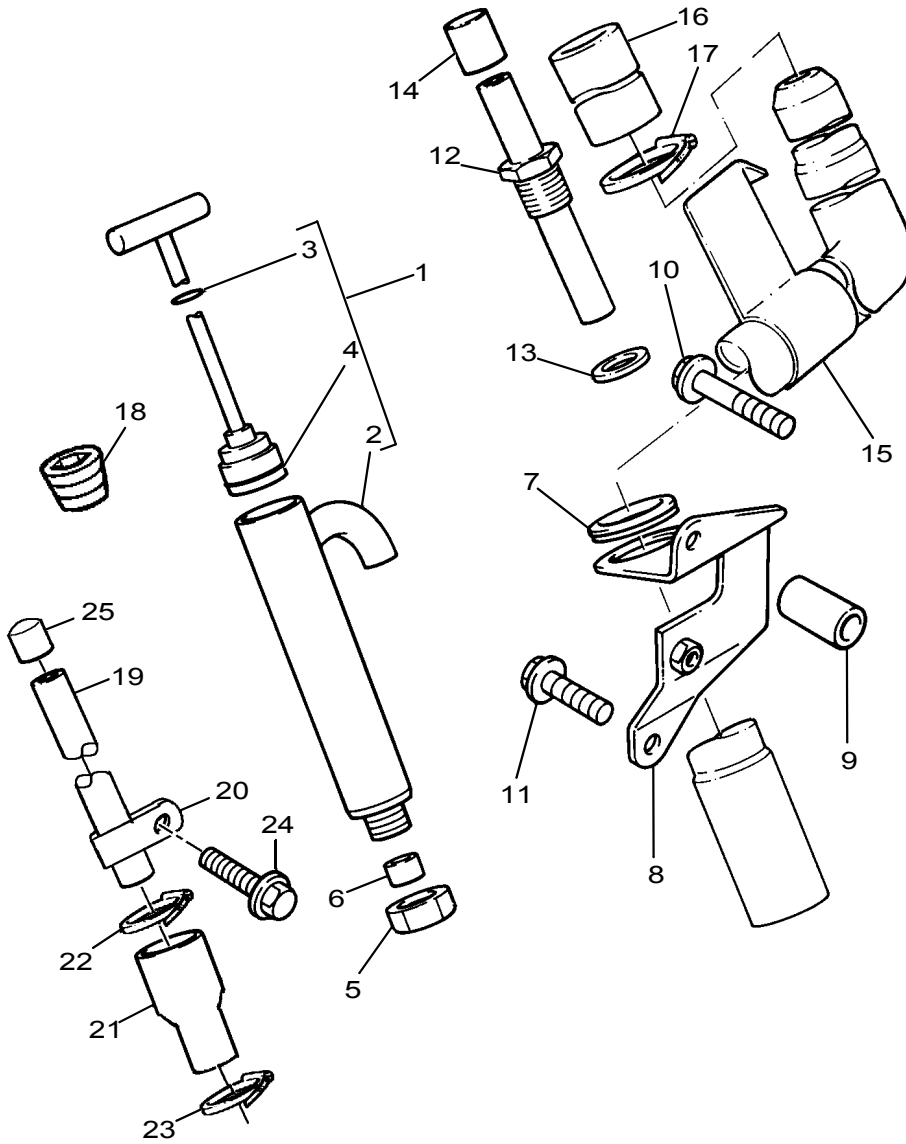
ZCHB0765



**Mountings (Front & Rear)****Plate B****ZCHB0765**

<b>Item</b>	<b>Part No.</b>	<b>References</b>	<b>Qty.</b>	<b>Description</b>	<b>Notes</b>
1	3823H004		1	BRACKET	
2	2634C202		1	MOUNTING	
3	2314J203	●○ 2314J003	3	SCREW	
4	3823H005		1	BRACKET	
5	2634C202		1	MOUNTING	
6	2314J203	●○ 2314J003	3	SCREW	
7	3823H003		1	BRACKET	
8	2634C202		1	MOUNTING	
9	2314J003		3	SCREW	
10	3823H003		1	BRACKET	
11	2634C202		1	MOUNTING	
12	2314J003		3	SCREW	

ZGHB0040

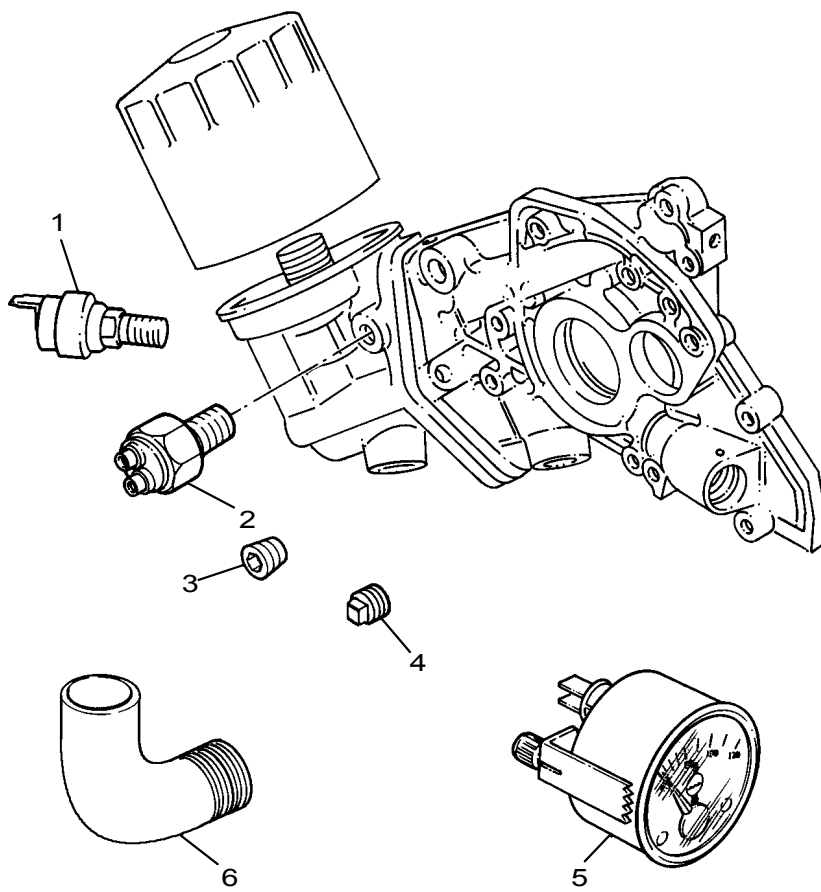




ZGHB0040

Item	Part No.	References	Qty.	Description	Notes
1	2488460		1	OIL SUMP DRAIN PUMP	
2		⇒ REF.1	1	PUMP	
3	24889902		1	SEAL - O RING	
4	24889901		1	SEAL - O RING	
5	0576117		1	NUT	
6	0566008		1	OLIVE	
7	2731A027		1	GROMMET	
8	3832A001		1	BRACKET	
9	33246117		1	SPACER	
10	2314J007		1	SCREW	
11	2314J001		1	SCREW	
12	3531A003		1	TUBE	
13	0920130		1	WASHER	

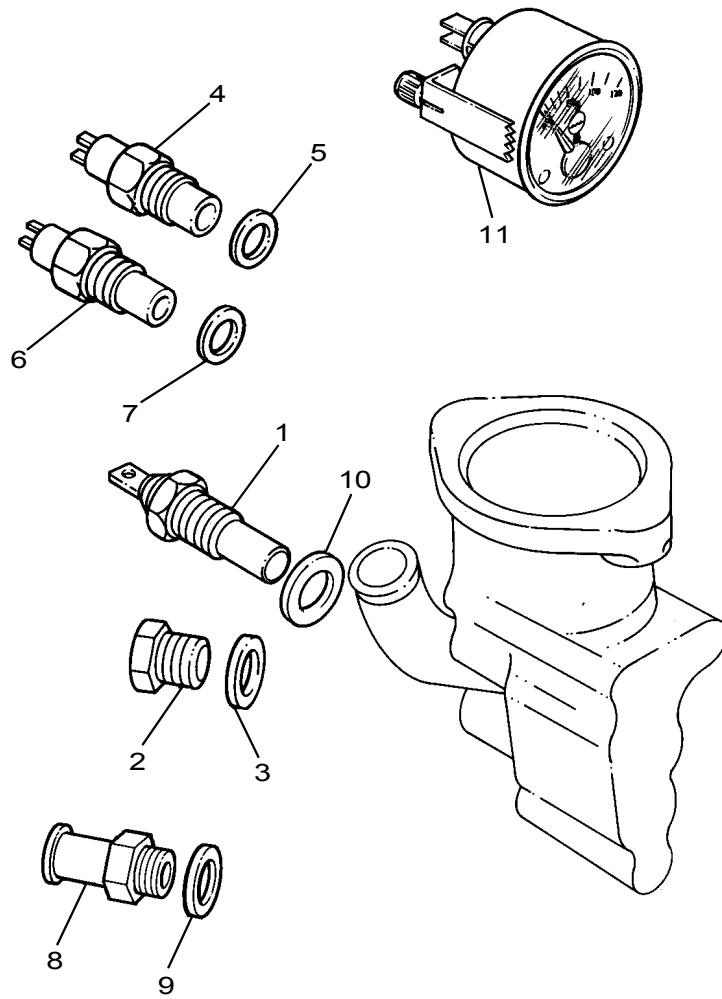
ZJHB0408



**Lub. Oil Pressure Switch & Gauge****Plate A****ZJHB0408**

<b>Item</b>	<b>Part No.</b>	<b>References</b>	<b>Qty.</b>	<b>Description</b>	<b>Notes</b>
2	2848A042		1	OIL PRESSURE SWITCH	
3	2431131		2	PLUG	

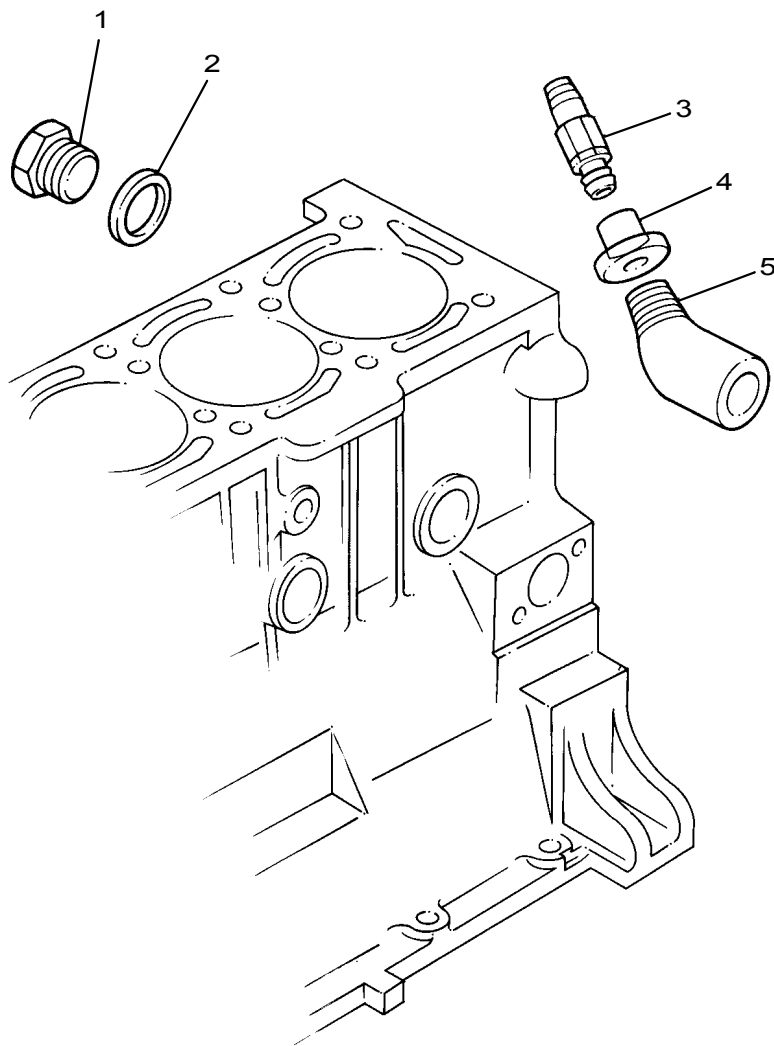
ZLHB0184



**Temperature Gauge & Sender****Plate A****ZLHB0184**

<b>Item</b>	<b>Part No.</b>	<b>References</b>	<b>Qty.</b>	<b>Description</b>	<b>Notes</b>
4	2848A106		1	WATER TEMPERATURE SWITCH	
5	2411156		1	WASHER	
6	2755A007	●○ 2755A004	1	WATER TEMPERATURE SENSOR	
7	2411156		1	WASHER	

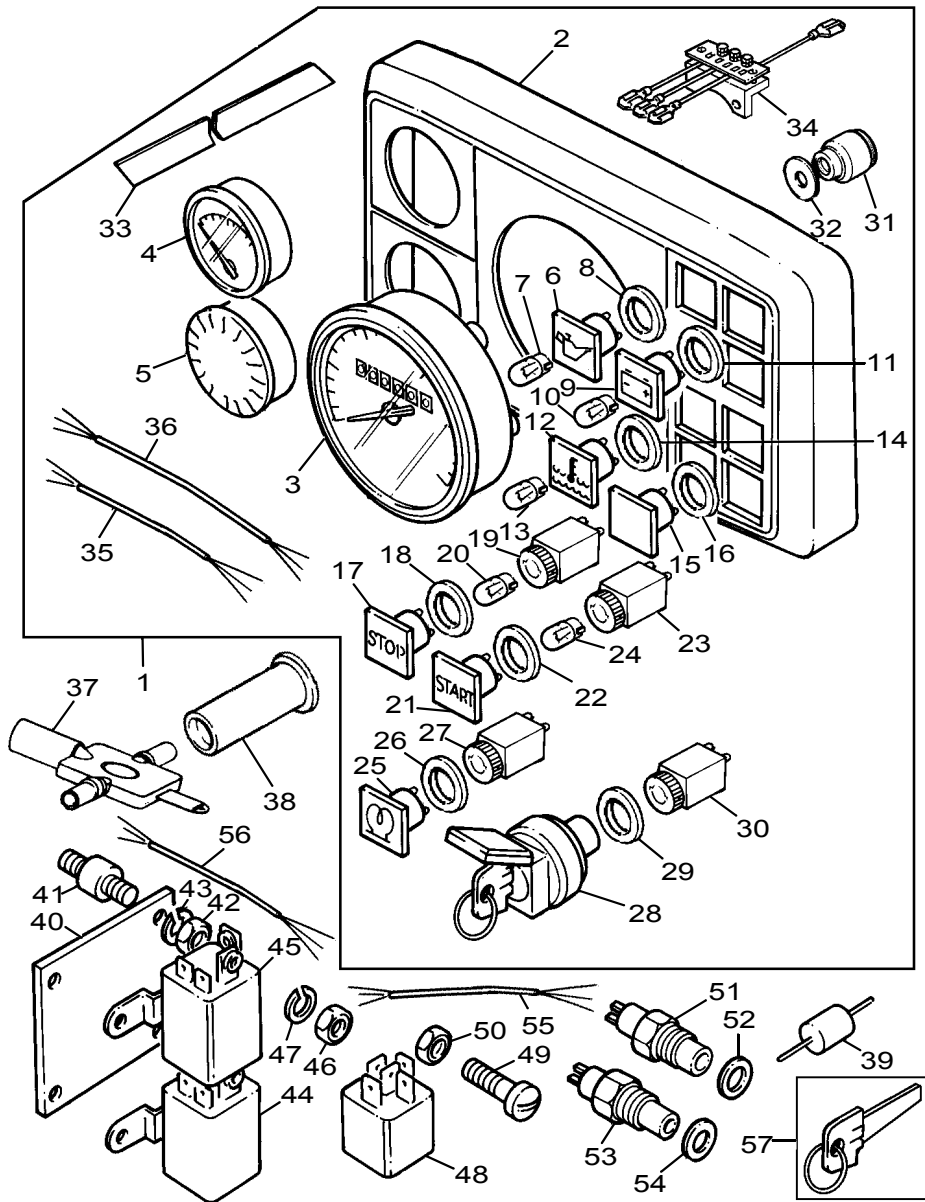
ZMHB0248



<b>Radiator &amp; Cowling</b>		<b>Plate A</b>
		<b>ZMHB0248</b>

<b>Item</b>	<b>Part No.</b>	<b>References</b>	<b>Qty.</b>	<b>Description</b>	<b>Notes</b>
1	L2243F02		1	PLUG	
2	L311KF04		1	WASHER	

ZNHB0145





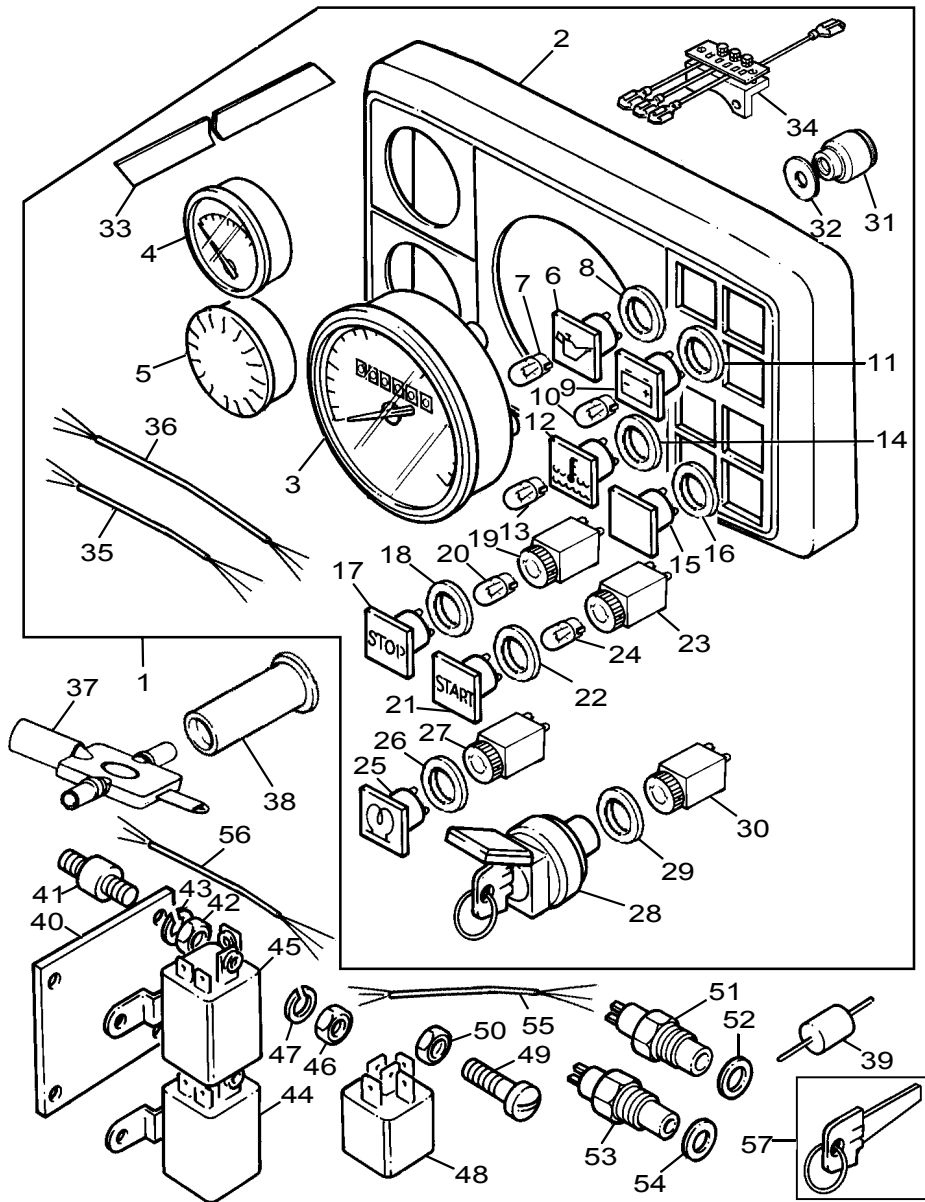
ZNHB0145

Item	Part No.	References	Qty.	Description	Notes
1	4171A025	● 4171A024	1	PANEL	
2	└2755F021		1	PANEL	
3	└2755F051		1	TACHOMETER	
4	└2755F031		1	TEMPERATURE GAUGE	
5	└2755F041		1	ALARM	
6	└2755F101		1	LAMP	
7	└└27550016		1	BULB	
8	└└2755F201		1	RING	
9	└2755F111		1	LAMP	
10	└└27550015		1	BULB	
11	└└2755F201		1	RING	
12	└2755F121		1	LAMP	
13	└└27550016		1	BULB	
14	└└2755F201		1	RING	
15	└2755F131		1	BLANKING COVER	
16	└└2755F201		1	RING	
17	└2755F071		1	CONTACT	
18	└└2755F201		1	RING	
19	└2755F142		1	SWITCH	
20	└└27550017		1	BULB	
21	└2755F081		1	CONTACT	
22	└└2755F201		1	RING	
23	└2755F142		1	SWITCH	
24	└└27550017		1	BULB	
25	└2755F091		1	CONTACT	
26	└└2755F201		1	RING	
27	└2755F141		1	SWITCH	
28	└2755F061		1	LOCK	
29	└└2755F201		1	RING	
30	└2755F141		1	SWITCH	
31	└2755F202		8	NUT	
32	└2755F203		8	WASHER	
33	└2755F205		1	SEAL	
34	└2880A004		1	PANEL	(A)
34	└3161C002		1	PANEL	(B)
35	└4172V012		1	WIRING HARNESS	(C,A)
35	└4172V022		1	WIRING HARNESS	(C,B)
36	└4172P004		1	WIRING HARNESS	(D)
37	21825186		1	TOOL	(E)
38	21825187		1	TOOL	(F)
56	4172V019		1	WIRING HARNESS	(G)
57	27550019		X	IGNITION KEY	(H)

## Footnotes

(A)	USE ONLY WITH 4171A024
(B)	USE ONLY WITH 4171A025
(C)	WIRING LOOM PANEL

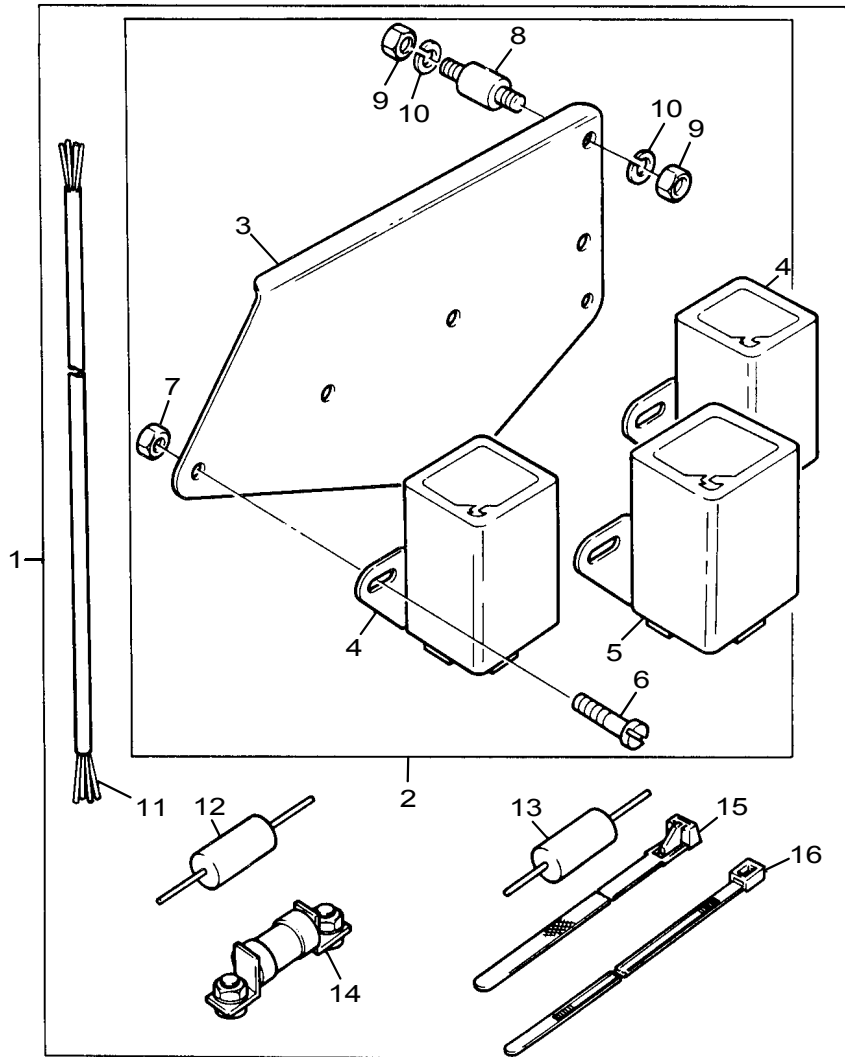
ZNHB0145



<b>Instrumentation Assembly</b>	<b>Plate B</b>
	<b>ZNHB0145</b>

<b>Footnotes</b>	
(D)	WIRING LOOM PANEL TO ENGINE
(E)	COMBINED BULB AND PUSH CAP REMOVER
(F)	WARNING LIGHT LOCKING RING TIGHTENING TOOL
(G)	WIRING LOOM ENGINE.
(H)	KEY BLANK SUITABLE FOR FINISHING TO CREATE SUBSTITUTE FOR EXISTING KEYS.

ZNHB0145



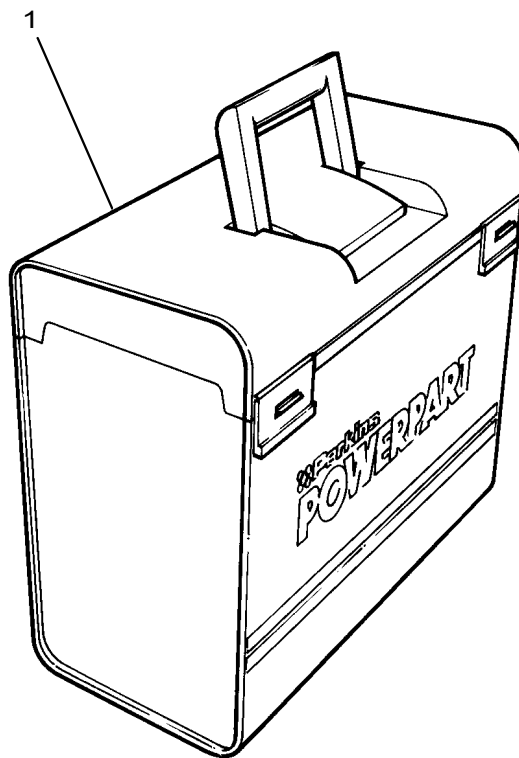
ZNHB0145

Item	Part No.	References	Qty.	Description	Notes
1	4172V021	● 4172V019	1	HARNESS KIT	
2	—4173D003		1	PANEL	
3	—3645K013		1	PLATE	
4	—2848A227		2	RELAY	
5	—2848A204		1	RELAY	
6	—2312A044		4	SCREW	
7	—2318A206		4	NUT	
8	—2634A157		4	MOUNTING	
9	—2318A205		8	NUT	
10	—2134A004		8	WASHER	
11	—4172V023	● 4172V018	1	WIRING HARNESS	(A)
11	—4172V023		1	WIRING HARNESS	(B)
12	—2863B001		3	DIODE	(A)
12	—2863B001		2	DIODE	(B)
13	—2861A101		4	DIODE	(A)
13	—2861A101		2	DIODE	(B)
14	—4173A001		1	FUSE	
15	—2817157		1	TIE	
16	—2817154		6	TIE	

## Footnotes

(A)	USED ONLY WITH 4172V019
(B)	USED ONLY WITH 4172V021

ZZUB0100



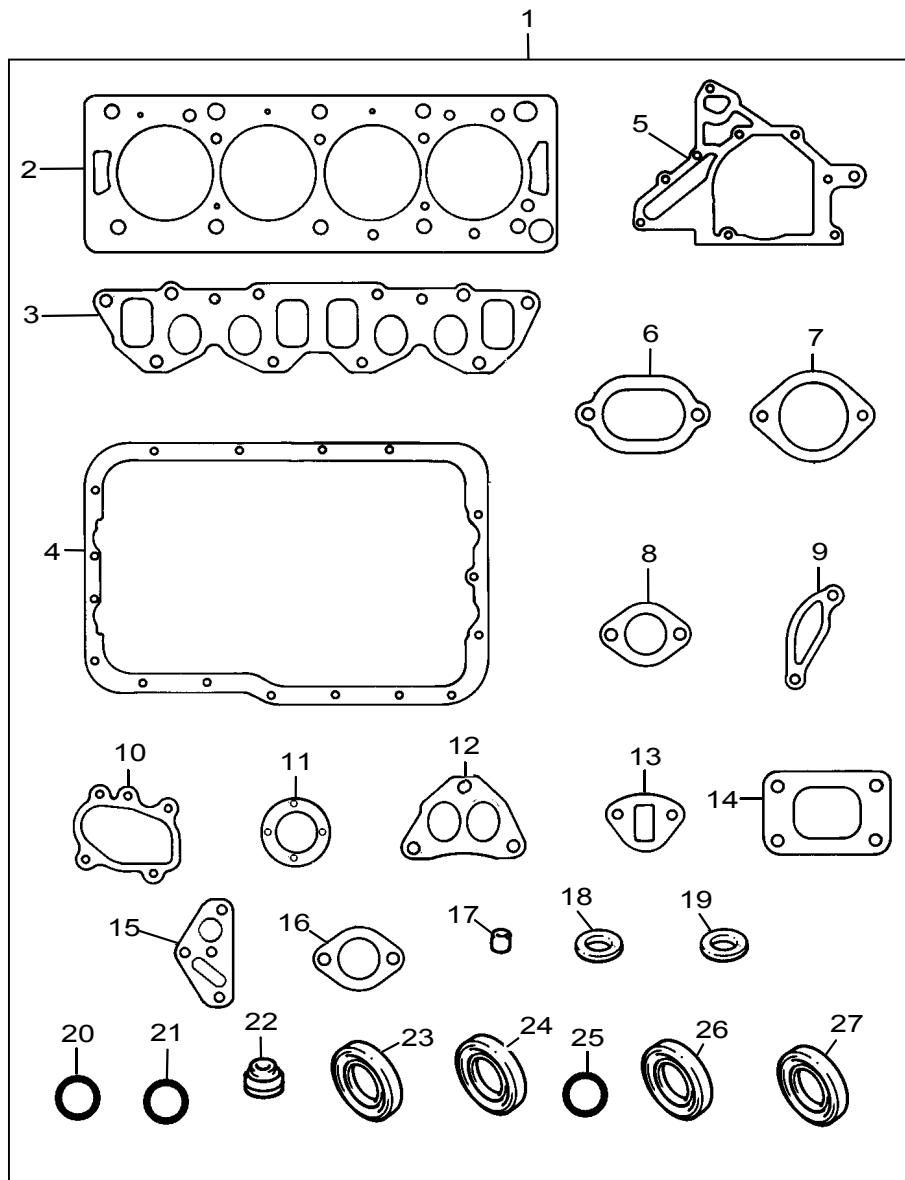
ZZUB0100

Item	Part No.	References	Qty.	Description	Notes
1	U5MK0162		1	REPAIR KIT - ONBOARD	(A)
2	—U5MK0161		1	REPAIR KIT - ONBOARD	
3	—2645F008	☉	4	INJECTOR	
4	—2646C551	●○ 2646C159	1	FUEL INJECTION PIPE	NO.1 CYL.
5	—2646C552	●○ 2646C160	1	FUEL INJECTION PIPE	NO.2 CYL.
6	—2646C553	●○ 2646C161	1	FUEL INJECTION PIPE	NO.3 CYL.
7	—2646C554	●○ 2646C162	1	FUEL INJECTION PIPE	NO.4 CYL.
8	—L311FF02		4	INJECTOR WASHER	
9	—U5MW0084	●○ M131AF03 ☉	1	WATER PUMP	
10	—K641AF04		1	LIFT PUMP	
11	—2654409		1	OIL FILTER	
12	—26561118	⚙ 26569051	1	FUEL FILTER KIT	
13	—2485613		1	THERMOSTAT	
14	—2614A027		1	BELT	
15	—L482VF02		1	HOSE	
16	—33872516	●○ 33872516	1	PIPE - BREATHER	
17	—L383CF01		1	HOSE	
18	—33853121		1	HOSE	
19	—33853113		1	HOSE	
20	—3482T005		1	HOSE	
21	—34821112		1	CONNECTION	
22	—33824402		1	HOSE	
23	—U5MH0009		1	HOSE KIT	
24	—2481883		4	CLIP	
25	—2481886	●○ 2481885	2	CLIP	
26	—21825198	●○ 2481887	2	CLIP	
27	—2481889		2	CLIP	
28	—2481886		5	CLIP	
29	—2481891		2	CLIP	
30	—21820025		1	CONTAINER	
31	—L142AF02		4	EXHAUST VALVE	
32	—L142HF01		4	INTAKE VALVE	
33	—L174PF02		8	SPRING	
34	—K418AF02	●○ K418AF01	1	SEAL - FRONT END OIL	
35	—K418FF01		1	SEAL - REAR END OIL	
36	—U5LC0015	●○ U5LC0007	1	GASKET KIT - COMPLETE ENG	
<b>Service Options</b>					
3	2645F008R		4	INJECTOR - EXCHANGE	
9	U5MW0084R		1	WATER PUMP - EXCHANGE	

**Footnotes**

(A) COMPONENT PARTS NOT ILLUSTRATED

SGBB0117





SGBB0117

Item	Part No.	References	Qty.	Description	Notes
1	U5LC0015	● U5LC0007	X	GASKET KIT - COMPLETE ENG	
2	—L681EF06		1	GASKET - CYLINDER HEAD	
3	—L681VF02		1	GASKET - IND MANIFOLD	
4	—L681KF06	● L681KF03	1	GASKET - SUMP	
5	—L687YF02		1	GASKET - LIFT PUMP	
6	—L687MF05		1	GASKET	
7	—L683NF02		1	GASKET - WATER OUTLET	
8	—L683HF01		1	GASKET - OIL FILLER	
9	—L687MF12		1	GASKET - THERMOSTAT HSG	(A)
9	—L687MF13		1	GASKET - THERMOSTAT HSG	(A)
9	—3687M014		1	GASKET - THERMOSTAT HSG	(A)
10	—L688CF01		1	GASKET	
11	—3381D004		1	GASKET	
12	—36862189	● 3681V003	2	GASKET - EXHAUST MANIFOLD	
13	—L686JF02		1	GASKET - LIFT PUMP	
14	—L681VF03		1	GASKET - TURBOCHARGER	(A)
14	—L688CF02		1	GASKET - EXHAUST OUTLET	(A)
15	—3687W005		2	GASKET - OIL FILTER HEAD	
16	—3683L003		2	GASKET	
17	—33811114		10	OLIVE	
18	—0921176		8	WASHER	(A)
18	—2411101		8	WASHER	(A)
19	—L311FF02		4	INJECTOR WASHER	
20	—K415EF01		1	O RING	
21	—K415EF02		1	SEAL - O RING	
22	—K415JF01		8	SEAL	
22	—K415JF02		8	SEAL - VALVE STEM	
23	—K418FF01		1	SEAL - REAR END OIL	
24	—K418FF05		1	SEAL - CAMSHAFT	
25	—2415638		1	SEAL - O RING	
26	—K418AF02		1	SEAL - FRONT END OIL	
27	—K418FF02		1	SEAL - CAMSHAFT	

**Footnotes**

(A) NOT ALL JOINTS WILL APPLY TO YOUR APPLICATION - REFER TO RELEVANT OPTION/ACCESSORY PACKS



Description	Part No.	Page
ADAPTOR	2487B405	61
	3272X001	71
	3344A014	71
	3348F008	79
ALARM	2755F041	105
ALTERNATOR	2871A145	67, 69
ALTERNATOR PULLEY	2871W005	67
ARMATURE	28730243	47
BALL	26278057	35
BALL BEARING	24880183	73, 73
	28710275	69
	28710277	69
BANJO BOLT	3218R005	27
BELT	2614A027	111
	2614A028	67
BIG END BEARING KIT	U5ME0004	13
BIG END BRG KIT - U/S	U5ME0004A	13
BLANKING COVER	2755F131	105
BODY	24880187	73
	L781LF11	57
	M142KF04	57
BOLT	0095031	87, 87
	28710270	69
BOX	28710266	69
BRACKET	28710271	69
	28710276	69

Description	Part No.	Page
	3751C071	71
	3786A006	87
	3823H003	95, 95
	3823H004	95
	3823H005	95
	3825T014	85
	3832A001	97
	L821EF02	27
	L826CF01	27
	L826HF01	67
BRACKET KIT	28730246	47
BREATHER VALVE	2652851	51
BRUSH	28710267	69
BRUSH KIT	28730471	47
BULB	27550015	105
	27550016	105, 105
	27550017	105, 105
BUSH	28730248	47
CABLE	M172EF02	89
CAGE	26278024	33
CAM	24880181	73
	26278011	33
CAMSHAFT	L141DF02	17
CAMSHAFT PULLEY	3114X102	19
CAP	2486H905	61
	2487B401	61
	2487D002	27

**Parts Index**

Description	Part No.	Page
	2487D102	27
	3342T012	15
	K487BF02	51
	L342TF01	15
CAPACITOR	28710269	69
CARRIER	26278056	35, 35
CIRCLIP	26278049	35
	2721A021	13, 13
CLAMP	4141A006	27
CLIP	21825198	61, 61, 61, 63, 111
	2481845	51
	2481882	51, 51, 51, 51
	2481883	111
	2481886	57, 57, 63, 63, 63, 71, 71, 81, 81, 111, 111
	2481889	79, 111
	2481891	61, 61, 79, 111
	2646E051	27
	28710279	69
	36568156	81
	K138AF01	57, 57
	K481FF01	87, 87
CLUTCH PLATE	26278050	35

Description	Part No.	Page
	26278051	35
CON ROD ASSEMBLY	ZZ90074	13
CON ROD NUT	L3551F01	13
CONNECTION	0201500	87, 87
	3355A004	51
	34821112	71, 111
	3764A092	81
	3765N032	65
CONTACT	2755F071	105
	2755F081	105
	2755F091	105
CONTAINER	21820025	111
COVER	2486H903	61, 61
	24880189	73
	26278003	33, 33
	28710263	69
	37444108	79
CRANKSHAFT KIT	M113AF02	13
	ZZ90161	13
CRANKSHAFT KIT - EXCHANGE	ZZ90161P	13
CRANKSHAFT PULLEY	3114A003	19
	3114C901	55
	3114C906	55
	L114AF31	19
CUP	26278196	35

Description	Part No.	Page
CYLINDER BLOCK ASSEMBLY	M145AF06	11
CYLINDER HEAD	M145DF18	15
	M145DF21	15
CYLINDER HEAD KIT - EXCH	M145DF18P	17
DIODE	2861A101	109, 109
	2863B001	109, 109
DIPSTICK	26278016	33
	3178E012	49
DOWEL	2114A048	19, 31
	L2453F01	13
	L2712F02	39, 41
	L312DF01	15
	L312DF02	27
	L312FF01	11
	L313AF01	21
	L381DF01	17
DRIVE	28730247	47
DRIVE KIT	28730249	47
ELBOW	2486A967	61, 61
	4133Y023	81
EXCHANGER	4133Y022	61
EXHAUST VALVE	L142AF02	111
	L142HF21	15
FAN	28710280	69
FILLER	2486H902	61
	L578HF05	51

Description	Part No.	Page
	L578HF06	51
FLANGE	2628C057	31
FLYWHEEL	4111D115	43
FLYWHEEL HOUSING	3713C081	31
	3713C082	31
FORK	26278012	33
FUEL FILTER ASSEMBLY	K656CF02	85
FUEL FILTER KIT	26561118	85, 111
FUEL INJ PUMP - EXCH	2643H052R	23, 27
FUEL INJECTION PIPE	2646C551	27, 111
	2646C552	27, 111
	2646C553	27, 111
	2646C554	27, 111
FUEL INJECTION PUMP	2643H052	23, 27
FUEL PIPE	2483A009	27
	3443E004	87
	4122C023	87
	L477HF05	87
FUSE	4173A001	67, 109
	PF65133	67
GASKET	26278025	33, 33, 33
	26278026	33
	3381D004	71, 113
	3683H004	81

**Parts Index**

Description	Part No.	Page
	3683L003	61, 61, 113
	L681TF02	39, 41
	L687MF05	113
	L687MF08	53
	L688CF01	113
GASKET - CYLINDER HEAD	L681EF06	17, 113
GASKET - EXHAUST MANIFOLD	36862189	113
GASKET - EXHAUST OUTLET	L688CF02	113
GASKET - IND MANIFOLD	3681V003	77
	L681VF02	61, 113
GASKET - LIFT PUMP	L686JF02	83, 113
	L687YF02	21, 113
GASKET - OIL FILLER	L683HF01	51, 113
GASKET - OIL FILTER HEAD	3687W005	53, 113
GASKET - SUMP	L681KF06	49, 113
GASKET - THERMOSTAT HSG	3687M014	57, 113
	L687MF12	113
	L687MF13	57, 113
GASKET - TURBOCHARGER	L681VF03	81, 113
GASKET - WATER OUTLET	L683NF02	65, 113

Description	Part No.	Page
GASKET - WATER PUMP	0490785	73
GASKET KIT - COMPLETE ENG	U5LC0015	111, 113
GEAR,GEARBOX	26278023	33
	26278042	35
	26278064	35
GEARBOX	2628C005	31
GLOWPLUG	2666A011	89
GROMMET	2731A027	97
GUIDE	L343FF01	15
HARNESS KIT	4172V021	109
HOLDER	2645F305	27
HOSE	33824402	111
	3382D007	79
	33845415	51
	33853113	61, 111
	33853121	61, 111
	3482T005	63, 111
	L383CF01	57, 111
	L386AF03	87
	L482VF02	51, 111
HOSE CLIP	2481890	61, 61, 61, 61, 79
HOSE KIT	U5MH0008	81
	U5MH0009	81, 111
HOUSING	3713C053	31
	3771V801	21
	3771V802	21

Description	Part No.	Page
	3771V803	21
	L771VF13	21
HUB	L744EF01	19
IDLER PULLEY	K522DF04	19
IGNITION KEY	27550019	105
IMPELLER	0460038	73
	24880452	73
INDUCTION MANIFOLD	3777C071	77
INJECTOR	2645F008	27, 111
INJECTOR - EXCHANGE	2645F008R	29, 111
INJECTOR NOZZLE	2645F607	27
INJECTOR WASHER	L311FF02	27, 111, 113
INSERT	2137807	49
	2486H901	61
	L314AF01	15
	L314AF11	15
INTAKE VALVE	L142HF01	111
	L142HF11	15
KEY	26278066	37
KIT	2734A053	93
	2734A054	31
LAMP	2755F101	105
	2755F111	105
	2755F121	105
LEVER	26278006	33
	36155155	67

Description	Part No.	Page
LIFT PUMP	K641AF04	83, 111
LOCK	2755F061	105
LOCKING PLATE	2417A001	55
LOCTITE	21825185	57
MAIN BEARING KIT	U5MB0006	13
MAIN BEARING KIT - U/S	U5MB0006A	13
MOUNTING	2634A157	109
	2634C202	95, 95, 95, 95
NEEDLE BEARING	26278044	35
	26278045	35
NUT	0576054	31
	0576117	97
	2168519	67, 67
	2318A205	109
	2318A206	109
	2318A601	89
	2318A603	27, 63, 67, 75
	2318A604	31, 31, 85
	2318A605	39, 41
	2318A663	81
	26278019	33, 33
	26278038	35
	2755F202	105
33225414	87, 87, 87	
33532129	87	
3353D006	51	

## Parts Index

Description	Part No.	Page
	K318AF01	27
O RING	K415EF01	21, 113
OIL FILTER	2654409	53, 111
OIL FILTER HEAD	M134EF04	53, 53
OIL PIPE	3575H025	49
OIL PRESSURE SWITCH	2848A042	99
OIL PUMP	4132F061	21, 21
OIL SUMP DRAIN PUMP	2488460	97
OLIVE	0566007	51
	0566008	97
	33811112	27, 27
	33811114	87, 87, 87, 87, 113
PANEL	2755F021	105
	2880A004	105
	3161C002	105
	4171A025	105
	4173D003	109
PIN	2117048	21
	26278010	33
	26278061	35
	26278062	35
	3211C001	61
PIPE - BREATHER	33872516	51, 111
PIPE - LEAK OFF	3558X041	27
	3558X042	27

Description	Part No.	Page
PIPE CLIP	36568143	65
PISTON AND RING KIT	U5PR0028	13
	U5PR0028B	13
	U5PR0029	13
	U5PR0029B	13
PISTON KIT	U5LP0038	13
	U5LP0038B	13
	U5LP0039	13
	U5LP0039B	13
PISTON RING KIT	M181CF01	13
	M181CF02	13
PIVOT	28730245	47
PLATE	24880108	73
	26278009	33
	26278022	33, 33
	2628C053	31
	3611M005	75
	3617A002	61
	3623K011	91
	3645K013	109
	3648T001	91
	3714X012	39
	3714X014	41
	L741EF01	21
PLUG	063610318	81
	0650002	81
	0650563	61



Description	Part No.	Page
	0650713	81
	0730110	73
	2421214	49, 57
	2431131	21, 21, 53, 99
	2431A054	51, 53
	2485A011	49
	2487A016	27
	26278014	33
	26278017	33
	26439101	23
	32417136	11
	L2243F02	49, 61, 61, 65, 103
	L2264F02	49, 57, 57, 61
	L2412F01	15
	L2416F01	11, 11, 11
	L2417F01	15
	L242CF01	21
	L271AF03	21
PLUNGER	L271PF01	21
PROTECTOR	28710268	69
PULLEY	3114X092	27
RECTIFIER	28710265	69
REGULATOR	28710264	69
RELAY	2848A204	109
	2848A227	109

Description	Part No.	Page
REPAIR KIT - FUEL INJ PUMP	26439035	25
REPAIR KIT - LIFT PUMP	26410009	83
REPAIR KIT - ONBOARD	U5MK0161	111
	U5MK0162	111
REPAIR KIT - WATER PUMP	24880180	73
RETAINER	28730244	47
RIM	2487B404	61
RING	26278048	37
	26278197	35, 35
	26439039	23
	26439059	23
	2755F201	105, 105, 105, 105, 105, 105, 105, 105
	28710274	69
	L811AF01	27
ROLLER BEARING	26278029	35, 35, 35, 35
	26278030	35, 35, 35, 35
ROTOR	26439099	23
ROTOR - ELECTRIC REPAIR	28710273	69
SCREW	0720688	73
	0720866	73
	2163745	67
	2311D038	71

**Parts Index**

Description	Part No.	Page
	2311D040	55
	2311D058	51
	2311D060	55
	2311D080	57
	2312A044	109
	2314C035	27
	2314E035	57
	2314F001	57
	2314F002	49
	2314F005	49, 49
	2314F006	71
	2314F007	49
	2314F008	49
	2314F036	21
	2314F064	57, 57, 57, 57
	2314F107	21
	2314H001	51
	2314H002	27, 27, 31, 31, 49, 65, 75
	2314H003	19, 39, 41, 61, 61, 61, 67, 67, 81
	2314H004	53, 61, 65, 83
	2314H005	77
	2314H006	71
	2314H008	15, 81
	2314H009	15

Description	Part No.	Page
	2314H013	75
	2314H015	57
	2314H019	53
	2314H021	67
	2314H023	61
	2314H025	61
	2314H034	57
	2314H062	57
	2314H101	17
	2314H403	91, 91
	2314H602	11
	2314J001	97
	2314J002	31, 31
	2314J003	19, 39, 41, 57, 85, 95, 95
	2314J004	31, 31, 67
	2314J006	45
	2314J007	31, 57, 97
	2314J008	27
	2314J010	31
	2314J036	21
	2314J203	95, 95
	2314J612	39, 41
	2314W402	39, 41
	2315D086	19
	3218H007	31
	L211TF01	21

Description	Part No.	Page
	L2153F01	13
	L2186F01	43
	L218DF01	55
	L278CF02	17
	L278CF03	11
	L278HF01	17
SEAL	26278008	33
	2755F205	105
	31718104	29
	K415JF01	15, 113
SEAL - CAMSHAFT	K418FF02	17, 113
	K418FF05	17, 113
SEAL - FRONT END OIL	K418AF02	21, 111, 113
SEAL - O RING	2415638	113
	24880185	73
	24889901	97
	24889902	97
	26278015	33, 33
	26278020	33
	26439030	85
	26439031	85
	K415EF02	49, 113
SEAL - REAR END OIL	K418FF01	39, 41, 111, 113
SEAL - SHAFT	24880184	73, 73
	26278027	35, 35
	26278028	35

Description	Part No.	Page
SEAL - VALVE STEM	K415JF02	15, 113
SETSCREW	2314C044	31, 31
	26278005	33, 33, 33
	26278007	33
	26278018	33
SHAFT	24880188	73
	26278013	33
	26278021	33
	26278032	35
	26278065	35
	26439063	23
	26439078	23
SHIELD	26278002	33
SHIM	26278034	35, 35
	26278035	35, 35
	26278036	35, 35
	26278037	35, 35
	26278052	35
	26278053	35
	26278054	35
	26278055	35
	L2411F01	15
	L2411F02	15
	L2411F03	15
	L2411F04	15
	L2411F05	15
	L2411F06	15

**Parts Index**

Description	Part No.	Page
	L2411F07	15
	L2411F08	15
	L2411F09	15
	L2411F11	15
	L2411F12	15
	L2411F13	15
	L2411F14	15
	L2411F15	15
	L2411F16	15
	L2411F17	15
	L2411F18	15
	L2411F19	15
	L2411F21	15
	L2411F22	15
	L2411F23	15
	L2411F24	17
	L2411F25	17
	L2411F26	17
	L2411F27	17
	L2411F28	17
	L2411F29	17
	L2411F31	17
	L2411F32	17
	L2411F33	17
	L2411F34	17
	L2411F35	17
	L2411F36	17

Description	Part No.	Page
	L2411F37	17
	L2411F38	17
	L2411F39	17
	L2411F41	17
	L2411F42	17
	L2411F43	17
	L2411F44	17
	L2411F45	17
	L2411F46	17
	L2411F47	17
	L2411F48	17
	L2411F49	17
SHORT ENGINE	BA39624	9
SHORT ENGINE - EXCHANGE	BA39624R	9
SLEEVE	26278058	35
	26278059	35
	3381R001	61
	3381R003	61
SMALL END BUSH	L112CF01	13
SOLENOID	26439104	23, 27
	28710354	47
SPACER	24880186	73
	26278039	35
	26278046	35
	3311T001	55
	3312K019	27
	33246117	97

Description	Part No.	Page
SPRING	26278060	35
	26278063	35
	26439047	23
	31754118	51
	L174DF01	21
	L174DF02	21
	L174PF02	15, 111
SPRING WASHER	L341CF01	15
STARTER MOTOR	2873B059	45, 47
STARTER MOTOR - EXCHANGE	2873B059R	45, 47
STARTER RING GEAR	31161153	43
STATOR	28710272	69
STAY	3753H009	61
STRIP	3684U003	67
STUD	2215761	31
	2216711	31
	2313C059	27
	2313H242	63
	L254HF03	81
SUMP	4145H038	49
SUNDRY KIT	28710278	69
	28730400	47
SWITCH	2755F141	105, 105
	2755F142	105, 105
TACHOMETER	2755F051	105
TAPPET	K561AF01	15

Description	Part No.	Page
TEEPIECE	0976042	27
TEMPERATURE GAUGE	2755F031	105
TENSIONER	K522DF08	57
THERMOSTAT	2485613	57, 111
THERMOSTAT HOUSING	4133L007	57
THRUST WASHER	41159001	13
TIE	2817154	67, 109
	2817157	109
TIMING BELT	K614CF03	57
TIMING DEVICE	26439070	23
TIMINGBELT COVER	L781DF03	57
	L781DF05	57
	L781LF12	57
	L781LF22	57
TOOL	21825186	105
	21825187	105
TUBE	2486A966	61
	2486H904	61
	3531A003	97
	L577AF01	49
UNION	0201502	87
UNION NUT	33225412	27, 27
VALVE	26439043	23
	26439100	23
VALVE COLLET	L142WF01	15
	L142WF02	15

**Parts Index**

Description	Part No.	Page
WASHER	0920006	31
	0920052	67
	0920130	49, 97
	0920153	49, 57, 57, 61
	0920154	49, 61, 61, 65, 81
	0921176	113
	2131109	67
	2131A008	11, 31, 67
	2134A004	109
	2134A611	31
	2411101	27, 27, 113
	2411152	11, 17
	2411154	87
	2411156	27, 87, 87, 87, 87, 101, 101
	24880182	73, 73
	26278004	33, 33, 33, 33
	2755F203	105
	K134AF01	27
	L311KF01	27, 87
	L311KF02	19
L311KF04	103	
WATER PIPE	3348N003	63
	3386C002	65
	3427C003	51

Description	Part No.	Page
	3765H031	61
	4126P136	81
WATER PUMP	2488A401	71
	U5MW0067	57
	U5MW0084	57, 111
WATER PUMP - EXCHANGE	U5MW0084R	59, 111
WATER PUMP PULLEY	L113MF02	57
WATER TEMPERATURE SENSOR	2755A007	101
WATER TEMPERATURE SWITCH	2848A106	101
WIRE	32451152	29
WIRING HARNESS	4172H012	67
	4172P004	105
	4172V012	105
	4172V019	105
	4172V022	105
	4172V023	109, 109
WOODRUFF KEY	3611A004	19
	L112TF03	17
	L623CF01	19
	L623CF03	21