



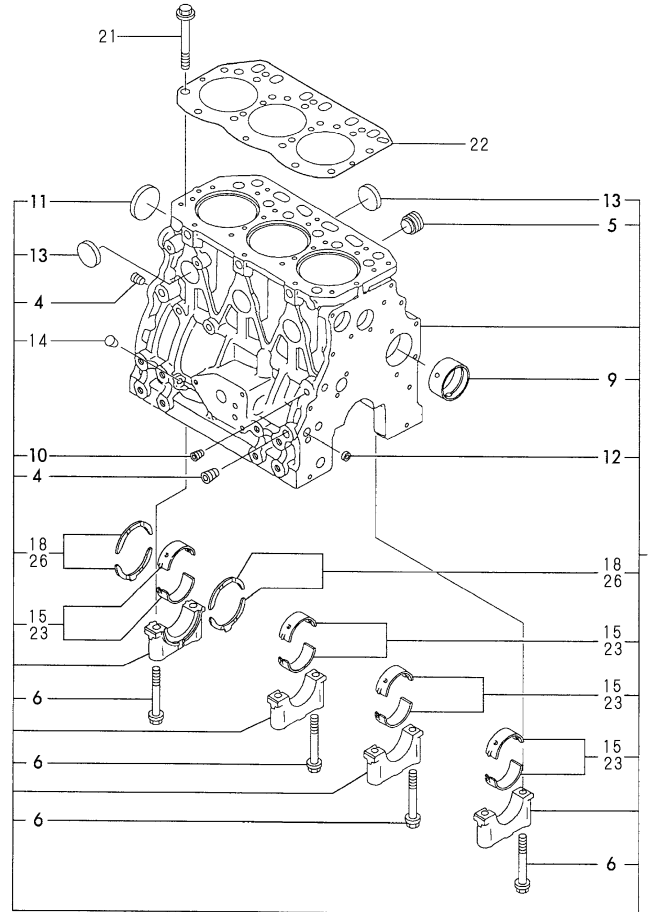
Spare parts catalog- Yanmar engines

(A) = 3JH3E
(B) = 3JH3E(EPA)
(C) = 3JH3CE

Fig.1.CYLINDER BLOCK

Y00R4661

Fig. 1 シリンダブロック
CYLINDER BLOCK



Y00R4661 1.CYLINDER BLOCK

(A)=3JH3E (D)=
(B)=3JH3E(EPA) (E)=
(C)=3JH3CE (F)=

REF.	LEV.	PARTS NO.	DESCRIPTION	QTY						I	R	
				(A)	(B)	(C)	(D)	(E)	(F)			
1	1	729270-01560	BLOCK ASSY, CYLINDER	1	1	1						
4	3	124160-01910	PLUG PT1/4	3	3	3						
5	3	171051-01921	PLUG	1	1	1						
6	3	129150-02020	BOLT, METAL CAP	8	8	8						
9	3	129795-02411	BUSH, CAMSHAFT	1	1	1						
10	3	23876-010000	PLUG PT1/8,SCREW	1	1	1						
11	3	27231-500000	PLUG 50	1	1	1						
I 11-1	3	129001-01250	PLUG 50	1	1	1						N
		(A=*2000.01)	(B=#A00838)	(C=*2000.01)								
12	3	27241-120000	PLUG 12	2	2	2						
13	3	27241-300000	PLUG 30	6	6	6						
14	2	27225-100140	PLUG 10X14	1	1	1						
15	2	129001-02800	MAIN BEARING	4	4	4						
I 15-1	2	129690-02800	MAIN BEARING	4	4	4						R
		(A=*2000.10)	(B=#A01802)	(C=*2000.10)								
18	2	129150-02930	METAL, THRUST	2	2	2						
21	1	129150-01200	STUD, CYL. HEAD	14	14	14						
22	1	129002-01331	GASKET, CYL. HEAD	1	1	1						
23	1	129150-02870	MAIN METAL US=0.25	4	4	4						1
I 23-1	1	129690-02870	MAIN METAL 0.25 U.S	4	4	4						R 1
		(A=*2000.10)	(B=#A01802)	(C=*2000.10)								
26	1	129150-02940	METAL,THRUST.25(2PIE	2	2	2						2

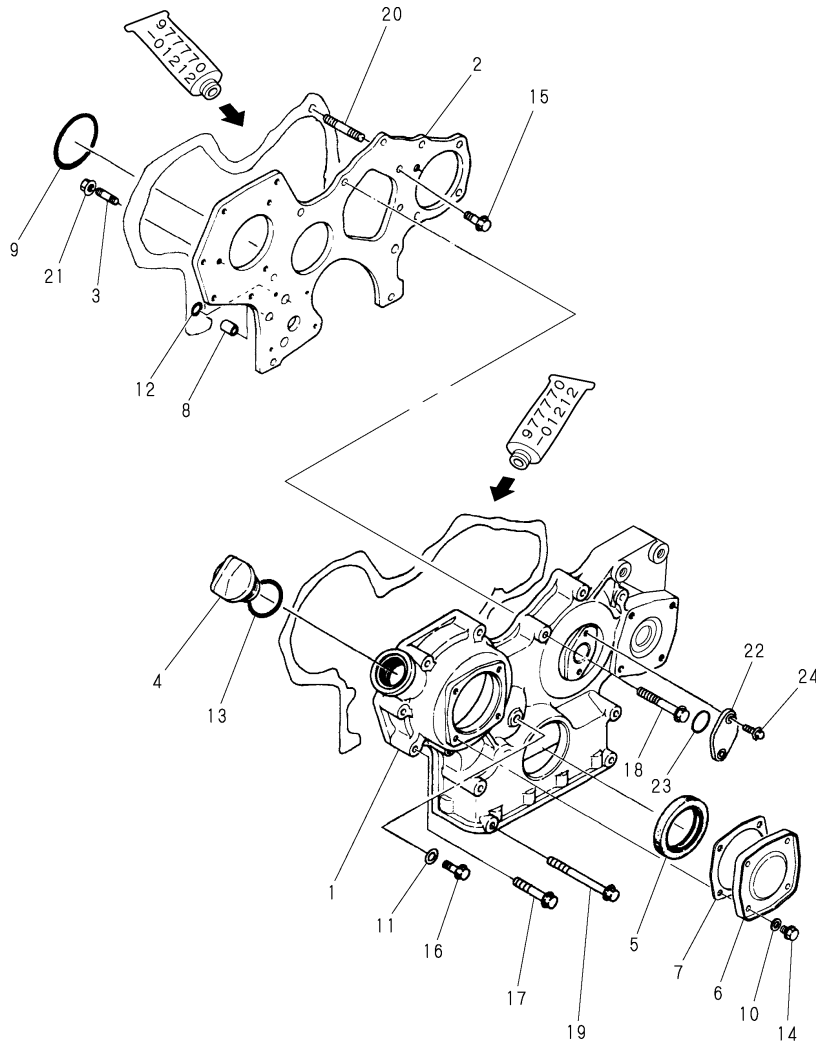
Remarks
 (1)UNDER-SIZE(U.S=0.25)PART.
 (2)OVER-SIZE(O.S=0.25)PART.

Fig.2.GEAR HOUSING

(A)=3JH3E (D)=
 (B)=3JH3E(EPA) (E)=
 (C)=3JH3CE (F)=

Y00R4661

Fig. 2 ギヤケース
 GEAR HOUSING



REF.	LEV.	PARTS NO.	DESCRIPTION	QTY						I	R
				(A)	(B)	(C)	(D)	(E)	(F)		
1	1	129670-01500	GEAR CASE	1	1	1					
2	1	129100-01520	FLANGE,GEAR HOUSING	1	1	1					
3	1	121450-01560	STUD M 8X 22	3	3	3					
4	1	124160-01751	COVER,FILLER	1	1	1					
5	1	129795-01800	SEAL, OIL	1	1	1					
6	1	129150-01870	COVER	1	1	1					
7	1	129150-01881	GASKET, (NON ASB.)	1	1	1					
8	1	129795-01950	PIPE, KNOCK L=18	2	2	2					
9	1	121850-51960	O-RING, F.I.PUMP	1	1	1					
10	1	22190-080002	SEAL WASHER 8S	4	4	4					
11	1	22190-080002	SEAL WASHER 8S	1	1	1					
12	1	24311-000160	O-RING 1A P-16.0	2	2	2					
13	1	24311-000320	O-RING 1A P-32.0	1	1	1					
14	1	26106-080122	BOLT M 8X 12 PLATED	4	4	4					
15	1	26106-080162	BOLT M 8X 16 PLATED	3	3	3					
16	1	26106-080162	BOLT M 8X 16 PLATED	1	1	1					
17	1	26106-080452	BOLT M 8X 45 PLATED	6	6	6					
18	1	26106-080552	BOLT M 8X 55 PLATED	3	3	3					
19	1	26106-080852	BOLT M 8X 85 PLATED	4	4	4					
20	1	26216-080182	STUD M 8X 18 PLATED	1	1	1					
21	1	26306-080002	NUT	3	3	3					
22	1	121023-01550	COVER, BLIND	1	1	1					
23	1	24341-000240	O-RING 1A S-24.0	1	1	1					
24	1	26106-060162	BOLT M 6X 16 PLATED	2	2	2					

Fig.3.FLYWHEEL HOUSING

(A)=3JH3E (D)=
 (B)=3JH3E(EPA) (E)=
 (C)=3JH3CE (F)=

REF.	LEV.	PARTS NO.	DESCRIPTION	QTY						I	R
				(A)	(B)	(C)	(D)	(E)	(F)		
1	1	129100-01580	PARALLEL PIN 8X16	2	2	2					
2	1	129670-01600	FLYWHEEL HOUSING	1	1	1					
3	1	26206-100252	BOLT M10X25	6	6	6					
4	1	26206-100302	BOLT M10X30	4	4	4					
5	1	129100-01580	PARALLEL PIN 8X16	2	2	2					
6	1	129100-01640	CASE ASSY, OIL SEAL	1	1	1					
8	2	129795-01780	SEAL, OIL	1	1	1					
9	1	129486-01670	BOLT M8X30,COLLAR HD	6	6	6					
10	1	26106-080352	BOLT M 8X 35 PLATED	3	3	3					

Y00R4661

Fig. 3 フライホイールハウジング
 FLYWHEEL HOUSING

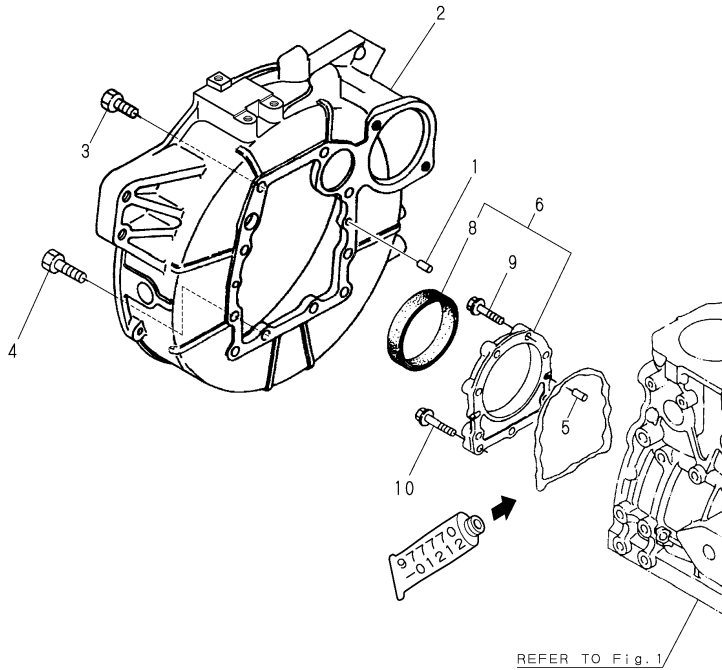
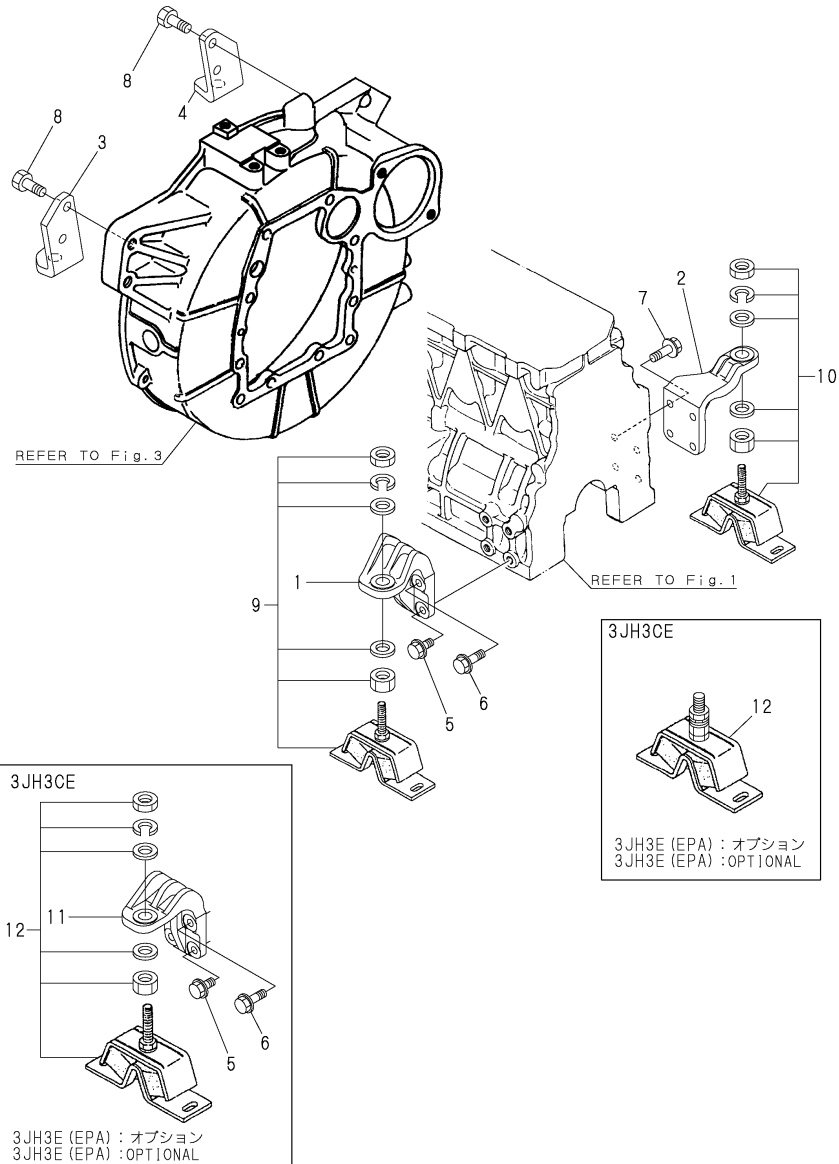


Fig.4.MOUNTING FOOT

(A)=3JH3E (D)=
 (B)=3JH3E(EPA) (E)=
 (C)=3JH3CE (F)=

Y00R4661

Fig.4 マウンティングフット
 MOUNTING FOOT



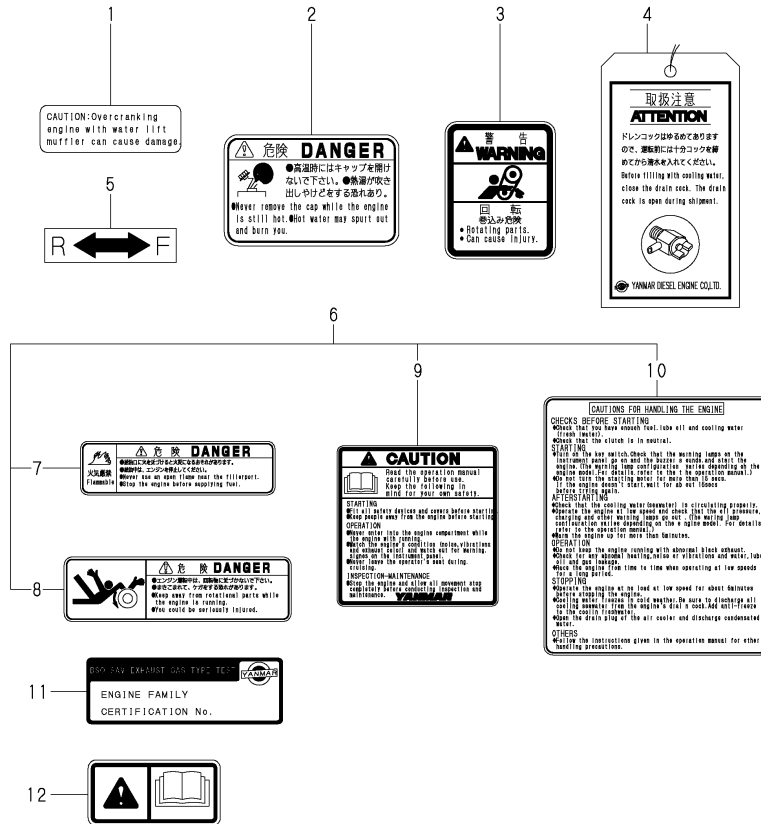
REF.	LEV.	PARTS NO.	DESCRIPTION	QTY						I	R
				(A)	(B)	(C)	(D)	(E)	(F)		
1	1	129270-08100	MOUNTING FOOT,A	1	1						
2	1	129670-08110	MOUNTING FOOT,B	1	1	1					
3	1	129670-08120	MOUNTING FOOT,C	1	1	1					
4	1	129670-08130	MOUNTING FOOT,D	1	1	1					
5	1	26106-100202	BOLT M10X 20 PLATED	2	2	2					
I	5-1	26106-100222	BOLT M10X 22 PLATED	2	2	2					N
		(A=*2000.05) (B=E/#A01302) (C=*2000.05)									
6	1	26106-100302	BOLT M10X 30 PLATED	2	2	2					
7	1	26106-100302	BOLT M10X 30 PLATED	4	4	4					
8	1	26116-120302	BOLT M12X 30 PLATED	4	4	4					
I	8-1	26116-120252	BOLT M12X 25 PLATED	4	4	4					N
		(A=*2000.05) (B=E/#A01302) (C=*2000.05)									
9	1	129670-08340	MOUNTING, FLEX.150	2	2						
10	1	128377-08350	MOUNTING, FLEX.100	2	2						
11	1	129670-08100	MOUNTING FOOT	1	1						
12	1	129670-08350	MOUNTING, FLEX.200	2	2						

Fig.6.LABEL

(A)=3JH3E (D)=
 (B)=3JH3E(EPA) (E)=
 (C)=3JH3CE (F)=

Y00R4661

Fig. 6 銘板 LABEL

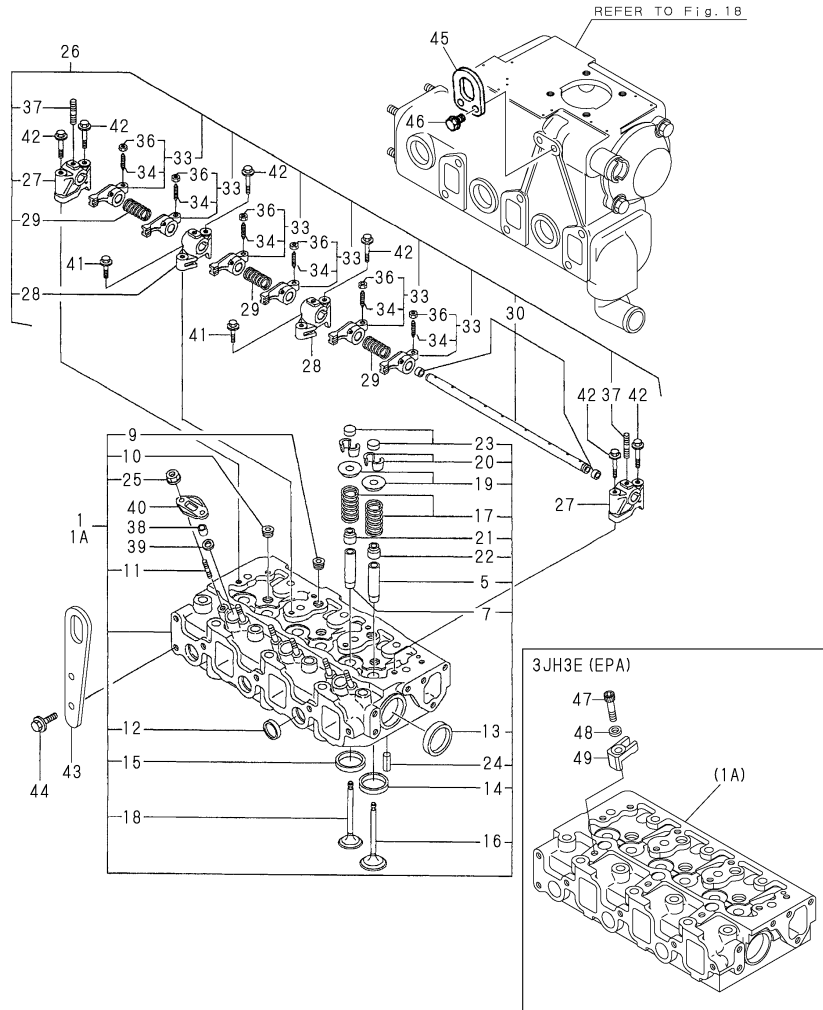


REF.	LEV.	PARTS NO.	DESCRIPTION	QTY						I	R
				(A)	(B)	(C)	(D)	(E)	(F)		
1	1	128171-07150	LABEL	1	1						
I 1-1	1	128377-07150 (A=E/#E20354)	CAUTION LABEL (C=E/#E20354)	1	1	1					R
2	1	128296-07260	LABEL,DANGER	1	1						
I 2-1	1	128377-07260 (A=E/#E20354)	LABEL,DANGER (C=E/#E20354)	1	1	1					R
3	1	128296-07350	LABEL	1	1						
I 3-1	1	128377-07350 (A=E/#E20354)	LABEL,WARNING (C=E/#E20354)	1	1	1					R
4	1	123682-07851	LABEL, CW. TANK	1	1	1					
5	1	177088-02430	LABEL	1	1						
6	1	128296-07190	LABEL,LOOSE PARTS	1	1	1					
7	2	128296-07400	LABEL,DANGER	2	2	2					
8	2	128296-07420	LABEL,DANGER	1	1	1					
9	2	128296-07450	LABEL,DANGER	1	1	1					
10	2	128296-07460	LABEL,DANGER	1	1	1					
I 11	1	129270-07510 (A=FROM 1ST)	LABEL, BSO2 (C=FROM 1ST)	1	1	1					W
I 11-1	1	129270-07560 (A=E/#E20354)	LABEL, BSO2 (C=E/#E20354)	1	1	1					R
I 12	1	196630-12980 (A=FROM 1ST)	LABEL (C=FROM 1ST)	1	1	1					W

Fig.7.CYLINDER HEAD

Y00R4661

Fig. 7 シリンダヘッド
CYLINDER HEAD



(A)=3JH3E (D)=
(B)=3JH3E(EPA) (E)=
(C)=3JH3CE (F)=

REF.	LEV.	PARTS NO.	DESCRIPTION	QTY						I	R	
				(A)	(B)	(C)	(D)	(E)	(F)			
1	1	729202-11710	HEAD ASSY, CYLINDER	1		1						
1A	1	729270-11710	HEAD ASSY, CYLINDER		1							
5	3	120130-11860	GUIDE, VALVE	3	3	3						1
7	3	129150-11810	GUIDE, VALVE	3	3	3						1
9	3	23876-020000	PLUG 1/4	2	2	2						
10	3	23876-030000	PLUG PT3/8,SCREW	3	3	3						
11	3	26216-060202	STUD M 6X 20 PLATED	6		6						
12	3	27241-220000	PLUG 22	3	3	3						
13	3	27241-400000	PLUG 40	2	2	2						
14	3	129470-11080	SEAT, VALVE (SUC	3		3						
14A	3	129270-11080	INSERT,INTAKE		3							
15	3	129470-11090	SEAT, VALVE (EXH	3	3	3						
16	2	129100-11100	VALVE, INTAKE	3		3						
16A	2	129270-11100	VALVE INTAKE		3							
17	2	129795-11120	SPRING, VALVE	6	6	6						
18	2	129100-11110	VALVE, EXHAUST	3	3	3						
19	2	129795-11180	RETAINER, SPRING	6	6	6						
20	2	27310-080001	COTTER 8	6	6	6						
21	2	121400-11340	SEAL, VALVE STEM	3	3	3						
22	2	124460-11340	SEAL, VALVE STEM	3	3	3						
23	2	129150-11370	CAP, VALVE	6	6	6						
24	2	22351-060012	SPRING PIN 6X12	2	2	2						
25	2	26366-060002	NUT M 6	6		6						
26	1	129155-11241	SHAFT ASSY,ROCKER	1		1						
26A	1	129270-11240	SHAFT ASSY		1							
27	2	129155-11260	SUPPORT,ROCKER ARM	2		2						
27A	2	129270-11260	SUPPORT (A)		2							
28	2	129155-11270	SUPPORT,ROCKER ARM	2		2						
28A	2	129270-11270	SUPPORT (B)		2							
29	2	129150-11280	SPRING	3	3	3						
30	2	129150-11290	SHAFT,ROCKER ARM	1	1	1						
33	2	729402-11650	ARM ASSY,ROCKER	6	6	6						
34	3	129150-11230	SCREW, VALVE	6	6	6						
36	3	129150-11750	NUT M8XP1.0	6	6	6						
37	2	26226-080182	STUD M 8X 18 PLATED	3		3						
I 37-1	2	119802-11280	STUD	3		3						R
		(A=*2002.01)	(C=*2002.01)									
37A	2	129270-11290	BOLT 8X18		3							
38	1	119625-11871	PROTECTOR, NOZZLE	3		3						
I 38-1	1	119625-11870	PROTECTOR, NOZZLE	3	3	3						N
		(A=E/#E20456)	(C=E/#E20456)									
39	1	119625-11880	SEAT, NOZZLE	3	3	3						
40	1	119625-11900	RETAINER	3		3						
41	1	26106-080252	BOLT M 8X 25 PLATED	2	2	2						
42	1	26106-080502	BOLT M 8X 50 PLATED	6	6	6						
43	1	129900-07900	LIFTER, ENGINE	2		2						
I 43-1	1	129171-07901	LIFTER, ENGINE	2	2	2						R
		(A=E/#E20217)	(C=E/#E20217)									
44	1	26106-080162	BOLT M 8X 16 PLATED	4	4	4						
45	1	129470-07230	LIFTER, ENGINE	1	1	1						
46	1	26106-080162	BOLT M 8X 16 PLATED	2	2	2						
47	1	26450-080352	BOLT M 8X 35		3							
48	1	120270-54410	WASHER		3							
49	1	129270-11900	RETAINER, VALVE		3							

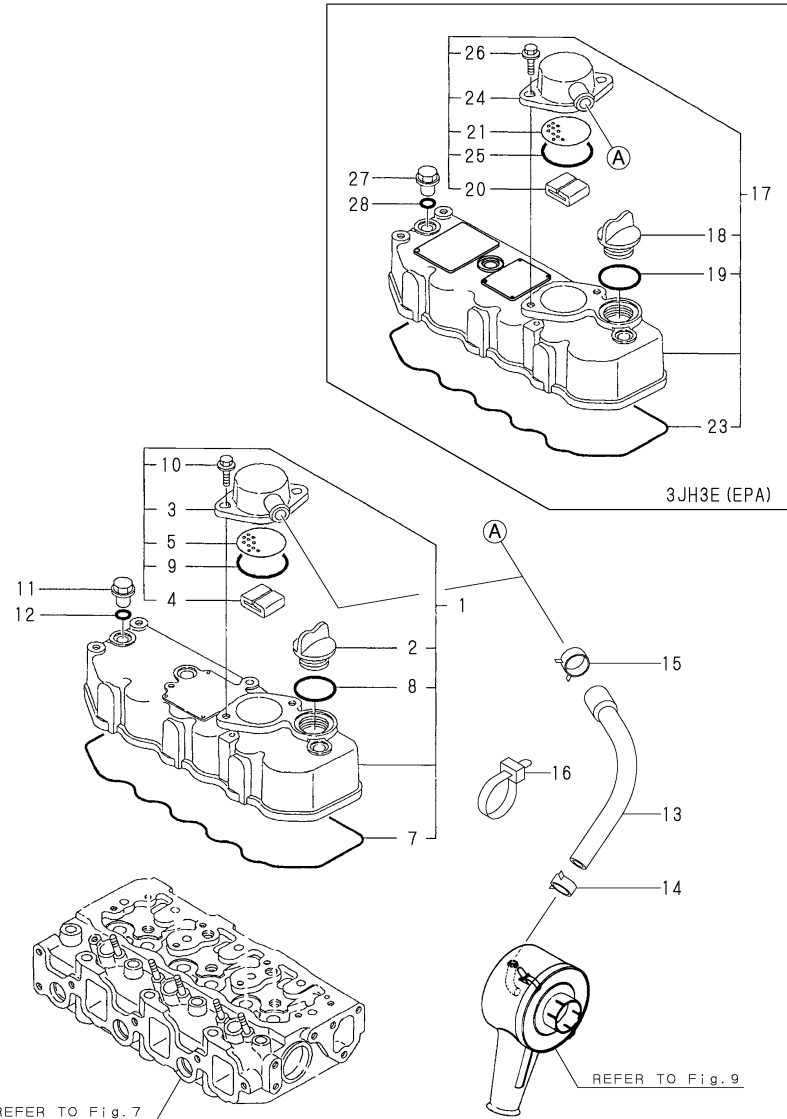
Remarks
(1)REPAIR PART.

Fig.8.BONNET

(A)=3JH3E (D)=
 (B)=3JH3E(EPA) (E)=
 (C)=3JH3CE (F)=

Y00R4661

Fig. 8 ボンネット&ブリーザ
 BONNET & BREATHER

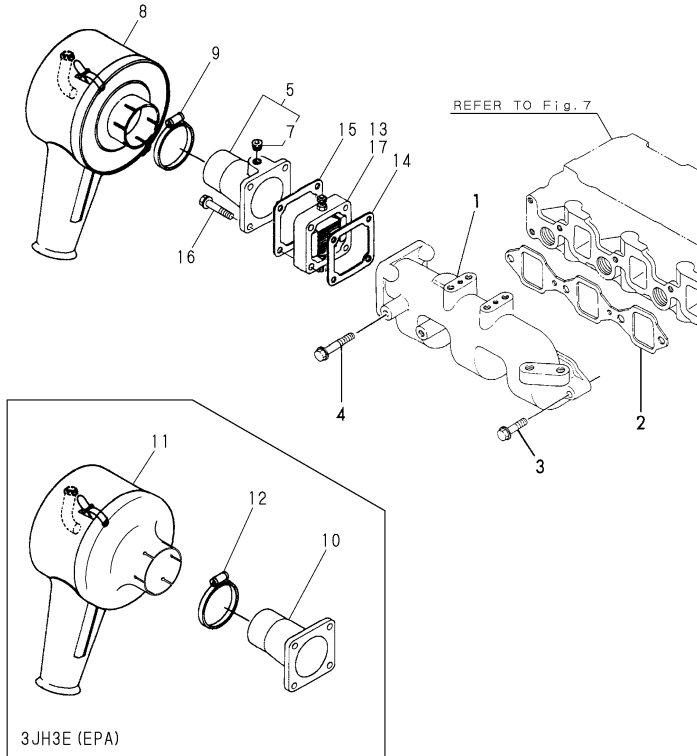


REF.	LEV.	PARTS NO.	DESCRIPTION	QTY						I	R
				(A)	(B)	(C)	(D)	(E)	(F)		
1	1	129100-11350	BONNET ASSY	1	1						
I	1-1	129100-11351 (A=*1999.11)	BONNET ASSY (C=*1999.11)	1	1						N
I	1-2	729132-11521 (A=*1999.11)	BONNET ASSY (C=*1999.11)	1	1						R
2	2	124160-01751	COVER,FILLER	1	1						
3	2	129150-03020	COVER, BREATHER	1	1						
4	2	129150-03070	BAFFLE, BREATHER	1	1						
5	2	129150-03080	PLATE, SHELTER	1	1						
7	2	129150-11310	GASKET, BONNET	1	1						
8	2	24311-000320	O-RING 1A P-32.0	1	1						
9	2	24341-000500	O-RING 1A S-50.0	1	1						
10	2	26106-080162	BOLT M 8X 16 PLATED	2	2						
11	1	124160-11360	KNOB	3	3						
12	1	24311-000120	O-RING 1A P 12.0	3	3						
13	1	129190-03090	PIPE, BREATHER	1	1	1					
14	1	129301-03660	CLAMP 16	1	1	1					
15	1	129410-03990	CLAMP 24	1	1	1					
16	1	121750-59890	CLAMP 140	1	1	1					
17	1	129270-11350	BONNET ASSY				1				
18	2	124160-01751	COVER,FILLER				1				
19	2	24311-000320	O-RING 1A P-32.0				1				
20	2	129150-03070	BAFFLE, BREATHER				1				
21	2	129150-03080	PLATE, SHELTER				1				
23	2	129270-11310	GASKET,COVER				1				
24	2	129150-03020	COVER, BREATHER				1				
25	2	24341-000500	O-RING 1A S-50.0				1				
26	2	26106-080162	BOLT M 8X 16 PLATED				2				
27	1	124160-11360	KNOB				3				
28	1	24311-000120	O-RING 1A P 12.0				3				

Fig.9.SUCTION MANIFOLD

Y00R4661

Fig. 9 吸気マニホールド
SUCTION MANIFOLD



(A)=3JH3E (D)=
(B)=3JH3E(EPA) (E)=
(C)=3JH3CE (F)=

REF.	LEV.	PARTS NO.	DESCRIPTION	QTY						I	R	
				(A)	(B)	(C)	(D)	(E)	(F)			
1	1	129170-12100	MANIFOLD	1	1	1						
2	1	129150-12111	GASKET, (NON-ASB.)	1	1	1						
3	1	26106-080252	BOLT M 8X 25 PLATED	3	3	3						
4	1	26106-080352	BOLT M 8X 35 PLATED	1	1	1						
5	1	129470-12210	JOINT ASSY	1		1						
7	2	23876-010000	PLUG PT1/8,SCREW	1		1						
8	1	129570-12300	SILENCER, INTAKE	1		1						
9	1	23000-054000	CLAMP 54	1		1						
10	1	129270-12200	JOINT			1						
11	1	129270-12300	SILENCER, AIR INTAKE			1						
12	1	23000-070000	CLAMP 70			1						
13	1	129100-77500	HEATER, AIR	1	1	1						
14	1	129100-77510	GASKET, AIR HEATER	1	1	1						
15	1	129470-77590	GASKET, (NON-ASB.)	1	1	1						
16	1	26106-080402	BOLT M 8X 40 PLATED	4	4	4						
17	1	129400-77501	AIR HEATER	1	1	1						1

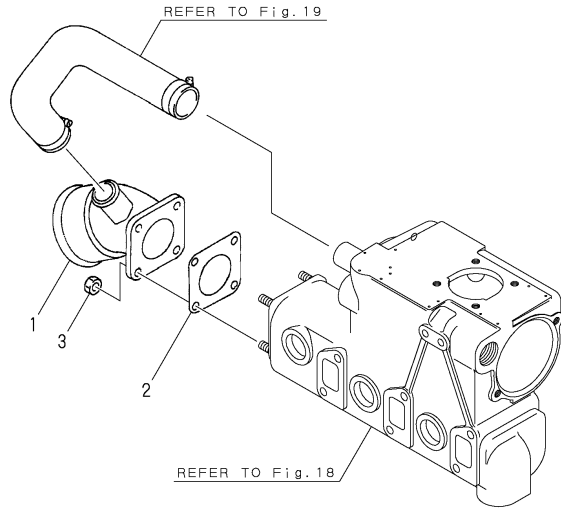
Remarks
(1)EARTH FLOAT TYPE

Fig.10.MIXING ELBOW

(A)=3JH3E (D)=
 (B)=3JH3E(EPA) (E)=
 (C)=3JH3CE (F)=

Y00R4661

Fig. 10 ミキシングエルボ
 MIXING ELBOW



REF.	LEV.	PARTS NO.	DESCRIPTION	QTY						I	R	
				(A)	(B)	(C)	(D)	(E)	(F)			
1	1	129670-13560	MIXING ELBOW	1	1	1						
2	1	129472-18090	GASKET	1	1	1						
3	1	26703-080002	NUT M 8	4	4	4						
4	1	129170-13000	BEND, EXH.	1	1	1						
6	2	129170-13020	INSULATOR	1	1	1						
7	1	129198-13500	ELBOW, MIXING	1	1	1						
9	2	27233-250000	PLUG 25	1	1	1						
10	1	104214-13580	JOINT	1	1	1						
11	1	129190-49130	PIPE	1	1	1						
12	1	123325-49421	JOINT, PIPE	1	1	1						
13	1	23000-035000	CLAMP 35	2	2	2						
I 13-1	1	129670-49500	HOSE CLIP 38	2	2	2						R
				(A=*2000.11)	(B=#A01888)	(C=*2000.11)						
14	1	26703-080002	NUT M 8	4	4	4						
15	1	129470-13541	ELBOW, WATER MIXING	1	1	1						
16	1	129470-49050	PIPE, COOLING WATER	1	1	1						
17	1	123325-49421	JOINT, PIPE	1	1	1						
18	1	129472-13560	PLUG PT3/4	1	1	1						
19	1	26703-080002	NUT M 8	4	4	4						

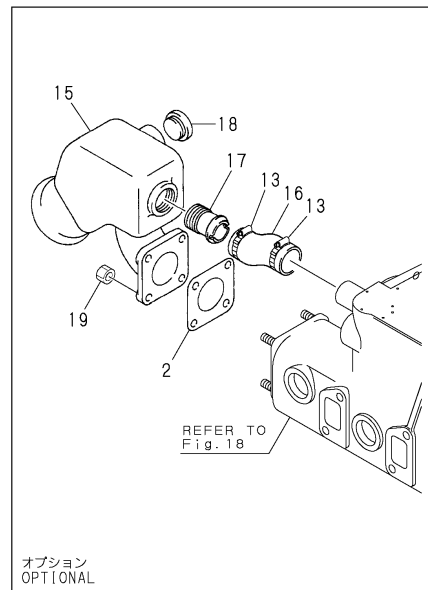
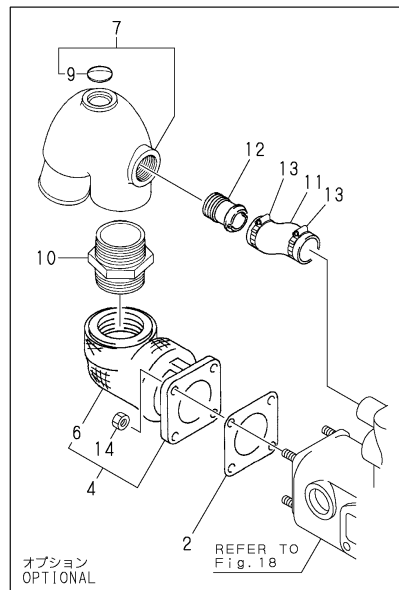
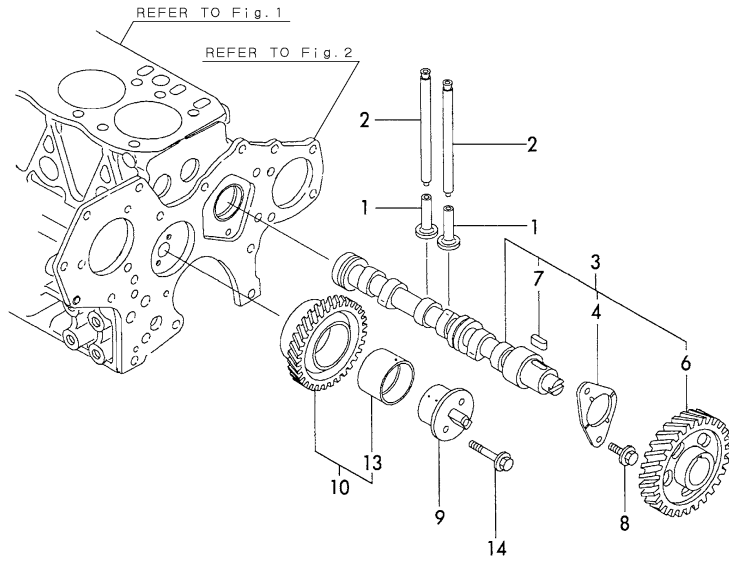


Fig.11.CAMSHAFT

(A)=3JH3E (D)=
 (B)=3JH3E(EPA) (E)=
 (C)=3JH3CE (F)=

Y00R4661

Fig. 11 カムシャフト
 CAMSHAFT

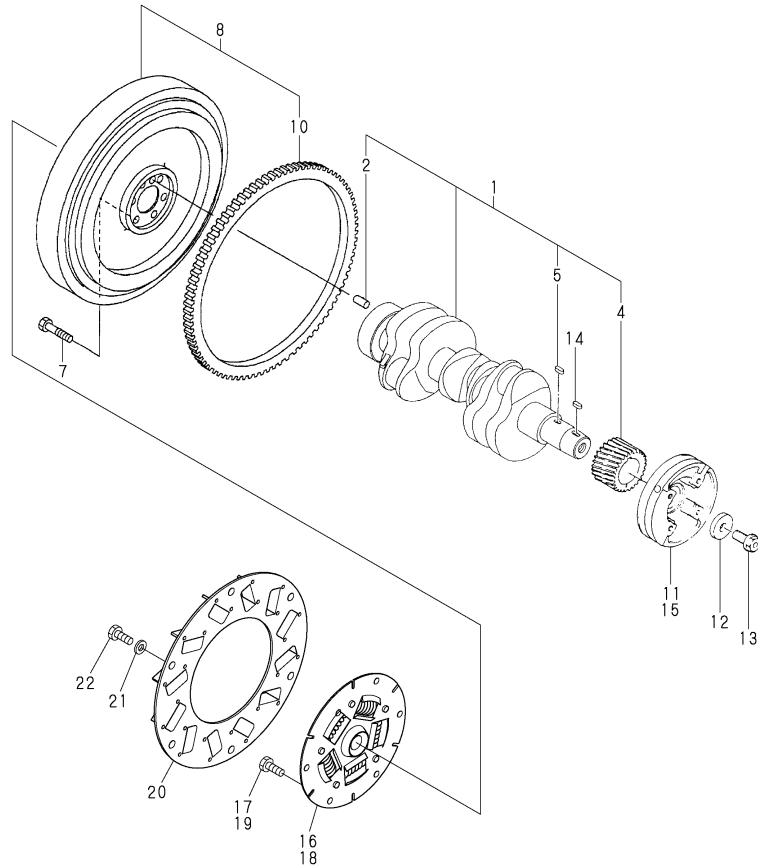


REF.	LEV.	PARTS NO.	DESCRIPTION	QTY						I	R
				(A)	(B)	(C)	(D)	(E)	(F)		
1	1	129150-14200	TAPPET	6	6	6					
2	1	129150-14400	ROD, PUSH	6	6	6					
3	1	129129-14580	CAMSHAFT ASSY	1		1					
3A	1	129270-14000	CAMSHAFT ASSY			1					
4	2	129150-02450	METAL,THRUST(CAM	1	1	1					
6	2	129150-14101	GEAR, CAMSHAFT	1	1	1					
7	2	22512-070140	KEY 7X 14	1	1	1					
8	1	26106-080142	BOLT M 8X 14 PLATED	2	2	2					
9	1	129100-25061	SHAFT, IDLE GEAR	1	1	1					
10	1	129150-25101	GEAR W/BUSH	1	1	1					
13	2	129150-25920	BUSH, IDLE GEAR	1	1	1					
14	1	26106-080452	BOLT M 8X 45 PLATED	2	2	2					

Fig.12.CRANKSHAFT & FLYWHEEL

Y00R4661

Fig. 12 クランクシャフト&フライホイール
CRANKSHAFT & FLYWHEEL



(A)=3JH3E (D)=
(B)=3JH3E(EPA) (E)=
(C)=3JH3CE (F)=

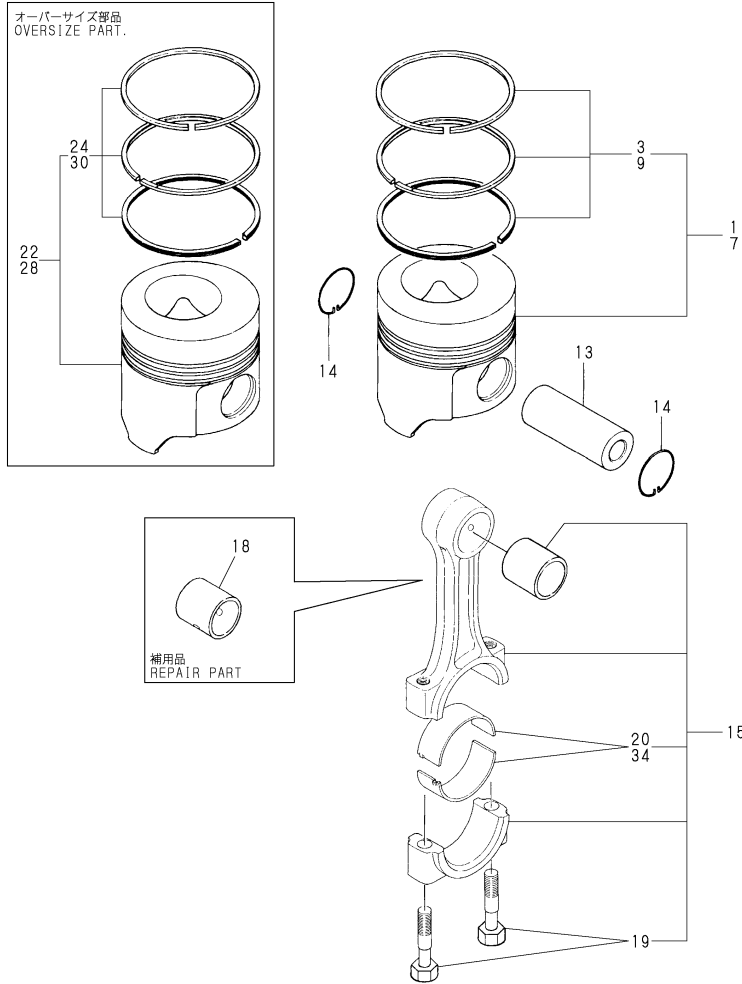
REF.	LEV.	PARTS NO.	DESCRIPTION	QTY						I	R
				(A)	(B)	(C)	(D)	(E)	(F)		
1	1	129001-21000	CRANKSHAFT ASSY	1	1	1					
2	2	129100-01580	PARALLEL PIN 8X16	1	1	1					
4	2	129150-21200	GEAR, CRANKSHAFT	1	1	1					
5	2	22512-070140	KEY 7X 14	1	1	1					
7	1	121111-21501	BOLT, FLYWHEEL	6	6	6					
8	1	129270-21590	FLYWHEEL ASSY	1		1					
8A	1	129270-21591	FLYWHEEL ASSY		1						
10	2	119865-21600	GEAR, RING	1	1	1					
11	1	129171-21650	V-PULLEY	1	1	1					
12	1	129795-21661	WASHER	1	1	1					
13	1	121850-21680	BOLT, V-PULLEY	1	1	1					
14	1	22512-070160	KEY 7X 16	1	1	1					
15	1	129170-21650	PULLY	1	1	1					1
16	1	177070-03520	DISC, DAMPER	1	1						
17	1	26106-080162	BOLT M 8X 16 PLATED	6	6						
18	1	177099-03500	DISK, (NON-ASB.)		1	1					2
19	1	26013-080142	BOLT M 8X 14		6	6					2
20	1	177073-03191	FAN	1	1						
I 20-1	1	129670-81850	FAN (FLYWHEEL	1	1						R
		(A=*1999.08) (B=#A00447)									
21	1	22217-080000	SPRING WASHER 8	6	6						
22	1	26106-080162	BOLT M 8X 16 PLATED	6	6						

Remarks
 (1)OPTIONAL,PTO
 (2)A 3JH3E(EPA) IS AN OPTIONAL.

Fig.13.PISTON & CONNECTING ROD

Y00R4661

Fig. 13 ピストン&コネクティングロッド
PISTON & CONNECTING ROD



(A)=3JH3E (D)=
(B)=3JH3E(EPA) (E)=
(C)=3JH3CE (F)=

REF.	LEV.	PARTS NO.	DESCRIPTION	QTY						I	R
				(A)	(B)	(C)	(D)	(E)	(F)		
1	1	129670-22000	PISTON CMP	3	3						
3	2	129002-22510	RING SET, PISTON	3	3						
7	1	129270-22000	PISTON W/RINGS		3						
I	7-1	129290-22000 (B=E/#A01802)	PISTON W/RINGS		3						R
9	2	129002-22510	RING SET, PISTON		3						
I	9-1	129690-22510 (B=E/#A01802)	RING SET, PISTON		3						R
13	1	129202-22300	PIN,PISTON	3	3	3					
14	1	22252-000260	CIRCLIP 26	6	6	6					
15	1	729402-23100	ROD ASSY, CONNECTING	3	3	3					
18	2	129100-23910	BUSH, PISTON PIN	3	3	3					1
19	2	121550-23200	BOLT, CONNECTING ROD	6	6	6					
20	2	129150-23600	BEARING, CRANKPIN	3	3	3					
22	1	129670-22090	PISTON O.S 0.25	3	3						2
24	2	129002-22950	RING SET O.S=0.25	3	3						2
28	1	129270-22090	PISTON CMP(OS 0.25		3						2
30	2	129002-22950	RING SET O.S=0.25		3						2
34	1	129150-23610	METAL.PIN US=0.25	3	3	3					3

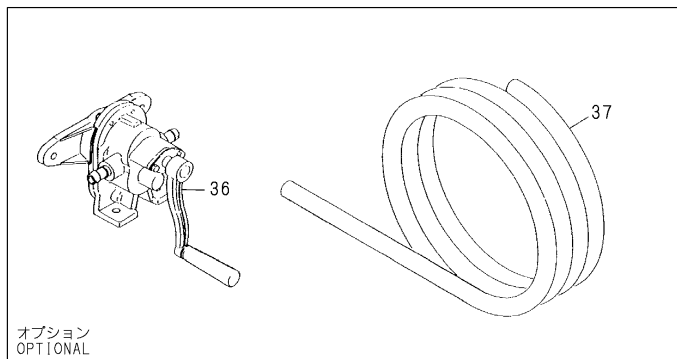
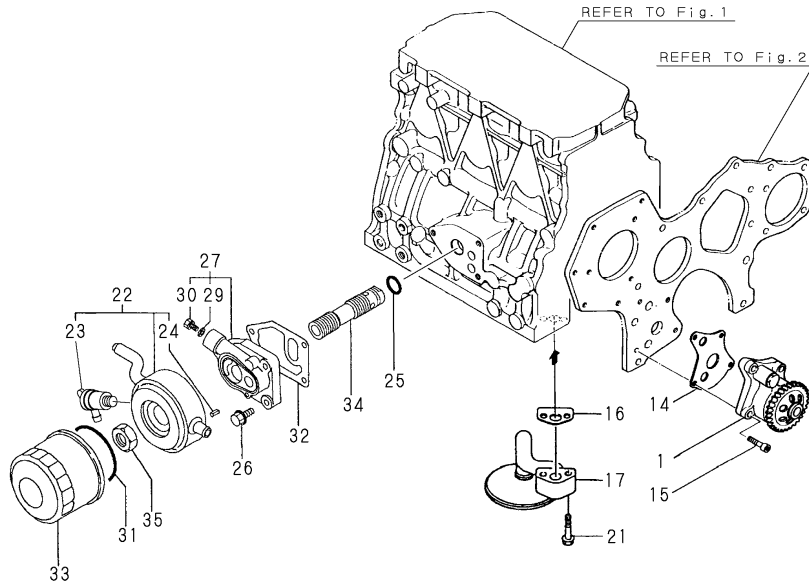
Remarks
(1)REPAIR PART
(2)OVER SIZE(O.S=0.25)PART.
(3)UNDER SIZE(U.S=0.25)PART.

Fig.14.LUB.OIL SYSTEM

(A)=3JH3E (D)=
 (B)=3JH3E(EPA) (E)=
 (C)=3JH3CE (F)=

Y00R4661

Fig. 14 潤滑油ポンプ
 LUB.OIL PUMP



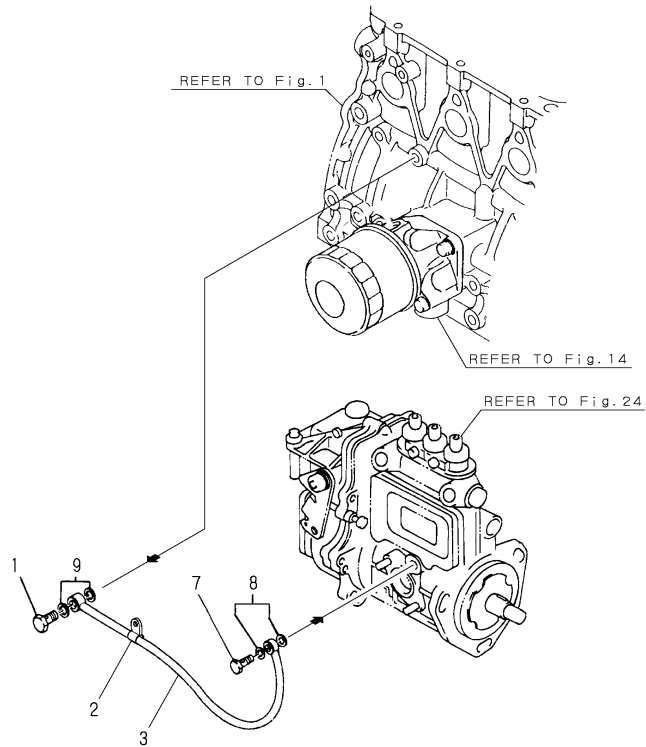
REF.	LEV.	PARTS NO.	DESCRIPTION	QTY						I	R
				(A)	(B)	(C)	(D)	(E)	(F)		
1	1	129670-32000	PUMP LUB.OIL ASSY	1	1	1					
14	1	129150-32020	GASKET, L.O. PUMP	1	1	1					
15	1	26450-060252	BOLT M 6X 25	1	1	1					
16	1	129150-35041	GASKET, (NON-ASB.)	1	1	1					
17	1	129150-35091	PIPE ASSY, OIL INLET	1	1	1					
21	1	26106-080352	BOLT M 8X 35 PLATED	2	2	2					
22	1	129270-33000	OIL COOLER ASSY	1	1	1					
23	2	129270-33050	DRAIN COCK CMP	1	1	1					
24	2	129120-33040	SPRING PIN	2	2	2					
25	1	24311-000160	O-RING 1A P-16.0	1	1	1					
26	1	26106-080252	BOLT M 8X 25 PLATED	3	3	3					
27	1	129120-35001	BRACKET ASSY COOLER	1	1	1					
29	2	23414-100000	GASKET 10, ROUND	1	1	1					
30	2	23881-100002	PLUG 10	1	1	1					
31	1	129120-35110	GASKET 80	1	1	1					
32	1	129120-35121	GASKET, (NON-ASB.)	1	1	1					
33	1	119305-35150	FILTER, LUB. OIL	1	1	1					
34	1	129407-35300	STUD, LUB.OIL FILTER	1	1	1					
35	1	129150-35350	NUT	1	1	1					
36	1	124413-39100	PUMP, OIL SUMP	1	1	1					
37	1	43720-001220	PIPE	1	1	1					

Fig.15.LUB.OIL PIPE

(A)=3JH3E (D)=
 (B)=3JH3E(EPA) (E)=
 (C)=3JH3CE (F)=

Y00R4661

Fig. 15 潤滑油パイプ
 LUB.OIL PIPE



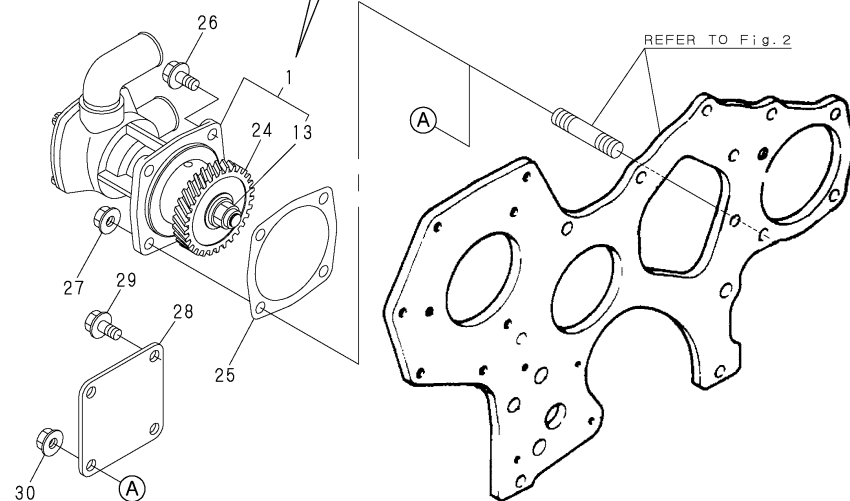
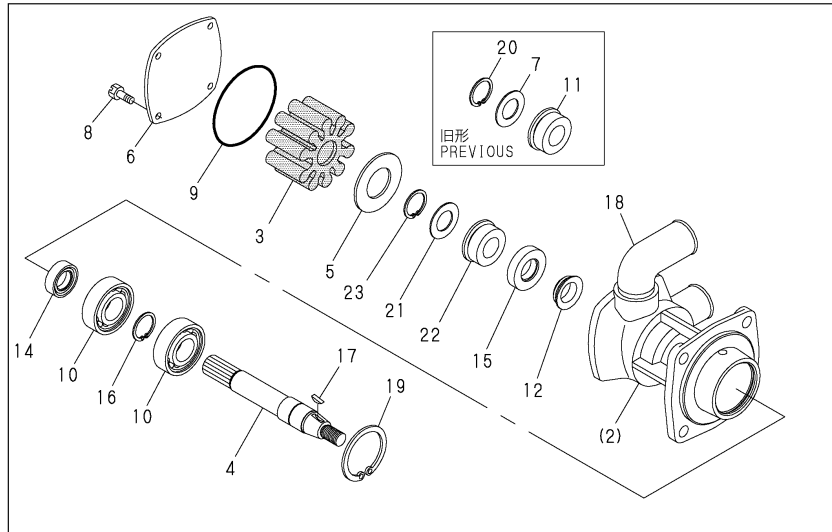
REF.	LEV.	PARTS NO.	DESCRIPTION	QTY						I	R
				(A)	(B)	(C)	(D)	(E)	(F)		
1	1	124160-39140	BOLT 10, PIPE JOINT	1	1	1					
2	1	124450-39240	RETAINER, PIPE	1	1	1					
3	1	129150-39450	PIPE ASSY, LUB. OIL	1	1	1					
7	1	124550-59820	BOLT 8, PIPE JOINT	1	1	1					
8	1	22190-080002	SEAL WASHER 8S	2	2	2					
9	1	23414-100000	GASKET 10, ROUND	2	2	2					

Fig.16.COOLING SEA WATER PUMP

(A)=3JH3E (D)=
 (B)=3JH3E(EPA) (E)=
 (C)=3JH3CE (F)=

Y00R4661

Fig. 16 冷却水ポンプ (海水)
 COOLING SEA WATER PUMP



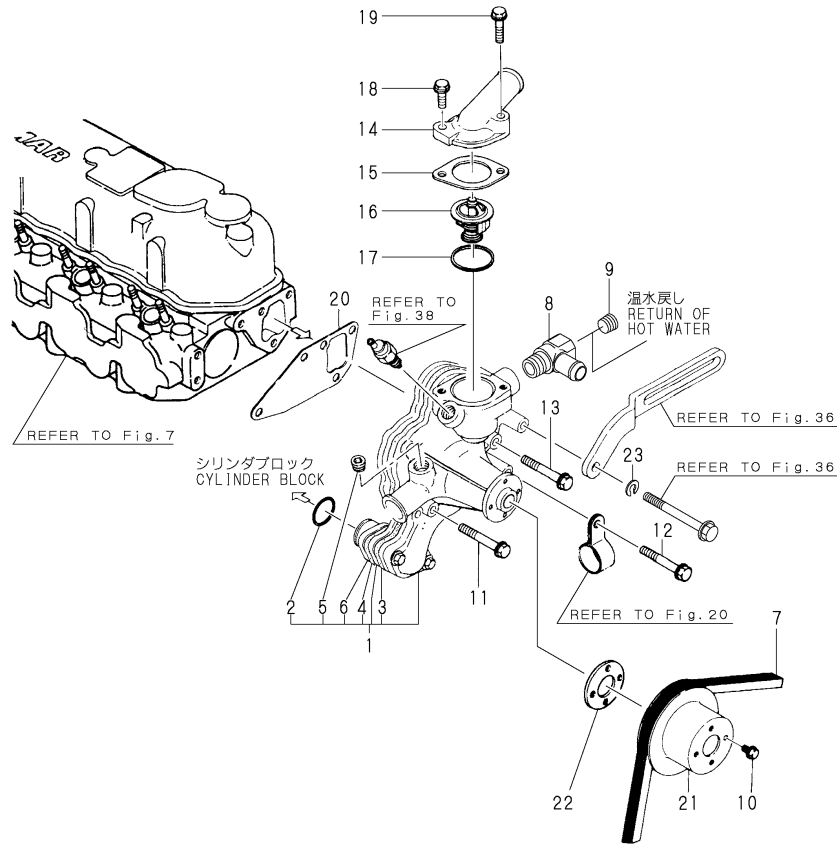
REF.	LEV.	PARTS NO.	DESCRIPTION	QTY						I	R
				(A)	(B)	(C)	(D)	(E)	(F)		
1	1	129670-42500	PUMP,SEA WATER	1	1	1					
1-1	1	129670-42501 (A=*1999.10) (B=E/#A00583) (C=*1999.10)	PUMP ASSY, C. WATER	1	1	1					R
1-2	1	129670-42510 (A=*2000.02) (B=E/#A00948) (C=*2000.02)	PUMP ASSY, C. WATER	1	1	1					N
3	2	129670-42530	IMPELLER	1	1	1					
4	2	X0146531	SHAFT	1	1	1					
5	2	129670-42540	PLATE	1	1	1					
6	2	129670-42520	COVER	1	1	1					
7	2	X0145680 (A=*2000.02) (B=E/#A00948) (C=*2000.02)	WASHER	1	1	1					Z
8	2	X0504550	BOLT	4	4	4					
8-1	2	119175-42620 (A=FROM 1ST) (B=FROM 1ST) (C=FROM 1ST)	SCREW	4	4	4					R
9	2	X0506590	O-RING	1	1	1					
10	2	X0508129	BEARING	2	2	2					
11	2	X0520115 (A=*2000.02) (B=E/#A00948) (C=*2000.02)	SEAL, MECHANICAL	1	1	1					Z
12	2	X0519503	V-RING	1	1	1					
13	2	X0505526	LOCKNUT	1	1	1					
14	2	X0529105	LIP SEAL	1	1	1					
15	2	X0529530	LIP SEAL	1	1	1					
16	2	X053421	CIRCLIP	1	1	1					
17	2	129670-42580	KEY	1	1	1					
18	2	X01357681	CONNECTION	1	1	1					
19	2	X0534130	CIRCLIP	1	1	1					
20	2	X0534105 (A=*2000.02) (B=E/#A00948) (C=*2000.02)	CIRCLIP	1	1	1					Z
21	2	129670-42550 (A=*2000.02) (B=E/#A00948) (C=*2000.02)	WASHAER	1	1	1					W
22	2	129670-42560 (A=*2000.02) (B=E/#A00948) (C=*2000.02)	MECHANICAL SHEEL	1	1	1					W
23	2	129670-42570 (A=*2000.02) (B=E/#A00948) (C=*2000.02)	CIRCLIP	1	1	1					W
24	1	129670-42700	GEAR	1	1	1					
25	1	129150-01881	GASKET, (NON ASB.)	1	1	1					
26	1	26106-080162	BOLT M 8X 16 PLATED	3	3	3					
27	1	26306-080002	NUT	1	1	1					
28	1	124240-01871	COVER, HO-P	1	1	1					
29	1	26106-080162	BOLT M 8X 16 PLATED	3	3	3					
30	1	26306-080002	NUT	1	1	1					

Fig.17.COOLING FRESH WATER PUMP

(A)=3JH3E (D)=
 (B)=3JH3E(EPA) (E)=
 (C)=3JH3CE (F)=

Y00R4661

Fig. 17 冷却水ポンプ (清水)
 COOLING FRESH WATER PUMP



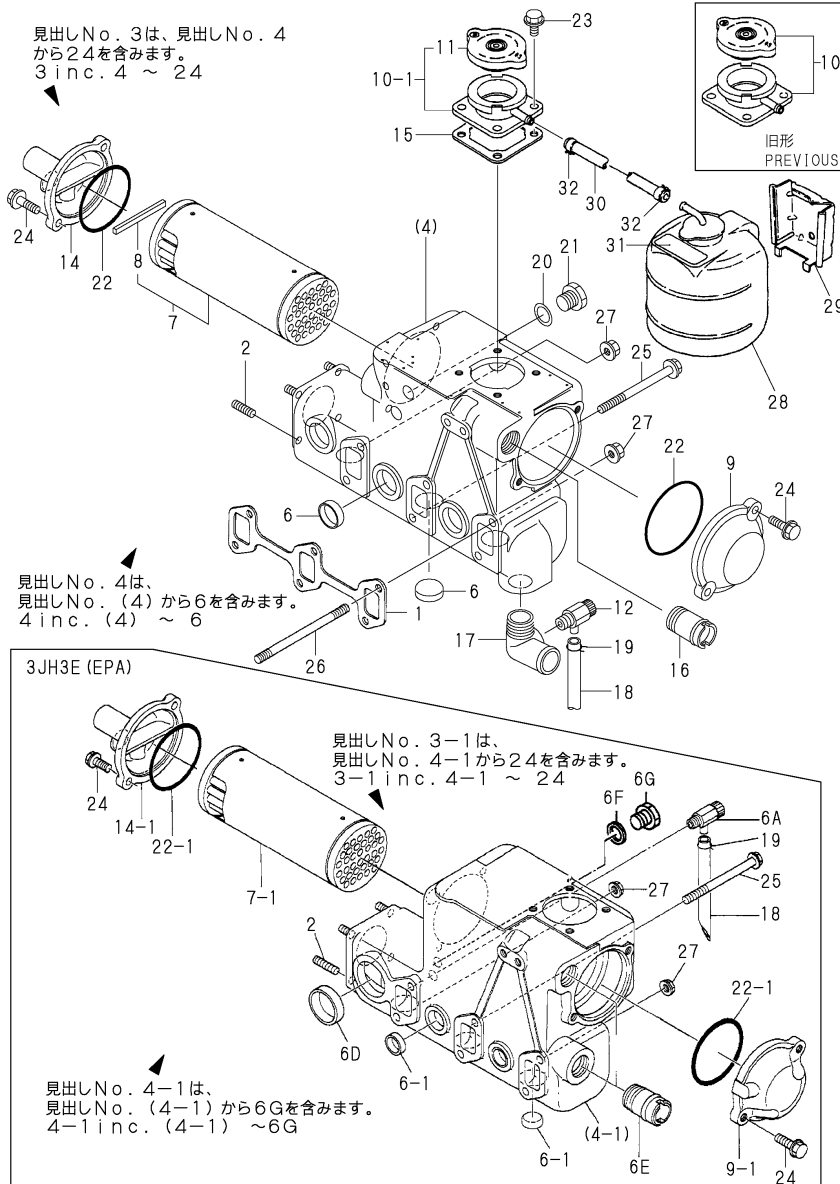
REF.	LEV.	PARTS NO.	DESCRIPTION	QTY						I	R
				(A)	(B)	(C)	(D)	(E)	(F)		
1	1	129470-42001	PUMP ASSY, C.F.WATER	1	1	1					
I 1-1	1	129470-42002 (A=*2001.11) (B=E/#A02855) (C=*2001.11)	PUMP ASSY, C.F.WATER	1	1	1					R
2	2	129150-42320	O-RING	1	1	1					
I 2-1	2	129054-42320 (A=*2001.11) (B=E/#A02855) (C=*2001.11)	O-RING	1	1	1					N
I 3	2	129470-42050	GASKET	1	1	1					
I 3-1	2	129052-42050 (A=*2001.11) (B=E/#A02855) (C=*2001.11)	GASKET	1	1	1					R
I 4	2	129470-42310	GASKET	1	1	1					
I 4-1	2	129052-42310 (A=*2001.11) (B=E/#A02855) (C=*2001.11)	GASKET, OUTER	1	1	1					R
5	2	124085-11690	PLUG NPT 3/8	3	3	3					
I 5-1	2	23875-030000 (A=*2001.11) (B=E/#A02855) (C=*2001.11)	PLUG PT3/8,STEEL	3	3	3					S
6	2	129150-42300	PIPE, C. W. PUMP	1	1	1					
7	1	171087-42280	V-BELT	1	1	1					
I 7-1	1	25132-004500 (B=E/#A02416)	V-BELT A:45 INCH			1					S
8	1	129270-49410	JOINT,CFW-P	1	1	1					
9	1	23876-030000	PLUG PT3/8,SCREW	1	1	1					
10	1	26106-060102	BOLT M 6X 10 PLATED	4	4	4					
11	1	26106-080552	BOLT M 8X 55 PLATED	2	2	2					
12	1	26106-080552	BOLT M 8X 55 PLATED	1	1	1					
13	1	26106-080552	BOLT M 8X 55 PLATED	1	1	1					
14	1	129470-49540	COVER, THERMOSTAT	1	1	1					
15	1	129795-49551	GASKET, (NON-ASB.)	1	1	1					
16	1	129470-49801	THERMOSTAT	1	1	1					
17	1	129470-49810	GASKET, (NON-ASB.)	1	1	1					
18	1	26106-080252	BOLT M 8X 25 PLATED	1	1	1					
19	1	26106-080352	BOLT M 8X 35 PLATED	1	1	1					
20	1	129150-42020	GASKET, C.W. PUMP	1	1	1					
21	1	129550-42350	V-PULLEY(D=120)	1	1	1					
22	1	129156-44760	WASHER	1	1	1					
23	1	22217-080000	SPRING WASHER 8	1	1	1					

Fig.18.COOLING FRESH WATER COOLER

(A)=3JH3E (D)=
 (B)=3JH3E(EPA) (E)=
 (C)=3JH3CE (F)=

Y00R4661

Fig. 18 清水クーラ
 COOLING FRESH WATER COOLER



REF.	LEV.	PARTS NO.	DESCRIPTION	QTY						I	R
				(A)	(B)	(C)	(D)	(E)	(F)		
1	1	129150-13110	GASKET, EXH.MANIFOLD	1	1	1					
2	1	128170-13600	STUD	4	4	4					
3	1	129270-44900	HEAT EXCHANGER ASSY	1	1	1					
I	3-1	129170-44900	EXCHAGER ASSY CFW (B=E/#A02416)		1						S
4	2	129270-44000	BODY CMP,HEAT EXCHAN	1	1	1					
I	4-1	129170-44000	COOLER, FRESH WATER (B=E/#A02416)		1						S
6	3	27241-280000	PLUG 28	6	6	6					
I	6-1	27241-280000	PLUG 28 (B=E/#A02416)		7						K
6A	3	120130-49350	COCK 1/4		1						
6A-1	3	119620-49290	COCK ASSY 1/4 (B=E/#A00247)		1						N
I	6D	27241-400000	PLUG 40 (B=E/#A02416)		1						W
6E	3	124160-49480	JOINT, PIPE		2						
6F	3	23414-170000	GASKET 17, ROUND		1						
6G	3	23894-030002	PLUG G3/8,HEX.		1						
7	2	129270-44400	CORE ASSY,CFW COOLER	1	1	1					
I	7-1	129170-44110	CORE ASSY (B=E/#A02416)		1						S
8	3	129270-44490	SEALING (A=FROM 1ST) (B=FROM 1ST) (C=FROM 1ST)	1	1	1					W
9	2	129670-44420	COVER B,CFW COOLER	1	1	1					
I	9-1	129470-44450	COVER (B) (B=E/#A02416)		1						S
10	2	129670-44600	FILLER CMP	1	1	1					
I	10-1	129171-44600	FILLER ASSY (A=*2001.01) (B=E/#A02014) (C=*2001.01)	1	1	1					R
I	11	129107-44590	CAP, RADIATOR (A=*2001.01) (B=E/#A02014) (C=*2001.01)	1	1	1					W
12	2	120130-49350	COCK 1/4	2	2						
I	12-1	119620-49290	COCK ASSY 1/4 (A=*1999.04) (C=*1999.04)	2	2						N
14	2	129670-44410	COVER A,CFW COOLER	1	1	1					
I	14-1	129470-44440	COVER (A) (B=E/#A02416)		1						S
15	2	120445-44640	GASKET	1	1	1					
16	2	124160-49480	JOINT, PIPE	1	1						
17	2	129171-49480	JOINT	1	1	1					
I	17-1	129270-49480	ELBOW PT 3/4 (A=E/#E20462) (C=E/#E20462)	1	1	1					R
I	17-2	129270-49480	ELBOW PT 3/4 (B=E/#A02416)		1						Z
18	2	23061-120300	PIPE 12X 300	1	1	1					
19	2	23080-013000	CLAMP 13,HOSE	1	1	1					
20	2	23414-170000	GASKET 17, ROUND	1	1						
21	2	23894-030002	PLUG G3/8,HEX.	1	1						
22	2	24321-000800	O-RING 1A G-80.0	2	2	2					
I	22-1	24321-000750	O-RING 1A G-75.0 (B=E/#A02416)		2						S
23	2	26106-080162	BOLT M 8X 16 PLATED	4	4	4					
24	2	26106-080252	BOLT M 8X 25 PLATED	4	4	4					

++ CONTINUE ++

Fig.18.COOLING FRESH WATER COOLER

(A)=3JH3E (D)=
 (B)=3JH3E(EPA) (E)=
 (C)=3JH3CE (F)=

REF.	LEV.	PARTS NO.	DESCRIPTION	QTY						I	R
				(A)	(B)	(C)	(D)	(E)	(F)		
25	1	26106-081002	BOLT M 8X100 PLATED	4	4	4					
26	1	26216-081002	STUD M 8X100 PLATED	2	2	2					
27	1	26306-080002	NUT	2	2	2					
28	1	128397-44500	TANK ASSY, RESERVE	1	1	1					
29	1	128397-44510	BRACKET, SUB-TANK	1	1	1					
30	1	124790-44560	PIPE, C. WATER	1	1	1					
31	1	129670-44570	LABEL	1	1	1					
32	1	23010-013000	CLAMP 13	2	2	2					

Y00R4661

Fig. 18 清水クーラ
 COOLING FRESH WATER COOLER

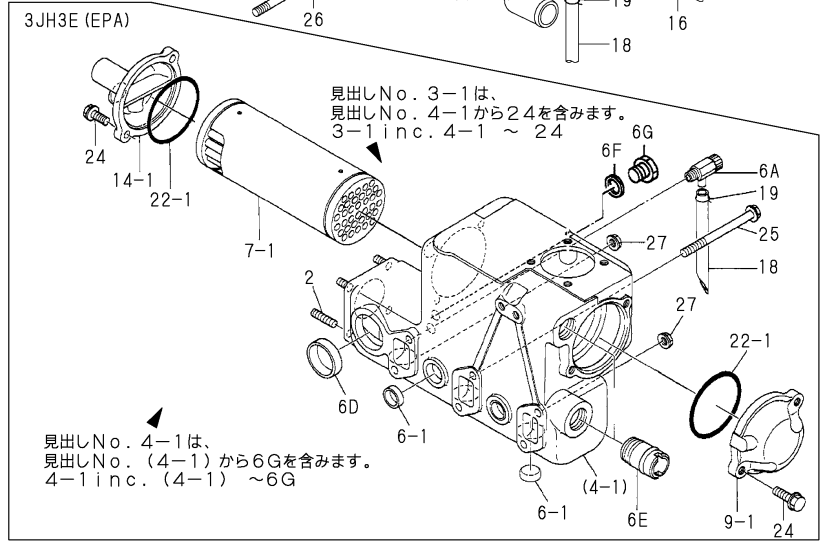
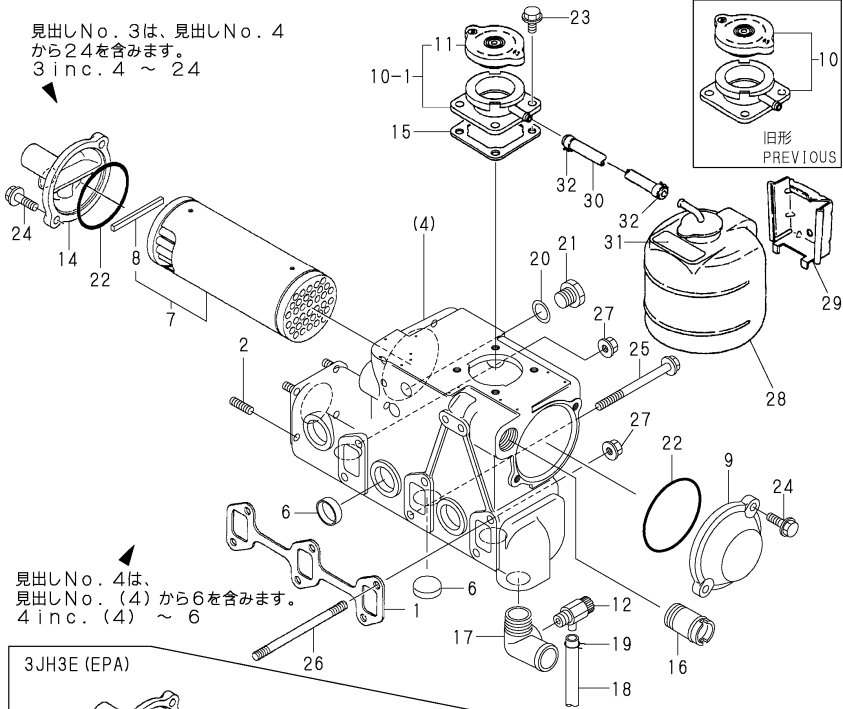
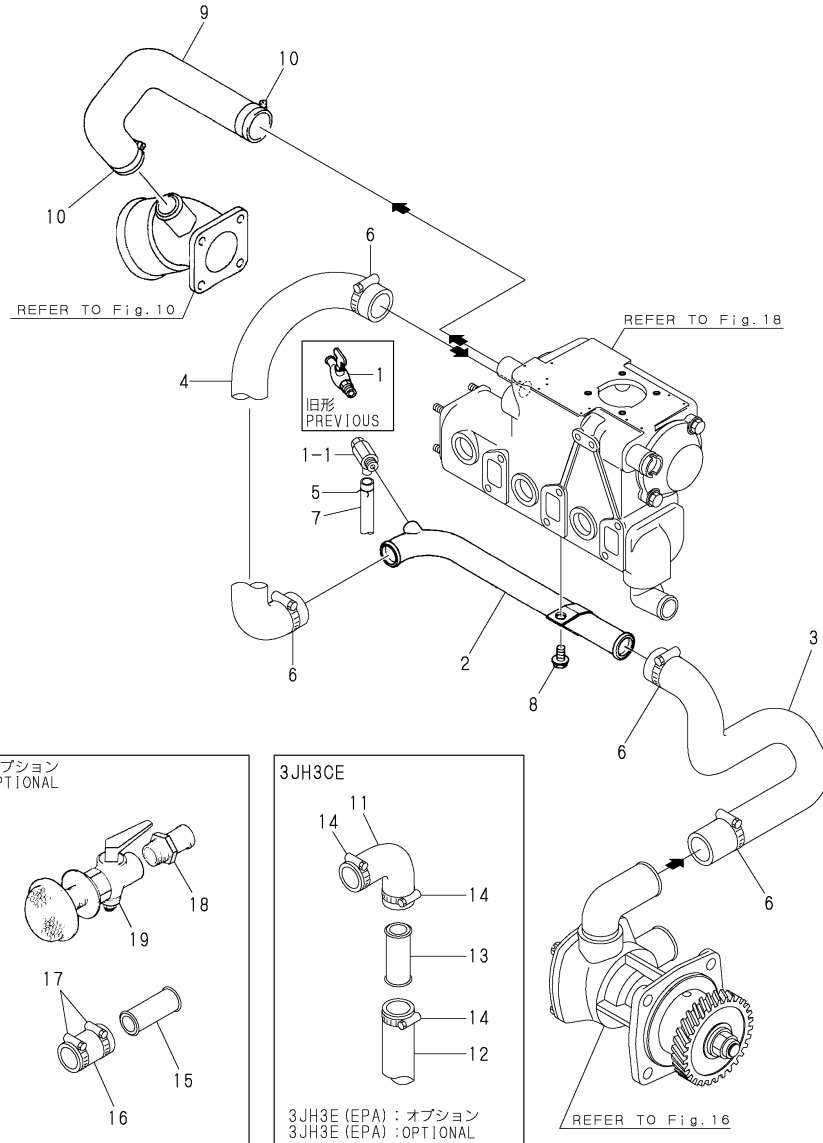


Fig.19.COOLING SEA WATER PIPE

(A)=3JH3E (D)=
 (B)=3JH3E(EPA) (E)=
 (C)=3JH3CE (F)=

Y00R4661

Fig. 19 冷却水パイプ (海水)
 COOLING SEA WATER PIPE



REF.	LEV.	PARTS NO.	DESCRIPTION	QTY						I	R
				(A)	(B)	(C)	(D)	(E)	(F)		
1	1	128695-44090	COCK PT1/8	1	1	1					
I 1-1	1	129670-49290 (A=*1999.07) (B=E/#A00409) (C=*1999.07)	COCK R1/8 ASSY	1	1	1					N
2	1	129170-49010	PIPE, C. SEA WATER	1	1	1					
3	1	129670-49010	PIPE A, COOLING WATER	1	1	1					
I 3-1	1	129670-49110 (A=*2000.10) (B=E/#A01802) (C=*2000.10)	PIPE, CSW(A)	1	1	1					R
4	1	129475-49020	PIPE	1	1	1					
I 4-1	1	129270-49040 (A=*2000.10) (B=E/#A01802) (C=*2000.10)	PIPE, CSW	1	1	1					R
5	1	124460-77680	RETAINER	1	1	1					
6	1	23000-035000	CLAMP 35	4	4	4					
I 6-1	1	129670-49500 (A=*2000.11) (B=E/#A01888) (C=*2000.11)	HOSE CLIP 38	4	4	4					R
7	1	23061-070300	PIPE 7X 300	1	1	1					
8	1	26106-080162	BOLT M 8X 16 PLATED	1	1	1					
9	1	129475-49040	PIPE	1	1	1					
I 9-1	1	129670-49150 (A=*2000.10) (B=E/#A01802) (C=*2000.10)	PIPE, CSW(D)	1	1	1					R
10	1	23000-035000	CLAMP 35	2	2	2					
I 10-1	1	129670-49500 (A=*2000.11) (B=E/#A01888) (C=*2000.11)	HOSE CLIP 38	2	2	2					R
11	1	129474-49010	PIPE	1	1						
12	1	129170-49060	PIPE, COOLING WATER	1	1						
13	1	129490-49070	JOINT	1	1	1					
14	1	23000-035000	CLAMP 35	4	4						
I 14-1	1	129670-49500 (B=E/#A01888) (C=*2000.11)	HOSE CLIP 38	4	4						R
15	1	129490-49070	JOINT	1	1	1					
16	1	129171-49900	JOINT, RUBBER	1	1	1					
17	1	23000-035000	CLAMP 35	2	2	2					
I 17-1	1	129670-49500 (A=*2000.11) (B=E/#A01888) (C=*2000.11)	HOSE CLIP 38	2	2	2					R
18	1	43530-500570	JOINT	1	1	1					
19	1	43662-025030	COCK ASSY, SEA WATER	1	1	1					

Fig.20.COOLING FRESH WATER PIPE

(A)=3JH3E (D)=
 (B)=3JH3E(EPA) (E)=
 (C)=3JH3CE (F)=

Y00R4661

Fig. 20 冷却水パイプ (清水)
 COOLING FRESH WATER PIPE

REF.	LEV.	PARTS NO.	DESCRIPTION	QTY						I	R
				(A)	(B)	(C)	(D)	(E)	(F)		
1	1	128695-44090	COCK PT1/8	1	1	1					
I 1-1	1	129670-49290 (A=*1999.07) (B=E/#A00409) (C=*1999.07)	COCK R1/8 ASSY	1	1	1					N
2	1	129171-49200	JOINT	1	1	1					
I 2-1	1	129270-49210 (A=*2000.10) (B=E/#A01802) (C=*2000.10)	PIPE,CFW(C)	1	1	1					R
I 2-2	1	129673-49220 (B=E/#A02416)	CFW PIPE		1						S
3	1	129470-49220	RETAINER	1	1	1					
4	1	129470-49240	JOINT 28	1	1	1					
4-1	1	129673-49230 (B=E/#A00948)	CFW PIPE		1						R
5	1	129470-49250	PIPE, C. FRESH WATER	1	1	1					
6	1	129470-49260	JOINT	1	1	1					
I 6-1	1	129171-49200 (A=*2000.01) (B=E/#A00838) (C=*2000.01)	JOINT	1	1	1					R
I 6-2	1	129270-49210 (A=*2000.10) (B=E/#A01802) (C=*2000.10)	PIPE,CFW(C)	1	1	1					R
7	1	23000-041000	CLAMP 41	6	6	6					
I 7-1	1	129670-49500 (B=E/#A01888)	HOSE CLIP 38		6						R
8	1	129150-03100	RETAINER	1	1	1					
9	1	104207-44480	JOINT	1	1	1					
10	1	129012-49030	HOSE, WATER	1	1	1					
11	1	129403-49050	PIPE,COOLER-C.W.PUMP	1	1	1					
12	1	23000-022000	CLAMP 22	4	4	4					

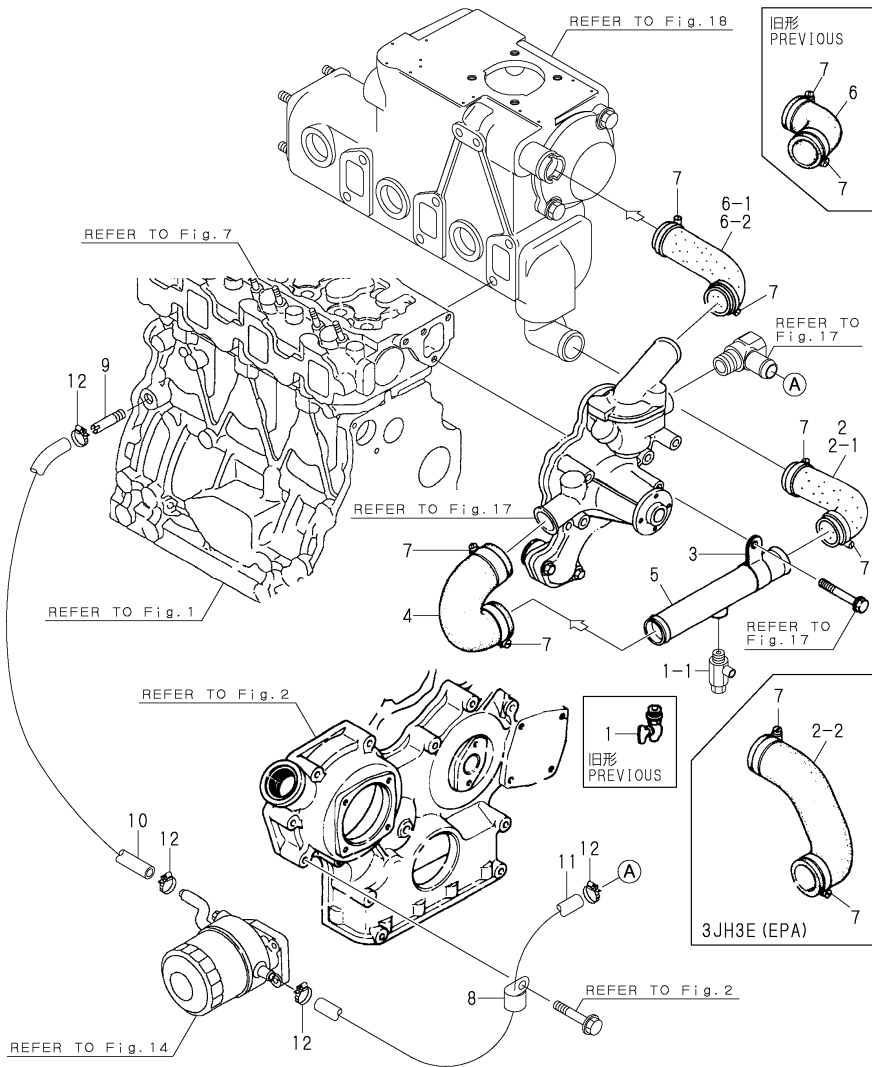
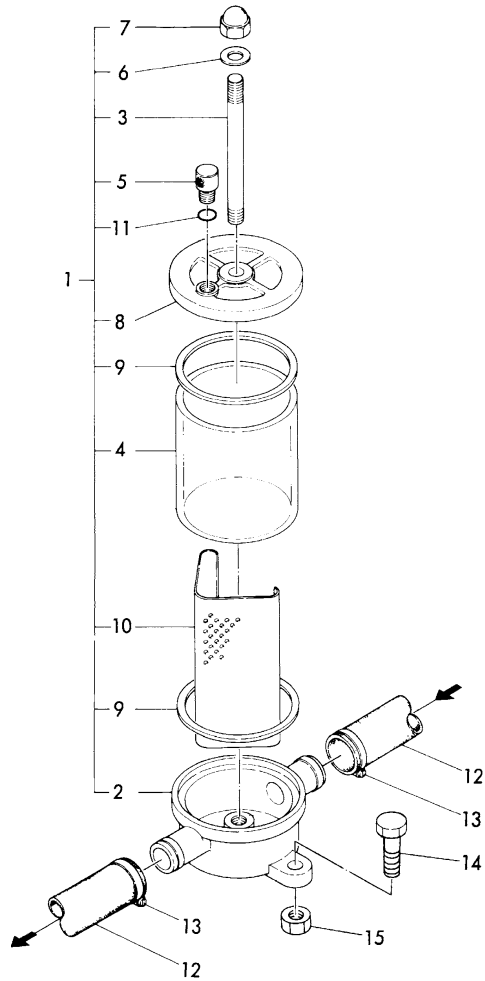


Fig.21.C.S.W.STRAINER(OPTIONAL)

(A)=3JH3E (D)=
 (B)=3JH3E(EPA) (E)=
 (C)=3JH3CE (F)=

Y00R4661

Fig. 21 冷却水フィルタ (海水, オプション)
 C. S. W. STRAINER (OPTIONAL)



REF.	LEV.	PARTS NO.	DESCRIPTION	QTY						I	R
				(A)	(B)	(C)	(D)	(E)	(F)		
1	1	129795-48800	STRAINER	1	1	1					
2	2	XTST25S001	BODY	1	1	1					
3	2	XTST25S002	BOLT M 8X125	1	1	1					
4	2	XTST25S003	PIPE, OUTER	1	1	1					
5	2	XTST25S004	PLUG M 8	1	1	1					
6	2	XTST25S005	PACKING	1	1	1					
7	2	26664-080002	CAP NUT M 8	1	1	1					
8	2	XTST25S007	COVER	1	1	1					
9	2	XTST25S008	PACKING	2	2	2					
10	2	XTST25S009	FILTER	1	1	1					
11	2	24311-000060	O-RING 1A P-6.0	1	1	1					
12	1	23072-101000	HOSE (25/33X1000)	1	1	1					
13	1	23000-041000	CLAMP 41	2	2	2					
I 13-1	1	129670-49500	HOSE CLIP 38	2	2	2					R
		(A=*2000.11) (B=#A01888) (C=*2000.11)									
14	1	26116-080302	BOLT 8X30	2	2	2					
15	1	26703-080002	NUT M 8	2	2	2					

Fig.22.BILGE PUMP(STD,OPTIONAL)

(A)=3JH3E (D)=
 (B)=3JH3E(EPA) (E)=
 (C)=3JH3CE (F)=

REF.	LEV.	PARTS NO.	DESCRIPTION	QTY						I	R
				(A)	(B)	(C)	(D)	(E)	(F)		
1	1	977780-01210	PUMP(12V).BILGE	1	1	1					
2	2	977780-01230	MOTOR ASSY(BILG PUMP)	1	1	1					
3	2	977780-01250	CONTROLLER	1	1	1					
4	3	X8636008003	FUSE	1	1	1					
5	2	X179100021X	STRAINER	1	1	1					
6	2	X179100100X	PIPE ASSY	1	1	1					
7	2	X0044021509	HOSE A	1	1	1					
8	2	X199903800X	SCREW KIT	1	1	1					
9	2	977780-03000	INPELLER	1	1	1					

Y00R4661

Fig. 22 ビルジポンプ (STD, オプション)
 BILGE PUMP (STD,OPTIONAL)

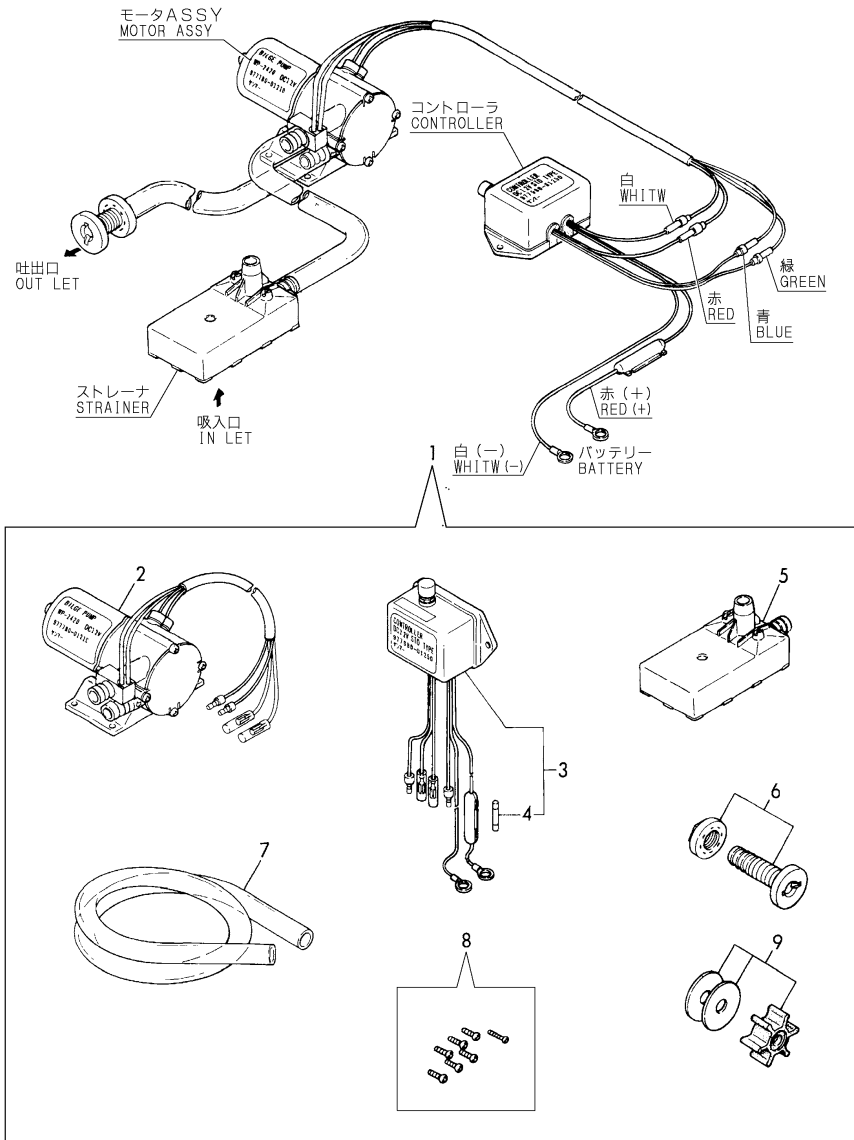


Fig.23.BILGE PUMP(DX,OPTIONAL)

(A)=3JH3E (D)=
 (B)=3JH3E(EPA) (E)=
 (C)=3JH3CE (F)=

REF.	LEV.	PARTS NO.	DESCRIPTION	----- QTY -----						I R
				(A)	(B)	(C)	(D)	(E)	(F)	
1	1	977780-01200	PUMP(12V).BILGE	1	1	1				
2	2	977780-01230	MOTOR ASSY(BILG PUMP)	1	1	1				
3	2	977780-01240	CONTROLLER	1	1	1				
4	3	X8636008003	FUSE	1	1	1				
5	2	X179100011X	STRAINER	1	1	1				
6	2	X179100100X	PIPE ASSY	1	1	1				
7	2	X0044021509	HOSE A	1	1	1				
8	2	X199903800X	SCREW KIT	1	1	1				
9	2	977780-03000	INPELLER	1	1	1				

Y00R4661

Fig. 23 ビルジポンプ (DX, オプション)
 BILGE PUMP (DX, OPTIONAL)

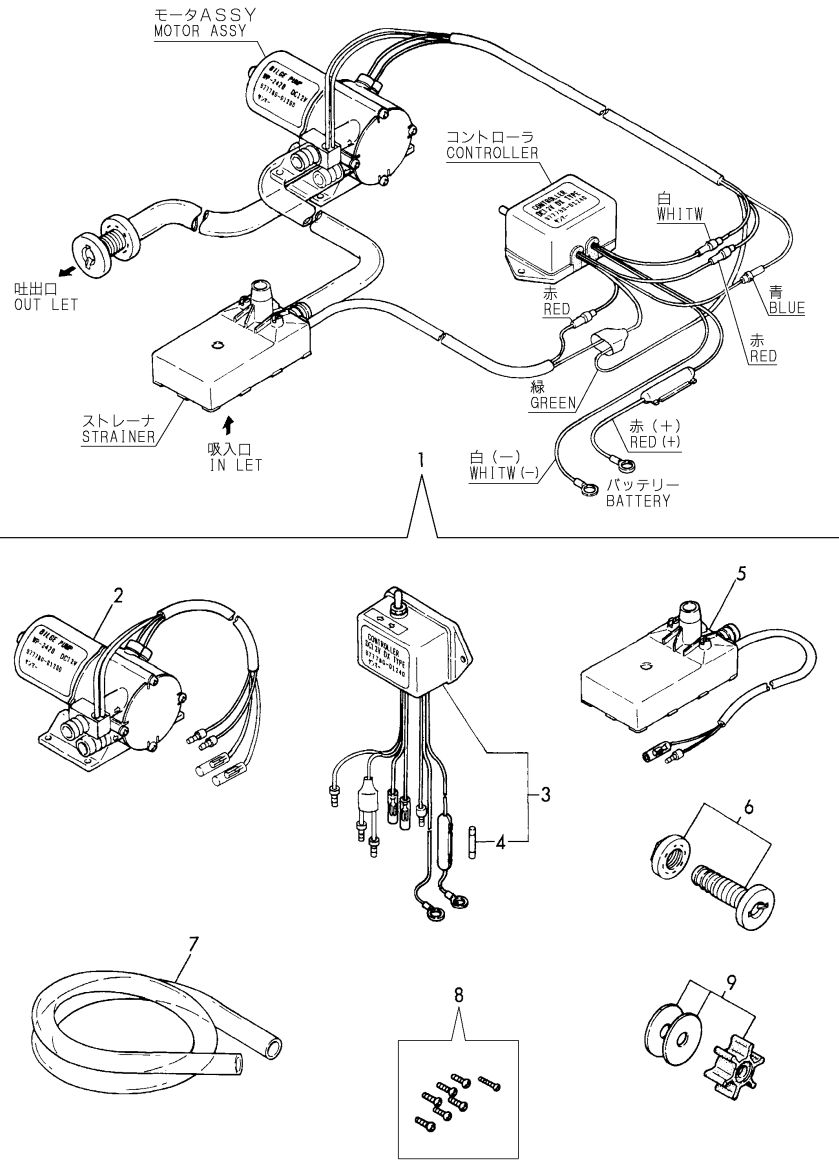
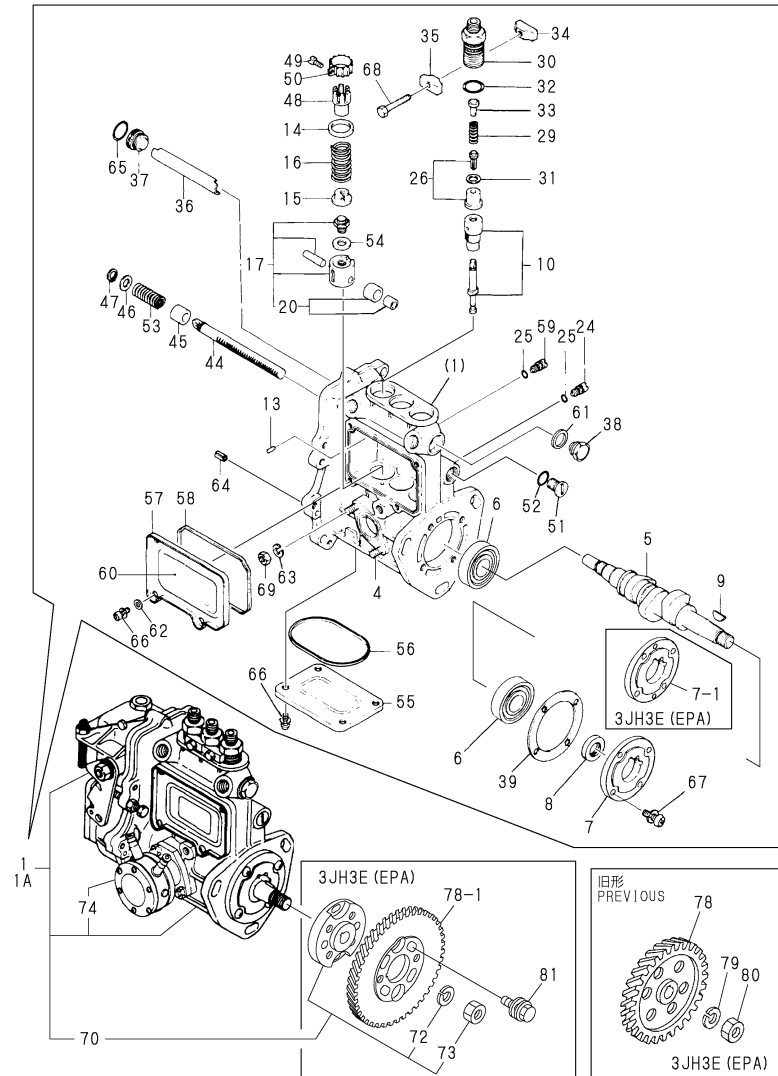


Fig.24.FUEL INJECTION PUMP

Y00R4661

Fig. 24 燃料噴射ポンプ
FUEL INJECTION PUMP



Remarks
(1)INTERCHANGEABLE BY SIMULTANEOUS REPLACEMENT WITH REF.NO.66-1.

(A)=3JH3E (D)=
(B)=3JH3E(EPA) (E)=
(C)=3JH3CE (F)=

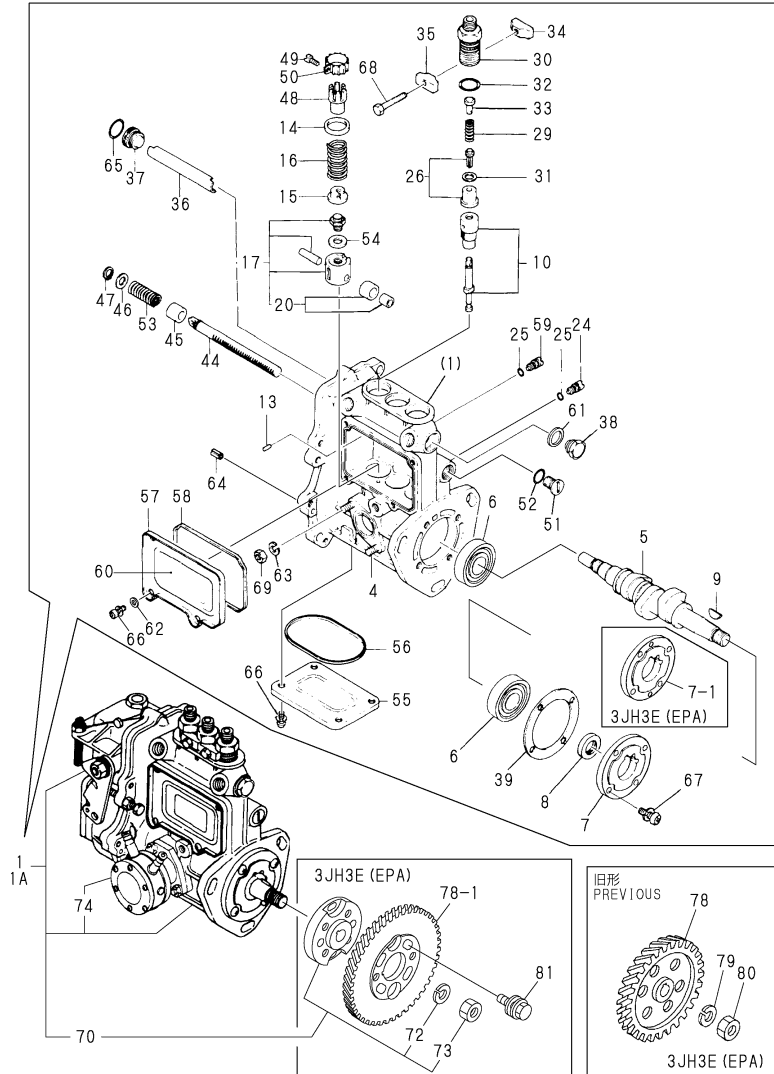
REF.	LEV.	PARTS NO.	DESCRIPTION	QTY						I	R
				(A)	(B)	(C)	(D)	(E)	(F)		
1	1	729270-51300	F.I.PUMP ASSY	1	1						
1A	1	729270-51450	F.I.PUMP ASSY		1						
4	3	129155-51020	STUD, FEED PUMP	2	2	2					
5	3	129171-51040	CAMSHAFT	1	1	1					
6	3	122710-51050	BEARING, ROLLER	2	2	2					
7	3	129470-51060	RETAINER	1	1	1					
I	7-1	129486-51060	SUPPORT, CAMSHAFT		1						S
		(B=E/#A01140)									
8	3	129470-51080	SEAL, OIL	1	1	1					
9	3	122710-51090	KEY	1	1	1					
10	3	129470-51101	PLUNGER W/BARREL	3	3	3					
13	3	129155-51140	PIN, BARREL LOCKING	3	3	3					
14	3	174307-51170	RETAINER A	3	3	3					
15	3	129155-51180	SPRING SHOE, PLUNGER	3	3	3					
16	3	124950-51190	SPRING, PLUNGER	3	3	3					
17	3	129155-51200	TAPPET ASSY	3	3	3					
20	4	711100-51540	ROLLER ASSY	3	3	3					
24	3	129155-51270	LOCKING, TAPPET	3	3	3					
25	3	129155-51280	O-RING S6	4	4	4					
26	3	129670-51300	VALVE ASSY	3	3	3					
29	3	129573-51330	SPRING, DELY. VALVE	3	3	3					
30	3	129573-51340	GUARD, DELY. VALVE	3	3	3					
31	3	124550-51350	GASKET, DELIVERY	3	3	3					
32	3	124550-51370	O-RING, DELIVERY	3	3	3					
33	3	129573-51370	STOPPER, VALVE	3	3	3					
34	3	129155-51380	LOCKING (A)	2	2	2					
35	3	129155-51390	LOCKING (B)	2	2	2					
36	3	129155-51400	DEFLECTOR	1	1	1					
37	3	129155-51410	CHECK BOLT,DEFLECTOR	1	1	1					
38	3	129155-51420	PLUG (M16)	1	1	1					
39	3	129155-51450	SHIM SET, ADJUSTING	1	1	1					
44	3	129155-51500	RACK, CONTROL	1	1	1					
45	3	129155-51521	BUSH, RACK	1	1	1					
46	3	129155-51530	SPACER, AUX. SPRING	1	1	1					
47	3	129155-51540	CIRCLIP	1	1	1					
48	3	129155-51550	PINION, CONTROL	3	3	3					
49	3	122117-51560	SCREW, PINION	3	3	3					
49-1	3	129100-51570	SCREW	3	3	3					N
		(A=*2001.02) (B=E/#A02086) (C=*2001.02)									
50	3	174307-51560	PINION	3	3	3					
50-1	3	129100-51560	PINION	3	3	3					N
		(A=*2001.02) (B=E/#A02086) (C=*2001.02)									
51	3	129155-51570	PLUG (M12)	1	1	1					
52	3	129155-51580	O-RING	1	1	1					
53	3	129155-51591	SPRING, RACK	1	1	1					
54	3	129155-51600	SHIM PACK	3	3	3					
55	3	129155-51700	COVER, LOWER	1	1	1					
I	55-1	129155-51701	COVER	1	1	1					F 1
		(A=*2000.01) (B=E/#A00838) (C=*2000.01)									
56	3	129155-51710	GASKET, LOWER COVER	1	1	1					
I	56-1	129155-51711	PACKING	1	1	1					N
		(A=*2000.10) (B=E/#A01802) (C=*2000.10)									
57	3	129155-51750	COVER, SIDE	1	1	1					
I	57-1	129155-51751	COVER, SIDE	1	1	1					F 1

++ CONTINUE ++

Fig.24.FUEL INJECTION PUMP

Y00R4661

Fig. 24 燃料噴射ポンプ
FUEL INJECTION PUMP



Remarks
(1)INTERCHANGEABLE BY SIMULTANEOUS
REPLACEMENT WITH REF.NO.66-1.

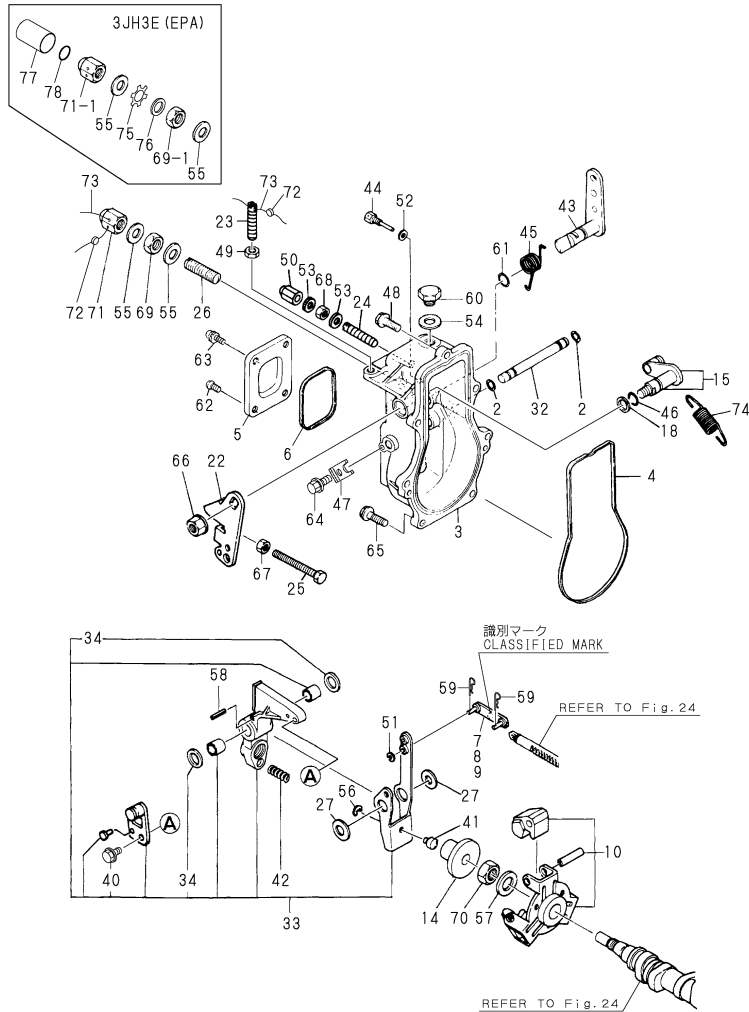
(A)=3JH3E (D)=
(B)=3JH3E(EPA) (E)=
(C)=3JH3CE (F)=

REF.	LEV.	PARTS NO.	DESCRIPTION	QTY						I	R
				(A)	(B)	(C)	(D)	(E)	(F)		
		(A=*2000.01) (B=#A00838) (C=*2000.01)									
58	3	129155-51760	GASKET, SIDE COVER	1	1	1					
59	3	129155-51790	LOCKING, RACK	1	1	1					
60	3	129156-51910	LABEL, CAUTION	1	1	1					
61	3	22190-160002	SEAL WASHER 16S	1	1	1					
62	3	22217-050000	SPRING WASHER 5	2	2	2					
63	3	22217-060000	SPRING WASHER 6	2	2	2					
64	3	22351-050010	SPRING PIN 5X10	2	2	2					
65	3	24341-000160	O-RING 1A S-16.0	1	1	1					
66	3	26022-050102	SCREW M 5X 10	8	8	8					
I 66-1	3	26022-050122	SCREW M 5X 12	8	8	8					N
		(A=*2000.01) (B=#A00838) (C=*2000.01)									
67	3	26022-060162	SCREW M 6X 16	4	4	4					
68	3	26116-050302	BOLT M 5X 30 PLATED	2	2	2					
69	3	26716-060002	NUT 6	2	2	2					
I 70	3	129208-54500	FLANGE ASSY		1						W
		(B=#A01140)									
I 72	4	22217-120000	SPRING WASHER		1						W
		(B=#A01140)									
I 73	4	26716-120002	NUT 12		1						W
		(B=#A01140)									
74	2	129158-52000	FUEL PUMP ASSY	1	1	1					
78	1	129573-25900	GEAR		1						
I 78-1	1	129150-25931	GEAR		1						S
		(B=#A01140)									
I 79	1	22217-120000	SPRING WASHER		1						Z
		(B=#A01140)									
I 80	1	26716-120002	NUT 12		1						Z
		(B=#A01140)									
I 81	1	129150-25301	BOLT,FI-P		4						W
		(B=#A01140)									

Fig.25.GOVERNOR

Y00R4661

Fig. 25 ガバナ GOVERNOR



(A)=3JH3E (D)=
 (B)=3JH3E(EPA) (E)=
 (C)=3JH3CE (F)=

REF.	LEV.	PARTS NO.	DESCRIPTION	QTY						I	R
				(A)	(B)	(C)	(D)	(E)	(F)		
54	2	22190-100002	SEAL WASHER 10S	1	1	1					
55	2	22190-120002	SEAL WASHER 12	2	2	2					
56	2	22272-000040	CIRCLIP E- 4	1	1	1					
57	2	22287-120000	WASHER 12	1	1	1					
58	2	22351-030016	SPRING PIN 3X16	1	1	1					
59	2	22372-040000	SNAP PIN 4	2	2	2					
60	2	23887-100002	PLUG 10	1	1	1					
61	2	24311-240100	O-RING 1A P-10A	1	1	1					
62	2	26022-050102	SCREW M 5X 10	2	2	2					
63	2	26023-050102	SCREW M 5X 10	2	2	2					
64	2	26106-060102	BOLT M 6X 10 PLATED	1	1	1					
65	2	26106-060202	BOLT M 6X 20 PLATED	6	6	6					
66	2	26366-080002	NUT M 8	1	1	1					
67	2	26756-060002	LOCK NUT 6	1	1	1					
68	2	26756-060002	LOCK NUT 6	1	1	1					
69	2	26776-120002	LOCK NUT M12 PLATED	1	1	1					
I 69-1	2	26736-120002	NUT M12		1						S 2
		(B=E/#A02666)									
70	2	26776-120002	LOCK NUT M12 PLATED	1	1	1					
71	1	129100-61930	NUT, CAP	1	1	1					
I 71-1	1	129209-61930	CAP NUT		1						N
		(B=E/#A02014)									
72	1	135210-61090	LEAD	1	1	1					
73	1	22453-060000	WIRE 0.6	1	1	1					
I 73-1	1	120325-61100	WIRE 1.0		1	1	1				N
		(A=*2002.04) (B=*2002.04) (C=*2002.04)									
74	1	129100-61730	SPRING	1	1	1					
I 75	1	129209-61970	PLATE		1						W
		(B=E/#A02014)									
I 76	1	23414-120016	GASKET 12		1						W
		(B=E/#A02014)									
I 77	1	129209-61950	CASE		1						W
		(B=E/#A01952)									
I 77-1	1	129209-61951	CASE		1						S 2
		(B=E/#A02522)									
I 78	1	24311-000150	O-RING 1A P-15.0		1						W
		(B=E/#A01952)									

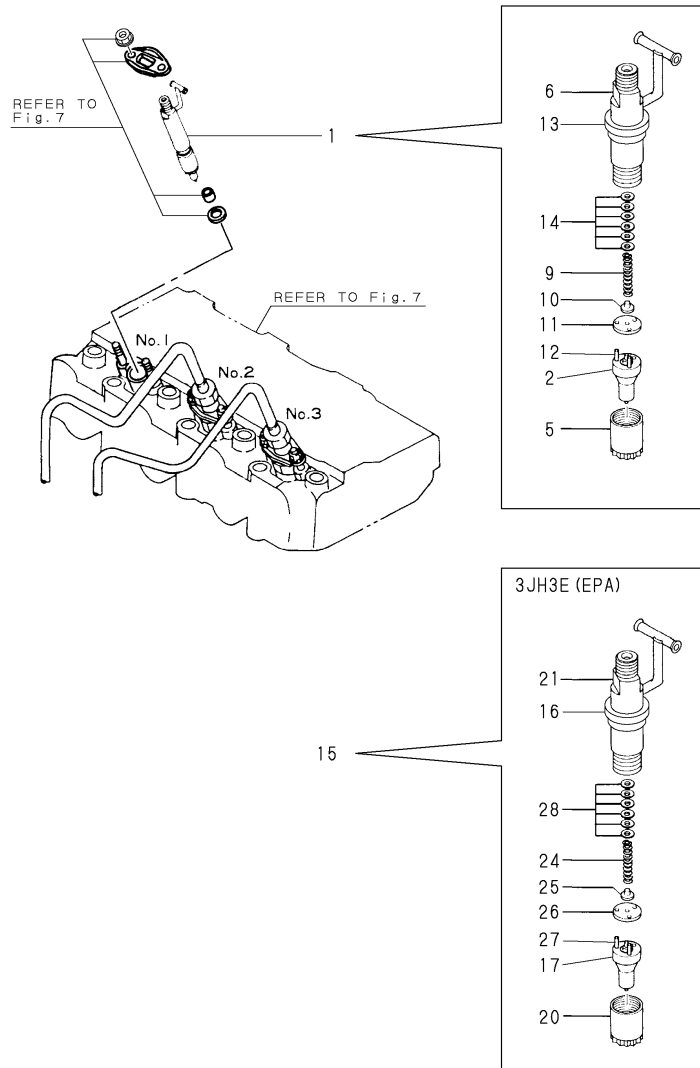
Remarks
 (1)SELECTIVE PART; CERTAIN THE CLASSIFICATION MARK WHEN PLACE YOUR ORDER.(REFER TO THE ILLUSTRATION)
 (2)INTERCHANGEABLE BY SIMULTANEOUS REPLACEMENT WITH REF.NO.69-1,77-1.

Fig.27.FUEL INJECTION VALVE

(A)=3JH3E (D)=
 (B)=3JH3E(EPA) (E)=
 (C)=3JH3CE (F)=

Y00R4661

Fig. 27 燃料喷射弁
 FUEL INJECTION VALVE



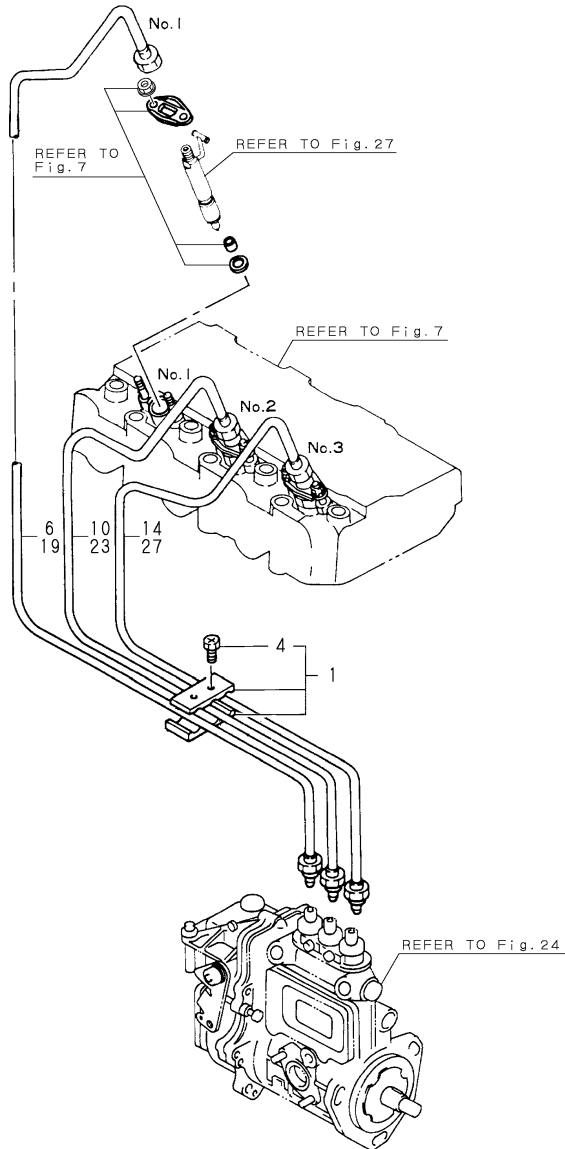
REF.	LEV.	PARTS NO.	DESCRIPTION	QTY						I	R	
				(A)	(B)	(C)	(D)	(E)	(F)			
1	1	729670-53100	VALVE ASSY,F.I.INJEC	3		3						
2	2	129468-53000	NOZZL ASSY,F.INJECT	3		3						
5	2	114250-53080	NUT, NOZZLE CASE	3		3						
6	2	129100-53100	HOLDER ASSY, NOZZLE	3		3						
9	2	114250-53120	SPRING, NOZZLE	3		3						
10	2	114250-53130	SEAT, NOZZLE SPRING	3		3						
11	2	114250-53140	PLATE, STOP	3		3						
12	2	114250-53210	PIN	6		6						
13	2	129470-11920	GASKET	3		3						
14	2	114250-53400	SHIM PACK	3		3						
15	1	729270-53100	VALVE ASSY. F.INJECT			3						
16	2	129270-11920	GASKET			3						
17	2	129270-53000	NOZZLE ASSY			3						
20	2	114250-53080	NUT, NOZZLE CASE			3						
21	2	129270-53100	HOLDER ASSY			3						
24	2	114250-53120	SPRING, NOZZLE			3						
25	2	114250-53130	SEAT, NOZZLE SPRING			3						
26	2	114250-53140	PLATE, STOP			3						
27	2	114250-53210	PIN			6						
28	2	114250-53400	SHIM PACK			3						

Fig.28.FUEL INJECTION PIPE

(A)=3JH3E (D)=
 (B)=3JH3E(EPA) (E)=
 (C)=3JH3CE (F)=

Y00R4661

Fig.28 燃料噴射パイプ
 FUEL INJECTION PIPE



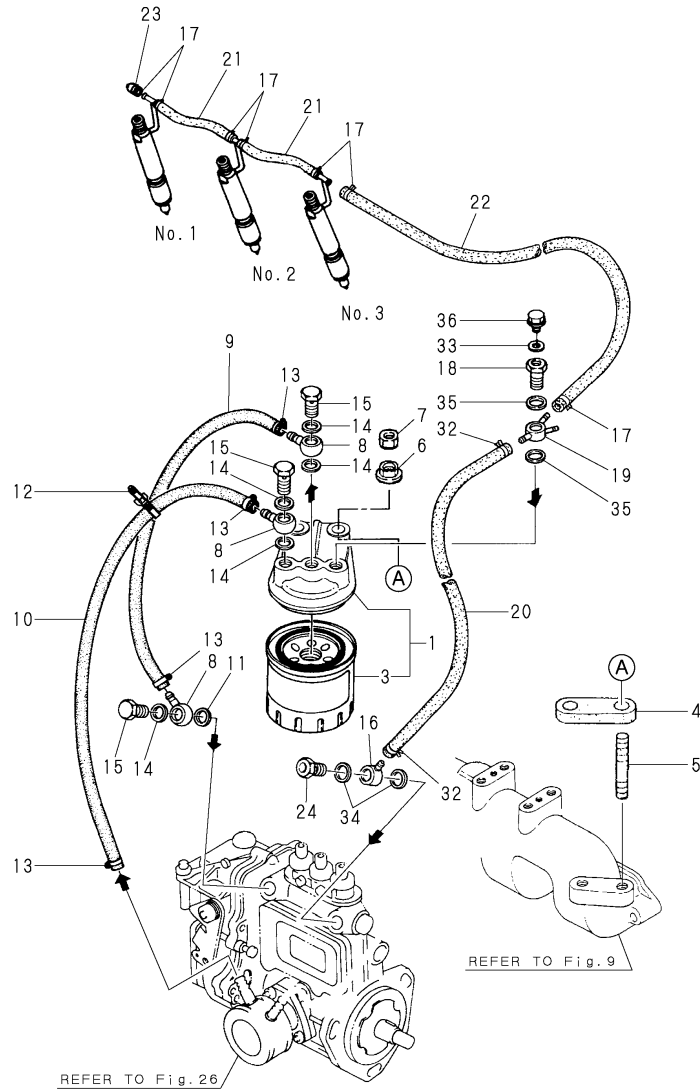
REF.	LEV.	PARTS NO.	DESCRIPTION	QTY						I	R
				(A)	(B)	(C)	(D)	(E)	(F)		
1	1	129150-59120	RETAINER, INJ. PIPE	1	1	1					
4	2	129150-59131	BOLT M4X14,HEX.SCKT.	2	2	2					
6	1	129270-59810	F.I PIPE CMP,NO.1	1		1					
10	1	129270-59820	F.I PIPE CMP,NO.2 N	1		1					
14	1	129270-59830	F.I PIPE CMP,NO.3	1		1					
19	1	129270-59811	F.I PIPE CMP,NO.1			1					
23	1	129270-59821	F.I PIPE CMP,NO.2 N			1					
27	1	129270-59831	F.I PIPE CMP,NO.3			1					

Fig.29.FUEL PIPE & FUEL STRAINER

(A)=3JH3E (D)=
 (B)=3JH3E(EPA) (E)=
 (C)=3JH3CE (F)=

Y00R4661

Fig. **29** 燃料パイプ&燃料フィルタ
 FUEL PIPE & FUEL STRAINER



REF.	LEV.	PARTS NO.	DESCRIPTION	QTY						I	R
				(A)	(B)	(C)	(D)	(E)	(F)		
1	1	129470-55601	STRAINER ASSY, FUEL	1	1	1					
3	2	129470-55701	STRAINER ASSY, FUEL	1	1	1					
4	1	119173-55700	RUBBER	1	1	1					
5	1	26216-100452	STUD M10X 45 PLATED	2	2	2					
6	1	26306-100002	NUT	2	2	2					
7	1	26716-100002	NUT 10	2	2	2					
8	1	101304-59020	JOINT 12, PIPE	3	3	3					
9	1	129470-59120	PIPE, FUEL OIL	1	1						
I 9-1	1	129470-59121	PIPE, FUEL	1	1						N
I 9-2	1	129470-59122	PIPE, FUEL OIL	1	1	1					R
10	1	129470-59120	PIPE, FUEL OIL	1	1						
I 10-1	1	129570-59120	PIPE, FUEL	1	1						N
I 10-2	1	129570-59121	PIPE, FUEL OIL	1	1	1					R
11	1	104200-59170	GASKET 12	1	1	1					
12	1	121750-59890	CLAMP 140	1	1	1					
13	1	23080-013000	CLAMP 13, HOSE	4	4						
I 13-1	1	23000-019000	CLAMP 19	4	4						N
I 13-2	1	23000-016000	CLAMP 16	4	4	4					N
14	1	23414-120000	GASKET 12, ROUND	5	5	5					
I 14-1	1	22190-120002	SEAL WASHER 12	5	5	5					N
15	1	23857-060000	JOINT BOLT 6	3	3	3					
16	1	101304-59020	JOINT 12, PIPE	1	1	1					
17	1	124066-59100	CLAMP 8	7	7						
I 17-1	1	23000-016000	CLAMP 16	7	7						N
I 17-2	1	23000-013000	CLAMP 13	7	7	7					N
18	1	129495-59300	BOLT, PIPE JOINT	1	1	1					
19	1	129470-59530	JOINT, FUEL RETN. PIPE	1	1	1					
20	1	129470-59540	PIPE, FUEL OIL	1	1						
I 20-1	1	129470-59541	PIPE, FUEL	1	1	1					N
I 20-2	1	129470-59542	PIPE, FUEL OIL	1	1	1					R
21	1	119000-59550	PIPE, FUEL RETURN	2	2						
I 21-1	1	129495-59552	PIPE, FUEL	2	2						N
I 21-2	1	129495-59553	PIPE, FUEL OIL	2	2						R
I 21-3	1	129270-59550	PIPE, FUEL OIL	2	2	2					R
22	1	129470-59560	PIPE, FUEL RETURN	1	1						
I 22-1	1	129470-59561	PIPE, FUEL	1	1						N
I 22-2	1	129470-59562	PIPE, FUEL OIL	1	1	1					R
23	1	129150-59580	CAP	1	1						

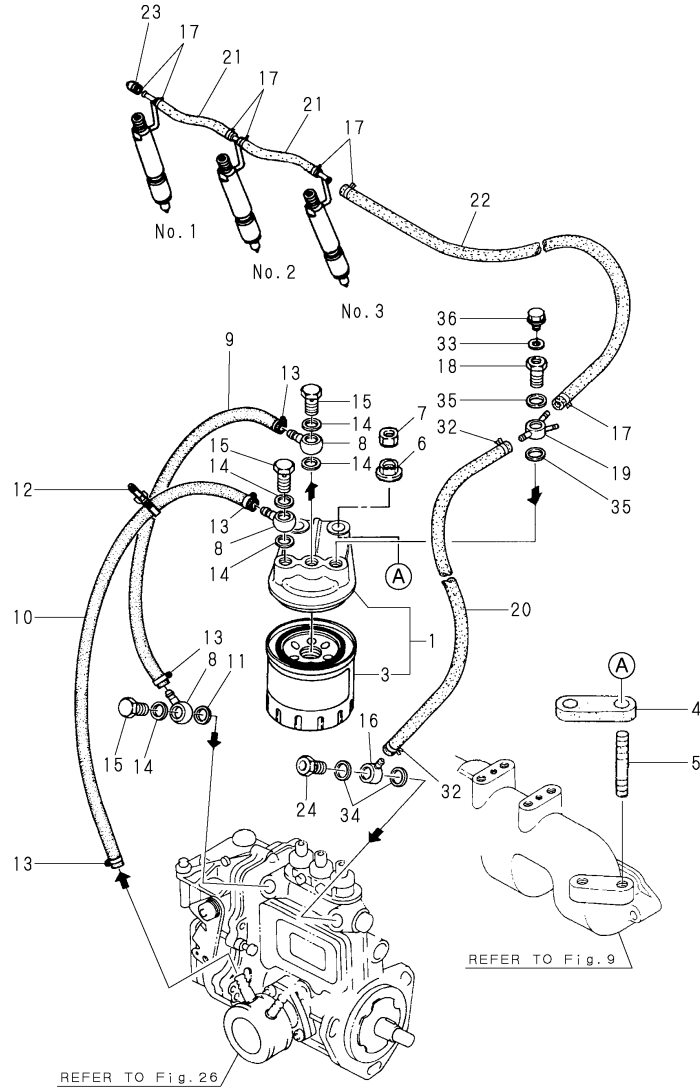
++ CONTINUE ++

Fig.29.FUEL PIPE & FUEL STRAINER

(A)=3JH3E (D)=
 (B)=3JH3E(EPA) (E)=
 (C)=3JH3CE (F)=

Y00R4661

Fi g. **29** 燃料パイプ&燃料フィルタ
 FUEL PIPE & FUEL STRAINER



REF.	LEV.	PARTS NO.	DESCRIPTION	QTY						I	R
				(A)	(B)	(C)	(D)	(E)	(F)		
I	23-1	1	119593-59580 CAP (A=E/#E20599) (C=E/#E20599)	1	1						N
I	23-2	1	129270-59580 CAP (A=*1999.01) (C=*1999.01)	1	1	1					N
	24	1	129100-59951 VALVE ASSY, CHECK	1	1	1					
	32	1	23080-013000 CLAMP 13,HOSE	2	2						
I	32-1	1	23000-019000 CLAMP 19 (A=E/#E20599) (C=E/#E20599)	2	2						N
I	32-2	1	23000-016000 CLAMP 16 (A=*1999.01) (C=*1999.01)	2	2	2					N
	33	1	23414-080000 GASKET 8, ROUND	1	1	1					
I	33-1	1	22190-080002 SEAL WASHER 8S (A=*2000.03) (B=E/#A01028) (C=*2000.03)	1	1	1					N
	34	1	23414-120000 GASKET 12, ROUND	2	2	2					
I	34-1	1	22190-120002 SEAL WASHER 12 (A=*2000.03) (B=E/#A01028) (C=*2000.03)	2	2	2					N
	35	1	23414-140000 GASKET 14, ROUND	2	2	2					
I	35-1	1	22190-140002 SEAL WASHER 14S (A=*2000.03) (B=E/#A01028) (C=*2000.03)	2	2	2					N
	36	1	26106-080102 BOLT M 8X 10 PLATED	1	1	1					

Fig.30.FUEL TANK(OPTIONAL)

(A)=3JH3E (D)=
 (B)=3JH3E(EPA) (E)=
 (C)=3JH3CE (F)=

REF.	LEV.	PARTS NO.	DESCRIPTION	QTY						I	R
				(A)	(B)	(C)	(D)	(E)	(F)		
1	1	124070-59060	PIPE, FUEL OIL	1	1	1					
2	2	124070-59130	PIPE, FUEL OIL	1	1	1					
4	2	138603-59380	CAP NUT	1	1	1					
5	2	23010-014000	CLAMP 14	2	2	2					
7	1	83213-003012	TANK (30L), FUEL	1	1	1					
8	2	105430-55041	CAP, FUEL TANK	1	1	1					

Y00R4661

Fig. 30 燃料タンク (オプション)
 FUEL TANK (OPTIONAL)

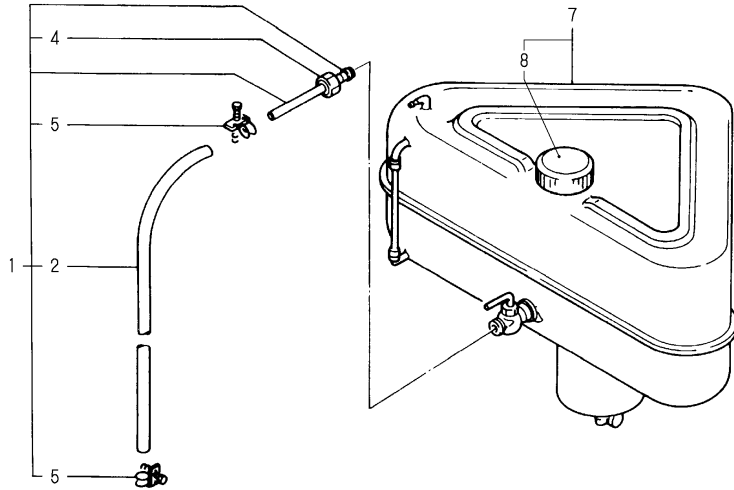
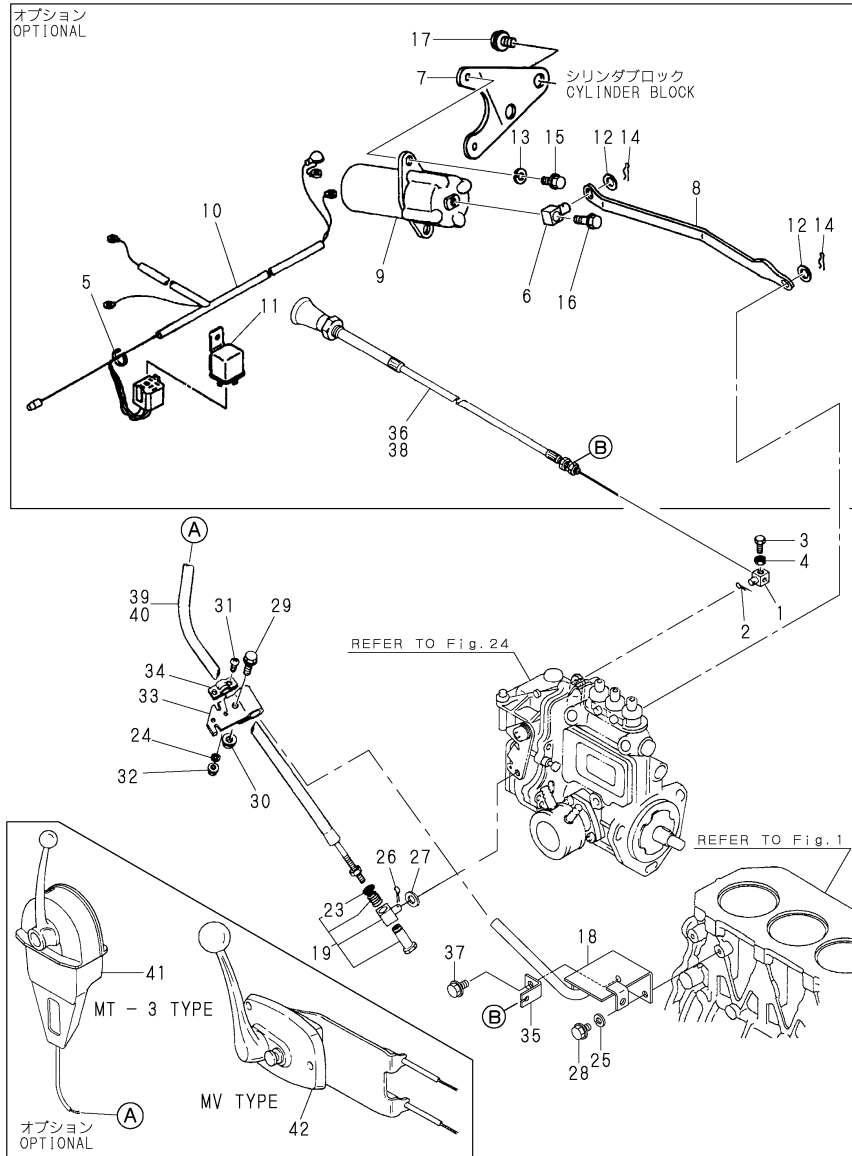


Fig.31.ENGINE STOP DEVIC

(A)=3JH3E (D)=
 (B)=3JH3E(EPA) (E)=
 (C)=3JH3CE (F)=

Y00R4661

Fig.31 機関停止装置
 ENGINE STOP DEVICE



REF.	LEV.	PARTS NO.	DESCRIPTION	QTY						I	R
				(A)	(B)	(C)	(D)	(E)	(F)		
1	1	129590-67310	CLAMP	1	1	1					
2	1	22414-250150	COTTER PIN 2.5X15	1	1	1					
3	1	26116-050142	BOLT M 5X 14 PLATED	1	1	1					
4	1	26756-050002	LOCK NUT M 5 PLATED	1	1	1					
5	1	121750-59890	CLAMP 140	1	1	1					
6	1	171078-66551	PIN	1	1	1					
7	1	129171-67300	BRACKET, SOLENOID	1		1					
I 7-1	1	129270-67300	BRACKET,SOLENOID	1	1	1					N
				(A=E/#E20277)		(C=E/#E20277)					
8	1	129171-67310	LINK	1		1					
I 8-1	1	129270-67310	LINK	1	1	1					N
				(A=E/#E20277)		(C=E/#E20277)					
9	1	129470-67320	ENGINE STOP SOLENOID	1	1	1					
10	1	129470-77971	HARNESS L4000	1	1	1					
11	1	124617-91850	RELAY	1	1	1					
I 11-1	1	119773-91850	RELAY	1	1	1					R
				(A=*2000.02)		(B=#A00948)		(C=*2000.02)			
12	1	22117-080000	WASHER 8	2	2	2					
13	1	22217-060000	SPRING WASHER 6	2	2	2					
14	1	22360-080000	SNAP PIN 8	2	2	2					
15	1	26106-060102	BOLT M 6X 10 PLATED	2	2	2					
16	1	26106-060202	BOLT M 6X 20 PLATED	1	1	1					
17	1	26106-080122	BOLT M 8X 12 PLATED	2	2	2					
18	1	129270-67101	BRACKET	1	1	1					
19	1	129470-67200	RETAINER, JOINT	1	1	1					
23	2	22242-000100	CIRCLIP 10	1	1	1					
24	1	22217-050000	SPRING WASHER 5	2	2	2					
25	1	22217-080000	SPRING WASHER 8	2	2	2					
26	1	22414-250150	COTTER PIN 2.5X15	1	1	1					
27	1	23414-080000	GASKET 8, ROUND	1	1	1					
28	1	26116-120352	BOLT M12X 35 PLATED	2	2	2					
29	1	26106-080252	BOLT M 8X 25 PLATED	1	1	1					
30	1	26306-080002	NUT	1	1	1					
31	1	26557-050122	SCREW M 5X 12	2	2	2					
32	1	26716-050002	NUT M 5	2	2	2					
33	1	41701-001720	BRACKET	1	1	1					
34	1	41710-000410	CLAMP	1	1	1					
35	1	129270-67140	BLACKET,STOPCABLE	1	1	1					
36	1	129470-67550	CABLE (L=4000), STOP	1	1	1					
37	1	26106-080162	BOLT M 8X 16 PLATED	1	1	1					
38	1	129470-67560	CABLE L=7000	1	1	1					
39	1	41710-000380	CABLE L=4000	2	2	2					
40	1	129470-86500	CABLE,REMO-CON.(7M)	2	2	2					
41	1	41730-000681	MT-3 REMO-CON	1	1	1					
42	1	128170-86500	MOUNT	1	1	1					
I 42-1	1	128170-86501	REMOCON HEAD (MN		1						S
				(B=*2002.04)							

Fig.32.CLUTCH

(A)=3JH3E (D)=
 (B)=3JH3E(EPA) (E)=
 (C)=3JH3CE (F)=

REF.	LEV.	PARTS NO.	DESCRIPTION	Q'TY						I	R	
				(A)	(B)	(C)	(D)	(E)	(F)			
1	1	129270-81020	MARINE GEAR,KM3P4	1								
I 1-1	1	129270-81021 (A=E/#E20354)	MARINE GEAR,KM3P4	1	1							N
I 1-2	1	129270-81120 (B=E/#A03017)	CLUTCH, KM35P I=2.61			1						S
2	1	129171-81010	CLUTCH ASSY(I=2.33)	1								
I 2-1	1	129270-81070 (A=E/#E20354)	MARINE GEAR KM3A1	1	1							N
I 2-2	1	129270-81170 (B=E/#A03017)	CLUTCH, KM35A I=2.33			1						S
3	1	129171-81020	CLUTCH ASSY(I=2.64)	1								
I 3-1	1	129270-81080 (A=E/#E20354)	MARINE GEAR KM3A1	1	1							N
I 3-2	1	129270-81180 (B=E/#A03017)	CLUTCH, KM35A I=2.64			1						S
4	1	129270-81010	MARINE GEAR,KM3P4	1								
I 4-1	1	129270-81011 (A=E/#E20354)	MARINE GEAR,KM3P4	1	1							N
I 4-2	1	129270-81110 (B=E/#A03017)	CLUTCH, KM35P I=2.36			1						S
5	1	129270-81030	MARINE GEAR,KM3P4	1								
I 5-1	1	129270-81031 (A=E/#E20354)	MARINE GEAR,KM3P4	1	1							N
I 5-2	1	129270-81031 (B=E/#A03017)	MARINE GEAR,KM3P4			1						Z
6	1	128170-13600	STUD	2	2							
7	1	26106-080202	BOLT M 8X 20 PLATED	6	6							
8	1	26306-080002	NUT	2	2							

Remarks
 THIS FIGURE ARE NOT ILLUSTRATED.

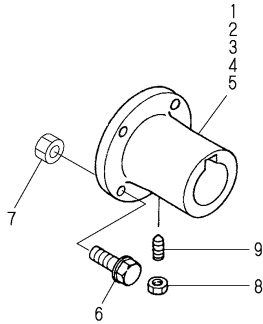
(A)=3JH3E (D)=
 (B)=3JH3E(EPA) (E)=
 (C)=3JH3CE (F)=

Fig.33.CUPRING(OPTIONAL)

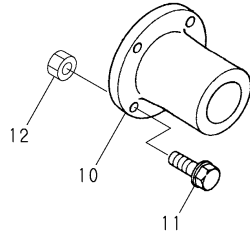
Y00R4661

Fig. 33 カップリング
 CUPRING

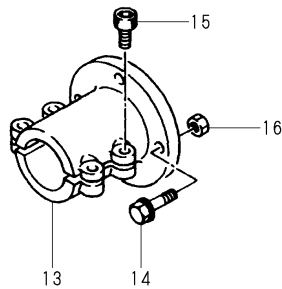
テーパカップリング
 TAPER COUPLING



ストレートカップリング
 STRAIGHT COUPLING



スリットカップリング
 SLIT COUPLING



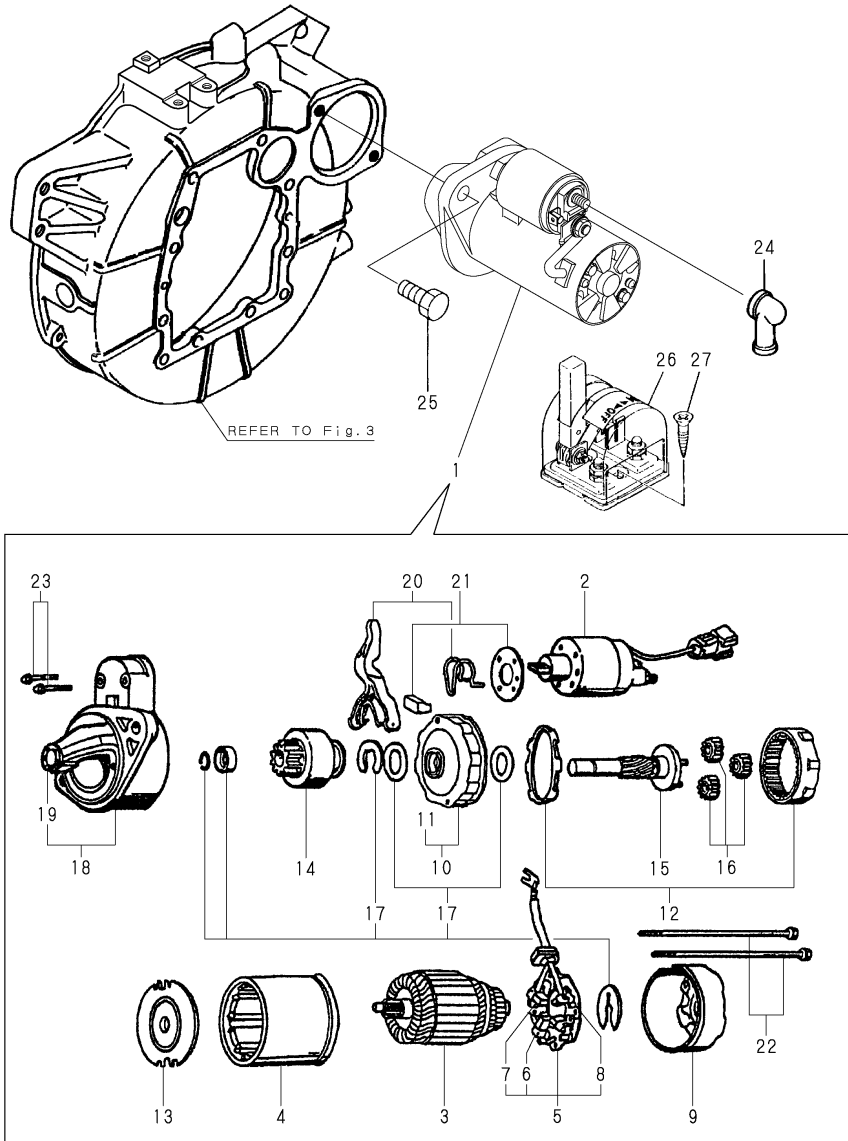
REF.	LEV.	PARTS NO.	DESCRIPTION	QTY						I	R
				(A)	(B)	(C)	(D)	(E)	(F)		
1	1	48110-025063	COUPLING 25, TAPER	1	1	1					
2	1	48110-028063	COUPLING 28, TAPER	1	1	1					
3	1	48110-032502	COUPLING	1	1	1					
4	1	129171-85900	COUPLING,TAPER	1	1	1					
5	1	129670-85900	COUPLING,TAPER 34	1	1	1					
6	1	26106-100322	BOLT M10X 32 PLATED	4	4	4					
7	1	26706-100002	NUT M10	4	4	4					
8	1	26756-080002	LOCK NUT M 8 PLATED	1	1	1					
9	1	48110-032411	SCREW	1	1	1					
10	1	105583-85900	COUPLING (22), SOLID	1	1	1					
11	1	26106-100322	BOLT M10X 32 PLATED	4	4	4					
12	1	26706-100002	NUT M10	4	4	4					
13	1	104214-83980	COUPLING (20), SLIT	1	1	1					
14	1	26106-100322	BOLT M10X 32 PLATED	4	4	4					
15	1	26450-080282	BOLT M 8X 28	4	4	4					
16	1	26706-100002	NUT M10	4	4	4					

Fig.34.STARTING MOTOR

(A)=3JH3E (D)=
 (B)=3JH3E(EPA) (E)=
 (C)=3JH3CE (F)=

Y00R4661

Fig. **34** スターティングモータ
 STARTING MOTOR

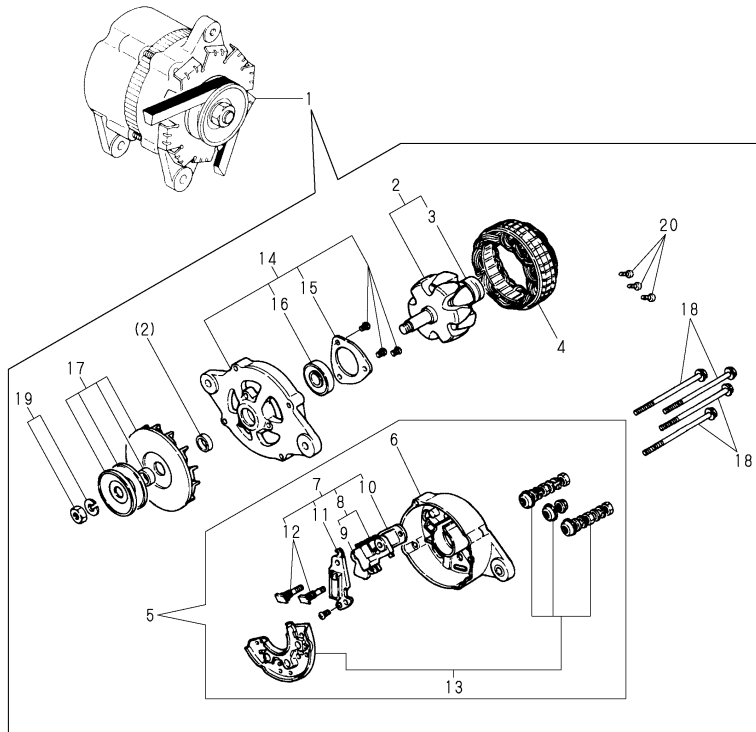


REF.	LEV.	PARTS NO.	DESCRIPTION	QTY						I	R
				(A)	(B)	(C)	(D)	(E)	(F)		
1	1	129698-77010	STARTER	1	1	1					
2	2	124298-77020	SWITCH, MAGNET	1		1					
I	2-1	129698-77020	MAGNETIC SWITCH ASSY	1	1	1					R
		(A=E/#E20689)	(C=E/#E20689)								
3	2	129698-77100	ARMATURE ASSY	1	1	1					
4	2	129698-77110	COIL ASSY, FIELD	1	1	1					
5	2	129698-77120	HOLDER ASSY,BRUSH	1	1	1					
6	3	129698-77130	BRUSH (-)	2	2	2					
7	3	129698-77140	BRUSH(+) SET	1	1	1					
8	3	129698-77150	SPRING, BRUSH	4	4	4					
9	2	129698-77160	REAR COVER ASSY	1	1	1					
I	9-1	129698-77161	COVER ASSY, REAR	1	1	1					R
		(A=*2000.11)	(B=E/#A01888)	(C=*2000.11)							
10	2	129698-77180	BRACKET	1	1	1					
11	3	129698-77190	BRACKET	1	1	1					
12	2	129698-77200	INTERNAL GEAR	1	1	1					
13	2	129698-77210	BRACKET	1	1	1					
14	2	129698-77220	PINION ASSY	1	1	1					
15	2	129698-77230	SHAFT(PINION)	1	1	1					
16	2	129698-77240	GEAR	3	3	3					
17	2	129698-77250	WASHER SET	1	1	1					
18	2	129698-77260	HOUSING ASSY, GEARS	1	1	1					
19	3	X2114535200	METAL, STARTER	1	1	1					
20	2	129698-77270	LEVER, SHIFT	1	1	1					
21	2	129698-77280	COVER ASSY, DUST	1	1	1					
22	2	124195-77770	BOLT, THROUGH	2	2	2					
23	2	114371-79070	BOLT M 6X 37	2	2	2					
24	1	124550-77030	COVER, TERMINAL	1	1	1					
25	1	26116-120302	BOLT M12X 30 PLATED	2	2	2					
26	1	123310-77640	SWITCH, BATTERY	1	1	1					
27	1	22724-800380	SCREW 8X 38	2	2	2					

Fig.35.GENERATOR(12V-55A,PREVIOUS)

Y00R4661

Fig. **35** ジェネレータ (12V-55A, 旧形)
GENERATOR (12V-55A, PREVIOUS)



(A)=3JH3E (D)=
(B)=3JH3E(EPA) (E)=
(C)=3JH3CE (F)=

REF.	LEV.	PARTS NO.	DESCRIPTION	QTY						I	R
				(A)	(B)	(C)	(D)	(E)	(F)		
1	1	129670-77200	ALTERNATOR	1		1					
I	1-1	129772-77200 (A=E/#E20241)	GENERATOR(12V-55A) (C=E/#E20241)	1	1	1					R
I	1-2	129772-77200 (A=*2002.03)	GENERATOR(12V-55A) (B=E/#A03017) (C=*2002.03)	1	1	1					Z 1
2	2	XL15571001	ROTOR ASSY	1	1	1					
3	3	124080-77490	BALL BEARING	1	1	1					
4	2	XL15542001	STATOR ASSY	1	1	1					
5	2	XL155G6300	COVER ASSY, REAR	1	1	1					
6	3	XL22553012	COVER, REAR	1	1	1					
7	3	XL155G1315	REGULATOR ASSY,BRUSH	1	1	1					
8	4	XL2255330	BRUSH ASSY	1	1	1					2
9	4	XL12013262	BRUSH	2	2	2					
10	4	XTR1Z63	REGULATOR	1	1	1					
11	4	XL2554318	CONDENCER ASSY	1	1	1					
12	4	XL13513134	BOLT M5	2	2	2					
13	3	XL2253320	DIODE ASSY	1	1	1					
14	2	XL2253400	FRONT COVER ASSY	1	1	1					
15	3	XL15014042	BEARING RETAINER	1	1	1					
16	3	X6203BM	BALL BEARING	1	1	1					
17	2	XL225G6500	PULLEY ASSY	1	1	1					
18	2	XL15018015	BOLT, THROUGH	4	4	4					
19	2	XL1501810	NUT ASSY, PULLEY	1	1	1					
20	2	XL15028001	SCREW ASSY	1	1	1					

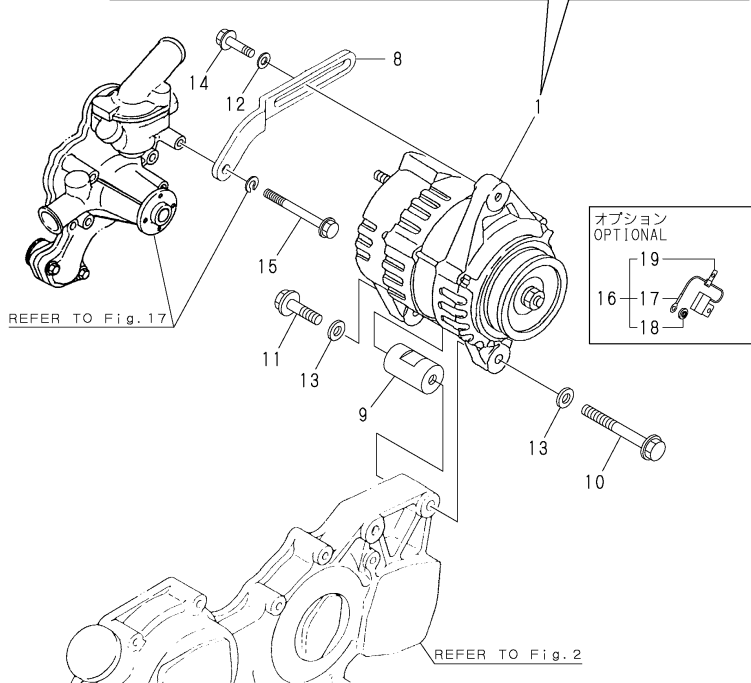
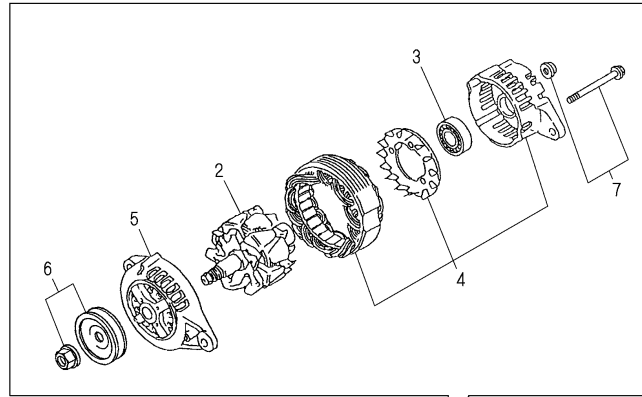
Remarks
 (1)INTERCHANGEABILITY IS <N> WITH
 FIG.36 REF.NO.1.
 (2)INC.9

Fig.36.GENERATOR(12V-60A,NEW)

(A)=3JH3E (D)=
 (B)=3JH3E(EPA) (E)=
 (C)=3JH3CE (F)=

Y00R4661

Fig. **36** ジェネレータ (12V-60A, 新形)
 GENERATOR (12V-60A, NEW)



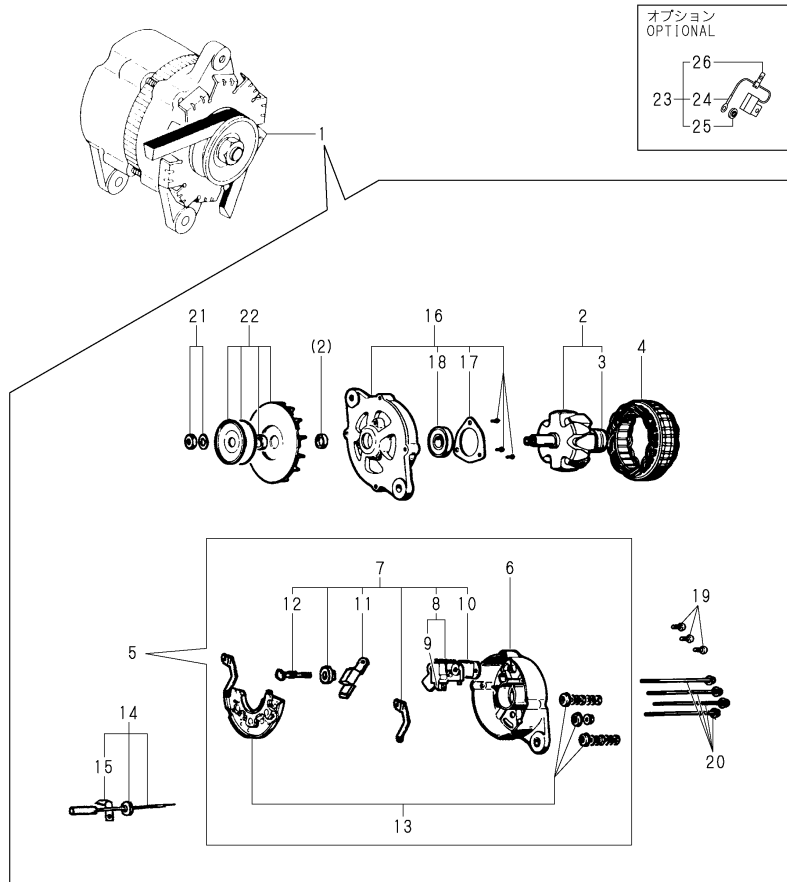
REF.	LEV.	PARTS NO.	DESCRIPTION	QTY						I R
				(A)	(B)	(C)	(D)	(E)	(F)	
I	1	128271-77200 (A=*2002.03) (B=E/#A03017)	GENERATOR 12V-60A (C=*2002.03)	1	1	1				W
	2	123900-77700	ROTOR ASSY	1	1	1				
	3	129612-77710	BALL BEARING	1	1	1				
	4	128271-77720	REAR BRACKET ASSY	1	1	1				
	5	123900-77730	FRONT BRACKET ASSY	1	1	1				
	6	128271-77740	PULLEY	1	1	1				
	7	128271-77750	SCREW KIT	1	1	1				
	8	129495-77330	ADJUSTER, BELT	1	1	1				
	9	129670-77340	SPACER,GENERATOR	1	1	1				
	10	129695-77370	BOLT 10X 75	1	1	1				
	11	129695-77380	BOLT 10X 30	1	1	1				
	12	22137-080000	WASHER 8, POLISHED	1	1	1				
	13	22137-100000	WASHER 10,POLISHED	2	2	2				
	14	26106-080252	BOLT M 8X 25 PLATED	1	1	1				
	15	26106-080652	BOLT M 8X 65 PLATED	1	1	1				
	16	129772-77250	CONDENSER CMP	1	1	1				
	17	129772-77260	CONDENSER	1	1	1				
	18	129772-77270	ISOLATER	2	2	2				
	19	129772-77280	CLAMP	1	1	1				

Fig.37.GENERATOR(12V-80A,OPTIONAL)

(A)=3JH3E (D)=
 (B)=3JH3E(EPA) (E)=
 (C)=3JH3CE (F)=

Y00R4661

Fig. **37** ジェネレータ (12V-80A, オプション)
 GENERATOR (12V-80A, OPTIONAL)



REF.	LEV.	PARTS NO.	DESCRIPTION	QTY						I	R
				(A)	(B)	(C)	(D)	(E)	(F)		
1	1	119573-77201	ALTERNATER(12V-80A	1	1	1					
2	2	XL180G61000	ROTOR ASSY	1	1	1					
3	3	119129-77320	BALL BEARING	1	1	1					
4	2	XL180120000	STARTER ASSY	1	1	1					
5	2	XL180G63006	COVER ASSY, REAR	1	1	1					
6	3	XL180G13012	COVER, REAR	1	1	1					
7	3	XL180G43150	BRUSH ASSY,REGULATOR	1	1	1					
8	4	XL155G1330	BRUSH ASSY	1	1	1					1
9	4	XL225G1325	BRUSH SET	2	2	2					
10	4	124080-77390	REGULATOR ASSY	1	1	1					
11	4	XL225431800	CONDENSER	1	1	1					
12	4	124080-77520	BOLT M5	2	2	2					
13	3	XL1808320	DIODE ASY	1	1	1					
14	3	119129-77250	WIRE	1	1	1					
15	4	119129-77260	CLAMP,LEAD WIRE	1	1	1					
16	2	XL235340110	COVER ASSY, FRONT	1	1	1					
17	3	XL150M14041	RETAINER	1	1	1					
18	3	X6303BM0000	BALL BEARING	1	1	1					
19	3	119129-77930	SCREW KIT	1	1	1					
20	2	119129-77890	BOLT, THROUGH	4	4	4					
21	2	119129-77900	NUT ASSY, PULLEY	1	1	1					
22	2	XL180G85001	PULLEY ASSY	1	1	1					
23	1	119573-77250	CONDENSER ASSY	1	1	1					
24	2	119573-77260	CONDENSER	1	1	1					
25	2	119573-77270	BUSH	2	2	2					
26	2	129772-77280	CLAMP	1	1	1					

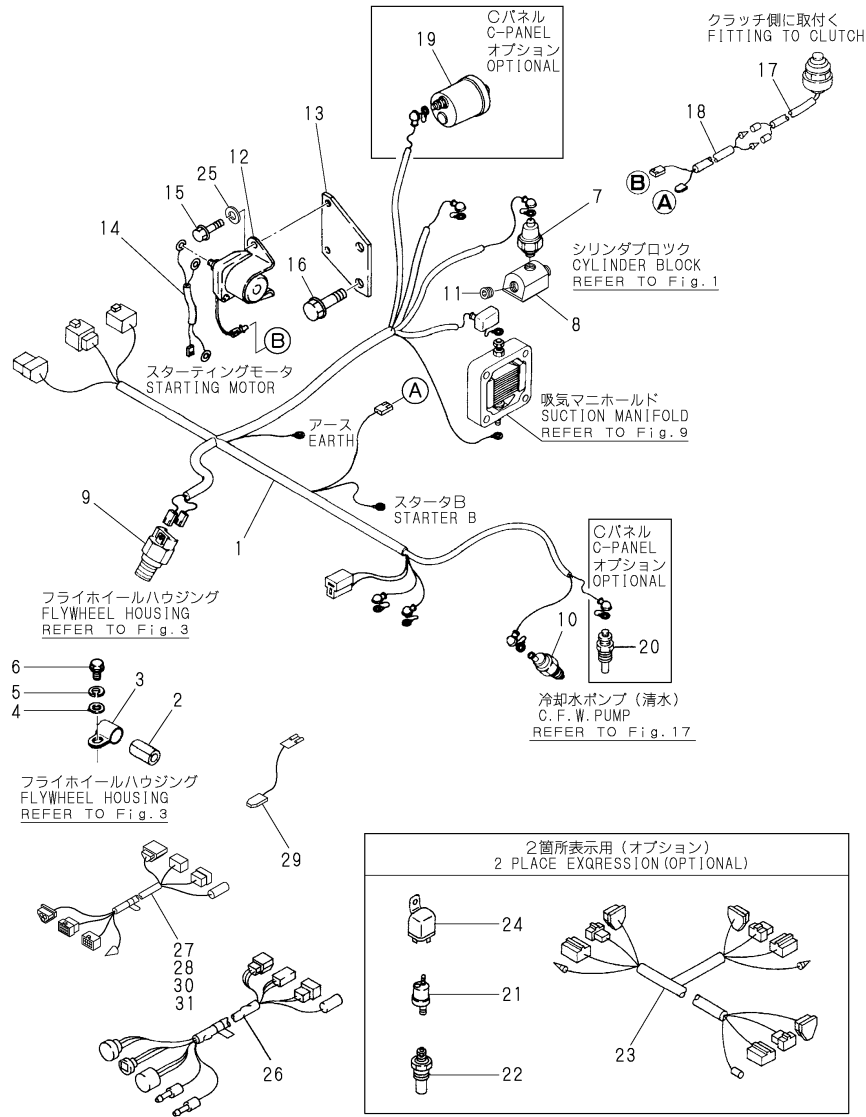
Remarks
 (1)INC.9

(A)=3JH3E (D)=
 (B)=3JH3E(EPA) (E)=
 (C)=3JH3CE (F)=

Fig.38.WIRE HARNESS & SENSOR

Y00R4661

Fig.38 ワイヤハーネス&センサ
 WIRE HARNESS & SENSOR



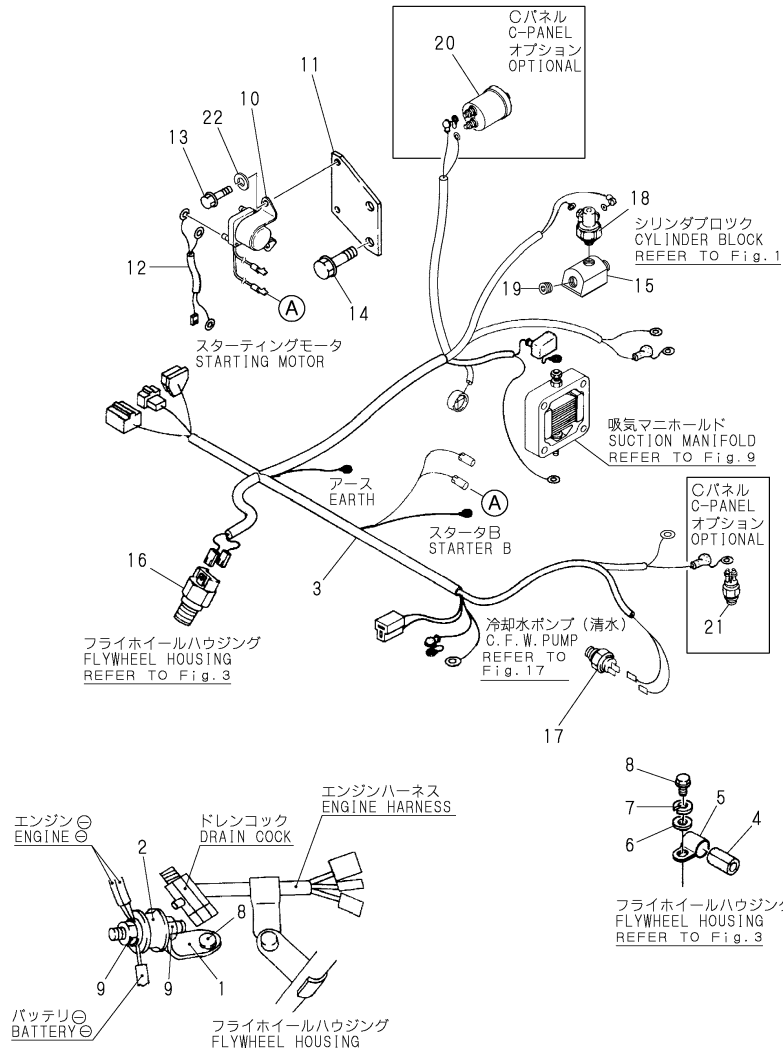
REF.	LEV.	PARTS NO.	DESCRIPTION	QTY						I	R
				(A)	(B)	(C)	(D)	(E)	(F)		
1	1	129198-77932	HARNESS, WIRE	1	1	1					
I	1-1	129198-77933 (A=*1999.08) (B=E/#A00447) (C=*1999.08)	HARNESS, WIRE	1	1	1					N
2	1	124770-77940	PROTECTOR	1	1	1					
3	1	124070-77950	CLAMP	1	1	1					
4	1	22137-080000	WASHER 8, POLISHED	1	1	1					
5	1	22217-080000	SPRING WASHER 8	1	1	1					
6	1	26106-080162	BOLT M 8X 16 PLATED	1	1	1					
7	1	124060-39451	SENDER, OIL PRESSURE	1	1	1					
I	7-1	124060-39452 (A=*2000.12) (B=E/#A01952) (C=*2000.12)	SENDER, OIL PRESSURE	1	1	1					N
8	1	129270-39610	DAMPER PT1/8	1	1	1					
9	1	128170-91160	SENSOR, TACHOMETER	1	1	1					
10	1	120130-91370	SWITCH, THERMO(100C)	1	1	1					
11	1	23871-010000	PLUG PT1/8, SCREW	1	1	1					
I	11-1	129270-39620 (A=E/#E20512) (B=E/#E20512) (C=E/#E20512)	PLUG	1	1	1					N
12	1	129490-77910	RELAY, STARTER	1	1	1					
13	1	129573-77951	BRACKET	1	1	1					
14	1	129573-77960	HARNESS, WIRE	1	1	1					
15	1	26106-060102	BOLT M 6X 10 PLATED	2	2	2					
I	15-1	26106-060082 (A=E/#E20462) (C=E/#E20462)	BOLT M 6X 8 PLATED	2	2	2					N
16	1	26106-100162	BOLT M10X 16 PLATED	2	2	2					
17	1	120270-77101	SWITCH	1	1	1					
18	1	129570-77960	HARNESS, WIRE	1	1	1					
19	1	144626-91560	SENDER UNIT	1	1	1					
I	19-1	119773-91500 (A=E/#E20277) (C=E/#E20277)	SENDER UNIT	1	1	1					N
I	19-2	119773-91501 (A=*2000.10) (B=E/#A01802) (C=*2000.10)	SENDER UNIT	1	1	1					N
20	1	144626-91570	SENDER UNIT	1	1	1					
21	1	129574-91560	SENDER UNIT	1	1	1					
I	21-1	129574-91561 (A=*2001.06) (B=E/#A02416) (C=*2001.06)	SENDER UNIT	1	1	1					R
22	1	129574-91570	SENDER UNIT	1	1	1					
23	1	129574-77980	HARNESS.	1	1	1					
24	1	124617-91850	RELAY	1	1	1					
I	24-1	119773-91850 (A=*2000.02) (B=E/#A00948) (C=*2000.02)	RELAY	1	1	1					R
I	25	22217-060000 (A=E/#E20462) (C=E/#E20462)	SPRING WASHER 6	2	2	2					W
I	26	129574-77860 (A=*2001.07) (B=E/#A02522) (C=*2001.07)	HARNESS ADAPTER 12V	1	1	1					Z
27	1	129574-77710	HARNESS, WIRE(4M)	1	1	1					
28	1	129574-77720	HARNESS, WIRE(6M)	1	1	1					
I	29	129270-77920 (A=*1999.08) (B=E/#A00447) (C=*1999.08)	HARNESS, WIRE	1	1	1					W
I	30	128391-77720 (B=E/#A02336)	HARNESS, WIRE(6M)			1					W
I	31	129574-77740 (B=E/#A03017)	HARNESS, 10M			1					W

(A)=3JH3E (D)=
 (B)=3JH3E(EPA) (E)=
 (C)=3JH3CE (F)=

Fig.39.WIRE HARNESS & SENSOR(EARTH FL

Y00R4661

Fig.39 ワイヤハーネス&センサ (2線式)
 WIRE HARNESS & SENSOR (EARTH FLOAT TYPE)



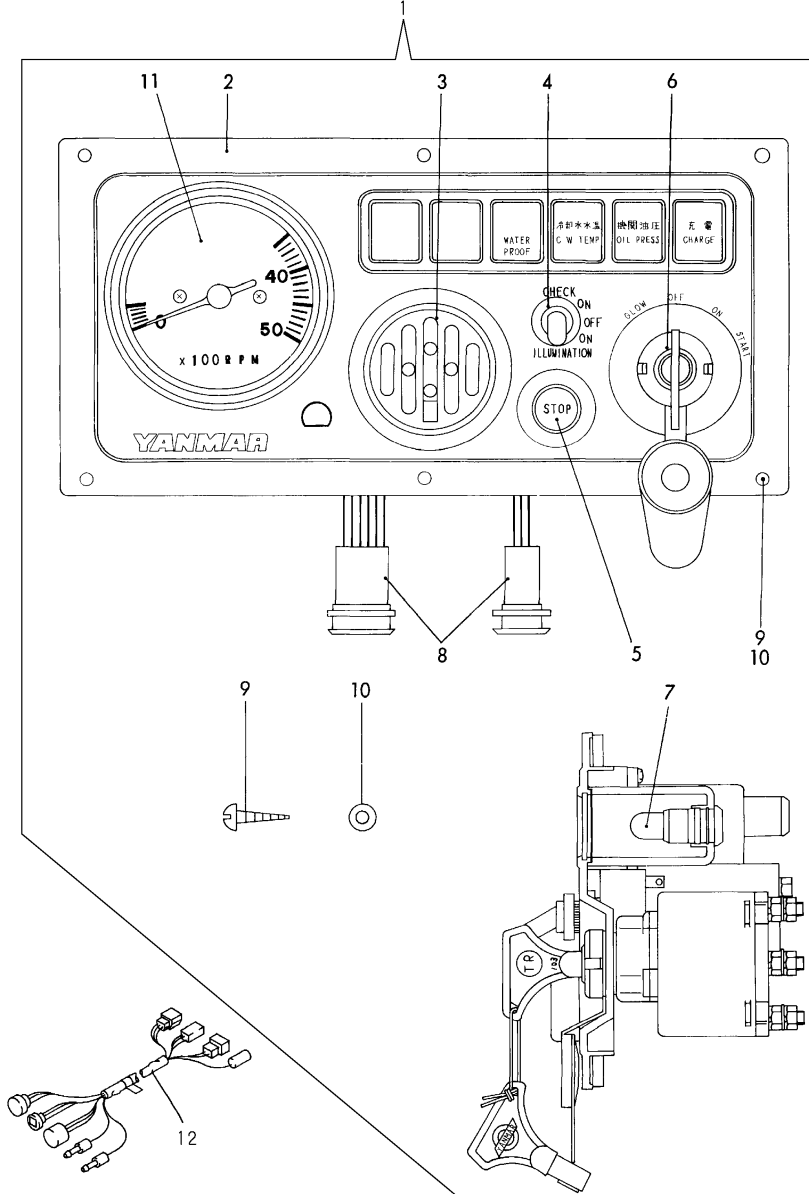
REF.	LEV.	PARTS NO.	DESCRIPTION	QTY						I	R
				(A)	(B)	(C)	(D)	(E)	(F)		
1	1	129590-59200	CLAMP	1	1	1					
2	1	194555-62750	RUBBER, CUSHION	1	1	1					
3	1	129170-77820	WIRE HARNESS	1	1	1					
4	1	124770-77940	PROTECTOR	1	1	1					
5	1	124070-77950	CLAMP	1	1	1					
6	1	22137-080000	WASHER 8, POLISHED	1	1	1					
7	1	22217-080000	SPRING WASHER 8	1	1	1					
8	1	26106-080202	BOLT M 8X 20 PLATED	1	1	1					
9	1	26716-080002	NUT M 8	2	2	2					
10	1	129570-77920	STARTER RELAY	1	1	1					
11	1	129573-77951	BRACKET	1	1	1					
12	1	129573-77960	HARNESS, WIRE	1	1	1					
13	1	26106-060102	BOLT M 6X 10 PLATED	2	2	2					
I 13-1	1	26106-060082	BOLT M 6X 8 PLATED	2	2	2					N
		(A=E/#E20462)	(C=E/#E20462)								
14	1	26106-100162	BOLT M10X 16 PLATED	2	2	2					
15	1	129270-39610	DAMPER PT1/8	1	1	1					
16	1	128170-91160	SENSOR, TACHOMETER	1	1	1					
17	1	129570-91320	SWITCH, THERMO(100C	1	1	1					
18	1	126630-91591	SWITCH,OIL PRESSURE	1	1	1					
19	1	23876-010000	PLUG PT1/8,SCREW	1	1	1					
20	1	126630-91560	SENDER UNIT	1	1	1					
I 20-1	1	119773-91520	SENDER UNIT	1	1	1					R
		(A=*2001.06)	(B=E/#A02416)	(C=*2001.06)							
21	1	126630-91570	SENDER UNIT	1	1	1					
I 22	1	22217-060000	SPRING WASHER 6	2	2	2					W
		(A=E/#E20462)	(C=E/#E20462)								

Fig.40.INSTRUMENT PANEL(B-TYPE)

(A)=3JH3E (D)=
 (B)=3JH3E(EPA) (E)=
 (C)=3JH3CE (F)=

Y00R4661

Fig.40 計器盤 (Bタイプ)
 INSTRUMENT PANEL (B-TYPE)

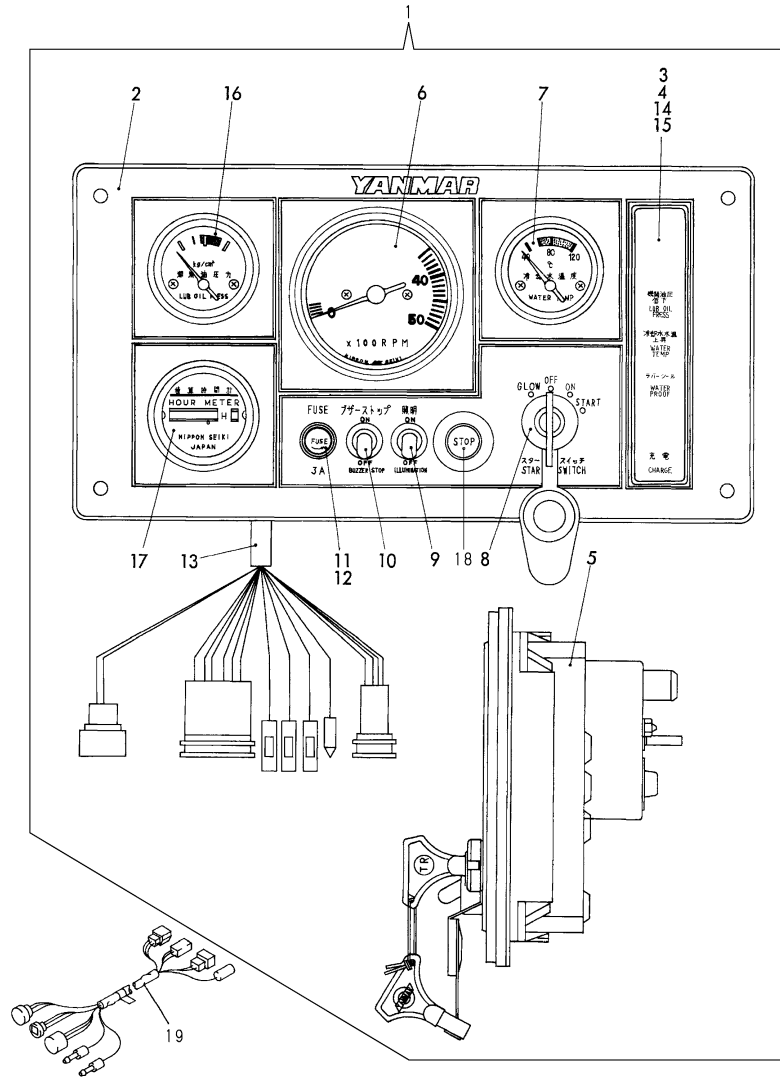


REF.	LEV.	PARTS NO.	DESCRIPTION	QTY						I	R
				(A)	(B)	(C)	(D)	(E)	(F)		
1	1	129670-91110	PANEL B ASSY	1	1	1					
2	2	129495-91010	HOUSING, PANEL	1	1	1					
3	2	104271-91352	BUZZER	1	1	1					
4	2	128170-91310	SWITCH, LAMP	1	1	1					
5	2	129470-91190	STOPPER	1	1	1					
6	2	127412-91250	SWITCH W/KEY	1	1	1					
7	2	124617-91920	BULB	4	4	4					
8	2	129171-91850	HARNESS, WIRE	1	1	1					
9	2	128170-91810	SCREW M5	6	6	6					
10	2	128170-91820	WASHER 5	6	6	6					
11	2	129670-91200	TACHOMETER	1	1	1					
12	1	129574-77860	HARNESS ADAPTER 12V	1	1	1					

Fig.41.INSTRUMENT PANEL(C-TYPE,PREVIO

Y00R4661

Fi g. **41** 計器盤 (Cタイプ, 旧形)
INSTRUMENT PANEL (C-TYPE, PREVIOUS)



Remarks
(1)INTERCHANGEABILITY IS <N> WITH
FIG.42 REF.NO.1.

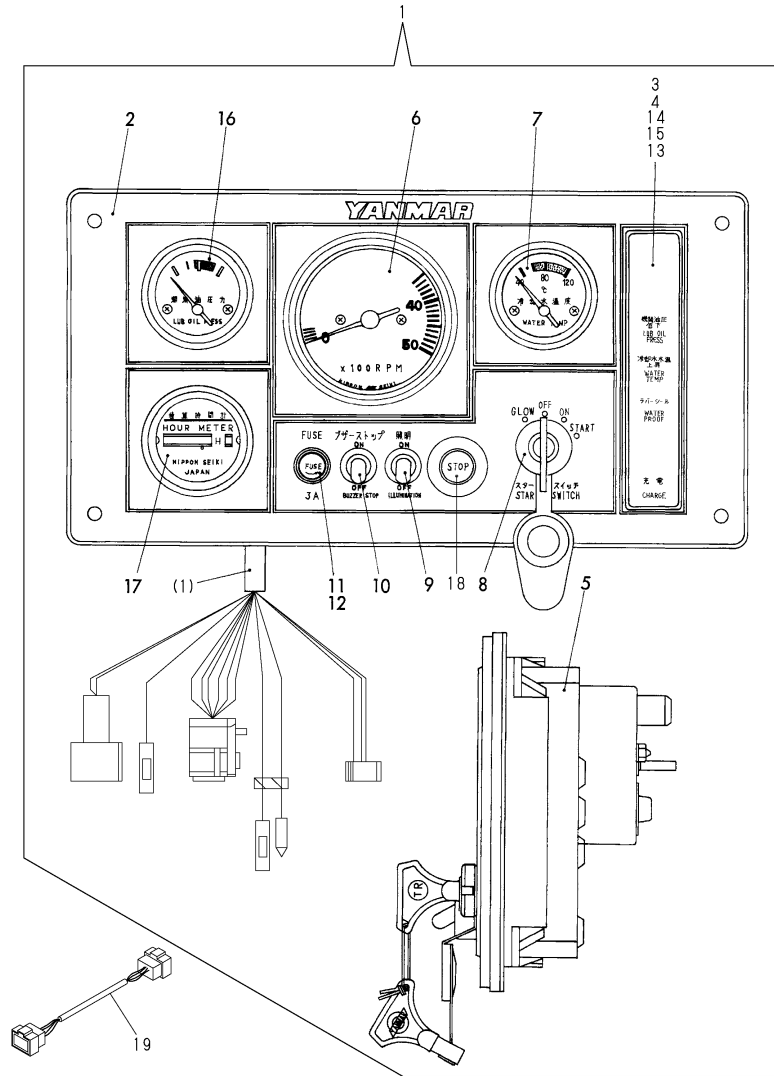
(A)=3JH3E (D)=
(B)=3JH3E(EPA) (E)=
(C)=3JH3CE (F)=

REF.	LEV.	PARTS NO.	DESCRIPTION	QTY						I	R
				(A)	(B)	(C)	(D)	(E)	(F)		
1	1	129171-91171	PANEL ASSY, INSTRUM	1	1	1					
I 1-1	1	129171-91172 (A=*1999.10) (B=E/#A00583) (C=*1999.10)	PANEL ASSY	1	1	1					S
I 1-2	1	129171-91172 (A=*2001.07) (B=E/#A02522) (C=*2001.07)	PANEL ASSY	1	1	1					Z 1
2	2	129470-91180	BODY, PANEL(C-TYPE)	1	1	1					
3	2	129171-91600	PILOT LENS ASSY	1	1	1					
4	3	127410-91600	LENS	1	1	1					
5	2	127410-91620	BODY, PILOT BOX	1	1	1					
6	2	129171-91200	TACHOMETER	1	1	1					
7	2	124617-91840	THERMOMETER	1	1	1					
8	2	121575-91250	SWITCH W/KEY	1	1	1					
9	2	127687-91790	SWITCH	1	1	1					
10	2	128270-91350	BUZZER, ALARM	1	1	1					
11	2	46150-003610	BOX, FUSE	1	1	1					
12	3	46150-003620	FUSE	1	1	1					
13	2	129171-91880	HARNES, WIRE	1	1	1					
14	2	124617-91920	BULB	1	1	1					
15	2	194555-55820	BULB 12V-1.7W	7	7	7					
16	2	129470-91160	GAUGE, OIL PRESSURE	1	1	1					
I 16-1	2	129470-91161 (A=*1999.10) (B=E/#A00583) (C=*1999.10)	METER	1	1	1					S
17	2	157854-04300	hour meter	1	1	1					
18	2	129470-91190	STOPPER	1	1	1					
I 19	1	129574-77860 (A=*2001.07) (B=E/#A02522) (C=*2001.07)	HARNES ADAPTER 12V	1	1	1					Z

Fig.42.INSTRUMENT PANEL(C-TYPE,NEW)

Y00R4661

Fig. **42** 計器盤 (Cタイプ, 新形)
INSTRUMENT PANEL (C-TYPE, NEW)



Remarks
(1)INTERCHANGEABLE BY SIMULTANEOUS
REPLACEMENT WITH REF.NO.19.

(A)=3JH3E (D)=
(B)=3JH3E(EPA) (E)=
(C)=3JH3CE (F)=

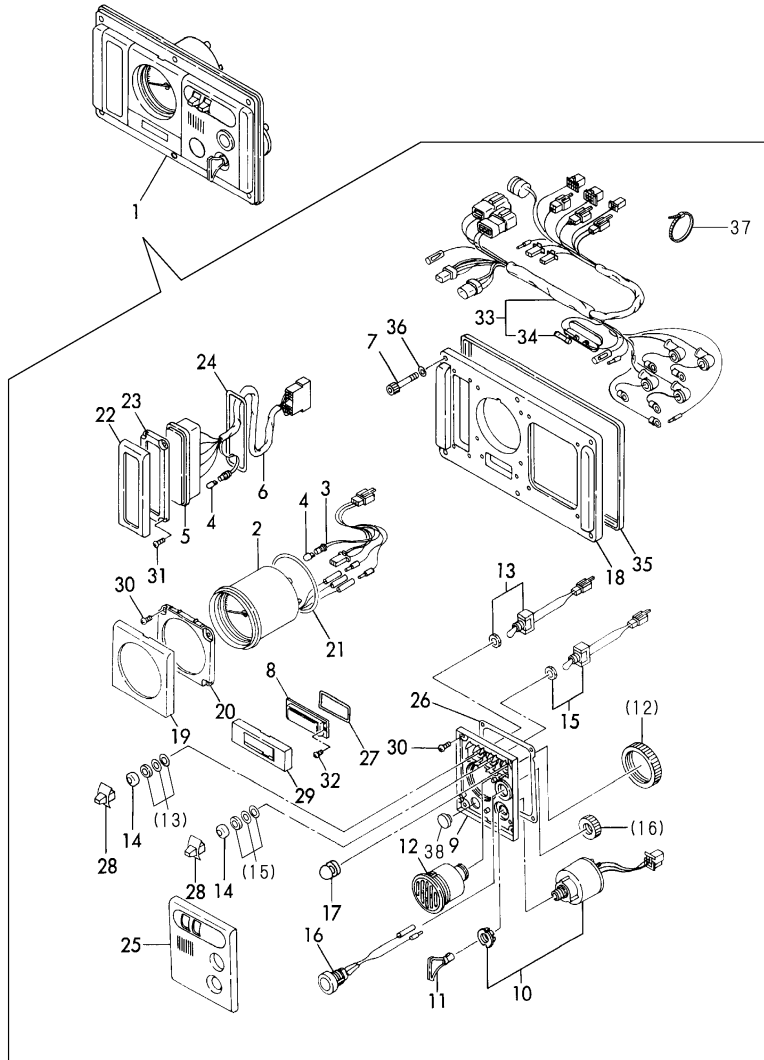
REF.	LEV.	PARTS NO.	DESCRIPTION	QTY						I	R
				(A)	(B)	(C)	(D)	(E)	(F)		
I	1	129171-91173 (A=*2001.07) (B=E/#A02522) (C=*2001.07)	PANEL ASSY	1	1	1					W
I	1-1	129171-91174 (A=*2002.02) (B=E/#A02975) (C=*2002.02)	PANEL ASSY	1	1	1					F 1
	2	129470-91180	BODY, PANEL(C-TYPE)	1	1	1					
	3	129171-91600	PILOT LENS ASSY	1	1	1					
	4	127410-91600	LENS	1	1	1					
	5	127410-91620	BODY, PILOT BOX	1	1	1					
	6	129171-91200	TACHOMETER	1	1	1					
	7	124617-91840	THERMOMETER	1	1	1					
	8	121575-91250	SWITCH W/KEY	1	1	1					
	9	127687-91790	SWITCH	1	1	1					
	10	128270-91350	BUZZER, ALARM	1	1	1					
	11	46150-003610	BOX, FUSE	1	1	1					
	12	46150-003620	FUSE	1	1	1					
	13	127410-91610	RETAINER	1	1	1					
	14	124617-91920	BULB	1	1	1					
	15	194555-55820	BULB 12V-1.7W	7	7	7					
	16	129470-91161	METER	1	1	1					
	17	157854-04300	HOUR METER	1	1	1					
	18	129470-91190	STOPPER	1	1	1					
I	19	129670-77990 (A=*2002.02) (B=E/#A02975) (C=*2002.02)	ADAPTER(CONNECTOR)	1	1	1					W

Fig.43.INSTRUMENT PANEL(B,NEW-TYPE)

(A)=3JH3E (D)=
 (B)=3JH3E(EPA) (E)=
 (C)=3JH3CE (F)=

Y00R4661

Fig. **43** 計器盤 (B, 新タイプ)
 INSTRUMENT PANEL (B, NEW-TYPE)

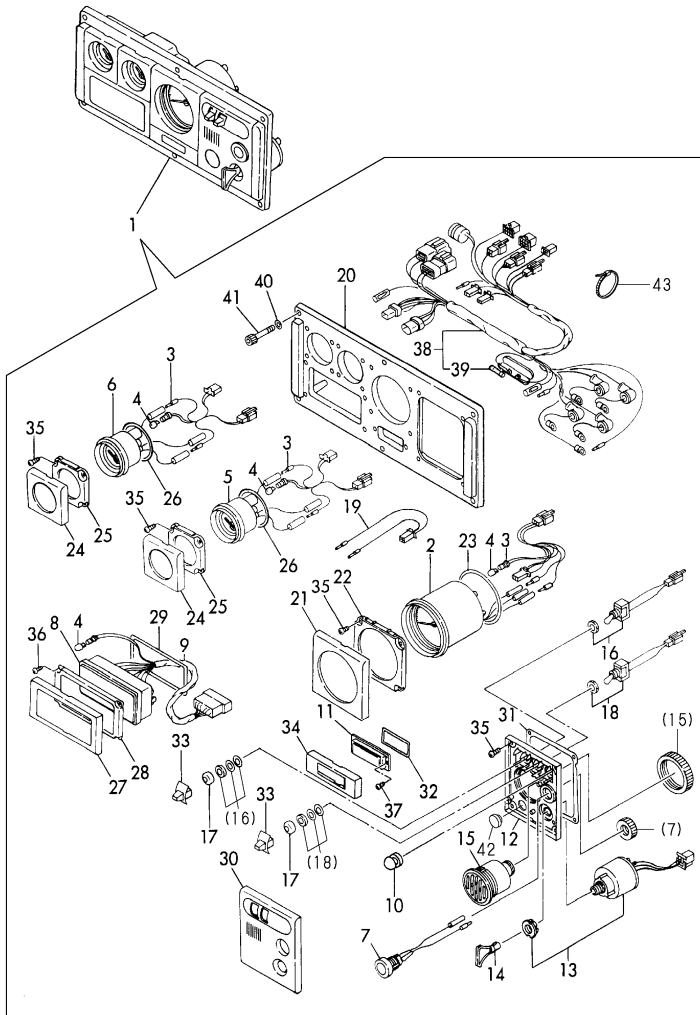


REF.	LEV.	PARTS NO.	DESCRIPTION	QTY						I	R	
				(A)	(B)	(C)	(D)	(E)	(F)			
I	1	1	129670-91130 (A=E/#E20336)	PANEL ASSY,B NEW (C=E/#E20336)	1	1	1					W
	2	2	119773-91200	METER, TACHO./HOUR	1	1	1					
	3	2	129574-91870	WIRE	1	1	1					
	4	2	124617-91980	BULB	5	5	5					
	5	2	128391-91260	BOX ASSY, LAMP	1	1	1					
	6	2	128391-91860	WIRE	1	1	1					
	7	2	127687-91870	BOLT 6X 35	6	6	6					
	8	2	129170-91650	COVER	1	1	1					
	9	2	129574-91410	BRACKET	1	1	1					
	10	2	121575-91250	SWITCH W/KEY	1	1	1					
	11	2	123482-91291	KEY, SWITCH	1	1	1					
	12	2	104271-91352	BUZZER	1	1	1					
	13	2	129170-91800	SWITCH	1	1	1					
	14	2	129574-91780	CAP	2	2	2					
	15	2	129574-91790	SWITCH	1	1	1					
	16	2	129470-91190	STOPPER	1	1	1					
	17	2	129170-91810	BLIND	1	1	1					
	18	2	128391-91930	PANEL	1	1	1					
	19	2	129574-91620	COVER	1	1	1					
	20	2	129574-91420	BRACKET	1	1	1					
	21	2	129574-91720	GASKET	1	1	1					
	22	2	128391-91640	COVER	1	1	1					
	23	2	128391-91440	PLATE	1	1	1					
	24	2	128391-91740	GASKET	1	1	1					
	25	2	129170-91610	COVER	1	1	1					
	26	2	129574-91710	GASKET	1	1	1					
	27	2	129574-91750	GASKET	1	1	1					
	28	2	129574-91770	KNOB	2	2	2					
	29	2	129574-91650	COVER	1	1	1					
	30	2	127692-91410	SCREW	8	8	8					
	31	2	127692-91440	SCREW	4	4	4					
	32	2	127692-91450	SCREW	2	2	2					
	33	2	129570-91850	HARNES,MAIN WIRE(B)	1	1	1					
	34	3	124617-91990	FUSE (3A)	1	1	1					
	35	2	128391-91700	PACKING	1	1	1					
	36	2	127687-91880	WASHER	6	6	6					
	37	2	198451-78680	CLAMP,CORD	1	1	1					
	38	2	129574-91760	BLIND	1	1	1					

Fig.44.INSTRUMENT PANEL(C,NEW-TYPE,PR

Y00R4661

Fig. 44 計器盤 (C, 新タイプ, 旧形)
INSTRUMENT PANEL (C, NEW-TYPE, PREVIOUS)



Remarks
(1)INTERCHANGEABILITY IS <N> WITH
FIG.45 REF.NO.1.

(A)=3JH3E (D)=
(B)=3JH3E(EPA) (E)=
(C)=3JH3CE (F)=

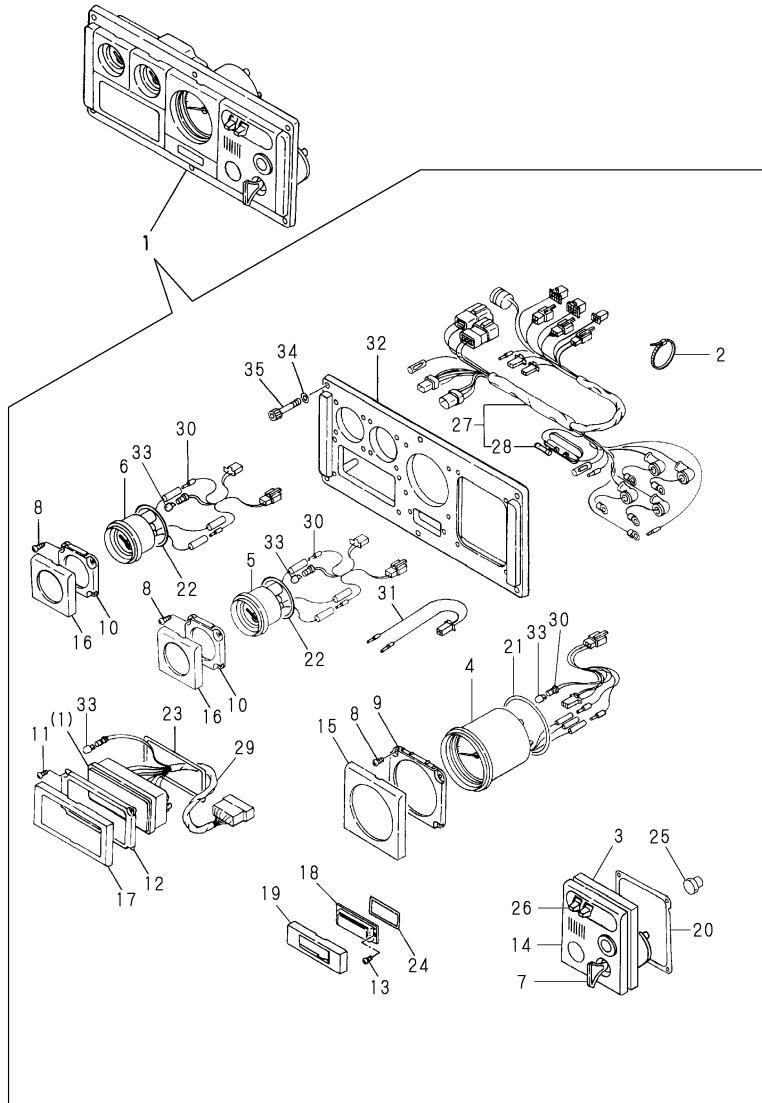
REF.	LEV.	PARTS NO.	DESCRIPTION	QTY						I	R
				(A)	(B)	(C)	(D)	(E)	(F)		
I	1	129670-91160 (A=E/#E20336)	PANEL ASSY, C NEW (C=E/#E20336)	1	1	1					W
I	1-1	129670-91161 (A=*1999.10)	PANEL ASSY, C NEW (B=E/#A00583) (C=*1999.10)	1	1	1					S
I	1-2	129670-91161 (A=*2002.01)	PANEL ASSY, C NEW (B=E/#A02945) (C=*2002.01)	1	1	1					Z 1
	2	119773-91200	METER, TACHO./HOUR	1	1	1					
	3	129574-91870	WIRE	3	3	3					
	4	124617-91980	BULB	7	7	7					
	5	129574-91210	METER	1	1	1					
I	6	129574-91220 (A=E/#E20336)	METER (C=E/#E20336)	1	1	1					W
I	6-1	129574-91221 (A=*1999.10)	METER (B=E/#A00583) (C=*1999.10)	1	1	1					S
	7	129470-91190	STOPPER	1	1	1					
	8	129170-91260	BOX ASSY, LAMP	1	1	1					
	9	129170-91860	WIRE W/BULB	1	1	1					
	10	129170-91810	BLIND	1	1	1					
	11	129170-91650	COVER	1	1	1					
	12	129574-91410	BRACKET	1	1	1					
	13	121575-91250	SWITCH W/KEY	1	1	1					
	14	123482-91291	KEY, SWITCH	1	1	1					
	15	104271-91352	BUZZER	1	1	1					
	16	129170-91800	SWITCH	1	1	1					
	17	129574-91780	CAP	2	2	2					
	18	129574-91790	SWITCH	1	1	1					
	19	129170-91890	WIRE	1	1	1					
	20	129170-91930	PANEL	1	1	1					
	21	129574-91620	COVER	1	1	1					
	22	129574-91420	BRACKET	1	1	1					
	23	129574-91720	GASKET	1	1	1					
	24	129574-91630	COVER	2	2	2					
	25	129574-91430	BRACKET	2	2	2					
	26	129574-91730	GASKET	2	2	2					
	27	129574-91640	COVER	1	1	1					
	28	129574-91440	BRACKET	1	1	1					
	29	129574-91740	GASKET	1	1	1					
	30	129170-91610	COVER	1	1	1					
	31	129574-91710	GASKET	1	1	1					
	32	129574-91750	GASKET	1	1	1					
	33	129574-91770	KNOB	2	2	2					
	34	129574-91650	COVER	1	1	1					
	35	127692-91410	SCREW	16	16	16					
	36	127692-91440	SCREW	4	4	4					
	37	127692-91450	SCREW	2	2	2					
	38	129170-91850	HARNES, WIRE	1	1	1					
	39	124617-91990	FUSE (3A)	1	1	1					
	40	127687-91880	WASHER	6	6	6					
	41	127687-91870	BOLT 6X 35	6	6	6					
	42	129574-91760	BLIND	1	1	1					
	43	198451-78680	CLAMP,CORD	2	2	2					

(A)=3JH3E (D)=
 (B)=3JH3E(EPA) (E)=
 (C)=3JH3CE (F)=

Fig.45.INSTRUMENT PANEL(C,NEW-TYPE,NE

Y00R4661

Fig. 45 計器盤 (C, 新タイプ, 新形)
 INSTRUMENT PANEL (C, NEW-TYPE, NEW)



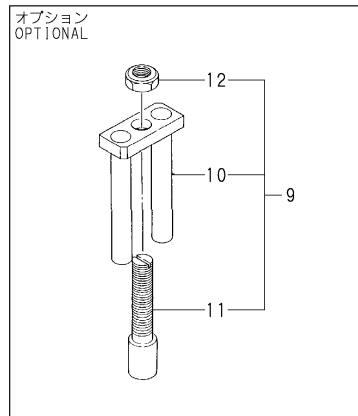
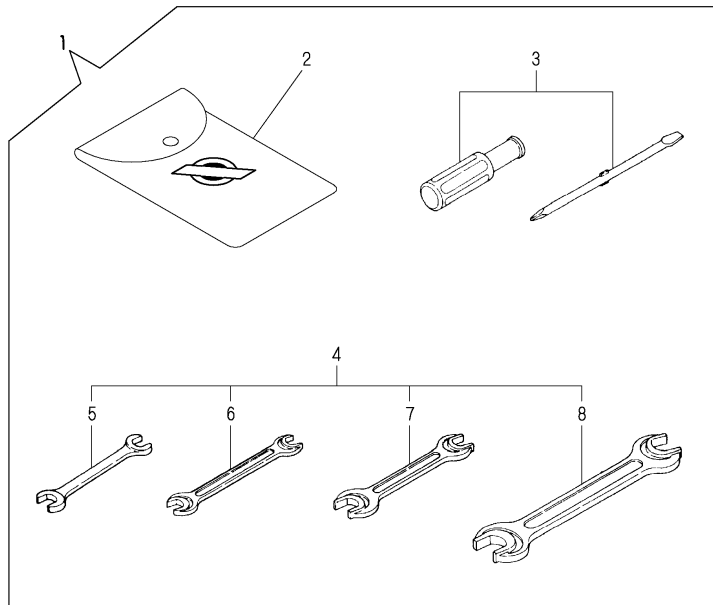
REF.	LEV.	PARTS NO.	DESCRIPTION	QTY						I	R
				(A)	(B)	(C)	(D)	(E)	(F)		
I	1	129670-91162 (A=*2002.01) (B=E/#A02945)	IMSTRUMENT PANEL (C=*2002.01)	1	1	1					W
	2	198451-78680	CLAMP, CORD	2	2	2					
	3	129470-91191	BOX ASSY, SW	1	1	1					
	4	119773-91200	METER, TACHO./HOUR	1	1	1					
	5	129574-91210	METER	1	1	1					
	6	129574-91222	METER	1	1	1					
	7	123482-91291	KEY, SWITCH	1	1	1					
	8	127692-91410	SCREW	16	16	16					
	9	129574-91420	BRACKET	1	1	1					
	10	129574-91430	BRACKET	2	2	2					
	11	127692-91440	SCREW	4	4	4					
	12	129574-91440	BRACKET	1	1	1					
	13	127692-91450	SCREW	2	2	2					
	14	129170-91610	COVER	1	1	1					
	15	129574-91620	COVER	1	1	1					
	16	129574-91630	COVER	2	2	2					
	17	129574-91640	COVER	1	1	1					
	18	129170-91650	COVER	1	1	1					
	19	129574-91650	COVER	1	1	1					
	20	129574-91710	GASKET	1	1	1					
	21	129574-91720	GASKET	1	1	1					
	22	129574-91730	GASKET	2	2	2					
	23	129574-91740	GASKET	1	1	1					
	24	129574-91750	GASKET	1	1	1					
	25	129574-91760	BLIND	1	1	1					
	26	129574-91770	KNOB	2	2	2					
	27	129170-91850	HARNESS, WIRE	1	1	1					
	28	124617-91990	FUSE (3A)	1	1	1					
	29	129170-91860	WIRE W/BULB	1	1	1					
	30	129574-91870	WIRE	3	3	3					
	31	129574-91890	WIRE	1	1	1					
	32	129170-91930	PANEL	1	1	1					
	33	124617-91980	BULB	7	7	7					
	34	127687-91880	WASHER	6	6	6					
	35	127687-91870	BOLT 6X 35	6	6	6					

Fig.46.TOOL

(A)=3JH3E (D)=
 (B)=3JH3E(EPA) (E)=
 (C)=3JH3CE (F)=

Y00R4661

Fig. **46** 工具
 TOOL

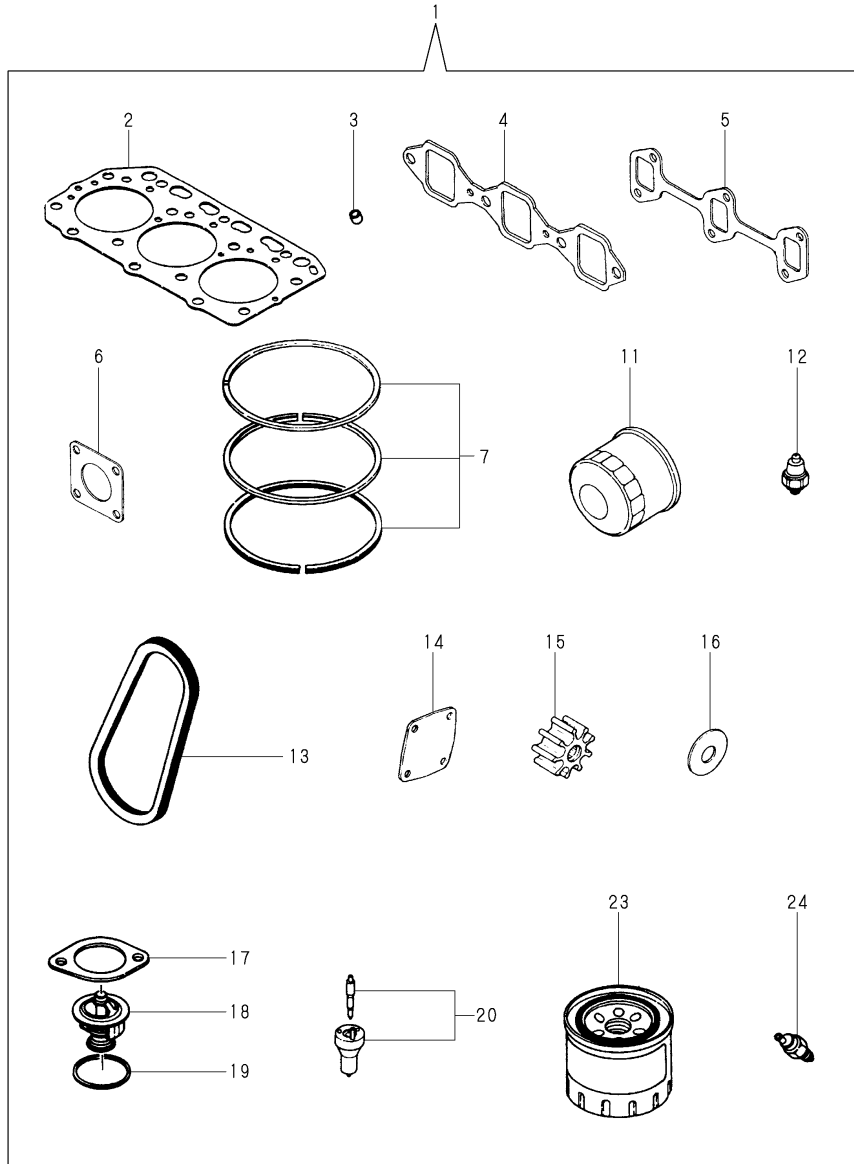


REF.	LEV.	PARTS NO.	DESCRIPTION	QTY						I	R	
				(A)	(B)	(C)	(D)	(E)	(F)			
1	1	129270-92100	TOOL BOX SET	1	1	1						
2	2	129270-92600	TOOL BAG	1	1	1						
3	2	129270-92650	DRIVER	1	1	1						
4	2	129270-92690	SPANNER SET	1	1	1						
5	3	129270-92610	SPANNER 10X13	1	1	1						
6	3	129270-92620	SPANNER 12X14	1	1	1						
7	3	129270-92630	SPANNER 17X19	1	1	1						
8	3	129270-92640	SPANNER 22X24	1	1	1						
9	1	129470-92300	TOOL ASSY.	1	1	1						
10	2	129470-92310	RETAINER(A,F.I.VALVE	1	1	1						
11	2	129470-92320	RETAINER(B,F.I.VALVE	1	1	1						
12	2	26716-120002	NUT 12	1	1	1						

Fig.47.SPARE PART(OPTIONAL)

Y00R4661

Fig. 47 スペアパーツ (オプション)
SPARE PART (OPTIONAL)



(A)=3JH3E (D)=
(B)=3JH3E(EPA) (E)=
(C)=3JH3CE (F)=

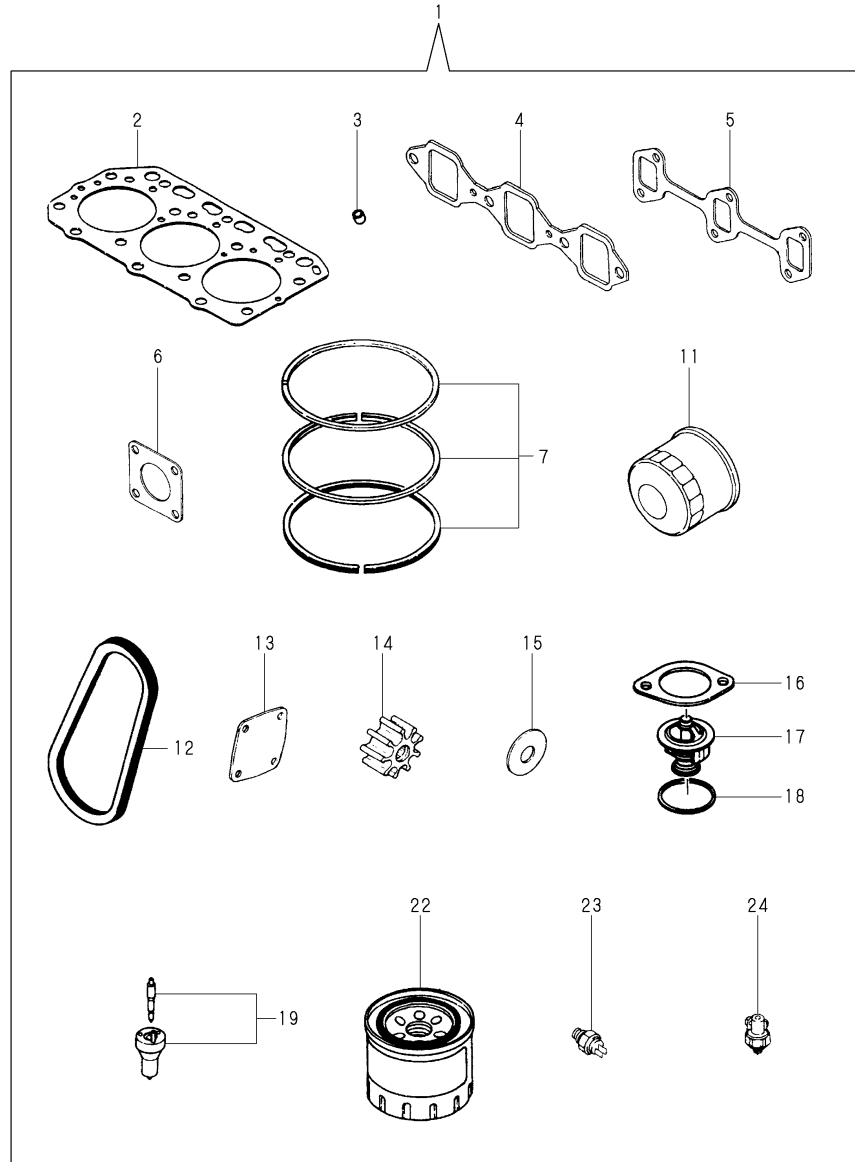
REF.	LEV.	PARTS NO.	DESCRIPTION	QTY						I	R	
				(A)	(B)	(C)	(D)	(E)	(F)			
1	1	729270-92500	REPAIR PART ASSY	1	1	1						
2	2	129002-01331	GASKET, CYL. HEAD	1	1	1						
3	2	119625-11871	PROTECTOR, NOZZLE	3		3						
I	3-1	119625-11870	PROTECTOR, NOZZLE	3	3	3						N
		(A=E/#E20456)	(C=E/#E20456)									
4	2	129150-12111	GASKET, (NON-ASB.)	1	1	1						
5	2	129150-13110	GASKET, EXH.MANIFOLD	1	1	1						
6	2	129472-18090	GASKET	1	1	1						
7	2	129002-22510	RING SET, PISTON	3	3	3						
11	2	119305-35150	FILTER, LUB. OIL	1	1	1						
12	2	124060-39451	SENDER, OIL PRESSURE	1	1	1						
I	12-1	124060-39452	SENDER, OIL PRESSURE	1	1	1						N
		(A=*2000.12)	(B=E/#A01952)	(C=*2000.12)								
13	2	171087-42280	V-BELT	1	1	1						
14	2	129670-42520	COVER	1	1	1						
15	2	129670-42530	IMPELLER	1	1	1						
16	2	129670-42540	PLATE	1	1	1						
17	2	129795-49551	GASKET, (NON-ASB.)	1	1	1						
18	2	129470-49801	THERMOSTAT	1	1	1						
19	2	129470-49810	GASKET, (NON-ASB.)	1	1	1						
20	2	129468-53000	NOZZL ASSY,F.INJECT	3	3	3						
23	2	129470-55701	STRAINER ASSY, FUEL	1	1	1						
24	2	120130-91370	SWITCH, THERMO(100C	1	1	1						

(A)=3JH3E (D)=
 (B)=3JH3E(EPA) (E)=
 (C)=3JH3CE (F)=

Fig.48.SPARE PART(EARTH FLOAT TYPE,OP

Y00R4661

Fig. **48** スペアパーツ (2線式, オプション)
 SPART (EARTH FLOAT TYPE, OPTIONAL)



REF.	LEV.	PARTS NO.	DESCRIPTION	QTY						I	R
				(A)	(B)	(C)	(D)	(E)	(F)		
1	1	729270-92520	REPAIR PART ASSY	1	1	1					
2	2	129002-01331	GASKET, CYL. HEAD	1	1	1					
3	2	119625-11871	PROTECTOR, NOZZLE	3		3					
I	3-1	119625-11870 (A=E/#E20456)	PROTECTOR, NOZZLE (C=E/#E20456)	3	3	3					N
4	2	129150-12111	GASKET, (NON-ASB.)	1	1	1					
5	2	129150-13110	GASKET, EXH.MANIFOLD	1	1	1					
6	2	129472-18090	GASKET	1	1	1					
7	2	129002-22510	RING SET, PISTON	3	3	3					
11	2	119305-35150	FILTER, LUB. OIL	1	1	1					
12	2	171087-42280	V-BELT	1	1	1					
13	2	129670-42520	COVER	1	1	1					
14	2	129670-42530	IMPELLER	1	1	1					
15	2	129670-42540	PLATE	1	1	1					
16	2	129795-49551	GASKET, (NON-ASB.)	1	1	1					
17	2	129470-49801	THERMOSTAT	1	1	1					
18	2	129470-49810	GASKET, (NON-ASB.)	1	1	1					
19	2	129468-53000	NOZZL ASSY,F.INJECT	3	3	3					
22	2	129470-55701	STRAINER ASSY, FUEL	1	1	1					
23	2	129570-91320	SWITCH, THERMO(100C	1	1	1					
24	2	126630-91591	SWITCH,OIL PRESSURE	1	1	1					