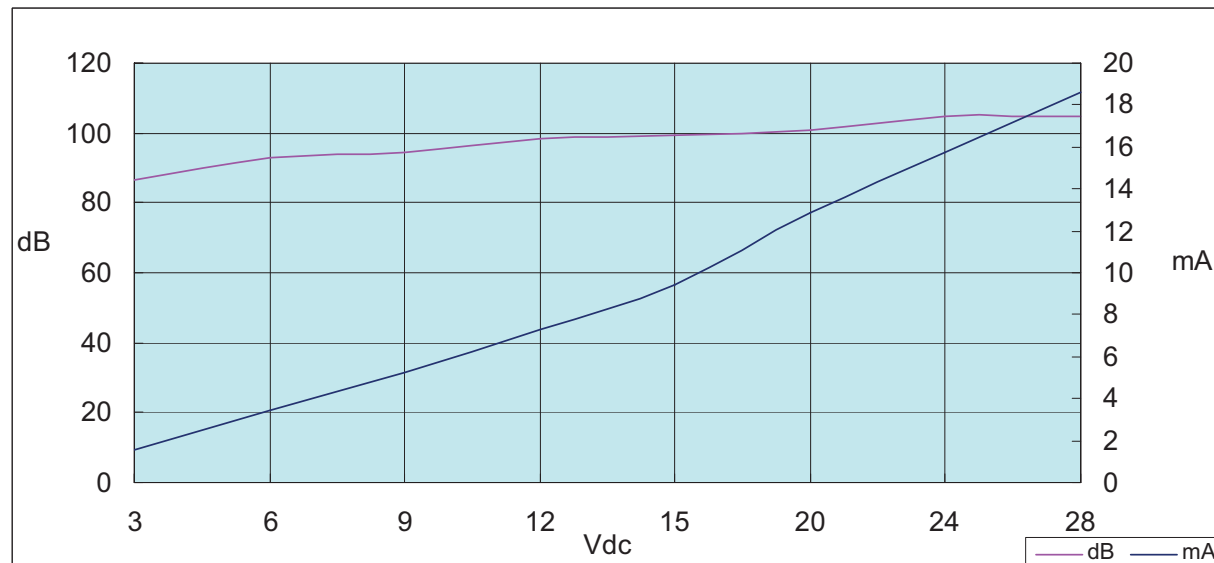


1 . Electrical Characteristics

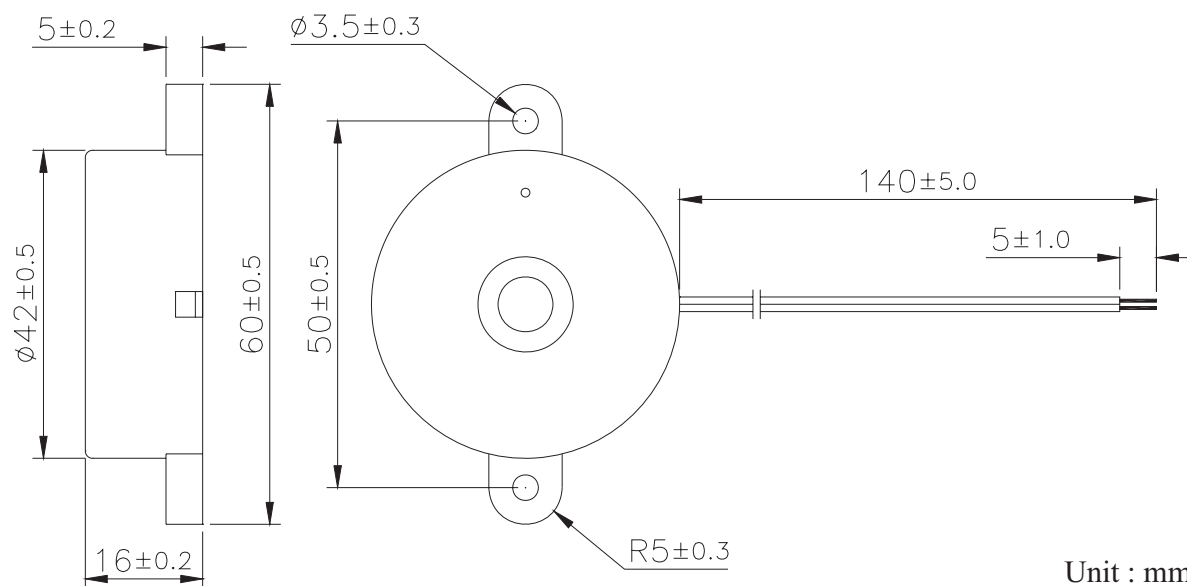
| | |
|--------------------------------|-----------------------------|
| Oscillation Frequency (KHz) | 2.9 ± 0.5 |
| Operating Voltage (Vdc) | 3 ~ 28 |
| Rated Voltage (Vdc) | 12 |
| Current Consumption (mA/max.) | 10 at Rated Voltage |
| Sound Pressure Level (dB/min.) | 90 at 30cm at Rated Voltage |
| Tone/Pulse Rate | Constant |
| Operating Temperature (°C) | -20 ~ +70 |
| Storage Temperature (°C) | -30 ~ +80 |
| Manual soldering conditions | 350±20°C / within 5sec |

2 . Voltage/ Current / Sound Pressure



3 . Dimensions and Material

3-1 Shape



3-2 Material

| | |
|---------------|---|
| Housing | ABS 777D UL94HB plastic resin (Color : Black) |
| Leading Wire | 28 AWG |
| Weight (Gram) | 12.8 |

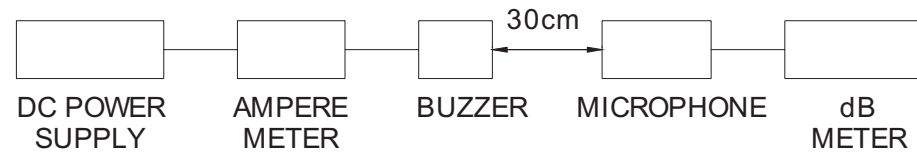
4. TESTING METHOD

• *Standard Measurement conditions*

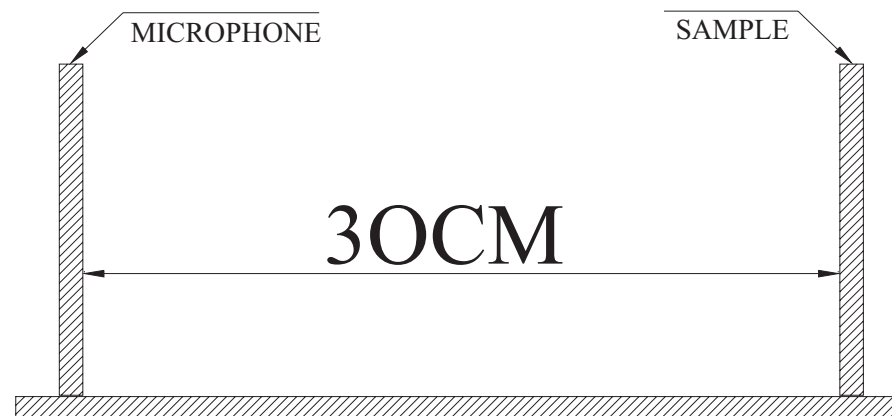
Temperature: $25 \pm 2^\circ\text{C}$ Humidity: 45-60%

• *Acoustic Characteristics*

The oscillation frequency, current consumption and sound pressure are measured by the measuring instruments shown below.



In the measuring test, buzzer is placed as follows:



5. RELIABILITY

| ITEMS | METHOD OF TEST AND MEASUREMENTS | PERFORMANCE |
|---------------------------|--|----------------------------|
| Coldness withstanding | After 98 hours of being exposed to -30 °C environment, should be returned to normal environment for 2 hours, then re-proceed to test. | No abnormality shall exist |
| Hotness withstanding | After 98 hours of being exposed to +80 °C environment, should be returned to normal environment for 2 hours, then re-proceed to test. | No abnormality shall exist |
| Humidity withstanding | After 98 hours of being exposed to 40 °C 95%RH environment in actual operation, should be returned to normal environment for 2 hours, then re-proceed to test. | No abnormality shall exist |
| Durability | Testing after 1,000 hours actual continuous operation.(at standard measurement conditions) | No abnormality shall exist |
| Drop withstanding | A natural drop from 75cm high down to the ground. | No abnormality shall exist |
| Vibration withstanding | Vibration of 2,000 cycles per minute, 2mm amplitude, applied in X, Y and Z directions for 30 minutes each. | No abnormality shall exist |

6. PACKAGE METHOD

< 1 > 100pcs per box , Total 10 boxes per carton , total 1000pcs carton;
 Volume: L*W*H=510*330*300mm

< 2 > RoHS Mark

