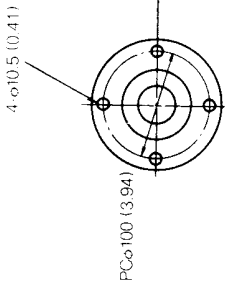
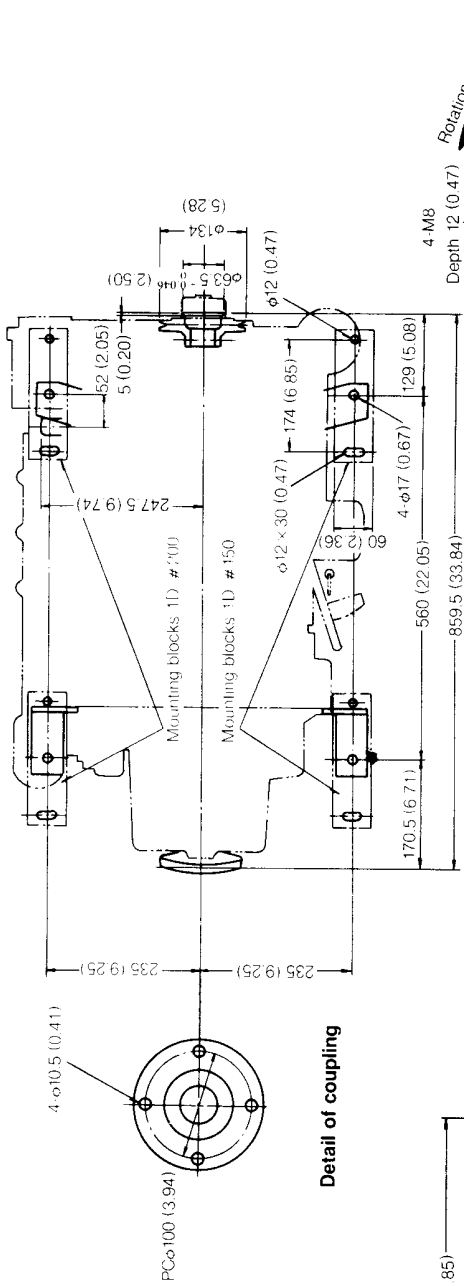
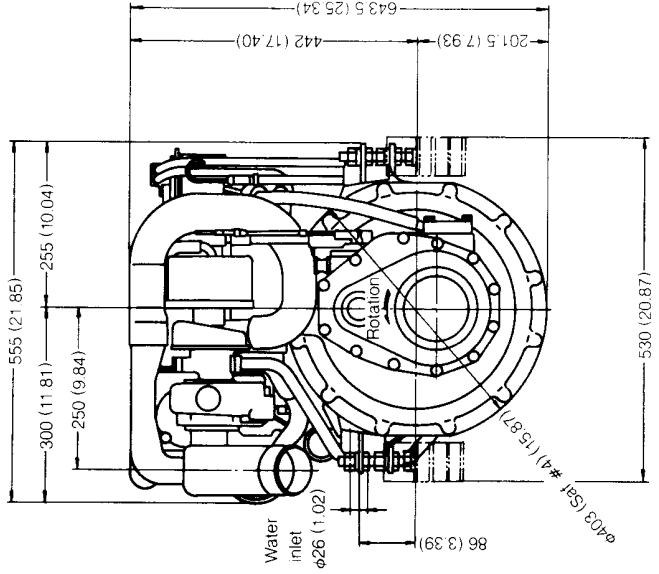


6-4.4JH-DTE



Detail of coupling



Detail of pulley

