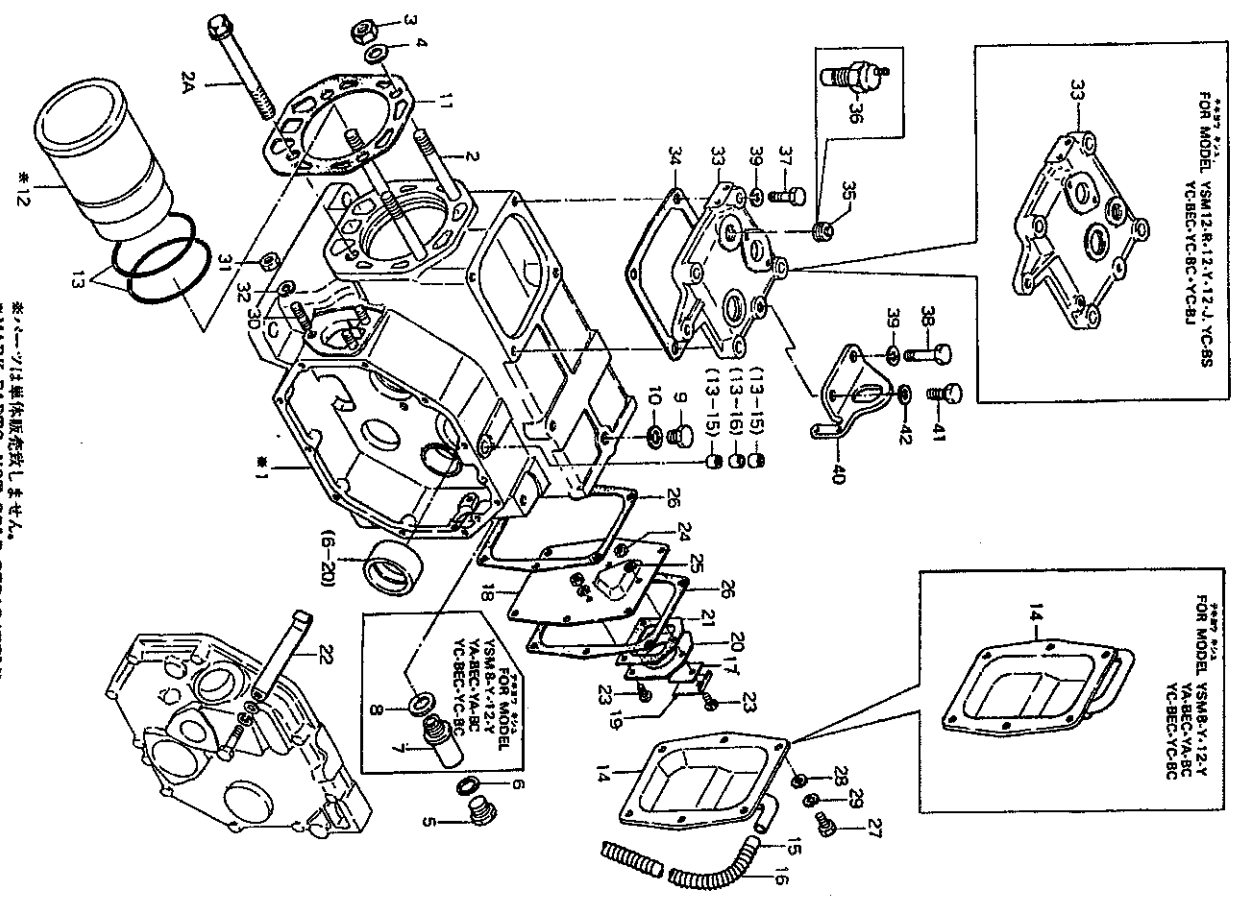


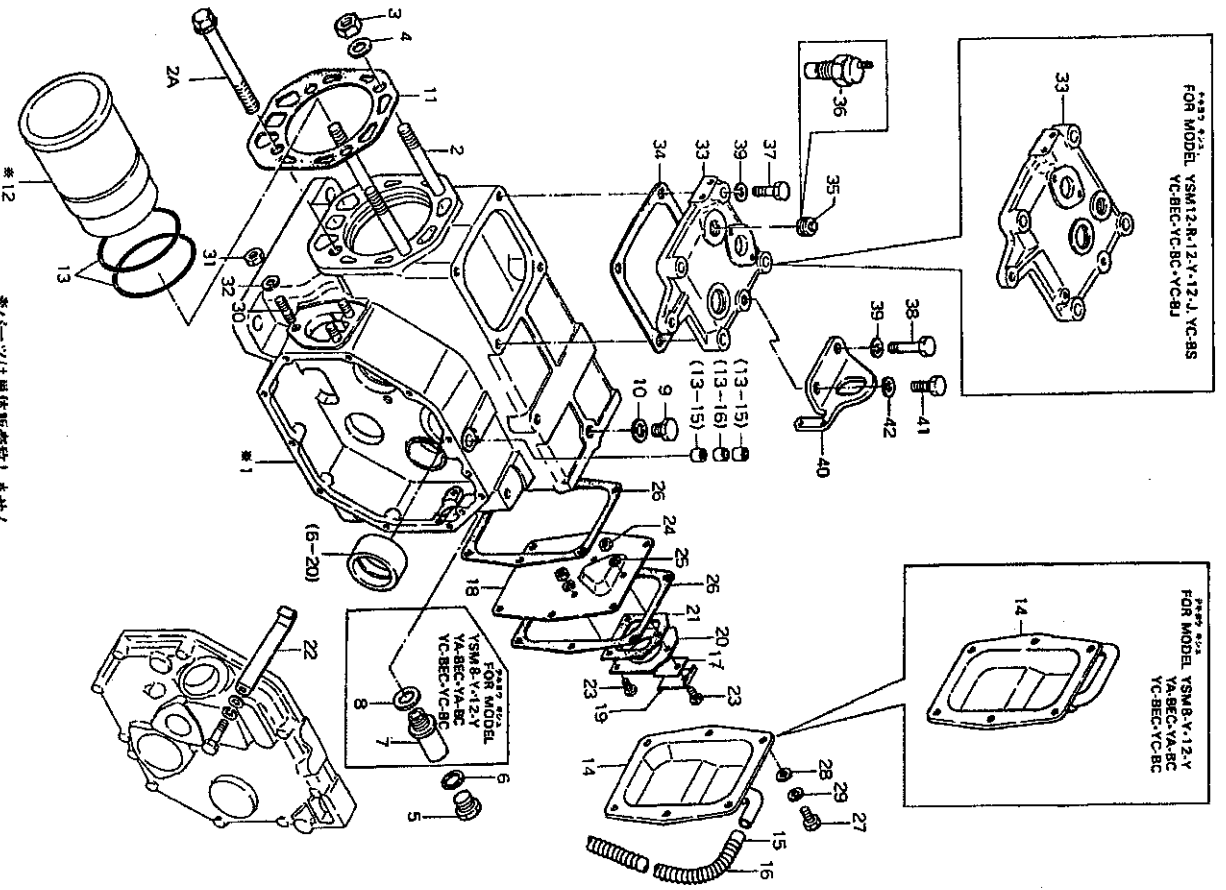
N° Réf.	N° Pièce	Désignation
1-1	704271-01560 704571-01560 *	Block Assy, Cylinder Block Assy, Cylinder Block, Cylinder 298-4l-241h
1-1	*	Block, Cylinder 358l-279h
1-2	104200-01201 106100-01200	Stud, Cyl. Head 12d-122l Stud, Cyl. Head 12d-122l
1-2	104300-01200 106300-01200	Stud, Cyl. Head 13d-132l Stud, Cyl. Head 13d-132l
1-2a	106100-01210	Bolt, Cyl. Head
1-2a	106300-01210	Bolt, Cyl. Head
1-3	101158-01220 101158-01220	Nut, Cyl. Head Lock 12.6od-12l Nut, Cyl. Head Lock 12.6od-12l
1-3	104300-01200 104300-01200	Nut, Cyl. Head Lock 25.4od-11l Nut, Cyl. Head Lock 25.4od-11l
1-4	104200-01240 104200-01240	Washer, Cyl. Head Lock Nut 20d-4t Washer, Cyl. Head Lock Nut 20d-4t
1-4	103338-01240 103338-01240	Washer, Cyl. Head Lock Nut 22d-4t Washer, Cyl. Head Lock Nut 22d-4t
1-4	104200-02100 (104500-02100)	Main Bearing Main Bearing
1-5	104200-01690	Plug, Drain 16d-28.5l
1-6	23414-160000	Packing 16, Drain Plug
1-7	104407-01630	Pipe, Drain 27.7d-75.5l
1-8	23414-160000	Packing, Drain Pipe
1-8	(104211-61520)	Needle Bearing
1-8	(104211-61530)	Needle Bearing
1-9	23883-120002	Spacer, Needle Bearing
1-10	43400-500460	Plug M12
1-11	104264-01330	Seal Washer 12
1-11	104564-01330	Gasket, Cyl. Head
1-11	104564-01330	Gasket, Cyl. Head
1-11	104564-01331	Gasket, Cyl. Head

\*マークは機体販売致しません。  
\* MARK PARTS: NOT SOLD SEPARATELY.



No. Réf.	N° Pièce	Designation
1-11	704200-01900	Liner Assy, Cylinder
1-11	704500-01900	Liner Assy, Cylinder
1-12	*	Liner, Cylinder 90.50d-138l
1-12	*	Liner, Cylinder 105.0d-164l
1-13	101204-01300	Packing (rubber) 3.1f-90.60d
1-13	103338-01300	Packing (rubber) 3.1f-104.10d
1-14	104271-01480	Cover, Cyl. Rear 154h-120w
1-14	104272-01480	Cover, Cyl. Rear 154h-120w
1-15	(104271-03200)	Pipe, Air Breather 9x385
1-15	104571-03200	Pipe, Air Breather 9x460
1-15	(104200-03180)	Pipe, (Vrny) 9x220
1-15	(104200-03180)	Pipe, (Vrny) 9x220
1-16	104271-03220	Protector, Breather Pipe
1-17	104104-03060	Valve, Air Breather Check 22w-33l
1-18	104104-03080	Plate, Breather Baffle 117w-170l
1-18	104504-03080	Plate, Breather Baffle 117w-170l
1-19	104104-03110	Plate, Check Valve Fix 22w-34.5l
1-20	104104-03120	Retainer, Check Valve 55w-72l
1-21	104104-03130	Packing, Plate 55w-72l
1-22	104271-03230	Clamp, Breather Pipe
1-23	26557-040102	Screw M4x10
1-24	26716-040002	Nut M4
1-25	22217-040000	Spring Washer 4
1-26	104200-01490	Packing, Rear Cover 114w-148h
1-27	26116-060142	Bolt M6x14
1-28	22117-060000	Washer 6
1-29	22217-060000	Spring Washer 6
1-30	26216-080222	Stud M8x22
1-31	26716-080002	Nut M8
1-32	22217-080000	Spring Washer 8
1-33	104271-01850	Upper Cover 158w-19h
1-34	104571-01850	Upper Cover 158w-19h
1-34	104200-44050	Packing, Upper Cover 120w-119l
1-35	104500-44050	Packing, Upper Cover 134w-148l
1-36	23873-030000	T-plug Pt3/8
1-37	46150-004530	Sender, C.w. Temp.
1-37	26116-080302	Bolt M8x30
1-37	26116-080302	Bolt M8x30
1-37	26116-080302	Bolt M8x30
1-37	26116-080302	Bolt M8x30
1-37	26116-100352	Bolt M10x35
1-37	26116-100352	Bolt M10x35
1-38	26116-080352	Bolt M10x35
1-38	26116-100402	Bolt M10x40
1-39	22217-080000	Spring Washer 8
1-39	22217-080000	Spring Washer 8
1-39	22217-100000	Spring Washer 10
1-39	22217-100000	Spring Washer 10
1-40	104271-07230	Bracket Eng. Sling 92w-66h
1-41	26116-080162	Bolt M8x16
1-42	22217-080000	Spring Washer 8

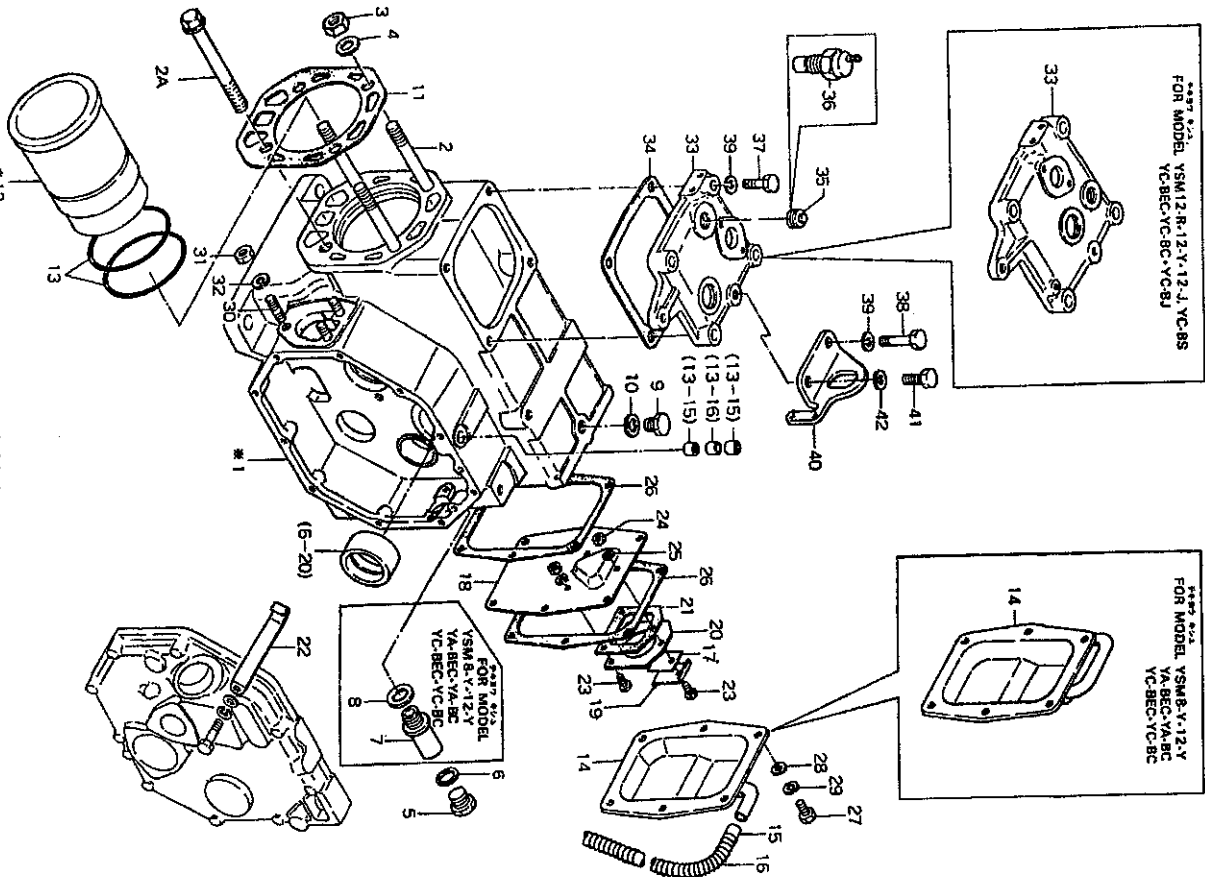
\*マークは単体販売致しません。  
\*MARK PARTS: NOT SOLD SEPARATELY.



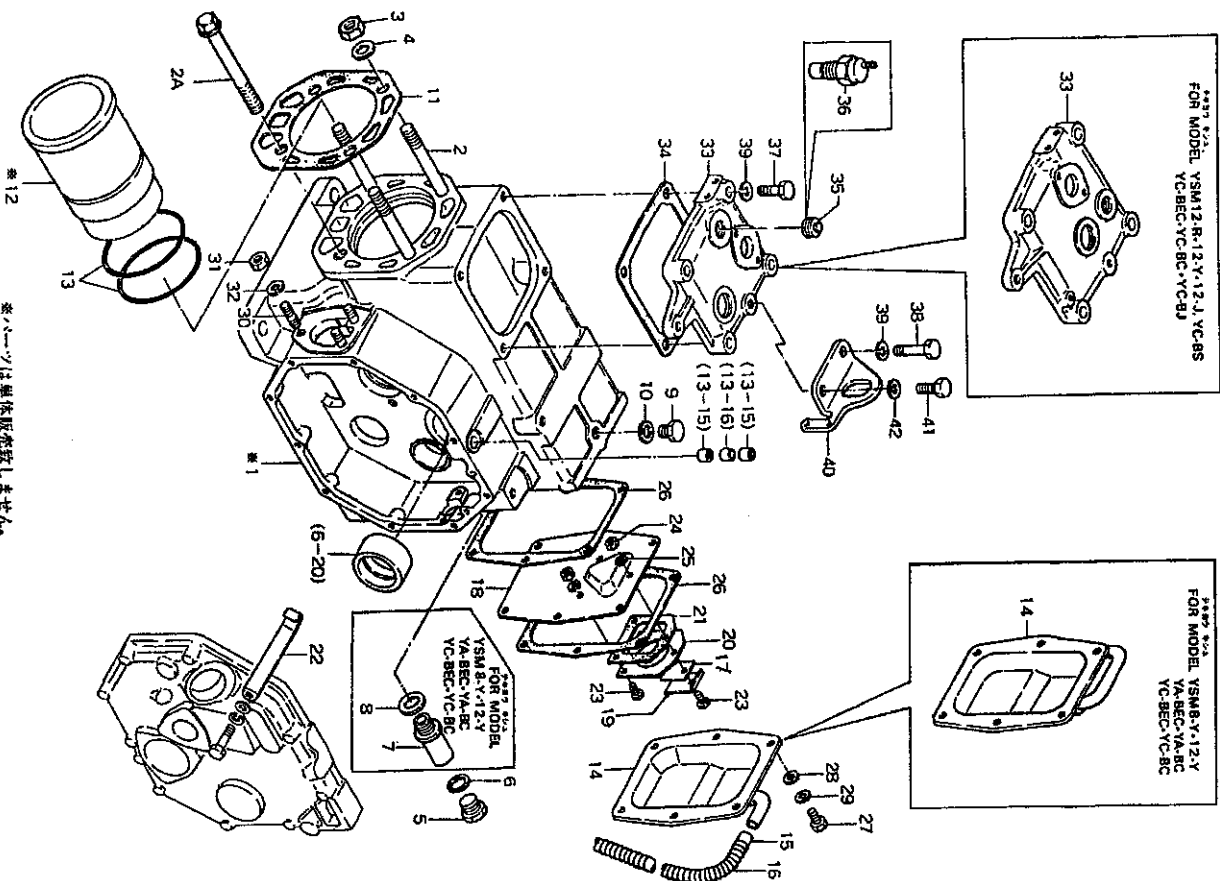
\*マークは標準部品ではありません。  
\* MARK PARTS: NOT SOLD SEPARATELY.

N° Réf.	N° Pièce	Désignation
1-1	704271-01560	Block Assy, Cylinder
1-1	704571-01560	Block Assy, Cylinder
1-1	*	Block, Cylinder 298-4I-241h
1-2	104200-01201	Block, Cylinder 358I-279h
1-2	106100-01200	Stud, Cyl. Head 12d-122i
1-2	106100-01200	Stud, Cyl. Head 12d-122i
1-2	104300-01200	Stud, Cyl. Head 13d-132i
1-2	106300-01200	Stud, Cyl. Head 13d-132i
1-2a	106100-01210	Bolt, Cyl. Head
1-2a	106300-01210	Bolt, Cyl. Head
1-3	101158-01220	Nut, Cyl. Head Lock 12.6od-12t
1-3	101158-01220	Nut, Cyl. Head Lock 12.6od-12t
1-3	104300-01200	Nut, Cyl. Head Lock 25.4od-11t
1-3	104300-01200	Nut, Cyl. Head Lock 25.4od-11t
1-4	104200-01240	Washer, Cyl. Head Lock Nut 20d-4t
1-4	104200-01240	Washer, Cyl. Head Lock Nut 20d-4t
1-4	103338-01240	Washer, Cyl. Head Lock Nut 22d-4t
1-4	103338-01240	Washer, Cyl. Head Lock Nut 22d-4t
6-20	(104200-02100)	Main Bearing
6-20	(104500-02100)	Main Bearing
1-5	104200-01690	Plug, Drain 16d-28.5l
1-6	23414-16000	Packing 16, Drain Plug
1-7	104407-01630	Pipe, Drain 27.7d-75.5l
1-8	23414-16000	Packing, Drain Pipe
13-45	(104211-61520)	Needle Bearing
13-16	(104211-61530)	Spacer, Needle Bearing
1-9	23883-120002	Plug M12
1-10	43400-500460	Seal Washer 12

**CYLINDER BLOCK**



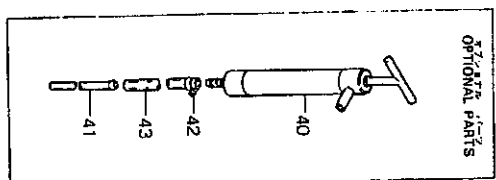
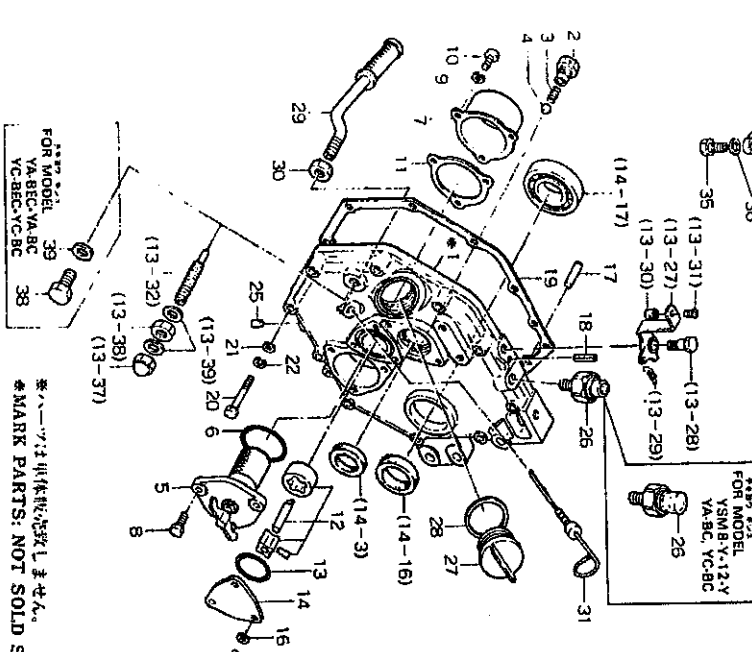
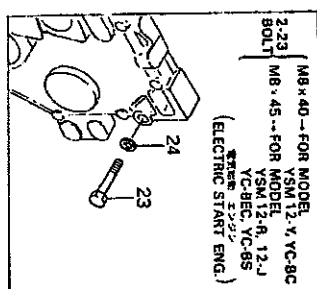
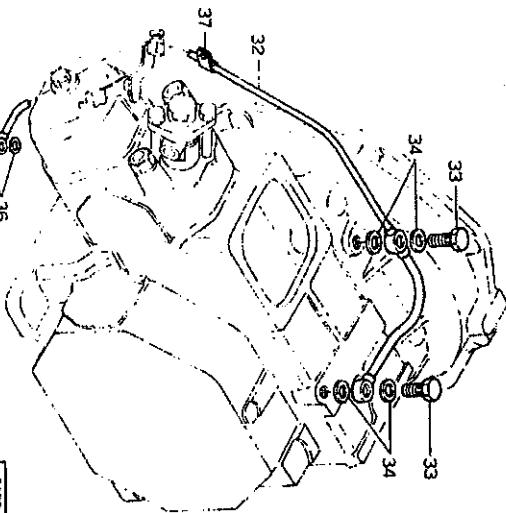
N° Réf.	N° Pièce	Designation
1-11	104264-01330	Gasket, Cyl. Head
1-11	104564-01330	Gasket, Cyl. Head
1-11	104564-01331	Gasket, Cyl. Head
1-11	704200-01900	Liner Assy, Cylinder
1-11	704500-01900	Liner Assy, Cylinder
1-12	*	Liner, Cylinder 90.50d-138l
1-12	*	Liner, Cylinder 105.00d-164l
1-13	101204-01300	Packing (rubber) 3.11-90.60d
1-13	103338-01300	Packing (rubber) 3.11-104.10d
1-14	104271-01480	Cover, Cyl. Rear 154h-120w
1-14	104272-01480	Cover, Cyl. Rear 154h-120w
1-15	(104271-03200)	Pipe, Air Breather 9x385
1-15	(104571-03200)	Pipe, Air Breather 9x460
1-15	(104200-03180)	Pipe, (Vinyl) 9x220
1-15	(104200-03180)	Pipe, (Vinyl) 9x220
1-16	104271-03220	Protector, Breather Pipe
1-17	104104-03060	Valve, Air Breather Check 22w-33l
1-18	104104-03080	Plate, Breather Baffle 117w-170l
1-18	104504-03080	Plate, Breather Baffle 117w-170l
1-19	104104-03110	Plate, Check Valve Fix 22w-34.5l
1-20	104104-03120	Retainer, Check Valve 55w-72l
1-21	104104-03130	Packing, Plate 55w-72l
1-22	104271-03230	Clamp, Breather Pipe
1-23	26557-040102	Screw M4x10
1-24	26716-040002	Nut M4
1-25	22217-040000	Spring Washer 4
1-26	104200-01490	Packing, Rear Cover 114w-148h
1-27	26116-060142	Washer 6
1-28	22117-060000	Spring Washer 6
1-29	22217-060000	Spring Washer 6
1-30	26216-080222	Stud M8x22
1-31	26716-080002	Nut M8
1-32	22217-080000	Spring Washer 8
1-33	104271-01850	Upper Cover 158w-19h
1-33	104571-01850	Upper Cover 158w-19h
1-34	104200-44050	Packing, Upper Cover 120w-119l
1-34	104500-44050	Packing, Upper Cover 134w-148l
1-35	23873-030000	T-plug P13/8
1-36	46150-004530	Sender, C.W. Temp.
1-37	26116-080302	Bolt M8x30
1-37	26116-080302	Bolt M8x30
1-37	26116-080302	Bolt M8x30
1-37	26116-100352	Bolt M10x35
1-37	26116-100352	Bolt M10x35
1-37	26116-100352	Bolt M10x35
1-38	26116-080352	Bolt M8x35
1-38	26116-100402	Bolt M10x40
1-39	22217-080000	Spring Washer 8
1-39	22217-080000	Spring Washer 8



※マークは標準品を指しませんが、  
※MARK PARTS: NOT SOLD SEPARATELY.

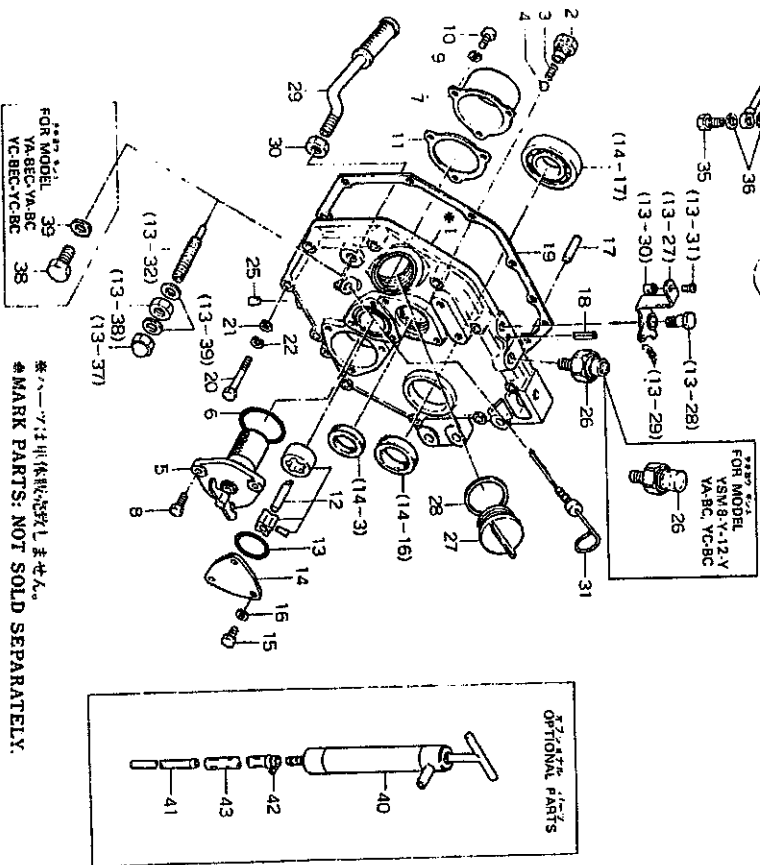
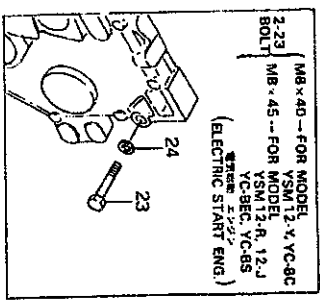
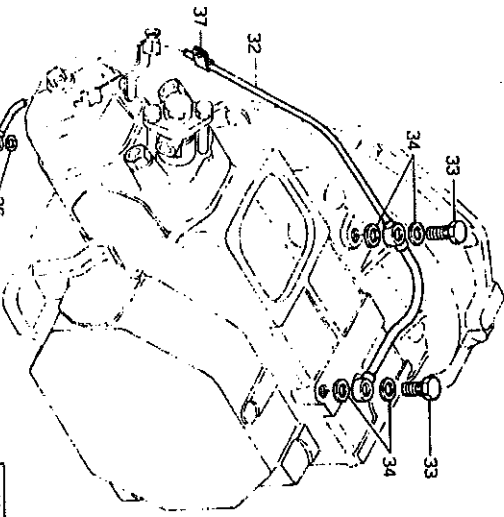
N° Réf.	N° Pièce	Designation
1-39	22217-100000	Spring Washer 10
1-39	22217-100000	Spring Washer 10
1-40	104271-07230	Bracket, Eng. Sling 92W-66h
1-41	26116-080162	Bolt M8x16
1-42	22217-080000	Spring Washer 8

CYL. SIDE COVER & LUB. OIL SYSTEM

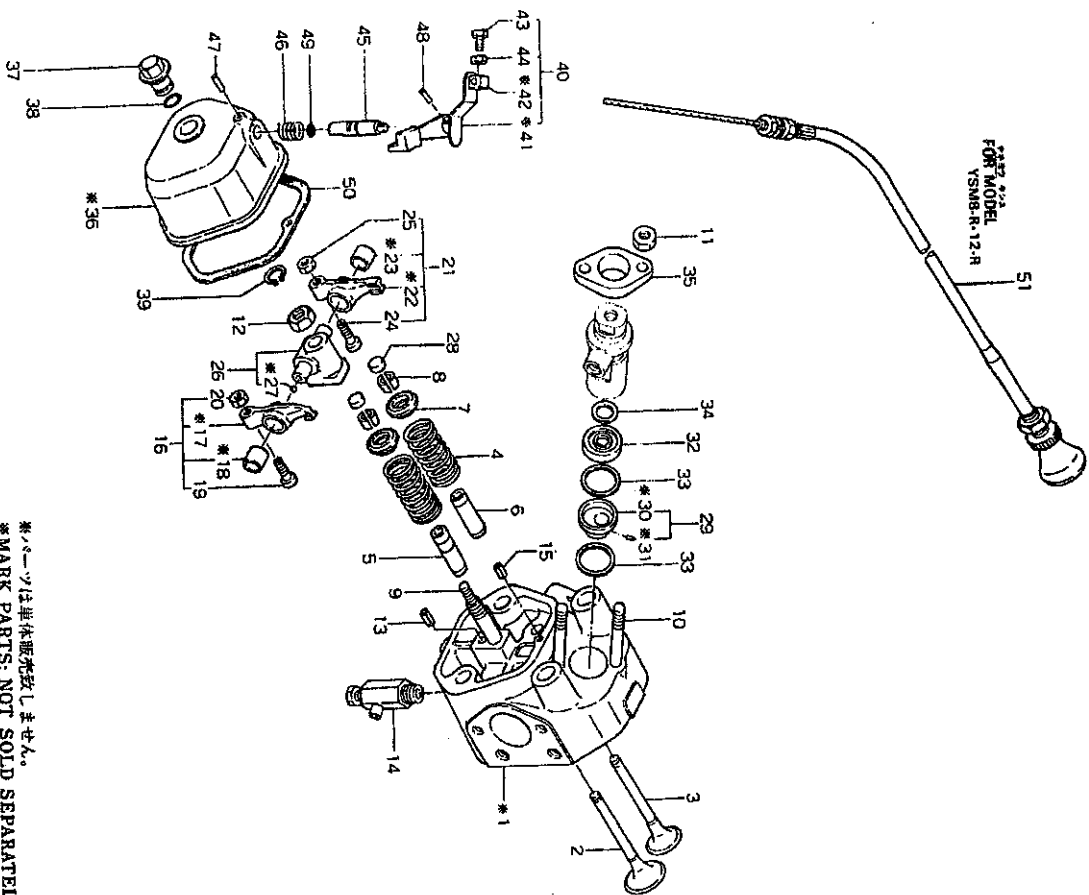


※マークは単体販売致しません。  
\*MARK PARTS: NOT SOLD SEPARATELY.

N° Réf.	N° Pièce	Designation
2-1	704271-01500	Cover Assy, Cyl. Side
2-1	704571-01500	Cover Assy, Cyl. Side
2-2	104271-34010	Cover, Cyl. Side 2701-35t
2-2	105582-34040	Cover, Cyl. Side 2671-36t
2-3	24190-100001	Body, L.o. Press, Control Valve M14-211
2-4	104271-35130	Spring, Adj. Valve
2-5	104200-35280	Steel Ball 5/16
2-6	104211-35270	Strainer, Lub. Oil 821
2-7	26116-060162	O-ring, Strainer Cover 47.5od
2-8	22217-060000	Bowl, Lub. Oil Strainer 47.2d-35w
2-9	26117-060129	Bolt M6x16
2-10	26557-060142	Spring Washer 6
2-10	26557-060142	Bolt M6x12
2-10	26557-060142	Screw M6x14
2-11	104211-35120	Packing 66w-0.3t
2-12	101304-32520	Rotor Assy, Lub. Oil Pump
2-12	104500-32150	Rotor Assy, Lub. Oil Pump
2-13	103338-32570	O-ring, Pump Cover 37.5d-2t
2-14	103338-32070	Cover, Lub. Oil Pump
2-15	26116-060122	Bolt M6x12
2-16	22117-060000	Washer 6
2-17	22312-050140	Parallel Pin 5x14
2-18	22351-040016	Spring Pin 4x16
2-19	104271-01410	Packing, Cyl. Side Cover 233t-0.5t
2-19	104571-01410	Packing, Cyl. Side Cover 267t-0.5t
2-20	26116-060402	Bolt M6x40
2-21	22117-060000	Washer 6
2-22	22217-060000	Spring Washer 6
2-23	26116-080402	Bolt M8x40
2-23	26116-080452	Bolt M8x45
2-24	22117-080000	Washer 8
2-25	27225-060100	Plug 6x10
2-26	124060-39451	Sender, Lub. Oil Press.
2-26	105582-34400	Signal, Lub. Oil
2-27	124160-01750	Cap, Oil
2-28	101104-01760	Packing, Oil Cap
2-29	106100-35090	Pipe Comp., Lub. Oil Inlet
2-29	106300-35090	Pipe Comp., Lub. Oil Inlet
2-29	104200-35070	Lock Nut, Inlet Pipe Comp.
2-31	104271-34810	Dipstick, Lub. Oil 128l
2-32	104211-39200	Pipe Comp. (cyl.-mounting Flange~cyl. Head), Lub. Oil
2-32	104571-39200	Pipe Comp. (cyl.-mounting Flange~cyl. Head), Lub. Oil
2-33	103854-39140	Bolt 12, Pipe Joint
2-34	23414-120016	Packing 12
2-35	101147-59810	Bolt 8, Pipe Joint
2-36	23414-080012	Packing 8
2-37	124450-39240	Clamp, Lub. Oil Pipe 15w-7t



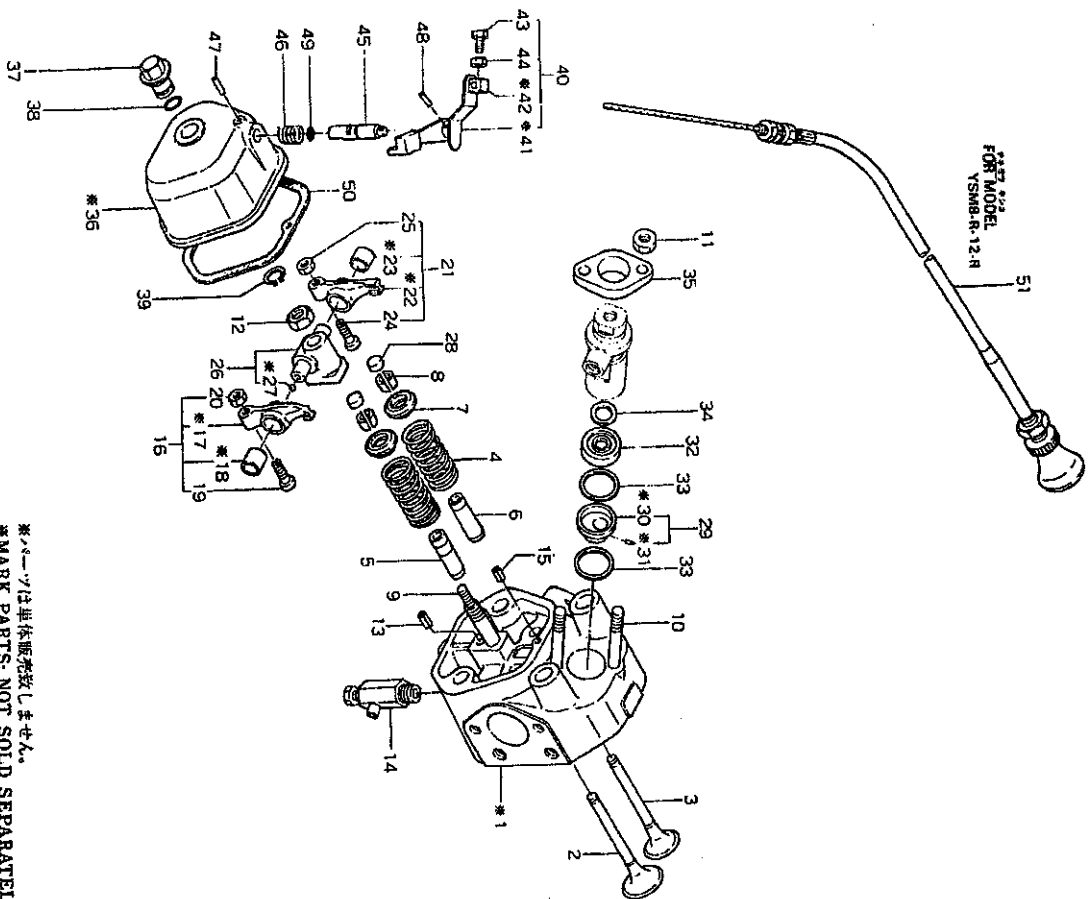
N° Réf.	N° Pièce	Désignation
2-38	135400-01790	Plug M10
2-39	121250-01990	Packing 10
2-40	104264-39700	Pump Comp., Lub. Oil Evacuation "optional"
2-41	104264-39710	Pump Comp., Lub. Oil Evacuation "optional"
2-42	23010-012000	Pipe, Evacuation 8d-300l "optional Parts"
2-43	23061-081000	Clamp, Pipe 12 "optional Parts"
		Pipe (Vinyl) 8x1000 "optional Parts"



N° Réf.	N° Pièce	Désignation
3-1	704271-11700	Head Assy, Cylinder
3-1	704571-11700	Head Assy, Cylinder
3-2	104211-11100	Head, Cylinder 124w-152l
3-2	104511-11100	Head, Cylinder 136w-168l
3-3	104211-11110	Suc. Valve 32d-94.8l
3-3	104511-11110	Suc. Valve 36.5d-111.5l
3-3	104211-11110	Exh. Valve 27d-94.8l
3-4	104211-11120	Exh. Valve 30.5d-111.5l
3-4	104511-11120	Spring, Suc./exh. Valve 27.7od-41l
3-5	124060-11160	Spring, Suc./exh. Valve 24.2od-40l
3-5	105282-11160	Guide, Suc. Valve 12d-40l
3-5	124450-11160	Guide, Suc. Valve 13d-49l
3-5	105582-11160	Guide, Suc. Valve 13d-49l
3-6	124060-11170	Guide, Exh. Valve 12d-40l
3-6	105282-11160	Guide, Exh. Valve 12d-40l
3-6	124450-11170	Guide, Exh. Valve 13d-49l
3-6	105582-11160	Guide, Exh. Valve 13d-49l
3-7	104211-11180	Retainer, Valve Spring 28d-11.2h
3-7	103338-11180	Retainer, Valve Spring 23d-12h
3-8	101158-11190	Cotter, Valve Spring 11d-9.5h
3-8	27310-07000	Cotter, Valve Spring 11d-9.5h
3-8	103338-11190	Cotter, Valve Spring 11.5d-11h
3-8	27310-08000	Cotter, Valve Spring 11.5d-11h
3-9	104200-11350	Stud, Valve Rocker Arm Support 10d-76loa
3-9	106100-11350	Stud, Valve Rocker Arm Support 10d-76loa
3-9	104500-11350	Stud, Valve Rocker Arm Support 10d-80loa
3-10	26216-080702	Stud, Fuel Injection Valve M8x70
3-10	26216-080622	Stud, Fuel Injection Valve M8x62
3-11	26176-080002	Nut M8, Fuel Injection Valve
3-12	26736-100002	Nut M10, Valve Rocker Arm Support
3-13	22351-060012	Spring Pin, Support Rocker 60awx12
3-14	43600-500310	Cock 3/8, Drain
3-15	22351-040010	Spring Pin, Bonnet 40awx10
3-16	704200-11650	Arm Assy (suc), Rocker
3-16	706500-11650	Arm Assy (suc), Rocker
3-17	*	Arm (suc), Rocker 66l
3-18	*	Arm Assy (suc), Rocker
3-18	*	Arm Assy (suc), Rocker
3-19	101158-11230	Bush, Suc. Rocker Arm 14od-14l
3-20	26756-080002	Bush, Suc. Rocker Arm 18od-17l
3-21	704211-11660	Screw, Valve Clearance M8x30
3-21	704211-11660	Nut, V. Clearance Adj.
3-21	704211-11660	Arm Assy (exh.), Rocker

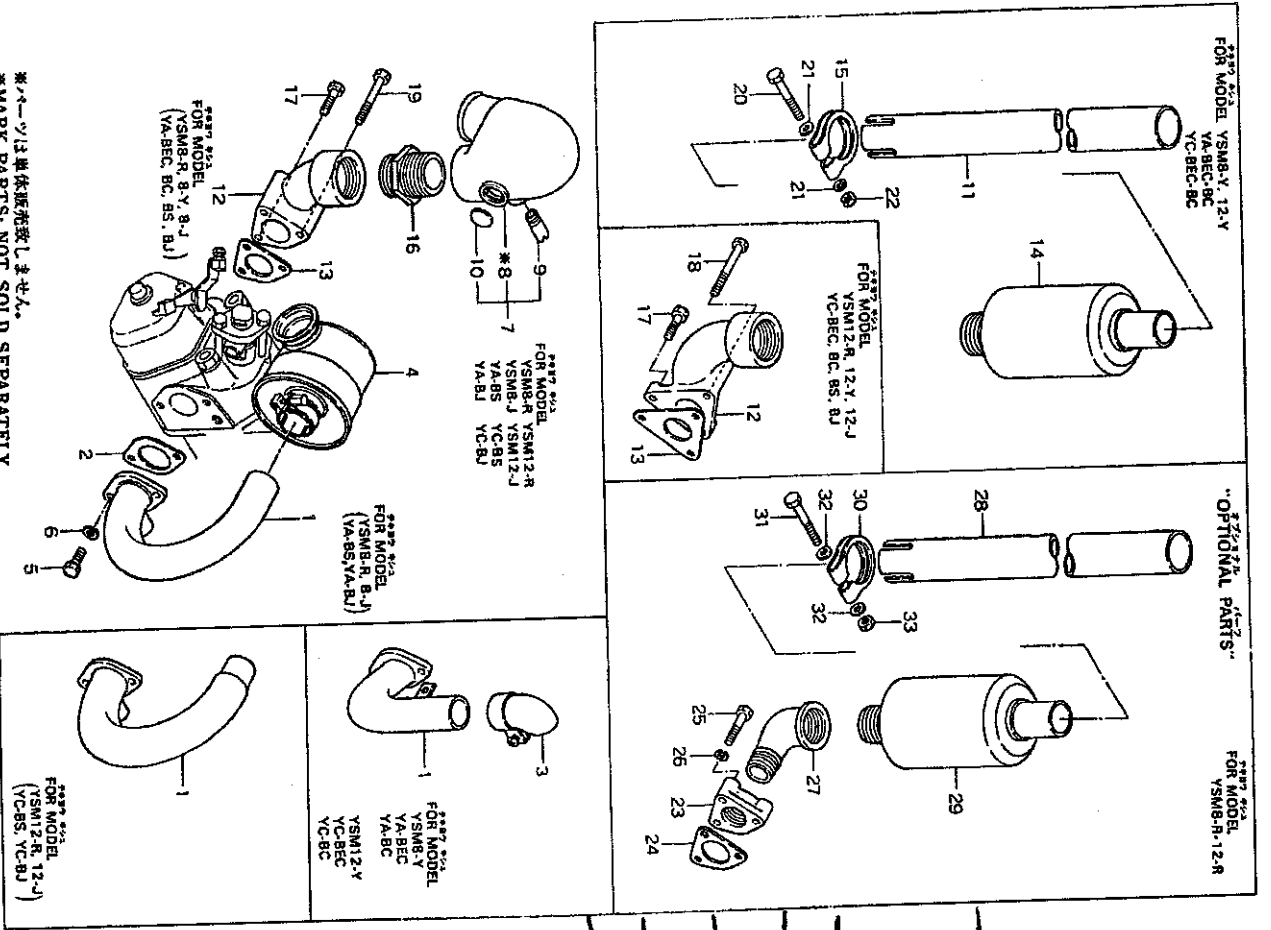
\*マークは単体販売致しません。  
\* MARK PARTS: NOT SOLD SEPARATELY.



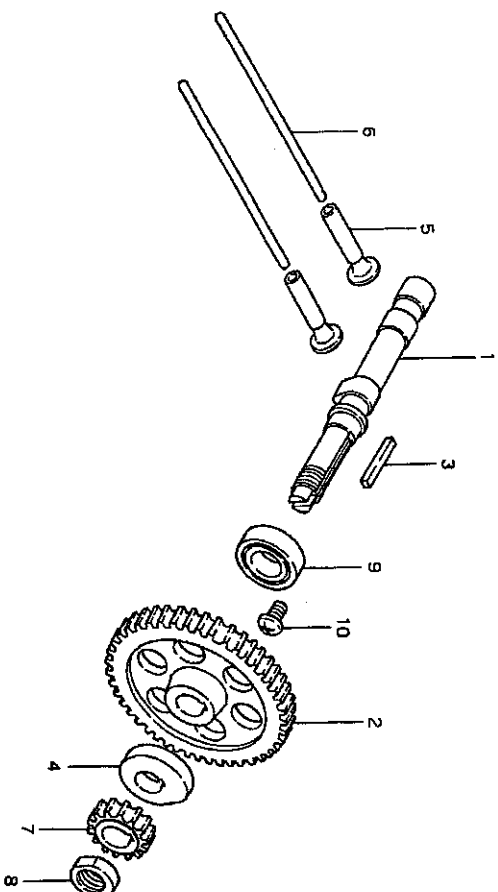


N° Réf.	N° Pièce	Désignation
3-21	704500-11660	Arm Assy (exh.), Rocker Arm (exh.), Rocker 62.5I
3-22	*	Arm (exh.), Rocker 66I
3-23	*	Bush, Exh. Rocker Arm 140d-14I
3-23	*	Bush, Exh. Rocker Arm 180d-17I
3-24	101158-11230	Screw, Valve Clearance M8X30
3-25	26756-080002	Nut, V. Clearance Adj.
3-26	104200-11260	Support W/ball 35h-50I
3-26	104500-11260	Support W/ball 40h-60I
3-27	*	Steel Ball 3/16
3-28	104211-11370	Retainer, Valve Head 11d-3.9I
3-28	104511-11370	Retainer, Valve Head 12d-5I
3-29	104271-11420	Chamber (front) Assy, Precombustion
3-29	104571-11420	Chamber (front), Precombustion 29d-24h
3-30	*	Chamber (front), Precombustion 32d-28.5h
3-30	*	Pin, Front Pre-combus Chamber
3-31	*	Chamber (rear), Precombustion
3-32	104200-11410	Chamber (rear), Precombustion
3-32	103438-11410	Chamber (rear), Precombustion
3-33	101204-11450	Packing, For Chamber 28.5od-0.5I
3-33	101704-11450	Packing, For Chamber 31.8od-0.5I
3-34	103854-11490	Insulator, For Chamber 24.5od-1I
3-35	101147-11900	Flange, Fuel Injection Valve
3-35	704211-11520	Bonnet Assy
3-35	704511-11520	Bonnet Assy
3-36	*	Bonnet 95.5w-117.5I
3-36	*	Bonnet 98w-134.5I
3-37	104200-11360	Knob, Bonnet 22d-32I
3-38	104200-11850	O-ring, Knob 14.5d-1.5I
3-39	22242-000140	Clip, Knob 18.3od-1I
3-40	104211-03740	Lever Comp., Decomp.
3-41	*	Lever, Decomp. 46w-60I
3-42	*	Fittings, Wire
3-43	26113-050128	Lock Nut M12, Decomp. Wire
3-44	26753-050002	Lock Nut M5
3-45	104200-03600	Shaft, Decomp.
3-46	104200-03641	Spring, Decomp. 132od-24I
3-47	22312-030180	Parallel Pin 3x18
3-48	22322-030160	Parallel Pin 3x16
3-49	24311-000070	O-ring 1a P7.0
3-50	104200-11310	Packing, Bonnet 117.5I-95.5w
3-50	104500-11310	Packing, Bonnet 134.5I-98w
3-51	104214-03700	Wire W/botton, Decomp. 3000I

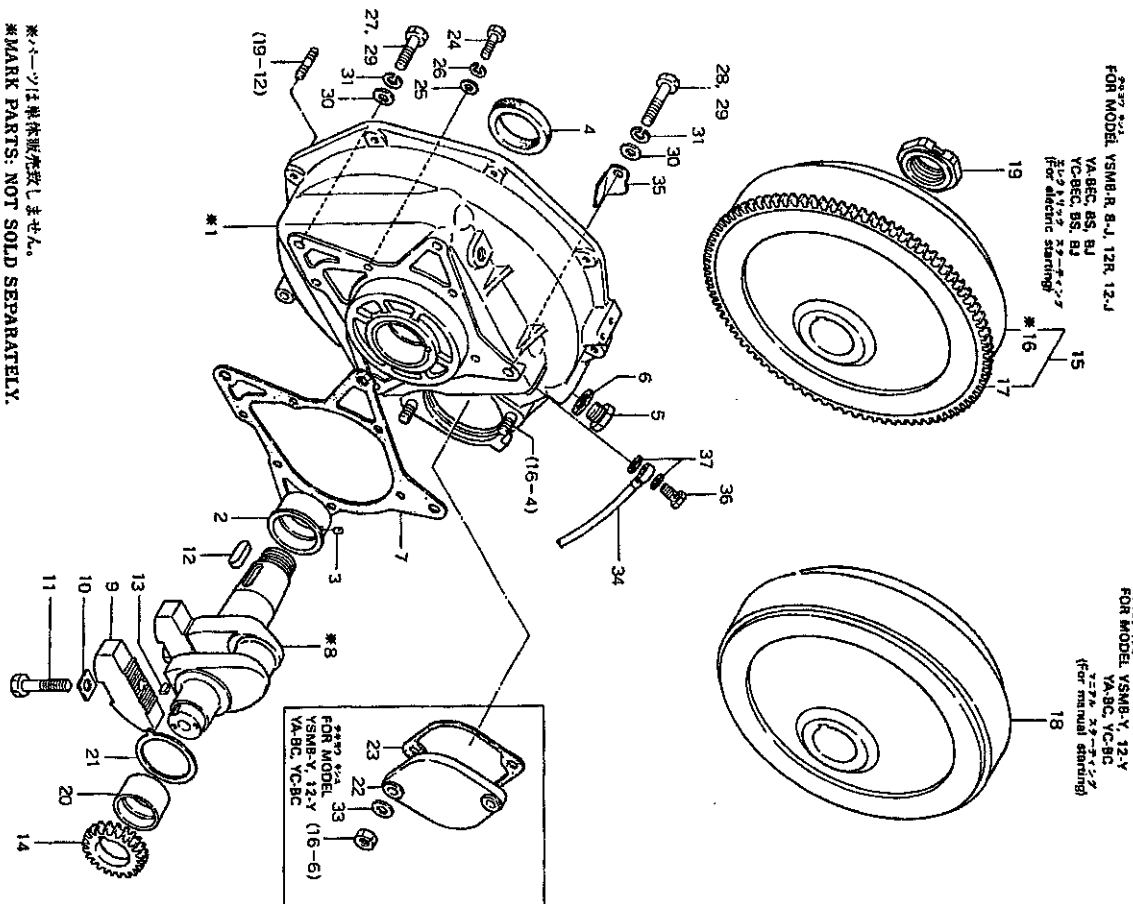
\*は単体販売致しません。  
\* MARK PARTS: NOT SOLD SEPARATELY.



N° Réf.	N° Pièce	Designation
4-1	104271-12010	Pipe, Air Intake 38, 1d-217, 5l
4-1	104571-12010	Pipe, Air Intake 42, 7d-233, 4l
4-1	104271-12030	Pipe, Air Intake 36, 1d-188l
4-1	104571-12030	Pipe, Air Intake 42, 7d-192l
4-2	104211-12100	Packing, Intake Pipe
4-2	104511-12100	Packing, Intake Pipe
4-3	104211-12110	Elbow, Intake Pipe 75l
4-3	104511-12110	Elbow, Intake Pipe 75l
4-4	104271-12520	Silencer, Air Intake 109d-113h
4-4	26117-080189	Bolt M8x18
4-5	22217-080000	Spring Washer 8
4-6	22217-080000	Elbow Comp., Water Mixing
4-7	104214-13521	Mixing Elbow 17
4-8	*	Joint 17, Pipe
4-9	124223-49300	Plug 25
4-10	27233-250000	Pipe, Exh. 43d-545l
4-11	104211-13060	Elbow, Exh. 130h-pt 1-1/2
4-11	104211-13070	Elbow, Exh. 146h-pt 1-1/2
4-12	104511-13070	Gasket, Silencer 70l-2l
4-12	104211-13200	Gasket, Silencer 87l-2l
4-13	104500-13200	Silencer 100d-245l
4-13	104211-13530	Clamp 61d-14l
4-14	104211-13580	Joint, Mixing Elbow
4-15	104214-13580	Joint, Mixing Elbow
4-16	104211-13600	Bolt M8x30
4-16	104271-13910	Bolt M8x30
4-17	104271-13910	Bolt M8x70
4-18	104571-13910	Bolt M8x60
4-19	104271-13920	Bolt M8x60
4-20	26116-080602	Washer 8
4-21	22117-080000	Nut M8
4-22	26716-080002	Flange, Exh. "optional Parts"
4-23	104214-13540	Gasket 70l-2l "optional Parts"
4-23	104511-13540	Gasket 87l-2l "optional Parts"
4-24	104500-13200	Silencer 100d-245l "optional Parts"
4-24	104211-13200	Bolt M8x40 "optional Parts"
4-25	26113-080402	Bolt M8x50 "optional Parts"
4-25	26113-080502	Spring Washer 8 "optional Parts"
4-26	22217-080000	Elbow, Exh. "optional Parts"
4-27	23114-141000	Elbow, Exh. "optional Parts"
4-27	23112-140000	Elbow, Exh. "optional Parts"
4-28	104211-13060	Exh. Pipe 43d-545l "optional Parts"
4-29	104211-13530	Silencer 100d-245l "optional Parts"
4-30	104211-13580	Clamp, Exh. Pipe 61d-14l "optional Parts"
4-31	26116-080602	Bolt M8x60 "optional Parts"
4-32	22137-080000	Washer 8 "optional Parts"
4-33	26716-080002	Nut M8 "optional Parts"



N° Réf.	N° Pièce	Désignation
5-1	104200-14010	Camshaft 190l
5-1	104500-14010	Camshaft 212l
5-2	104200-14100	Gear, Camshaft 120d-25t
5-2	104500-14100	Gear, Camshaft 140d-25t
5-3	103338-14190	Key, Cam Gear 5w-38l
5-3	103338-14190	Key, Cam Gear 5w-38l
5-3	174100-14190	Key, Cam Gear 5w-35l
5-4	104271-14090	Cam, Fuel Injection 9t
5-4	104571-14090	Cam, Fuel Injection 9t
5-5	104200-14200	Tappet 26d-54l
5-5	103338-14200	Tappet 26d-67l
5-6	104200-14400	Push Rod 6d-170l
5-6	104500-14400	Push Rod 7d-201l
5-7	104200-76401	Gear, Driven Starting 40.5d-13t
5-7	104500-76400	Gear, Driven Starting 54d-12t
5-8	104300-76460	Nut, Start Driven Gear 18t
5-9	24101-060044	Ball Bearing 6004
5-9	24101-060064	Ball Bearing 6006
5-10	26587-080122	Band Screw M8x12



N° Réf. N° Pièce

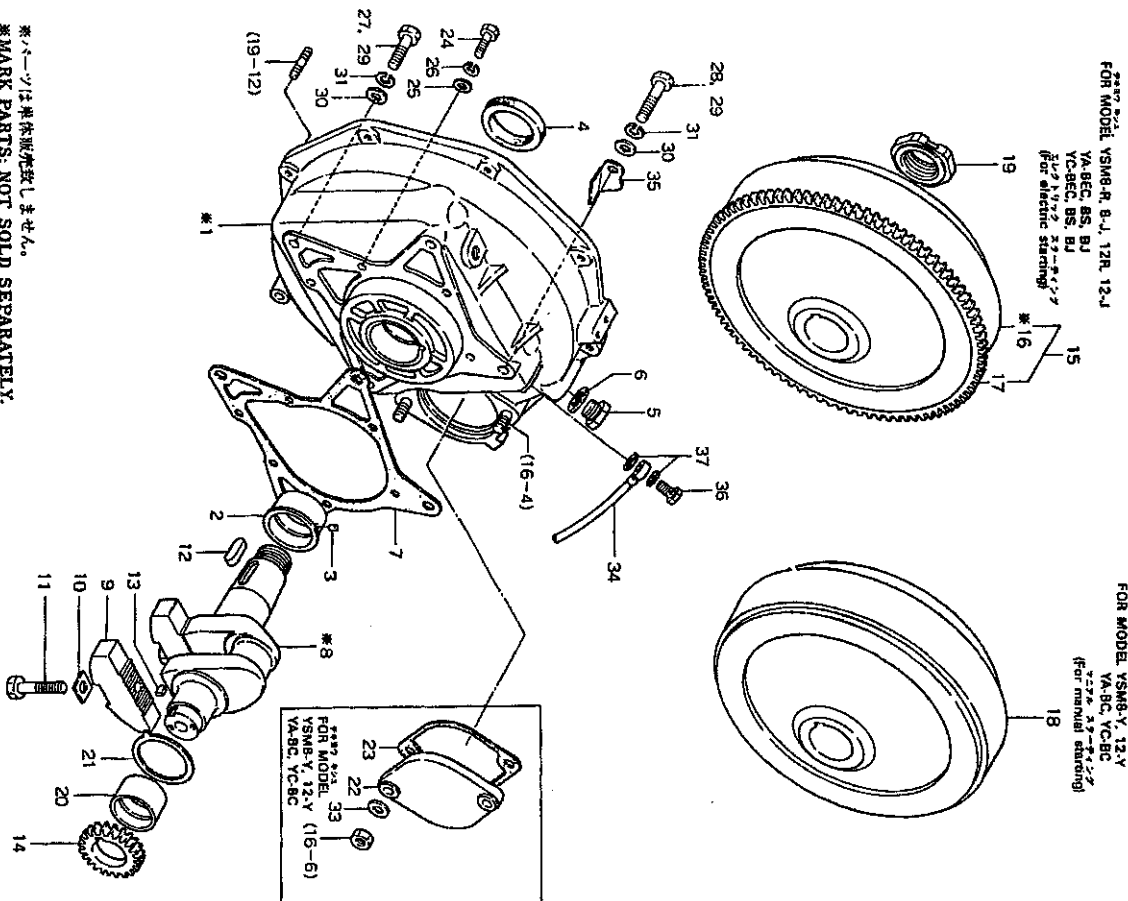
N° Réf.	N° Pièce	Désignation
6-1	704271-02500	Flange Ass'y, Mounting
6-2	704571-02500	Flange Ass'y, Mounting
6-3	*	Flange, Mounting 346h-126w
6-4	104200-02120	Flange, Mounting 376h-139.5w
6-5	103338-02120	Main Bearing, Flywheel Side 60d-27.5w
6-6	102109-02190	Main Bearing, Flywheel Side 70d-30w
6-7	104211-02220	Pin, Main Bearing Locker 3.5d-3.5l
6-8	104511-02220	Oil Seal 60d-9t
6-9	23883-180002	Oil Seal 70d-9t
6-10	43400-500510	Plug M18
6-11	23414-180023	Seal Washer 18
6-12		Packing 8
6-13		Packing 8
6-14	(26226-100222)	Stud M10x22
6-15	(26226-080252)	Stud M8x25
6-16	104211-02020	Packing, Mounting Flange 183w-209l
6-17	104511-02020	Packing, Mounting Flange 195w-223l
6-18	704264-21700	Crankshaft Ass'y
6-19	704564-21700	Crankshaft Ass'y
6-20	*	Crankshaft
6-21	*	Crankshaft
6-22	105282-21100	Weight, Balance
6-23	105582-21100	Weight, Balance
6-24	103338-21140	Washer, Balance Weight 23w-26l
6-25	26152-100451	Bolt, Balance Weight M10x45
6-26	22512-100300	Key, Flywheel 10w-30l
6-27	103338-21190	Key, Flywheel 8w-35l
6-28	101158-21290	Key, Crank Gear 5w-10l
6-29	101300-21290	Key, Crank Gear 7w-13.5l
6-30	104211-21200	Gear, Crankshaft 63.5d-11t
6-31	104511-21200	Gear, Crankshaft 72.5d-16t
6-32	104264-21591	Flywheel W/ring Gear Comp.
6-33	104564-21591	Flywheel W/ring Gear Comp.
6-34	104214-21590	Flywheel W/ring Gear Comp.
6-35	104514-21590	Flywheel W/ring Gear Comp.
6-36	*	Flywheel 270d-97w
6-37	*	Flywheel 300d-108w
6-38	*	Flywheel 290d-97w
6-39	*	Flywheel 318d-108w
6-40	*	Flywheel 290d-97w
6-41	*	Flywheel 318d-108w
6-42	104211-21600	Ring Gear 293.8d-10t, Z=114
6-43	104511-21600	Ring Gear 324.3d-10t, Z=126
6-44	104264-21401	Flywheel 270d-97w
6-45	104264-21401	Flywheel 290d-97w
6-46	104564-21401	Flywheel 300d-108w
6-47	104514-21400	Flywheel 318d-108w
6-48	104264-21530	End Nut
6-49	104564-21530	End Nut
6-50	104200-02100	Main Bearing 48d-25w
6-51	104500-02100	Main Bearing 57d-27.5w
6-52	104200-02110	Thrust Bearing 59d-2.5t

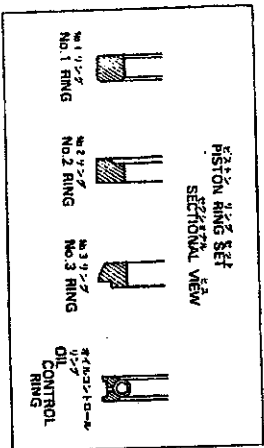
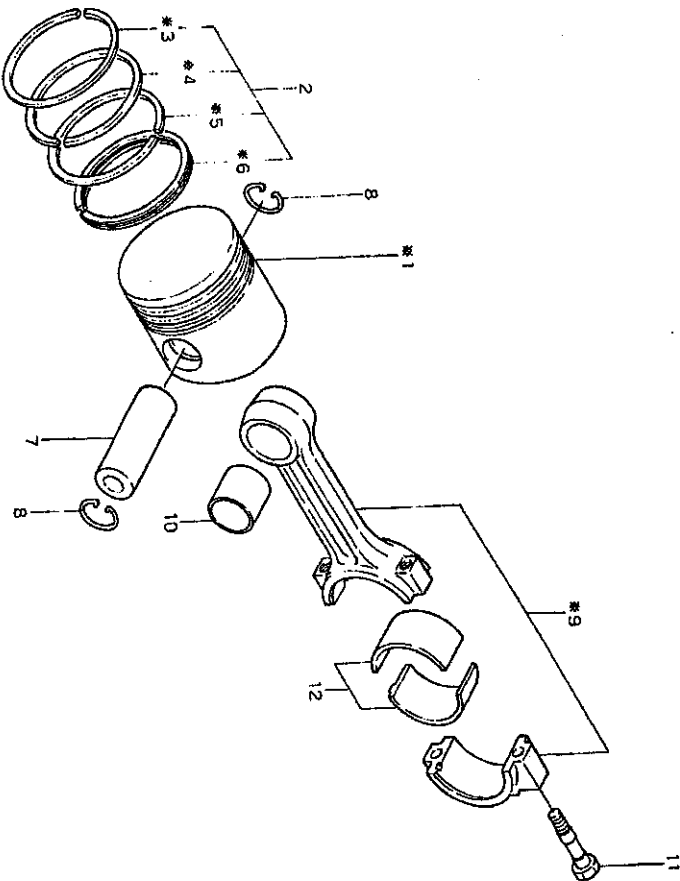
MAIN BEARING & CRANKSHAFT

N° Réf. N° Pièce

Désignation

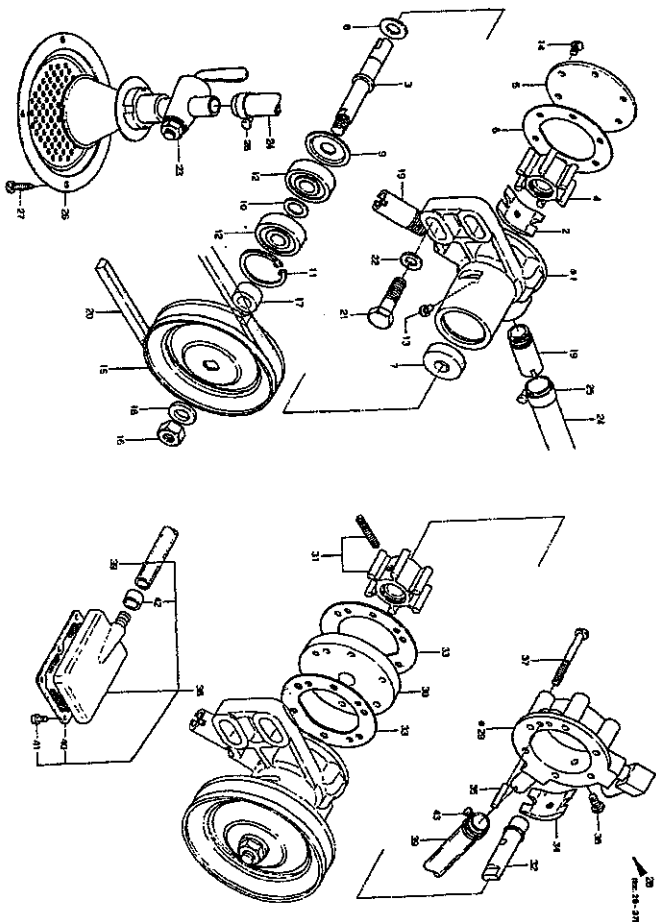
6-21	104500-02110	Thrust Bearing 70d-2.5t
6-22	104211-02310	Cover, Blind 134t-11t
6-23	104211-77080	Packing, Blind Cover 134t-0.3t
6-24	26116-080252	Bolt M8x25
6-25	22117-080000	Washer 8
6-26	22217-080000	Spring Washer 8
6-27	26116-100352	Bolt M10x25
6-28	26116-100452	Bolt M10x45
6-29	26116-100402	Bolt M10x40
6-30	22117-100000	Washer 10
6-31	22217-100000	Spring Washer 10
16-6	(26716-100002)	Nut M10
6-33	22117-100000	Washer 10
6-34	104211-02880	Pipe Comp., Breather
6-35	104211-02860	Plate, Baffle 20w-50l
6-35	104511-02860	Plate, Baffle 14w-50l
6-36	101147-59810	Bolt 8, Pipe Joint
6-37	23414-080012	Packing 8



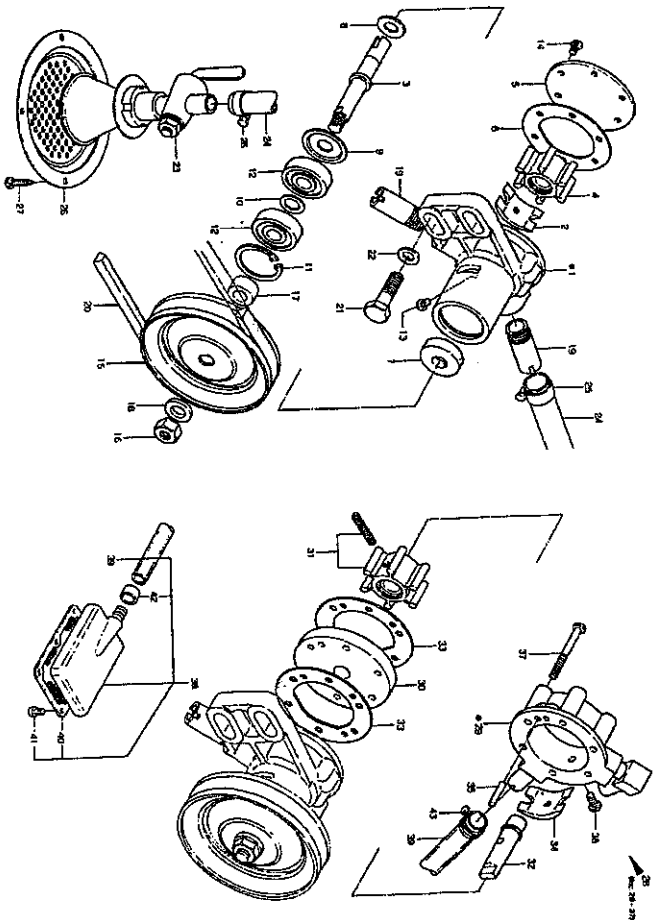


※マークは単体販売致しません。  
\* MARK PARTS: NOT SOLD SEPARATELY.

N° Réf.	N° Pièce	Désignation
7-1	724070-22720	Piston W/ring
7-1	704571-22720	Piston W/ring
7-1	*	Piston
7-2	724070-22500	Piston Set, Piston Ring Set, Piston
7-2	704571-22500	Piston Set, Piston Ring Set, Piston
7-3	*	Piston Ring No.1
7-3	*	Piston Ring No.1
7-4	*	Piston Ring No.2
7-4	*	Piston Ring No.2
7-5	*	Piston Ring No.3
7-5	*	Piston Ring No.3
7-6	*	Piston Ring, Oil Control
7-6	*	Piston Ring, Oil Control
7-7	104200-22300	Pin, Piston 23d-63l
7-7	103438-22300	Pin, Piston 28d-71l
7-8	172100-22400	Pin, Piston 24.5d-1.4t
7-8	124250-22400	Pin, Piston 30d-1.4t
7-8	704200-23100	Pin, Piston 30d-1.4t
7-8	704500-23100	Pin, Piston 30d-1.4t
7-9	*	Connecting Rod Assy
7-9	*	Connecting Rod Assy
7-10	104200-23100	Connecting Rod 180.5l
7-10	103438-23100	Connecting Rod 219.5l
7-11	104200-23201	Bush, Piston Pin 25d-27w
7-11	104500-23201	Bush, Piston Pin 31d-31w
7-12	104200-23340	Bolt, Connecting Rod 46.5l
7-12	103338-23300	Bolt, Connecting Rod 59.5l
7-12	103338-23300	Bearing, Crankpin 49d-28w

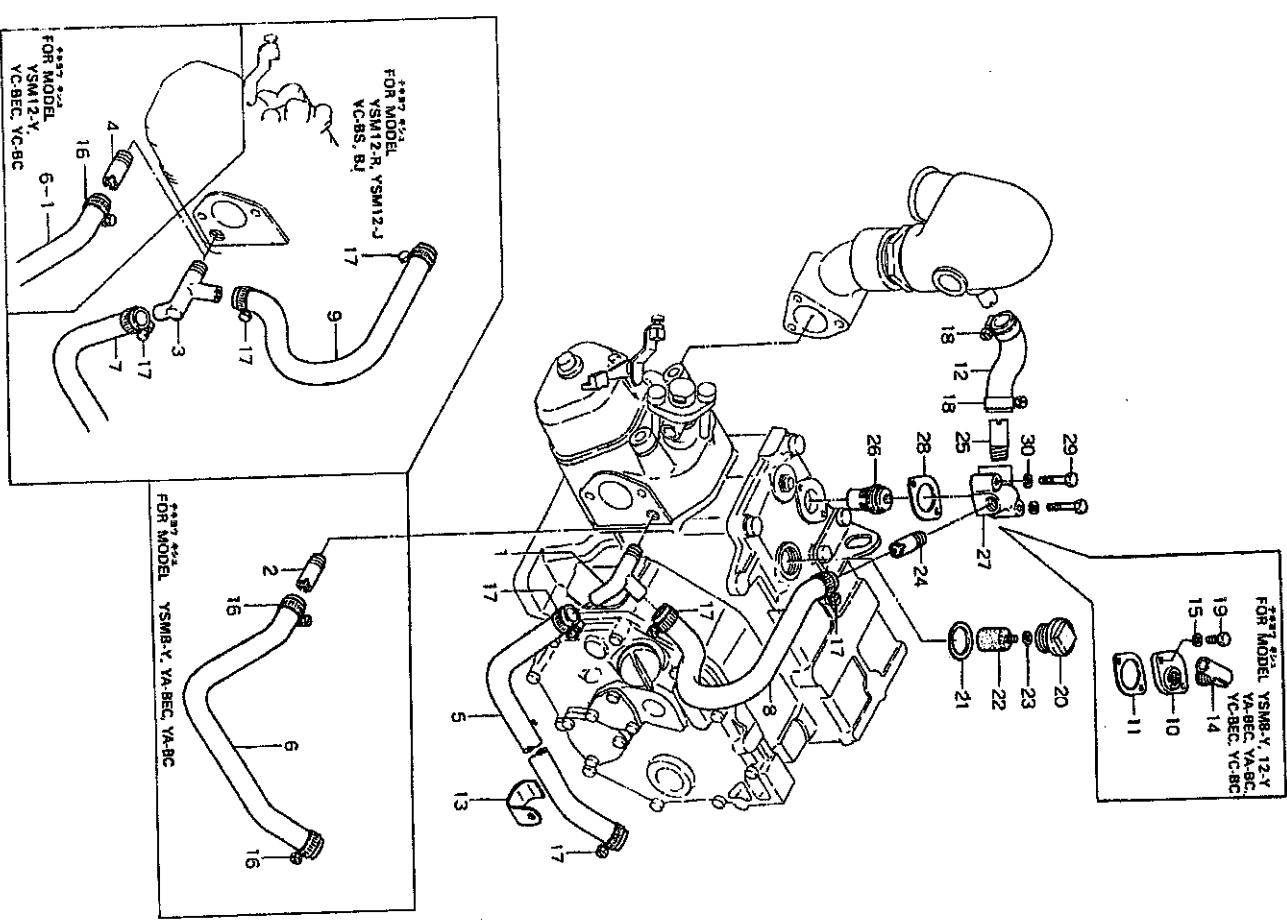


N° Réf.	N° Pièce	Désignation
8-1	104271-42000	C.w. Pump Ass'y
8-2	104211-42050	Body, Pump
8-3	124070-42060	Cam 18.9i-2.5t
8-4	104211-42070	Shaft, Pump 15d-77l
8-5	104211-42080	Impeller, Pump 39.7d-19w
8-6	104211-42090	Cover, Pump 58d-2.3t
8-7	104211-42100	Packing, Pump Cover 58d-0.3t
8-8	104211-42110	Oil Seal 1c10x25x7
8-9	104211-42120	Plate, Water Shield 18d-2t
8-10	104211-42130	Cover, Bearing 30d-1t
8-11	22252-000300	Spacer 16d-1t
8-12	24107-062004	Circclip 30
8-13	26554-040062	Bearing 6200ZZ
8-14	26554-040082	Screw M4x6
8-15	124070-42400	Screw M4x8
8-16	26347-080002	Pulley, C.w. Pump 90d-18w
8-17	124070-42410	Nut M8
8-18	124070-42420	Spacer, Pump Pulley 18d-8t
8-19	104211-49060	Washer, Pump Pulley 18d-2.3d
8-20	104211-49060	Joint P1/4, Pipe
8-21	104511-78780	Joint P1/4, Pipe
8-22	26117-080309	V-belt Hm19 Inch
8-23	22137-080000	Bolt M8x30
8-24	43662-010020	Washer 8
8-25	104211-49080	Cock Comp., Kingston 141l
8-26	23000-022000	Pipe, C.w. (Kingston Cock~water Pump)
8-27	43666-020951	Clamp 22, C.w. Pipe
8-28	22724-800380	Clamp 22, C.w. Pipe
8-29	22724-800380	Cover, Strainer
8-30	124070-46820	Cover, Strainer
8-31	104211-46830	Screw 8x38
8-32	104211-46840	Cock Comp., Kingston "optional Parts"
8-33	104211-42090	Pipe, C.w. (Kingston Cock~water Pump) "optional Parts"
8-34	104211-42050	Clamp 22, C.w. Pipe "optional Parts"
8-35	22312-030140	Cover, Strainer "optional Parts"
8-36	26554-040122	Screw 8x38 "optional Parts"
8-37	26557-040382	Cover, Strainer "optional Parts"
8-38	123220-46910	Impeller "optional Parts"
8-39	124223-46140	Shaft, Bilge Pump "optional Parts"
8-40	123220-46920	Packing, Wear Plate "optional Parts"
8-41	26554-060102	Oil Seal 1c10x25x7
8-42	123220-46951	Plate, Water Shield 18d-2t
8-43	23010-015000	Cover, Bearing 30d-1t

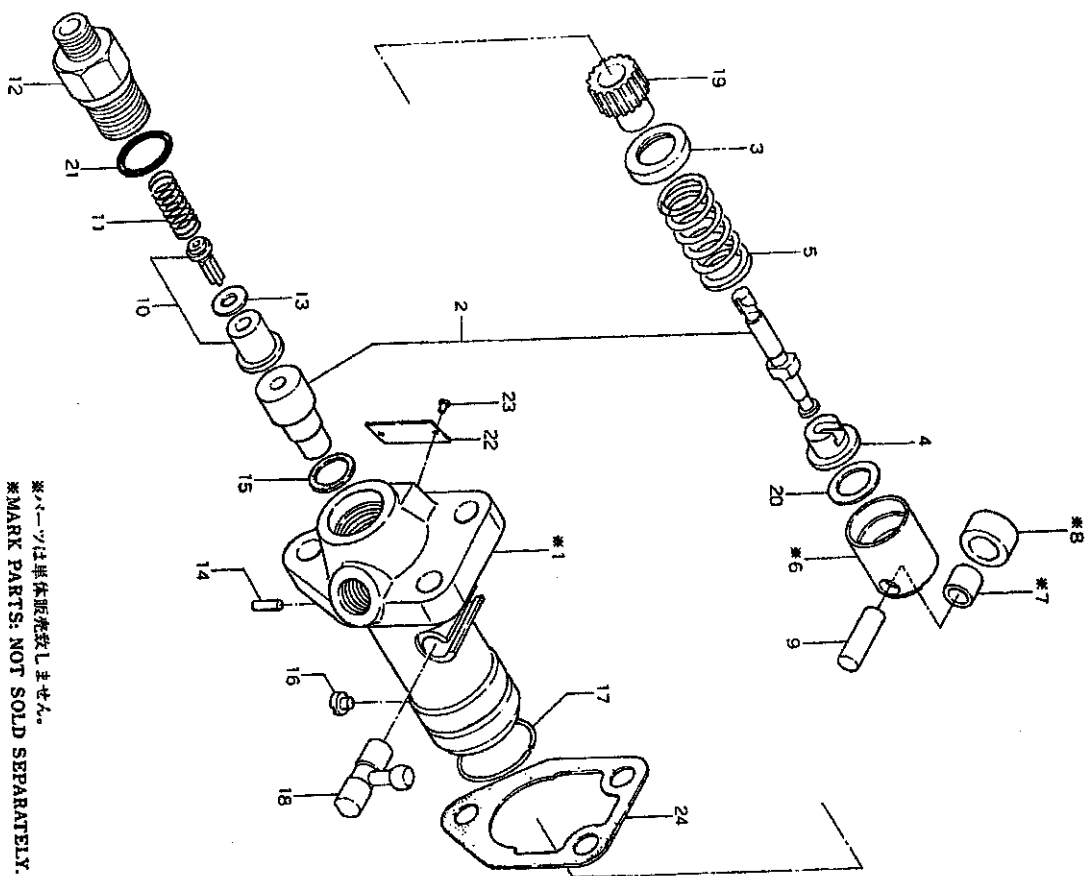


N° Réf.	N° Pièce	Désignation
6-22	104211-02310	Cover, Blind 134L-11t
6-23	104211-77080	Packing, Blind Cover 134L-0.3t
6-24	26116-080252	Bolt M8x25
6-25	22117-080000	Washer 8
6-26	22217-080000	Spring Washer 8
6-27	26116-100352	Bolt M10x25
6-28	26116-100452	Bolt M10x45
6-29	26116-100402	Bolt M10x40
6-30	22117-100000	Washer 10
6-31	22217-100000	Spring Washer 10
16-6	(26716-100002)	Nut M10
6-33	22117-100000	Washer 10
6-34	104211-02880	Pipe Comp., Breather
6-35	104211-02860	Plate, Baffle 20w-50l
6-35	104511-02860	Plate, Baffle 14w-50l
6-36	101147-59810	Bolt 8, Pipe Joint
6-37	23414-080012	Packing 8
3-35	704511-11520	Bonnet Assy
3-36	*	Bonnet 95.5w-117.5l
3-36	*	Bonnet 98w-134.5l
3-37	104200-11360	Bonnet 22d-32l
3-38	104200-11850	Knob, Bonnet 22d-32l
3-39	22242-000140	O-ring, Knob 14.5d-1.5t
3-40	104211-03740	Circlip 14, Bonnet Knob 18.3od-11
3-41	*	Lever Comp., Decomp.
3-42	*	. Lever, Decomp, 46w-60l
3-43	26113-050128	. Fittings, Wire
3-44	26753-050002	. Bolt M5x12, Decomp. Wire
3-45	104200-03600	. Lock Nut M5
3-46	104200-03641	Shaft, Decomp.
3-47	22312-030180	Spring, Decomp. 132od-24l
3-48	22322-030160	Parallel Pin 3x18
3-49	24311-000070	Taper Pin 3x16
3-50	104200-11310	O-ring 1a P7.0
3-50	104500-11310	Packing, Bonnet 117.5l-95.5w
3-51	104214-03700	Packing, Bonnet 134.5l-98w
		Wire W/bothon, Decomp. 3000l





N° Réf.	N° Pièce	Désignation
9-1	104271-49090	3-way Joint
9-2	104211-49060	Joint Pt1/4, Pipe
9-3	104571-49090	3-way Joint 13.8d-80l
9-4	104511-49060	Joint Pt3/8, Pipe
9-5	104271-49100	Pipe (a), C.w. (c.w. Pump-3-way Joint) 470l
9-6	104571-49100	Pipe (a), C.w. (c.w. Pump-cyl. Head) 510l
9-6-1	104571-49120	Pipe (a), C.w. (c.w. Pump-cyl. Head) 570l
9-7	104571-49100	Pipe (a), C.w. (c.w. Pump-3-way Joint) 510l
9-8	104271-49110	Pipe (b), C.w. (3-way Joint-thermostat)
9-9	104571-49110	Pipe (b), C.w. (3-way Joint-thermostat)
9-10	104271-49150	Flange, Outlet 56l-11t
9-11	104211-49160	Packing, Flange 56l-0.5t
9-12	104264-49210	Pipe (d), C.w. (thermostat-mix. Elbow)
9-12	104264-49210	Pipe (d), C.w. (thermostat-mix. Elbow)
9-12	104564-49210	Pipe (d), C.w. (thermostat-mix. Elbow)
9-12	104573-49210	Pipe (d), C.w. (thermostat-mix. Elbow)
9-13	104271-49310	Clamp, C.w. Pipe
9-14	105583-49910	Elbow Pt1/4
9-15	22217-060000	Spring Washer 6
9-16	23000-022000	Clamp 22
9-17	23000-022000	Clamp 22
9-18	23000-025000	Clamp 25
9-19	26116-060162	Bolt M6x16
9-20	124220-09320	Plug M/25
9-21	23414-250031	Packing 25
9-22	27210-200300	Anticorrosive Zinc 20X30
9-23	123210-09310	Packing, Anticorrosive Zinc
9-24	104211-49060	Joint Pt1/4, Pipe
9-25	124223-49300	Joint 17, Pipe
9-26	105582-49200	Thermostat 27.3d-38h
9-27	104264-49150	Cover, Thermostat 56l
9-28	104211-49160	Packing, Thermo. Cover 56l-0.5t
9-29	26116-060302	Bolt M6x30
9-30	22217-060000	Spring Washer 6



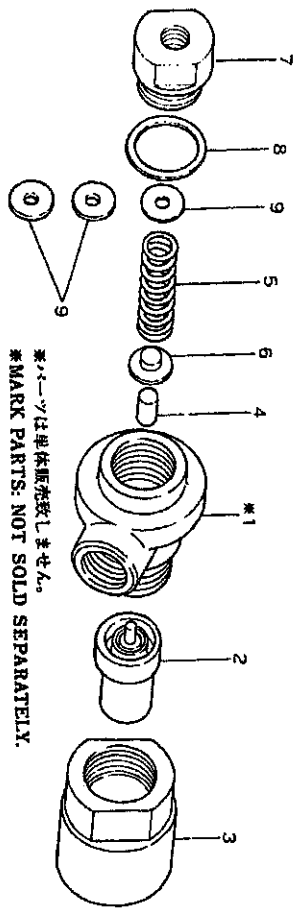
\*マークは単体販売致しません。  
\*MARK PARTS: NOT SOLD SEPARATELY.

FUEL INJECTION PUMP

N° Réf. N° Pièce

N° Réf.	N° Pièce	Désignation
10-1	704271-51700	Pump Assy, Fuel Injection
10-2	704571-51700	Pump Assy, Fuel Injection
10-2	104271-51100	Body, Fuel Injection Pump 16L-48W
10-2	104571-51100	Plunger (w/barrel) Comp. 15.9/6d-53.8l
10-3	174307-51170	Plunger (w/barrel) Comp. 15.9/6d-53.8l
10-4	174307-51180	Retainer (a), Plunger Spring 19d
10-4	174307-51181	Retainer (b), Plunger Spring 19d
10-5	124950-51190	Spring, Plunger 19d
10-5	724550-51520	Guide Assy, Plunger
10-6	*	Guide, Plunger
10-6	711100-51540	Roller Set, Plunger Guide
10-7	*	Roller (inner) 10d-9w
10-7	*	Roller (outer) 15d-9w
10-8	*	Pin, Plunger Guide Roller 7d-2l, 5l
10-9	174100-54120	Valve W/seat, Delivery
10-10	124060-51300	Spring, Delivery Valve
10-11	124550-51320	Holder, Spring
10-12	124550-51341	Packing, Delivery Valve
10-13	124550-51350	Pin, Plunger Barrel
10-14	103854-51251	Packing, Plunger Barrel
10-15	124950-51270	Stopper, Plunger Guide 6d-5.3w
10-16	104271-51450	Clip 30.9d
10-17	104271-51460	Rack Comp., Fuel Control
10-18	104271-51500	Pin, Rack
10-18	*	Lock, Rack Pin
10-18	*	Body, Rack 8d-27l
10-18	*	Pinion, Fuel Control
10-19	124950-51510	Shim Set, Adj. Plunger
10-20	174307-51700	Shim (t=0.1)
10-20	*	Shim (t=0.2)
10-20	*	O-ring, Delivery Valve
10-21	124550-51370	Label, Fuel Injection Pump
10-22	104271-51920	Label, Fuel Injection Pump
10-22	104571-51920	Label, Fuel Injection Pump
10-23	124220-51890	Rivet, Name Plate
10-24	104271-01950	Shim Set
10-24	*	Shim 0.3 73l
10-24	*	Shim 0.2 73l

N° Réf.	N° Pièce	Désignation
11-1	724060-53101	Valve Assy, Fuel Injection
11-2	704571-53100	Valve Assy, Fuel Injection
11-3	124770-53000	Body, Fuel Injection Valve 33.5W-4.6l
11-3	104200-53080	Valve W/case
11-3	104500-53080	Holder, Fuel Injection Valve 29d-38.5l
11-4	113200-53110	Holder, Fuel Injection Valve 32d-38l
11-4	103854-53120	Sprindle, Inter 5d-10.5l
11-5	113200-53120	Spring, Valve 10.5d-30l
11-6	113200-53120	Holder, Valve Spring 11d-6w
11-7	103854-53180	Case, Valve Spring 22s-20w
11-8	172100-53200	Packing, Valve Spring Case 22d-0.5t
11-9	110250-53150	Shim Set
11-9	*	. Shim 11.5d-0.1t
11-9	*	. Shim 11.5d-0.2t
11-9	*	. Shim 11.5d-0.3t
11-9	*	. Shim 11.5d-0.5t



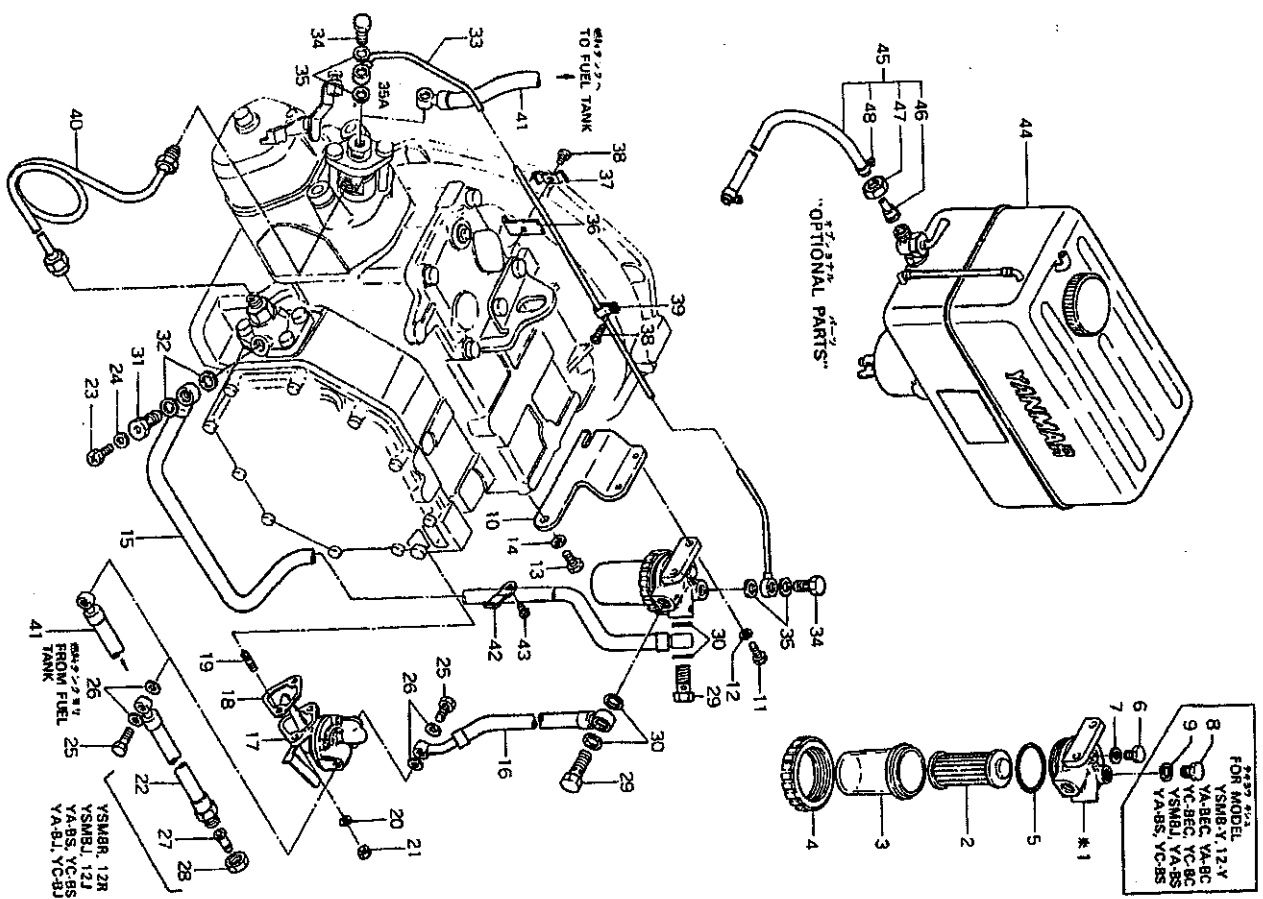
N° Réf.	N° Pièce	Désignation
12-1	*	
12-2	104500-55710	Strainer Comp., Fuel Oil
12-3	121370-55601	Strainer Comp., Fuel Oil
12-4	110250-55610	Strainer Comp., Fuel Oil
12-5	102103-55520	Body, Fuel Oil Strainer
12-5	24341-000440	Element, F.o. Strainer
12-6	101720-55750	Bowl, F.o. Strainer
12-7	23418-060000	Retainer, Bowl
12-8	124790-55770	O-ring
12-9	23414-080012	O-ring
12-10	104271-55880	Plug, Air Vent
12-11	26116-060142	Plug, Air Vent
12-12	22217-060000	Packing 6, Air Vent Plug
12-13	26116-080162	Plug M8
12-14	22117-080000	Packing 8
12-15	104271-59070	Bracket, F.o. Strainer 125I-62W
12-15	104264-59070	Bolt M6x14
12-15	104564-59070	Spring Washer 6
12-16	104271-59080	Bolt M8x16
12-16	104571-59080	Washer 8
12-17	124070-52010	Pipe (a), F.o. Strainer~f.o. Injection Pump 775I
12-18	124223-01850	Pipe (a), F.o. Strainer~f.o. Injection Pump 553I
12-19	26216-060162	Pipe (a), F.o. Strainer~f.o. Injection Pump 633I
12-20	22217-060000	Pipe (b), Feed Pump~strainer 110I
12-21	26716-060002	Pipe (b), Feed Pump~strainer 125I
12-22	105584-59090	Pump, Fuel Feed 76.1h
12-23	111154-51900	Packing, Feed Pump 50I
12-24	180110-51910	Stud M6x16
12-25	105582-59150	Spring Washer 6
12-26	23414-080000	Nut M6
12-27	124772-59660	Pipe (d), Inlet Feed Pump
12-28	124772-59670	Plug, Air Vent M6-13
12-28	124772-59670	Packing, Plug
12-29	23857-060000	Bolt M8, Pipe Joint
12-30	23414-120000	Packing 8
12-31	103854-59200	Nut, Cap
12-32	104200-59170	Bolt, Pipe Joint
12-33	104271-59140	Packing 12
12-33	104273-59140	Packing 12
12-33	104571-59140	Pipe, Fuel Overflow 560I
12-34	101147-59810	Pipe, Fuel Overflow 560I
12-34	101147-59810	Pipe, Fuel Overflow 620I
12-35	23414-080000	Bolt 8, Pipe Joint
12-35	23414-080000	Bolt 8, Pipe Joint
12-35	23414-080000	Packing 8
12-35	23414-080000	Packing 8
12-35	23414-080000	Packing 8
12-35a	104884-59170	Packing 8
12-36	105584-59850	Retainer (a), Overflow Pipe

FUEL OIL SYSTEM

N° Réf. N° Pièce

Désignation

N° Réf.	N° Pièce	Désignation
12-37	124060-59900	Clamp (b), Overflow Pipe
12-38	26557-060102	Screw M6x10
12-39	105582-39150	Clamp, Overflow Pipe
12-40	104271-59800	Pipe, Fuel Injection 450l
12-40	104571-59800	Pipe, Fuel Injection 550l
12-41	105582-59141	Pipe, Fuel Return
12-42	105584-77961	Clamp, F.o. Pipe
12-43	26557-050102	Screw M5x10
12-44	83211-002013	Tank Assy (20l), Fuel Oil "optional Parts"
12-45	124070-59060	Pipe (f.o. Tank Outlet Side) 2000l "optional Parts"
12-46	105582-59190	Joint "optional Parts"
12-47	138603-59380	Nut, Cap "optional Parts"
12-48	23010-014000	Clamp 14 "optional Parts"



※マークは単体販売致しません。  
※ MARK PARTS: NOT SOLD SEPARATELY.

GOVERNOR MECHANISM

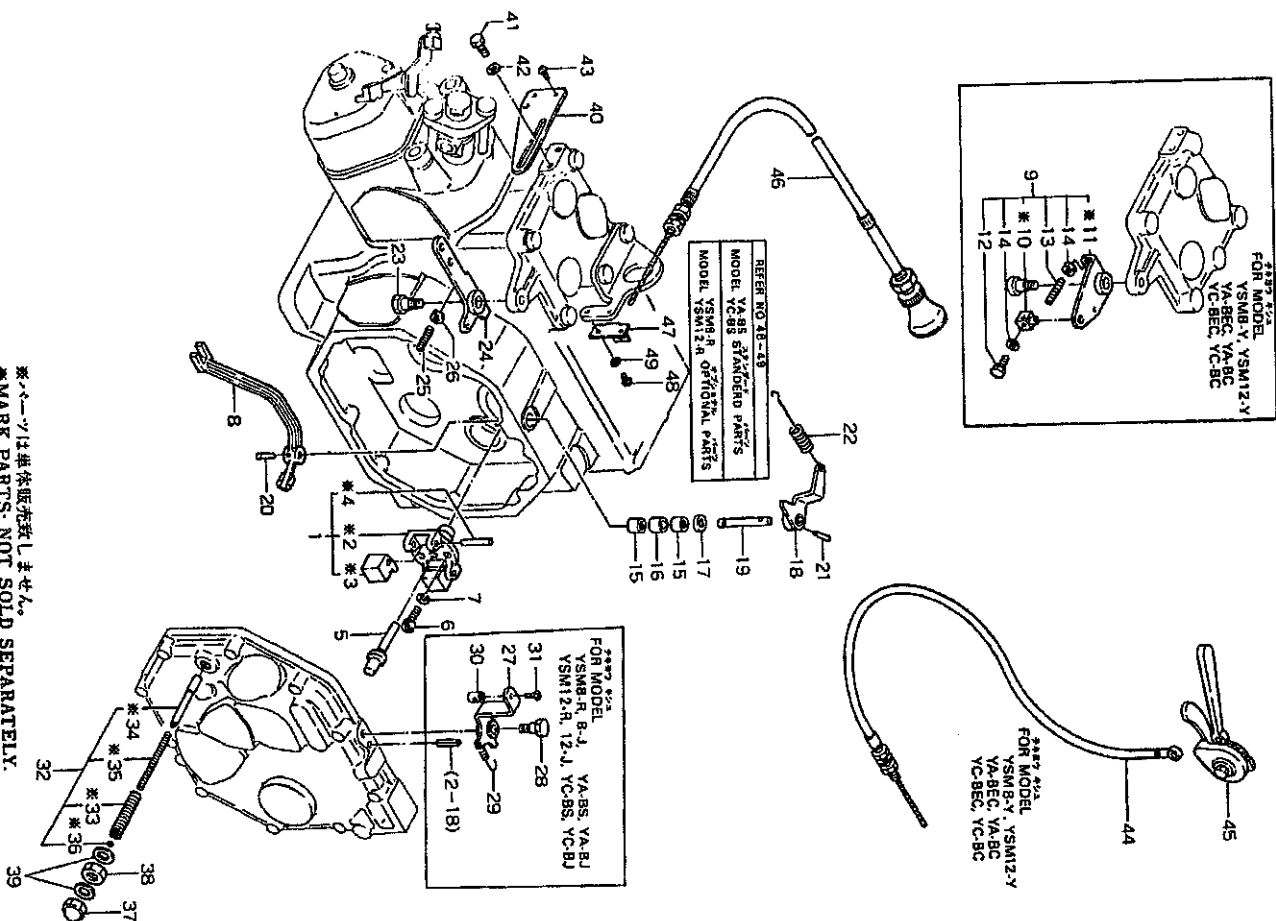
N° Réf. N° Pièce

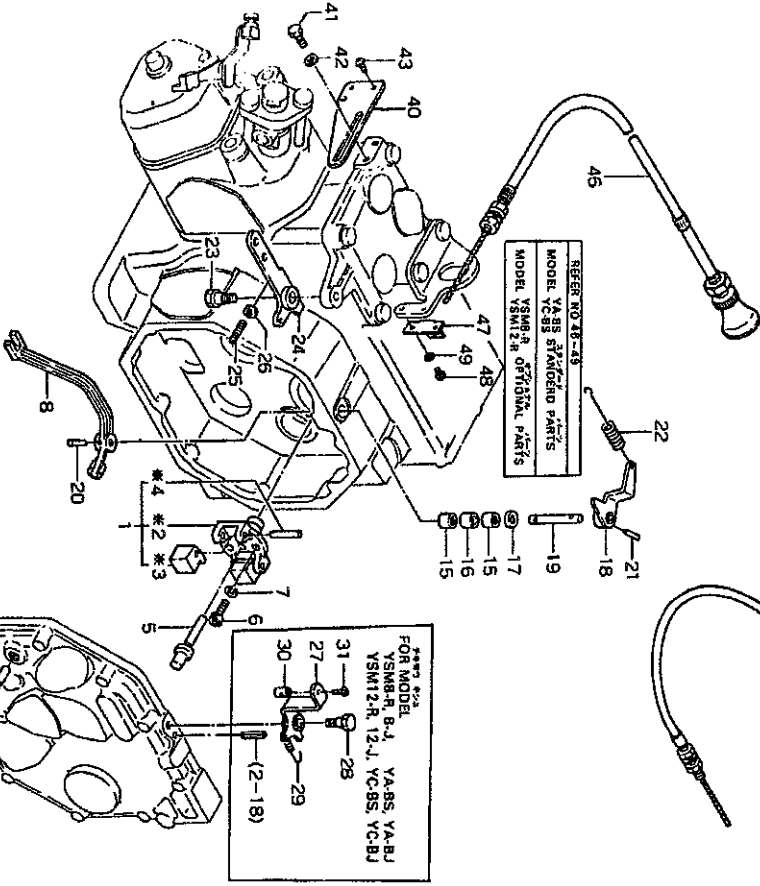
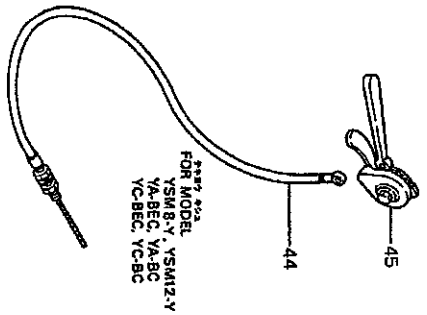
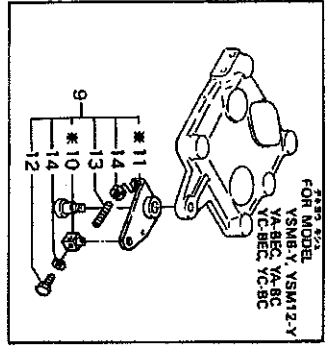
Désignation

13-1	104271-61290	Support Ass'y, Governor Weight
13-1	104571-61290	Support Ass'y, Governor Weight
13-2	*	Support, Governor Weight 50w
13-2	*	Support, Governor Weight 50w
13-3	*	Weight, Governor
13-4	*	Pin, Governor Weight
13-5	104271-61300	Spirindle, Governor 17d-57.11
13-6	26450-060182	Bolt (hexagonal Socket) M6x18
13-6	26450-060202	Bolt (hexagonal Socket) M6x20
13-7	22217-060000	Spring Washer 6
13-8	104271-66140	Lever (a), Governor 150.5l
13-8	104571-66140	Lever (a), Governor 173.5l
13-9	104271-66900	Handle Comp., Regulator
13-10	*	Fittings, Wire
13-11	*	Handle, Regulator 64l-35w
13-12	26117-050128	Bolt M5x12
13-13	104271-66920	Screw M5x21
13-13	120220-03660	Screw M5x21

13-14	26756-050002	Lock Nut M5
13-15	104211-61520	Needle Bearing 11d-9w
13-16	104211-61530	Spacer, Needle Bearing 11d-10w
13-17	104211-61540	Cap 14d-2.5l
13-18	104271-66150	Lever (b), Governor 57l
13-19	104271-66400	Shaft, Governor Lever 7d-53l
13-20	22322-030180	Taper Pin 3x18
13-21	22322-030220	Taper Pin 3x22
13-22	104271-66010	Spring, Regulator 93l
13-23	104271-66040	Spring, Regulator 141l
13-24	104271-66050	Bolt, Lever Setting
13-25	120220-03660	Handle, Regulator 103l
13-26	26756-050002	Screw M5x21
13-27	104271-66510	Lever, Eng. Stop 62l-50h
13-28	104271-66040	Bolt, Mlg. Lever M8-26l
13-29	104271-66520	Spring, Stop Lever 32l
13-30	106500-44870	Fittings, Inner Wire
13-31	26557-040082	Screw M4x8
13-31	(22351-040016)	Spring Pin 4x16
13-32	104271-66550	Adjuster Comp., Idle 61l
13-33	*	Body, Adjuster 46l
13-34	*	Pin, Adjuster 58l
13-35	*	Spring, Adjuster 63l
13-36	*	Washer, Adjuster
13-37	26667-100002	Cap Nut M10
13-38	26756-100002	Lock Nut M10
13-39	43400-500430	Seal Washer 10
13-40	104271-67100	Bracket, Cable 100l-42w
13-41	26116-060122	Bolt M6x12
13-42	22137-060000	Washer 6

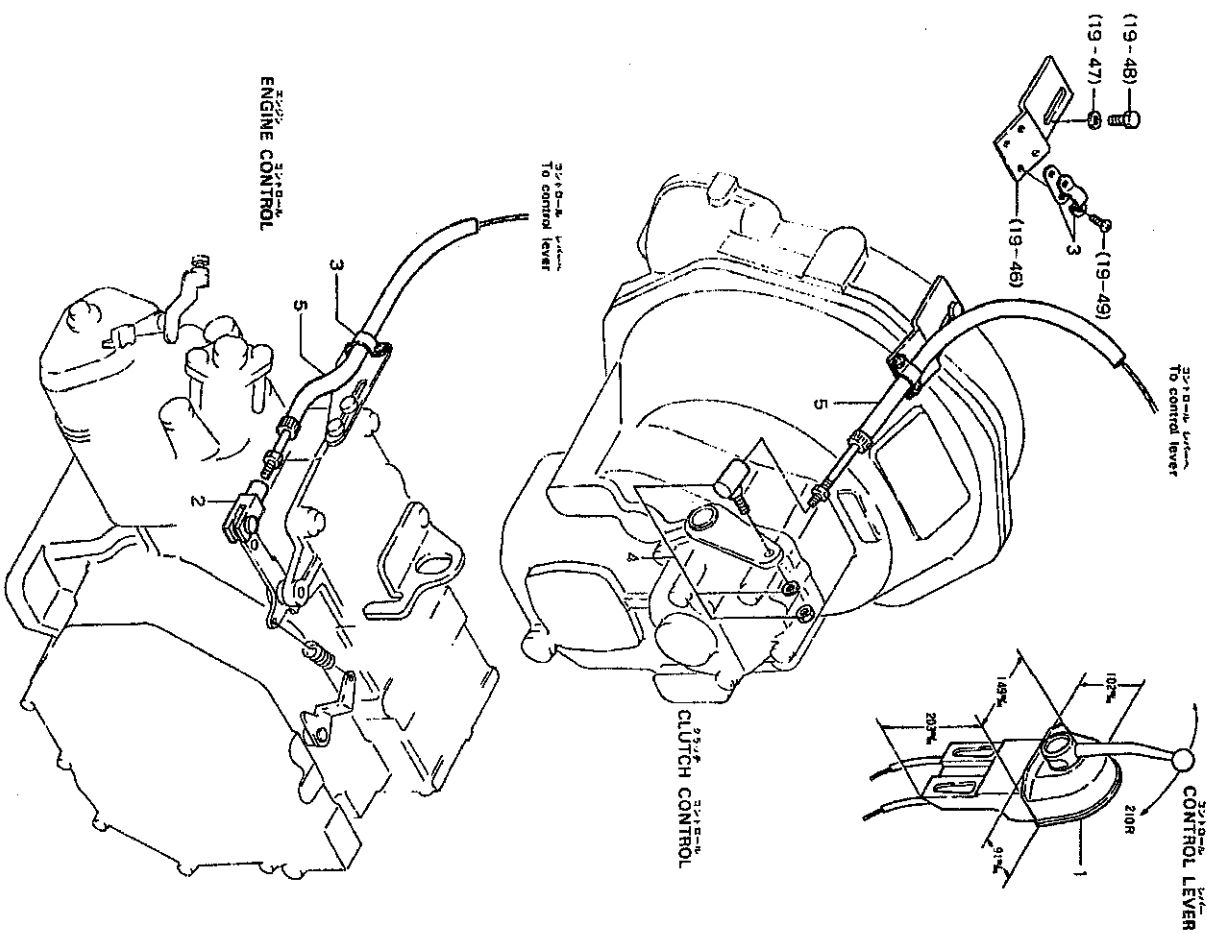
\*マークは単体販売致しません。  
\* MARK PARTS: NOT SOLD SEPARATELY.





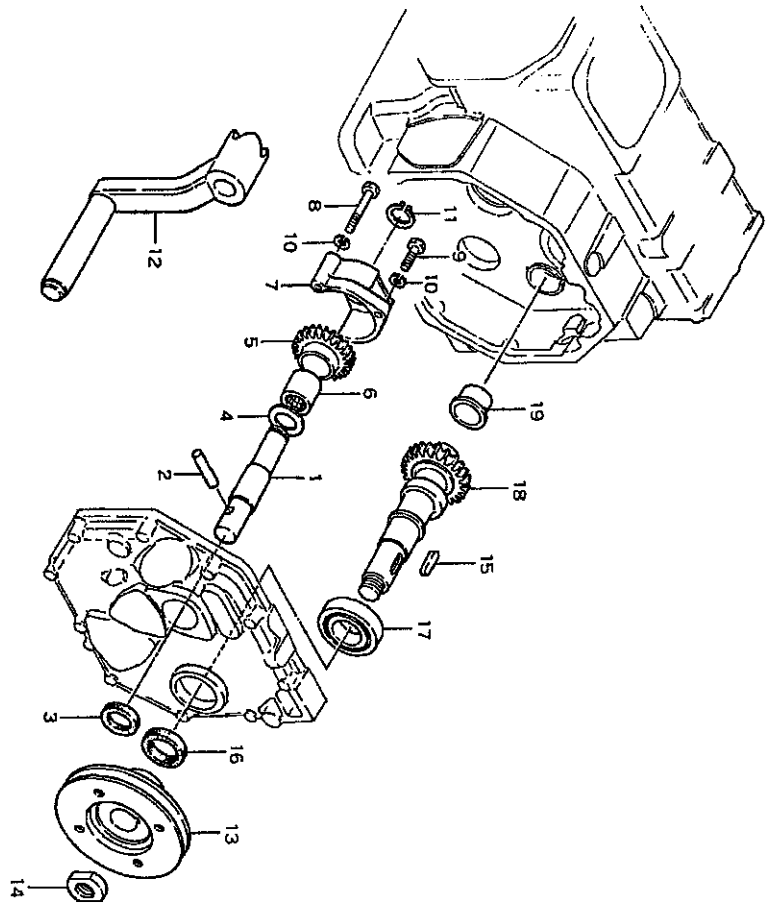
\*マークは単体販売致しません。  
\*MARK PARTS: NOT SOLD SEPARATELY.

N° Réf.	N° Pièce	Désignation
13-43	26557-050102	Screw M5X10
13-44	105582-67150	Cable, Eng. Speed 728l
13-45	105582-67190	Lever, Accelerator
13-46	104271-67550	Cable, Eng. Stop 3000l "optional Parts"
13-47	104214-67110	Bracket, Cable 38l-19w "optional Parts"
13-48	26557-050102	Screw M5X10 "optional Parts"
13-49	22217-050000	Spring Washer 5 "optional Parts"



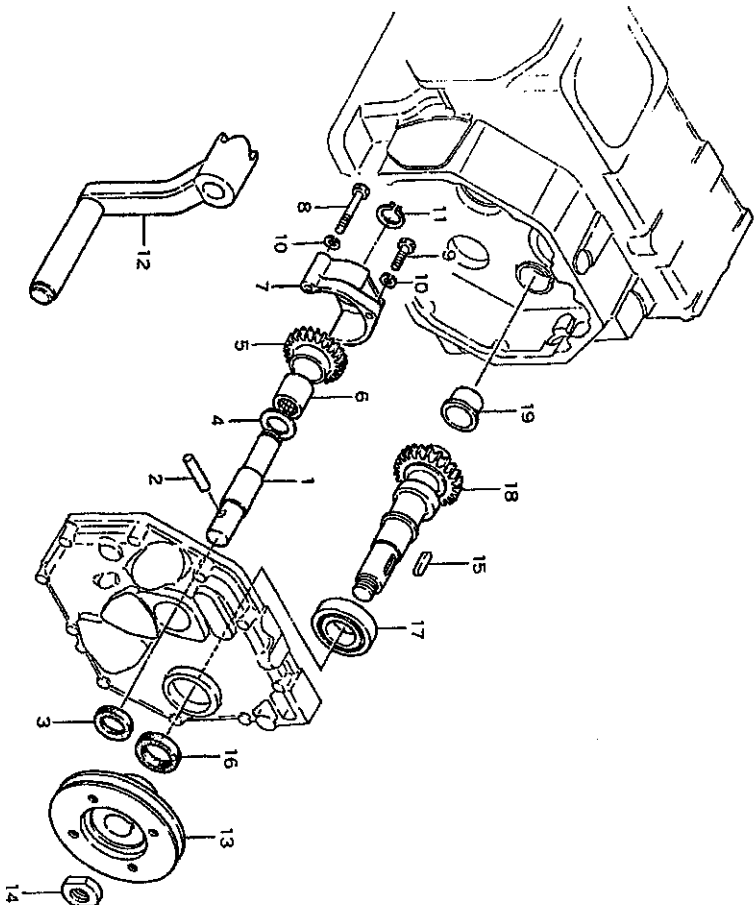
N° Réf.	N° Pièce	Désignation
19-46	104271-86100	Bracket, Cable
19-47	22137-060000	Washer 6
19-48	26116-060122	Bolt M6x12
19-49	26557-050102	Screw M5x10
13a-1	41730-000680	Remote-control Device "optional Parts"
13a-2	41710-000400	Lever Assy, Control "optional Parts"
13a-3	41710-000410	Clevis "optional Parts"
13a-4	41710-000790	Clamp, Cable "optional Parts"
13a-5	41710-000380	Ball Joint "optional Parts"
		Cable 4m "optional Parts"



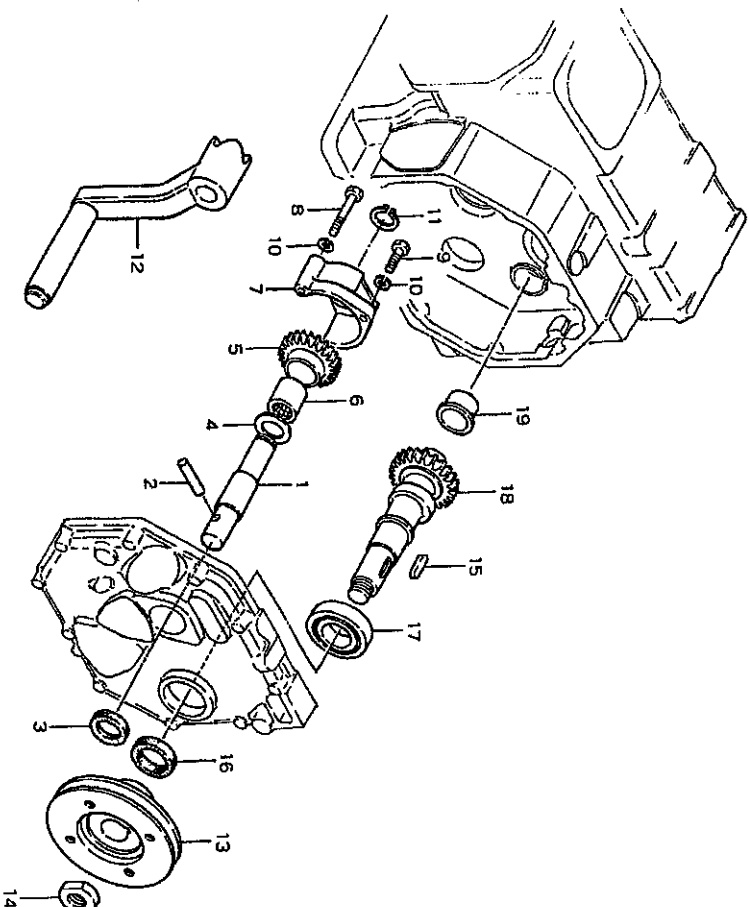


N° Réf.	N° Pièce	Désignation
14-1	104271-76340	Shaft, Starting 25d-116.5l
14-2	101400-76480	Pin, Starting Shaft 9d-36l
14-3	104200-76500	Seal, Oil
14-4	104211-76070	Washer 36.5d-0.5t
14-5	104271-76330	Gear, Hand Starting
14-6	104271-76350	Roller Clutch
14-7	104271-76300	Bracket, Starting Shaft
14-8	26116-060452	Bolt M6x45
14-9	26116-060222	Bolt M6x22
14-10	22217-060000	Spring Washer 6
14-11	22242-000200	Circlep 20
14-12	104271-76790	Handle Comp., Starting (r=120)
14-13	104511-76790	Handle Comp., Starting (r=150)
14-14	104271-76960	Pulley, P.t.o.
14-15	104300-76460	Lock Nut, P.t.o. Pulley
14-16	22512-070240	Key 7x24
14-17	104211-76680	Oil Seal 12d-8t
14-18	24101-060064	Ball Bearing 6006
14-19	104271-76590	Gear, P.t.o. Shaft 62.5d-163.5l Z=23
	104511-76640	Bush (p.t.o. Shaft) 36d-19w

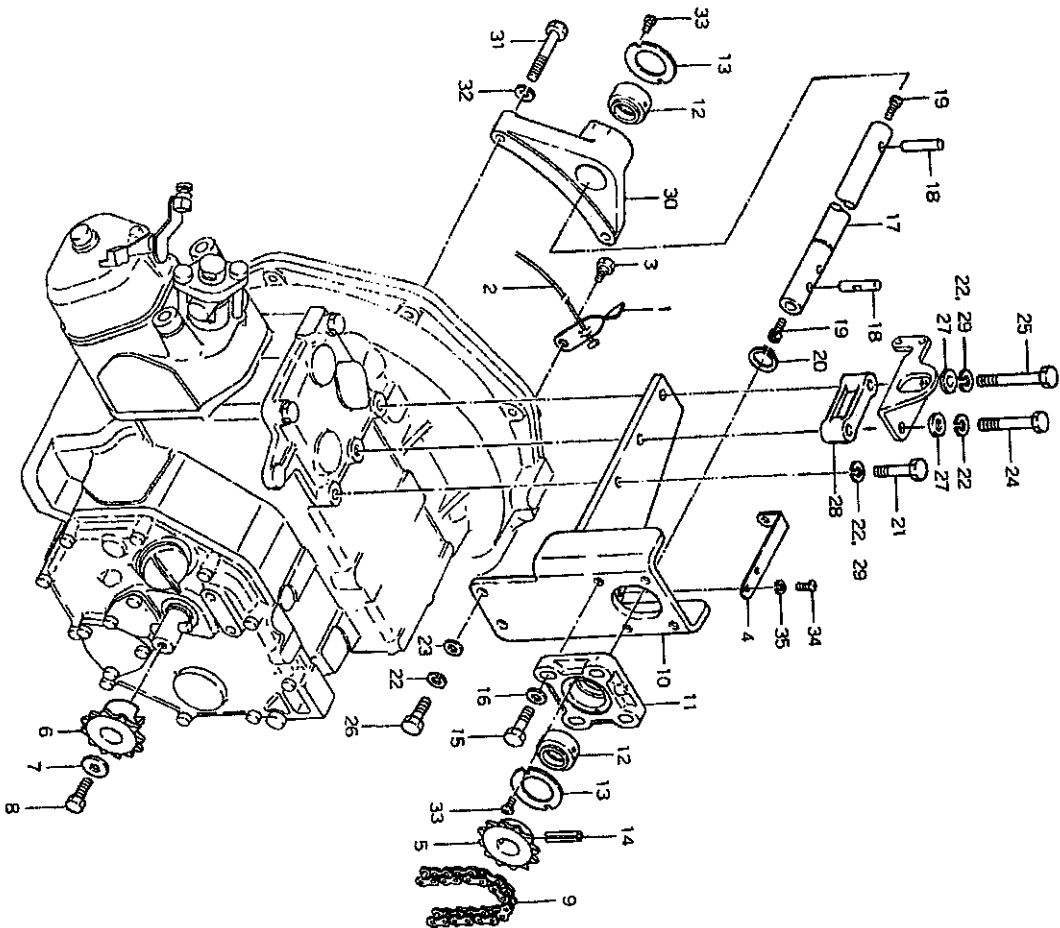
**MANUAL STARTING & P.T.O. SHAFT DEVICE**



N° Réf.	N° Pièce	Désignation
14-1	104271-76340	Shaft, Starting 25d-116.5I
14-2	101400-76480	Pin, Starting Shaft 9d-36I
14-3	104200-76500	Seal, Oil
14-4	104211-76070	Washer 36.5d-0.5t
14-5	104271-76330	Gear, Hand Starting
14-6	104271-76350	Roller Clutch
14-7	104271-76300	Bracket, Starting Shaft
14-8	26116-060452	Bolt M6x45
14-9	26116-060222	Bolt M6x22
14-10	22217-060000	Spring Washer 6
14-11	22242-000200	Circlip 20
14-12	104271-76790	Handle Comp., Starting (r=120)
	104511-76790	Handle Comp., Starting (r=150)
14-13	104271-76960	Pulley, P.t.o.
14-14	104300-76460	Lock Nut, P.t.o. Pulley
14-15	22512-070240	Key 7x24
14-16	104211-76680	Oil Seal 12d-8t
14-17	24101-060064	Ball Bearing 6006
14-18	104271-76590	Gear, P.t.o. Shaft 62.5d-163.5I Z=23
14-19	104511-76640	Bush (p.t.o. Shaft) 36d-19w

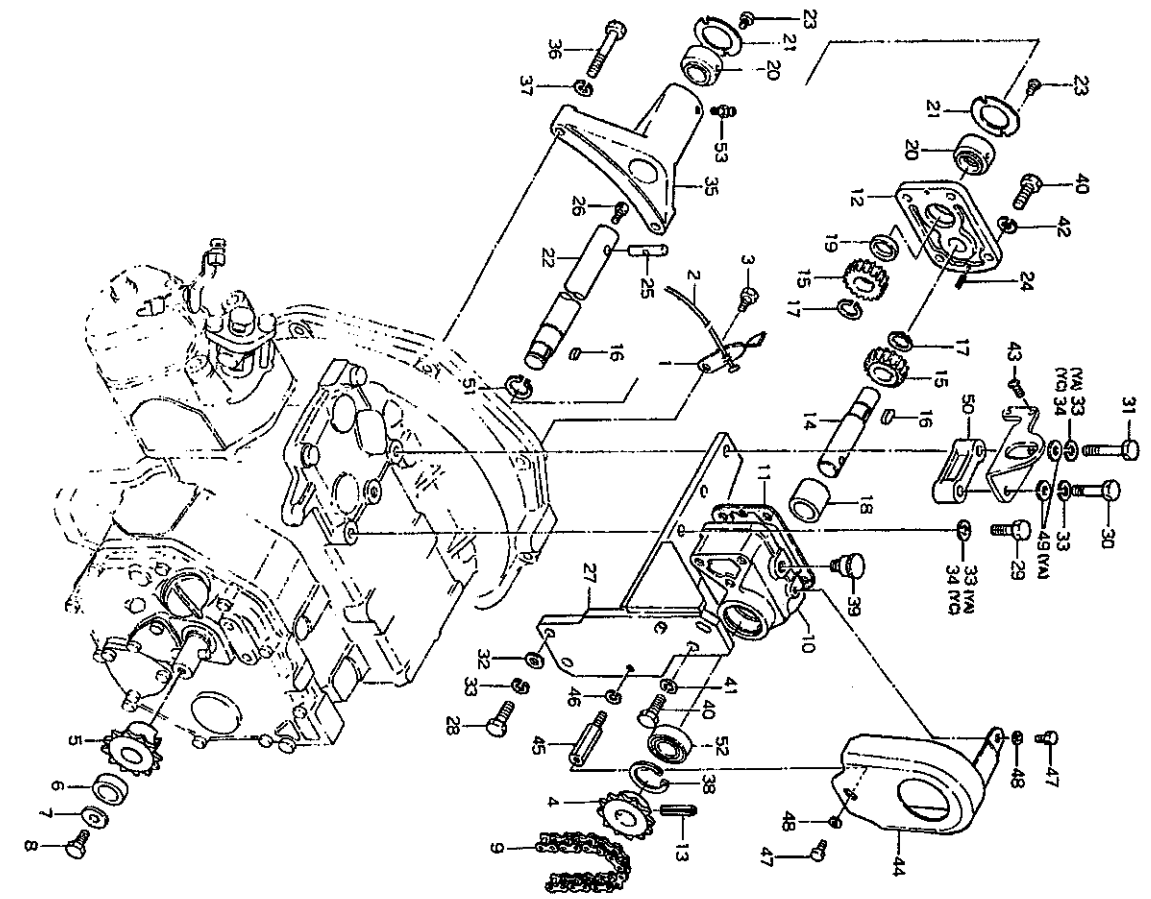


N° Réf.	N° Pièce	Désignation
14-1	104271-76340	Shaft, Starting 25d-116.5l
14-2	101400-76480	Pin, Starting Shaft 9d-36l
14-3	104200-76500	Seal, Oil
14-4	104211-76070	Washer 36.5d-0.5t
14-5	104271-76330	Gear, Hand Starting
14-6	104271-76350	Roller Clutch
14-7	104271-76300	Bracket, Starting Shaft
14-8	26116-060452	Bolt M6x45
14-9	26116-060222	Bolt M6x22
14-10	22242-060000	Spring Washer 6
14-11	22242-000200	Circlip 20
14-11	104271-76790	Handle Comp., Starting (r=120)
14-12	104511-76790	Handle Comp., Starting (r=150)
14-13	104271-76960	Pulley, P.t.o.
14-14	104300-76460	Lock Nut, P.t.o. Pulley
14-15	22512-070240	Key 7x24
14-16	104211-76680	Oil Seal 12d-8t
14-17	24101-060064	Ball Bearing 6006
14-18	104271-76590	Gear, P.t.o. Shaft 62.5d-163.5l Z=23
14-19	104511-76640	Bush (p.t.o. Shaft) 36d-19w

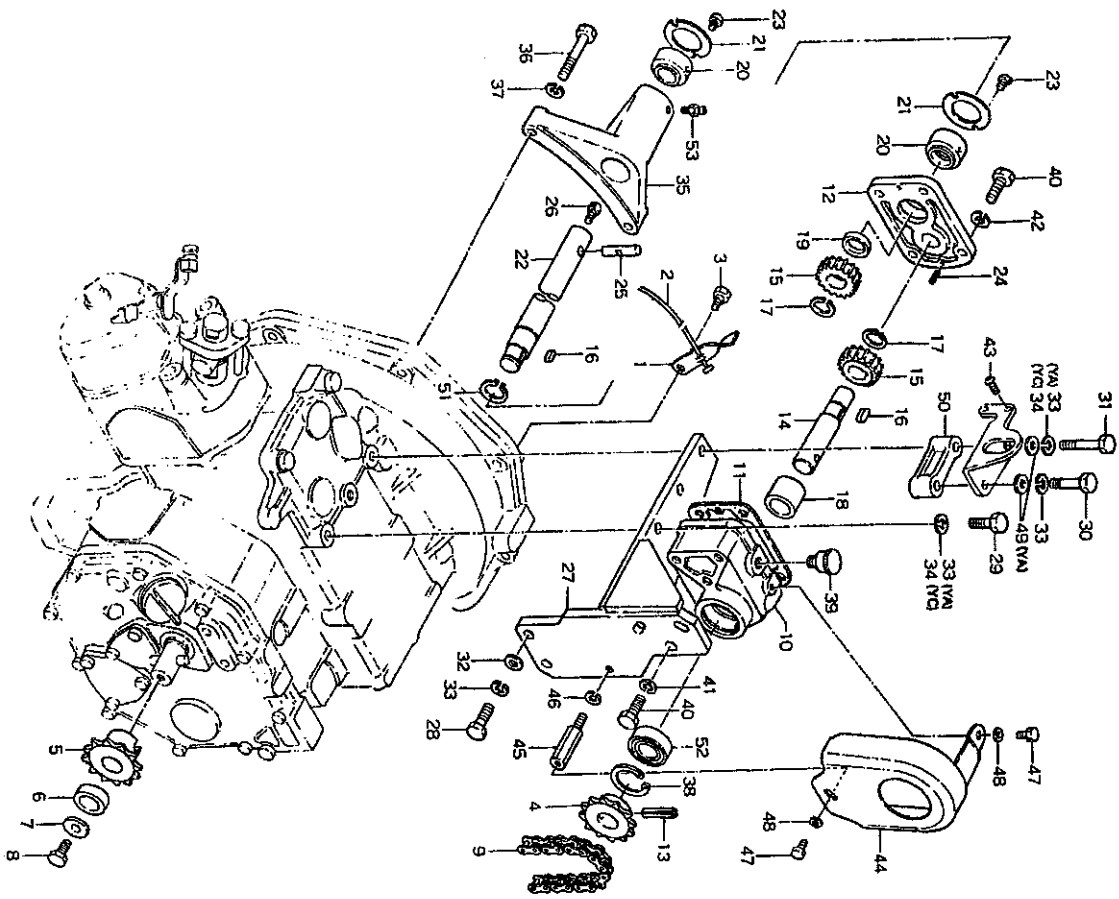


MANUAL STARTING [CHAIN] DEVICE (FOR YSM8-J & YSM12-J)

N° Réf.	N° Pièce	Désignation
15a-1	104211-03760	Lever (b), Decomp. 771
15a-2	104511-03850	Wire, Decomp. 4501
15a-3	104211-66040	Bolt, Regulator Handle M6-16.81
15a-4	104271-67110	Bracket, Wire
15a-5	104271-76010	Sprocket (driving) 55d-26w Z=12
15a-6	104271-76020	Sprocket (driven) 55d-26w Z=12
15a-7	121236-77340	Washer D=25, T=4.5
15a-8	26116-080122	Bolt M8x12
15a-9	25210-430420	Chain (roller) 43x42
15a-10	104271-76120	Bracket (a), Starting Shaft 92w-223.5l
15a-11	104571-76120	Bracket (a), Starting Shaft 92w-223.5l
15a-12	104271-76270	Case, Bearing 20w
15a-13	104271-76280	Bearing 32d-16w
15a-14	22351-080032	Retainer, Bearing 46d-1.2l
15a-15	26116-080252	Spring Pin 8awx32
15a-16	22137-080000	Bolt M8x25
15a-17	104271-76250	Washer 8
15a-18	104571-76250	Shaft, Starter 20d-585l
15a-19	105584-76480	Shaft, Starter 20d-615l
15a-20	26450-060122	Pin, Starter Shaft 9d-36l
15a-21	22242-000200	Bolt M6x12 (hexagonal Socket)
15a-22	26116-080402	Circlep 20
15a-23	26116-100452	Bolt M8x40
15a-24	22217-080000	Bolt M10x45
15a-25	22217-080000	Spring Washer 8
15a-26	22137-080000	Spring Washer 8
15a-27	26116-080452	Washer 8
15a-28	26116-080652	Bolt M8x45
15a-29	26116-100702	Bolt M8x65
15a-30	26116-080252	Bolt M10x70
15a-31	22137-080000	Bolt M8x25
15a-32	104271-07950	Washer 8
15a-33	22217-100000	Spacer
15a-34	104271-76130	Spring Washer 10
15a-35	104571-76130	Bracket (b), Starting Shaft
	26116-080502	Bracket (b), Starting Shaft
	22217-080000	Bolt M8x50
	26557-050082	Spring Washer 8
	26557-050102	Screw M5x8
	22217-050000	Screw M5x10
		Spring Washer 5

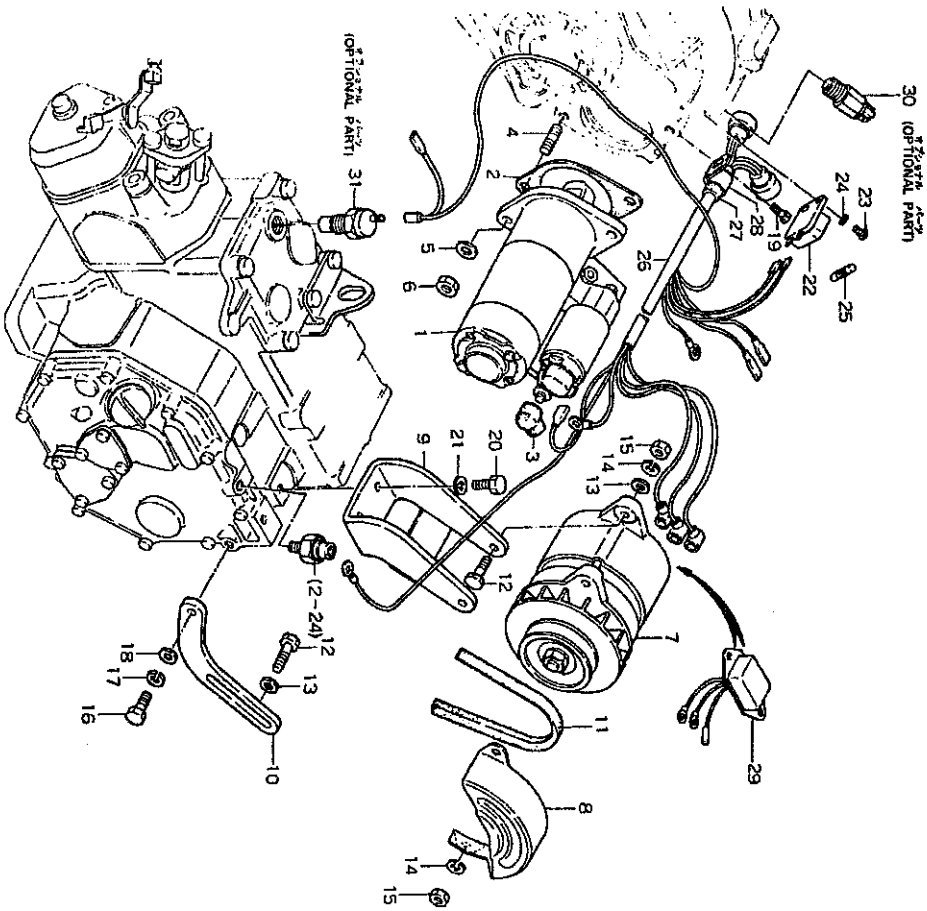


N° Réf.	N° Pièce	Désignation
15b-1	104211-03760	Lever (b), Decomp. 771
15b-2	104511-03850	Wire, Decomp. 4501
15b-3	104211-66040	Bolt, Regulator Handle M6-16, 8l
15b-4	104271-76010	Sprocket (driving) 55d-18w Z=12
15b-5	104271-76030	Sprocket (driven) 55d-26w Z=12
15b-6	104271-76040	Collar 30od-10l
15b-7	121236-77340	Washer 25od-14
15b-8	26116-080122	Bolt M8x10
15b-9	25210-430420	Chain (roller) 43x42
15b-10	104273-76271	Case, Gear
15b-11	104273-76290	Packing, Gear Case 105w-0.5t
15b-12	104273-76280	Cover, Gear Case 105w-17t
15b-13	22351-080032	Spring Pin 8awx32
15b-14	104273-76241	Shaft (a), Starting
15b-15	104200-76401	Gear, Starting
15b-16	22512-050120	Key 5x12, Start Gear
15b-17	22242-000180	Circlip 18
15b-18	104273-76190	Collar 27od-18l
15b-19	145610-39280	Collar 25od-4.5t
15b-20	104271-76260	Bearing 32od-16l
15b-21	104271-76280	Retainer, Bearing 46d-1.2t
15b-22	104273-76250	Shaft (b), Starting 20d-496l
15b-23	104573-76250	Shaft (b), Starting 20d-536l
15b-24	26557-050082	Screw M5x8
15b-25	22361-040012	Spring Pin 4awx12
15b-26	105584-76480	Pin, Starter Shaft 9d-36l
15b-27	26450-060122	Bolt (hexagonal Socket) M6x12
15b-28	104273-76121	Bracket (a), Starting Gear Case 225.5l-198h
15b-29	104573-76121	Bracket (a), Starting Gear Case 242l-190h
15b-30	26116-080252	Bolt M8x25
15b-31	26116-080402	Bolt M8x40
15b-32	26116-100452	Bolt M10x45
15b-33	26116-080452	Bolt M8x45
15b-34	26116-100702	Bolt M8x65
15b-35	22217-080000	Bolt M10x70
15b-36	22217-080000	Washer 8
15b-37	22217-080000	Spring Washer 8
15b-38	22217-080000	Spring Washer 8
15b-39	104273-76130	Spring Washer 10
15b-40	104573-76130	Bracket (b), Start Shaft 142.7w-90l
15b-41	26116-080502	Bracket (b), Start Shaft 154.6w-90l
15b-42	22217-080000	Bolt M8x50
15b-43	22217-080000	Spring Washer 8
15b-44	24754-200010	Circlip 42
	26116-080202	Grease Cup 20x1/8
	22137-080000	Bolt M8x20
	22217-080000	Washer 8
	26557-050102	Spring Washer 8
	104273-76170	Screw M5x10
		Cover, Chain 139l

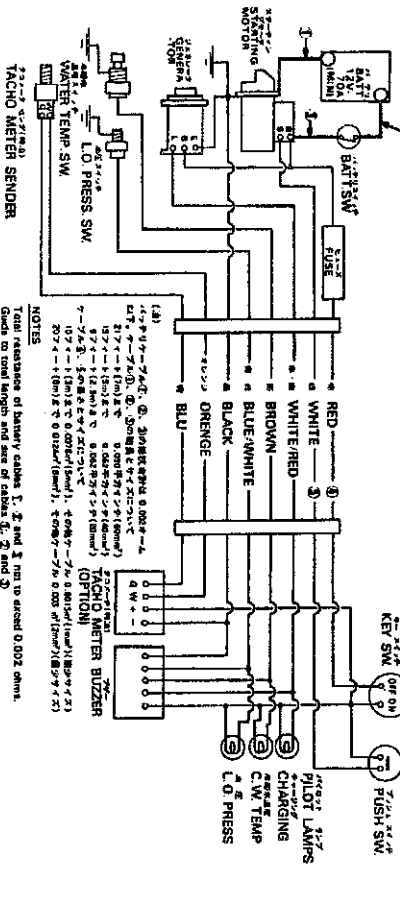
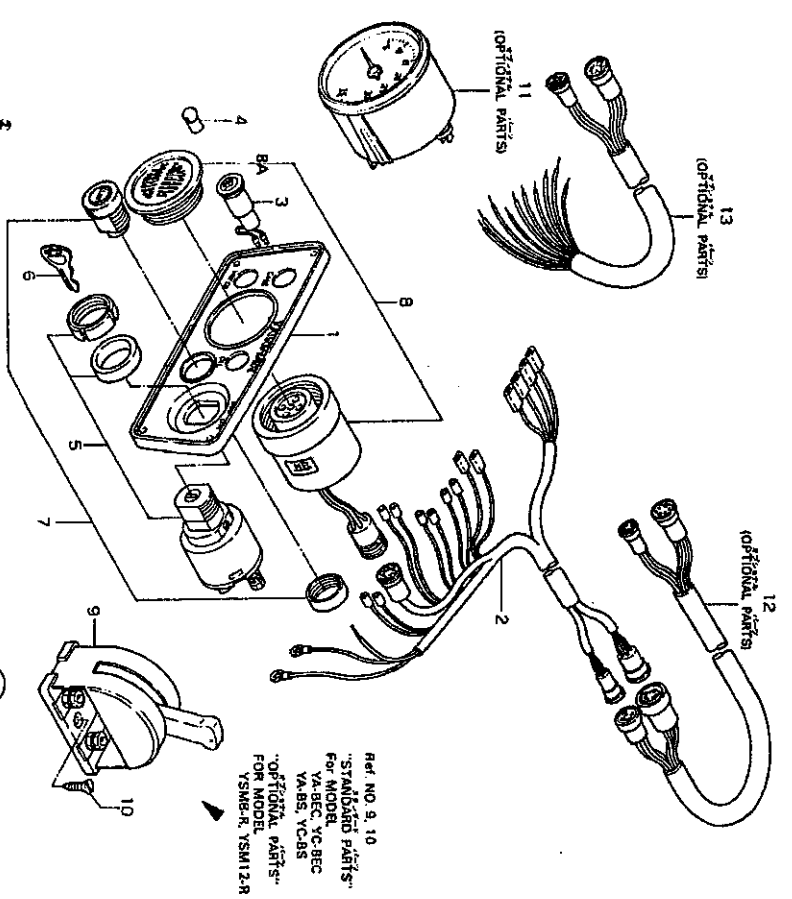


N° Réf.	N° Piece
15b-45	104407-44270
15b-46	22217-080000
15b-47	26116-060102
15b-48	22137-060000
15b-49	22137-080000
15b-50	104271-07950
15b-51	22242-000200
15b-52	24102-060044
15b-53	24764-010000

Désignation
Bolt M6/m8-58l
Spring Washer 8
Bolt M6x10
Washer 6
Washer 8
Spacer W72x22-20h
Circlep 20
Ball Bearing 6004u
Grease Nipple M6f



N° Ref.	N° Pièce	Désignation
16-1	104211-77011	Starter 12v. 1.0kw
16-2	104211-77080	Packing, Starting Motor 83d-0.3t
16-3	124550-77030	Cap, Terminal
16-4	26226-100222	Stud M10x22
16-5	22117-100000	Washer 10
16-6	26716-100002	Nut M10
16-7	121370-77200	Ac Generator
16-8	121250-77210	Cover, A.c. Generator
16-9	104271-77250	Bracket, Generator
16-10	104271-77330	Adjuster, V-belt
16-11	104271-77350	V-belt Hm26.5 Inch
16-12	26116-080302	Bolt M8x30
16-13	22117-080000	Washer 8
16-14	22217-080000	Spring Washer 8
16-15	26716-080002	Nut M8
16-16	26116-080202	Bolt M8x20
16-17	22217-080000	Spring Washer 8
16-18	22117-080000	Washer 8
16-19	26116-080102	Bolt M8x10
16-20	26116-080202	Bolt M8x20
16-21	22217-080000	Spring Washer 8
16-22	124070-77800	Fuse Box (20a)
16-23	124070-77801	Fuse Box (30a)
16-24	26557-050162	Screw M5x16
16-25	22217-050000	Spring Washer 5
16-26	46150-003660	Fuse 20a
16-27	104271-77920	Fuse (30a)
16-28	124770-77940	Wire Harness
16-29	124070-77950	Protector, Wire Harness
16-30	121370-77950	Clamp, Wire
16-31	124070-81160	Regulator, Voltage
	46150-004530	Sender Unit, Tachometer "optional Parts" Sender, C.w. Temperature "optional Parts"

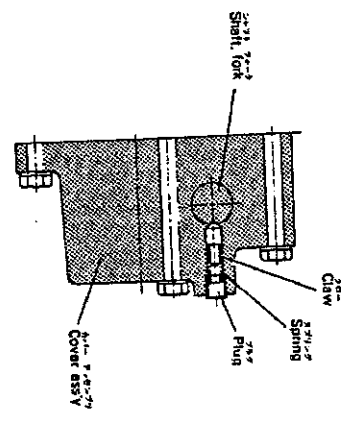
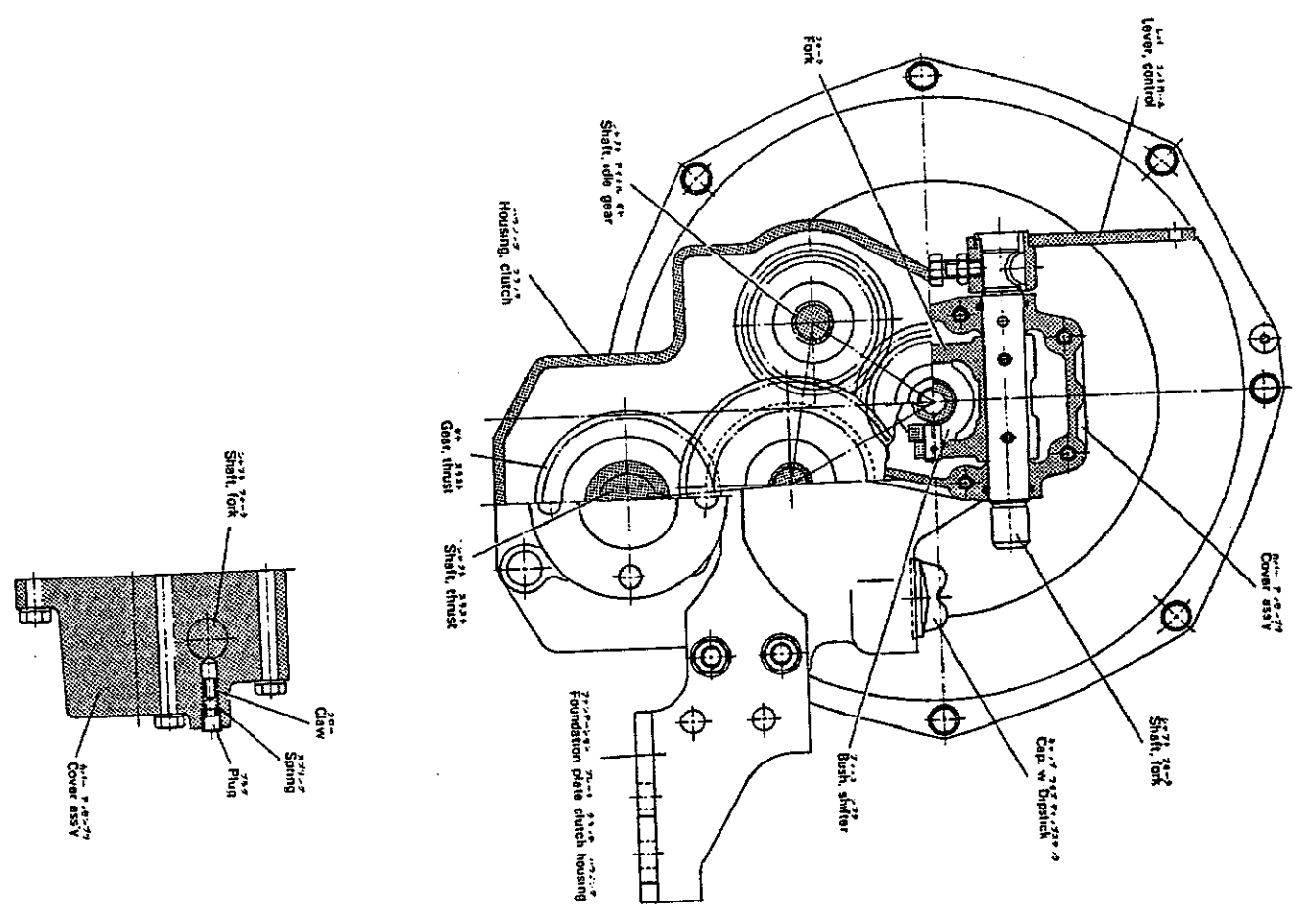
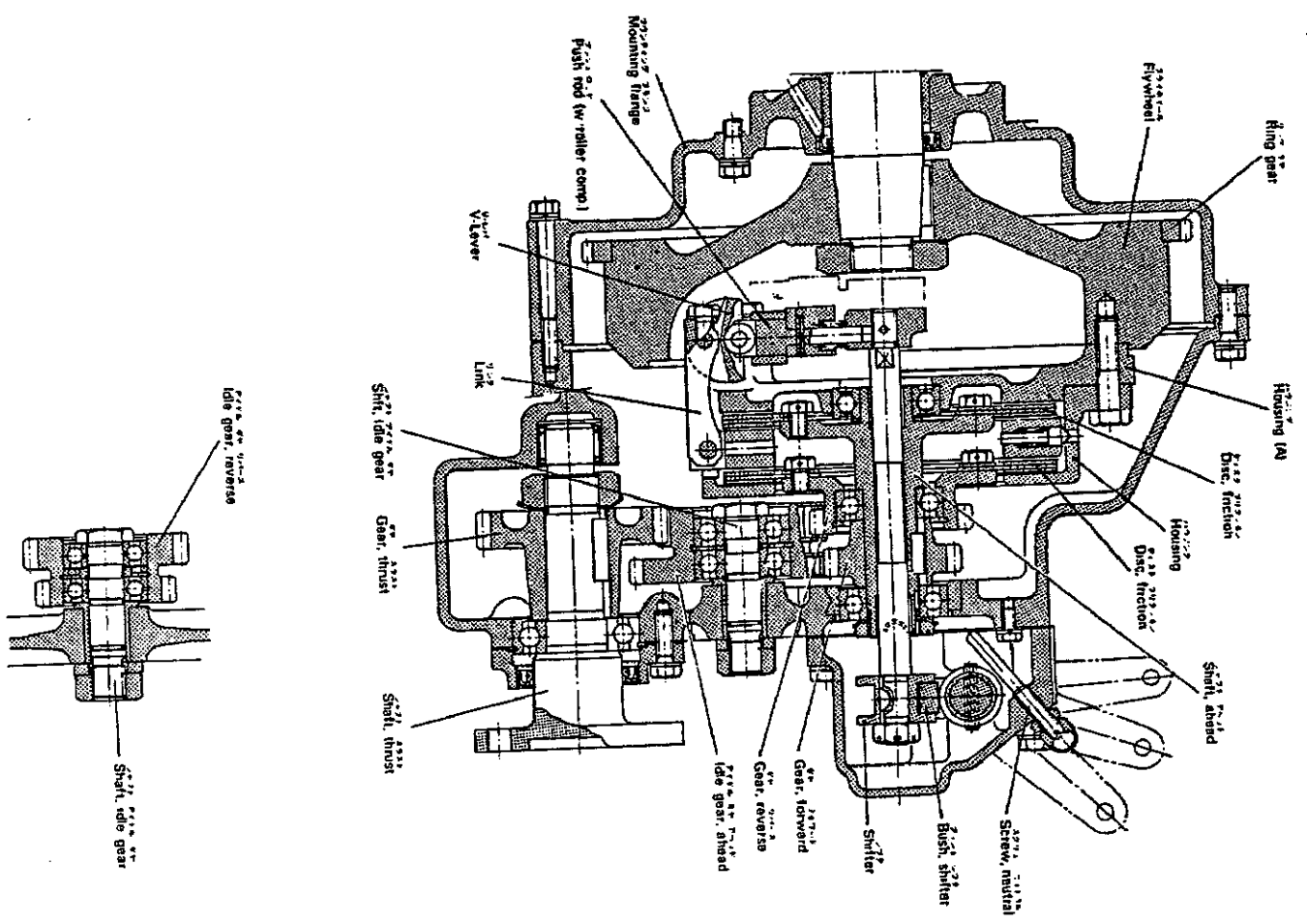


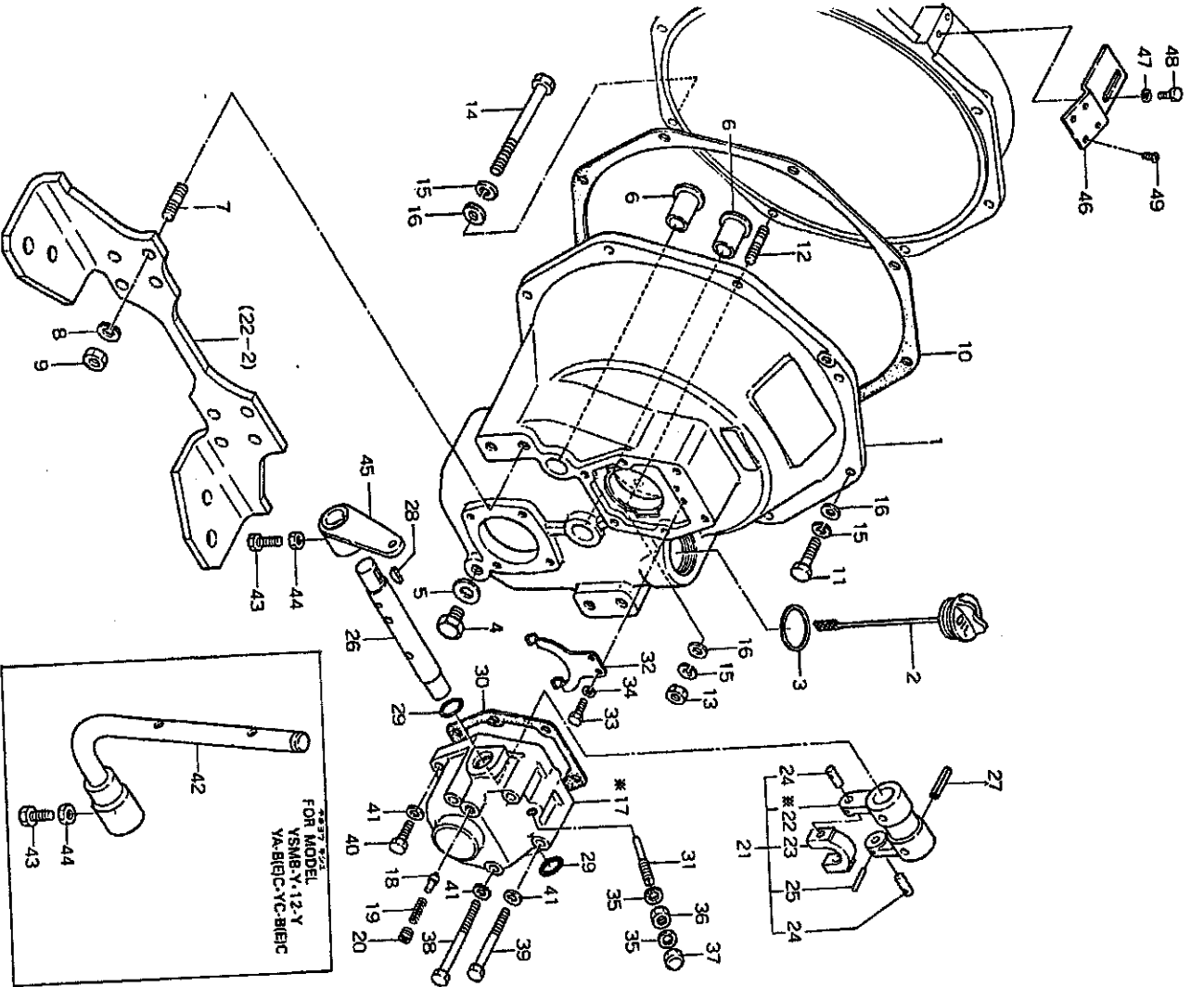
NOTES  
 Total clearance of battery cables ①, ② and ③ min. to avoid 0.002 stress.  
 Guide to total length and size of cables ①, ② and ③  
 Length up to not screwing:  
 ① 218(70) — 60mm  
 ② 218(70) — 60mm  
 ③ 218(70) — 60mm  
 (1) = Less than 3m; NO. ① and ② = 5mm  
 (2) = Less than 5m; NO. ③ and ④ = 5mm  
 (3) = Less than 5m; NO. ⑤ and ⑥ = 5mm  
 other cables = 1mm(1cm)  
 other cables = 3mm(1cm)

※マークは単体販売致しません。  
 \* MARK PARTS: NOT SOLD SEPARATELY.

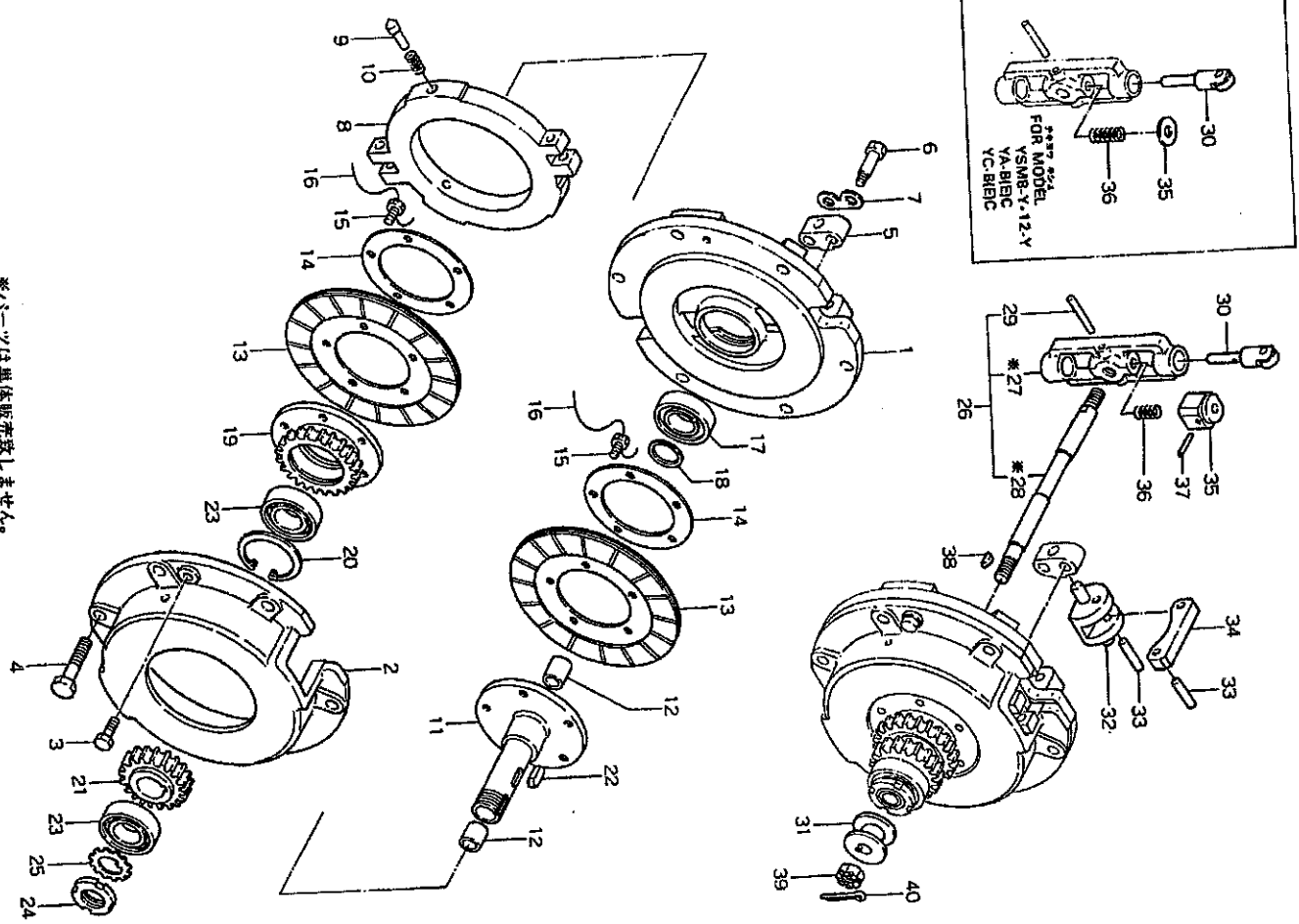
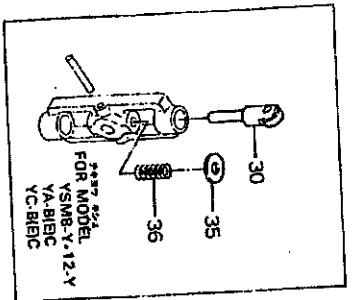
N° Réf.	N° pièce	Désignation
17-1	104271-91000	Panel Comp., Instrument
17-1	104271-91001	Panel Comp., Instrument
17-2	104271-91030	Panel, Instrument 1991-8t
17-3	124770-91040	Wire Harness, Panel
17-4	46150-001110	Lamp, Pilot 12d
17-5	124070-91250	• Bulb 12V-3W
17-6	124070-91290	Switch W/Key
17-7	124070-91200	• Key
17-7	124070-91300	Switch, Push Button
17-8	124070-91350	Switch, Push Button
17-8	104271-91351	Buzzer
17-8a	104271-91910	Buzzer
17-9	123310-77640	• Cover
17-10	22724-800380	Switch, Battery
17-10	22724-800380	Screw, Battery Switch
17-10	22724-800380	Screw, Battery Switch
17-11	124070-91100	Switch, Battery Switch
17-11	124070-91100	Screw, Battery Switch "optional Parts"
17-11	104571-91100	Tachometer "optional Parts"
17-11	104571-91101	Tachometer "optional Parts"
17-11	104571-91101	Tachometer "optional Parts"
17-14	46150-001110	Bulb 12v-3w "optional Parts"
17-12	124770-91500	Wire, Extension 3m "optional Parts"
17-12	124070-91520	Wire, Extension 6m "optional Parts"
17-13	124070-91550	Wire, Open "optional Parts"



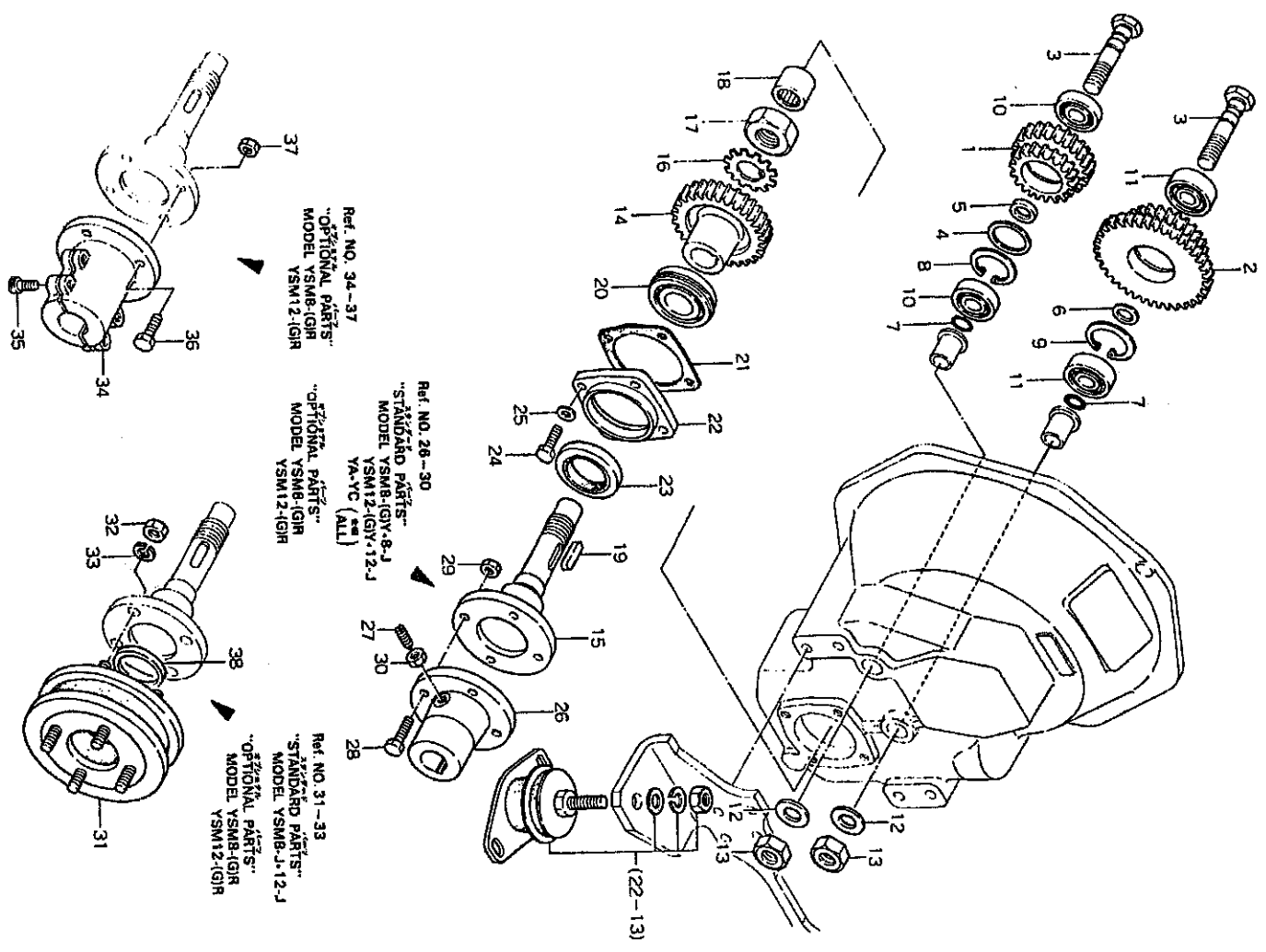


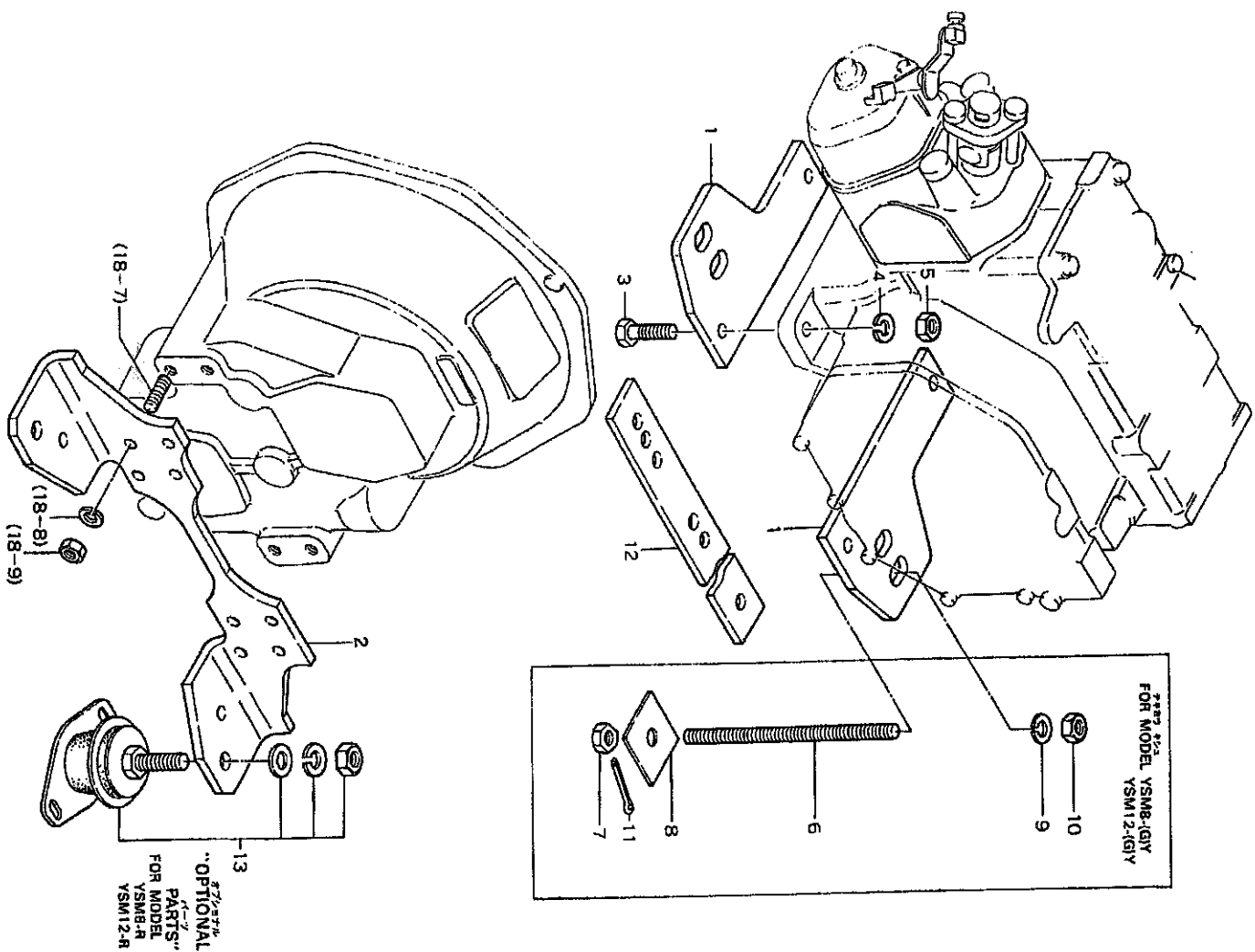


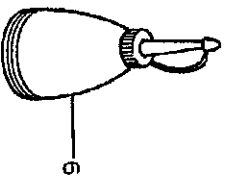
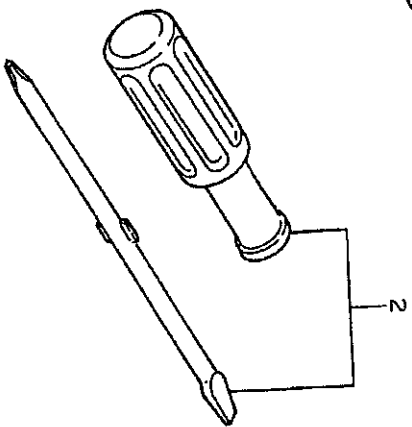
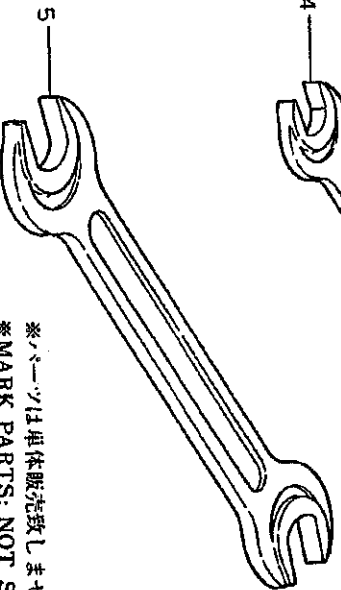
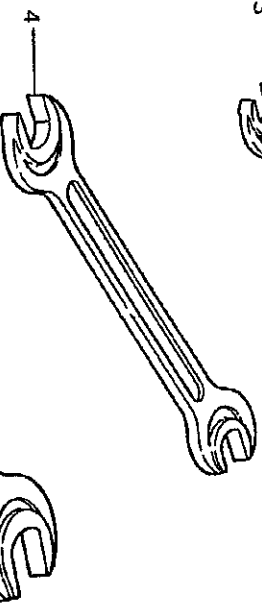
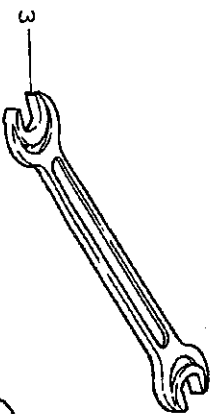
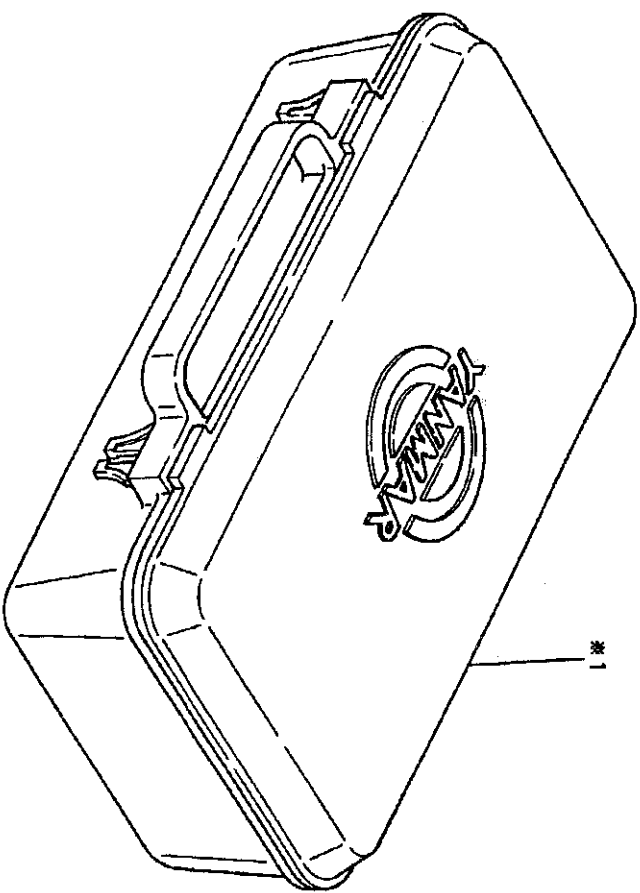
※パーツは単体販売致しません。  
 ※MARK PARTS: NOT SOLD SEPARATELY.



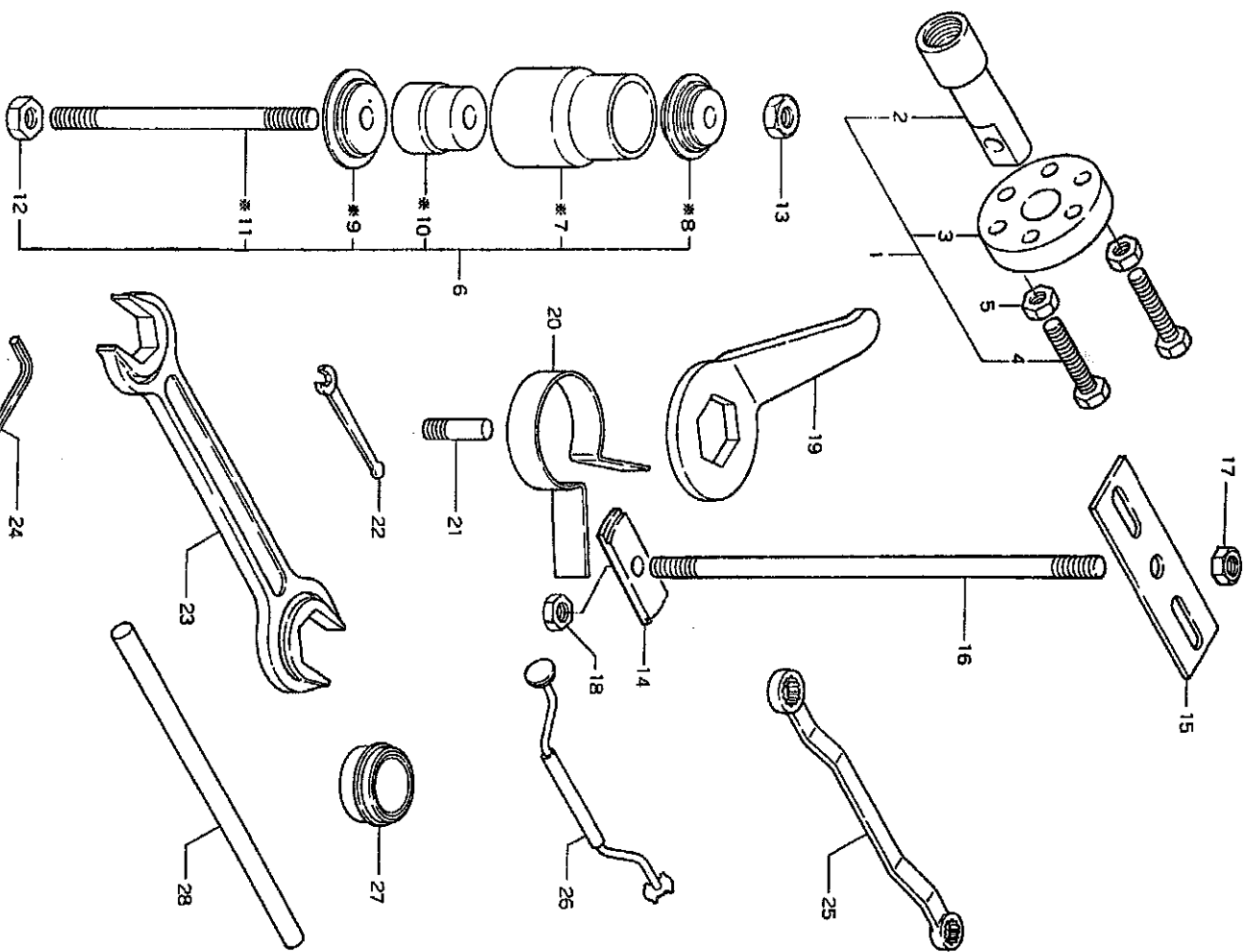
\*パーツは単体販売致しません。  
 \*MARK PARTS: NOT SOLD SEPARATELY.



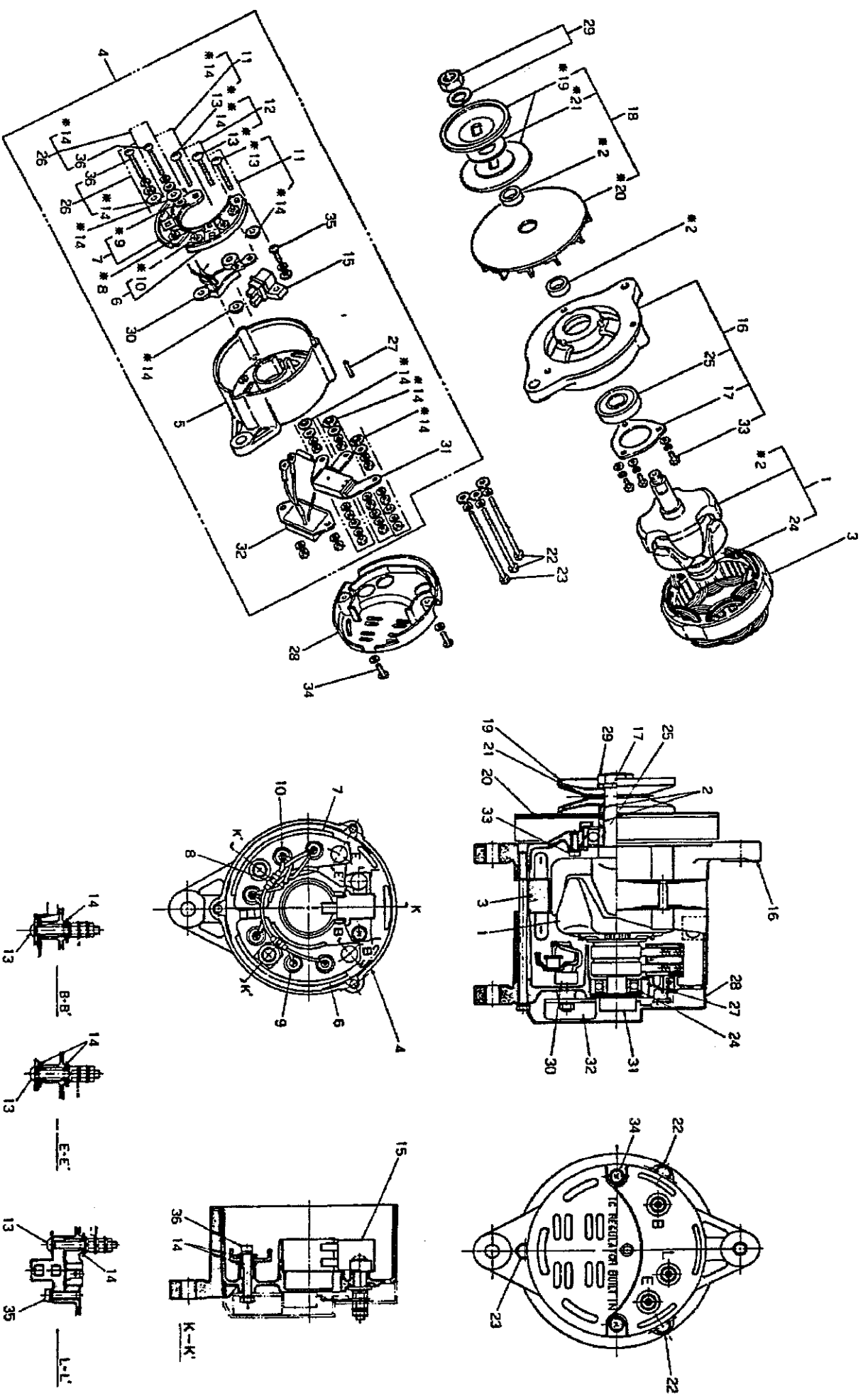




\*ハンマーは単体販売致しません。  
\* MARK PARTS: NOT SOLD SEPARATELY.

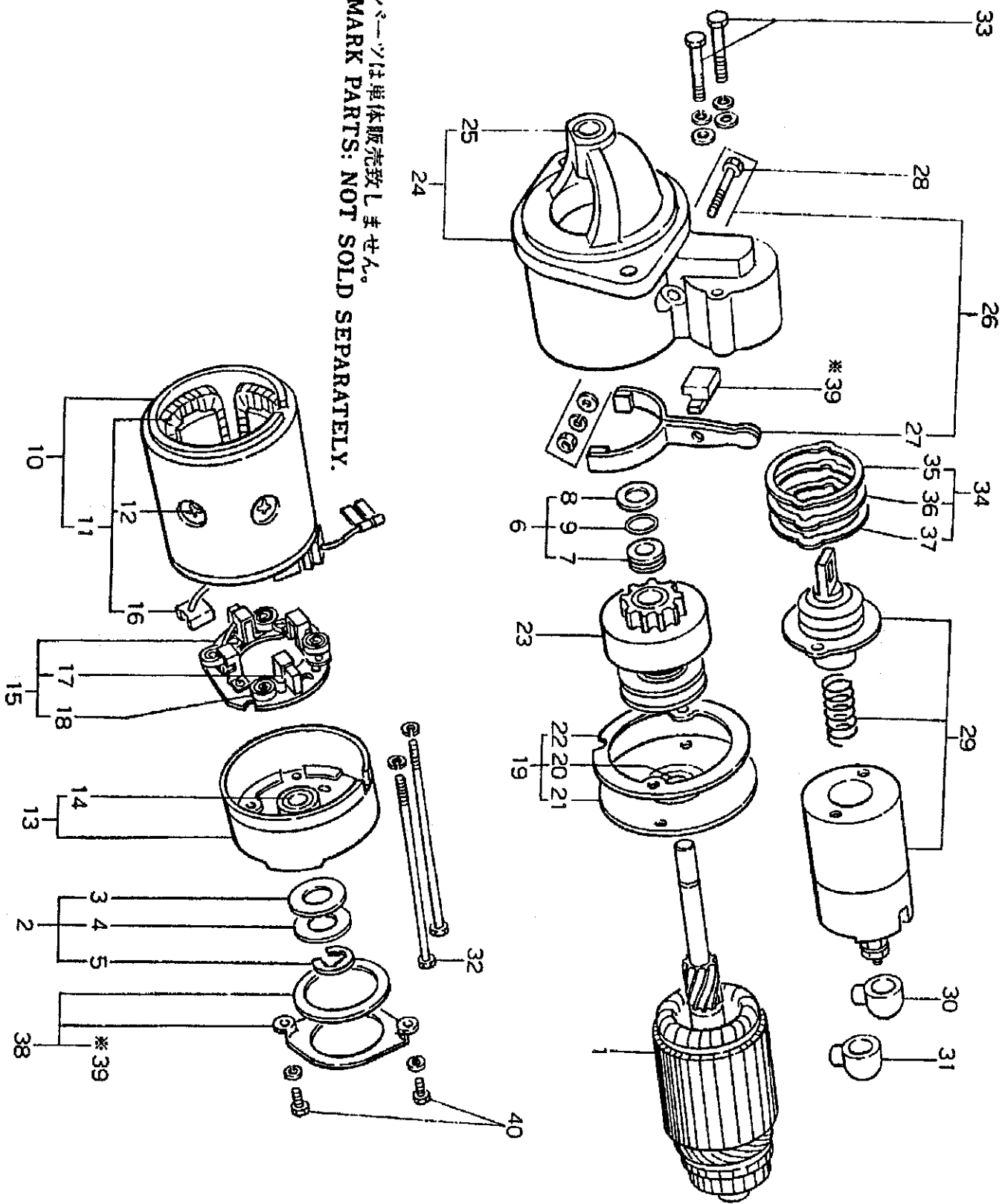


\*パーツは単体販売致しません。  
\*MARK PARTS: NOT SOLD SEPARATELY.

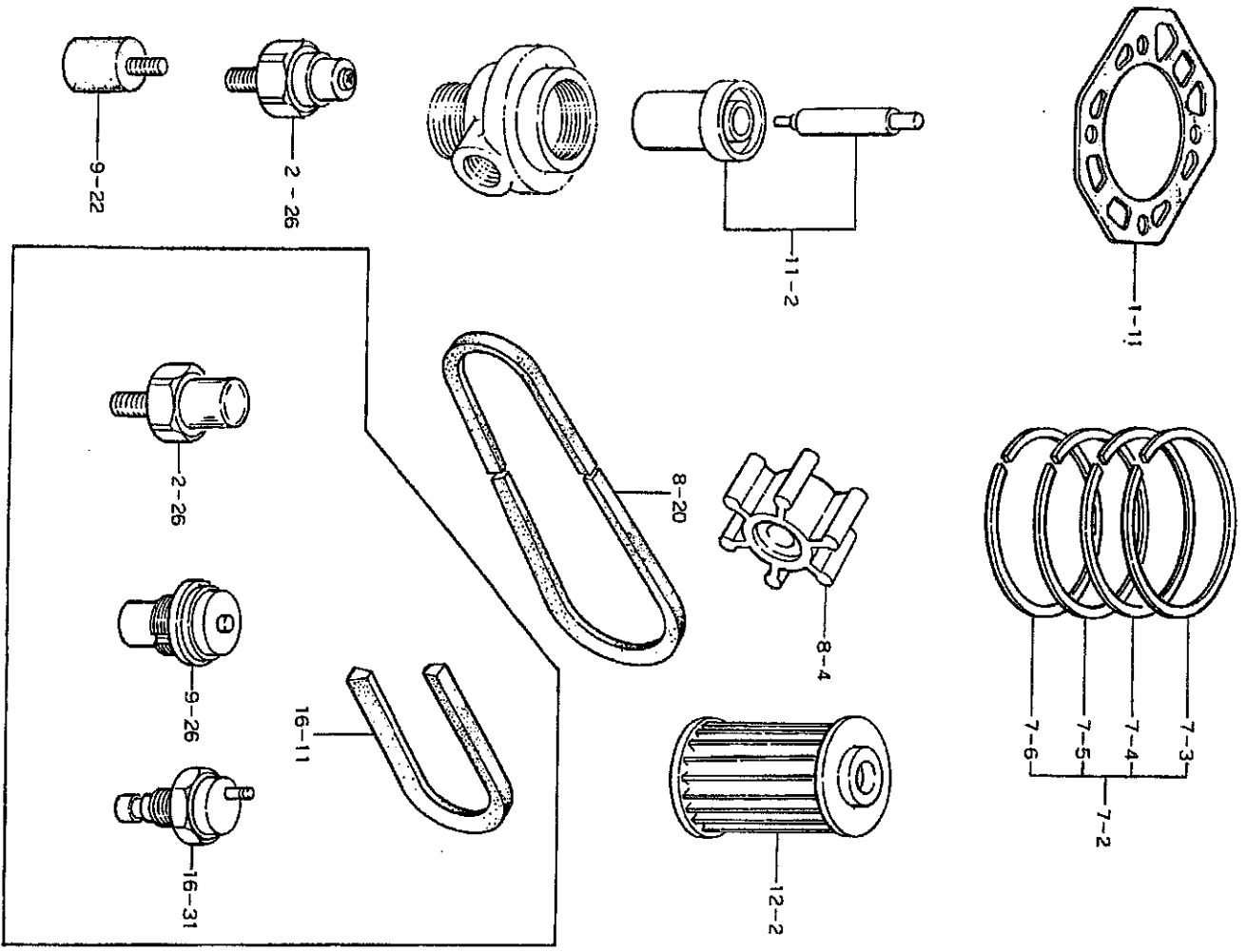


※パーツは単体販売致しません。  
 ※MADE IN JAPAN. NOT FOR EXPORT.

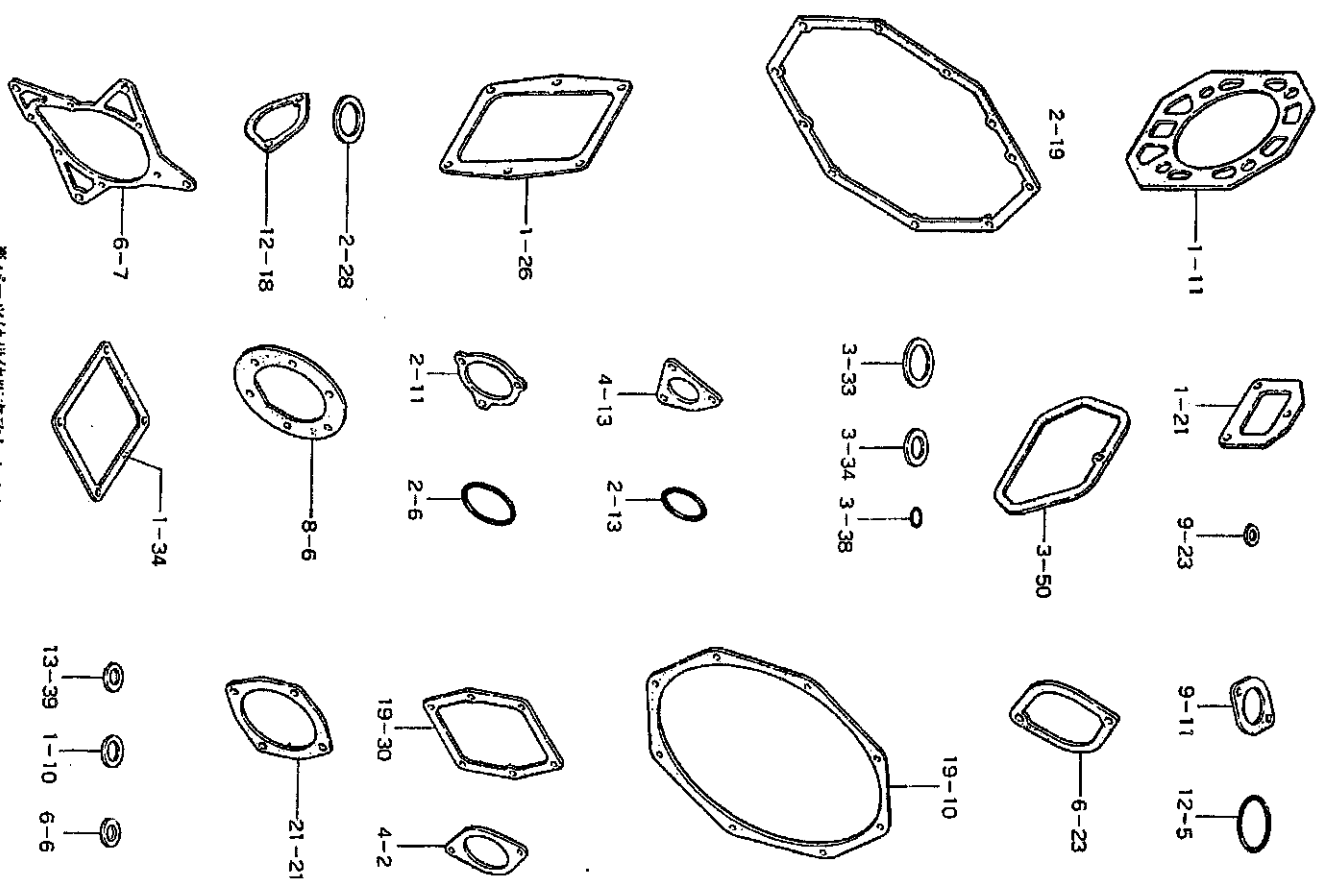




※パーツは単体販売致しません。  
 ※MARK PARTS: NOT SOLD SEPARATELY.



※パーツは単体販売致しません。  
※ MARK PARTS: NOT SOLD SEPARATELY.



※マークは単体販売致しません。  
※MARK PARTS: NOT SOLD SEPARATELY.