

F8A(6J6) F9.9A(6G8)

CONTENTS

Fig. 1	CRANKCASE & CYLINDER	A3
Fig. 2	CRANK & PISTON	A4
Fig. 3	VALVE	A5
Fig. 4	OIL PUMP & BELT	A6
Fig. 5	CARBURETOR	A7
Fig. 6	INTAKE	B1
Fig. 7	STARTER	B2
Fig. 8	FUEL 1	B3
Fig. 9	FUEL 2	B4
Fig. 10	TOP COWLING	B5
Fig. 11	BOTTOM COWLING	B6
Fig. 12	BRACKET 1	B7
Fig. 13	BRACKET 2	C1
Fig. 14	STEERING	C2
Fig. 15	CONTROL	C3
Fig. 16	OIL PAN	C4
Fig. 17	UPPER CASING	C5
Fig. 18	LOWER & DRIVE 1	C6
Fig. 19	LOWER & DRIVE 2	C7
Fig. 20	C.D.I. MAGNETO	D1
Fig. 21	ELECTRICAL	D2
Fig. 22	C.D.I. MAGNETO (F8AEM/F9.9AEM/F9.9AE MODEL)	D3
Fig. 23	STARTING MOTOR (F8AEM/F9.9AEM/F9.9AE MODEL)	D4
Fig. 24	ELECTRIC PARTS (F8AEM/F9.9AEM MODEL)	D5
Fig. 25	ELECTRIC PARTS (F9.9AE MODEL)	D6
Fig. 26	REMOTE CONTROL	D7
Fig. 27	REMOTE CONTROL ASS'Y	E1
Fig. 28	OPTIONAL PARTS	E2
Fig. 29	REPAIR KIT 1	E3
Fig. 30	REPAIR KIT 2	E4
	NUMRICAL INDEX	

FOREWORD

This Parts Catalogue is related to the parts in use for the Yamaha outboard motor F8A '87 (6J6), F9.9A '87 (6G8). When you are ordering replacement parts for the F8A '87 (6J6), F9.9A '87 (6G8), refer to this Parts Catalogue and quote both part numbers and part names correctly.

1. Modifications or additions which have been made after issue of the Parts Catalogue will be announced in the Yamaha Parts News.
It is advisable that according to the Yamaha Parts News you make necessary corrections to the Parts Catalogue on hand to keep it up-to-date.

2. Abbreviations

The following abbreviations are used in this Parts Catalogue.

- U.R. Use size (thickness) and/or number as required.
- U.N. Use as many as you need.
- A.P. Alternate Parts
- S.T.D. Standard
- O.S. Over Size

3. Parts, which are to be supplied in the form of assemblies, are listed with an indention of one letter's space, and a dot (.) is put against the name of each part.

EXAMPLE

CARBURETOR ASS'Y
 . JET, pilot
 . NOZZLE, main

4. Indication of No. of constituent parts for assembly.

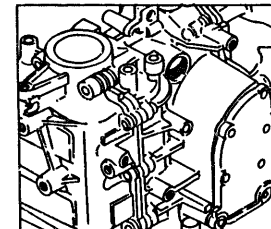
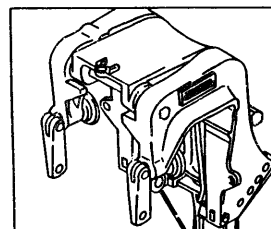
The numeral appearing to the right of each constituent part under the description indicates the quantity of such parts for each individual assembly unit.

EXAMPLE

Part No.	Description	Q'ty	Remarks
6E0-85500-70	C.D.I. MAGNETO ASS'Y	1	
6E0-85550-70	. ROTOR ASS'Y	1	
6E0-15723-00-94	.. PULLEY, starter	1	

5. Initial Serial No. and Color Code

Engine Serial No.	
F8AM	L:300181 and following UL:700101 and following
F8AEM	L:500171 and following UL:760111 and following
F9.9AM	L:300854 and following UL:701024 and following
F9.9AE	L:400777 and following UL:760330 and following
F9.9AEM	L:462036 and following UL:781698 and following



Color Code	Color Name	Abbreviate
EL	HARBOR WHITE	HW

Fig. 1 CRANKCASE & CYLINDER

Ref.No.	Parts No.	Description	Q'ty	Ref.No.	Parts No.	Description	Q'ty
1	6G8-W0090-03-EL	CRANK CYLINDER ASS'Y	1	25	90105-08M36	BOLT	3
2	6G8-15100-02-94	CRANKCASE ASS'Y	1	26	99510-10114	PIN, dowel A	2
3	99510-10114	PIN, dowel A	2	27	97313-06035	BOLT	2
4	90119-08M18	BOLT	4	28	92903-06600	WASHER	2
5	90119-06M12	BOLT	6	29	6G8-11181-00	GASKET, cylinder head	1
6	6G8-41111-00-9M	INNER COVER, exhaust	1	30	93210-11M59	O-RING	1
7	6G8-41112-00	GASKET, exhaust inner cover	2	31	6G8-11191-01-94	COVER, cylinder head	1
8	6G8-41113-00-9M	OUTER COVER, exhaust	1	32	6G8-15373-00	PIPE, breather	1
9	97313-06025	BOLT	7	33	676-11372-00	NIPPLE, hose 2	1
10	92990-06600	WASHER	7	34	6G8-11356-00	SEAL	1
11	6G8-12411-00	THERMOSTAT	1	35	97313-06020	BOLT	4
12	6G8-12413-00-94	COVER, thermostat	1	36	92903-06600	WASHER	4
13	6E5-24377-00	PIPE, joint	1	37	6G8-81336-00	GROMMET	2
14	6G8-12414-00	GASKET, cover	1	38	6G8-11325-00	ANODE	1
15	97313-06020	BOLT	2	39	98580-05025	SCREW, panhead	1
16	92903-06600	WASHER	2	40	6G8-11197-00	PLUG, blind	1
17	90445-11M66	HOSE	1	41	93210-13M63	O-RING	1
18	6G8-11111-01-94	HEAD, cylinder	1	42	6G8-15363-00	PLUG, oil	1
19	6G8-11133-10	. GUIDE, valve intake	4	43	93210-24M79	O-RING	1
20	93450-09M01	. CIRCLIP	4	44	94701-00282	PLUG, spark (CR6HS) NGK (F9.9A Model)	2 U.R.
21	676-11372-00	. NIPPLE, hose	1	94701-00300	PLUG, spark (CR5HS) NGK (FBA Model)	2 U.R.	
22	6G8-11372-01	. NIPPLE, hose	1	45	6G8-11351-00	GASKET, cylinder	1
23	6G8-12481-00	PIPE	1				
24	90105-08M37	BOLT	3				

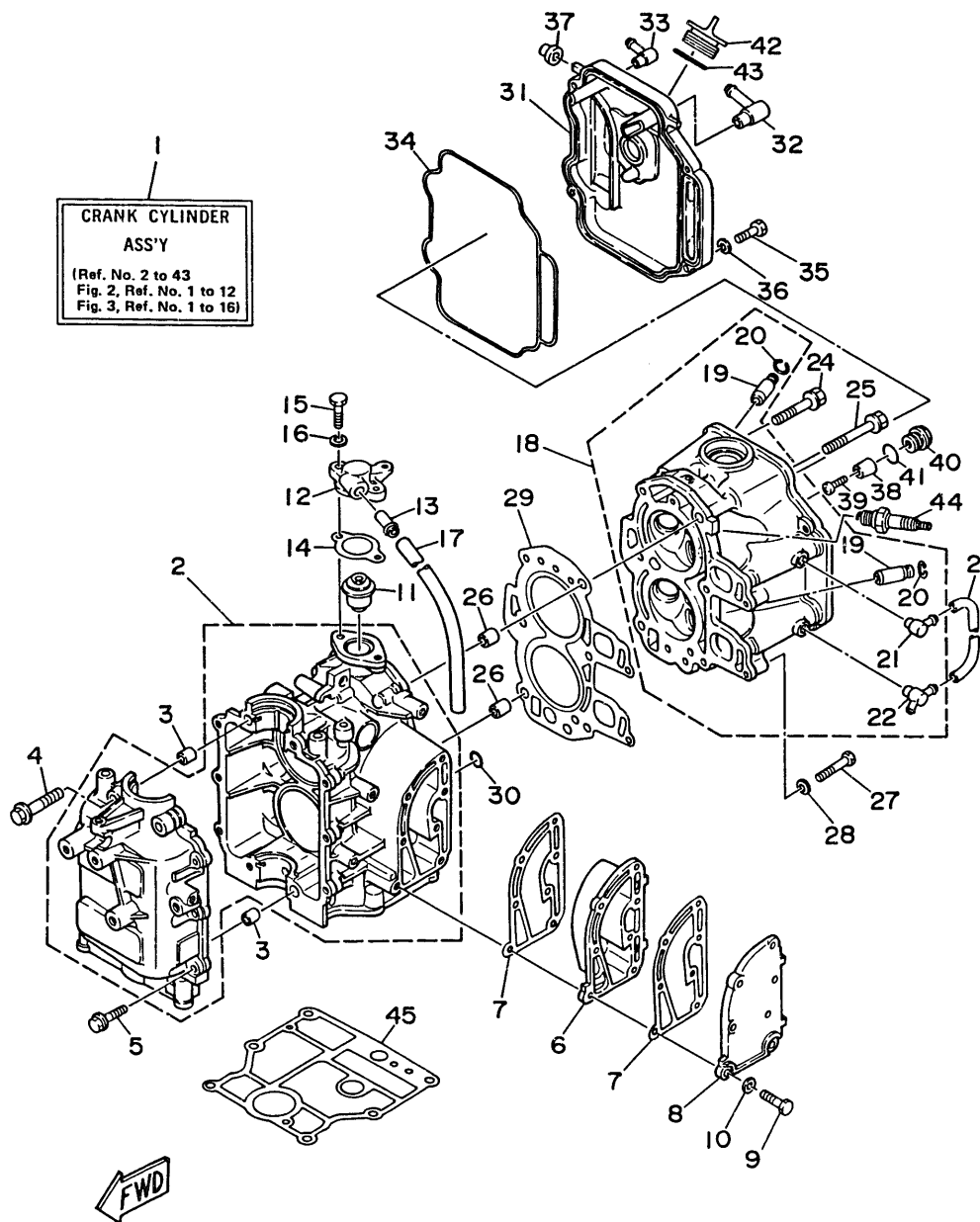
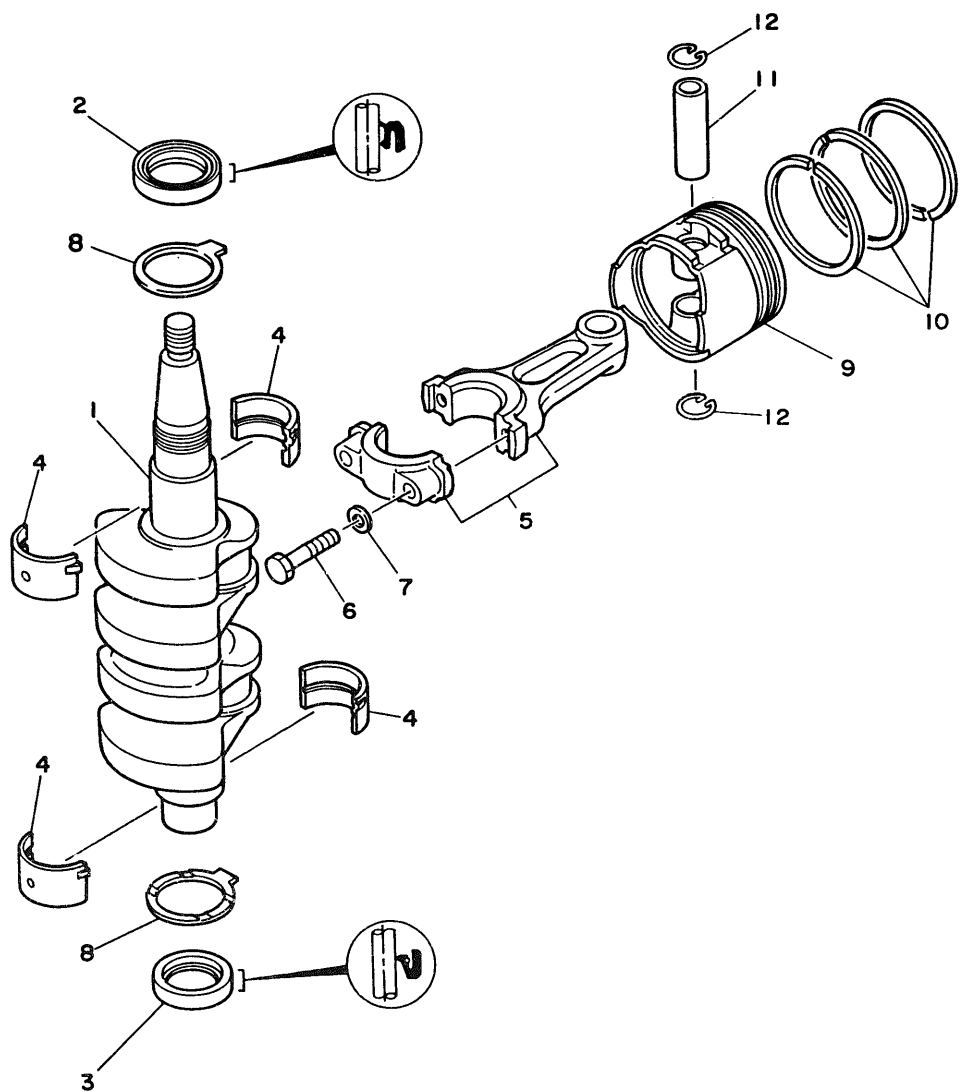


Fig. 2 CRANK & PISTON



Ref.No.	Parts No.	Description	Q'ty	Ref.No.	Parts No.	Description	Q'ty
1	6G8-11411-02	CRANK SHAFT	1	8	6G8-11426-00	BEARING, thrust	2
2	93102-30M22	OIL SEAL	1	9	6G8-11631-00-97	PISTON (S.T.D.)	2
3	93101-25M24	OIL SEAL	1		6G8-11635-00	PISTON (1st O.S.)	2 A.P.
4	6G8-11416-00	BEARING, plain (Brown)	4 U.R.		6G8-11636-00	PISTON (2nd O.S.)	2 A.P.
	6G8-11416-10	BEARING, plain (Black)	4 U.R.	10	6G8-11610-00	PISTON RING SET (S.T.D.)	2
	6G8-11416-20	BEARING, plain (Blue)	4 U.R.		6G8-11610-10	PISTON RING SET (1st O.S.)	2 A.P.
5	6G8-11650-01	ROD, connecting	2		6G8-11610-20	PISTON RING SET (2nd O.S.)	2 A.P.
6	6G8-11654-00	BOLT, connecting rod	4	11	6G8-11633-00	PIN, piston	2
7	90201-06M00	WASHER, plate	4	12	93450-15023	CIRCLIP	4

FWD

A4

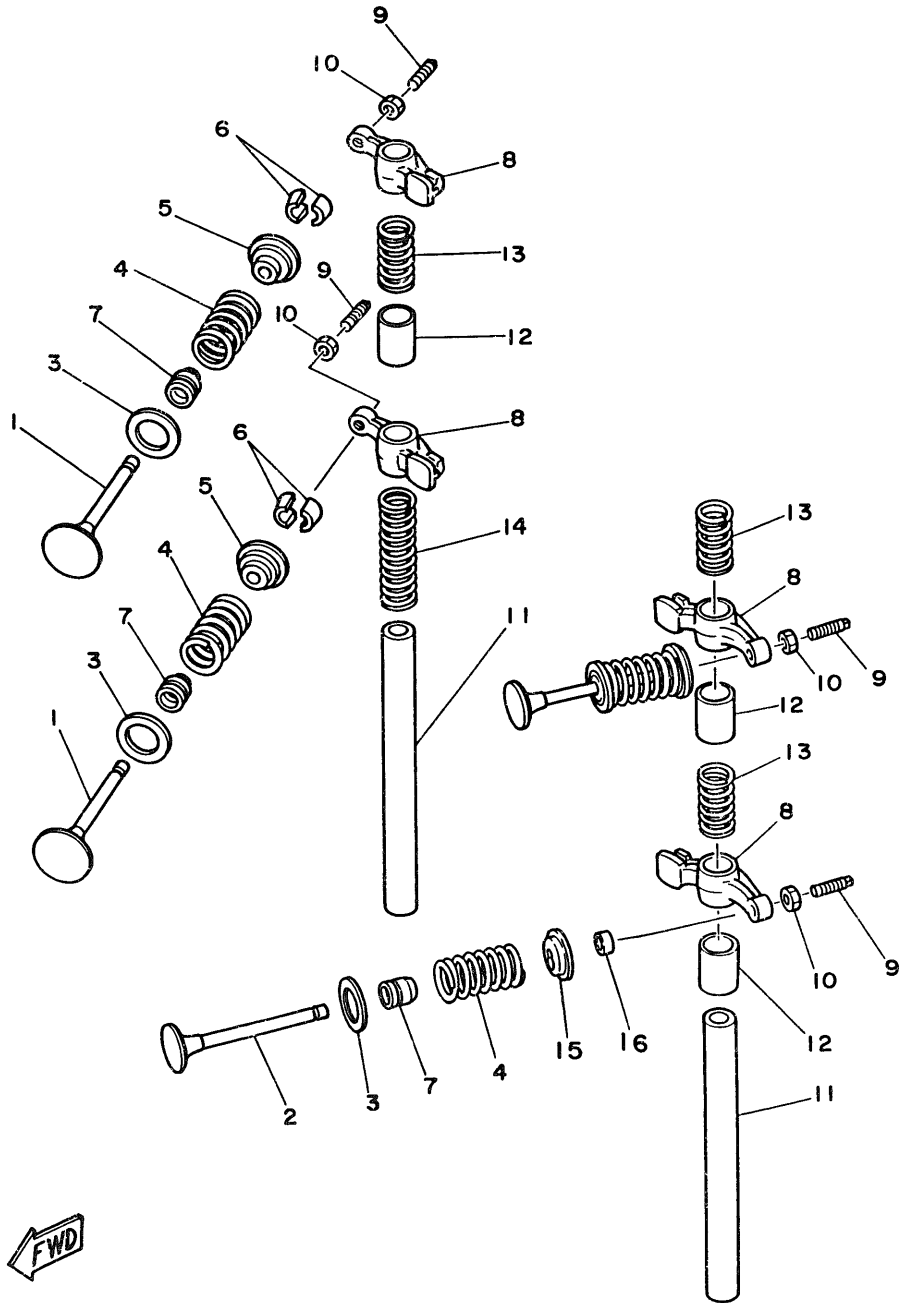


Fig. 3 VALVE

Ref.No.	Parts No.	Description	Q'ty	Ref.No.	Parts No.	Description	Q'ty
1	6G8-12111-00	VALVE, intake	2	9	6G8-12159-00	SCREW, valve adjusting	4
2	6G8-12121-01	VALVE, exhaust	2	10	6G8-12158-00	NUT, lock	4
3	6G8-12116-00	SEAT, valve spring	4	11	6G8-12146-00	SHAFT, rocker	2
4	6G8-12113-00	SPRING, compression	4	12	90387-13M56	COLLAR	3
5	6G8-12117-00	RETAINER, valve spring	2	13	90501-12M40	SPRING, compression	3
6	30X-12118-00	LOCK VALVE, spring retainer	4	14	90501-12M41	SPRING, compression	1
7	30X-12119-00	SEAL, valve stem oil	4	15	6G8-12117-10	RETAINER, valve spring	2
8	6G8-12151-00	ARM, valve rocker	4	16	6G8-12153-00	LIFTER, valve	2

Fig. 4 OIL PUMP & BELT

Ref.No.	Parts No.	Description	Q'ty	Ref.No.	Parts No.	Description	Q'ty
1	6G8-46241-00	BELT	1	9	97313-06016	BOLT	1
2	6G8-11536-00-94	GEAR, drive	1	10	90201-06M94	WASHER	1
3	6G8-11557-00	WASHER 1	2	11	6G8-12171-00	SHAFT, cam	1
4	90170-24M09	NUT	1	12	93102-18M21	OIL SEAL	1
5	6G8-11587-00	WASHER, lock	1	13	6G8-13300-01	OIL PUMP ASS'Y	1
6	6G8-11537-00-94	GEAR, driven	1	14	6G8-13329-00	GASKET, pump	1
7	90280-03M01	KEY, woodruff	2	15	97313-06025	BOLT	3
8	90201-13201	WASHER	1	16	92903-06600	WASHER	3

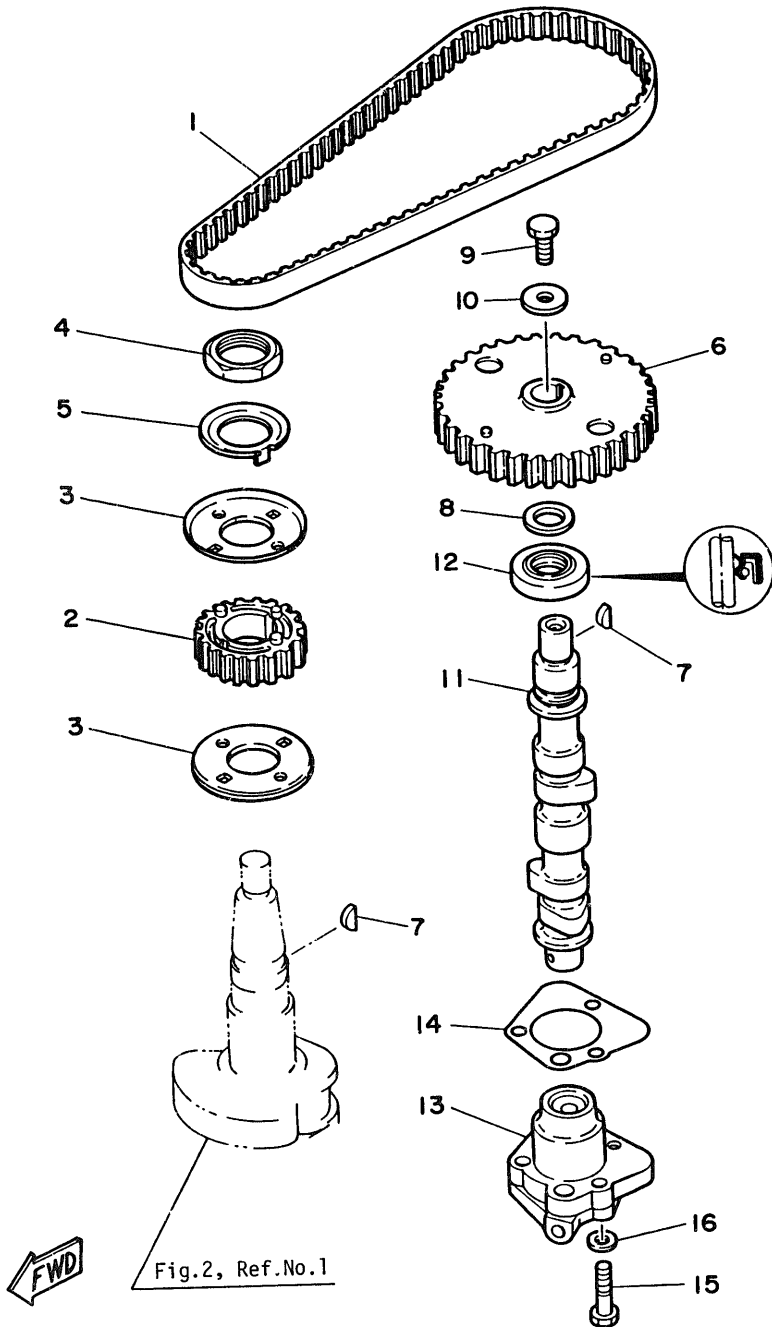
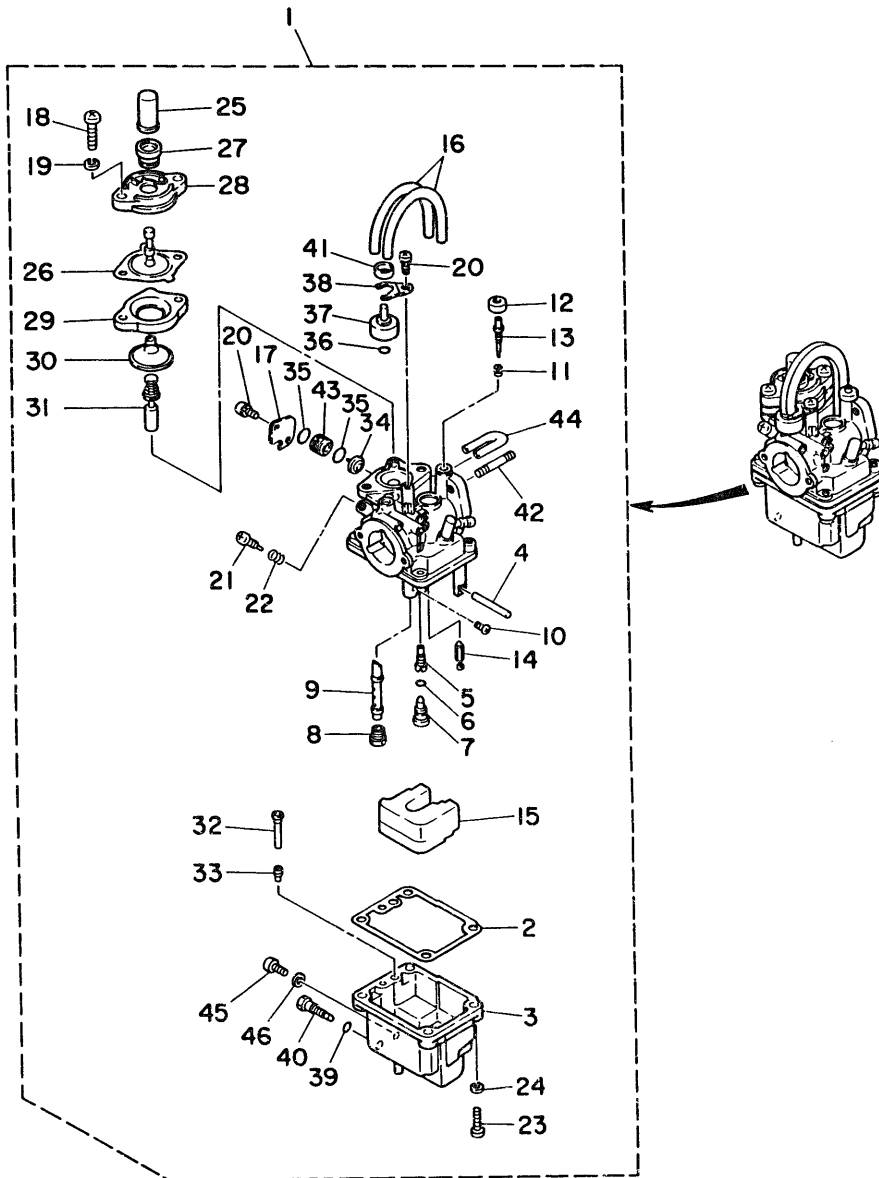


Fig. 5 CARBURETOR

Ref.No.	Parts No.	Description	Q'ty	Ref.No.	Parts No.	Description	Q'ty
1	668-14301-00	CARBURETOR ASS'Y (F9.9A Model)	1 U.R.	22	646-14212-01	. SPRING, air adjusting	1
	6J6-14301-01	CARBURETOR ASS'Y (F8A Model)	1 U.R.	23	97803-04016	. SCREW	4
2	668-14384-00	. GASKET, float chamber	1	24	92903-04100	. WASHER	4
3	668-14381-00	. BODY, float chamber	1	25	668-14355-00	. CAP	1
4	647-14386-00	. PIN, float	1	26	668-14368-00	. DIAPHRAGM	1
5	668-14342-21	. JET, pilot (#42) (F9.9A Model)	1 U.R.	27	668-14373-00	. COVER, plunger cap	1
	668-14342-20	. JET, pilot (#40) (F8A Model)	1 U.R.	28	668-14374-00	. CAP, plunger	1
6	654-14198-00	. GASKET	1	29	14T-14367-00	. STOPPER	1
7	668-14345-00	. PLUG	1	30	33A-14369-00	. DIAPHRAGM	1
8	648-14343-47	. JET, main (#94) (F9.9A Model)	1 U.R.	31	668-14371-00	. PLUNGER, starter	1
	648-14343-46	. JET, main (#92) (F8A Model)	1 U.R.	32	668-14318-27	. PIPE, starter	1
9	668-14341-00	. NOZZLE, main (F9.9A Model)	1 U.R.	33	6A4-14344-31	. JET, starter	1
	6J6-14341-00	. NOZZLE, main (F8A Model)	1 U.R.	34	668-14272-00	. VALVE, check	1
10	654-14216-00	. SCREW	1	35	1J2-14397-00	. O-RING	2
11	647-14334-00	. SPRING	1	36	5H0-14397-00	. O-RING	1
12	668-14997-00	. SEAL	1	37	668-14313-00	. VALVE, air	1
13	668-14323-00	. SCREW, air adjusting	1	38	668-14377-00	. STOPPER	1
14	668-14392-00	. VALVE, needle	1	39	5Y1-14397-00	. O-RING	1
15	668-14385-00	. FLOAT ASS'Y	1	40	668-14383-00	. SCREW, drain	1
16	668-14197-00	. PIPE	2	41	44J-14349-00	. PIPE	1
17	668-14346-00	. PLATE	1	42	90116-06M26	. BOLT, stud	2
18	97803-06020	. SCREW	2	43	668-14271-00	. INSULATOR	1
19	92903-06100	. WASHER	2	44	14T-14396-00	. PIPE	1
20	97803-04007	. SCREW	3	45	650-14222-01	. SCREW, drain	1
21	648-14321-00	. SCREW, throttle	1	46	650-14227-01	. GASKET	1



FWD

Fig.11, Ref.No.1

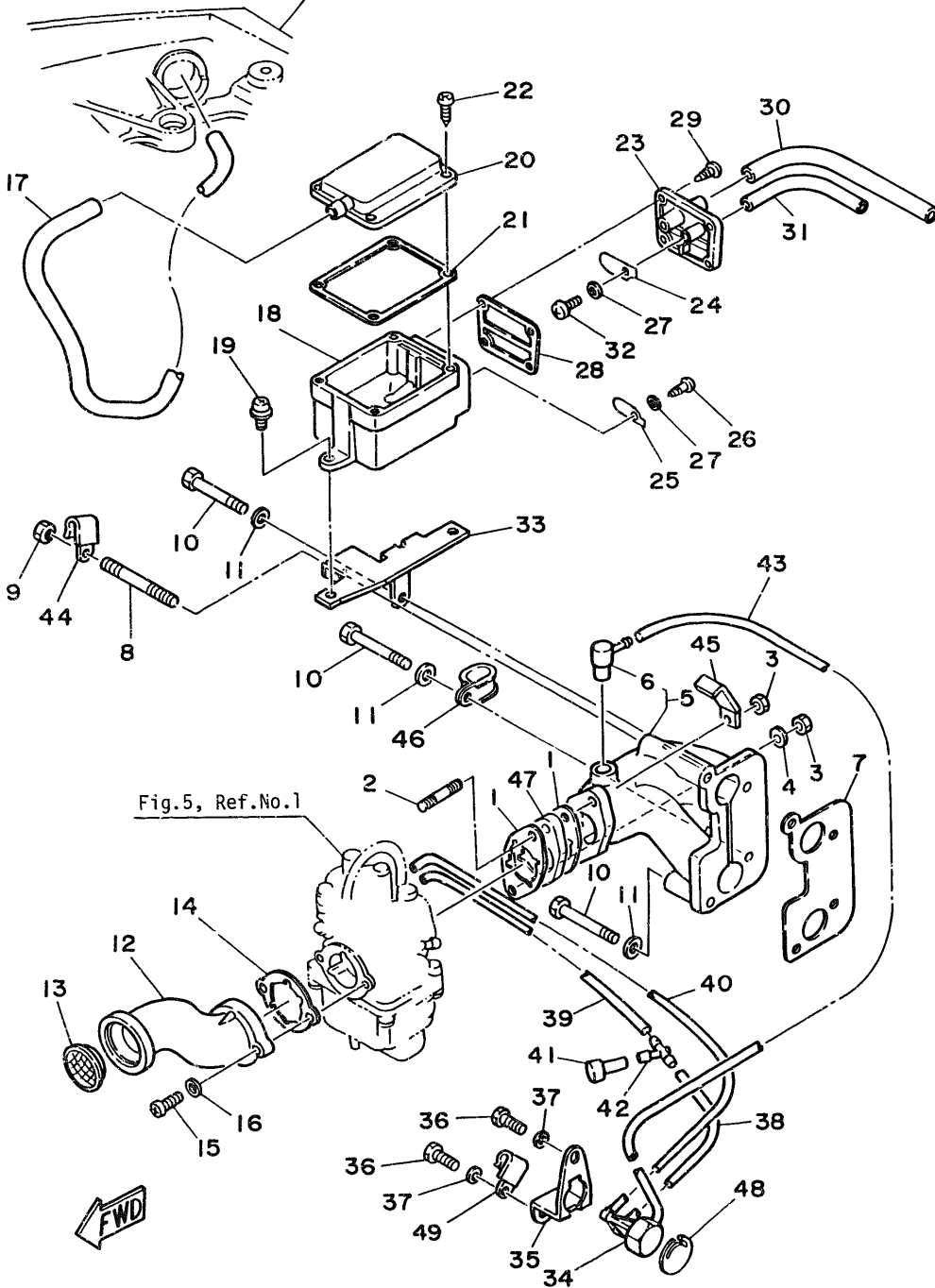


Fig. 6 INTAKE

Ref.No.	Parts No.	Description	Q'ty	Ref.No.	Parts No.	Description	Q'ty
1	6G8-13646-00	GASKET, intake manifold 2	2	26	97780-40512	SCREW, tapping	1
2	90116-06M26	BOLT, stud	2	27	92990-04200	WASHER	2
3	95303-06700	NUT	2	28	6G8-15374-00	GASKET, breather	1
4	92903-06600	WASHER	1	29	97780-40512	SCREW, tapping	4
5	6G8-13641-00-94	MANIFOLD, intake	1	30	90445-11M52	HOSE	1
6	6G8-11370-00	CHECK VALVE ASS'Y	1	31	90445-09065	HOSE	1
7	6G8-13645-00	GASKET, intake manifold 1	1	32	98502-04010	SCREW, panhead	1
8	90116-06M15	BOLT, stud	1	33	6G8-15376-00	HOLDER	1
9	95380-06700	NUT	1	34	6G8-14399-00	VALVE, bimetal vacuum switch	1
10	97313-06045	BOLT	3	35	6G8-11395-00	HOLDER	1
11	92903-06600	WASHER	3	36	97313-06012	BOLT	2
12	6G8-14479-01-94	FUNNEL	1	37	92903-06600	WASHER	2
13	6G8-14478-00	LOUVER	1	38	90445-08MF5	HOSE	1
14	6G8-14198-00	GASKET	1	39	90445-08MF4	HOSE	1
15	98503-05016	SCREW, panhead	2	40	90445-08MF7	HOSE	1
16	92903-05600	WASHER	2	41	6G8-14309-00	JET COMP.	1
17	6G8-15393-00	HOSE	1	42	6E0-24378-00	PIPE, joint	1
18	6G8-15358-00	SEPARATOR OIL 1	1	43	90445-08MF6	HOSE	1
19	90159-06M05	SCREW, with washer	2	44	90465-08M07	CLAMP	1
20	6G8-15368-00-94	SEPARATOR OIL 2	1	45	90465-08M23	CLAMP	1
21	6G8-15369-00	GASKET	1	46	90461-06M00	CLAMP	1
22	97780-40512	SCREW, tapping	4	47	6G8-13647-00	MANIFOLD, intake 3	1
23	6G8-15371-00-94	BREATHER	1	48	6G8-11326-00	SEAT	1
24	6G8-15346-00	BREATHER 1	1	49	90465-08M07	CLAMP	1
25	6G8-15347-00	BREATHER 2	1				

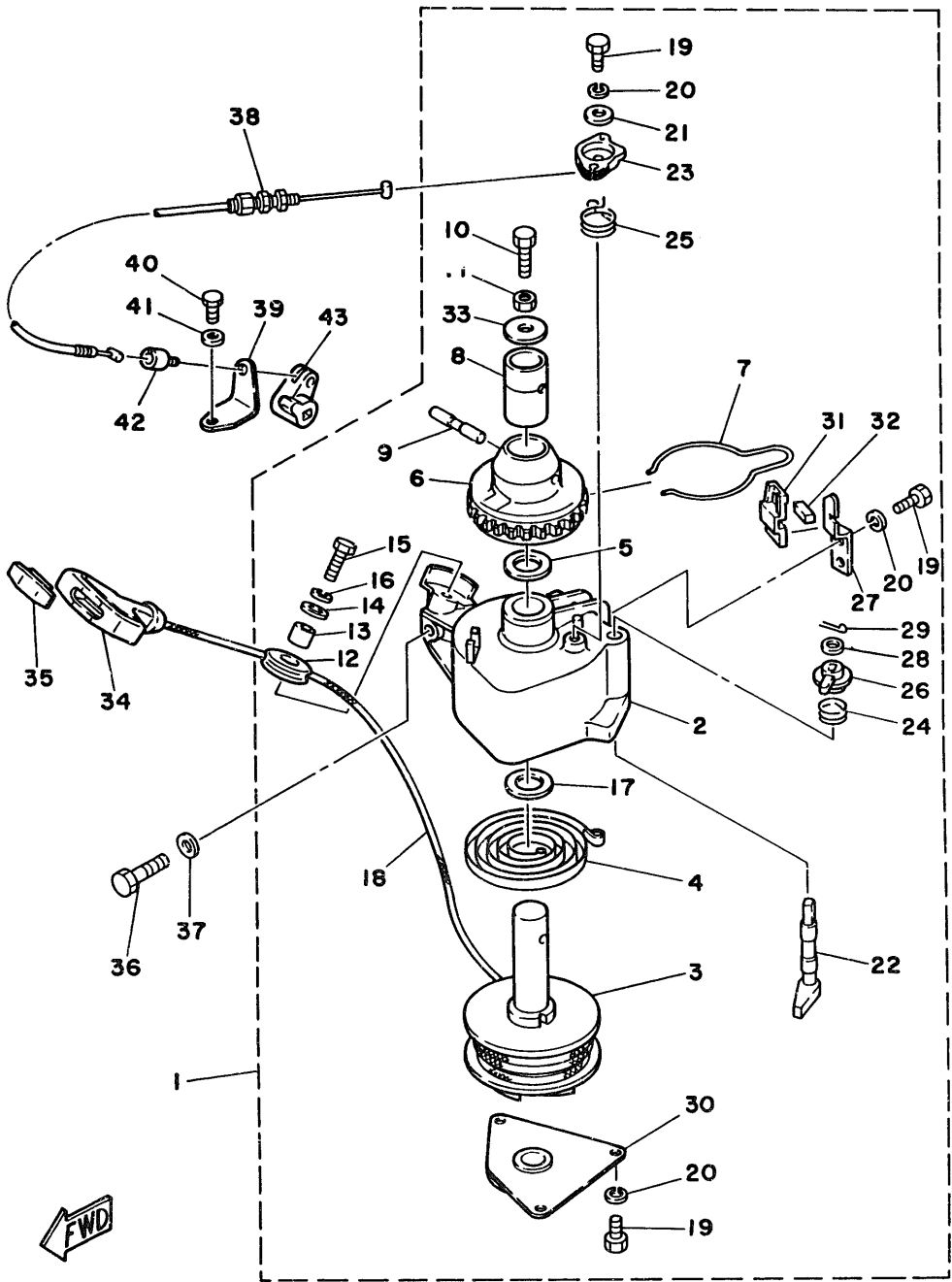


Fig. 7 STARTER

Ref.No.	Parts No.	Description	Q'ty	Ref.No.	Parts No.	Description	Q'ty
1	6G8-15710-10	STARTER ASS'Y	1	23	6G8-15746-00	. ARM	1
2	6G8-15711-00	. CASE, starter	1	24	6G8-15767-00	. SPRING	1
3	6G8-15714-00	. DRUM, sheave	1	25	6G8-15734-00	. SPRING, return 1	1
4	6G8-15713-00	. SPRING, starter	1	26	6G8-15747-00	. LINK	1
5	6G8-15719-00	. WASHER, thrust 1	1	27	6G8-15716-00	. DRIVE, plate	1
6	6G8-15723-00	. PULLEY, starter	1	28	92902-06200	. WASHER	1
7	6G8-15715-00	. SPRING, drive plate	1	29	91490-12012	. PIN, cotter	1
8	6G8-15754-00	. BUSHING 2	1	30	6G8-15712-00	. COVER, starter case	1
9	6G8-15727-00	. PIN 1	1	31	6G8-15779-00	. COVER	1
10	6G8-15768-00	. BOLT	1	32	6G8-15789-00	. DAMPER	1
11	95333-08700	. NUT	1	33	6G8-15742-00	. WASHER	1
12	6F5-15752-00	. ROLLAR, wire	1	34	6G1-15755-00	HANDLE, starter	1
13	663-15753-00	. BUSHING 1	1	35	689-15779-01	COVER	1
14	663-15791-00	. WASHER, lock	1	36	97313-08030	BOLT	3
15	97305-06025	. BOLT	1	37	92903-08600	WASHER	3
16	92903-06100	. WASHER	1	38	6G8-15770-00	WIRE COMP., starter stop	1
17	6G8-15739-00	. WASHER, thrust 2	1	39	6G8-15771-00	STAY 1	1
18	*	. WIRE (L=1850)	1	40	97313-06012	BOLT	1
19	97322-05012	. BOLT	6	41	92903-06600	WASHER	1
20	92902-05100	. WASHER	6	42	6G8-15772-00	STAY 2	1
21	6G8-15726-00	. WASHER, flat 1	1	43	6G8-44125-00	LEVER, shift rod	1
22	6G8-15794-00	. STOPPER	1				

*Cut from 50m rolls, parts No. 90890-44373, cutting length 1.85m.

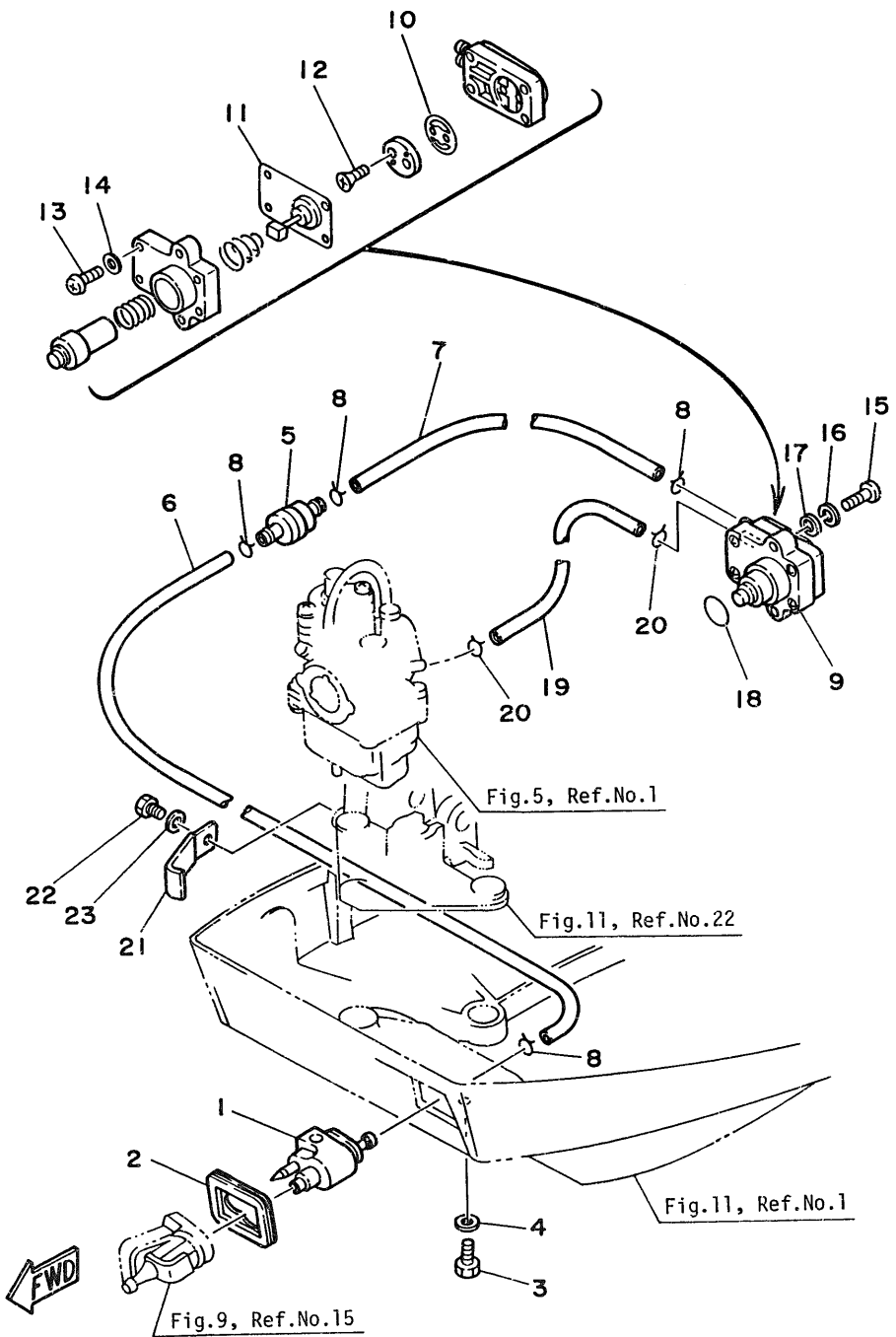


Fig. 8 FUEL 1

Ref.No.	Parts No.	Description	Q'ty	Ref.No.	Parts No.	Description	Q'ty
1	661-24304-01	FUEL PIPE JOINT COMP. 1	1	13	98503-04014	. SCREW, panhead	4
2	668-24329-00	SEAL	1	14	92903-04600	. WASHER	4
3	97395-06020	BOLT	1	15	92503-06025	SCREW, panhead	2
4	92990-06600	WASHER	1	16	92903-06100	WASHER	2
5	646-24251-01	STRAINER	1	17	92903-06600	WASHER	2
6	668-24311-00	PIPE, fuel 1	1	18	93210-20M65	O-RING	1
7	90445-09065	HOSE	1	19	90445-09M75	HOSE	1
8	90467-08004	CLIP	4	20	90467-08004	CLIP	2
9	668-24410-00	FUEL PUMP ASS'Y	1	21	90465-08M26	CLAMP	1
10	668-24421-00	. VALVE, check	1	22	973'3-06010	BOLT	1
11	668-24411-00	. DIAPHRAGM	1	23	92903-06600	WASHER	1
12	98701-03008	. SCREW, flathead	2				

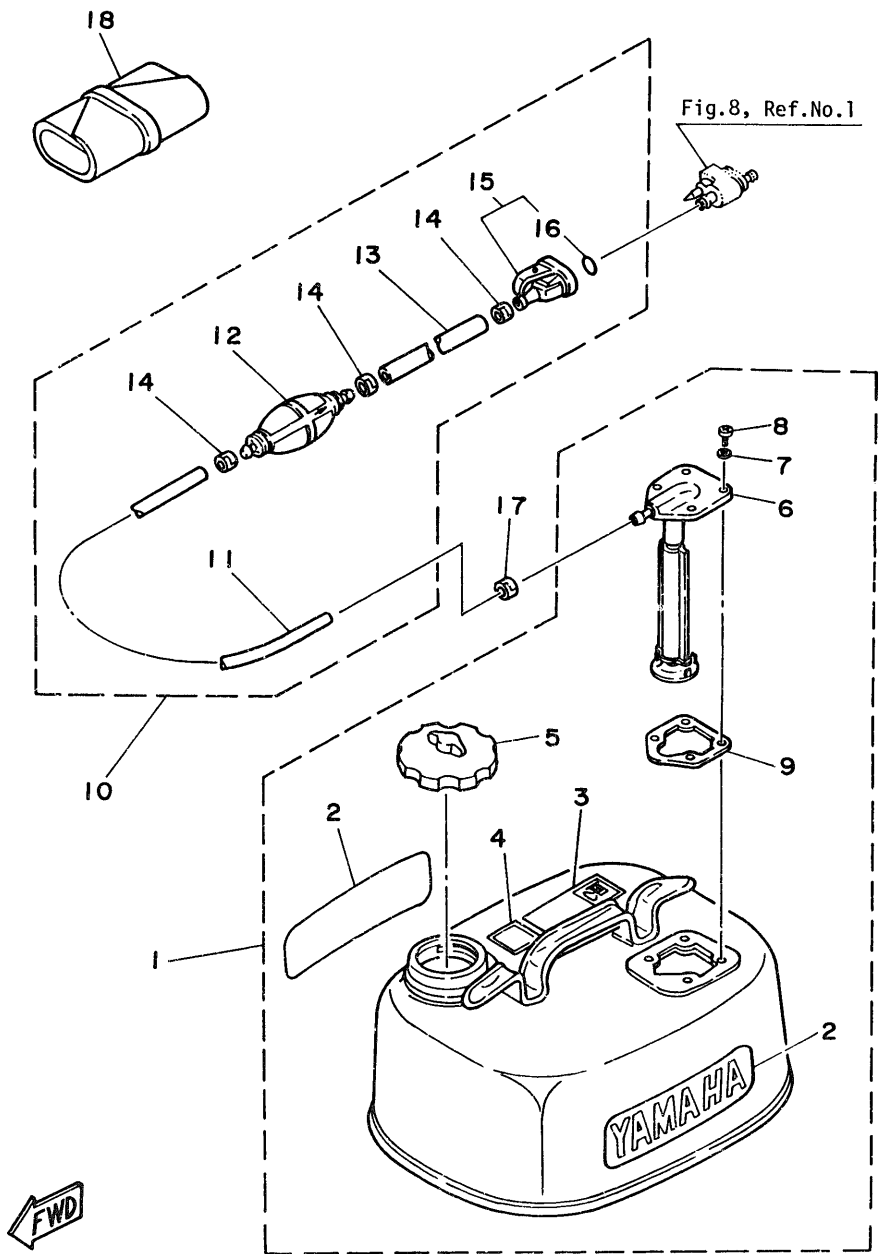


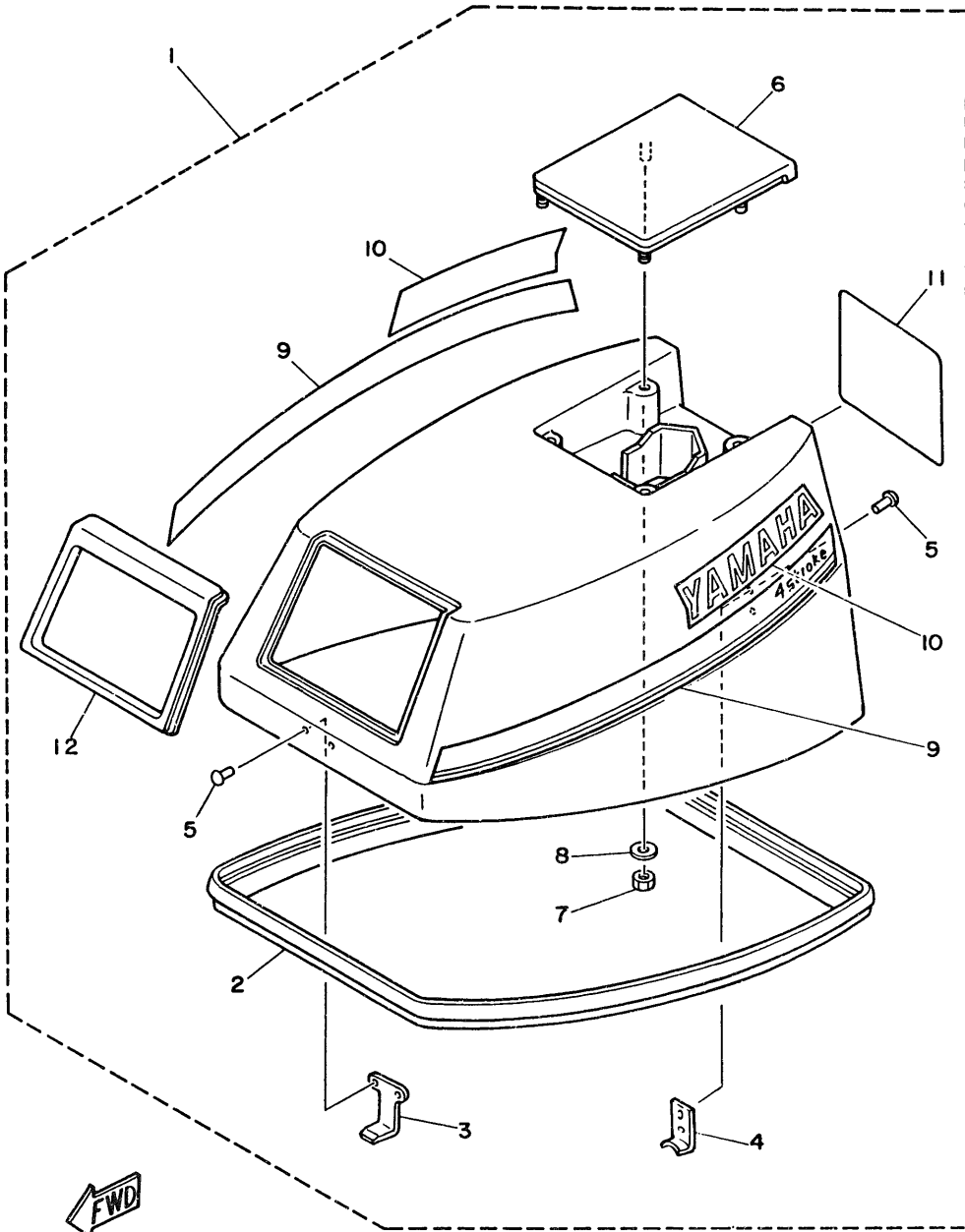
Fig. 9 FUEL 2

Ref.No.	Parts No.	Description	Q'ty	Ref.No.	Parts No.	Description	Q'ty
1	6Y0-24207-81-24	FUEL TANK ASS'Y	1	10	6Y0-24306-04	FUEL PIPE ASS'Y	1
2	6Y1-24246-00	. GRAPHIC, side	2	*11	90445-11M79	. HOSE (L=1500)	1
3	6Y1-24256-80	. GRAPHIC	1	12	6Y1-24360-02	. PRIMARY PUMP ASS'Y	1
4	6Y1-24257-00	. GRAPHIC	1	*13	90445-11M05	. HOSE (L=950)	1
5	647-24610-03	. CAP ASS'Y	1	14	650-24351-01	. BAND, fuel pipe 1	3
6	6Y0-24275-60	. FUEL METER ASS'Y	1	15	661-24305-00	. FUEL PIPE JOINT COMP. 2	1
7	630-24329-00	. SEAL	4	16	93210-08287	. O-RING	1
8	98586-05016	. SCREW, panhead	4	17	650-24351-01	BAND, fuel pipe 1	1
9	6Y1-24268-00	. GASKET, fuel meter housing	1	18	668-28100-01	TOOL ASS'Y	1

*Also available in 30m rolls (Parts No. 90890-56878)

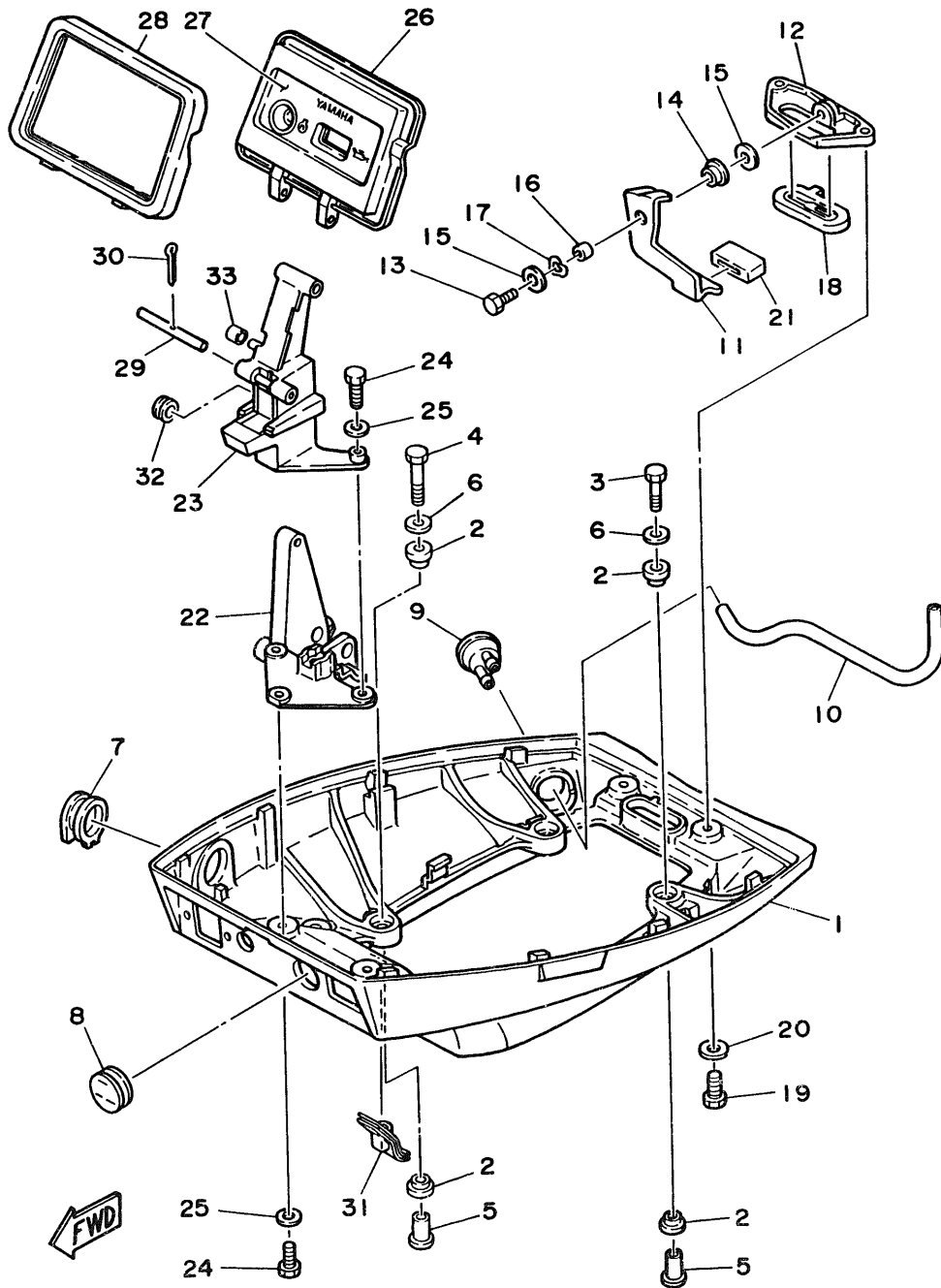
Fig. 10 TOP COWLING

Ref.No.	Parts No.	Description	Q'ty	Ref.No.	Parts No.	Description	Q'ty
1	6G8-42610-01-EL	TOP COWLING ASS'Y (F9.9A Model)	1 U.R.	7	95303-06700	. NUT	4
	6J6-42610-01-EL	TOP COWLING ASS'Y (F8A Model)	1 U.R.	8	92903-06200	. WASHER	4
2	6G8-42615-00	. SEAL	1	9	6G8-W0070-00	. GRAPHIC SIDE SET	1
3	6G8-42651-00	. HOOK 1	1	10	6G8-42681-00	. MARK, cowling	2
4	6G8-42652-00	. HOOK 2	1	11	6G8-42678-00	. GRAPHIC, rear (F9.9A Model)	1 U.R.
5	90266-04004	. RIVET	4		6J6-42678-00	. GRAPHIC, rear (F8A Model)	1 U.R.
6	6G8-42613-00-EL	. MOLDING, air duct	1	12	6G8-42628-01	. SEAL	1



B5

Fig. 11 BOTTOM COWLING



Ref.No.	Parts No.	Description	Q'ty	Ref.No.	Parts No.	Description	Q'ty
1	6G8-42711-00-EL	COWLING, bottom	1	18	6G8-42748-00	GROMMET	1
2	90480-09M35	GROMMET	8	19	97395-06016	BOLT	2
3	97313-06030	BOLT	2	20	92990-06600	WASHER	2
4	97313-06040	BOLT	2	21	6G8-42831-00	BUSHING, lever	1
5	90387-06M58	COLLAR	4	22	6G8-42738-00-94	PLATE, fitting	1
6	90201-06M31	WASHER	4	23	6G8-42719-00-EL	PANEL, front lower	1
7	6G8-42724-00	GROMMET 1	1	24	97395-06016	BOLT	4
8	6G8-42725-10	GROMMET 1	1	25	92990-06600	WASHER	4
9	6G8-44391-00	NIPPLE, hose	1	26	6G8-42614-01	PANEL, front upper	1
10	6G8-12482-00	HOSE	1	27	6G8-42677-00	GRAPHIC, front	1
11	6G8-42815-00	LEVER, clamp	1	28	6G8-42629-01	SEAL	1
12	6G8-42811-00-94	STAY, clamp	1	29	6G8-42755-00	HINGE, cowling	1
13	97313-06016	BOLT	1	30	91490-16010	PIN, cotter	1
14	90386-08M49	BUSHING	1	31	6G8-42727-00	GROMMET 4	1
15	90201-06M31	WASHER	2	32	90480-19031	GROMMET	1
16	90387-06M72	COLLAR	1	33	90445-05ME6	HOSE	1
17	90206-08M13	WASHER, wave	1				

B6

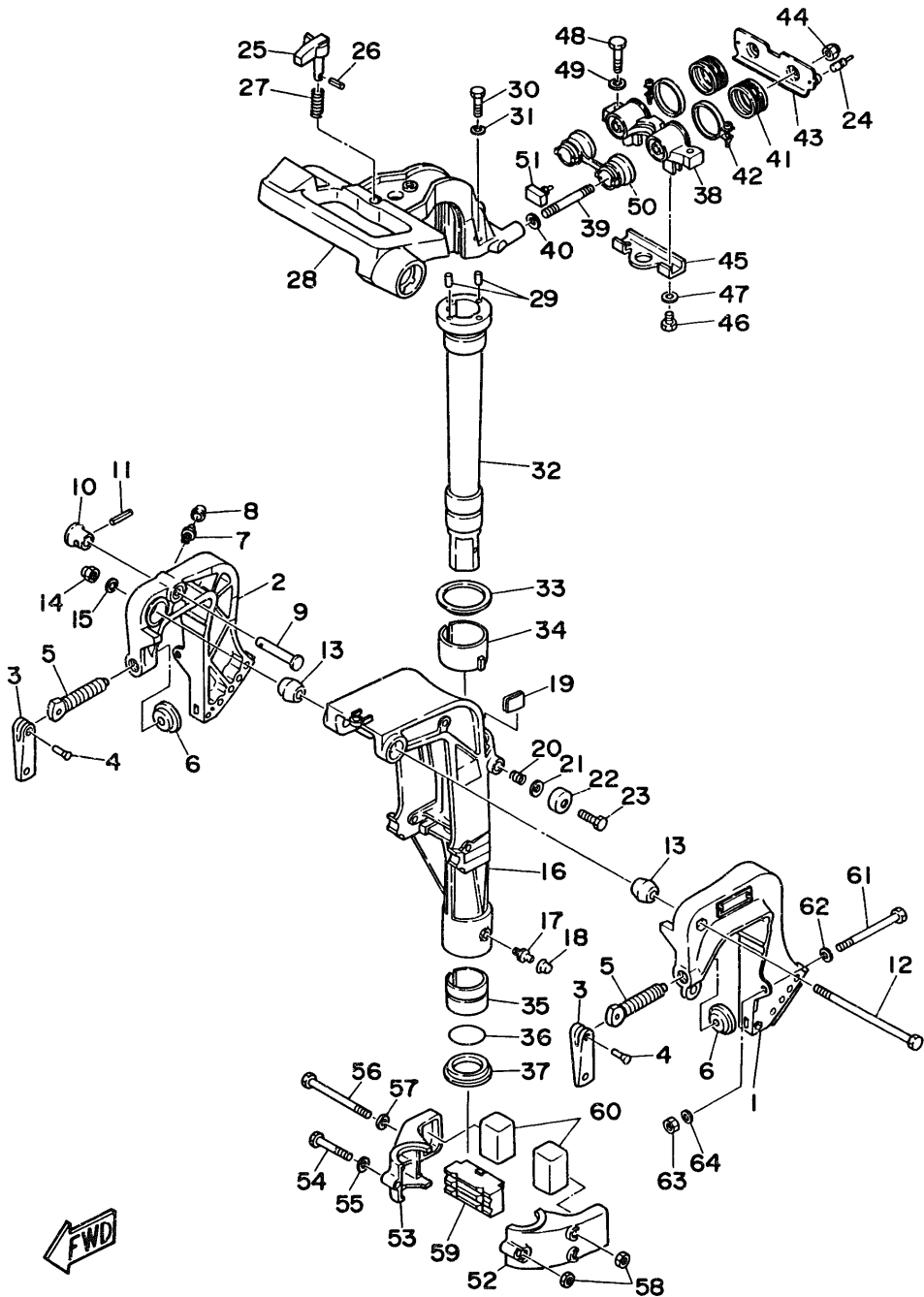


Fig. 12 BRACKET 1

Ref.No.	Parts No.	Description	Q'ty	Ref.No.	Parts No.	Description	Q'ty
1	668-43111-00-EL	BRACKET, clamp 1	1	33	90209-45M09	WASHER	1
2	668-43112-01-EL	BRACKET, clamp 2	1	34	668-42537-00	BUSHING, pivot shaft	1
3	616-43118-00-EL	HANDLE, transom clamp	2	35	90386-37M47	BUSHING	1
4	90243-04001	PIN	2	36	93210-37M67	O-RING	1
5	90149-14030	SCREW	2	37	90386-37M48	BUSHING	1
6	648-43114-01	PAD, transom clamp	2	38	668-44517-00-94	MOUNT RUBBER, upper	1
7	93700-06004	NIPPLE, grease	1	39	90116-08M28	BOLT, stud	2
8	663-45119-00	CAP, grease nipple	1	40	90201-08M12	WASHER, plate	2
9	689-43191-00	SHAFT, stopper	1	41	668-44522-00	SEAL, rubber 2	2
10	689-43192-01	KNOB, stopper	1	42	90460-38M06	CLAMP, hose	2
11	91690-30016	PIN, spring	1	43	668-44518-00	BRACKET	1
12	90105-08M03	BOLT	1	44	90185-08057	NUT, self-locking	2
13	661-43136-00	PIECE, friction	2	45	668-44526-00	PLATE	1
14	90185-08057	NUT, self-locking	1	46	97395-06012	BOLT	2
15	92990-08100	WASHER	1	47	92990-06600	WASHER	2
16	668-43311-12-EL	BRACKET, swivel	1	48	97395-08030	BOLT	2
17	93700-06004	NIPPLE, grease	1	49	92990-08600	WASHER	2
18	663-45119-00	CAP, grease nipple	1	50	668-44521-00	SEAL, rubber	1
19	668-42528-00	PIECE, friction	1	51	668-44532-00	STOPPER	1
20	90501-18M00	SPRING, compression	1	52	668-44551-01-EL	HOUSING, lower mount 1	1
21	90201-06M31	WASHER	1	53	668-44552-01-EL	HOUSING, lower mount 2	1
22	668-43373-00	SEAL, rubber	1	54	97395-06045	BOLT	1
23	97395-06025	BOLT	1	55	92990-06600	WASHER	1
24	668-44533-00	DAMPER, upper mount rubber	2	56	97395-06095	BOLT	2
25	668-42561-00	KNOB, steering lock	1	57	92990-06600	WASHER	2
26	91690-30012	PIN, spring	1	58	95380-06700	NUT	3
27	90501-10071	SPRING, compression	1	59	668-44557-00	MOUNT RUBBER, lower front	1
28	668-42511-01-EL	BRACKET, steering	1	60	682-44555-00	MOUNT RUBBER, lower side	2
29	93605-15065	PIN, dowel B	2	61	90101-08M88	BOLT	2
30	97315-06030	BOLT	2	62	92990-08600	WASHER	2
31	92990-06600	WASHER	2	63	90185-08057	NUT	2
32	668-42521-10-94	SHAFT, steering pivot	1	64	90201-08M44	WASHER	2

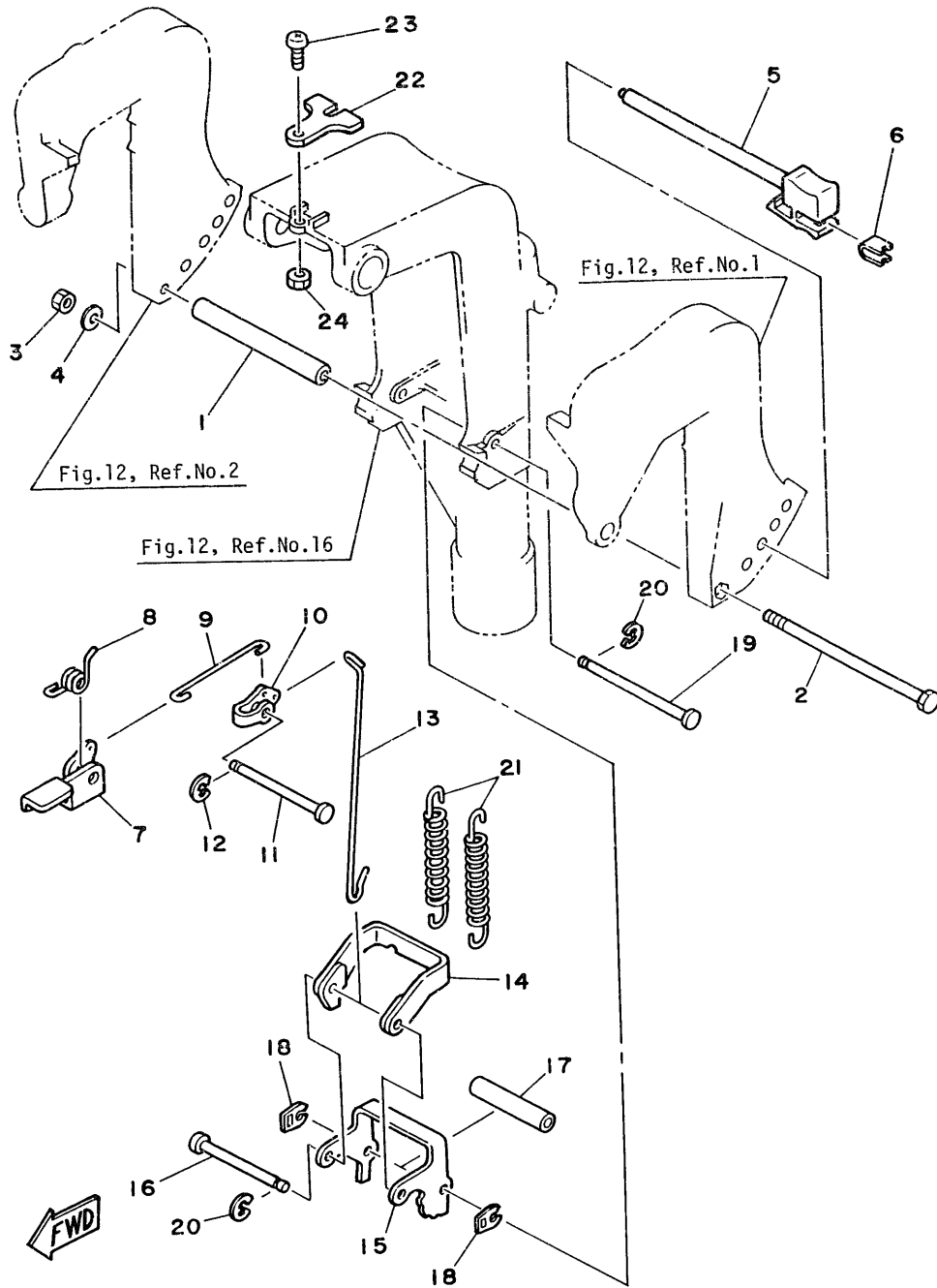


Fig. 13 BRACKET 2

Ref.No.	Parts No.	Description	Q'ty	Ref.No.	Parts No.	Description	Q'ty
1	90387-06M57	COLLAR	1	13	668-43617-00	ROD, tilt lock 1	1
2	97395-06135	BOLT	1	14	682-43614-00	PLATE, tilt lock 1	1
3	95380-06700	NUT	1	15	682-43615-01	PLATE, tilt lock 2	1
4	92990-06600	WASHER	1	16	682-43611-00	SHAFT, tilt lock	1
5	668-43160-00	TILT ROD ASS'Y	1	17	90387-06M10	COLLAR	1
6	668-43162-00	SPRING, tilt lock lever	1	18	682-43673-00	WASHER 1	2
7	668-43631-00	LEVER, tilt	1	19	682-43659-00	SHAFT, reverse lock	1
8	90508-12M18	SPRING, torsion	1	20	93430-05027	CIRCLIP	2
9	682-43616-00	ROD, tilt lock 1	1	21	90506-29M16	SPRING, tension	2
10	682-43641-00	LEVER, tilt 2	1	22	668-43319-00	PLATE	1
11	90249-06M16	PIN	1	23	92580-06020	SCREW	1
12	93430-05027	CIRCLIP	1	24	95780-06300	NUT	1

C1

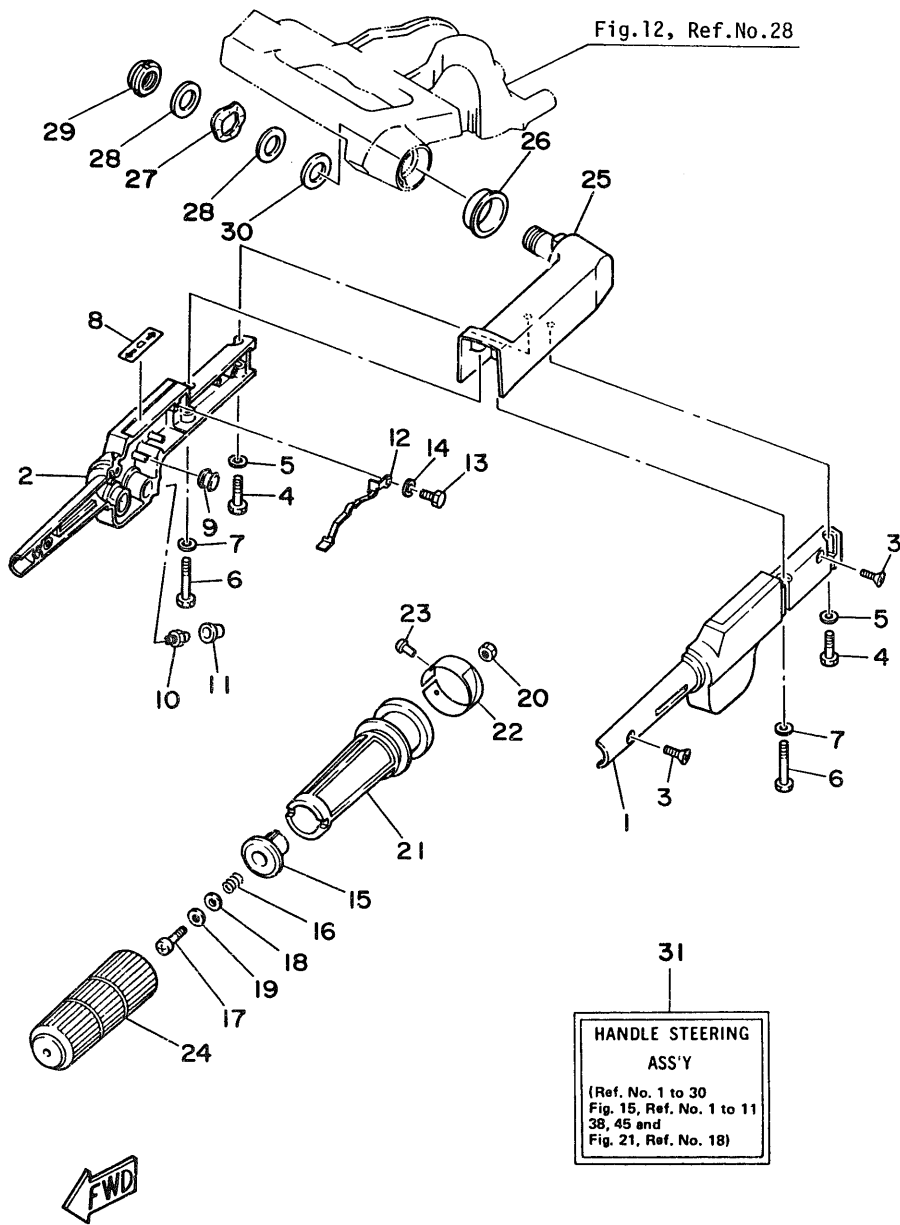


Fig. 14 STEERING

Ref.No.	Parts No.	Description	Q'ty	Ref.No.	Parts No.	Description	Q'ty
1	6G8-42111-00-EL	HANDLE, steering 1	1	18	90201-06049	WASHER	1
2	6G8-42112-01-EL	HANDLE, steering 2	1	19	90202-06007	WASHER	1
3	98780-05016	SCREW	2	20	95380-06700	NUT	1
4	97395-06025	BOLT	2	21	6G8-42119-00	GRIP, steering handle	1
5	92990-06600	WASHER	2	22	6G8-42137-01	INDICATOR, throttle (F9.9A Model)	1 U.R.
6	97395-06040	BOLT	2		6J6-42137-00	INDICATOR, throttle (F8A Model)	1 U.R.
7	92990-06600	WASHER	2	23	90269-02001	RIVET	1
8	6G8-44191-00	INDICATOR, shift	1	24	6G8-42177-00	RUBBER, handle	1
9	6H4-42725-00	GROMMET 2	1	25	6G8-42113-01-EL	HANDLE, steering 3	1
10	93700-06004	NIPPLE, grease	1	26	90386-33M56	BUSHING	1
11	663-45119-00	CAP, grease nipple	1	27	90206-20M14	WASHER, wave	1
12	6G8-42147-01	SPRING	1	28	90201-20M00	WASHER	2
13	97395-05012	BOLT	2	29	90185-20M03	NUT	1
14	92990-05600	WASHER	2	30	90202-20M33	WASHER	1
15	6G8-42126-00-94	FRICITION, steering handle grip	1	31	6G8-W0084-81-EL	HANDLE STEERING ASS'Y (F9.9A Model)	1 U.R.
16	90501-23M42	SPRING, compression	1		6J6-W0084-81-EL	HANDLE STEERING ASS'Y (F8A Model)	1 U.R.
17	97890-06030	SCREW	1				

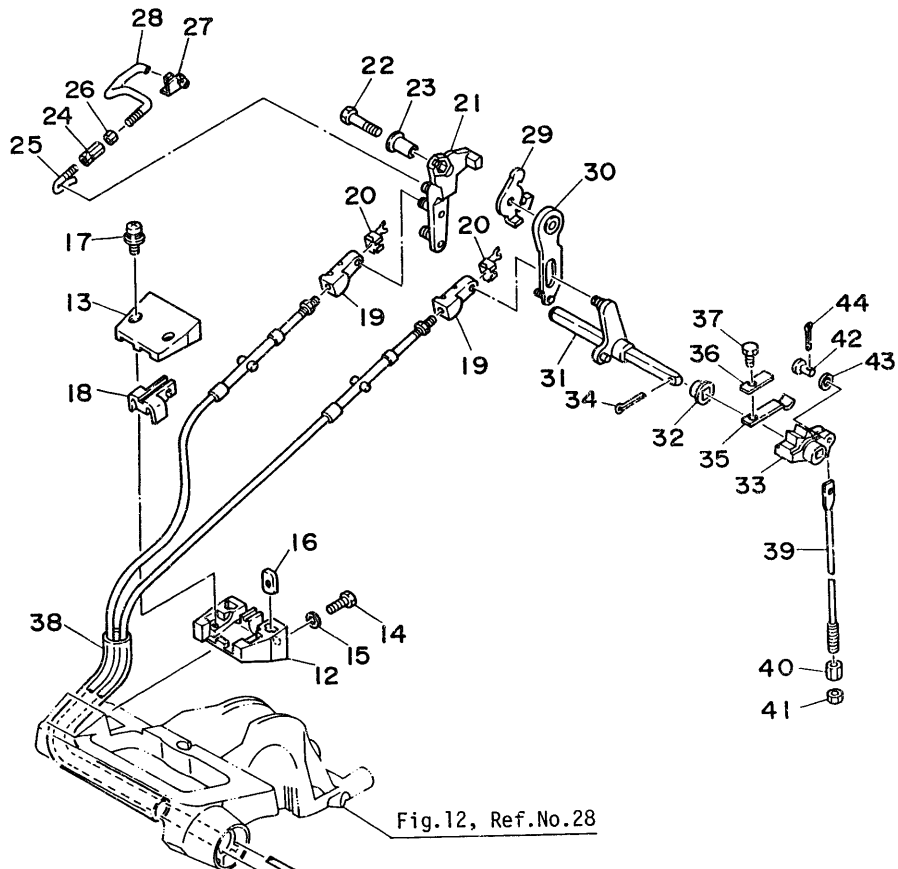


Fig. 12, Ref.No.28

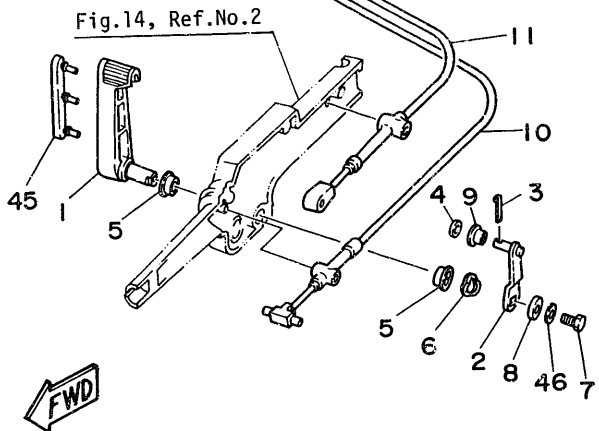


Fig. 14, Ref.No.2

Fig. 15 CONTROL

Ref.No.	Parts No.	Description	Q'ty	Ref.No.	Parts No.	Description	Q'ty
1	668-44121-00	LEVER, shift rod	1	22	97313-06030	BOLT	1
2	668-44123-00	ARM, shift rod	1	23	90387-06M58	COLLAR	1
3	91490-16010	PIN, cotter	1	24	668-41238-01	JOINT, link	1
4	92990-05200	WASHER	1	25	668-41241-01	ROD 1	1
5	90386-12069	BUSHING	2	26	95380-04600	NUT	1
6	90206-12052	WASHER, wave	1	27	668-41237-00	JOINT, link 2	1
7	97313-06016	BOLT	1	28	668-41242-01	ROD 2	1
8	90201-06M94	WASHER	1	29	668-14493-00	STAY (F9.9A Model)	1 U.R.
9	90386-05M54	BUSHING	1	6J6-14493-00	STAY (F8A Model)	1 U.R.	
10	668-48311-02	CABLE (F9.9A Model)	1 U.R.	30	668-44111-00	HANDLE, gear shift 1	1
6J6-48311-02	CABLE (F8A Model)	1 U.R.	31	668-44159-00	HANDLE, gear shift 2	1	
668-48311-11	CABLE (F9.9A Model) (For Handy Remote Control)	1 A.P.	32	682-44132-00	BUSHING	1	
6J6-48311-11	CABLE (F8A Model) (For Handy Remote Control)	1 A.P.	33	668-44141-00	LINK, shift rod	1	
11	668-48321-01	CABLE	1	34	91490-25020	PIN, cotter	1
668-48321-10	CABLE (For Handy Remote Control)	1 A.P.	35	682-44116-00	SPRING	1	
12	668-41661-00-98	BRACKET 1	1	36	682-44117-00	BRACKET 1	1
13	668-41662-00-98	BRACKET 2	1	37	97313-06012	BOLT	1
14	97395-06016	BOLT	2	38	90445-24M00	HOSE	1 U.R.
15	92990-06600	WASHER	2	90445-20M5	HOSE (For Handy Remote Control)	1 A.P.	
16	668-41654-00	NUT	2	39	668-44143-10	ROD, shift	1
17	90159-05M06	SCREW, with washer	2	40	90170-06015	NUT	1
18	668-41663-00	BRACKET 3	1	41	95380-06700	NUT	1
19	668-26363-00	END, wire 1	2	42	91790-05020	PIN	1
20	668-26364-00	END, wire 2	2	43	92990-05600	WASHER	1
21	668-41212-00	ARM, accel.	1	44	91490-16010	PIN, cotter	1
				45	668-42129-00	BUSHING, rubber	1
				46	92903-06600	WASHER	1

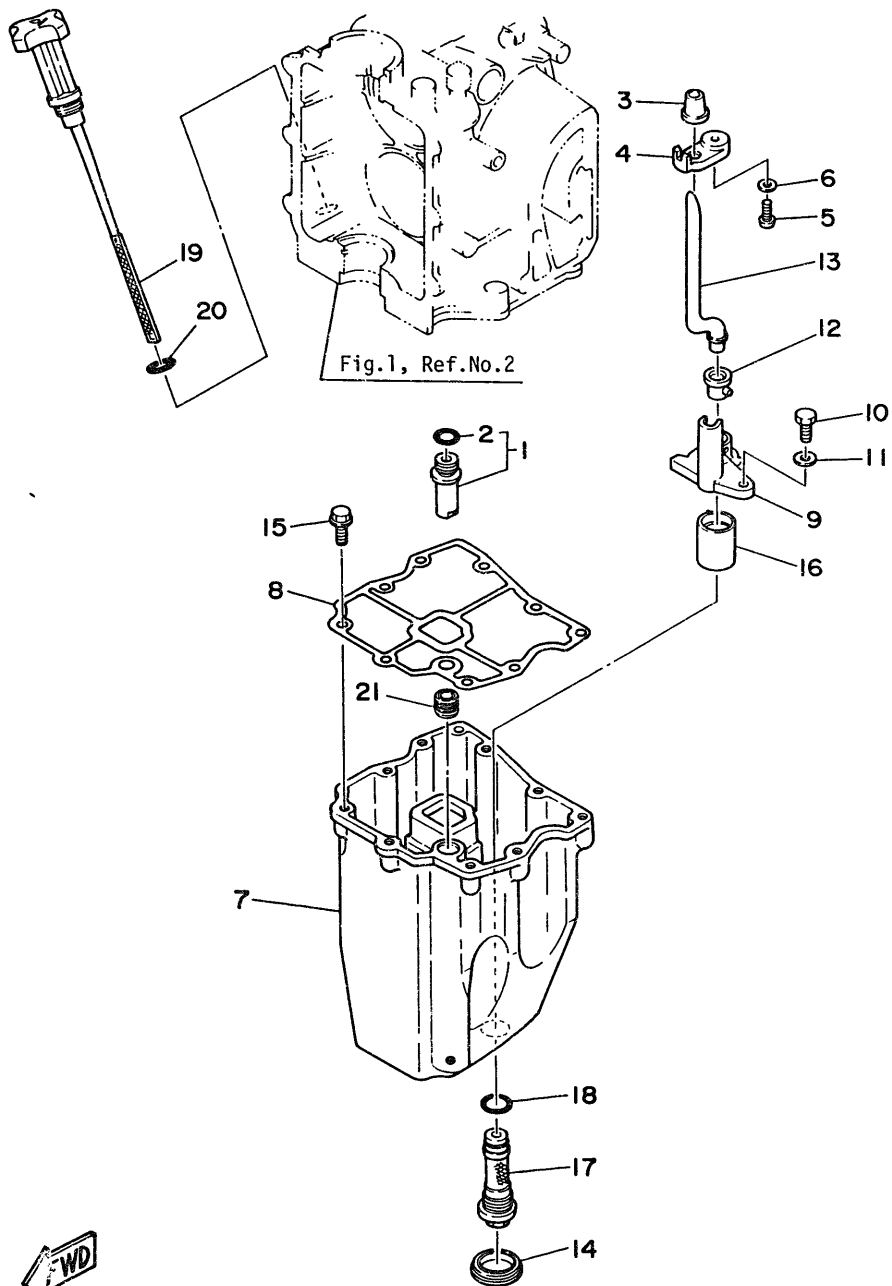


Fig. 16 OIL PAN

Ref.No.	Parts No.	Description	Q'ty	Ref.No.	Parts No.	Description	Q'ty
1	668-11575-00	RELIEF VALVE ASS'Y	1	12	668-15315-00	SEAL	1
2	93210-12M62	O-RING	1	13	668-15397-00	PIPE	1
3	668-15379-00	SEAL	1	14	668-15316-00	DAMPER 1	1
4	668-13487-00	GUIDE, oil hose	1	15	90105-06M33	BOLT	9
5	98502-05012	SCREW, panhead	1	16	668-13417-00	COVER, strainer	1
6	92902-05600	WASHER	1	17	668-13411-00	STRAINER, oil	1
7	668-15311-01-9M	PAN, oil	1	18	93210-16M64	O-RING	1
8	668-15312-01	GASKET, oil pan	1	19	668-15362-01	PLUG, oil level	1
9	668-13412-00	HOUSING, strainer	1	20	93210-13M63	O-RING	1
10	97312-06016	BOLT	1	21	668-45127-00	SEAL, rubber 1	1
11	92902-06600	WASHER	1				

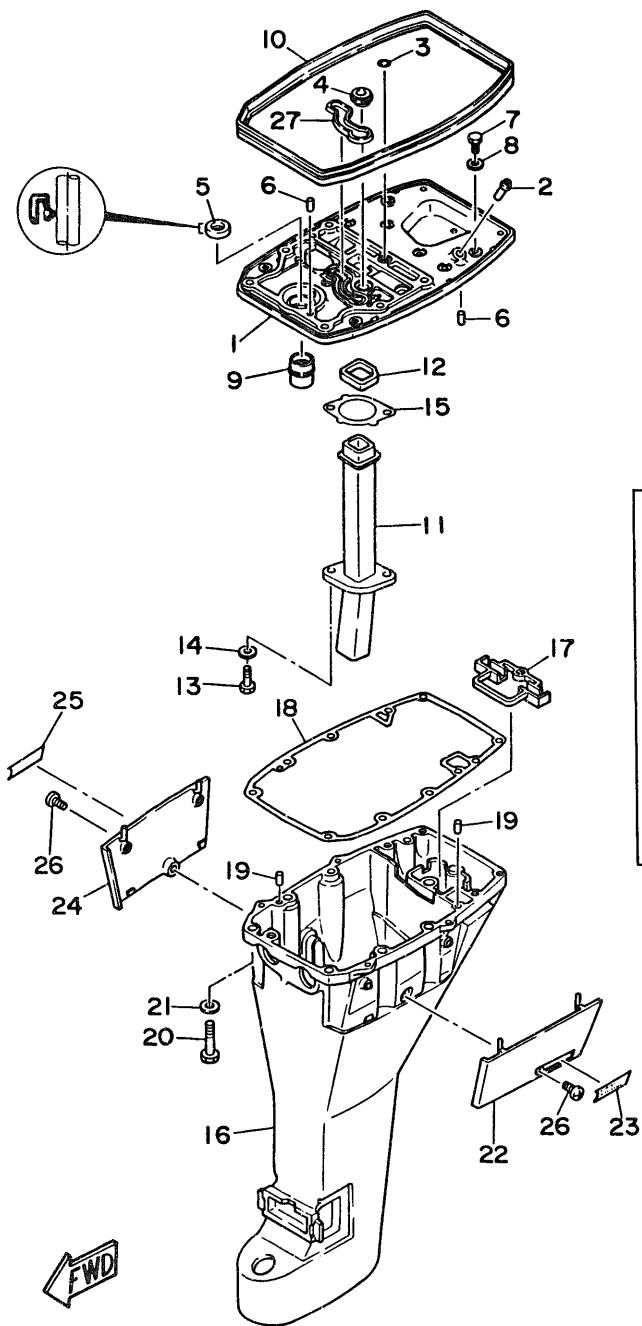
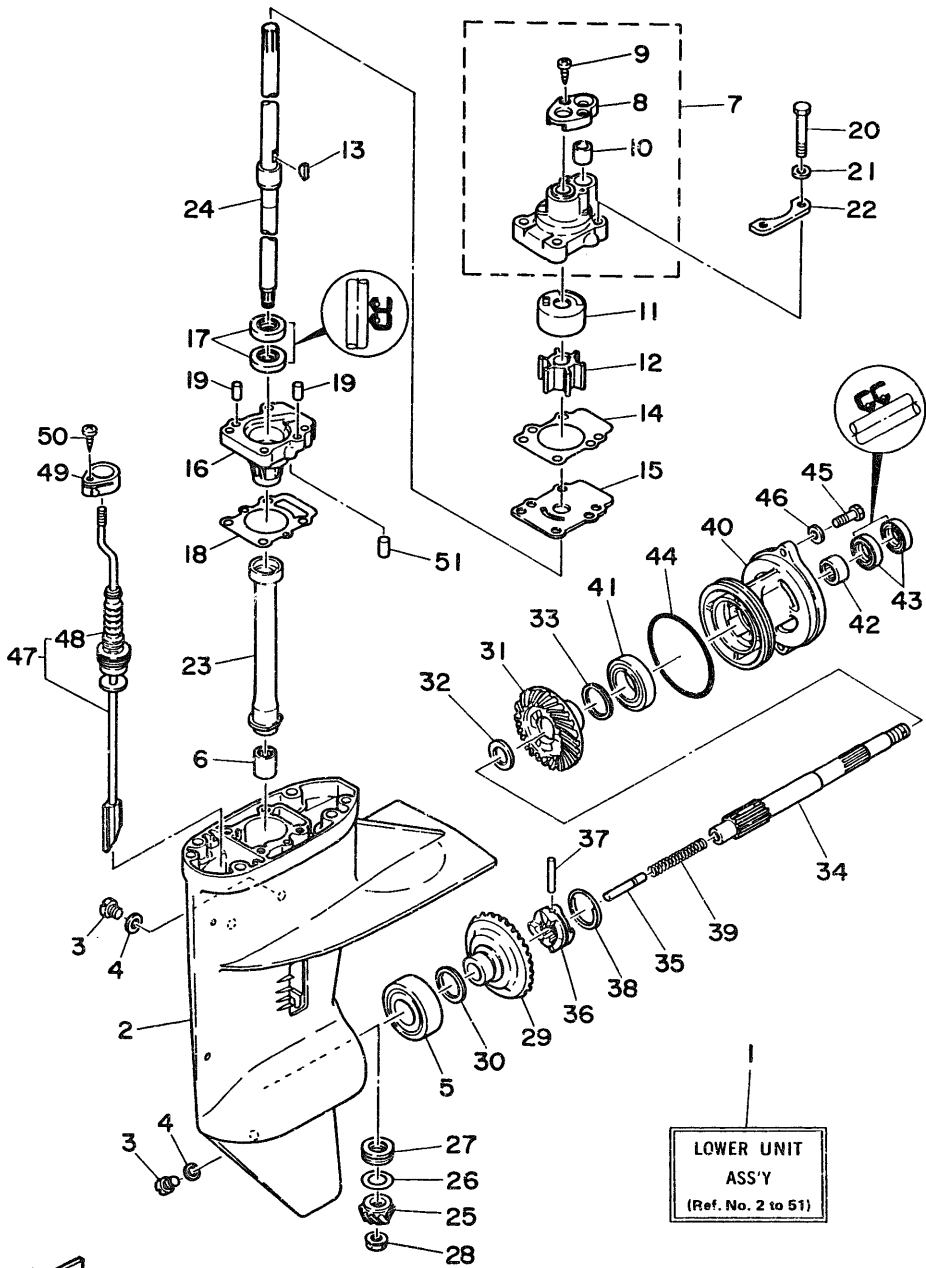


Fig. 17 UPPER CASING

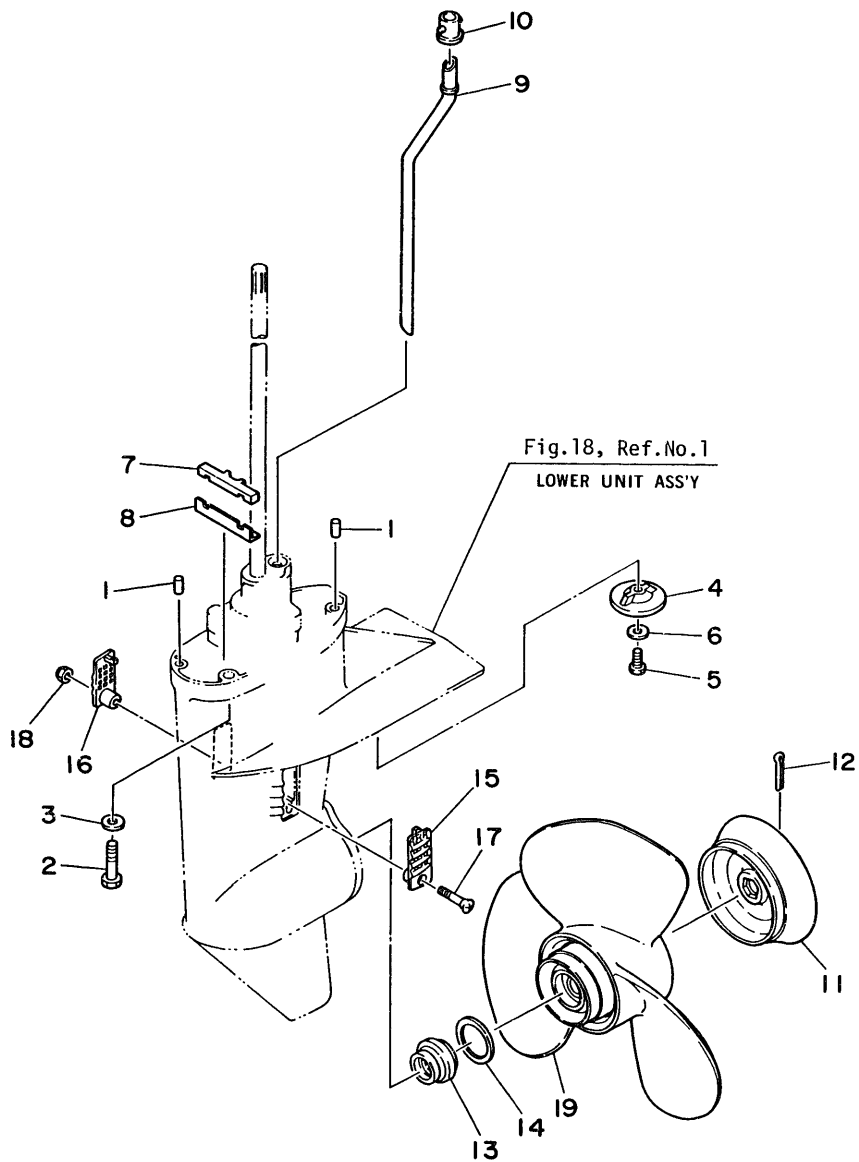
Ref.No.	Parts No.	Description	Q'ty	Ref.No.	Parts No.	Description	Q'ty
1	668-41137-01-94	GUIDE, exhaust	1	17	668-45151-00	COVER, upper casing	1
2	6E5-24377-00	PIPE, joint	1	18	668-45113-00	GASKET, upper casing	1
3	93210-08M60	O-RING	1	19	93606-12019	PIN, dowel B	2
4	668-44367-00	WATER SEAL	1	20	97395-08040	BOLT	6
5	93101-13M27	OIL SEAL	1	21	92990-08600	WASHER	6
6	93606-12019	PIN, dowel B	2	22	668-42741-00-EL	APRON 1	1
7	97313-06020	BOLT	2	23	668-42791-00	MARK 1	1
8	92903-06600	WASHER	2	24	668-42771-00-EL	APRON 2	1
9	668-45135-00	PIPE 1	1	25	668-42792-00	MARK 2	1
10	668-42716-00	SEAL	1	26	90157-06M04	SCREW	2
11	668-41131-00	MANIFOLD, exhaust 1	1	27	668-11355-00	SEAL, cylinder	1
12	668-41138-00	SEAL, exhaust 1	1	28	668-45211-20-EL	EXTENSION (Ultra Long)	1
13	97395-06016	BOLT	2	29	90116-08M19	BOLT, stud (Ultra Long)	4
14	92990-06600	WASHER	2	30	95380-08600	NUT (Ultra Long)	4
15	668-41133-00	GASKET, exhaust manifold	1	31	92990-08600	WASHER (Ultra Long)	4
16	668-45111-10-EL	CASING, upper	1	32	93606-12019	PIN, dowel B (Ultra Long)	2


Fig. 18 LOWER & DRIVE 1

Ref.No.	Parts No.	Description	Q'ty	Ref.No.	Parts No.	Description	Q'ty
1	6G8-45300-12-EL	LOWER UNIT ASS'Y (Long)	1 U.R.	27	93341-313U3	BEARING, thrust needle	1
	6G8-45300-22-EL	LOWER UNIT ASS'Y (Ultra Long)	1 U.R.	28	90179-08M06	NUT	1
2	6G8-45311-02-EL	CASING, lower	1	29	6G8-45560-00	GEAR 1 ASS'Y (38T)	1
3	90340-08014	PLUG, straight screw	3	30	626-45577-00-01	SHIM (0.1MM)	1 U.R.
4	90430-08020	GASKET	3		626-45577-00-03	SHIM (0.3MM)	1 U.R.
5	93332-00005	BEARING, taper roller	1		626-45577-00-05	SHIM (0.5MM)	1 U.R.
6	93315-213V4	BEARING, needle	1	31	6G8-45571-00	GEAR 2 (38T)	1
7	682-44300-01	HOUSING WATER PUMP ASS'Y	1	32	90201-17682	WASHER	1
8	682-44312-00	. COVER, water pump housing	1	33	626-45577-00-01	SHIM (0.1MM)	1 U.R.
9	97780-40112	. SCREW, panhead tapping	2		626-45577-00-03	SHIM (0.3MM)	1 U.R.
					626-45577-00-05	SHIM (0.5MM)	1 U.R.
10	682-44365-00	. WATER SEAL 1	1	34	6G8-45611-00	SHAFT, propeller	1
11	682-44322-00	INSERT, cartridge	1	35	650-45635-00	PLUNGER, shift	1
12	682-44352-01	IMPELLER	1	36	682-45631-00	CLUTCH, dog	1
13	90280-03024	KEY, woodruff	1	37	90250-05010	PIN, straight	1
14	682-44315-00	GASKET, water pump 2	2	38	648-45633-00	RING, cross pin	1
15	682-44323-00	OUTER PLATE, cartridge	1	39	90501-14M06	SPRING, compression	1
16	6G8-45331-00-9M	HOUSING, bearing	1	40	6G8-45361-00-EL	CAP, lower casing	1
17	93101-20048	OIL SEAL	2	41	93306-00501	BEARING, ball	1
18	6G8-45315-00	PACKING, lower casing	1	42	93315-317U2	BEARING, needle	1
19	93606-12019	PIN, dowel	2				
				43	93101-17054	OIL SEAL	2
20	97395-06045	BOLT	4	44	93210-74M68	O-RING	1
21	92990-06600	WASHER	4	45	97395-06020	BOLT	2
22	682-44328-00	PLATE	2	46	92990-06600	WASHER	2
23	6G8-45536-00	SLEEVE, drive shaft	1	47	6G8-44150-10	SHIFT CAM ASS'Y (Long)	1 U.R.
24	6G8-45501-10	DRIVE SHAFT COMP. (Long)	1 U.R.		6G8-44150-20	SHIFT CAM ASS'Y (Ultra Long)	1 U.R.
	6G8-45501-20	DRIVE SHAFT COMP. (Ultra Long)	1 U.R.	48	682-44147-00	. BOOT, shift cam	1
25	6G8-45551-00	PINION (13T)	1	49	682-44176-00	BRACKET	1
26	6G8-45587-00-10	WASHER, thrust (0.10MM)	1 U.R.	50	97780-50510	SCREW, tapping	1
	6G8-45587-00-14	WASHER, thrust (0.14MM)	1 U.R.	51	93604-08062	PIN, dowel B	1
	6G8-45587-00-18	WASHER, thrust (0.18MM)	1 U.R.				
	6G8-45587-00-35	WASHER, thrust (0.35MM)	1 U.R.				
	6G8-45587-00-50	WASHER, thrust (0.50MM)	1 U.R.				

Fig. 19 LOWER & DRIVE 2

Ref.No.	Parts No.	Description	Q'ty	Ref.No.	Parts No.	Description	Q'ty
1	93606-12019	PIN, dowel B	2	12	91490-30025	PIN, cotter	1
2	97375-08035	BOLT	4	13	6G8-45987-00	SPACER	1
3	92990-08600	WASHER	4	14	90201-31MA3	WASHER, plate	1
4	683-45251-00	ANODE	1	15	6G8-45214-00	COVER, water inlet 1	1
5	97395-06016	BOLT	1	16	6G8-45215-00	COVER, water inlet 2	1
6	92990-06600	WASHER	1	17	98180-05025	SCREW	1
7	682-45375-01	DAMPER, seal 2	1	18	90185-05002	NUT, self-locking	1
8	682-45376-01	GUIDE, seal damper	1	19	6G8-45941-00	PROPELLER ASS'Y (3x11"x11"-R)	1 U.R.
9	6G8-44361-10	TUBE, water (Long)	1 U.R.		6G8-45943-00	PROPELLER ASS'Y (3x11"x9."-R)	1 U.R.
	6G8-44361-20	TUBE, water (Ultra Long)	1 U.R.		6G8-45945-00	PROPELLER ASS'Y (3x11"x12."-R)	1 U.R.
10	626-44365-01	DAMPER, water seal 1	1		6G8-45947-00-EL	PROPELLER ASS'Y (3x11"x9."-R)	
11	6G8-45616-00	NUT, propeller	1		(Aluminium)		1 U.R.



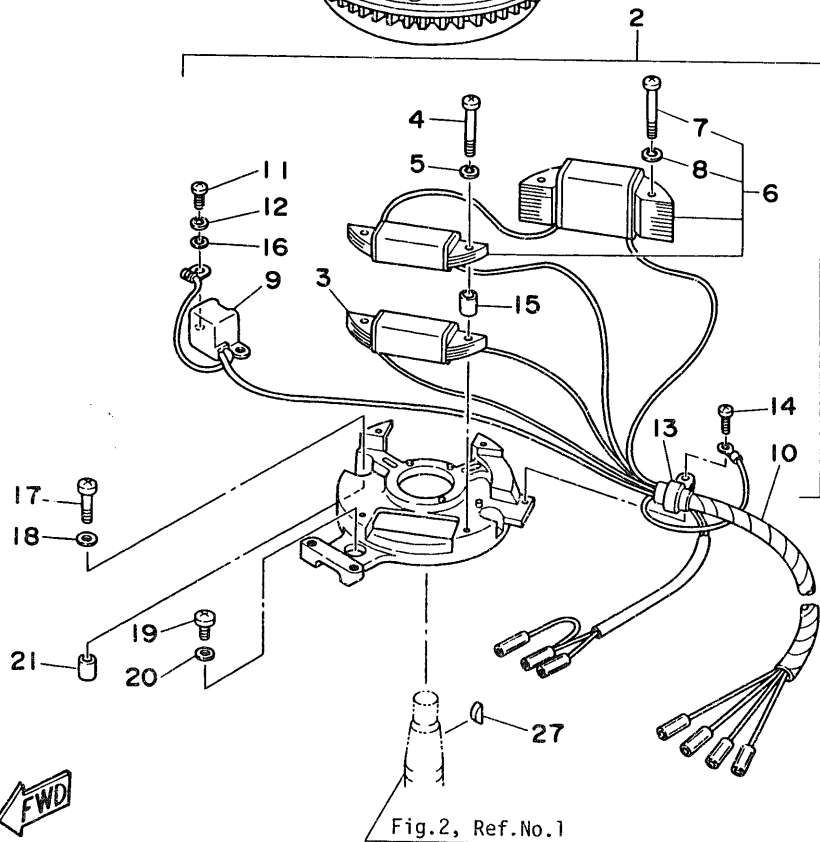
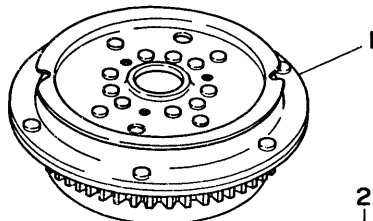
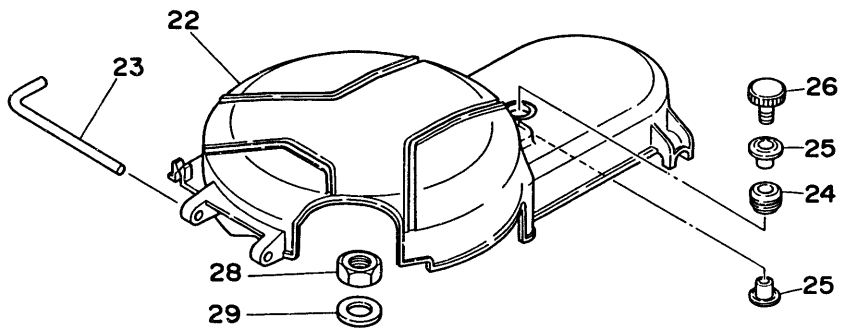


Fig. 20 C.D.I. MAGNETO

Ref.No.	Parts No.	Description	Q'ty	Ref.No.	Parts No.	Description	Q'ty
1	6G8-85550-J0	ROTOR ASS'Y	1	16	92903-05600	. WASHER	2
2	6G8-85560-J0	BASE ASS'Y	1	17	97803-06025	SCREW, panhead	2
3	6G8-85520-00	. CHARGE COIL ASS'Y	1	18	92903-06600	WASHER	2
4	97802-05040	. SCREW, panhead	2	19	97803-06020	SCREW, panhead	1
5	92902-05100	. WASHER	2	20	92903-06600	WASHER	1
6	6G8-81303-J0	. LIGHTING COIL ASS'Y	1	21	99510-08012	PIN, dowel A	2
7	97802-05040	. . SCREW, panhead	2	22	6G8-81337-00	COVER, flywheel	1
8	92902-05100	. . WASHER	2	23	6G8-42752-00	SHAFT	1
9	6G8-85580-00	. PULSER ASS'Y	1	24	90480-15M31	GROMMET	1
10	6G8-85515-00	. LEAD WIRE ASS'Y	1	25	90387-06M71	COLLAR	2
11	97803-05012	. SCREW, panhead	2	26	6G8-81323-00	SCREW 1	1
12	92903-05100	. WASHER	2	27	90280-05013	KEY, woodruff	1
13	445-81328-20	. LEAD, clamp	1	28	90170-12066	NUT	1
14	97802-04008	. SCREW, panhead	1	29	90201-12472	WASHER	1
15	6G8-85519-00	. BUSHING	2				

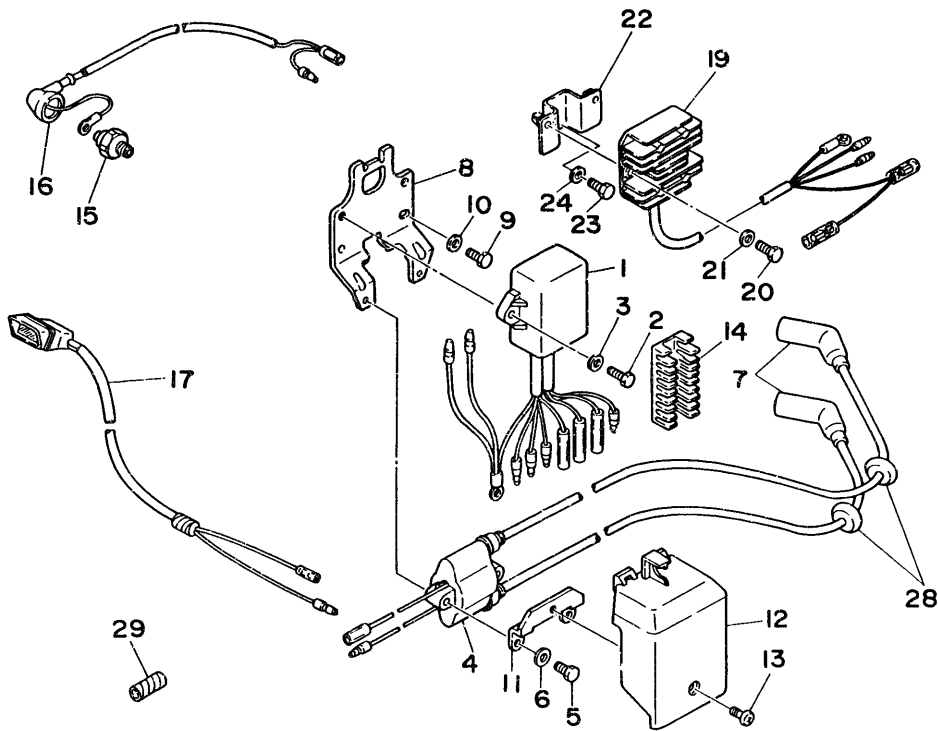


Fig. 21 ELECTRICAL

Ref.No.	Parts No.	Description	Q'ty	Ref.No.	Parts No.	Description	Q'ty
1	6G8-85540-20	C.D.I. UNIT ASS'Y	1	17	6G8-83582-01	PILOT LAMP ASS'Y	1
2	97313-06025	BOLT	2	18	6G8-82550-10	STOP SWITCH ASS'Y	1
3	92903-06600	WASHER	2		6G8-82550-20	STOP SWITCH ASS'Y (For Handy Remote Control)	1 A.P.
4	6G8-85570-20	IGNITION COIL ASS'Y	1	19	6G8-81960-A0	RECTIFIER & REGULATOR ASS'Y	1
5	97313-06020	BOLT	2	20	97313-06016	BOLT	2
6	92903-06600	WASHER	2	21	92903-06600	WASHER	2
7	6G8-82370-20	PLUG CAP ASS'Y	2	22	6G8-81948-00	BRACKET	1
8	6G8-85542-00	BRACKET	1	23	97313-06016	BOLT	1
9	97313-06020	BOLT	2	24	92903-06600	WASHER	1
10	92903-06600	WASHER	2	25	6G8-81949-00	WIRE, lead	1 A.P.
11	6G8-85525-00	PLATE	1	26	6G8-82575-00	KILL SWITCH ASS'Y	1
12	6G8-81916-00	COVER, terminal	1	27	682-82566-00	. STOPPER ASS'Y	1
13	98903-06008	SCREW, bind	1	28	90480-25161	GROMMET	2
14	6G8-82522-00	CLAMP	1	29	90446-10M02	TUBE	1
15	6G8-82501-00	OIL PRESSURE SWITCH	1				
16	6G8-82127-00	WIRE, lead 2	1				

Fig.11, Ref.No.1

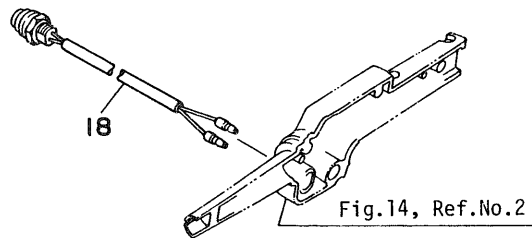
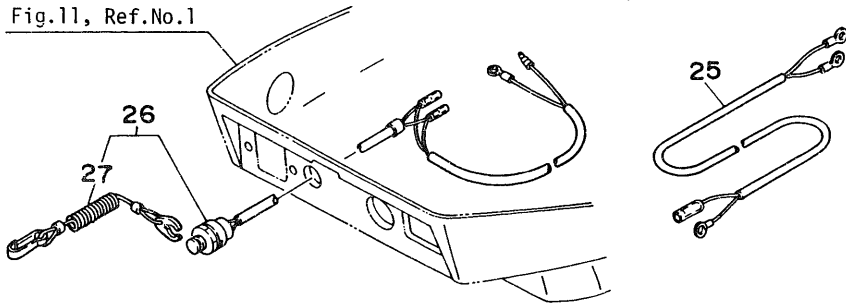
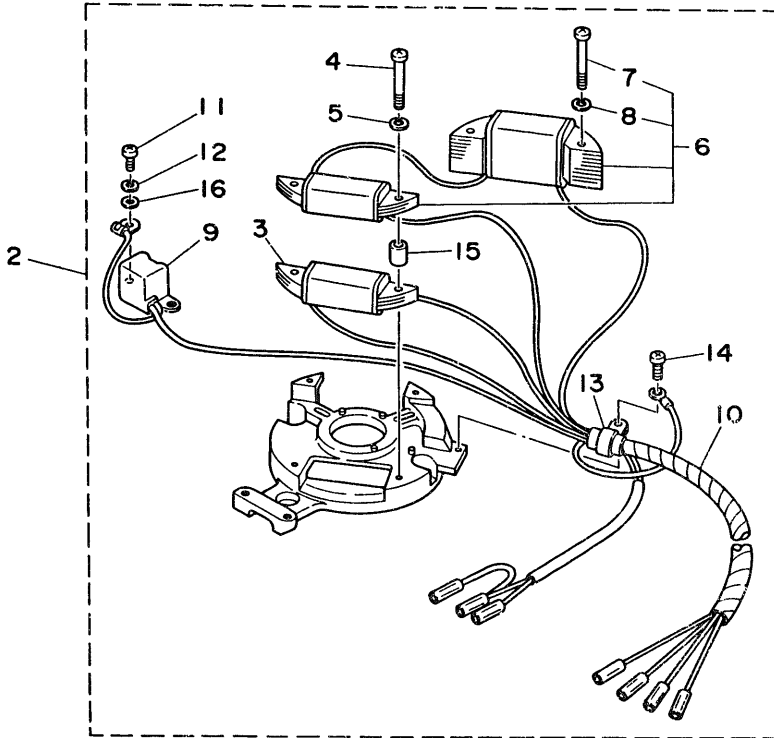
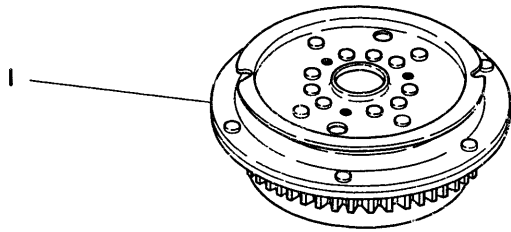


Fig.14, Ref.No.2

FWD

Fig. 22 C.D.I. MAGNETO (F8AEM/F9.9AEM/F9.9AE MODEL)

Ref.No.	Parts No.	Description	Q'ty	Ref.No.	Parts No.	Description	Q'ty
1	668-85550-K0	ROTOR ASS'Y	1	9	668-85580-00	. PULSER ASS'Y	1
2	668-85560-J0	BASE ASS'Y	1	10	668-85515-00	. LEAD WIRE ASS'Y	1
3	668-85520-00	. CHARGE COIL ASS'Y	1	11	97802-05012	. SCREW, panhead	2
4	97802-05040	. SCREW, panhead	2	12	92902-05100	. WASHER	2
5	92902-05100	. WASHER	2	13	445-81328-20	. LEAD, clamp	1
6	668-81303-J0	. LIGHTING COIL ASS'Y	1	14	97802-04008	. SCREW, panhead	1
7	97802-05040	. . SCREW, panhead	2	15	668-85519-00	. BUSHING	2
8	92902-05100	. . WASHER	2	16	92903-05600	. WASHER	2



FWD

D3

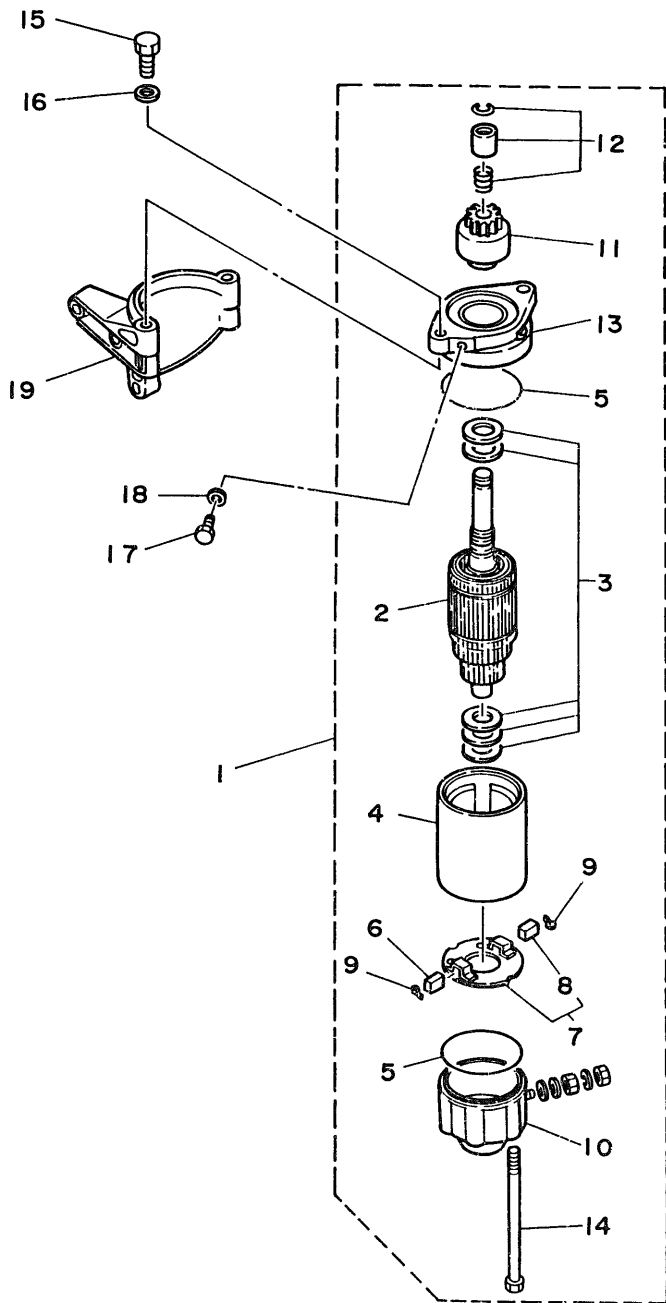


Fig. 23 STARTING MOTOR (F8AEM/F9.9AEM/F9.9AE MODEL)

Ref.No.	Parts No.	Description	Q'ty	Ref.No.	Parts No.	Description	Q'ty
1	668-81800-10	STARTING MOTOR ASS'Y	1	11	689-81807-12	. PINION ASS'Y	1
2	689-81850-11	. ARMATURE ASS'Y	1	12	689-81857-11	. PINION STOPPER SET	1
3	689-81809-11	. WASHER KIT	1	13	6F5-81830-11	. FRONT COVER ASS'Y	1
4	689-81810-11	. STATOR ASS'Y	1	14	689-81826-10	. BOLT	2
5	689-81847-11	. O-RING	2	15	97313-08025	BOLT	2
6	689-81811-11	. BRUSH 1	1	16	92903-08600	WASHER	2
7	689-81840-11	. BRUSH HOLDER ASS'Y	1	17	97395-08016	BOLT	1
8	689-81812-11	. BRUSH 2	1	18	92990-08600	WASHER	1
9	689-81813-10	. SPRING, brush	2	19	6G8-81822-40-94	BRACKET, electric starter	1
10	689-81820-11	. REAR COVER ASS'Y	1				

FWD

D4

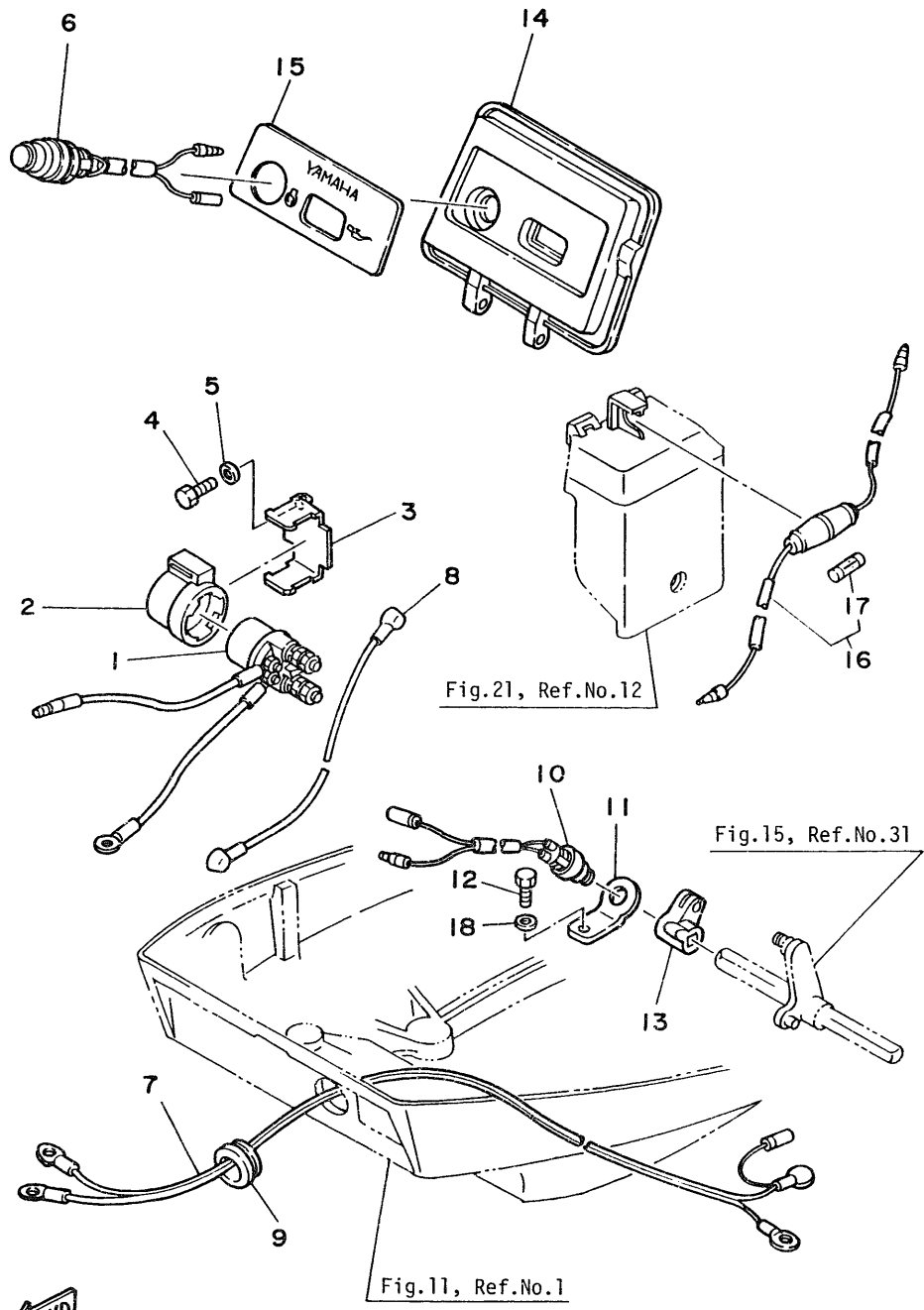


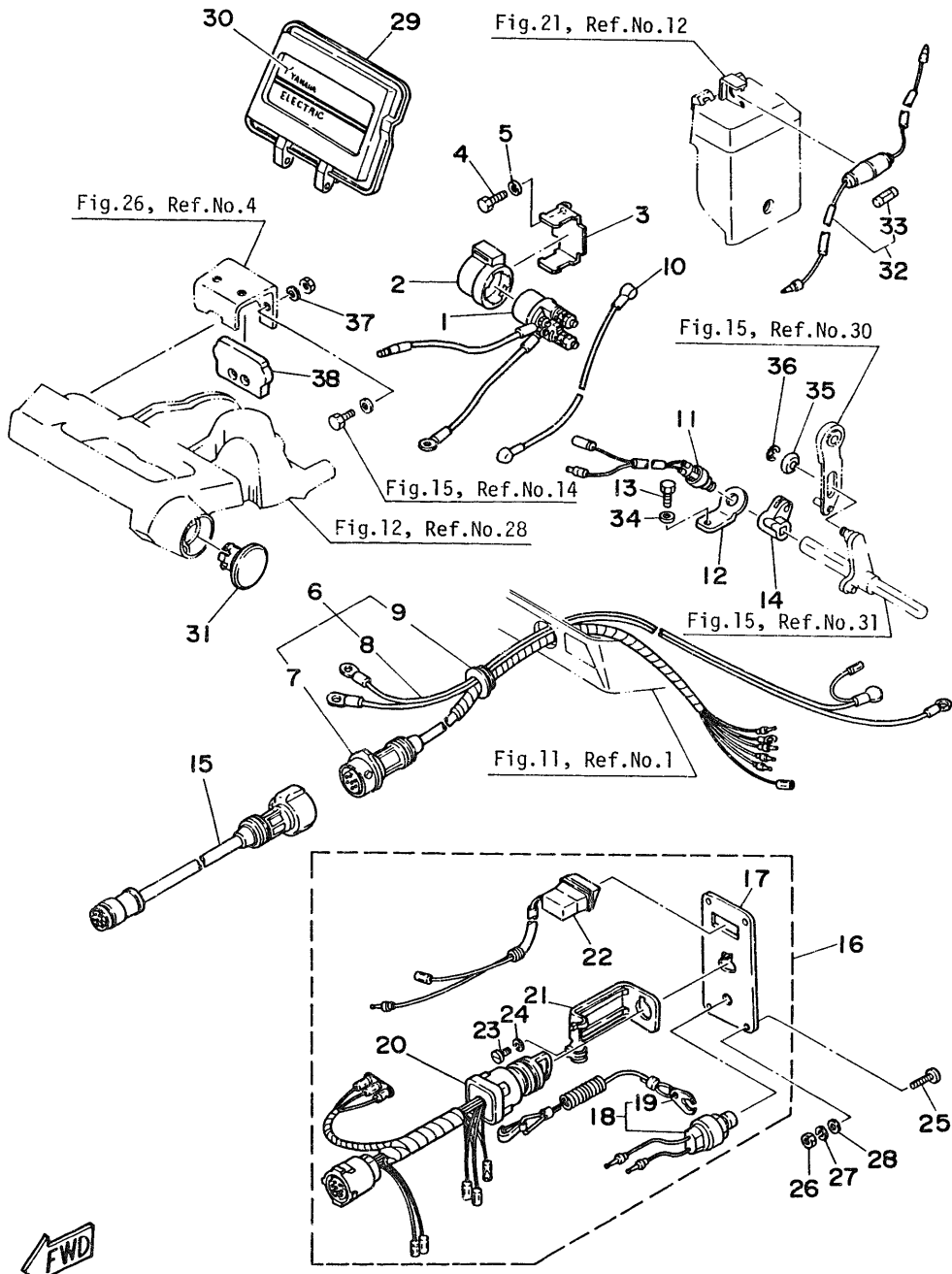
Fig. 24 ELECTRIC PARTS (F8AEM/F9.9AEM MODEL)

Ref.No.	Parts No.	Description	Q'ty	Ref.No.	Parts No.	Description	Q'ty
1	6J0-81941-10	STARTER RELAY	1	10	6H3-82540-00	NEUTRAL SWITCH ASS'Y	1
2	6G1-81952-00	HOLDER, starter relay	1	11	6G8-82554-00	STAY, neutral switch	1
3	6G8-81953-00	STAY, relay	1	12	97313-06012	BOLT	1
4	97313-06012	BOLT	1	13	6G8-44125-00	LEVER, shift rod	1
5	92903-06600	WASHER	1	14	6G8-42614-11	PANEL, front upper	1
6	6G8-81870-00	STARTING SWITCH ASS'Y	1	15	6G8-42677-10	GRAPHIC, front	1
7	6G8-82105-00	WIRE LEAD ASS'Y	1	16	6G8-82150-00	FUSE HOLDER ASS'Y	1
8	6G8-82117-00	WIRE, lead	1	17	663-82151-00	FUSE (12V-20A)	1
9	6G8-42724-40	GROMMET	1	18	92903-06600	WASHER	1

FWD

Fig. 25 ELECTRIC PARTS (F9.9AE MODEL)

Ref.No.	Parts No.	Description	Q'ty	Ref.No.	Parts No.	Description	Q'ty
1	6J0-81941-10	STARTER RELAY	1	20	6G8-82510-00	. MAIN SWITCH ASS'Y	1
2	6G1-81952-00	HOLDER, starter relay	1	21	663-82581-01	. STAY, cord clamp	1
3	6G8-81953-00	STAY, relay	1	22	6G8-83582-01	. PILOT LAMP ASS'Y	1
4	97313-06012	BOLT	1	23	98903-04008	. SCREW, cylinder head	1
5	92903-06600	WASHER	1	24	92903-04100	. WASHER	1
6	6G8-82580-00	WIRE HARNESS ASS'Y	1	25	90149-05H05	SCREW, bind	4
7	6G8-82590-00	. WIRE HARNESS ASS'Y	1	26	95380-05600	NUT	4
8	6G8-82105-00	. WIRE, lead	1	27	92990-05100	WASHER	4
9	6G8-42724-50	. GROMMET	1	28	92990-05600	WASHER	4
10	6G8-82117-00	WIRE, lead	1	29	6G8-42614-11	PANEL, front upper	1
11	6H3-82540-00	NEUTRAL SWITCH ASS'Y	1	30	6G8-42677-20	GRAPHIC, front	1
12	6G8-82554-00	STAY, neutral switch	1	31	6G8-42551-00	GROMMET 1	1
13	97313-06012	BOLT	1	32	6G8-82150-00	FUSE HOLDER ASS'Y	1
14	6G8-44125-00	LEVER, shift rod	1	33	663-82151-00	. FUSE (12V-20A)	1
15	688-82586-50	EXTENSION, wire harness	1	34	92903-06600	WASHER	1
16	6G8-82570-02	SWITCH PANEL ASS'Y	1	35	90387-06M73	COLLAR	1
17	6G8-82571-01	. PANEL, switch	1	36	93430-04M03	CIRCLIP	1
18	688-82575-01	. KILL SWITCH ASS'Y	1	37	92980-06600	WASHER, plain	2
19	682-82556-00	. STOPPER ASS'Y	1	38	6G8-48351-50	SEAL, rubber	1



D6

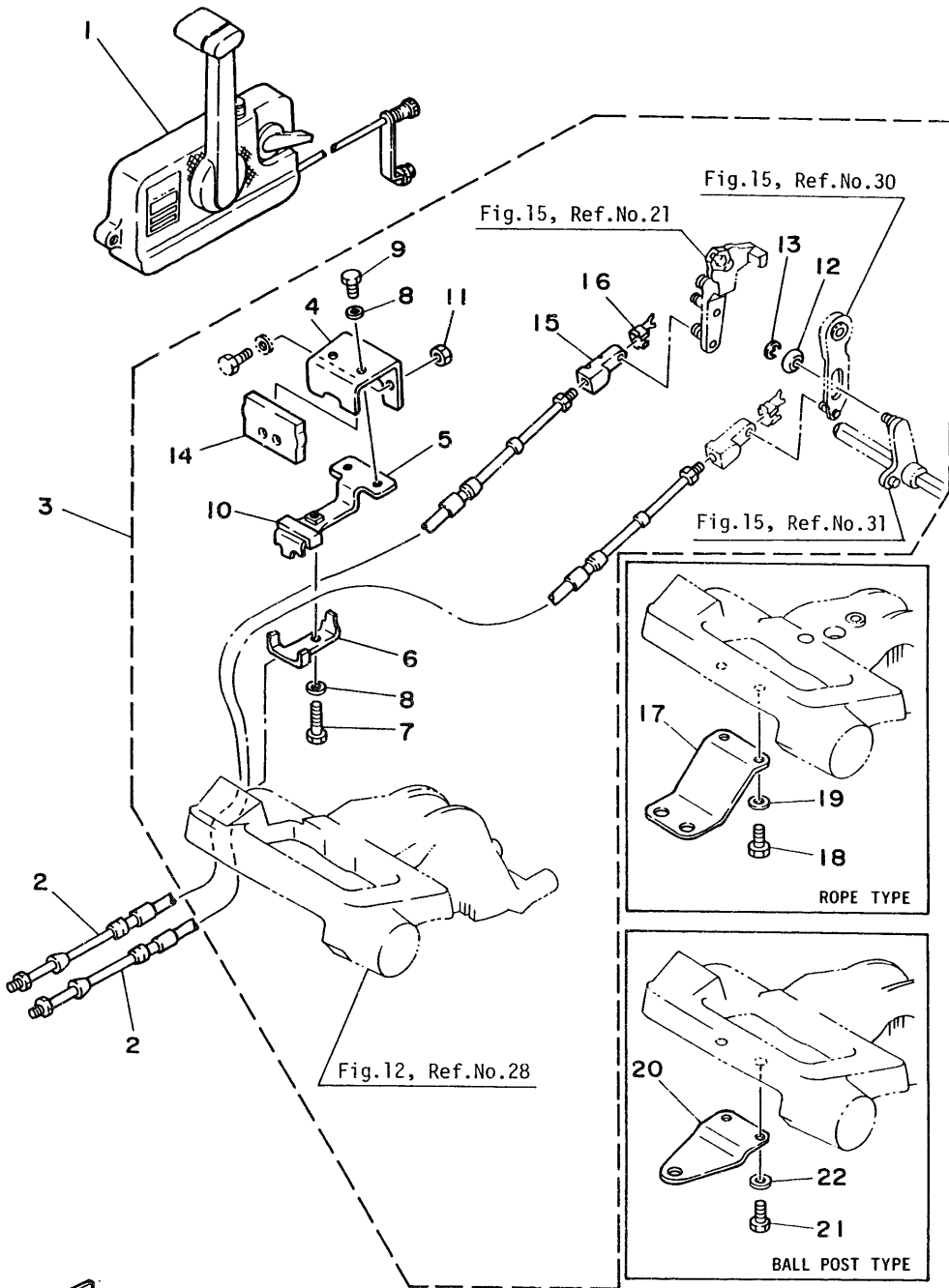
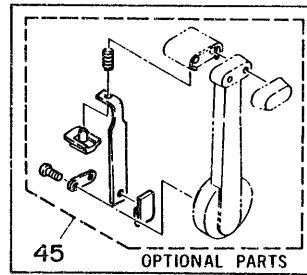
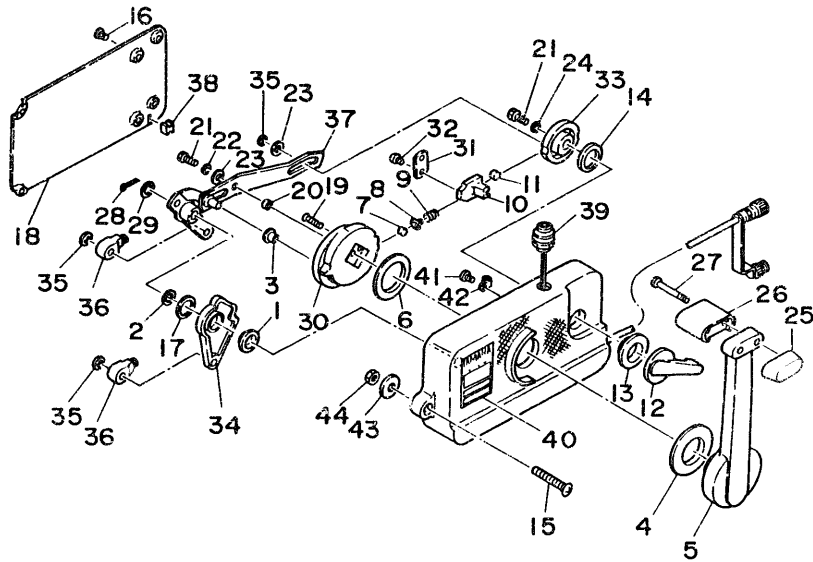


Fig. 26 REMOTE CONTROL

Ref.No.	Parts No.	Description	Q'ty	Ref.No.	Parts No.	Description	Q'ty
1	701-48101-10	REMOTE CONTROL ASS'Y 1(See Fig.27)	1	4	6G8-48531-50	. BRACKET, remote control 1	1
2	701-48310-10	CABLE, remote control 6F	2 U.R.	5	6G8-48532-50	. BRACKET, remote control 2	1
	701-48310-20	CABLE, remote control 7F	2 U.R.	6	6G8-48538-50	. CLAMP, cable	1
	701-48310-40	CABLE, remote control 8F	2 U.R.	7	97395-06030	. BOLT	1
	701-48310-60	CABLE, remote control 9F	2 U.R.	8	92990-06600	. WASHER	3
	701-48310-80	CABLE, remote control 10F	2 U.R.	9	97395-06012	. BOLT	2
	701-48310-90	CABLE, remote control 11F	2 U.R.	10	6G8-48565-50	. GROMMET	1
	701-48320-00	CABLE, remote control 12F	2 U.R.	11	95380-06700	. NUT	2
	701-48320-20	CABLE, remote control 13F	2 U.R.	12	90387-06M73	. COLLAR	1
	701-48320-30	CABLE, remote control 14F	2 U.R.	13	93430-04M03	. CIRCLIP	1
	701-48320-50	CABLE, remote control 15F	2 U.R.	14	6G8-48351-50	. SEAL, rubber	1
	701-48320-60	CABLE, remote control 16F	2 U.R.	15	6G8-26363-00	. END, wire 1	1
	701-48320-80	CABLE, remote control 17F	2 U.R.	16	6G8-26364-00	. END, wire 2	1
	701-48320-90	CABLE, remote control 18F	2 U.R.	17	6G8-48511-00	HOOK, steering (Rope Type)	1
	701-48320-40	CABLE, remote control 19F	2 U.R.	18	97395-06016	BOLT	2
	701-48320-70	CABLE, remote control 20F	2 U.R.	19	92990-06600	WASHER	2
	701-48350-00	CABLE, remote control 21F	2 U.R.	20	6G8-48511-10	HOOK, steering (Ball Post Type)	1
	701-48350-10	CABLE, remote control 22F	2 U.R.	21	97395-06016	BOLT	2
	701-48350-20	CABLE, remote control 23F	2 U.R.	22	92990-06600	WASHER	2
3	6G8-48501-02	ATTACHMENT KIT	1				

Fig. 27 REMOTE CONTROL ASS'Y

Ref.No.	Parts No.	Description	Q'ty	Ref.No.	Parts No.	Description	Q'ty
	701-48101-10	REMOTE CONTROL ASS'Y 1 (See Fig. 26, Ref. No. 1)	1	23	701-48246-00	. SPACER 1	2
1	701-48235-00	. BUSHING 2	1	24	92990-06300	. WASHER, internal tooth	1
2	701-48197-10	. WASHER, wave 2	1	25	701-48229-00	. GRIP, control lever 2	1
3	701-48252-00	. ROLLER, cam	1	26	701-48222-00	. GRIP, control lever 1	1
4	701-48234-00	. BUSHING 1	1	27	701-48282-00	. SCREW 2 (M5X50mm)	2
5	701-48221-00	. LEVER, control	1	28	701-48239-00	. SET PIN, plate	1
6	701-48196-11	. WASHER, wave 1	1	29	701-48266-00	. SPACER 2	1
7	701-48236-00	. ROLLER, detent	1	30	701-48232-00	. GEAR 1	1
8	702-48237-00	. ADAPTOR	1	31	701-48189-11	. RETAINER	1
9	702-48238-00	. SPRING, detent	1	32	98580-05010	. SCREW, panhead	2
10	701-48249-00	. ADAPTOR, spring	1	33	701-48153-12	. SHAFT, free accel.	1
11	701-48248-00	. ROLLER, free accel.	1	34	701-48271-00	. ARM, shift	1
12	701-48152-11	. KNOB, free accel.	1	35	93430-06024	. CIRCLIP	3
13	701-48243-00	. BUSHING 3	1	36	701-48345-30	. CABLE END, remote control 2	2
14	701-48198-10	. WASHER, wave 3	1	37	701-48261-00	. ARM, throttle	1
15	701-48281-00	. SCREW 1	3	38	701-48358-00	. ANCHOR, cable 2	1
16	701-48289-00	. SCREW 4	4	39	701-82550-50	. STOP SWITCH ASS'Y	1
17	701-48268-00	. SPACER 3	1	40	701-48126-00	. GRAPHIC	1
18	701-48213-00	. BACK PLATE	1	41	701-48283-00	. SCREW 3 (M4X10mm)	1
19	92780-06025	. SCREW, flathead	2	42	701-82594-00	. CLAMP	1
20	701-48255-00	. COLLAR 1	1	43	701-48287-00	. WASHER	3
21	97396-06018	. BOLT	2	44	95380-06600	. NUT	3
22	702-48288-00	. WASHER, plain	1	45	701-48280-00	NEUTRAL LOCK KIT	1 A.P.



FWD

E1

Fig. 28 OPTIONAL PARTS

Ref.No.	Parts No.	Description	Q'ty	Ref.No.	Parts No.	Description	Q'ty
		STOP SWITCH (5m)		6	689-82553-10	EXTENSION, wire lead (For Stop Switch)	1
1	689-82550-11	STOP SWITCH ASS'Y	1			WELL-TYPE EXHAUST KIT	
2	6A0-82553-20	EXTENSION, wire lead	1	7	6G8-W4537-00	WELL-TYPE EXHAUST KIT	1
		KILL SWITCH (5m)		8	6G8-45375-10	. SEAL	1
3	689-82575-12	KILL SWITCH ASS'Y	1	9	6G8-44391-10	. NIPPLE, hose	1
4	682-82556-00	. STOPPER ASS'Y	1	10	6G8-14611-00	. PIPE, exhaust	1
5	6A0-82553-20	EXTENSION, wire lead	1				

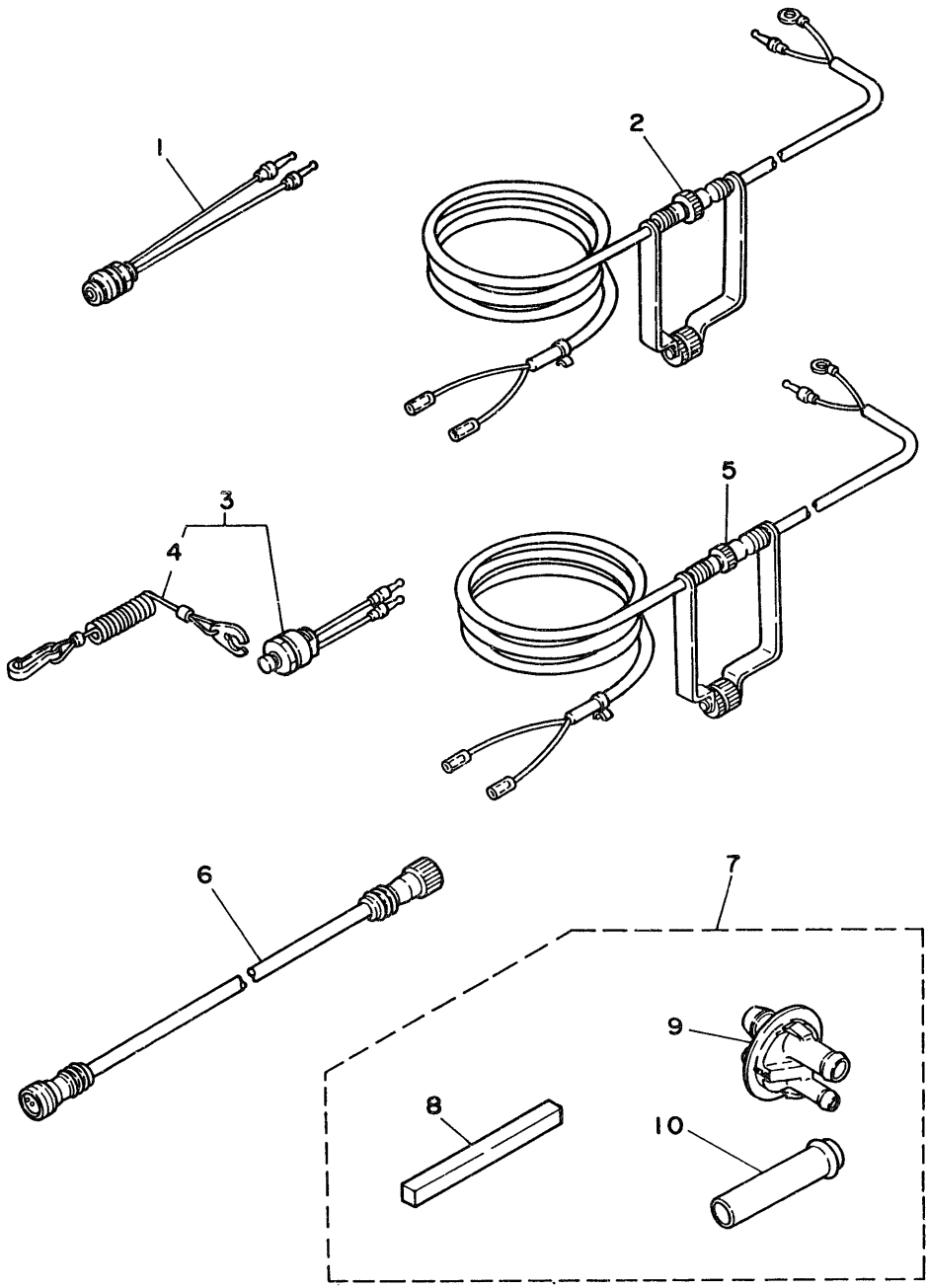


Fig. 29 REPAIR KIT 1

Ref.No.	Parts No.	Description	Q'ty	Ref.No.	Parts No.	Description	Q'ty
1	6G8-W0001-00	POWER HEAD GASKET KIT	1	16	6G8-15374-00	. GASKET, breather	1
2	6G8-41112-00	. GASKET, exhaust inner cover	2	17	6G8-W0093-00	CARBURETOR REPAIR SET	1
3	6G8-12414-00	. GASKET, cover	1	18	6G8-14198-00	. GASKET	1
4	6G8-11181-00	. GASKET, cylinder head	1	19	6G8-14384-00	. GASKET, float chamber	1
5	93210-11M59	. O-RING	1	20	647-14386-00	. PIN, float	1
6	93210-13M63	. O-RING	1	21	654-14198-00	. GASKET	1
7	93210-24M79	. O-RING	1	22	6G8-14323-00	. SCREW, air adjusting	1
8	6G8-11351-00	. GASKET, cylinder	1	23	6G8-14392-00	. VALVE, needle	1
9	93102-30M22	. OIL SEAL	1	24	6G8-14385-00	. FLOAT ASS'Y	1
10	93101-25M24	. OIL SEAL	1	25	97803-04016	. SCREW	4
11	93102-18M21	. OIL SEAL	1	26	92903-04100	. WASHER	4
12	6G8-13329-00	. GASKET, pump	1	27	33A-14369-00	. DIAPHRAGM	1
13	6G8-13646-00	. GASKET, intake manifold 2	2	28	1J2-14397-00	. O-RING	2
14	6G8-13645-00	. GASKET, intake manifold 1	1	29	5H0-14397-00	. O-RING	1
15	6G8-14198-00	. GASKET	1	30	5Y1-14397-00	. O-RING	1

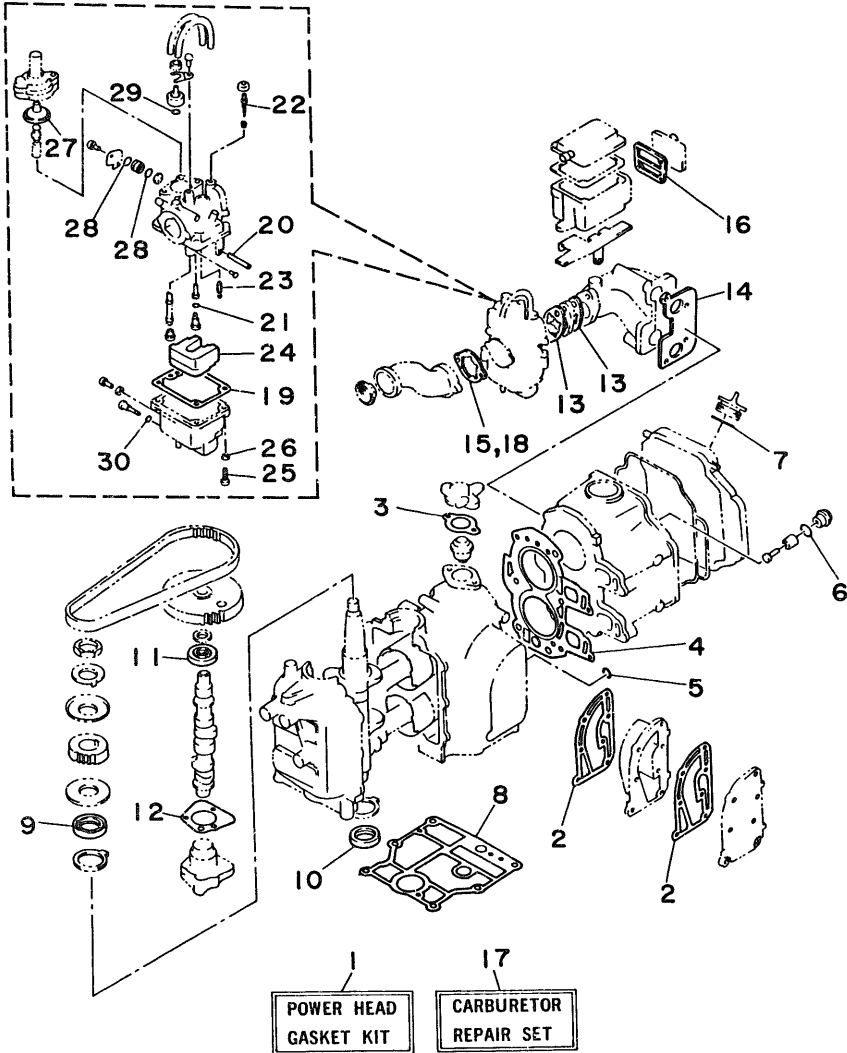
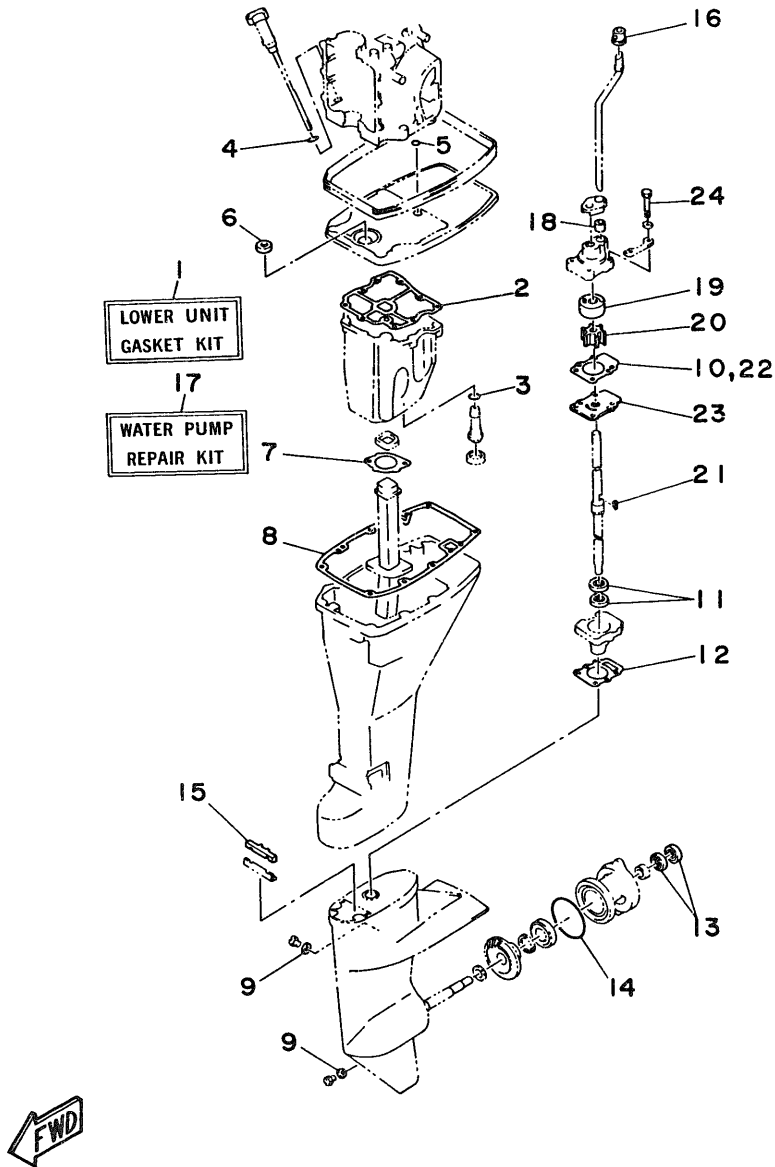


Fig. 30 REPAIR KIT 2

Ref.No.	Parts No.	Description	Q'ty	Ref.No.	Parts No.	Description	Q'ty
1	668-W001-21	LOWER UNIT GASKET KIT	1	13	93101-17054	. OIL SEAL	2
2	668-15312-01	. GASKET, oil pan	1	14	93210-74M68	. O-RING	1
3	93210-16M64	. O-RING	1	15	682-45375-01	. DAMPER, seal 2	1
4	93210-13M63	. O-RING	1	16	626-44365-01	. DAMPER, water seal 1	1
5	93210-08M60	. O-RING	1	17	682-W0078-00	WATER PUMP REPAIR KIT	1
6	93101-13M27	. OIL SEAL	1	18	682-44365-00	. WATER SEAL 1	1
7	668-41133-00	. GASKET, exhaust manifold	1	19	682-44322-00	. INSERT, cartridge	1
8	668-45113-00	. GASKET, upper casing	1	20	682-44352-01	. IMPELLER	1
9	90430-08020	. GASKET	3	21	90280-03024	. KEY, woodruff	1
10	682-44315-00	. GASKET, water pump 2	2	22	682-44315-00	. GASKET, water pump 2	2
11	93101-20048	. OIL SEAL	2	23	682-44323-00	. OUTER PLATE, cartridge	1
12	668-45315-00	. PACKING, lower casing	1	24	97395-06045	. BOLT	4



NUMERICAL INDEX

PART NO.	REF. NO.	PART NO.	REF. NO.	PART NO.	REF. NO.	PART NO.	REF. NO.	PART NO.	REF. NO.	PART NO.	REF. NO.
6G8-W0001-00	29- 1	6G8-12116-00	3- 3	648-14321-00	5-21	6G8-15311-01-9M	16- 7	663-15791-00	7-14	6G8-42111-00-EL	14- 1
6G8-W0001-21	30- 1	6G8-12117-00	3- 5	6G8-14323-00	5-13	6G8-15312-01	16- 8	6G8-15794-00	7-22	6G8-42112-01-EL	14- 2
6G8-W0070-00	10- 9	6G8-12117-10	3-15		29-22		30- 2	6Y0-24207-81-24	9- 1	6G8-42113-01-EL	14-25
682-W0078-00	30-17	30X-12118-00	3- 6	647-14334-00	5-11	6G8-15315-00	16-12	6Y1-24246-00	9- 2	6G8-42119-00	14-21
6G8-W0084-81-EL	14-31	30X-12119-00	3- 7	6G8-14341-00	5- 9	6G8-15316-00	16-14	646-24251-01	8- 5	6G8-42126-00-94	14-15
6J6-W0084-81-EL	14-31	6G8-12121-01	3- 2	6J6-14341-00	5- 9	6G8-15346-00	6-24	6Y1-24256-80	9- 3	6G8-42129-00	15-45
6G8-W0090-03-EL	1- 1	6G8-12146-00	3-11	6G8-14342-20	5- 5	6G8-15347-00	6-25	6Y1-24257-00	9- 4	6G8-42137-01	14-22
6G8-W0093-00	29-17	6G8-12151-00	3- 8	6G8-14342-21	5- 5	6G8-15358-00	6-18	6Y1-24268-00	9- 9	6J6-42137-00	14-22
6G8-W4537-00	28- 7	6G8-12153-00	3-16	648-14343-46	5- 8	6G8-15362-01	16-19	6Y0-24275-60	9- 6	6G8-42147-01	14-12
6G8-11111-01-94	1-18	6G8-12158-00	3-10	648-14343-47	5- 8	6G8-15363-00	1-42	6G1-24304-01	8- 1	6G8-42177-00	14-24
6G8-11133-10	1-19	6G8-12159-00	3- 9	6A4-14344-31	5-33	6G8-15368-00-94	6-20	6G1-24305-00	9-15	6G8-42511-01-EL	12-28
6G8-11181-00	1-29	6G8-12171-00	4-11	6G8-14345-00	5- 7	6G8-15369-00	6-21	6Y0-24306-04	9-10	6G8-42521-10-94	12-32
	29- 4	6G8-12411-00	1-11	6G8-14346-00	5-17	6G8-15371-00-94	6-23	6G8-24311-00	8- 6	6G8-42528-00	12-19
6G8-11191-01-94	1-31	6G8-12413-00-94	1-12	44J-14349-00	5-41	6G8-15373-00	1-32	6G8-24329-00	8- 2	6G8-42537-00	12-34
6G8-11197-00	1-40	6G8-12414-00	1-14	6G8-14355-00	5-25	6G8-15374-00	6-28	630-24329-00	9- 7	6G8-42551-00	25-31
6G8-11325-00	1-38		29- 3	14T-14367-00	5-29		29-16	650-24351-01	9-14	6G8-42561-00	12-25
6G8-11326-00	6-48	6G8-12481-00	1-23	6G8-14368-00	5-26	6G8-15376-00	6-33		9-17	6G8-42610-01-EL	10- 1
6G8-11351-00	1-45	6G8-12482-00	11-10	33A-14369-00	5-30	6G8-15379-00	16- 3	6Y1-24360-02	9-12	6J6-42610-01-EL	10- 1
	29- 8	6G8-13300-01	4-13		29-27	6G8-15393-00	6-17	6E5-24377-00	1-13	6G8-42613-00-EL	10- 6
6G8-11355-00	17-27	6G8-13329-00	4-14	6G8-14371-00	5-31	6G8-15397-00	16-13		17- 2	6G8-42614-01	11-26
6G8-11356-00	1-34		29-12	6G8-14373-00	5-27	6G8-15710-10	7- 1	6E0-24378-00	6-42	6G8-42614-11	24-14
6G8-11370-00	6- 6	6G8-13411-00	16-17	6G8-14374-00	5-28	6G8-15711-00	7- 2	6G8-24410-00	8- 9		25-29
6G8-11372-01	1-22	6G8-13412-00	16- 9	6G8-14377-00	5-38	6G8-15712-00	7-30	6G8-24411-00	8-11	6G8-42615-00	10- 2
676-11372-00	1-21	6G8-13417-00	16-16	6G8-14381-00	5- 3	6G8-15713-00	7- 4	6G8-24421-00	8-10	6G8-42628-01	10-12
	1-33	6G8-13487-00	16- 4	6G8-14383-00	5-40	6G8-15714-00	7- 3	647-24610-03	9- 5	6G8-42629-01	11-28
6G8-11395-00	6-35	6G8-13641-00-94	6- 5	6G8-14384-00	5- 2	6G8-15715-00	7- 7	6G8-26363-00	15-19	6G8-42651-00	10- 3
6G8-11411-02	2- 1	6G8-13645-00	6- 7		29-19	6G8-15716-00	7-27		26-15	6G8-42652-00	10- 4
6G8-11416-00	2- 4		29-14	6G8-14385-00	5-15	6G8-15719-00	7- 5	6G8-26364-00	15-20	6G8-42677-00	11-27
6G8-11416-10	2- 4	6G8-13646-00	6- 1		29-24	6G8-15723-00	7- 6		26-16	6G8-42677-10	24-15
6G8-11416-20	2- 4		29-13	647-14386-00	5- 4	6G8-15726-00	7-21	6G8-28100-01	9-18	6G8-42677-20	25-30
6G8-11426-00	2- 8	6G8-13647-00	6-47		29-20	6G8-15727-00	7- 9	6G8-41111-00-9M	1- 6	6G8-42678-00	10-11
6G8-11536-00-94	4- 2	6G8-14197-00	5-16	6G8-14392-00	5-14	6G8-15734-00	7-25	6G8-41112-00	1- 7	6J6-42678-00	10-11
6G8-11537-00-94	4- 6	6G8-14198-00	6-14		29-23	6G8-15739-00	7-17		29- 2	6G8-42681-00	10-10
6G8-11557-00	4- 3		29-15	14T-14396-00	5-44	6G8-15742-00	7-33	6G8-41113-00-9M	1- 8	6G8-42711-00-EL	11- 1
6G8-11575-00	16- 1		29-18	1J2-14397-00	5-35	6G8-15746-00	7-23	6G8-41131-00	17-11	6G8-42716-00	17-10
6G8-11587-00	4- 5	654-14198-00	5- 6		29-28	6G8-15747-00	7-26	6G8-41133-00	17-15	6G8-42719-00-EL	11-23
6G8-11610-00	2-10		29-21	5H0-14397-00	5-36	6F5-15752-00	7-12		30- 7	6G8-42724-00	11- 7
6G8-11610-10	2-10	646-14212-01	5-22		29-29	663-15753-00	7-13	6G8-41137-01-94	17- 1	6G8-42724-40	24- 9
6G8-11610-20	2-10	654-14216-00	5-10	5Y1-14397-00	5-39	6G8-15754-00	7- 8	6G8-41138-00	17-12	6G8-42724-50	25- 9
6G8-11631-00-97	2- 9	650-14222-01	5-45		29-30	6G1-15755-00	7-34	6G8-41212-00	15-21	6G8-42725-10	11- 8
6G8-11633-00	2-11	650-14227-01	5-46	6G8-14399-00	6-34	6G8-15767-00	7-24	6G8-41237-00	15-27	6H4-42725-00	14- 9
6G8-11635-00	2- 9	6G8-14271-00	5-43	6G8-14478-00	6-13	6G8-15768-00	7-10	6G8-41238-01	15-24	6G8-42727-00	11-31
6G8-11636-00	2- 9	6G8-14272-00	5-34	6G8-14479-01-94	6-12	6G8-15770-00	7-38	6G8-41241-01	15-25	6G8-42738-00-94	11-22
6G8-11650-01	2- 5	6G8-14301-00	5- 1	6G8-14493-00	15-29	6G8-15771-00	7-39	6G8-41242-01	15-28	6G8-42741-00-EL	17-22
6G8-11654-00	2- 6	6J6-14301-01	5- 1	6J6-14493-00	15-29	6G8-15772-00	7-42	6G8-41654-00	15-16	6G8-42748-00	11-18
6G8-12111-00	3- 1	6G8-14309-00	6-41	6G8-14611-00	28-10	6G8-15779-00	7-31	6G8-41661-00-98	15-12	6G8-42752-00	20-23
6G8-12113-00	3- 4	6G8-14313-00	5-37	6G8-14997-00	5-12	689-15779-01	7-35	6G8-41662-00-98	15-13	6G8-42755-00	11-29
		6G8-14318-27	5-32	6G8-15100-02-94	1- 2	6G8-15789-00	7-32	6G8-41663-00	15-18	6G8-42771-00-EL	17-24

NUMERICAL INDEX

PART NO.	REF. NO.	PART NO.	REF. NO.	PART NO.	REF. NO.	PART NO.	REF. NO.	PART NO.	REF. NO.	PART NO.	REF. NO.
6G8-42791-00	17-23	682-44322-00	18-11	682-45375-01	19- 7	702-48238-00	27- 9	668-48511-00	26-17	668-82370-20	21- 7
6G8-42792-00	17-25		30-19		30-15	701-48239-00	27-28	668-48511-10	26-20	668-82504-00	21-15
6G8-42811-00-94	11-12	682-44323-00	18-15	682-45376-01	19- 8	701-48243-00	27-13	668-48531-50	26- 4	668-82510-00	25-20
6G8-42815-00	11-11		30-23	6G8-45501-10	18-24	701-48246-00	27-23	668-48532-50	26- 5	668-82522-00	21-14
6G8-42831-00	11-21	682-44328-00	18-22	6G8-45501-20	18-24	701-48248-00	27-11	668-48538-50	26- 6	6H3-82540-00	24-10
6G8-43111-00-EL	12- 1	682-44352-01	18-12	6G8-45536-00	18-23	701-48249-00	27-10	668-48565-50	26-10		25-11
6G8-43112-01-EL	12- 2		30-20	6G8-45551-00	18-25	701-48252-00	27- 3	668-81303-J0	20- 6	668-82550-10	21-18
648-43114-01	12- 6	6G8-44361-10	19- 9	6G8-45560-00	18-29	701-48255-00	27-20		22- 6	668-82550-20	21-18
616-43118-00-EL	12- 3	6G8-44361-20	19- 9	6G8-45571-00	18-31	701-48261-00	27-37	668-81323-00	20-26	689-82550-11	28- 1
6G1-43136-00	12-13	626-44365-01	19-10	626-45577-00-01	18-30	701-48266-00	27-29	445-81328-20	20-13	701-82550-50	27-39
6G8-43160-00	13- 5		30-16		18-33	701-48268-00	27-17		22-13	6A0-82553-20	28- 2
6G8-43162-00	13- 6	682-44365-00	18-10	626-45577-00-03	18-30	701-48271-00	27-34	668-81336-00	1-37		28- 5
689-43191-00	12- 9		30-18		18-33	701-48280-00	27-45	668-81337-00	20-22	689-82553-10	28- 6
689-43192-01	12-10	6G8-44367-00	17- 4	626-45577-00-05	18-30	701-48281-00	27-15	668-81800-10	23- 1	668-82554-00	24-11
6G8-43311-12-EL	12-16	6G8-44391-00	11- 9		18-33	701-48282-00	27-27	689-81807-12	23-11		25-12
6G8-43319-00	13-22	6G8-44391-10	28- 9	6G8-45587-00-10	18-26	701-48283-00	27-41	689-81809-11	23- 3	682-82556-00	25-19
6G8-43373-00	12-22	6G8-44517-00-94	12-38	6G8-45587-00-14	18-26	701-48287-00	27-43	689-81810-11	23- 4		28- 4
682-43611-00	13-16	6G8-44518-00	12-43	6G8-45587-00-18	18-26	702-48288-00	27-22	689-81811-11	23- 6	682-82566-00	21-27
682-43614-00	13-14	6G8-44521-00	12-50	6G8-45587-00-35	18-26	701-48289-00	27-16	689-81812-11	23- 8	668-82570-02	25-16
682-43615-01	13-15	6G8-44522-00	12-41	6G8-45587-00-50	18-26	701-48310-10	26- 2	689-81813-10	23- 9	668-82571-01	25-17
682-43616-00	13- 9	6G8-44526-00	12-45	6G8-45611-00	18-34	701-48310-20	26- 2	689-81820-11	23-10	668-82575-00	21-26
6G8-43617-00	13-13	6G8-44532-00	12-51	6G8-45616-00	19-11	701-48310-40	26- 2	668-81822-40-94	23-19	688-82575-01	25-18
6G8-43631-00	13- 7	6G8-44533-00	12-24	682-45631-00	18-36	701-48310-60	26- 2	689-81826-10	23-14	689-82575-12	28- 3
682-43641-00	13-10	6G8-44551-01-EL	12-52	648-45633-00	18-38	701-48310-80	26- 2	6F5-81830-11	23-13	668-82580-00	25- 6
682-43659-00	13-19	6G8-44552-01-EL	12-53	650-45635-00	18-35	701-48310-90	26- 2	689-81840-11	23- 7	663-82581-01	25-21
682-43673-00	13-18	682-44555-00	12-60	6G8-45941-00	19-19	6G8-48311-02	15-10	689-81847-11	23- 5	688-82586-50	25-15
6G8-44111-00	15-30	6G8-44557-00	12-59	6G8-45943-00	19-19	6G8-48311-11	15-10	689-81850-11	23- 2	668-82590-00	25- 7
682-44116-00	15-35	6G8-45111-10-EL	17-16	6G8-45945-00	19-19	6J6-48311-02	15-10	689-81857-11	23-12	701-82594-00	27-42
682-44117-00	15-36	6G8-45113-00	17-18	6G8-45947-00-EL	19-19	6J6-48311-11	15-10	668-81870-00	24- 6	668-83582-01	21-17
6G8-44121-00	15- 1		30- 8	6G8-45987-00	19-13	701-48320-00	26- 2	668-81916-00	21-12		25-22
6G8-44123-00	15- 2	663-45119-00	12- 8	6G8-46241-00	4- 1	701-48320-20	26- 2	6J0-81941-10	24- 1	668-85515-00	20-10
6G8-44125-00	7-43		12-18	701-48101-10	26- 1	701-48320-30	26- 2		25- 1		22-10
	24-13		14-11	701-48126-00	27-40	701-48320-40	26- 2	668-81948-00	21-22	668-85519-00	20-15
	25-14	6G8-45127-00	16-21	701-48152-11	27-12	701-48320-50	26- 2	668-81949-00	21-25		22-15
682-44132-00	15-32	6G8-45135-00	17- 9	701-48153-12	27-33	701-48320-60	26- 2	6G1-81952-00	24- 2	668-85520-00	20- 3
6G8-44141-00	15-33	6G8-45151-00	17-17	701-48189-11	27-31	701-48320-70	26- 2		25- 2		22- 3
6G8-44143-10	15-39	6G8-45211-20-EL	17-28	701-48196-11	27- 6	701-48320-80	26- 2	668-81953-00	24- 3	668-85525-00	21-11
682-44147-00	18-48	6G8-45214-00	19-15	701-48197-10	27- 2	701-48320-90	26- 2		25- 3	668-85540-20	21- 1
6G8-44150-10	18-47	6G8-45215-00	19-16	701-48198-10	27-14	6G8-48321-01	15-11	668-81960-A0	21-19	668-85542-00	21- 8
6G8-44150-20	18-47	683-45251-00	19- 4	701-48213-00	27-18	6G8-48321-10	15-11	668-82105-00	24- 7	668-85550-J0	20- 1
6G8-44159-00	15-31	6G8-45300-12-EL	18- 1	701-48221-00	27- 5	701-48345-30	27-36		25- 8	668-85550-K0	22- 1
682-44176-00	18-49	6G8-45300-22-EL	18- 1	701-48222-00	27-26	701-48350-00	26- 2	668-82117-00	24- 8	668-85560-J0	20- 2
6G8-44191-00	14- 8	6G8-45311-02-EL	18- 2	701-48229-00	27-25	701-48350-10	26- 2		25-10		22- 2
682-44300-01	18- 7	6G8-45315-00	18-18	701-48232-00	27-30	701-48350-20	26- 2	668-82127-00	21-16	668-85570-20	21- 4
682-44312-00	18- 8		30-12	701-48234-00	27- 4	6G8-48351-50	25-38	668-82150-00	24-16	668-85580-00	20- 9
682-44315-00	18-14	6G8-45331-00-9M	18-16	701-48235-00	27- 1		26-14		25-32		22- 9
	30-10	6G8-45361-00-EL	18-40	701-48236-00	27- 7	701-48358-00	27-38	663-82151-00	24-17	90101-08M88	12-61
	30-22	6G8-45375-10	28- 8	702-48237-00	27- 8	668-48501-02	26- 3		25-33	90105-06M33	16-15

NUMERICAL INDEX

PART NO.	REF. NO.	PART NO.	REF. NO.	PART NO.	REF. NO.	PART NO.	REF. NO.	PART NO.	REF. NO.	PART NO.	REF. NO.
90105-08M03	12-12	90269-02001	14-23	90480-19031	11-32	92903-06600	6- 4	92990-08100	12-15	93450-15023	2-12
90105-08M36	1-25	90280-03M01	4- 7	90480-25161	21-28		6-11	92990-08600	12-49	93604-08062	18-51
90105-08M37	1-24	90280-03024	18-13	90501-10071	12-27		6-37		12-62	93605-15065	12-29
90116-06M15	6- 8		30-21	90501-12M40	3-13		7-41		17-21	93606-12019	17- 6
90116-06M26	5-42	90280-05013	20-27	90501-12M41	3-14		8-17		17-31		17-19
	6- 2	90340-08014	18- 3	90501-14M06	18-39		8-23		19- 3		17-32
90116-08M19	17-29	90386-05M54	15- 9	90501-18M00	12-20		15-46		23-18		18-19
90116-08M28	12-39	90386-08M49	11-14	90501-23M42	14-16		17- 8	93101-13M27	17- 5		19- 1
90119-06M12	1- 5	90386-12069	15- 5	90506-29M16	13-21		20-18		30- 6	93700-06004	12- 7
90119-08M18	1- 4	90386-33M56	14-26	90508-12M18	13- 8		20-20	93101-17054	18-43		12-17
90149-05M05	25-25	90386-37M47	12-35	90890-44373	7-18		21- 3		30-13		14-10
90149-14030	12- 5	90386-37M48	12-37	91490-12012	7-29		21- 6	93101-20048	18-17	94701-00282	1-44
90157-06M04	17-26	90387-06M10	13-17	91490-16010	11-30		21-10		30-11	94701-00300	1-44
90159-05M06	15-17	90387-06M57	13- 1		15- 3		21-21	93101-25M24	2- 3	95303-06700	6- 3
90159-06M05	6-19	90387-06M58	11- 5		15-44		21-24		29-10		10- 7
90170-06015	15-40		15-23	91490-25020	15-34		24- 5	93102-18M21	4-12	95333-08700	7-11
90170-12066	20-28	90387-06M71	20-25	91490-30025	19-12		24-18		29-11	95380-04600	15-26
90170-24M09	4- 4	90387-06M72	11- 16	91690-30012	12-26		25- 5	93102-30M22	2- 2	95380-05600	25-26
90179-08M06	18-28	90387-06M73	25-35	91690-30016	12-11		25-34		29- 9	95380-06600	27-44
90185-05002	19-18		26-12	91790-05020	15-42	92903-08600	7-37	93210-08M60	17- 3	95380-06700	6- 9
90185-08057	12-14	90387-13M56	3-12	92503-16025	8-15		23-16		30- 5		12-58
	12-44	90430-08020	18- 4	92580-06020	13-23	92980-06600	25-37	93210-08287	9-16		13- 3
	12-63		30- 9	92780-06025	27-19	92990-04200	6-27	93210-11M59	1-30		14-20
90185-20M03	14-29	90445-05ME6	11-33	92902-05100	7-20	92990-05100	25-27		29- 5		15-41
90201-06M00	2- 7	90445-08MF4	6-39		20- 5	92990-05200	15- 4	93210-12M62	16- 2		26-11
90201-06M31	11- 6	90445-08MF5	6-38		20- 8	92990-05600	14-14	93210-13M63	1-41	95380-08600	17-30
	11-15	90445-08MF6	6-43		22- 5		15-43		16-20	95780-06300	13- 24
	12-21	90445-08MF7	6-40		22- 8		25-28		29- 6	97305-06025	7-15
90201-06M94	4-10	90445-09M75	8-19		22-12	92990-06300	27-24		30- 4	97312-06016	16-10
	15- 8	90445-09065	6-31	92902-05600	16- 6	92990-06600	1-10	93210-16M64	16-18	97313-06010	8-22
90201-06049	14-18		8- 7	92902-06200	7-28		8- 4		30- 3	97313-06012	6-36
90201-08MA4	12-64	90445-11M05	9-13	92902-06600	16-11		11-20	93210-20M65	8-18		7-40
90201-08M12	12-40	90445-11M52	6-30	92903-04100	5-24		11-25	93210-24M79	1-43		15-37
90201-12472	20-29	90445-11M66	1-17		25-24		12-31		29- 7		24- 4
90201-13201	4- 8	90445-11M79	9-11		29-26		12-47	93210-37M67	12-36		24-12
90201-17682	18-32	90445-20ME5	15-38	92903-04600	8-14		12-55	93210-74M68	18-44		25- 4
90201-20M00	14-28	90445-24M00	15-38	92903-05100	20-12		12-57		30-14		25-13
90201-31MA3	19-14	90446-10M02	21-29	92903-05600	6-16		13- 4	93306-00501	18-41	97313-06016	4- 9
90202-06007	14-19	90460-38M06	12-42		20-16		14- 5	93315-213V4	18- 6		11-13
90202-20M33	14-30	90461-06M00	6-46		22-16		14- 7	93315-317U2	18-42		15- 7
90206-08M13	11-17	90465-08M07	6-44	92903-06100	5-19		15-15	93332-00005	18- 5		21-20
90206-12052	15- 6		6-49		7-16		17-14	93341-313U3	18-27		21-23
90206-20M14	14-27	90465-08M23	6-45		8-16		18-21	93430-04M03	25-36	97313-06020	1-15
90209-45M09	12-33	90465-08M26	8-21	92903-06200	10- 8		18-46		26-13		1-35
90243-04001	12- 4	90467-08004	8- 8	92903-06600	1-16		19- 6	93430-05027	13-12		17- 7
90249-06M16	13-11		8-20		1-28		26- 8		13-20		21- 5
90250-05010	18-37	90480-09M35	11- 2		1-36		26-19	93430-06024	27-35		21- 9
90266-04004	10- 5	90480-15M31	20-24		4-16		26-22	93450-09M01	1-20	97313-06025	1- 9

NUMERICAL INDEX

PART NO.	REF. NO.	PART NO.	REF. NO.	PART NO.	REF. NO.	PART NO.	REF. NO.	PART NO.	REF. NO.
97313-06025	4-15	97802-05040	22- 7						
	21- 2	97803-04007	5-20						
97313-06030	11- 3	97803-04016	5-23						
	15-22		29-25						
97313-06035	1-27	97803-05012	20-11						
97313-06040	11- 4	97803-06020	5-18						
97313-06045	6-10		20-19						
97313-08025	23-15	97803-06025	20-17						
97313-08030	7-36	97890-06030	14-17						
97315-06030	12-30	98180-05025	19-17						
97322-05012	7-19	98502-04010	6-32						
97375-08035	19- 2	98502-05012	16- 5						
97395-05012	14-13	98503-04014	8-13						
97395-06012	12-46	98503-05016	6-15						
	26- 9	98580-05010	27-32						
97395-06016	11-19	98580-05025	1-39						
	11-24	98586-05016	9- 8						
	15-14	98701-03008	8-12						
	17-13	98780-05016	14- 3						
	19- 5	98903-04008	25-23						
	26-18	98903-06008	21-13						
	26-21	99510-08012	20-21						
97395-06020	8- 3	99510-10114	1- 3						
	18-45		1-26						
97395-06025	12-23								
	14- 4								
97395-06030	26- 7								
97395-06040	14- 6								
97395-06045	12-54								
	18-20								
	30-24								
97395-06095	12-56								
97395-06135	13- 2								
97395-08016	23-17								
97395-08030	12-48								
97395-08040	17-20								
97396-06018	27-21								
97780-40112	18- 9								
97780-40512	6-22								
	6-26								
	6-29								
97780-50510	18-50								
97802-04008	20-14								
	22-14								
97802-05012	22-11								
97802-05040	20- 4								
	20- 7								
	22- 4								