



Spare parts catalog- Yanmar engines

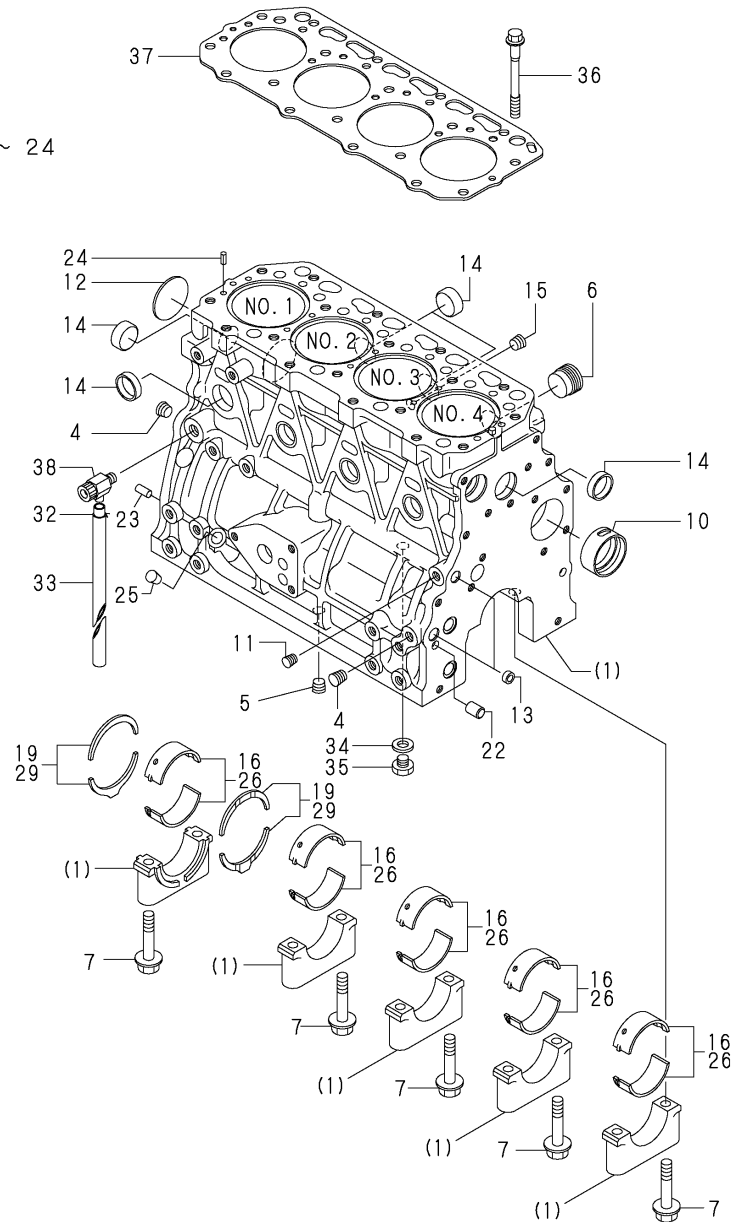
- (A) = 4JH3E
- (B) = 4JH3CE
- (C) = 4JH3CE1
- (D) = 4JH3-TE
- (E) = 4JH3-TCE

Fig.1.CYLINDER BLOCK(4JH3E)

(A)=4JH3E (D)=4JH3-TE
 (B)=4JH3CE (E)=4JH3-TCE
 (C)=4JH3CE1 (F)=

REF.	LEV.	PARTS NO.	DESCRIPTION	QTY						I	R
				(A)	(B)	(C)	(D)	(E)	(F)		
1	1	729670-01560	CYL. BLOCK ASSY	1	1	1					
4	3	124160-01910	PLUG PT1/4	2	2	2					
I	5	3	124160-01910	PLUG PT1/4	1	1					Z
		(A=E/#21293) (B=E/#21293)									
6	3	171051-01921	PLUG	1	1	1					
7	3	129150-02020	BOLT, METAL CAP	10	10	10					
10	3	129795-02411	BUSH, CAMSHAFT	1	1	1					
11	3	23876-010000	PLUG PT1/8,SCREW	1	1	1					
12	3	27231-500000	PLUG 50	1	1	1					
12-1	3	129001-01250	PLUG 50	1	1	1					N
		(A=E/#22379) (B=E/#22379) (C=E/#22379)									
13	3	27241-120000	PLUG 12	2	2	2					
14	3	27241-300000	PLUG 30	8	8	8					
15	2	23876-030000	PLUG PT3/8,SCREW	1	1	1					
16	2	129001-02800	MAIN BEARING	5	5	5					
I	16-1	2	129690-02800	MAIN BEARING	5	5	5				N
		(A=E/#23803) (B=E/#23803) (C=E/#23803)									
19	2	129150-02930	METAL, THRUST	2	2	2					
22	2	129795-01950	PIPE, KNOCK L=18	2	2	2					
23	2	129100-01580	PARALLEL PIN 8X16	2	2	2					
24	2	22351-060012	SPRING PIN 6X12	2	2	2					
25	1	27225-100140	PLUG 10X14	1	1	1					
I	25-1	1	119309-01810	PLUG	1	1	1				R
		(A=*2002.09) (B=*2002.09) (C=*2002.09)									
26	1	129150-02870	MAIN METAL US=0.25	5	5	5					1
I	26-1	1	129690-02870	MAIN METAL 0.25 U.S	5	5	5				N 1
		(A=E/#23803) (B=E/#23803) (C=E/#23803)									
29	1	129150-02940	METAL, THRUST.25(2PIE	1	1	1					2
32	1	124460-77680	RETAINER	1	1	1					
33	1	23061-070300	PIPE 7X 300	1	1	1					
I	34	1	23414-080000	GASKET 8, ROUND	4	4	4				W
		(A=E/#23803) (B=E/#23803) (C=E/#23803)									
I	35	1	26106-080122	BOLT M 8X 12 PLATED	4	4	4				W
		(A=E/#23803) (B=E/#23803) (C=E/#23803)									
36	1	129150-01200	STUD, CYL. HEAD	18	18	18					
37	1	129408-01330	GASKET, CYL.HEAD	1	1	1					
38	1	128371-01800	COCK ASSY 1/4	1	1	1					

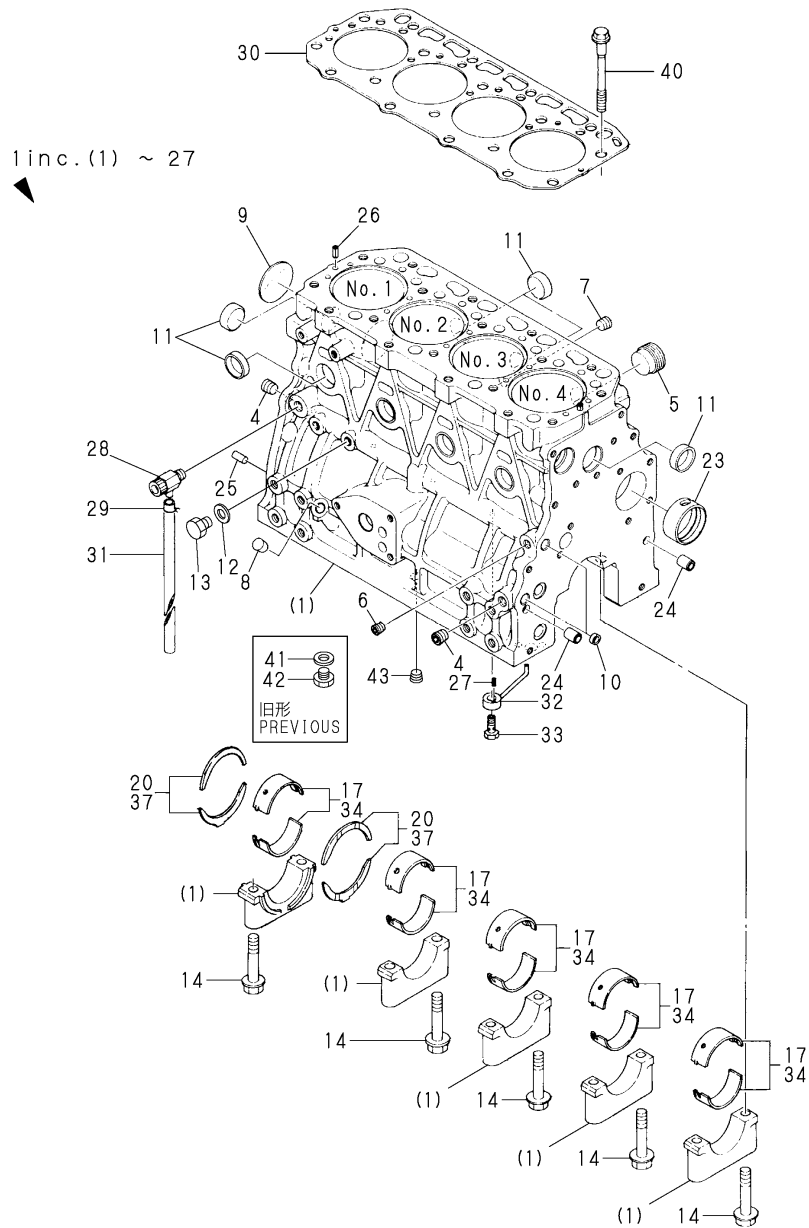
1inc.(1) ~ 24



Remarks
 (1) UNDER SIZE (U.S=0.25) PART.
 (2) OVER SIZE (O.S=0.25) PART.

Fig.2.CYLINDER BLOCK(4JH3-TE)

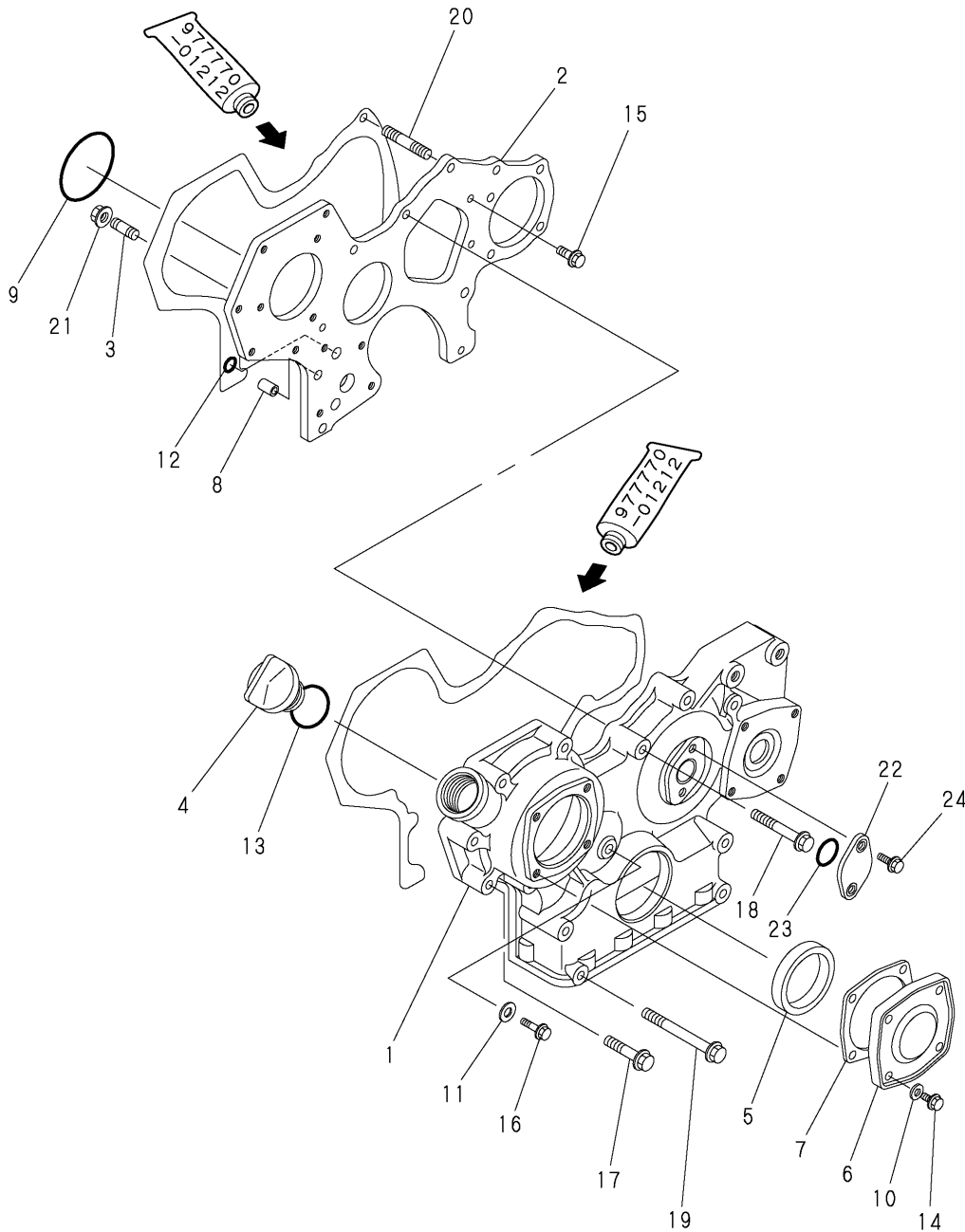
(A)=4JH3E (D)=4JH3-TE
 (B)=4JH3CE (E)=4JH3-TCE
 (C)=4JH3CE1 (F)=



REF.	LEV.	PARTS NO.	DESCRIPTION	QTY						I	R	
				(A)	(B)	(C)	(D)	(E)	(F)			
1	1	729693-01560	CYLINDER BLOCK				1	1				
4	3	124160-01910	PLUG PT1/4				2	2				
5	3	171051-01921	PLUG				1	1				
6	3	23876-010000	PLUG PT1/8,SCREW				1	1				
7	3	23876-030000	PLUG PT3/8,SCREW				1	1				
8	3	27225-100140	PLUG 10X14				1	1				
I	8-1	3	119309-01810	PLUG			1	1			R	
				(D=*2002.09)			(E=*2002.09)					
9	3	27231-500000	PLUG 50				1					
I	9-1	3	129001-01250	PLUG 50			1	1			N	
				(D=E/#10743)								
10	3	27241-120000	PLUG 12				2	2				
11	3	27241-300000	PLUG 30				8	8				
12	2	23414-100000	GASKET 10, ROUND				1	1				
13	2	23887-100002	PLUG 10				1	1				
14	2	129150-02020	BOLT, METAL CAP				10	10				
17	2	129150-02800	MAIN METAL				5					
I	17-1	2	129690-02800	MAIN BEARING			5	5			N	
				(D=E/#11493)								
20	2	129150-02930	METAL, THRUST				2	2				
23	2	129795-02411	BUSH, CAMSHAFT				1	1				
24	2	129795-01950	PIPE, KNOCK L=18				2	2				
25	2	22312-080160	PARALLEL PIN 8X 16				2	2				
26	2	22351-060012	SPRING PIN 6X12				2	2				
27	2	22351-030010	SPRING PIN 3X10				4	4				
28	1	128371-01800	COCK ASSY 1/4				1	1				
29	1	124460-77680	RETAINER				1	1				
30	1	129693-01330	GASKET,(NON-ASB.)				1	1				
31	1	23061-070300	PIPE 7X 300				1	1				
32	1	129553-39650	NOZZLE				4	4				
33	1	23857-030000	JOINT BOLT 3				4	4				
34	1	129150-02870	MAIN METAL US=0.25				5				1	
I	34-1	1	129690-02870	MAIN METAL 0.25 U.S			5	5			N	1
				(D=E/#11493)								
37	1	129150-02940	METAL,THRUST.25(2PIE				2	2			2	
40	1	129150-01200	STUD, CYL. HEAD				18	18				
41	1	23414-120000	GASKET 12, ROUND				1				Z	
				(D=E/#11493)								
42	1	23887-120002	PLUG 12,HEX.				1				Z	
				(D=E/#11493)								
43	1	124160-01910	PLUG PT1/4				1	1			W	
				(D=E/#11493)								

Remarks
 (1) UNDER-SIZED(0.25) PART
 (2) OVER-SIZED(0.25) PART

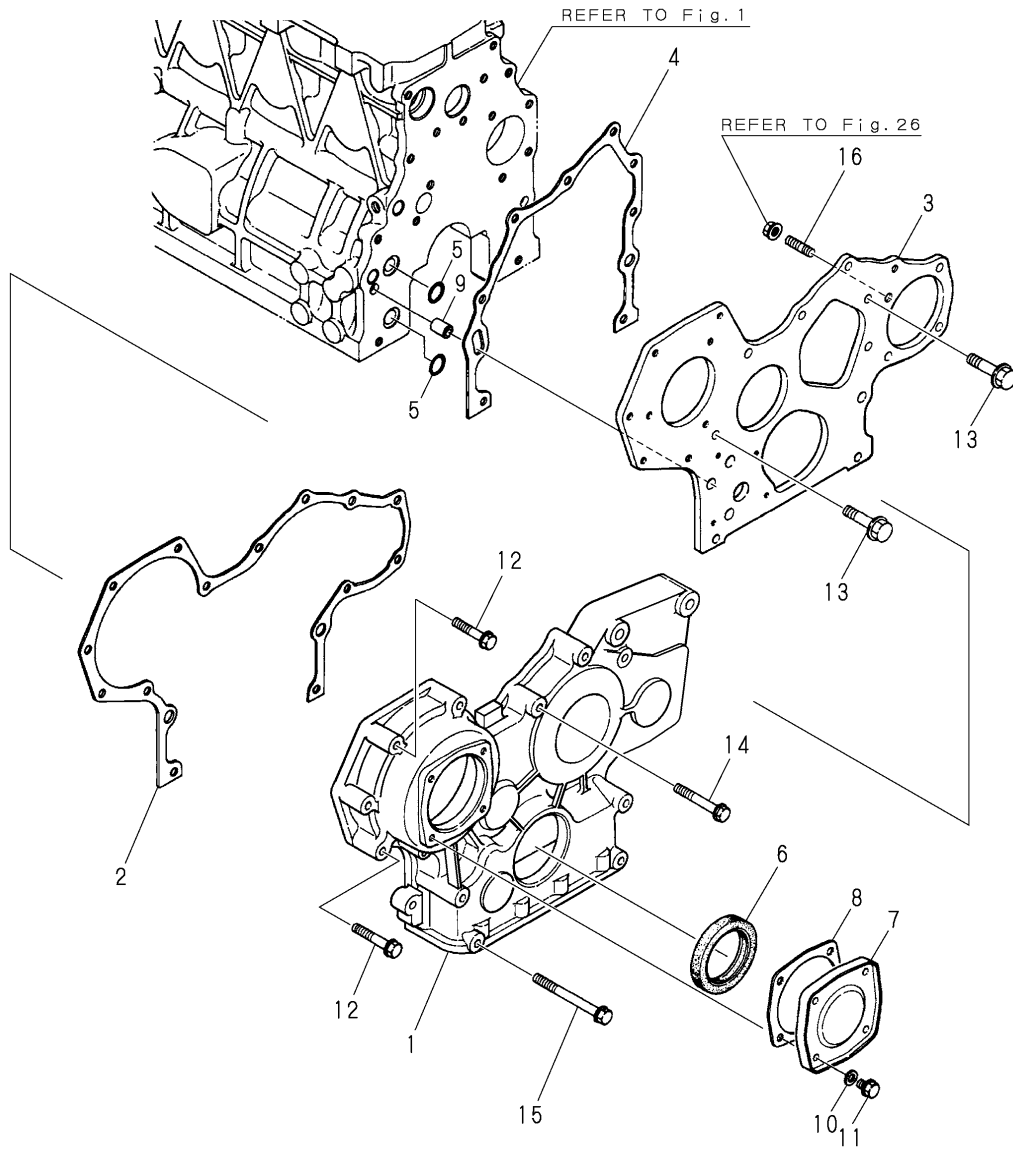
Fig.3.GEAR HOUSING(4JH3E)



(A)=4JH3E (D)=4JH3-TE
 (B)=4JH3CE (E)=4JH3-TCE
 (C)=4JH3CE1 (F)=

REF.	LEV.	PARTS NO.	DESCRIPTION	QTY						I	R
				(A)	(B)	(C)	(D)	(E)	(F)		
1	1	129670-01500	GEAR CASE	1	1	1					
2	1	129100-01520	FLANGE,GEAR HOUSING	1	1	1					
3	1	121450-01560	STUD M 8X 22	3	3	3					
4	1	124160-01751	COVER,FILLER	1	1	1					
5	1	129795-01800	SEAL, OIL	1	1	1					
6	1	129150-01870	COVER	1	1	1					
7	1	129150-01881	GASKET, (NON ASB.)	1	1	1					
8	1	129795-01950	PIPE, KNOCK L=18	2	2	2					
9	1	121850-51960	O-RING, F.I.PUMP	1	1	1					
10	1	22190-080002	SEAL WASHER 8S	4	4	4					
11	1	22190-080002	SEAL WASHER 8S	1	1	1					
12	1	24311-000160	O-RING 1A P-16.0	2	2	2					
13	1	24311-000320	O-RING 1A P-32.0	1	1	1					
14	1	26106-080122	BOLT M 8X 12 PLATED	4	4	4					
15	1	26106-080162	BOLT M 8X 16 PLATED	3	3	3					
16	1	26106-080162	BOLT M 8X 16 PLATED	1	1	1					
17	1	26106-080452	BOLT M 8X 45 PLATED	6	6	6					
18	1	26106-080552	BOLT M 8X 55 PLATED	3	3	3					
19	1	26106-080852	BOLT M 8X 85 PLATED	4	4	4					
20	1	26216-080182	STUD M 8X 18 PLATED	1	1	1					
21	1	26306-080002	NUT	3	3	3					
22	1	121023-01550	COVER, BLIND	1	1	1					
23	1	24341-000240	O-RING 1A S-24.0	1	1	1					
24	1	26106-060162	BOLT M 6X 16 PLATED	2	2	2					

Fig.4.GEAR HOUSING(4JH3-TE)

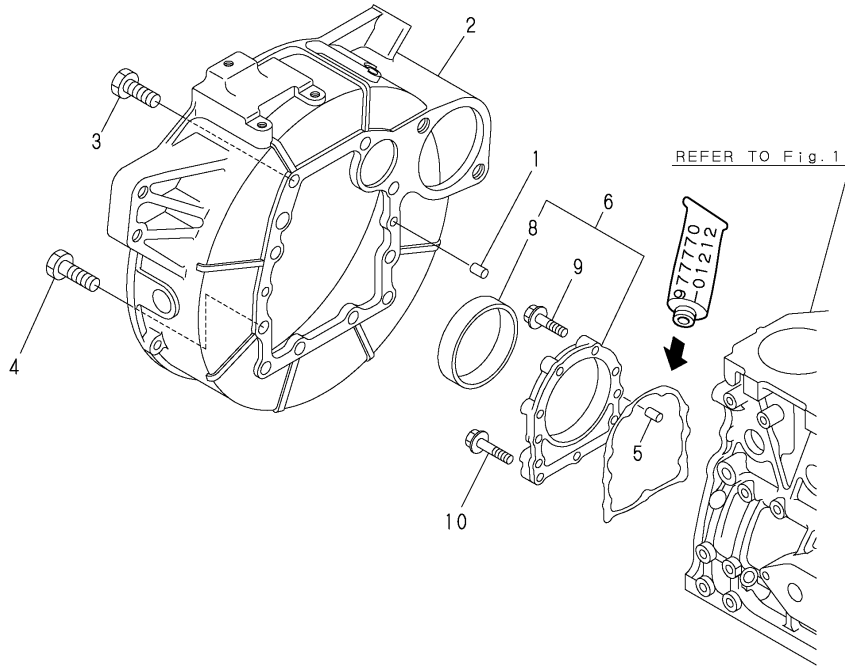


(A)=4JH3E (D)=4JH3-TE
 (B)=4JH3CE (E)=4JH3-TCE
 (C)=4JH3CE1 (F)=

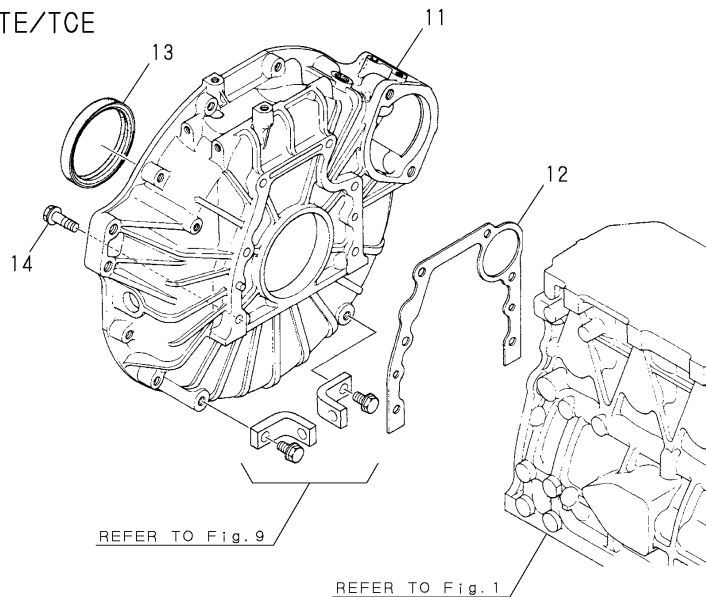
REF.	LEV.	PARTS NO.	DESCRIPTION	QTY						I	R	
				(A)	(B)	(C)	(D)	(E)	(F)			
1	1	129673-01500	GEAR CASE				1	1				
2	1	129693-01510	GASKET				1	1				
3	1	129693-01520	FLANGE				1	1				
4	1	129470-01531	GASKET				1	1				
5	1	129470-01550	O-RING				2	2				
6	1	129795-01800	SEAL, OIL				1	1				
7	1	129150-01870	COVER				1	1				
8	1	129150-01881	GASKET, (NON ASB.)				1	1				
9	1	129795-01950	PIPE, KNOCK L=18				2	2				
10	1	23414-080000	GASKET 8, ROUND				4	4				
11	1	26106-080122	BOLT M 8X 12 PLATED				4	4				
12	1	26106-080162	BOLT M 8X 16 PLATED				3	3				
13	1	26106-080452	BOLT M 8X 45 PLATED				2	2				
14	1	26106-080552	BOLT M 8X 55 PLATED				3	3				
15	1	26106-080852	BOLT M 8X 85 PLATED				4	4				
16	1	26216-080182	STUD M 8X 18 PLATED				1	1				

Fig.5.FLYWHEEL HOUSING

4JH3E/CE/CE1



4JH3-TE/TCE

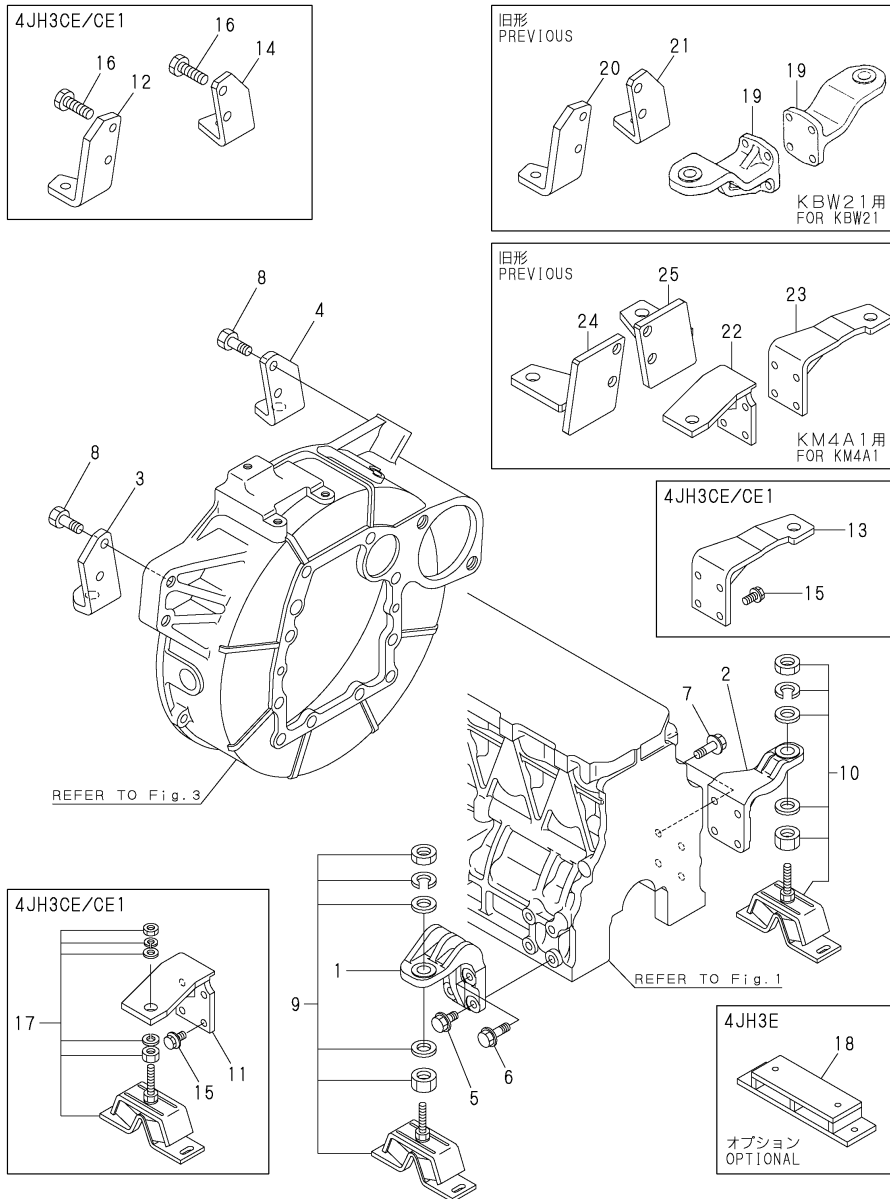


(A)=4JH3E (D)=4JH3-TE
 (B)=4JH3CE (E)=4JH3-TCE
 (C)=4JH3CE1 (F)=

REF.	LEV.	PARTS NO.	DESCRIPTION	QTY						I	R	
				(A)	(B)	(C)	(D)	(E)	(F)			
1	1	129100-01580	PARALLEL PIN 8X16	2	2	2						
2	1	129670-01600	FLYWHEEL HOUSING	1	1	1						
3	1	26206-100252	BOLT M10X25	6	6	6						
4	1	26206-100302	BOLT M10X30	4	4	4						
5	1	129100-01580	PARALLEL PIN 8X16	2	2	2						
6	1	129100-01640	CASE ASSY, OIL SEAL	1	1	1						
8	2	129795-01780	SEAL, OIL	1	1	1						
9	1	129486-01670	BOLT M8X30,COLLAR HD	6	6	6						
10	1	26106-080352	BOLT M 8X 35 PLATED	3	3	3						
11	1	129673-01600	HUSING, FLYWHEEL						1	1		
12	1	129470-01620	GASKET						1	1		
13	1	129795-01780	SEAL, OIL						1	1		
14	1	26106-100302	BOLT M10X 30 PLATED						6	6		

Fig.6.MOUNTING FOOT(4JH3E)

(A)=4JH3E (D)=4JH3-TE
 (B)=4JH3CE (E)=4JH3-TCE
 (C)=4JH3CE1 (F)=

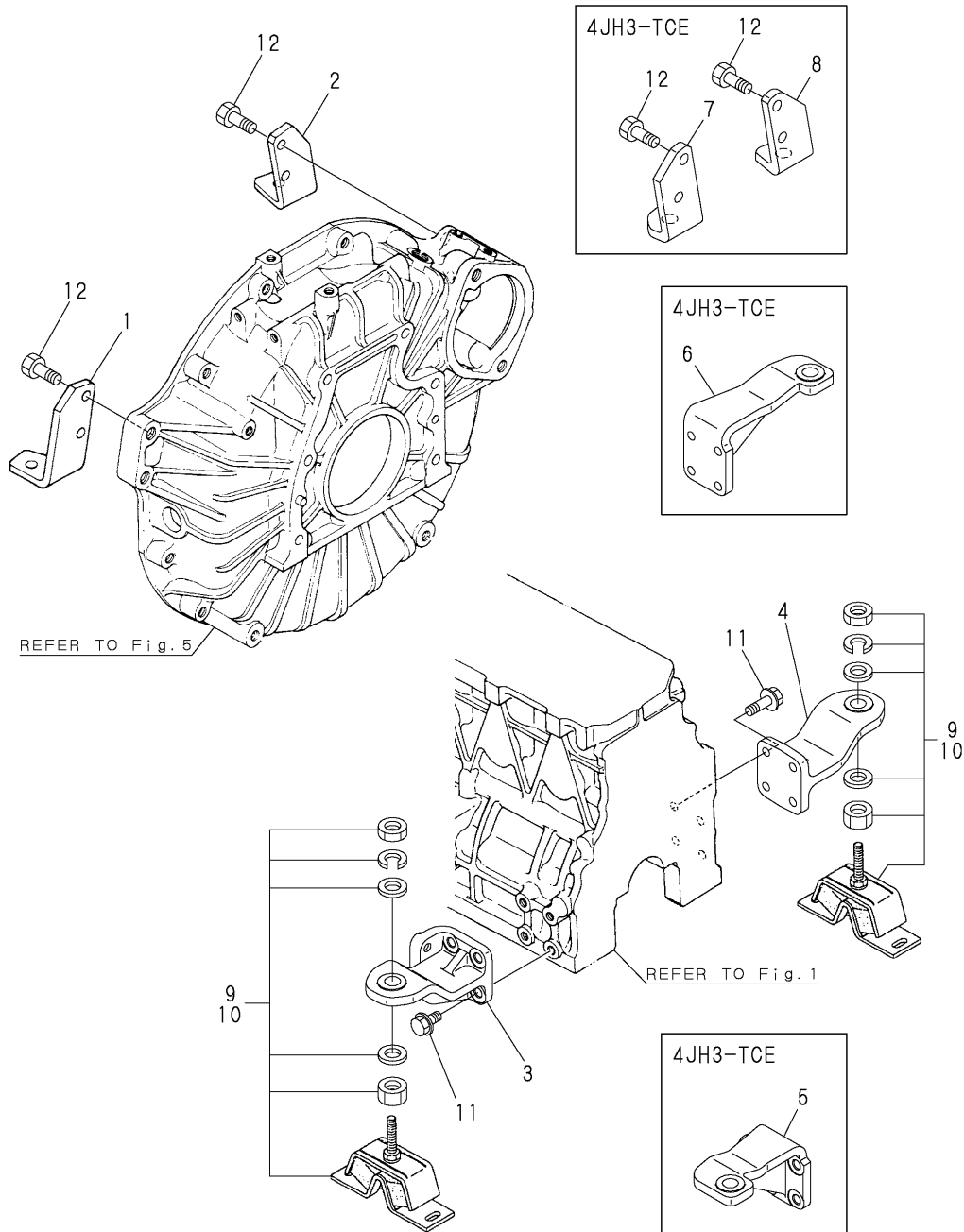


REF.	LEV.	PARTS NO.	DESCRIPTION	QTY						I	R
				(A)	(B)	(C)	(D)	(E)	(F)		
1	1	129670-08100	MOUNTING FOOT	1							
2	1	129670-08110	MOUNTING FOOT,B	1							
3	1	129670-08120	MOUNTING FOOT,C	1							
4	1	129670-08130	MOUNTING FOOT,D	1							
5	1	26106-100202	BOLT M10X 20 PLATED	2							
I 5-1	1	26106-100222	BOLT M10X 22 PLATED	2							N
(A=E/#23083)											
6	1	26106-100302	BOLT M10X 30 PLATED	2							
7	1	26106-100302	BOLT M10X 30 PLATED	4							
8	1	26116-120302	BOLT M12X 30 PLATED	4							
I 8-1	1	26116-120252	BOLT M12X 25 PLATED	4							N
(A=E/#23083)											
9	1	129670-08340	MOUNTING, FLEX.150	2							
10	1	129670-08350	MOUNTING, FLEX.200	2							
11	1	129473-08100	FOOT		1	1					
12	1	129470-08110	BRACKET		1						
I 12-1	1	129670-08120	MOUNTING FOOT,C		1	1					R
(B=E/#20550)											
13	1	129473-08110	FOOT		1	1					
14	1	129470-08120	BRACKET		1						
I 14-1	1	129670-08130	MOUNTING FOOT,D		1	1					R
(B=E/#20550)											
15	1	26106-100202	BOLT M10X 20 PLATED		8						
I 15-1	1	26106-100222	BOLT M10X 22 PLATED		8	8					N
(B=E/#20550)											
16	1	26116-120302	BOLT M12X 30 PLATED		4						
I 16-1	1	26116-120252	BOLT M12X 25 PLATED		4	4					N
(B=E/#20550)											
17	1	120149-08431	MOUNT, FLEXIBLE		2	2					
I 18	1	129670-08200	SPACER	2							W 1
(A=E/#21757)											
I 19	1	129470-08100	BRACKET	2							Z 2
(A=E/#25682)											
I 20	1	129670-08150	MOUNTING FOOT,REAR	1							Z 2
(A=E/#25682)											
I 21	1	129670-08160	MOUNTING FOOT,REAR	1							Z 2
(A=E/#25682)											
I 22	1	129473-08100	FOOT	1							Z 3
(A=E/#25682)											
I 23	1	129473-08110	FOOT	1							Z 3
(A=E/#25682)											
I 24	1	129670-08180	MOUNTING FOOT,REAR	1							Z 3
(A=E/#25682)											
I 25	1	129670-08190	MOUNTING FOOT,REAR	1							Z 3
(A=E/#25682)											

Remarks
 (1)SAIL DRIVE SPEC.
 (2)KBW21
 (3)KM4A1

Fig.7.MOUNTING FOOT(4JH3-TE)

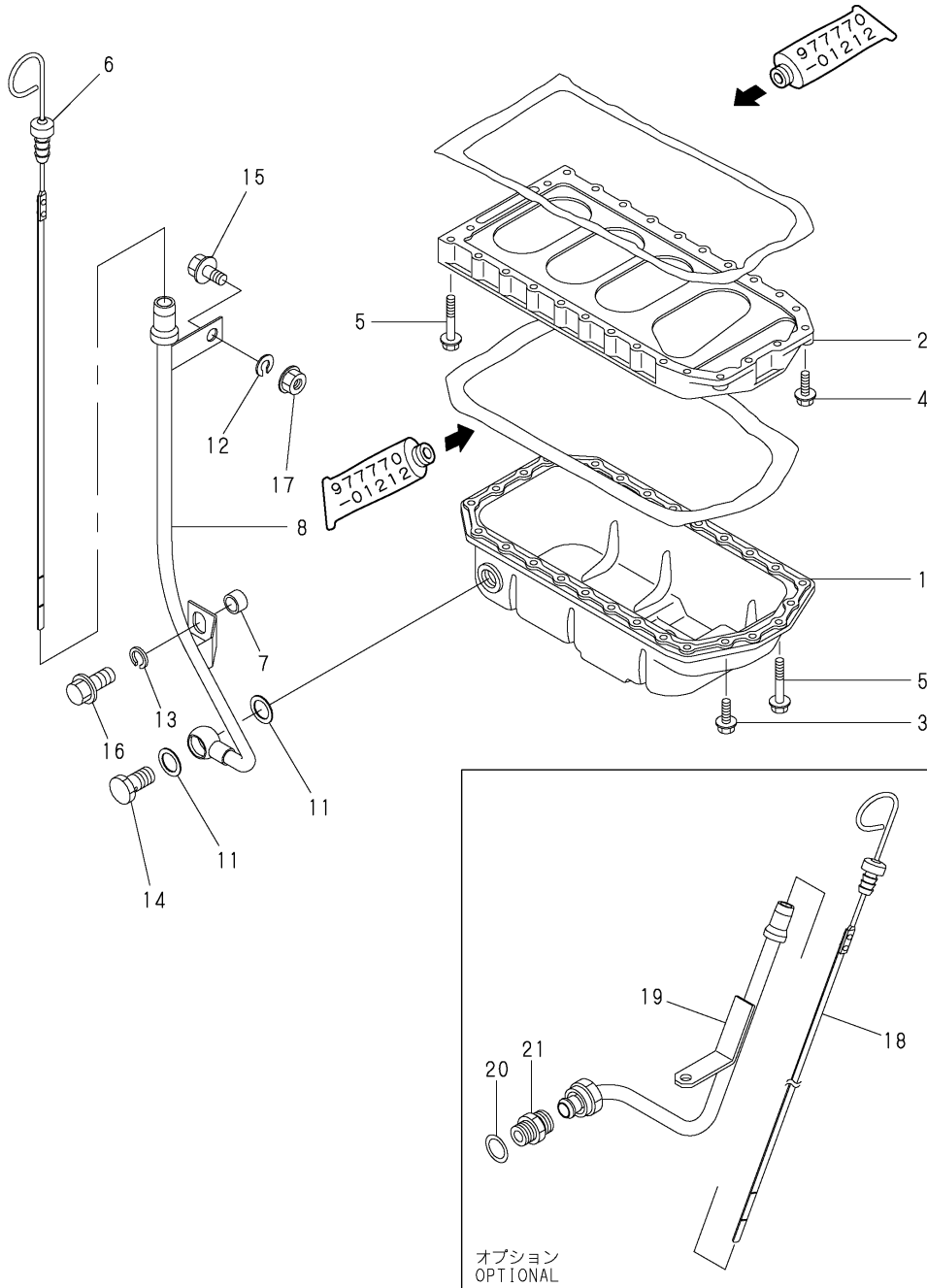
(A)=4JH3E (D)=4JH3-TE
 (B)=4JH3CE (E)=4JH3-TCE
 (C)=4JH3CE1 (F)=



REF.	LEV.	PARTS NO.	DESCRIPTION	QTY						I	R	
				(A)	(B)	(C)	(D)	(E)	(F)			
1	1	129670-08120	MOUNTING FOOT,C				1					
2	1	129670-08130	MOUNTING FOOT,D				1					
3	1	129673-08140	MOUNTING FOOT A				1					
4	1	129673-08150	MOUNTING FOOT A				1					
5	1	129673-08100	MOUNTING FOOT A						1			
6	1	129673-08110	MOUNTING FOOT B						1			
7	1	129673-08120	MOUNTING FOOT C						1			
8	1	129673-08130	MOUNTING FOOT D						1			
9	1	129670-08350	MOUNTING, FLEX,200				4					
10	1	120149-08441	MOUNT, FLEXIBLE						2			
11	1	26106-100202	BOLT M10X 20 PLATED				8					
I	11-1	26106-100222	BOLT M10X 22 PLATED				8	8			N	
			(D=E/#11059)									
12	1	26116-120302	BOLT M12X 30 PLATED				4	4				

Fig.8.LUB.OIL SUMP(4JH3E)

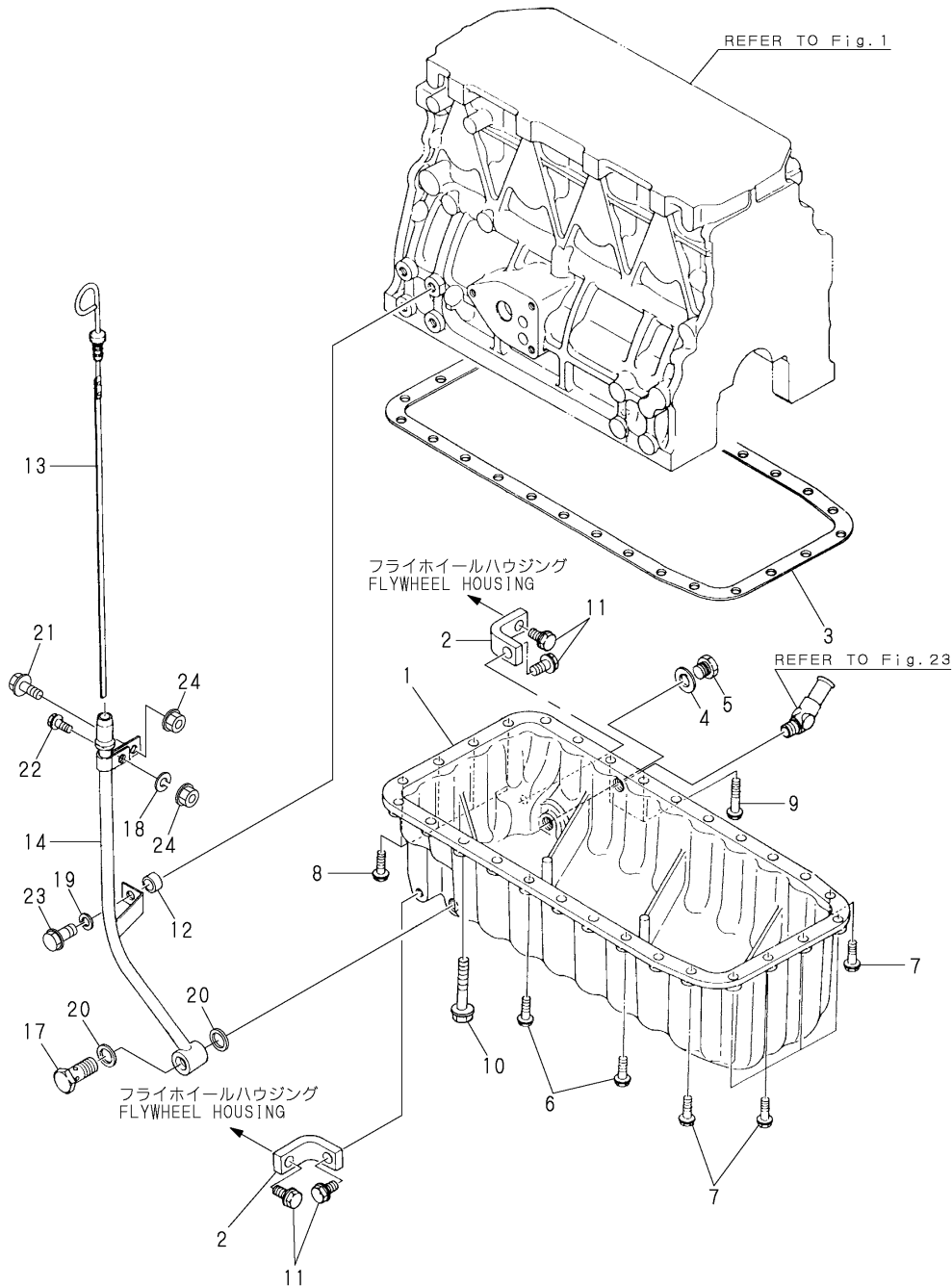
(A)=4JH3E (D)=4JH3-TE
 (B)=4JH3CE (E)=4JH3-TCE
 (C)=4JH3CE1 (F)=



REF.	LEV.	PARTS NO.	DESCRIPTION	QTY						I	R	
				(A)	(B)	(C)	(D)	(E)	(F)			
1	1	129670-01720	LUB.OIL SUMP	1	1	1						
2	1	129400-01730	SPACER, OIL SUMP	1	1	1						
3	1	26106-080162	BOLT M 8X 16 PLATED	4	4	4						
4	1	26106-080252	BOLT M 8X 25 PLATED	2	2	2						
5	1	26106-080452	BOLT M 8X 45 PLATED	24	24	24						
6	1	129670-34800	DIPSTICK,LUB.OIL	1	1	1						
7	1	129301-34830	SPACER	1	1	1						
8	1	129670-34880	GUIDE,DIPSTICK ASSY	1	1	1						
11	1	22190-140002	SEAL WASHER 14S	2	2	2						
12	1	22217-080000	SPRING WASHER 8	1	1	1						
13	1	22217-100000	SPRING WASHER 10	1	1	1						
14	1	23851-080000	JOIT BOLT 8	1	1	1						
15	1	26106-080162	BOLT M 8X 16 PLATED	1	1	1						
16	1	26106-100252	BOLT M10X 25 PLATED	1	1	1						
I 16-1	1	26106-100222	BOLT M10X 22 PLATED	1	1	1						N
		(A=E/#23083) (B=E/#23083) (C=E/#23083)										
17	1	26306-080002	NUT	1	1	1						
18	1	128170-34800	DIPSTICK, LUB. OIL	1	1	1						
I 18-1	1	129670-34810	DIPSTICK, LUB. OIL	1	1	1						N
		(A=E/#25294) (B=E/#25294) (C=E/#25294)										
19	1	129570-34880	GUIDE, DIPSTICK	1	1	1						
20	1	23414-160000	GASKET 16, ROUND	1	1	1						
21	1	23831-100000	UNION 10	1	1	1						

(A)=4JH3E (D)=4JH3-TE
 (B)=4JH3CE (E)=4JH3-TCE
 (C)=4JH3CE1 (F)=

Fig.9.LUB.OIL SUMP(4JH3-TE)



REF.	LEV.	PARTS NO.	DESCRIPTION	QTY						I	R	
				(A)	(B)	(C)	(D)	(E)	(F)			
1	1	129473-01700	PAN ASSY, OIL				1	1				
2	1	129470-01710	BRACKET				2	2				
3	1	129470-01750	GASKET				1	1				
4	1	23414-160021	GASKET 16				1	1				
5	1	23887-160002	PLUG 16,HEX.				1	1				
6	1	26106-080252	BOLT M 8X 25 PLATED				13	13				
7	1	26106-080252	BOLT M 8X 25 PLATED				6	6				
8	1	26106-080252	BOLT M 8X 25 PLATED				4	4				
9	1	26106-080402	BOLT M 8X 40 PLATED				2	2				
10	1	26106-080702	BOLT M 8X 70 PLATED				3	3				
11	1	26106-100252	BOLT M10X 25 PLATED				4	4				
12	1	129301-34830	SPACER				1	1				
13	1	129473-34850	LEVEL GAUGE				1	1				
14	1	129473-34880	GUIDE, DIPSTICK				1	1				
17	1	104214-39720	BOLT, PIPE JOINT				1	1				
18	1	22217-080000	SPRING WASHER 8				1	1				
19	1	22217-100000	SPRING WASHER 10				1	1				
20	1	23414-160000	GASKET 16, ROUND				2	2				
21	1	26106-080122	BOLT M 8X 12 PLATED				1	1				
22	1	26106-080162	BOLT M 8X 16 PLATED				1	1				
23	1	26106-100252	BOLT M10X 25 PLATED				1					
I	23-1	1	26106-100222	BOLT M10X 22 PLATED			1	1				N
24	1	26306-080002	NUT				2	2				

(D=E/#11059)

Fig.10.LABEL

(A)=4JH3E (D)=4JH3-TE
 (B)=4JH3CE (E)=4JH3-TCE
 (C)=4JH3CE1 (F)=

REF.	LEV.	PARTS NO.	DESCRIPTION	QTY						I	R
				(A)	(B)	(C)	(D)	(E)	(F)		
1	1	128171-07150	LABEL	1	1	1	1	1			
2	1	128296-07260	LABEL,DANGER	1	1	1	1	1			
3	1	128296-07350	LABEL	1	1	1	1	1			
4	1	123682-07851	LABEL, CW. TANK	1	1	1	1	1			
I	4-1	123682-07852	LABEL, CW. TANK	1	1	1	1	1			S
		(A=E/#26163)	(B=E/#26163)	(C=E/#26163)	(D=E/#13135)	(E=E/#13135)					
5	1	177088-02430	LABEL						1		
6	1	128296-07190	LABEL,LOOSE PARTS	1	1	1	1	1			
7	2	128296-07400	LABEL,DANGER	2	2	2	2	2			
8	2	128296-07420	LABEL,DANGER	1	1	1	1	1			
9	2	128296-07450	LABEL,DANGER	1	1	1	1	1			
10	2	128296-07460	LABEL,DANGER	1	1	1	1	1			
11	1	177075-02550	LABEL						1		
12	1	177073-02431	LABEL						1		
13	1	177050-02811	LABEL						1		
14	1	177061-02811	LABEL						1		
15	1	177050-02821	NAME-PLATE,STRAINER						1		
16	1	128296-07300	LABEL,DANGER						1	1	
17	1	196630-12980	LABEL						1	1	
18	1	129670-07560	LABEL, BSO2	1	1	1					
19	1	129671-07560	LABEL						1	1	
20	1	177088-02430	LABEL	1							Z
		(A=E/#25682)									
21	1	177073-02431	LABEL	1							Z
		(A=E/#25682)									

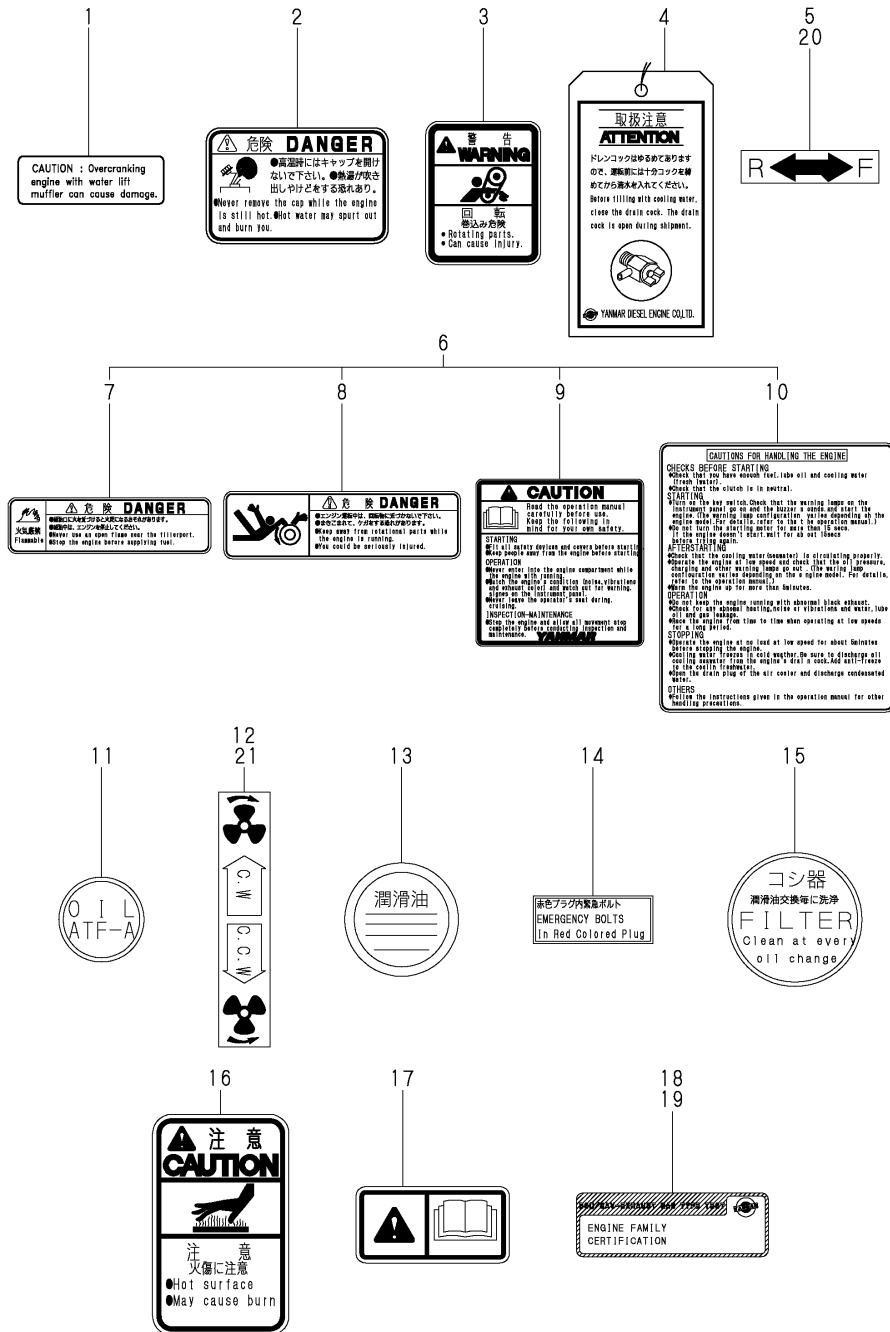
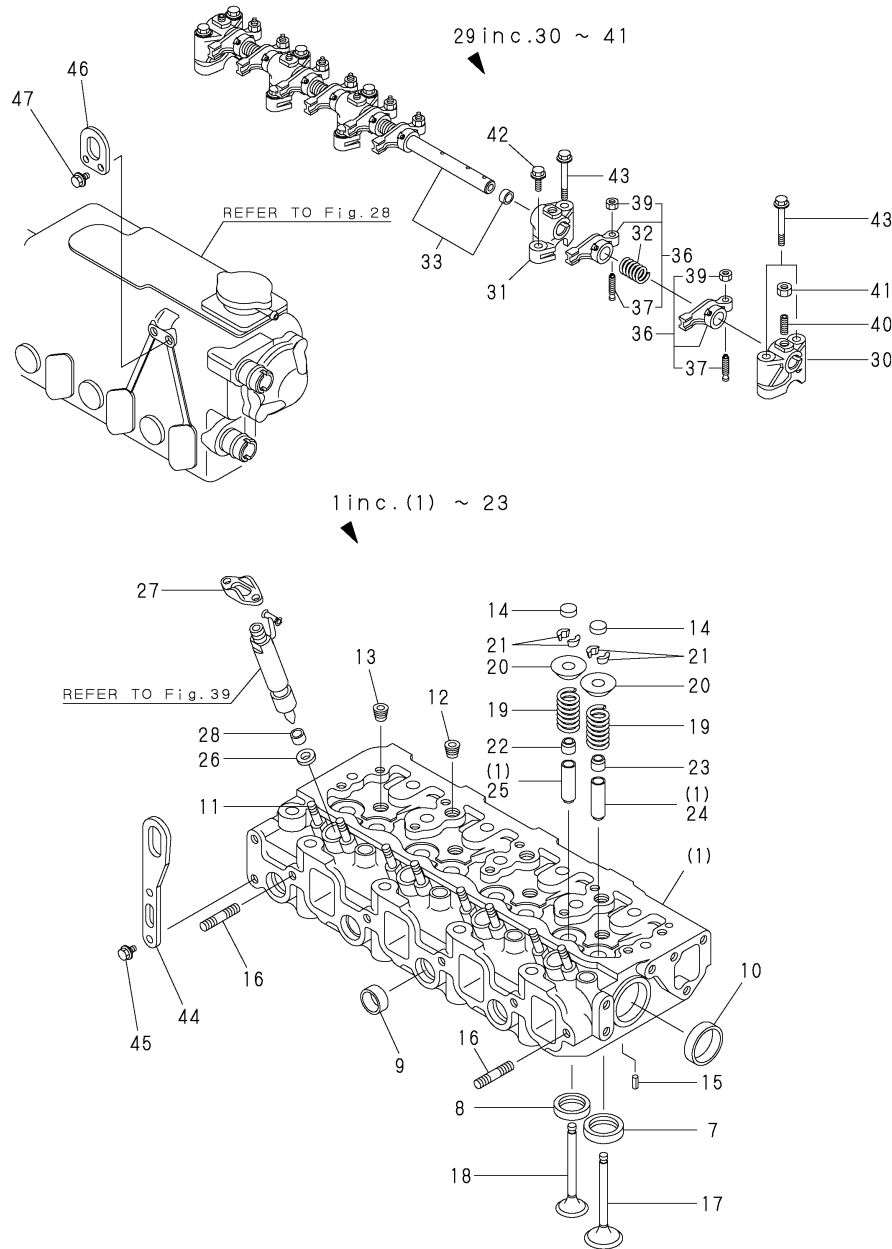


Fig.11.CYLINDER HEAD(4JH3E)

(A)=4JH3E (D)=4JH3-TE
 (B)=4JH3CE (E)=4JH3-TCE
 (C)=4JH3CE1 (F)=

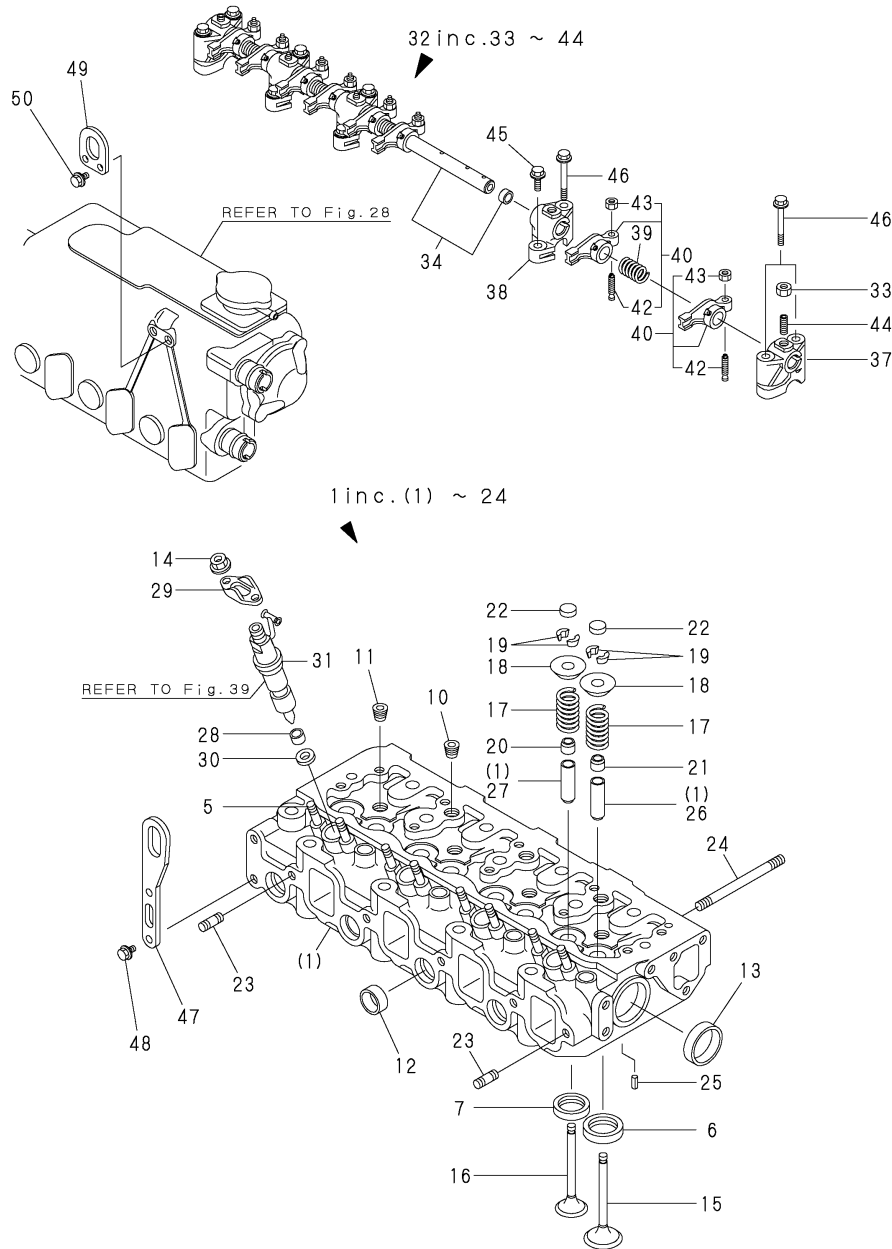


REF.	LEV.	PARTS NO.	DESCRIPTION	QTY						I	R
				(A)	(B)	(C)	(D)	(E)	(F)		
1	1	729670-11700	CYLINDER HEAD ASSY	1	1	1					
7	3	129470-11080	SEAT, VALVE (SUC	4	4	4					
8	3	129470-11090	SEAT, VALVE (EXH	4	4	4					
9	3	27241-220000	PLUG 22	4	4	4					
10	3	27241-400000	PLUG 40	2	2	2					
11	3	26216-060202	STUD M 6X 20 PLATED	8	8	8					
12	3	23871-020000	PLUG PT1/4,SCREW	3	3	3					
13	3	23871-030000	PLUG PT3/8,SCREW	4	4	4					
14	2	129150-11370	CAP, VALVE	8	8	8					
15	2	22351-060012	SPRING PIN 6X12	2	2	2					
16	2	26216-080222	STUD M 8X 22 PLATED	2	2	2					
17	2	129100-11100	VALVE, INTAKE	4	4	4					
18	2	129100-11110	VALVE, EXHAUST	4	4	4					
19	2	129795-11120	SPRING, VALVE	8	8	8					
20	2	129795-11180	RETAINER, SPRING	8	8	8					
21	2	27310-080001	COTTER 8	8	8	8					
22	2	121400-11340	SEAL, VALVE STEM	4	4	4					
23	2	124460-11340	SEAL, VALVE STEM	4	4	4					
24	1	120130-11860	GUIDE, VALVE	4	4	4					1
25	1	129150-11810	GUIDE, VALVE	4	4	4					1
26	1	119625-11880	SEAT, NOZZLE	4	4	4					
27	1	119625-11900	RETAINER	4	4	4					
I 28	1	119625-11870	PROTECTOR, NOZZLE	4	4	4					W
		(A=FROM 1ST) (B=FROM 1ST) (C=FROM 1ST)									
I 28-1	1	119625-11872	PROTECTOR, NOZZLE	4	4	4					R
		(A=E/#26163) (B=E/#26163) (C=E/#26163)									
I 28-2	1	119625-11870	PROTECTOR, NOZZLE	4	4	4					N
		(A=E/#26284) (B=E/#26284) (C=E/#26284)									
29	1	129555-11241	SHAFT ASSY, ROCKER	1	1	1					
30	2	129155-11260	SUPPORT, ROCKER ARM	2	2	2					
31	2	129155-11270	SUPPORT, ROCKER ARM	3	3	3					
32	2	129150-11280	SPRING	4	4	4					
33	2	129550-11290	SHAFT, ROCKER ARM	1	1	1					
36	2	729402-11650	ARM ASSY, ROCKER	8	8	8					
37	3	129150-11230	SCREW, VALVE	8	8	8					
39	3	129150-11750	NUT M8XP1.0	8	8	8					
40	2	26226-080182	STUD M 8X 18 PLATED	3	3	3					
I 40-1	2	119802-11280	STUD	3	3	3					R
		(A=E/#25626) (B=E/#25626) (C=E/#25626)									
41	2	26756-080002	LOCK NUT M 8 PLATED	3	3	3					
42	1	26106-080252	BOLT M 8X 25 PLATED	3	3	3					
43	1	26106-080502	BOLT M 8X 50 PLATED	7	7	7					
44	1	129900-07900	LIFTER, ENGINE	2	2	2					
45	1	26106-080162	BOLT M 8X 16 PLATED	4	4	4					
46	1	129470-07230	LIFTER, ENGINE	1	1	1					
47	1	26106-080162	BOLT M 8X 16 PLATED	2	2	2					

Remarks
 (1)REPAIR PART

Fig.12.CYLINDER HEAD(4JH3-TE)

(A)=4JH3E (D)=4JH3-TE
 (B)=4JH3CE (E)=4JH3-TCE
 (C)=4JH3CE1 (F)=

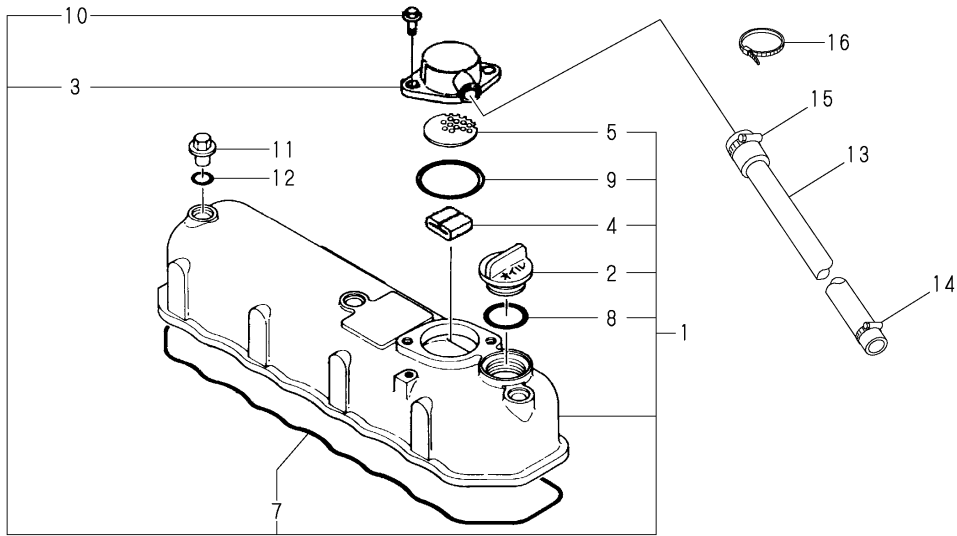


REF.	LEV.	PARTS NO.	DESCRIPTION	QTY						I	R	
				(A)	(B)	(C)	(D)	(E)	(F)			
1	1	729697-11700	HEAD ASSY, CYLINDER				1	1				
5	3	26216-060202	STUD M 6X 20 PLATED				8	8				
6	3	129795-11080	SEAT, SUCTION VALVE				4	4				
7	3	129795-11090	SEAT, EXHAUST VALVE				4	4				
10	3	23876-020000	PLUG 1/4				3	3				
11	3	23876-030000	PLUG PT3/8,SCREW				4	4				
12	3	27241-220000	PLUG 22				4	4				
13	3	27241-400000	PLUG 40				2	2				
14	2	26367-060002	NUT M 6				8	8				
15	2	129120-11100	INTAKE VALVE				4	4				
16	2	129120-11110	EXHAUST VALVE				4	4				
17	2	129795-11120	SPRING, VALVE				8	8				
18	2	129795-11180	RETAINER, SPRING				8	8				
19	2	27310-080001	COTTER 8				8	8				
20	2	121400-11340	SEAL, VALVE STEM				4	4				
21	2	124460-11340	SEAL, VALVE STEM				4	4				
22	2	129150-11370	CAP, VALVE				8	8				
23	2	26216-080222	STUD M 8X 22 PLATED				2	2				
24	2	26216-081002	STUD M 8X100 PLATED				2	2				
25	1	22351-060012	SPRING PIN 6X12				2	2				
26	1	120130-11860	GUIDE, VALVE				4	4				1
27	1	129150-11810	GUIDE, VALVE				4	4				1
28	1	119625-11870	PROTECTOR, NOZZLE				4	4				
I	28-1	1	119625-11872	PROTECTOR, NOZZLE			4	4				R
I	28-2	1	119625-11870	PROTECTOR, NOZZLE	(D=E/#13135)	(E=E/#13135)	4	4				N
					(D=E/#13197)	(E=E/#13197)						
29	1	119625-11900	RETAINER				4	4				
30	1	119625-11880	SEAT, NOZZLE				4	4				
31	1	129470-11920	GASKET				4	4				
32	1	129555-11241	SHAFT ASSY, ROCKER				1	1				
33	2	26756-080002	LOCK NUT M 8 PLATED				3	3				
34	2	129550-11290	SHAFT, ROCKER ARM				1	1				
37	2	129155-11260	SUPPORT, ROCKER ARM				2	2				
38	2	129155-11270	SUPPORT, ROCKER ARM				3	3				
39	2	129150-11280	SPRING				4	4				
40	2	729402-11650	ARM ASSY, ROCKER				8	8				
42	3	129150-11230	SCREW, VALVE				8	8				
43	3	129150-11750	NUT M8XP1.0				8	8				
44	2	26226-080182	STUD M 8X 18 PLATED				3	3				
I	44-1	2	119802-11280	STUD	(D=E/#12753)	(E=E/#12753)	3	3				R
45	1	26106-080252	BOLT M 8X 25 PLATED				3	3				
46	1	26106-080502	BOLT M 8X 50 PLATED				7	7				
47	1	129900-07900	LIFTER, ENGINE				2	2				
48	1	26106-080162	BOLT M 8X 16 PLATED				4	4				
49	1	129470-07230	LIFTER, ENGINE				1	1				
50	1	26106-080162	BOLT M 8X 16 PLATED				2	2				

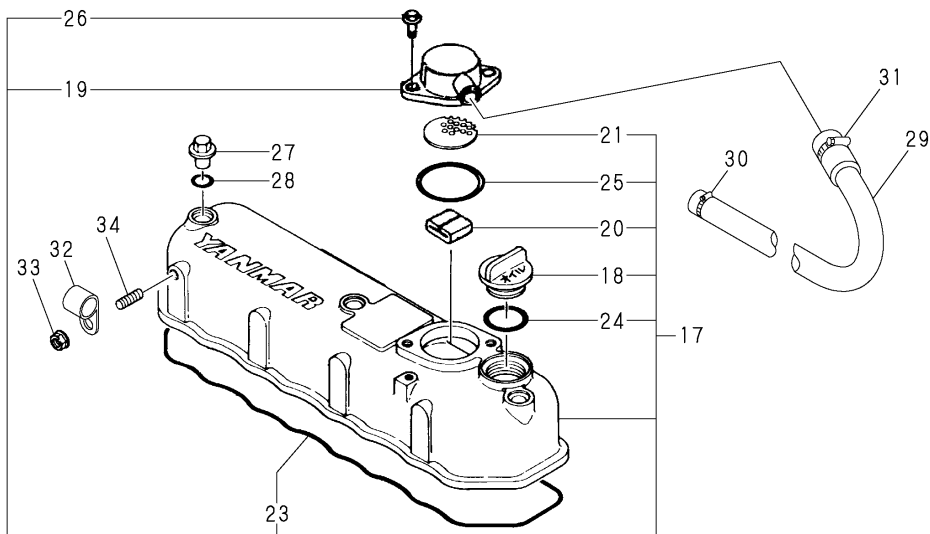
Remarks
 (1)REPAIR PART

Fig.13.BONNET

4JH3E/CE/CE1



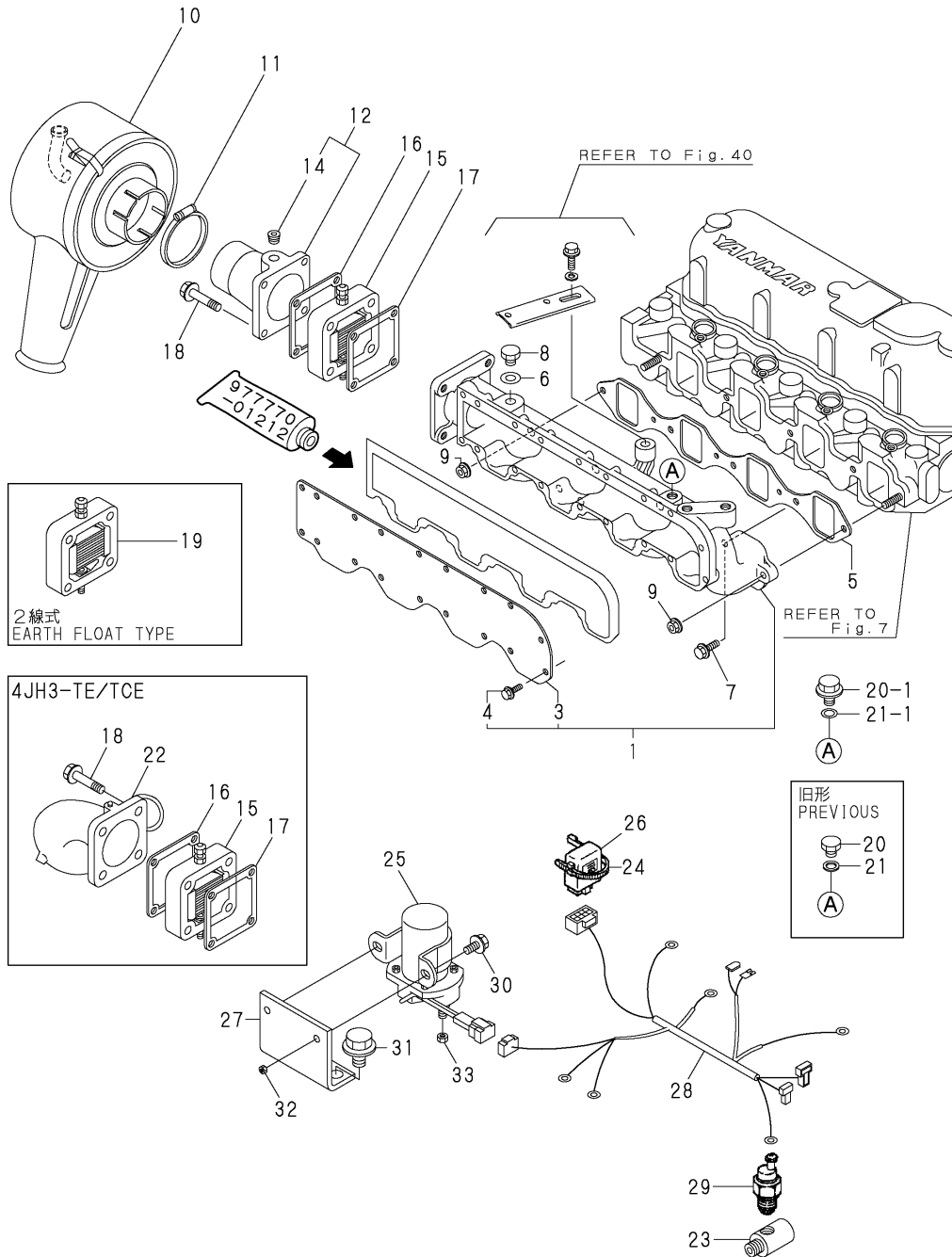
4JH3-TE/TCE



(A)=4JH3E (D)=4JH3-TE
 (B)=4JH3CE (E)=4JH3-TCE
 (C)=4JH3CE1 (F)=

REF.	LEV.	PARTS NO.	DESCRIPTION	QTY						I	R	
				(A)	(B)	(C)	(D)	(E)	(F)			
1	1	129400-11350	BONNET ASSY	1	1	1						
2	2	124160-01751	COVER,FILLER	1	1	1						
3	2	129150-03020	COVER, BREATHER	1	1	1						
4	2	129150-03070	BAFFLE, BREATHER	1	1	1						
5	2	129150-03080	PLATE, SHELTER	1	1	1						
7	2	129550-11310	GASKET, BONNET	1	1	1						
8	2	24311-000320	O-RING 1A P-32.0	1	1	1						
9	2	24341-000500	O-RING 1A S-50.0	1	1	1						
10	2	26106-080162	BOLT M 8X 16 PLATED	2	2	2						
11	1	124160-11360	KNOB	3	3	3						
12	1	24311-000120	O-RING 1A P 12.0	3	3	3						
13	1	129171-03090	PIPE, BREATHER	1	1	1						
14	1	129301-03660	CLAMP 16	1	1	1						
15	1	129410-03990	CLAMP 24	1	1	1						
16	1	121750-59890	CLAMP 140	1	1	1						
17	1	129577-11350	BONNET ASSY							1	1	
18	2	124160-01751	COVER,FILLER							1	1	
19	2	129150-03020	COVER, BREATHER							1	1	
20	2	129150-03070	BAFFLE, BREATHER							1	1	
21	2	129150-03080	PLATE, SHELTER							1	1	
23	2	129550-11310	GASKET, BONNET							1	1	
24	2	24311-000320	O-RING 1A P-32.0							1	1	
25	2	24341-000500	O-RING 1A S-50.0							1	1	
26	2	26106-080162	BOLT M 8X 16 PLATED							2	2	
27	1	124160-11360	KNOB							3	3	
28	1	24311-000120	O-RING 1A P 12.0							3	3	
29	1	129672-03090	PIPE, BREATHER							1	1	
30	1	129301-03660	CLAMP 16							1	1	
31	1	129410-03990	CLAMP 24							1	1	
32	1	23297-160081	RETAINER 16X 8							1	1	
33	1	26306-080002	NUT							1	1	
34	1	121850-01910	STUD 8X12							1	1	

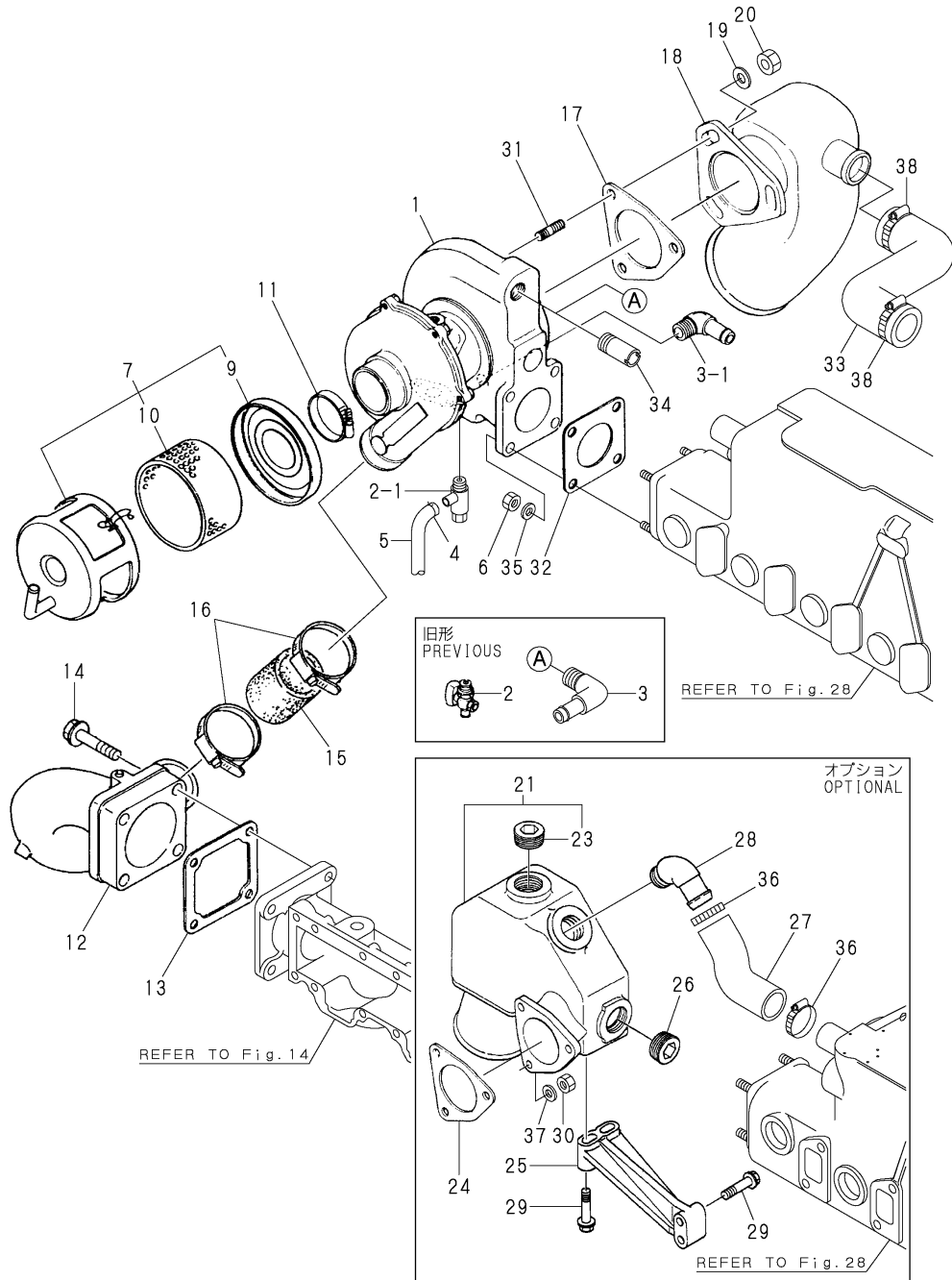
Fig.14.SUCTION MANIFOLD



(A)=4JH3E (D)=4JH3-TE
 (B)=4JH3CE (E)=4JH3-TCE
 (C)=4JH3CE1 (F)=

REF.	LEV.	PARTS NO.	DESCRIPTION	QTY						I	R
				(A)	(B)	(C)	(D)	(E)	(F)		
1	1	129470-12100	MANIFOLD, AIR INTAKE	1	1		1				
I 1-1	1	129698-12100	MANIFOLD, AIR INTAKE	1	1	1	1	1			R
		(A=E/#20576) (B=E/#20576) (D=E/#10001)									
3	2	129470-12120	CAP	1	1	1	1	1			
4	2	26476-060142	BOLT M 6X 14,TAPPING	18	18	18	18	18			
5	1	129470-12130	GASKET	1	1	1	1	1			
6	1	23414-100000	GASKET 10, ROUND	1	1	1	1	1			
7	1	26106-080202	BOLT M 8X 20 PLATED	3	3	3	3	3			
8	1	26106-100122	BOLT M10X 12 PLATED	1	1	1	1	1			
I 8-1	1	23887-100002	PLUG 10	1	1	1	1	1			N
		(A=FROM 1ST) (B=FROM 1ST) (C=FROM 1ST) (D=FROM 1ST)									
9	1	26306-080002	NUT		2	2	2	2	2		
10	1	129570-12300	SILENCER, INTAKE	1	1	1					
11	1	23000-054000	CLAMP 54	1	1	1					
12	1	129470-12210	JOINT ASSY	1	1	1					
14	2	23876-010000	PLUG PT1/8,SCREW	1	1	1					
15	1	129100-77500	HEATER, AIR	1	1	1	1	1			
16	1	129100-77510	GASKET, AIR HEATER	1	1	1	1	1			
17	1	129470-77590	GASKET, (NON-ASB.)	1	1	1	1	1			
I 17-1	1	129470-77590	GASKET, (NON-ASB.)						2	2	K
		(D=E/#10183)									
18	1	26106-080402	BOLT M 8X 40 PLATED	4	4	4	4	4			
19	1	129400-77501	AIR HEATER	1	1	1	1	1			
I 20	1	123482-01900	PLUG M8	1	1	1					W
		(A=E/#20576) (B=E/#20576) (D=E/#10001)									
I 20-1	1	26106-080122	BOLT M 8X 35	1	1	1	1	1			R
		(A=E/#20776) (B=E/#20776) (D=E/#10021)									
I 21	1	23414-080000	GASKET 8, ROUND	1	1		1				W
		(A=E/#20576) (B=E/#20576) (D=E/#10001)									
I 21-1	1	22190-080002	SEAL WASHER 8S	1	1	1	1	1			R
		(A=E/#20776) (B=E/#20776) (D=E/#10021)									
22	1	129571-18140	DUCT						1	1	
23	1	129671-49990	JOINT(R3/8)						1	1	
24	1	194250-51660	BAND 250						2	2	
25	1	119575-77060	RELAY,HEATER						1	1	
26	1	119575-77071	CONTROLLER						1	1	
27	1	129671-77510	STAY,RELAY						1	1	
28	1	129671-77920	WIRE,HARNESS						1	1	
29	1	124616-91370	SWITCH, THERMO						1	1	
30	1	26106-060122	BOLT M 6X 12 PLATED						3	3	
31	1	26106-100162	BOLT M10X 16 PLATED						2	2	
32	1	26716-060002	NUT 6						2	2	
33	1	26716-080002	NUT M 8						2	2	

Fig.15.TURBOCHARGER

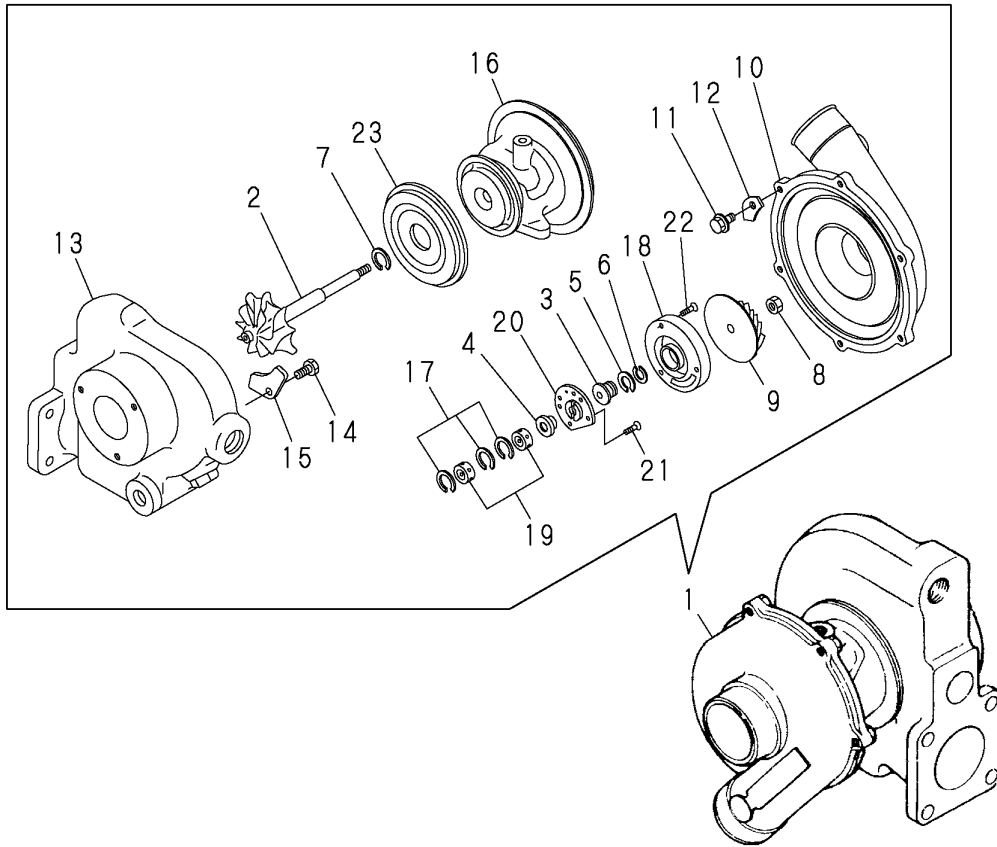


(A)=4JH3E (D)=4JH3-TE
 (B)=4JH3CE (E)=4JH3-TCE
 (C)=4JH3CE1 (F)=

REF.	LEV.	PARTS NO.	DESCRIPTION	QTY						I	R
				(A)	(B)	(C)	(D)	(E)	(F)		
1	1	129671-18001	T/C(-TE)				1	1			
2	1	128695-44090	COCK PT1/8				1				
I	2-1	1	129670-49290	COCK R1/8 ASSY			1	1			N
				(D=E/#10333)							
3	1	171007-49400	JOINT				2				
I	3-1	1	171007-49400	JOINT			1	1			K
				(D=E/#10005)							
4	1	124460-77680	RETAINER				1	1			
5	1	23061-070300	PIPE 7X 300				1	1			
6	1	26703-080002	NUT M 8				4	4			
7	1	129470-12301	SILENCER, INTAKE				1	1			
9	2	129470-12320	BRACKET				1	1			
10	2	129470-12330	ELEMENT ASSY				1	1			
11	1	23000-054000	CLAMP 54				1	1			
12	1	129571-18130	DUCT, AIR				1	1			
13	1	129470-77590	GASKET, (NON-ASB.)				1	1			
14	1	26106-080402	BOLT M 8X 40 PLATED				4	4			
15	1	129595-18141	HOSE, RUBBER				1	1			
16	1	23000-060000	CLAMP 60				2	2			
17	1	129472-13520	GASKET				1	1			
18	1	129671-13550	ELBOW, WATER MIXING				1	1			
19	1	22137-080000	WASHER 8, POLISHED				3	3			
20	1	26703-080002	NUT M 8				3	3			
21	1	129472-13500	ELBOW MIXING COMP.				1	1			
23	2	129472-13560	PLUG PT3/4				1	1			
24	1	129472-13520	GASKET				1	1			
25	1	129472-13550	SUPPORT				1	1			
26	1	129472-13560	PLUG PT3/4				1	1			
27	1	129472-49050	PIPE				1				
I	27-1	1	129671-49050	PIPE			1	1			R
				(D=E/#11493)							
28	1	123325-49421	JOINT, PIPE				1	1			
29	1	26106-080352	BOLT M 8X 35 PLATED				4	4			
30	1	26703-080002	NUT M 8				3	3			
31	1	128170-13600	STUD				3	3			
32	1	129472-18090	GASKET				1	1			
33	1	129472-49040	PIPE, C. SEA WATER				1				
I	33-1	1	129673-49050	CSW PIPE			1	1			R
				(D=E/#10799)							
I	34	1	104407-44480	JOINT			1	1			W
				(D=E/#10005)							
I	35	1	22133-080000	WASHER 8			4	4			W
				(D=E/#10021)							
I	36	1	23000-035000	CLAMP 35			2				W
				(D=E/#10183)							
I	36-1	1	129670-49500	HOSE CLIP 38			2	2			R
				(D=E/#11597)							
I	37	1	22137-080000	WASHER 8, POLISHED			3	3			W
				(D=E/#10183)							
38	1	23000-035000	CLAMP 35				2				
I	38-1	1	129670-49500	HOSE CLIP 38			2	2			R
				(D=E/#11597)							

Fig.16.TURBOCHARGER COMPONENT PART

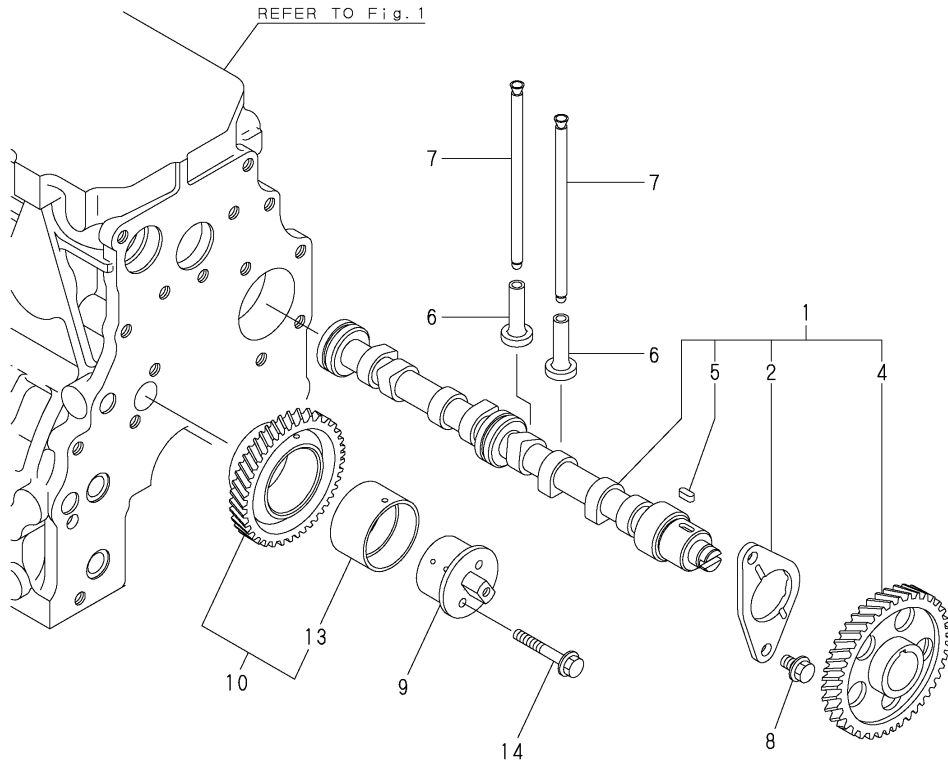
(A)=4JH3E (D)=4JH3-TE
 (B)=4JH3CE (E)=4JH3-TCE
 (C)=4JH3CE1 (F)=



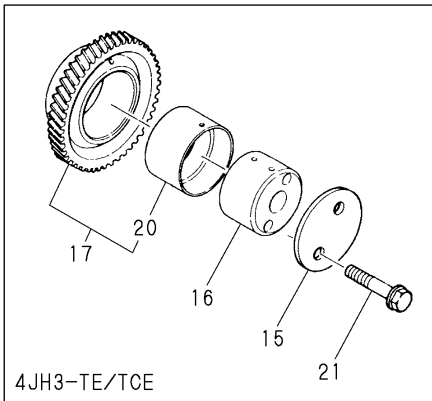
REF.	LEV.	PARTS NO.	DESCRIPTION	QTY						I	R
				(A)	(B)	(C)	(D)	(E)	(F)		
1	1	129671-18001	T/C(-TE				1	1			
2	2	XNN131614	SHAFT				1	1			
3	2	XNN131578	SHELTER				1	1			
4	2	XNN131579	BUSH, THRUST				1	1			
5	2	XNB131008	SEAL RING,BLOW.SIDE				1	1			
6	2	XNN131008	SEAL RING,BLOW.SIDE				1	1			
7	2	XNN131536	SEALING				1	1			
8	2	XNN131108	LOCK NUT				1	1			
9	2	XNN136613	IMPELLER				1	1			
10	2	XNN133911	HOUSING,BLOWER				1	1			
11	2	XNB134007	BOLT				6	6			
12	2	XNN134035	BRACKET				6	6			
13	2	XNE928727	HOUSING				1	1			
14	2	XNN137007	BOLT M8				5	5			
15	2	XNN137423	RETAINER				5	5			
16	2	XNE923383	HOUSING,BEARING				1	1			
17	2	XNN133208	CIRCLIP				3	3			
18	2	XNN133022	PLATE, SEAL				1	1			
19	2	XNN133506	METAL, FLOATING				2	2			
20	2	XNN133596	METAL,THRUST				1	1			
21	2	XNB133206	SCREW				4	4			
22	2	XNB133208	SCREW(SEAL PLATE				3	3			
23	2	XNN137055	HEAT PROTECTOR				1	1			

(A)=4JH3E (D)=4JH3-TE
 (B)=4JH3CE (E)=4JH3-TCE
 (C)=4JH3CE1 (F)=

Fig.17.CAMSHAFT



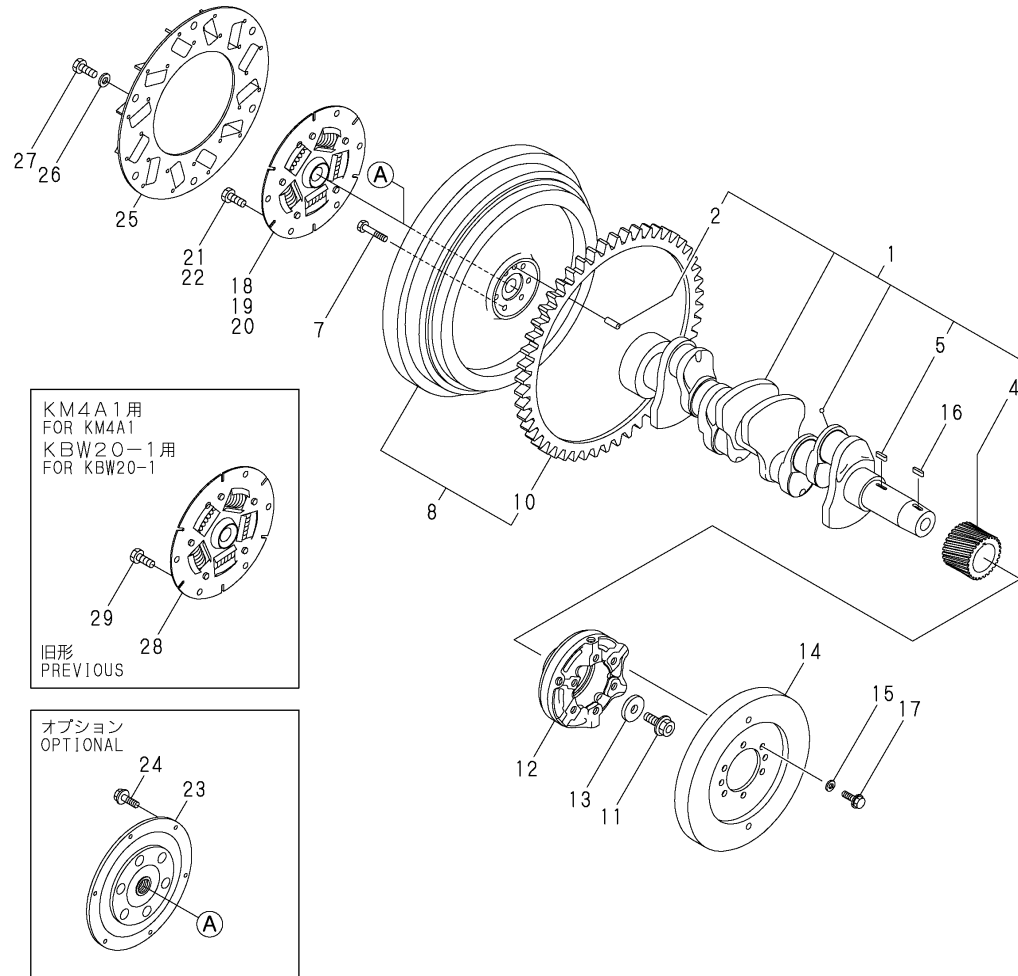
REF.	LEV.	PARTS NO.	DESCRIPTION	QTY						I	R
				(A)	(B)	(C)	(D)	(E)	(F)		
1	1	129470-14000	SHAFT ASSY, CAM	1	1	1					
1A	1	129472-14000	CAMSHAFT CMP					1	1		
2	2	129150-02450	METAL,THRUST(CAM	1	1	1	1	1	1		
4	2	129150-14101	GEAR, CAMSHAFT	1	1	1	1	1	1		
5	2	22512-070140	KEY 7X 14	1	1	1	1	1	1		
6	1	129150-14200	TAPPET	8	8	8	8	8	8		
7	1	129150-14400	ROD, PUSH	8	8	8					
7A	1	119171-14400	PUSH ROD					8	8		
8	1	26106-080142	BOLT M 8X 14 PLATED	2	2	2	2	2	2		
9	1	129100-25061	SHAFT, IDLE GEAR	1	1	1					
10	1	129150-25101	GEAR W/BUSH	1	1	1					
13	2	129150-25920	BUSH, IDLE GEAR	1	1	1					1
14	1	26106-080452	BOLT M 8X 45 PLATED	2	2	2					
15	1	129150-25020	RETAINER					1	1		
16	1	129150-25052	SHAFT, IDLE					1	1		
17	1	129672-25100	GEAR ASSY, IDLE					1	1		
20	2	129573-25090	BUSH, IDLE GEAR					1	1		1
21	1	119174-25060	BOLT M8X45,COLLAR					2	2		



Remarks
 (1)REPAIR PART

(A)=4JH3E (D)=4JH3-TE
 (B)=4JH3CE (E)=4JH3-TCE
 (C)=4JH3CE1 (F)=

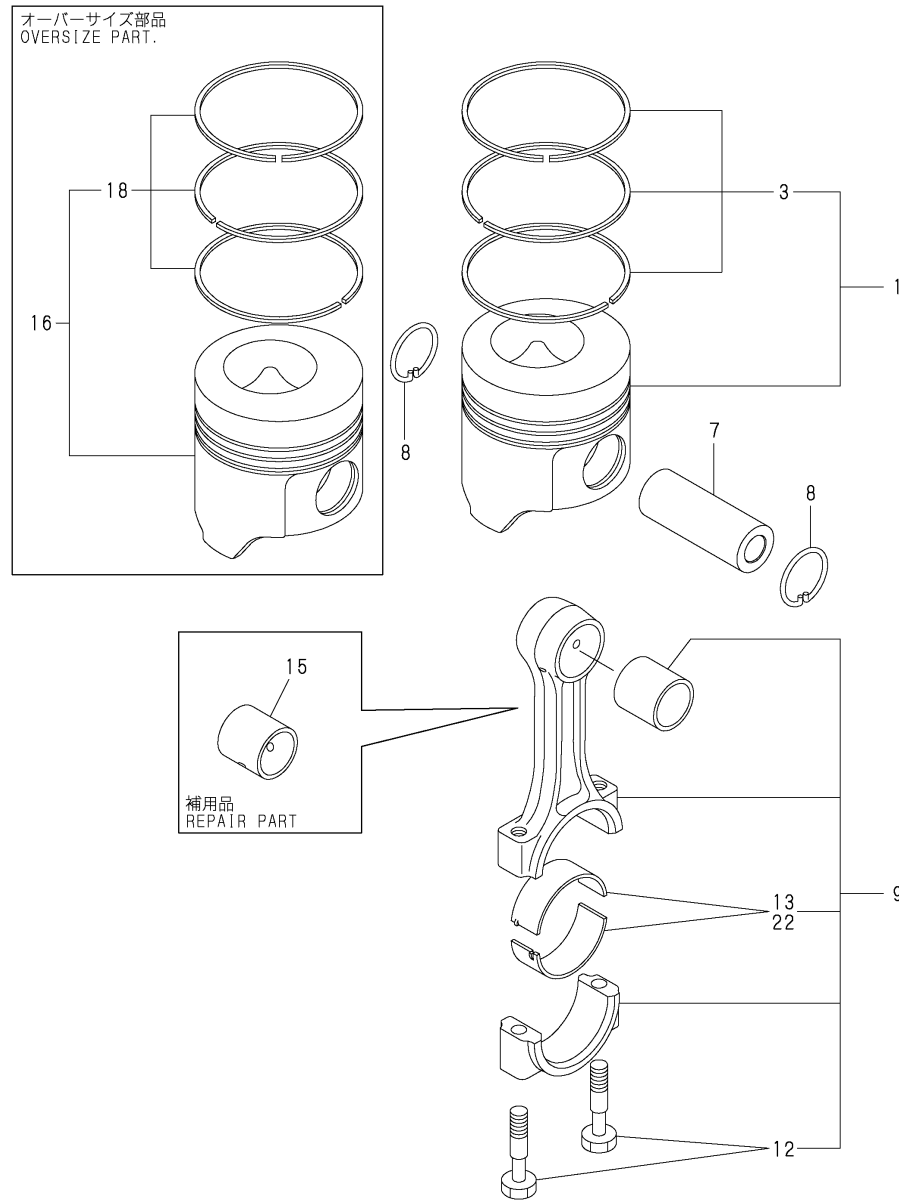
Fig.18.CRANKSHAFT & FLYWHEEL



REF.	LEV.	PARTS NO.	DESCRIPTION	QTY						I	R
				(A)	(B)	(C)	(D)	(E)	(F)		
1	1	129407-21000	CRANKSHAFT ASSY	1	1	1					
1A	1	129418-21000	CRANKSHAFT ASSY					1	1		
2	2	129100-01580	PARALLEL PIN 8X16	1	1	1	1	1	1		
4	2	129150-21200	GEAR, CRANKSHAFT	1	1	1	1	1	1		
5	2	22512-070140	KEY 7X 14	1	1	1	1	1	1		
7	1	121111-21501	BOLT, FLYWHEEL	6	6	6	6	6	6		
8	1	129670-21590	FLYWHEEL ASSY	1	1	1					
8A	1	129574-21590	FLYWHEEL ASSY						1	1	
10	2	119865-21600	GEAR, RING	1	1	1					
10A	2	124550-21600	RING GEAR						1	1	
11	1	121850-21130	BOLT, FLYWHEEL	1	1	1	1	1	1		
12	1	129693-21650	V-PULLEY	1	1	1	1	1	1		
13	1	129693-21660	WASHER	1	1	1	1	1	1		
14	1	129693-28010	DAMPER	1	1	1	1	1	1		
15	1	22217-080000	SPRING WASHER 8	6	6	6	6	6	6		
16	1	22512-070160	KEY 7X 16	1	1	1	1	1	1		
17	1	26106-080162	BOLT M 8X 16 PLATED	6	6	6	6	6	6		
18	1	177070-03520	DISC, DAMPER	1							
19	1	177099-03500	DISK, (NON-ASSB.)		1	1					
20	1	177090-03500	DISC, DAMPER					1	1		
21	1	26106-080162	BOLT M 8X 16 PLATED	6				6	6		
22	1	26013-080142	BOLT M 8X 14		6	6					
23	1	129673-81760	DISK, DAMPER					1	1		
24	1	26106-080202	BOLT M 8X 20 PLATED					6	6		
25	1	177073-03191	FAN	1					1		
I 25-1	1	129670-81850	FAN (FLYWHEEL	1					1		R
		(A=E/#21955)							(D=E/#10399)		
26	1	22217-080000	SPRING WASHER 8	6				6			
27	1	26106-080162	BOLT M 8X 16 PLATED	6				6			
I 28	1	177090-03500	DISC, DAMPER	1							Z
		(A=E/#25682)									
I 29	1	26106-080162	BOLT M 8X 16 PLATED	6							Z
		(A=E/#25682)									

(A)=4JH3E (D)=4JH3-TE
 (B)=4JH3CE (E)=4JH3-TCE
 (C)=4JH3CE1 (F)=

Fig.19.PISTON(4JH3E)

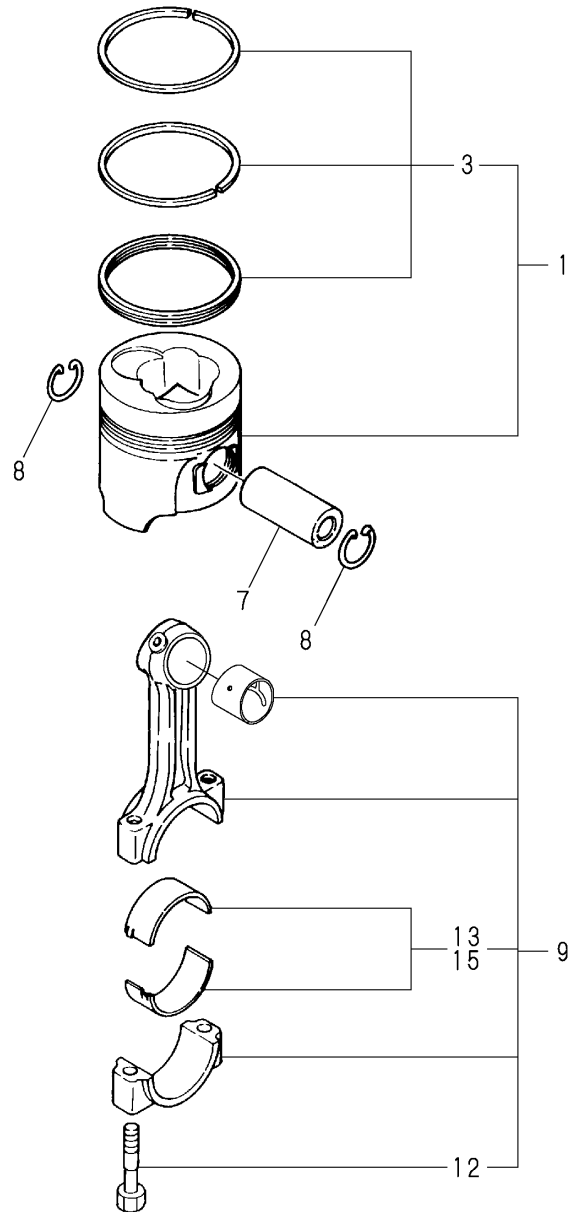


REF.	LEV.	PARTS NO.	DESCRIPTION	QTY						I	R
				(A)	(B)	(C)	(D)	(E)	(F)		
1	1	129670-22000	PISTON CMP	4	4	4					
1-1	1	129690-22000	PISTON W/RINGS	4	4	4					N
		(A=E/#23803)	(B=E/#23803)	(C=E/#23803)							
3	2	129002-22510	RING SET, PISTON	4	4	4					
3-1	2	129690-22510	RING SET, PISTON	4	4	4					N
		(A=E/#23803)	(B=E/#23803)	(C=E/#23803)							
7	1	129202-22300	PIN,PISTON	4	4	4					
8	1	22252-000260	CIRCLIP 26	8	8	8					
9	1	729402-23100	ROD ASSY, CONNECTING	4	4	4					
12	2	121550-23200	BOLT, CONNECTING ROD	8	8	8					
13	2	129150-23600	BEARING, CRANKPIN	4	4	4					
15	1	129100-23910	BUSH, PISTON PIN	4	4	4					1
16	1	129670-22090	PISTON O.S 0.25	4	4	4					3
18	2	129002-22950	RING SET O.S=0.25	4	4	4					3
22	1	129150-23610	METAL.PIN US=0.25	4	4	4					2

Remarks
 (1)REPAIR PART
 (2)UNDER SIZE(U.S=0.25)PART.
 (3)OVER SIZE(O.S=0.25)PART.

(A)=4JH3E (D)=4JH3-TE
 (B)=4JH3CE (E)=4JH3-TCE
 (C)=4JH3CE1 (F)=

Fig.20.PISTON(4JH3-TE)

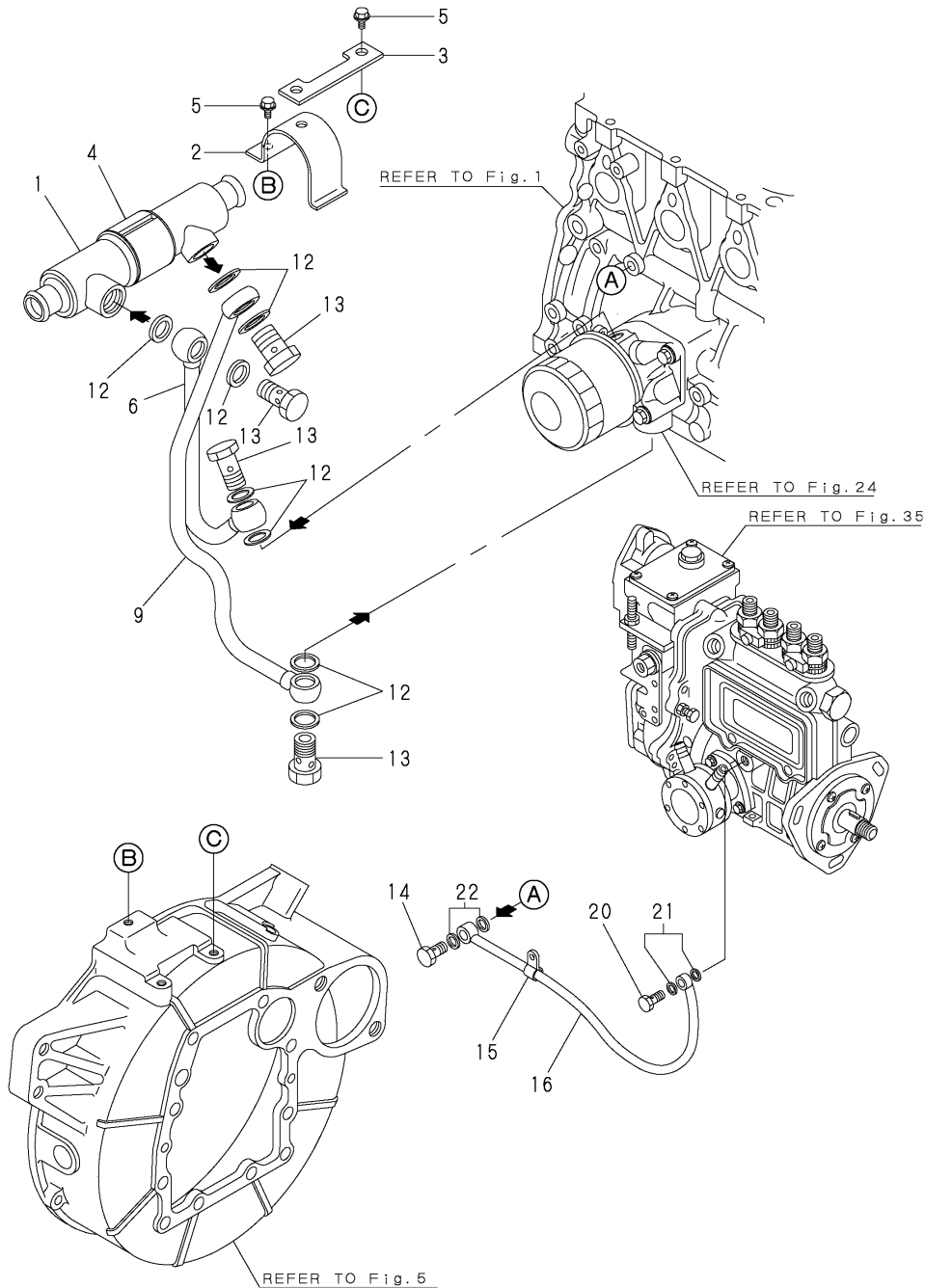


REF.	LEV.	PARTS NO.	DESCRIPTION	Q'TY						I	R	
				(A)	(B)	(C)	(D)	(E)	(F)			
1	1	129673-22000	PISTON W/RINGS				4				2	
I 1-1	1	129671-22000	PISTON W/RINGS				4	4			N	2
			(D=E/#11907)									
3	2	729692-22510	PISTON RING CMP				4	4				
7	1	129573-22301	PIN, PISTON				4	4				
8	1	22252-000280	CIRCLIP 28				8	8				
9	1	729573-23700	ROD ASSY, CONNECTING				4	4				
12	2	121550-23200	BOLT, CONNECTING ROD				8	8				
13	2	729150-23600	METAL, CRANKPIN				4	4				
15	1	129150-23610	METAL.PIN US=0.25				4	4				1

Remarks
 (1)UNDER-SIZED(0.25) PART
 (2)OVER SIZED PART IS NOT SET UP.

(A)=4JH3E (D)=4JH3-TE
 (B)=4JH3CE (E)=4JH3-TCE
 (C)=4JH3CE1 (F)=

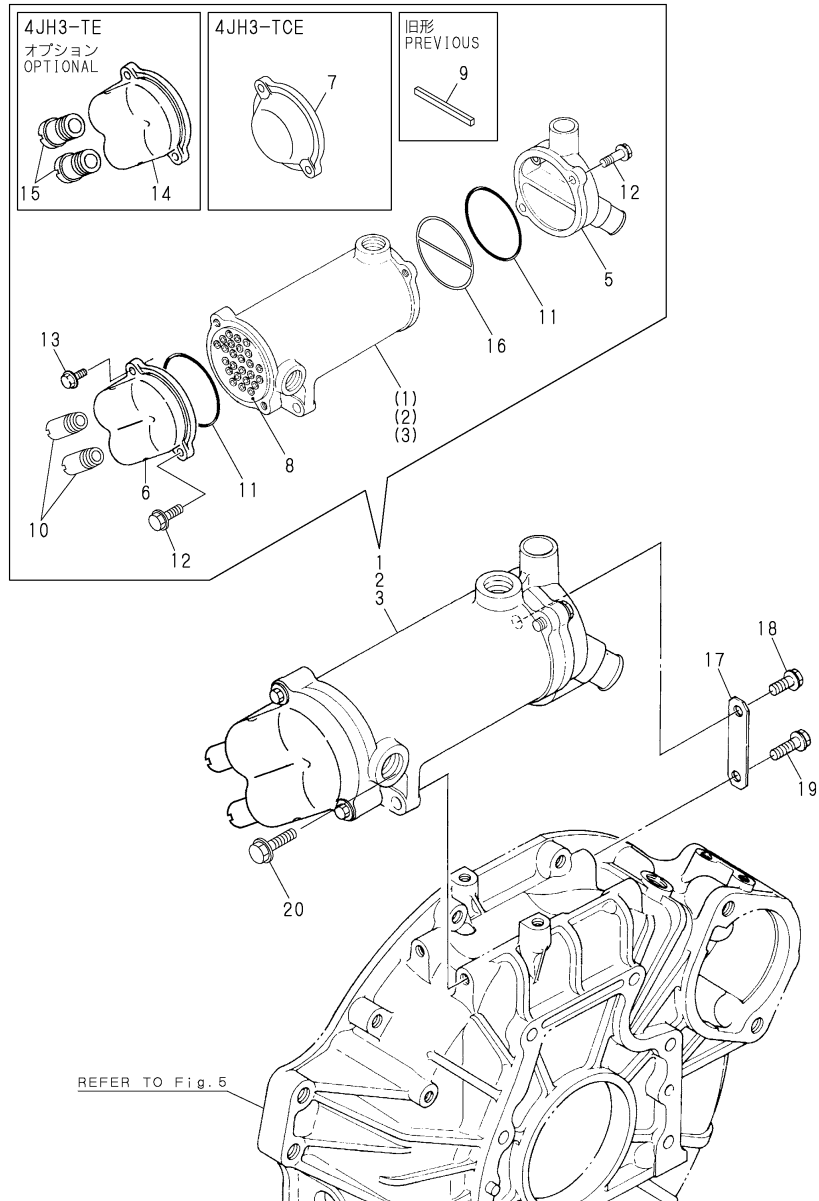
Fig.21.LUB.OIL COOLER(4JH3E)



REF.	LEV.	PARTS NO.	DESCRIPTION	QTY						I	R
				(A)	(B)	(C)	(D)	(E)	(F)		
1	1	129670-33000	LO COOLER CMP	1	1	1					
2	1	129670-33510	SUPPORT A	1	1	1					
3	1	129670-33520	SUPPORT B	1	1	1					
4	1	129670-33530	RUBBER SHEET	1	1	1					
5	1	26106-080122	BOLT M 8X 12 PLATED	3	3	3					
6	1	129670-39201	LO PIPE CMP,A	1	1	1					
9	1	129670-39300	LO PIPE CMP,B	1	1	1					
12	1	23414-200000	GASKET 20, ROUND	8	8	8					
13	1	23857-150000	JOINT BOLT 15	4	4	4					
14	1	124160-39140	BOLT 10, PIPE JOINT	1	1	1					
15	1	124450-39240	RETAINER, PIPE	1	1	1					
16	1	129470-39452	PIPE,LUB OIL	1	1	1					
20	1	124550-59820	BOLT 8, PIPE JOINT	1	1	1					
21	1	22190-080002	SEAL WASHER 8S	2	2	2					
22	1	23414-100000	GASKET 10, ROUND	2	2	2					

(A)=4JH3E (D)=4JH3-TE
 (B)=4JH3CE (E)=4JH3-TCE
 (C)=4JH3CE1 (F)=

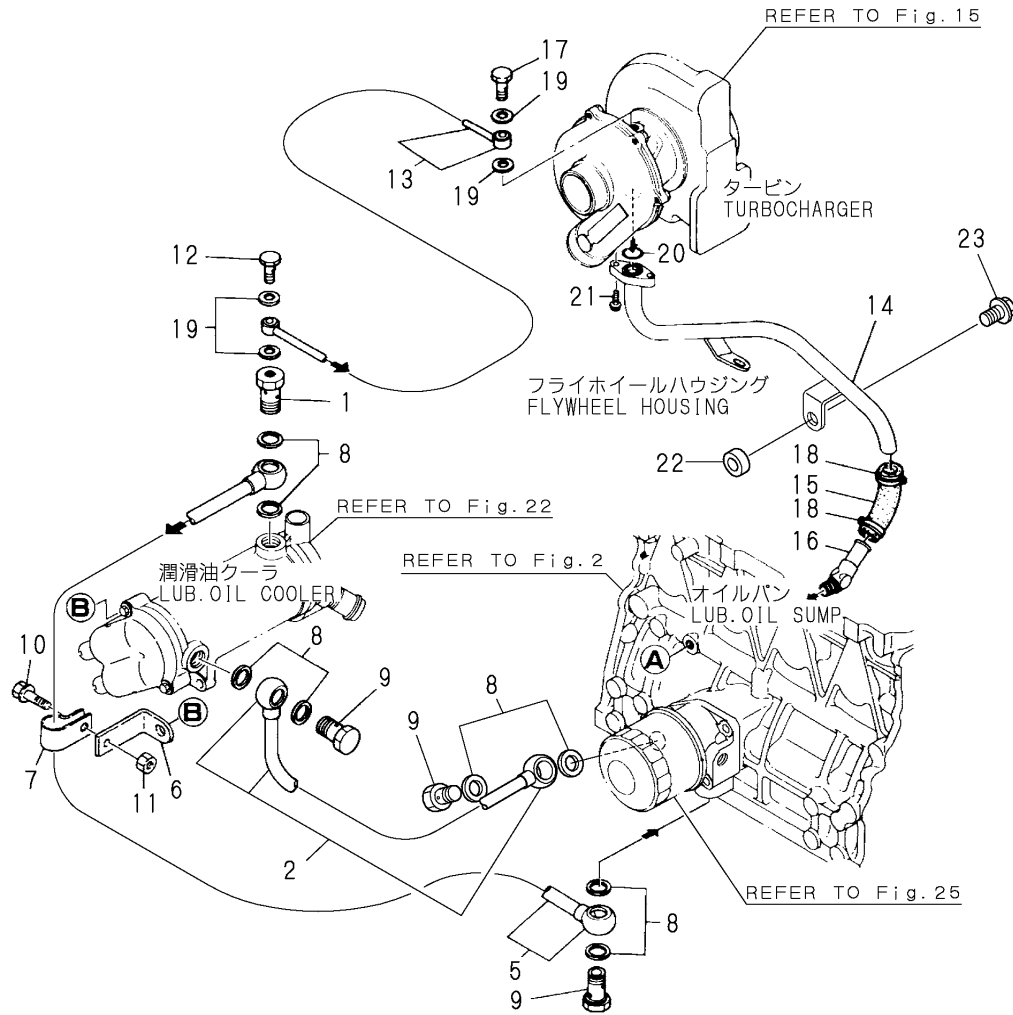
Fig.22.LUB.OIL COOLER(4JH3-TE)



REF.	LEV.	PARTS NO.	DESCRIPTION	QTY						I	R	
				(A)	(B)	(C)	(D)	(E)	(F)			
1	1	129673-33000	COOLER, LUB OIL				1					
I 1-1	1	129673-33001	COOLER ASSY, LUB.OIL (D=E/#13135)				1					R
2	1	129671-33000	COOLER ASSY, OIL						1			
I 2-1	1	129671-33001	COOLER ASSY, OIL (E=E/#13135)						1			R
3	1	129673-33100	COOLER, LUB OIL				1					1
I 3-1	1	129673-33101	COOLER ASSY, LUB.OIL (D=E/#13135)				1					R 1
5	2	129673-33020	COVER A				1	1				
6	2	129673-33030	COVER B				1					
7	2	129670-44420	COVER B,CFW COOLER					1				
8	2	129673-33040	CORE, LUB OIL COOLER				1	1				
I 8-1	2	129673-33041	CORE, LUB OIL COOLER (D=E/#13135) (E=E/#13135)				1	1				F 2
9	3	129270-44490	SEALING (D=FROM 1ST)						1			W
I 9-1	3	129270-44490	SEALING (D=E/#13135) (E=E/#13135)						1	1		Z
10	2	104271-49060	JOINT						2			
11	2	24321-000800	O-RING 1A G-80.0						2	2		
12	2	26106-080252	BOLT M 8X 25 PLATED						3	3		
13	2	26106-080302	BOLT M 8X 30 PLATED						1	1		
14	2	129673-33130	COVER B						1			1
15	2	123325-49421	JOINT, PIPE						2			1
I 16	2	129673-33050	GASKET(OIL COOLER) (D=E/#13135) (E=E/#13135)						1	1		W
17	1	129474-33500	CLAMP						1	1		
18	1	26106-080142	BOLT M 8X 14 PLATED						1	1		
19	1	26106-080162	BOLT M 8X 16 PLATED						1	1		
20	1	26106-080252	BOLT M 8X 25 PLATED						2	2		

Remarks
 (1)OPTIONAL
 (2)INTERCHANGEABLE BY SIMULTANEOUS
 REPLACEMENT WITH REF.NO.16.

Fig.23.LUB.OIL PIPE(4JH3-TE)

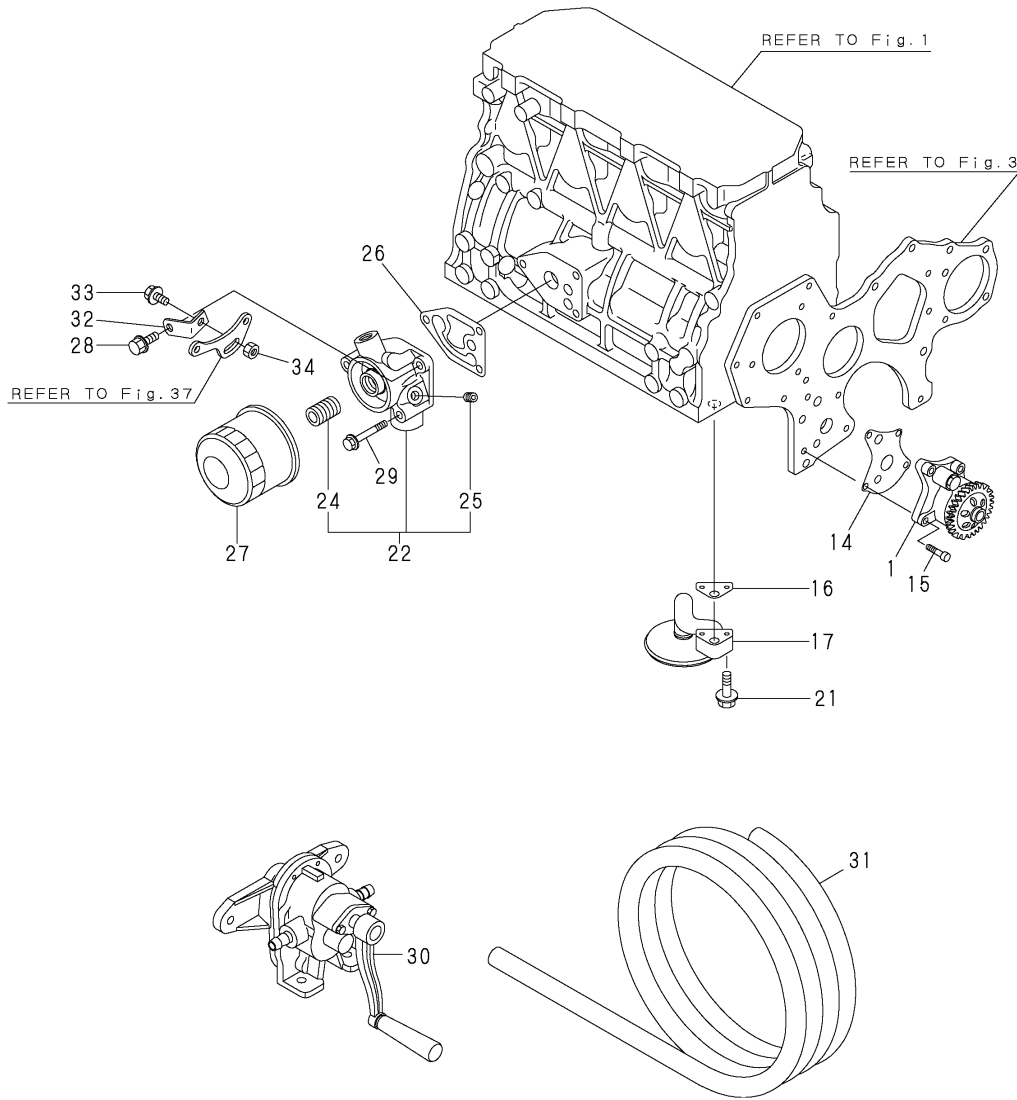


(A)=4JH3E (D)=4JH3-TE
 (B)=4JH3CE (E)=4JH3-TCE
 (C)=4JH3CE1 (F)=

REF.	LEV.	PARTS NO.	DESCRIPTION	----- QTY -----						I	R
				(A)	(B)	(C)	(D)	(E)	(F)		
1	1	129472-39020	BOLT M20 X M10				1	1			
2	1	129693-39250	PIPE, LUB. OIL				1	1			
5	1	129673-39300	PIPE, LUB. OIL				1	1			
6	1	129495-39350	STAY				1	1			
7	1	129495-39360	CLAMP				1	1			
8	1	23414-200000	GASKET 20, ROUND				8	8			
9	1	23857-150000	JOINT BOLT 15				3	3			
10	1	26106-060162	BOLT M 6X 16 PLATED				1	1			
11	1	26756-060002	LOCK NUT 6				1	1			
12	1	121252-39150	BOLT, PIPE JOINT				1	1			
13	1	129474-39450	PIPE, LUB OIL				1	1			
14	1	129693-39600	PIPE, LUB. OIL				1	1			
15	1	129792-39610	JOINT, RUBBER				1	1			
16	1	129472-39620	ELBOW				1	1			
17	1	124413-39710	BOLT M 10				1	1			
18	1	23000-025000	CLAMP 25				2	2			
19	1	23414-100000	GASKET 10, ROUND				4	4			
20	1	24314-000180	O-RING 4C P-18.0				1	1			
21	1	26106-060162	BOLT M 6X 16 PLATED				2	2			
22	1	129301-34830	SPACER				1	1			
23	1	26106-100252	BOLT M10X 25 PLATED				1	1			

Fig.24.LUB.OIL SYSTEM(4JH3E)

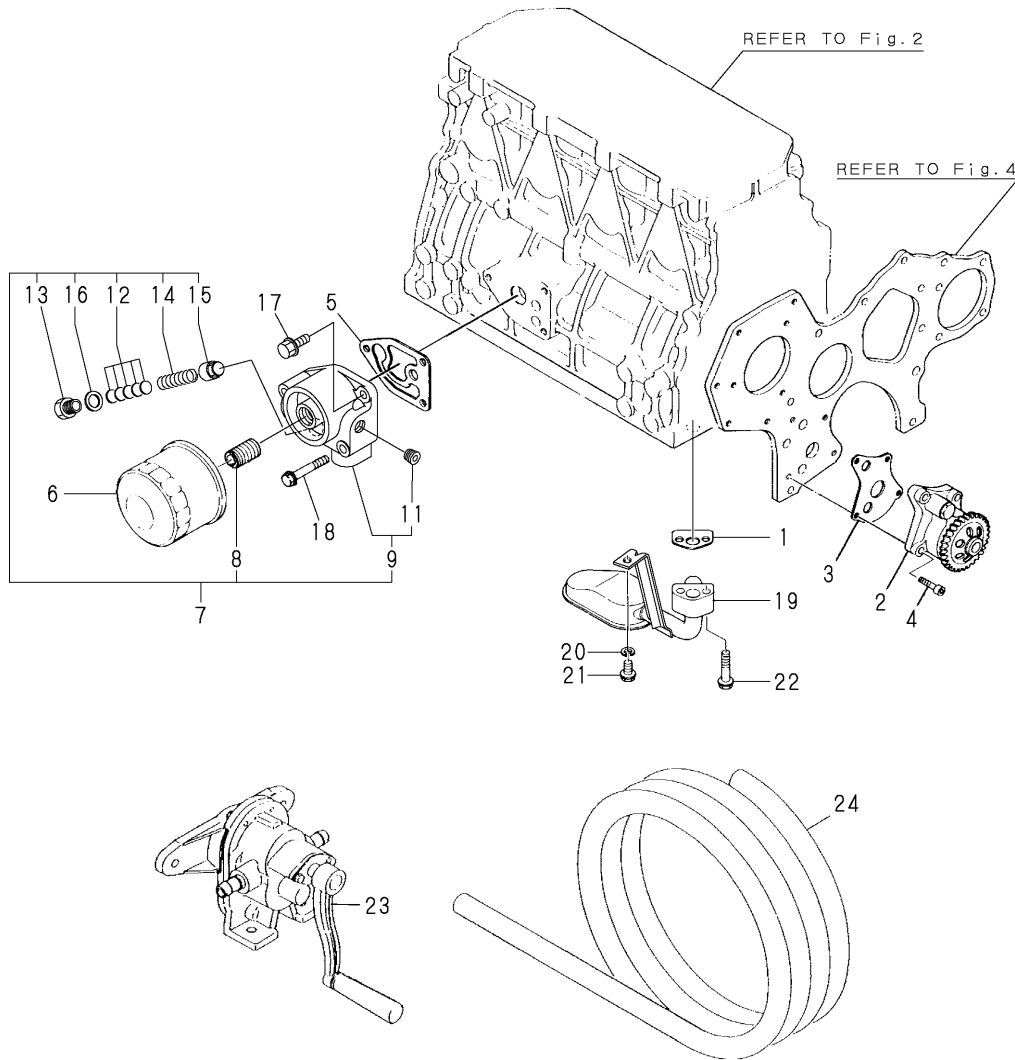
(A)=4JH3E (D)=4JH3-TE
 (B)=4JH3CE (E)=4JH3-TCE
 (C)=4JH3CE1 (F)=



REF.	LEV.	PARTS NO.	DESCRIPTION	QTY						I	R
				(A)	(B)	(C)	(D)	(E)	(F)		
1	1	129670-32000	PUMP LUB.OIL ASSY	1	1	1					
14	1	129150-32020	GASKET, L.O. PUMP	1	1	1					
15	1	26450-060252	BOLT M 6X 25	4	4	4					
16	1	129150-35041	GASKET, (NON-ASB.)	1	1	1					
17	1	129670-35090	PIPE,OIL INLET ASSY	1	1	1					
21	1	26106-080352	BOLT M 8X 35 PLATED	2	2	2					
22	1	129670-35101	BRACKET ASSY,L.O.F	1	1	1					
24	2	129100-35140	STUD	1	1	1					
25	2	23876-020000	PLUG 1/4	1	1	1					
26	1	129470-35121	GASKET	1	1	1					
27	1	129150-35151	FILTER 80X80L	1	1	1					
28	1	26106-080202	BOLT M 8X 20 PLATED	1	1	1					
29	1	26106-080502	BOLT M 8X 50 PLATED	2	2	2					
30	1	124413-39100	PUMP, OIL SUMP	1	1	1					
31	1	43720-001220	PIPE	1	1	1					
I 32	1	129590-59200	CLAMP	1	1	1					W
		(A=FROM 1ST) (B=FROM 1ST) (C=FROM 1ST)									
I 33	1	26106-080162	BOLT M 8X 16 PLATED	1	1	1					W
		(A=FROM 1ST) (B=FROM 1ST) (C=FROM 1ST)									
I 34	1	26306-080002	NUT	1	1	1					W
		(A=FROM 1ST) (B=FROM 1ST) (C=FROM 1ST)									

(A)=4JH3E (D)=4JH3-TE
 (B)=4JH3CE (E)=4JH3-TCE
 (C)=4JH3CE1 (F)=

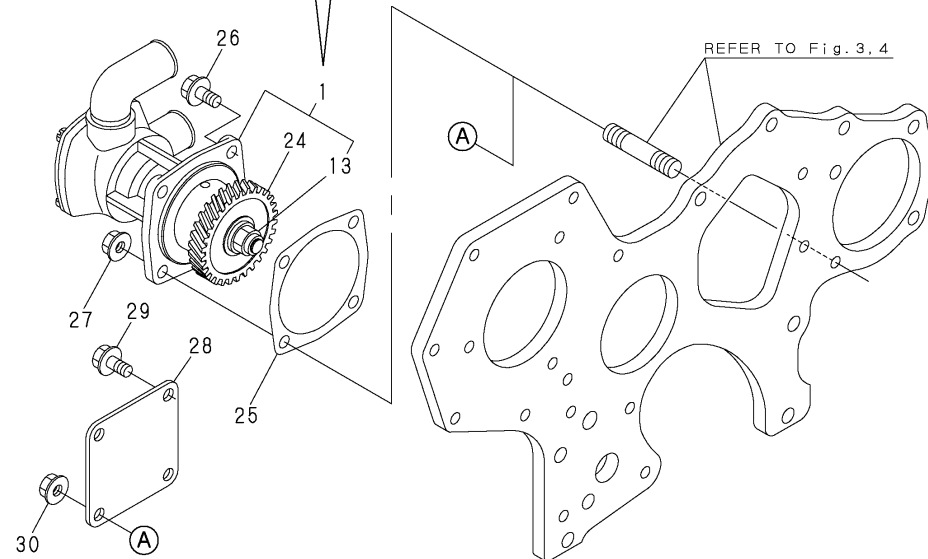
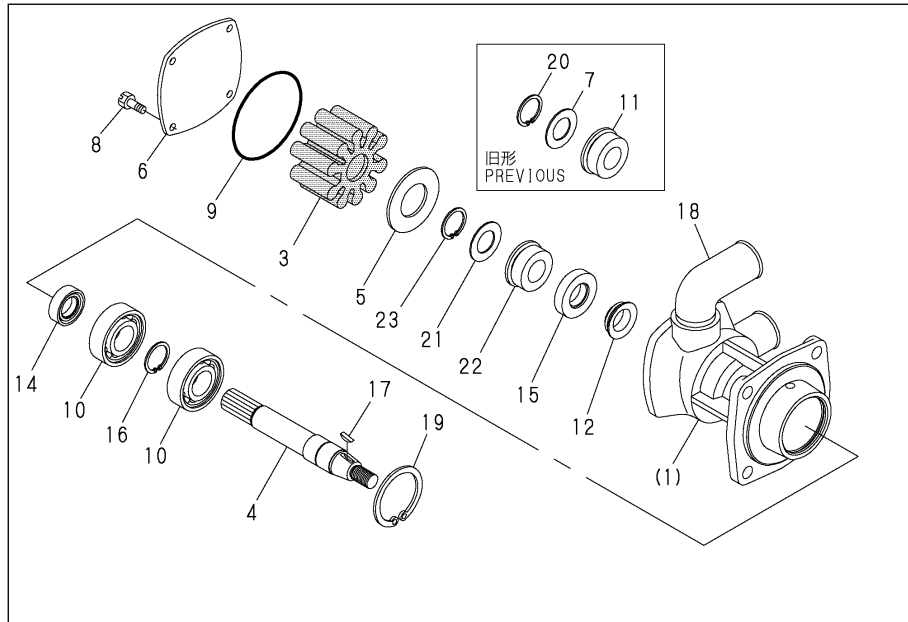
Fig.25.LUB.OIL SYSTEM(4JH3-TE)



REF.	LEV.	PARTS NO.	DESCRIPTION	QTY						I	R
				(A)	(B)	(C)	(D)	(E)	(F)		
1	1	129470-35040	GASKET				1	1			
2	1	129470-32000	PUMP ASSY, LUB. OIL				1	1			
3	1	129150-32020	GASKET, L.O. PUMP				1	1			
4	1	26450-060252	BOLT M 6X 25				4	4			
5	1	129693-35130	GASKET				1	1			
6	1	129150-35151	FILTER 80X80L				1	1			
7	1	129693-35150	BRACKET ASSY, FILTER				1	1			
8	2	129100-35140	STUD				1	1			
9	2	129693-35170	BRACKET SET				1	1			
11	3	23876-020000	PLUG 1/4				1	1			
12	2	121850-35200	SHIM SET				1	1			
13	2	124223-35510	RETAINER				1	1			
14	2	121850-35520	SPRING, VALVE				1	1			
15	2	121850-35531	VALVE				1	1			
16	2	23414-180000	GASKET 18, ROUND				1	1			
17	1	26106-080202	BOLT M 8X 20 PLATED				1	1			
18	1	26106-080502	BOLT M 8X 50 PLATED				2	2			
19	1	129473-35091	PIPE ASSY, OIL INLET				1	1			
20	1	22217-080000	SPRING WASHER 8				1	1			
21	1	26106-080142	BOLT M 8X 14 PLATED				1	1			
22	1	26106-080352	BOLT M 8X 35 PLATED				2	2			
23	1	124413-39100	PUMP, OIL SUMP				1	1			
24	1	43720-001220	PIPE				1	1			

(A)=4JH3E (D)=4JH3-TE
 (B)=4JH3CE (E)=4JH3-TCE
 (C)=4JH3CE1 (F)=

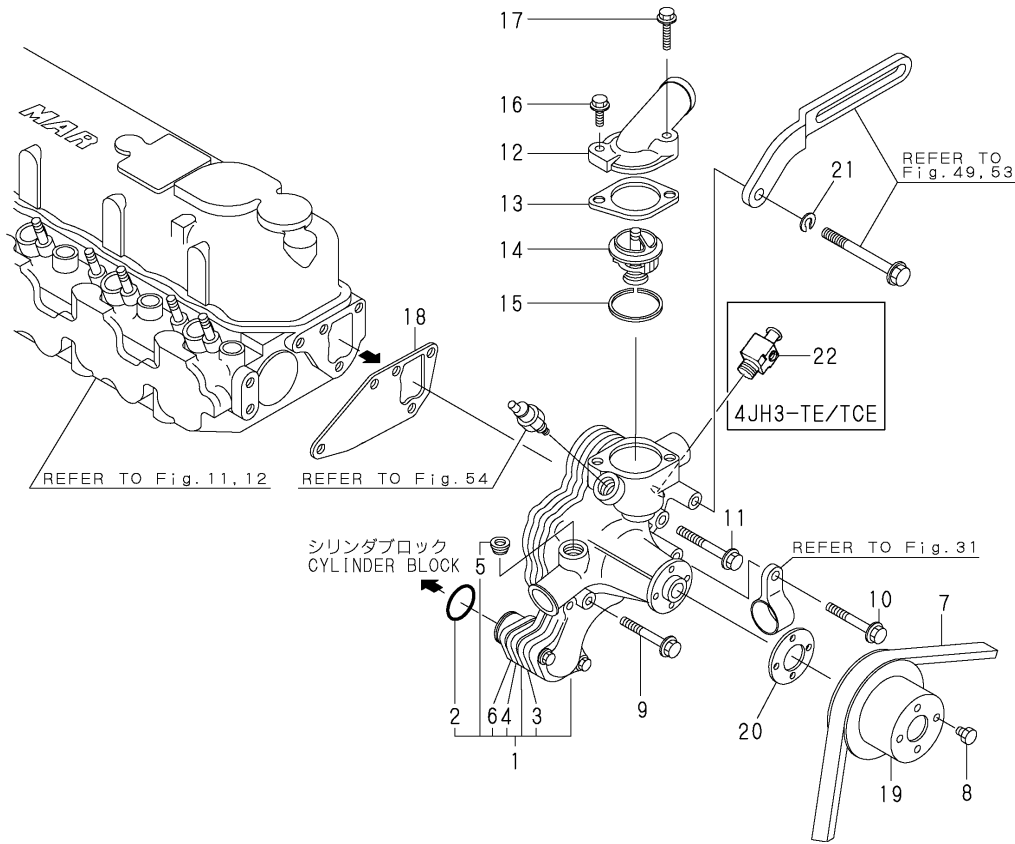
Fig.26.COOLING SEA WATER PUMP



REFER TO Fig. 3, 4

REF.	LEV.	PARTS NO.	DESCRIPTION	QTY						I	R
				(A)	(B)	(C)	(D)	(E)	(F)		
1	1	129670-42500	PUMP,SEA WATER	1	1		1				
1-1	1	129670-42501	PUMP ASSY, C. WATER	1	1		1				R
		(A=E/#22126)	(B=E/#22126)				(D=E/#10584)				
1-2	1	129670-42510	PUMP ASSY, C. WATER	1	1	1	1	1	1		N
		(A=E/#22643)	(B=E/#22643)				(C=E/#22643)				(D=E/#10799)
3	2	129670-42530	IMPELLER	1	1	1	1	1	1		
4	2	X0146531	SHAFT	1	1	1	1	1	1		
5	2	129670-42540	PLATE	1	1	1	1	1	1		
6	2	129670-42520	COVER	1	1	1	1	1	1		
7	2	X0145680	WASHER	1	1	1	1	1	1		Z
		(A=E/#22643)	(B=E/#22643)				(C=E/#22643)				(D=E/#10799)
8	2	X0504550	BOLT	4	4	4	4	4	4		
8-1	2	119175-42620	SCREW	4	4	4	4	4	4		R
		(A=FROM 1ST)	(B=FROM 1ST)				(C=FROM 1ST)				(D=FROM 1ST)
9	2	X0506590	O-RING	1	1	1	1	1	1		
10	2	X0508129	BEARING	2	2	2	2	2	2		
11	2	X0520115	SEAL, MECHANICAL	1	1	1	1	1	1		Z
		(A=E/#22643)	(B=E/#22643)				(C=E/#22643)				(D=E/#10799)
12	2	X0519503	V-RING	1	1	1	1	1	1		
13	2	X0505526	LOCKNUT	1	1	1	1	1	1		
14	2	X0529105	LIP SEAL	1	1	1	1	1	1		
15	2	X0529530	LIP SEAL	1	1	1	1	1	1		
16	2	X053421	CIRCLIP	1	1	1	1	1	1		
17	2	129670-42580	KEY	1	1	1	1	1	1		
18	2	X01357681	CONNECTION	1	1	1	1	1	1		
19	2	X0534130	CIRCLIP	1	1	1	1	1	1		
20	2	X0534105	CIRCLIP	1	1	1	1	1	1		Z
		(A=E/#22643)	(B=E/#22643)				(C=E/#22643)				(D=E/#10799)
21	2	129670-42550	WASHAER	1	1	1	1	1	1		W
		(A=E/#22643)	(B=E/#22643)				(C=E/#22643)				(D=E/#10799)
22	2	129670-42560	MECHANICAL SHEEL	1	1	1	1	1	1		W
		(A=E/#22643)	(B=E/#22643)				(C=E/#22643)				(D=E/#10799)
23	2	129670-42570	CIRCLIP	1	1	1	1	1	1		W
		(A=E/#22643)	(B=E/#22643)				(C=E/#22643)				(D=E/#10799)
24	1	129670-42700	GEAR	1	1	1	1	1	1		
25	1	129150-01881	GASKET, (NON ASB.)	1	1	1	1	1	1		
26	1	26106-080162	BOLT M 8X 16 PLATED	3	3	3	3	3	3		
27	1	26306-080002	NUT	1	1	1	1	1	1		
28	1	124240-01871	COVER, HO-P	1	1	1	1	1	1		
29	1	26106-080162	BOLT M 8X 16 PLATED	3	3	3	3	3	3		
30	1	26306-080002	NUT	1	1	1	1	1	1		

Fig.27.COOLING FRESH WATER PUMP

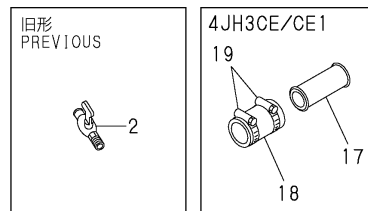
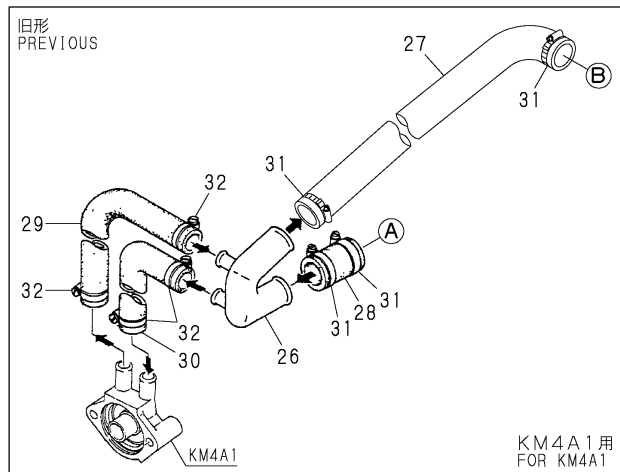
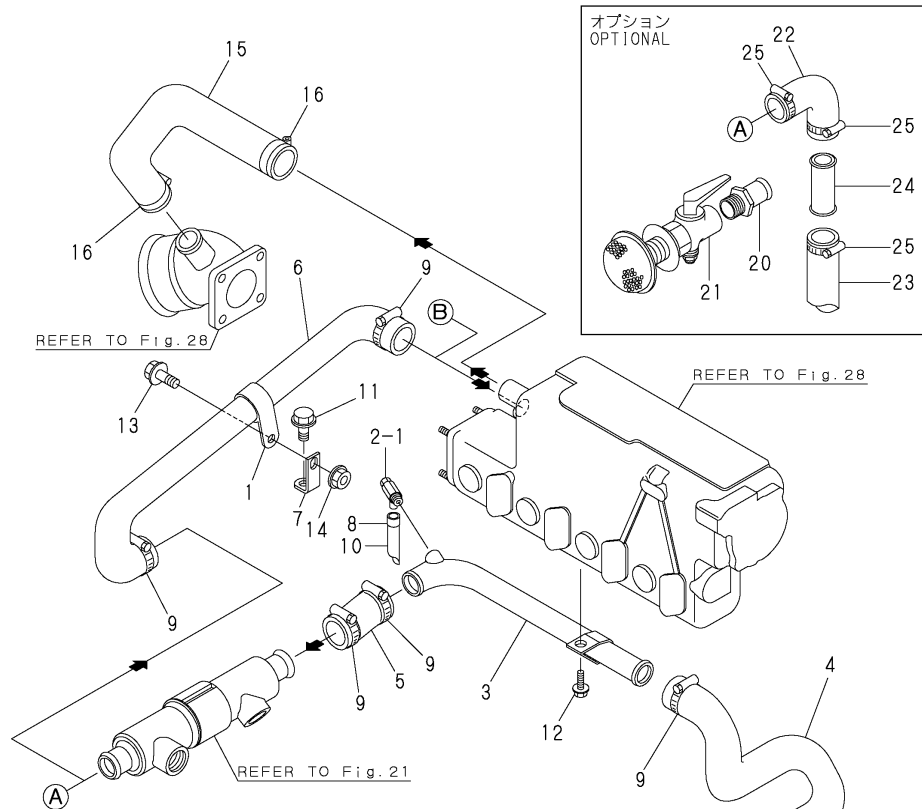


(A)=4JH3E (D)=4JH3-TE
 (B)=4JH3CE (E)=4JH3-TCE
 (C)=4JH3CE1 (F)=

REF.	LEV.	PARTS NO.	DESCRIPTION	QTY						I	R
				(A)	(B)	(C)	(D)	(E)	(F)		
1	1	129470-42001	PUMP ASSY, C.F.WATER	1	1	1	1	1			
I 1-1	1	129470-42002	PUMP ASSY, C.F.WATER	1	1	1	1	1			R
		(A=E/#25450) (B=E/#25450) (C=E/#25450) (D=E/#12627) (E=E/#12627)									
2	2	129150-42320	O-RING	1	1	1	1	1			
I 2-1	2	129054-42320	O-RING	1	1	1	1	1			N
		(A=E/#25450) (B=E/#25450) (C=E/#25450) (D=E/#12627) (E=E/#12627)									
I 3	2	129470-42050	GASKET	1	1	1	1	1			
I 3-1	2	129052-42050	GASKET	1	1	1	1	1			R
		(A=E/#25450) (B=E/#25450) (C=E/#25450) (D=E/#12627) (E=E/#12627)									
I 4	2	129470-42310	GASKET	1	1	1	1	1			
I 4-1	2	129052-42310	GASKET, OUTER	1	1	1	1	1			R
		(A=E/#25450) (B=E/#25450) (C=E/#25450) (D=E/#12627) (E=E/#12627)									
5	2	124085-11690	PLUG NPT 3/8	3	3	3	3	3			
I 5-1	2	23875-030000	PLUG PT3/8,STEEL	3	3	3	3	3			S
		(A=E/#25450) (B=E/#25450) (C=E/#25450) (D=E/#12627) (E=E/#12627)									
6	2	129150-42300	PIPE, C. W. PUMP	1	1	1	1	1			
7	1	25132-004600	V-BELT	1	1	1	1	1			
8	1	26106-060102	BOLT M 6X 10 PLATED	4	4	4	4	4			
9	1	26106-080552	BOLT M 8X 55 PLATED	2	2	2	2	2			
10	1	26106-080552	BOLT M 8X 55 PLATED	1	1	1					
10A	1	26106-080602	BOLT M 8X 60 PLATED				1	1			
11	1	26106-080552	BOLT M 8X 55 PLATED	1	1	1					
11B	1	26106-080652	BOLT M 8X 65 PLATED				1	1			
12	1	129470-49540	COVER, THERMOSTAT	1	1	1	1	1			
13	1	129795-49551	GASKET, (NON-ASB.)	1	1	1	1	1			
14	1	129470-49801	THERMOSTAT	1	1	1	1	1			
15	1	129470-49810	GASKET, (NON-ASB.)	1	1	1	1	1			
16	1	26106-080252	BOLT M 8X 25 PLATED	1	1	1	1	1			
17	1	26106-080352	BOLT M 8X 35 PLATED	1	1	1	1	1			
18	1	129150-42020	GASKET, C.W. PUMP	1	1	1	1	1			
I 18-1	1	129486-42050	GASKET	1	1	1	1	1			R
		(A=*2002.10) (B=*2002.10) (C=*2002.10) (D=*2002.10) (E=*2002.10)									
19	1	129550-42350	V-PULLEY(D=120)	1	1	1	1	1			
20	1	129156-44760	WASHER	1	1	1	1	1			
21	1	22217-080000	SPRING WASHER 8	1	1	1	1	1			
22	1	129473-49310	JOINT					1	1		

Fig.29.C.S.W.PIPE(4JH3E)

(A)=4JH3E (D)=4JH3-TE
 (B)=4JH3CE (E)=4JH3-TCE
 (C)=4JH3CE1 (F)=

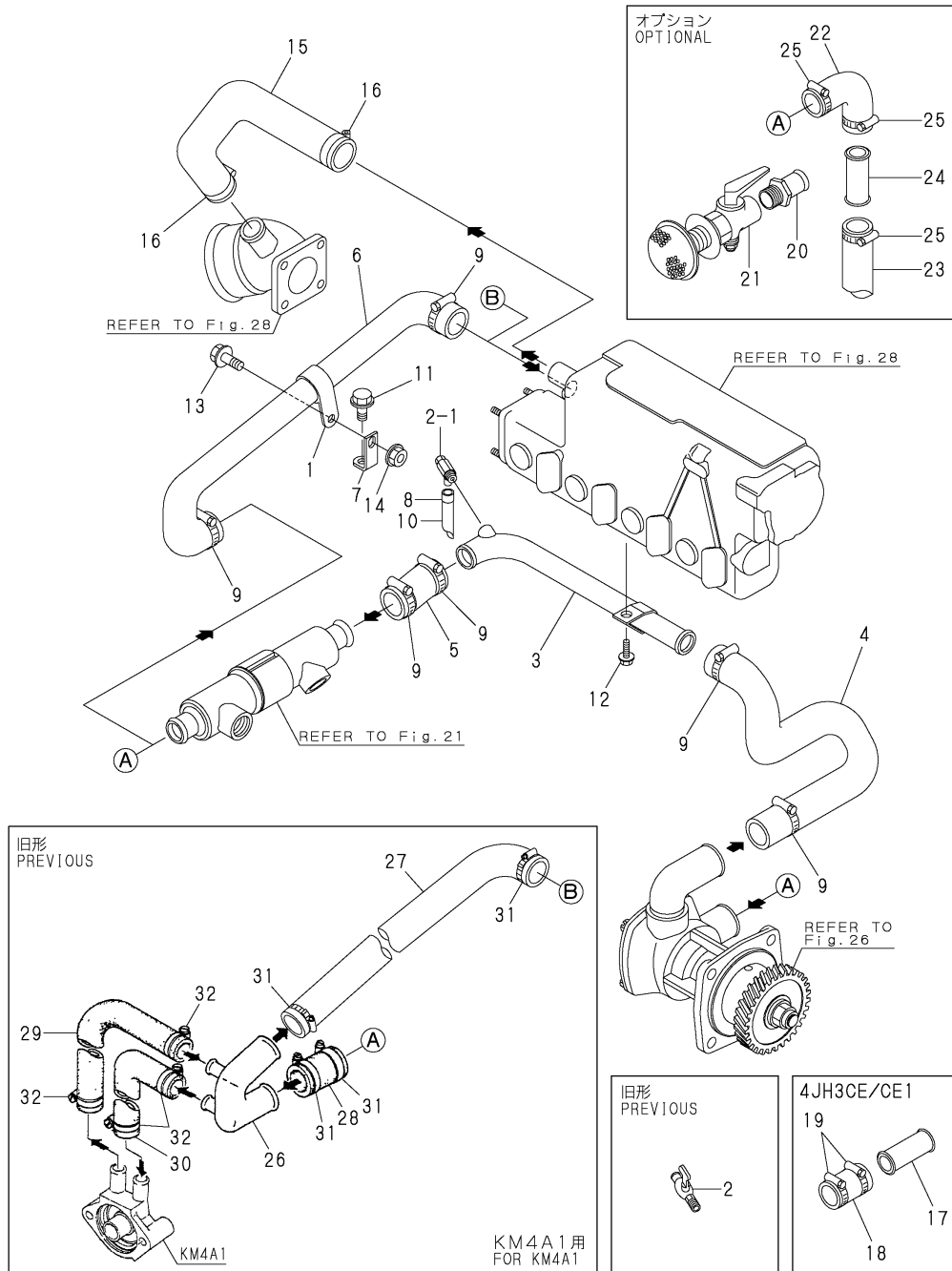


REF.	LEV.	PARTS NO.	DESCRIPTION	QTY						I	R
				(A)	(B)	(C)	(D)	(E)	(F)		
1	1	127610-03270	RETAINER	1	1	1					
2	1	128695-44090	COCK PT1/8	1	1						
I	2-1	129670-49290	COCK R1/8 ASSY	1	1	1					N
		(A=E/#21869) (B=E/#21869)									
3	1	129470-49010	PIPE, C, SEA WATER	1	1	1					
4	1	129670-49010	PIPE A, COOLING WATER	1	1	1					
I	4-1	129670-49110	PIPE, CSW(A)	1	1	1					R
		(A=E/#23803) (B=E/#23803) (C=E/#23803)									
5	1	129670-49030	PIPE C, COOLING WATER	1	1	1					
I	5-1	129670-49130	PIPE, CSW(B)	1	1	1					R
		(A=E/#23803) (B=E/#23803) (C=E/#23803)									
6	1	129670-49040	PIPE D, COOLING WATER	1	1	1					
I	6-1	129670-49140	PIPE, CSW(C)	1	1	1					R
		(A=E/#23803) (B=E/#23803) (C=E/#23803)									
7	1	129670-49350	SUPPORT, CSW-T	1	1	1					
8	1	124460-77680	RETAINER	1	1	1					
9	1	23000-035000	CLAMP 35	6	6	6					
I	9-1	129670-49500	HOSE CLIP 38	6	6	6					R
		(A=E/#23959) (B=E/#23959) (C=E/#23959)									
10	1	23061-070300	PIPE 7X 300	1	1	1					
11	1	26106-080122	BOLT M 8X 12 PLATED	1	1	1					
12	1	26106-080162	BOLT M 8X 16 PLATED	1	1	1					
13	1	26106-080162	BOLT M 8X 16 PLATED	1	1	1					
14	1	26306-080002	NUT	1	1	1					
15	1	129475-49040	PIPE	1	1	1					
I	15-1	129670-49150	PIPE, CSW(D)	1	1	1					R
		(A=E/#23803) (B=E/#23803) (C=E/#23803)									
16	1	23000-035000	CLAMP 35	2	2	2					
I	16-1	129670-49500	HOSE CLIP 38	2	2	2					R
		(A=E/#23959) (B=E/#23959) (C=E/#23959)									
17	1	129490-49070	JOINT	1	1	1					
18	1	129171-49900	JOINT, RUBBER	1	1	1					
19	1	23000-035000	CLAMP 35	2	2	2					
I	19-1	129670-49500	HOSE CLIP 38	2	2	2					R
		(B=E/#23959) (C=E/#23959)									
20	1	43530-500570	JOINT	1	1	1					
21	1	43662-025030	COCK ASSY, SEA WATER	1	1	1					
22	1	129474-49010	PIPE	1	1	1					
23	1	129170-49060	PIPE, COOLING WATER	1	1	1					
24	1	129490-49070	JOINT	1	1	1					
25	1	23000-035000	CLAMP 35	4	4	4					
I	25-1	129670-49500	HOSE CLIP 38	4	4	4					R
		(A=E/#23959) (B=E/#23959) (C=E/#23959)									
I	26	129470-49060	PIPE	1							Z
		(A=E/#25682)									
I	27	129670-49070	PIPE	1							Z
		(A=E/#25682)									
I	28	129470-49110	JOINT 25X55	1							Z
		(A=E/#25682)									
I	29	129673-49030	CSW PIPE	1							Z
		(A=E/#25682)									
I	30	129673-49100	CSW PIPE	1							Z
		(A=E/#25682)									
I	31	129670-49500	HOSE CLIP 38	4							Z

++ CONTINUE ++

Fig.29.C.S.W.PIPE(4JH3E)

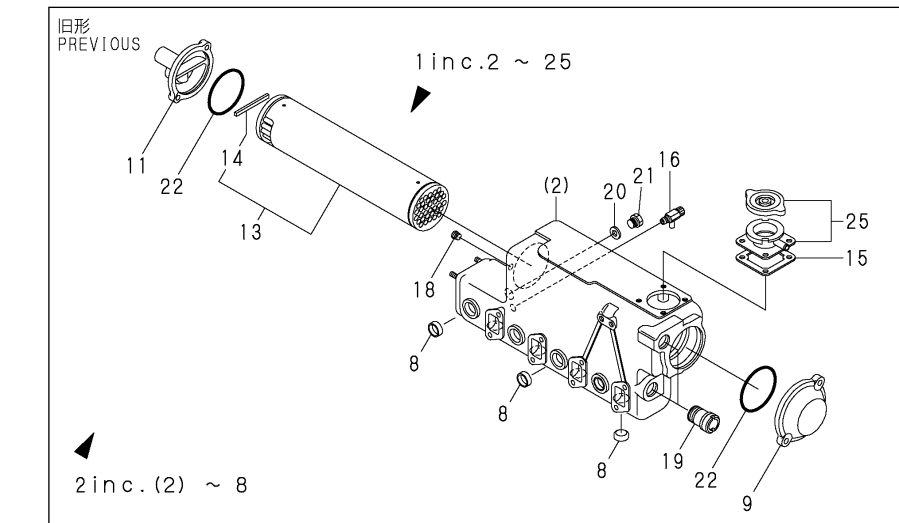
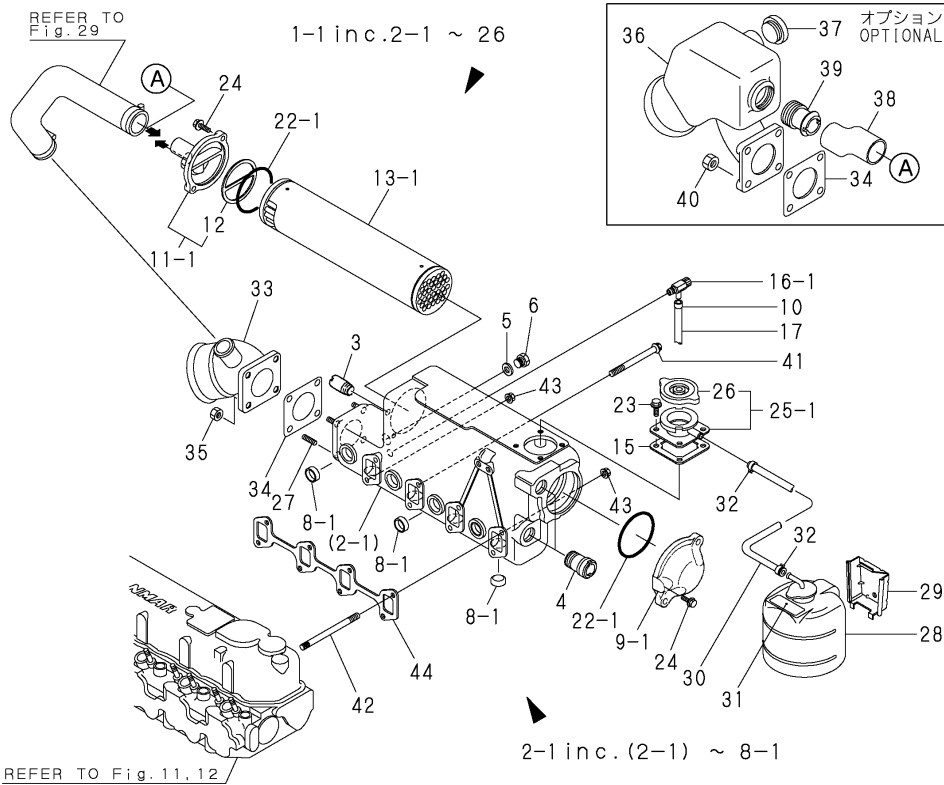
(A)=4JH3E (D)=4JH3-TE
(B)=4JH3CE (E)=4JH3-TCE
(C)=4JH3CE1 (F)=



REF.	LEV.	PARTS NO.	DESCRIPTION	QTY						I	R	
				(A)	(B)	(C)	(D)	(E)	(F)			
		(A=E/#25682)										
I	32	1	23000-022000 CLAMP 22	4								Z
		(A=E/#25682)										

Fig.28.COOLING FRESH WATER COOLER

(A)=4JH3E (D)=4JH3-TE
 (B)=4JH3CE (E)=4JH3-TCE
 (C)=4JH3CE1 (F)=

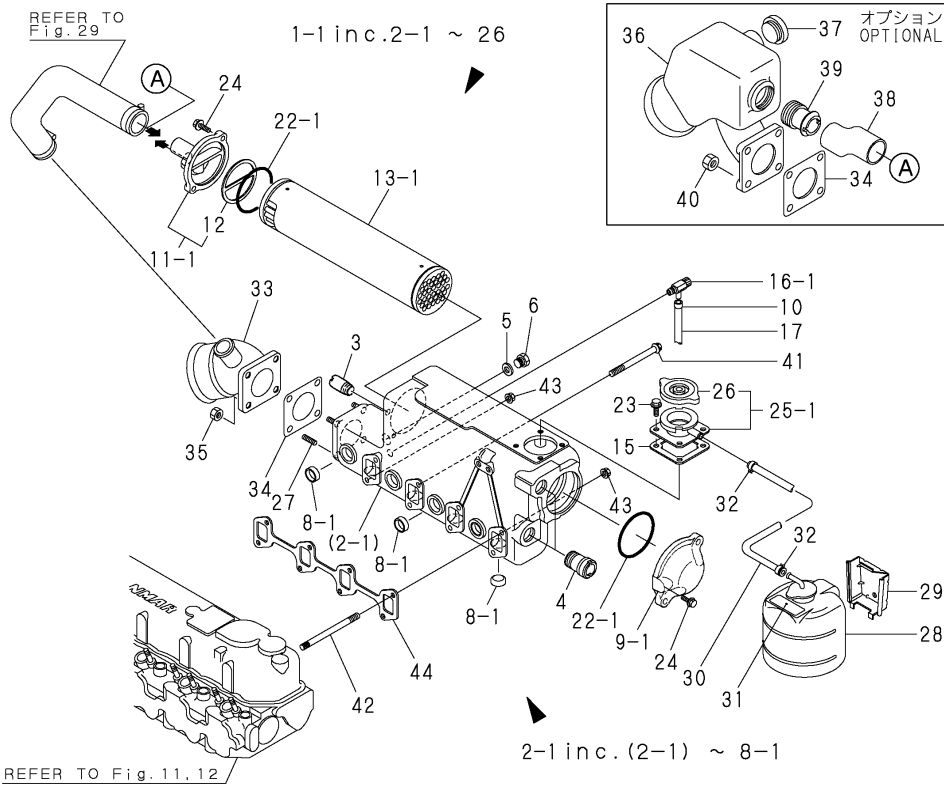


REF.	LEV.	PARTS NO.	DESCRIPTION	QTY						I	R
				(A)	(B)	(C)	(D)	(E)	(F)		
1	1	129670-44900	HEAT EXCHANGER ASSY	1	1	1	1	1			
I	1-1	129473-44900	EXCHAGER ASSY CFW	1	1	1	1	1			N
		(A=E/#25003)	(B=E/#25003)	(C=E/#25003)	(D=E/#12191)	(E=E/#12191)					
2	2	129670-44000	BODY CMP,HEAT EXCHAN	1	1	1	1	1			
I	2-1	129473-44000	COOLER,FRESH WATER	1	1	1	1	1			S
		(A=E/#25003)	(B=E/#25003)	(C=E/#25003)	(D=E/#12191)	(E=E/#12191)					
I	3	104407-44480	JOINT	1	1	1	1	1			W
		(A=E/#25003)	(B=E/#25003)	(C=E/#25003)	(D=E/#12191)	(E=E/#12191)					
I	4	124160-49480	JOINT, PIPE	2	2	2	2	2			W
		(A=E/#25003)	(B=E/#25003)	(C=E/#25003)	(D=E/#12191)	(E=E/#12191)					
I	5	3	23414-170000	GASKET 17, ROUND	1	1	1	1	1		W
		(A=E/#25003)	(B=E/#25003)	(C=E/#25003)	(D=E/#12191)	(E=E/#12191)					
I	6	3	23894-030002	PLUG G3/8,HEX.	1	1	1	1	1		W
		(A=E/#25003)	(B=E/#25003)	(C=E/#25003)	(D=E/#12191)	(E=E/#12191)					
	8	3	27241-280000	PLUG 28	8	8	8	8	8		
I	8-1	3	27241-280000	PLUG 28	4	4	4	4	4		K
		(A=E/#25003)	(B=E/#25003)	(C=E/#25003)	(D=E/#12191)	(E=E/#12191)					
	9	2	129670-44420	COVER B,CFW COOLER	1	1	1	1	1		
I	9-1	2	129470-44450	COVER (B)	1	1	1	1	1		S
		(A=E/#25003)	(B=E/#25003)	(C=E/#25003)	(D=E/#12191)	(E=E/#12191)					
	10	2	23080-013000	CLAMP 13,HOSE	1	1	1	1	1		
	11	2	129670-44410	COVER A,CFW COOLER	1	1	1	1	1		
I	11-1	2	129470-44440	COVER (A)	1	1	1	1	1		S
		(A=E/#25003)	(B=E/#25003)	(C=E/#25003)	(D=E/#12191)	(E=E/#12191)					
I	12	3	120322-33050	GASKET	1	1	1	1	1		W
		(A=E/#25003)	(B=E/#25003)	(C=E/#25003)	(D=E/#12191)	(E=E/#12191)					
	13	2	129670-44400	CORE ASSY,CFW COOLER	1	1	1	1	1		
I	13-1	2	129473-44111	CORE ASSY	1	1	1	1	1		S
		(A=E/#25003)	(B=E/#25003)	(C=E/#25003)	(D=E/#12191)	(E=E/#12191)					
	14	3	129270-44490	SEALING	1	1	1	1	1		W
		(A=FROM 1ST)	(B=FROM 1ST)	(C=FROM 1ST)	(D=FROM 1ST)	(E=FROM 1ST)					
I	14-1	3	129270-44490	SEALING	1	1	1	1	1		Z
		(A=E/#25003)	(B=E/#25003)	(C=E/#25003)	(D=E/#12191)	(E=E/#12191)					
	15	2	120445-44640	GASKET	1	1	1	1	1		
	16	2	120130-49350	COCK 1/4	1	1	1	1	1		
I	16-1	2	119620-49290	COCK ASSY 1/4	1	1	1	1	1		N
		(A=E/#21539)	(B=E/#21539)		(D=E/#10233)						
	17	2	23061-120300	PIPE 12X 300	1	1	1	1	1		
I	18	2	23871-030000	PLUG PT3/8,SCREW	1	1	1	1	1		Z
		(A=E/#25003)	(B=E/#25003)	(C=E/#25003)	(D=E/#12191)	(E=E/#12191)					
I	19	2	124160-49480	JOINT, PIPE	2	2	2	2	2		Z
		(A=E/#25003)	(B=E/#25003)	(C=E/#25003)	(D=E/#12191)	(E=E/#12191)					
I	20	2	23414-170000	GASKET 17, ROUND	1	1	1	1	1		Z
		(A=E/#25003)	(B=E/#25003)	(C=E/#25003)	(D=E/#12191)	(E=E/#12191)					
I	21	2	23894-030002	PLUG G3/8,HEX.	1	1	1	1	1		Z
		(A=E/#25003)	(B=E/#25003)	(C=E/#25003)	(D=E/#12191)	(E=E/#12191)					
	22	2	24321-000800	O-RING 1A G-80.0	2	2	2	2	2		
I	22-1	2	24321-000750	O-RING 1A G-75.0	2	2	2	2	2		S
		(A=E/#25003)	(B=E/#25003)	(C=E/#25003)	(D=E/#12191)	(E=E/#12191)					
	23	2	26106-080162	BOLT M 8X 16 PLATED	4	4	4	4	4		
	24	2	26106-080252	BOLT M 8X 25 PLATED	4	4	4	4	4		
	25	2	129670-44600	FILLER CMP	1	1	1	1	1		
I	25-1	2	129171-44600	FILLER ASSY	1	1	1	1	1		R
		(A=E/#24255)	(B=E/#24255)	(C=E/#24255)	(D=E/#11769)						

++ CONTINUE ++

Fig.28.COOLING FRESH WATER COOLER

(A)=4JH3E (D)=4JH3-TE
 (B)=4JH3CE (E)=4JH3-TCE
 (C)=4JH3CE1 (F)=



REF.	LEV.	PARTS NO.	DESCRIPTION	QTY						I	R
				(A)	(B)	(C)	(D)	(E)	(F)		
I	26	3	129107-44590 CAP, RADIATOR (A=E/#24255) (B=E/#24255) (C=E/#24255) (D=E/#11769)	1	1	1	1	1	1		W
	27	1	128170-13600 STUD	4	4	4	4	4			
	28	1	128397-44500 TANK ASSY, RESERVE	1	1	1	1	1	1		
	29	1	128397-44510 BRACKET, SUB-TANK	1	1	1	1	1	1		
	30	1	124790-44560 PIPE, C. WATER	1	1	1	1	1	1		
	31	1	129670-44570 LABEL	1	1	1	1	1	1		
	32	1	23010-013000 CLAMP 13	2	2	2	2	2	2		
	33	1	129670-13560 MIXING ELBOW	1	1	1	1	1	1		
	34	1	129472-18090 GASKET	1	1	1					
	35	1	26703-080002 NUT M 8	4	4	4					
	36	1	129470-13541 ELBOW, WATER MIXING	1	1	1					
	37	1	129472-13560 PLUG PT3/4	1	1	1	1	1	1		
	38	1	129470-49050 PIPE, COOLING WATER	1	1	1					
	39	1	123325-49421 JOINT, PIPE	1	1	1					
	40	1	26703-080002 NUT M 8	4	4	4					
	41	1	26106-081002 BOLT M 8X100 PLATED	6	6	6	6	6	6		
	42	1	26216-081002 STUD M 8X100 PLATED	2	2	2	2	2	2		
	43	1	26306-080002 NUT	2	2	2	2	2	2		
	44	1	129550-13110 GASKET, EXH.MANIFOLD	1	1	1	1	1	1		

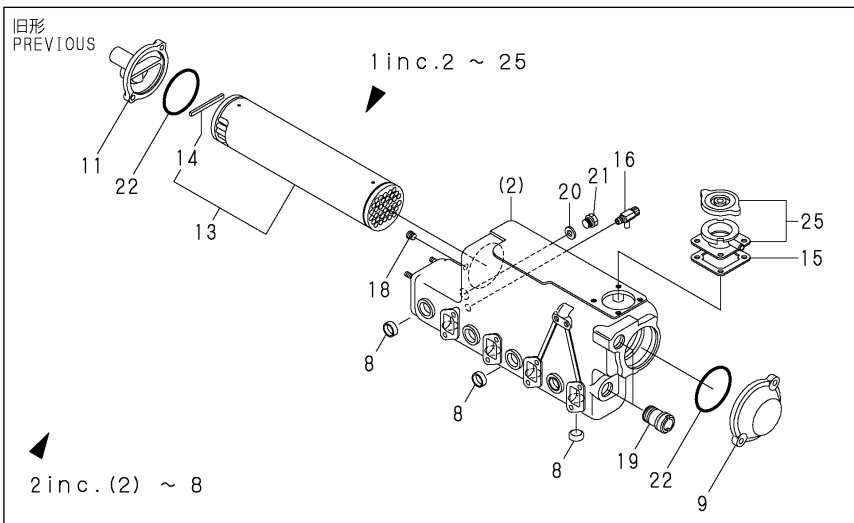
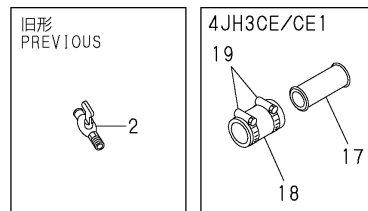
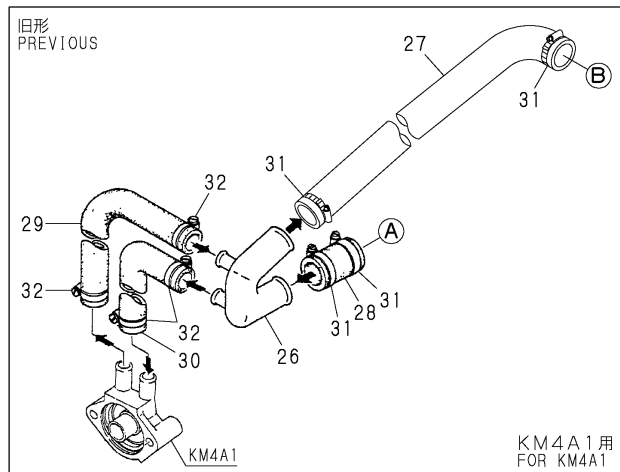
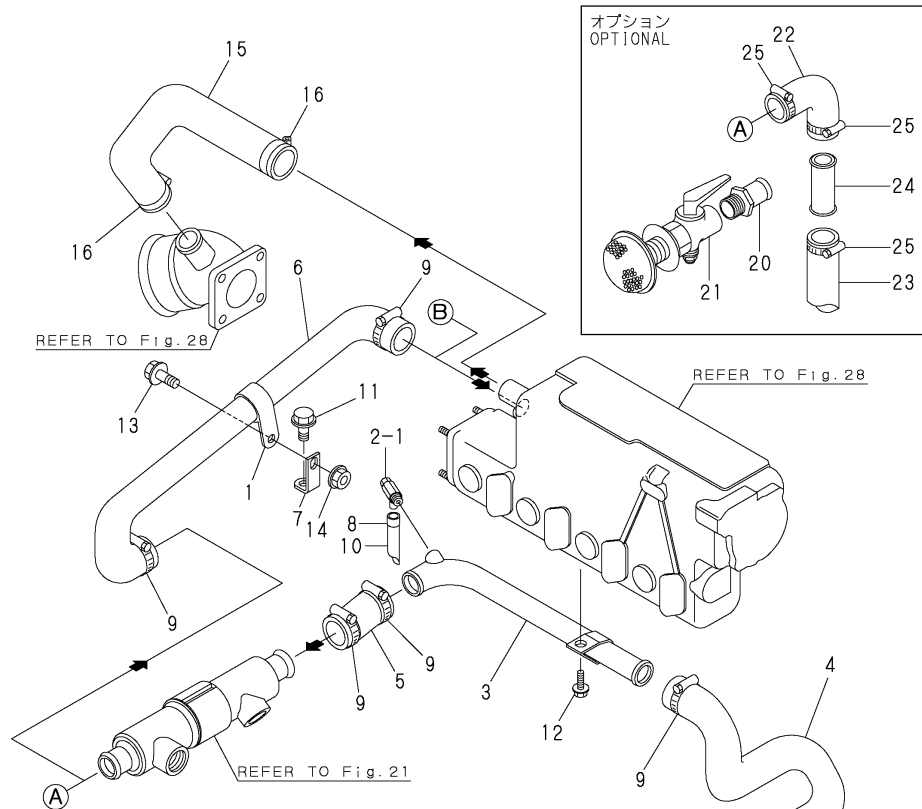


Fig.29.C.S.W.PIPE(4JH3E)

(A)=4JH3E (D)=4JH3-TE
 (B)=4JH3CE (E)=4JH3-TCE
 (C)=4JH3CE1 (F)=

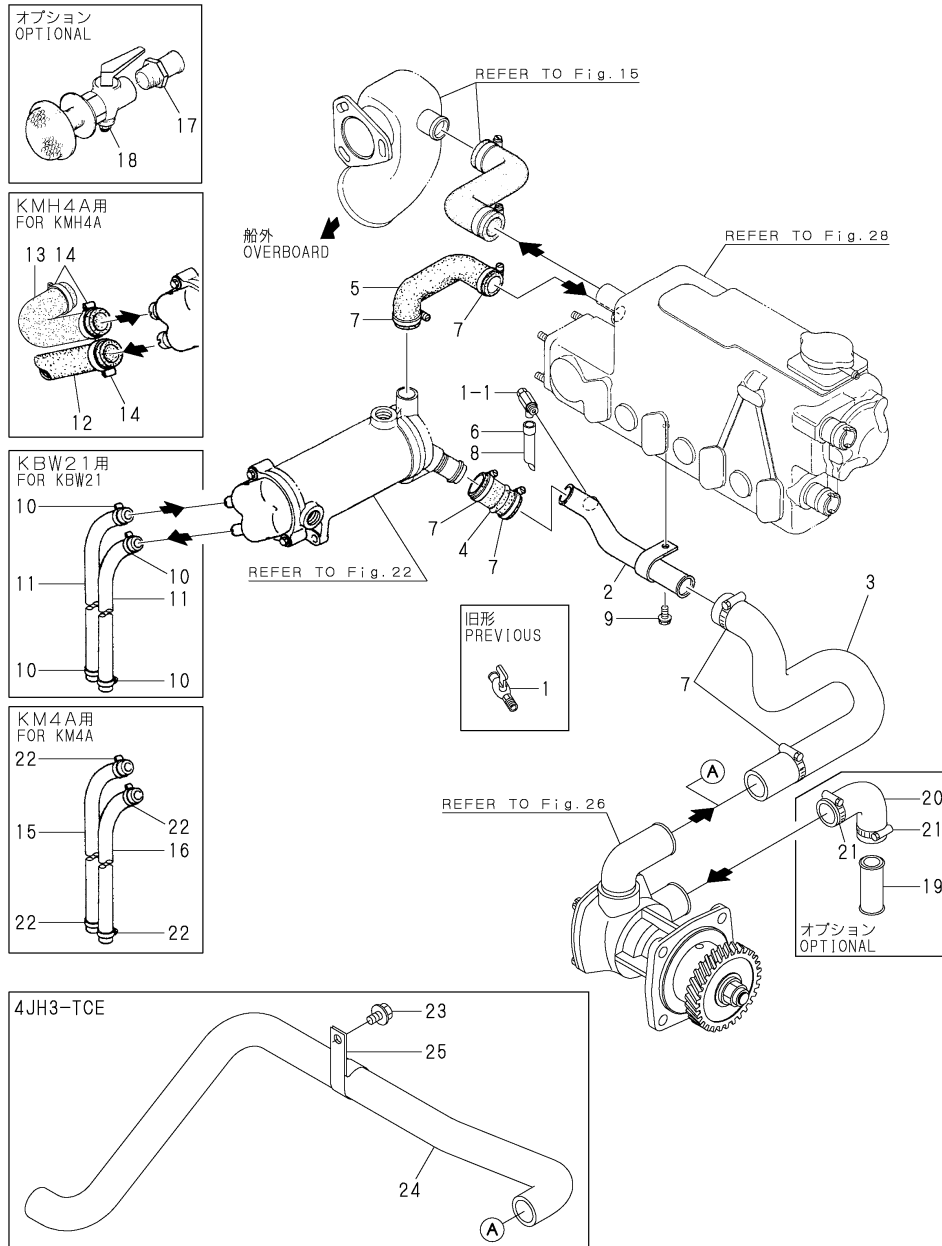


REF.	LEV.	PARTS NO.	DESCRIPTION	QTY						I	R
				(A)	(B)	(C)	(D)	(E)	(F)		
1	1	127610-03270	RETAINER	1	1	1					
2	1	128695-44090	COCK PT1/8	1	1						
I	2-1	129670-49290	COCK R1/8 ASSY	1	1	1					N
		(A=E/#21869) (B=E/#21869)									
3	1	129470-49010	PIPE, C. SEA WATER	1	1	1					
4	1	129670-49010	PIPE A, COOLING WATER	1	1	1					
I	4-1	129670-49110	PIPE, CSW(A)	1	1	1					R
		(A=E/#23803) (B=E/#23803) (C=E/#23803)									
5	1	129670-49030	PIPE C, COOLING WATER	1	1	1					
I	5-1	129670-49130	PIPE, CSW(B)	1	1	1					R
		(A=E/#23803) (B=E/#23803) (C=E/#23803)									
6	1	129670-49040	PIPE D, COOLING WATER	1	1	1					
I	6-1	129670-49140	PIPE, CSW(C)	1	1	1					R
		(A=E/#23803) (B=E/#23803) (C=E/#23803)									
7	1	129670-49350	SUPPORT, CSW-T	1	1	1					
8	1	124460-77680	RETAINER	1	1	1					
9	1	23000-035000	CLAMP 35	6	6	6					
I	9-1	129670-49500	HOSE CLIP 38	6	6	6					R
		(A=E/#23959) (B=E/#23959) (C=E/#23959)									
10	1	23061-070300	PIPE 7X 300	1	1	1					
11	1	26106-080122	BOLT M 8X 12 PLATED	1	1	1					
12	1	26106-080162	BOLT M 8X 16 PLATED	1	1	1					
13	1	26106-080162	BOLT M 8X 16 PLATED	1	1	1					
14	1	26306-080002	NUT	1	1	1					
15	1	129475-49040	PIPE	1	1	1					
I	15-1	129670-49150	PIPE, CSW(D)	1	1	1					R
		(A=E/#23803) (B=E/#23803) (C=E/#23803)									
16	1	23000-035000	CLAMP 35	2	2	2					
I	16-1	129670-49500	HOSE CLIP 38	2	2	2					R
		(A=E/#23959) (B=E/#23959) (C=E/#23959)									
17	1	129490-49070	JOINT	1	1	1					
18	1	129171-49900	JOINT, RUBBER	1	1	1					
19	1	23000-035000	CLAMP 35	2	2	2					
I	19-1	129670-49500	HOSE CLIP 38	2	2	2					R
		(B=E/#23959) (C=E/#23959)									
20	1	43530-500570	JOINT	1	1	1					
21	1	43662-025030	COCK ASSY, SEA WATER	1	1	1					
22	1	129474-49010	PIPE	1	1	1					
23	1	129170-49060	PIPE, COOLING WATER	1	1	1					
24	1	129490-49070	JOINT	1	1	1					
25	1	23000-035000	CLAMP 35	4	4	4					
I	25-1	129670-49500	HOSE CLIP 38	4	4	4					R
		(A=E/#23959) (B=E/#23959) (C=E/#23959)									
I	26	129470-49060	PIPE	1							Z
		(A=E/#25682)									
I	27	129670-49070	PIPE	1							Z
		(A=E/#25682)									
I	28	129470-49110	JOINT 25X55	1							Z
		(A=E/#25682)									
I	29	129673-49030	CSW PIPE	1							Z
		(A=E/#25682)									
I	30	129673-49100	CSW PIPE	1							Z
		(A=E/#25682)									
I	31	129670-49500	HOSE CLIP 38	4							Z

++ CONTINUE ++

Fig.30.C.S.W.PIPE(4JH3-TE)

(A)=4JH3E (D)=4JH3-TE
 (B)=4JH3CE (E)=4JH3-TCE
 (C)=4JH3CE1 (F)=

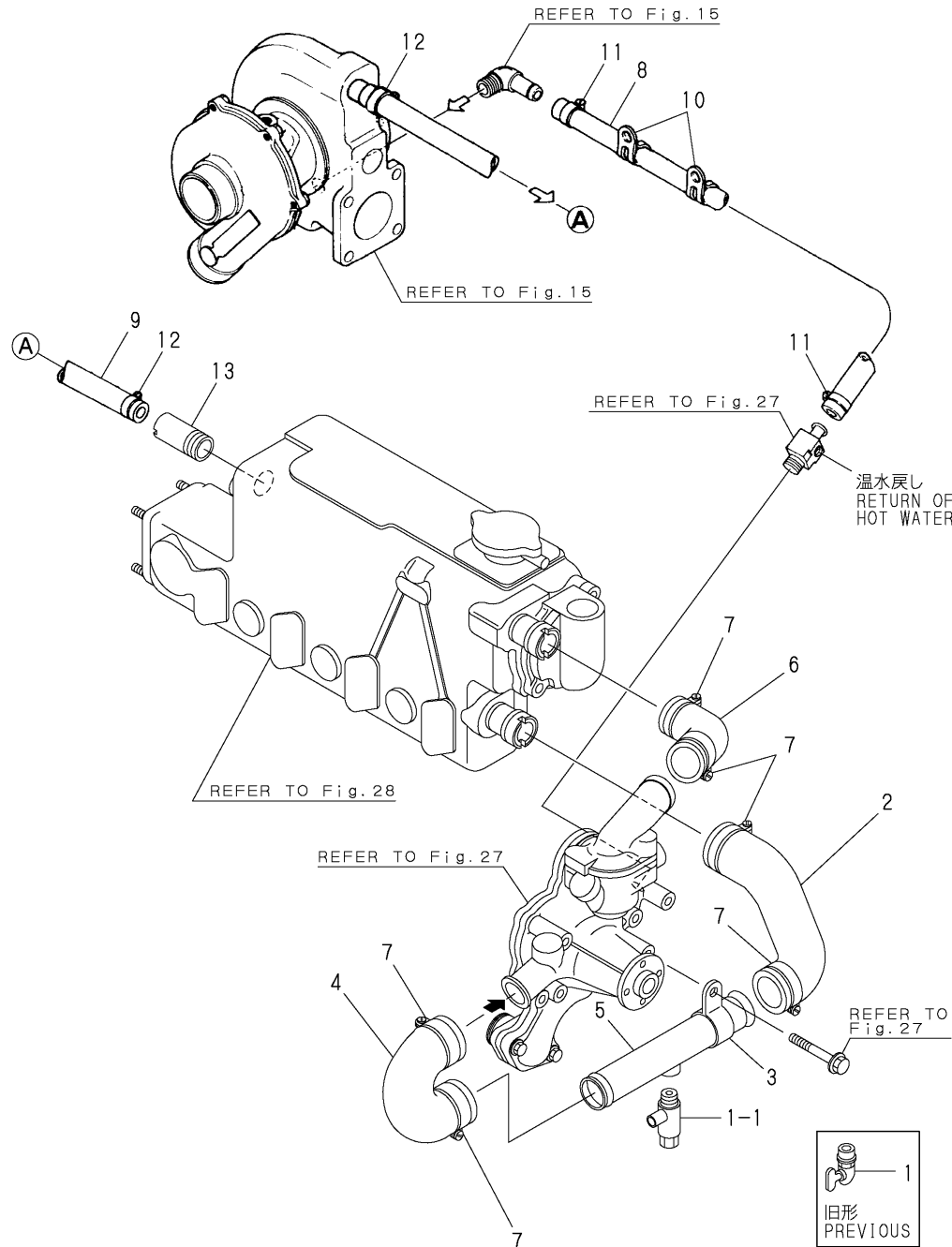


REF.	LEV.	PARTS NO.	DESCRIPTION	QTY						I	R	
				(A)	(B)	(C)	(D)	(E)	(F)			
1	1	128695-44090	COCK PT1/8				1					
I 1-1	1	129670-49290	COCK R1/8 ASSY				1	1			N	
			(D=E/#10333)									
2	1	129495-49010	PIPE A				1	1				
3	1	129670-49010	PIPE A,COOLING WATER				1					
3-1	1	129670-49110	PIPE,CSW(A)				1	1			R	
			(D=E/#11493)									
4	1	129672-49020	PIPE,COOLING WATER				1					
4-1	1	129673-49020	CSW PIPE(CLUTCH OUT)				1	1			R	
			(D=E/#10799)									
5	1	129474-49030	PIPE				1					
5-1	1	129671-49040	PIPE,CSW(C)				1	1			R	
			(D=E/#11493)									
6	1	124460-77680	RETAINER				1	1				
7	1	23000-035000	CLAMP 35				6					
I 7-1	1	129670-49500	HOSE CLIP 38				6	6			R	
			(D=E/#11597)									
8	1	23061-070300	PIPE 7X 300				1	1				
9	1	26106-080162	BOLT M 8X 16 PLATED				1	1				
10	1	23000-022000	CLAMP 22				4					1
11	1	23072-040300	HOSE (13/20X300)				2					1
I 11-1	1	129673-49030	CSW PIPE				2				R	1
			(D=E/#10799)									
12	1	129494-49050	PIPE				1					
I 12-1	1	129673-49070	PIPE,CSW(F)				1				R	
			(D=E/#11493)									
13	1	129494-49060	PIPE				1					
I 13-1	1	129673-49080	PIPE,CSW(F)				1				R	
			(D=E/#11493)									
14	1	23000-035000	HOSE CLAMP 35				4					
I 14-1	1	129670-49500	HOSE CLIP 38				4				R	
			(D=E/#11597)									
15	1	129673-49030	CSW PIPE				1					
16	1	129673-49100	CSW PIPE				1					
17	1	43530-500570	JOINT				1	1				
18	1	43662-025030	COCK ASSY, SEA WATER				1	1				
19	1	129490-49070	JOINT				1	1				
20	1	129171-49900	JOINT, RUBBER				1	1				
21	1	23000-035000	HOSE CLAMP 35				2					
I 21-1	1	129670-49500	HOSE CLIP 38				6	6			R	
			(D=E/#11597)									
22	1	23000-022000	CLAMP 22				4					
23	1	26106-080142	BOLT M 8X 14 PLATED							1		
24	1	129671-49100	PIPE, COOLING WATER							1		
25	1	129671-49110	RETAINER							1		

Remarks
 (1)KBW21

Fig.31.COOLING FRESH WATER PIPE

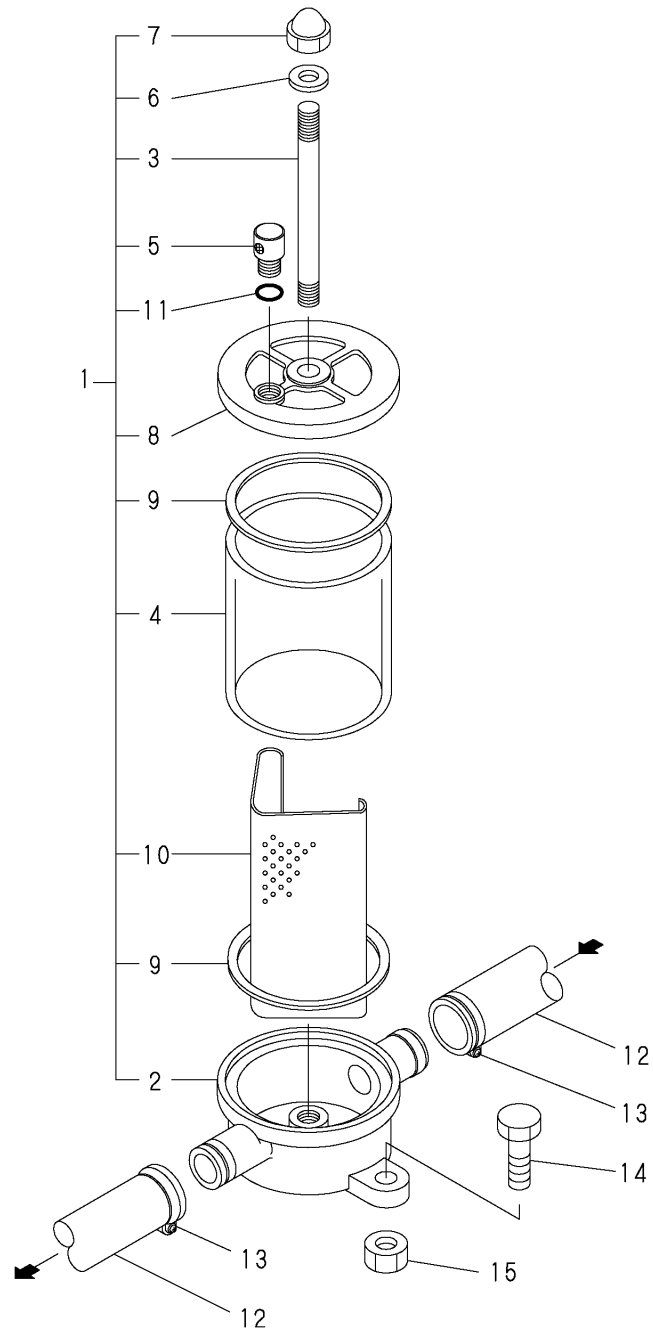
(A)=4JH3E (D)=4JH3-TE
 (B)=4JH3CE (E)=4JH3-TCE
 (C)=4JH3CE1 (F)=



REF.	LEV.	PARTS NO.	DESCRIPTION	QTY						I	R
				(A)	(B)	(C)	(D)	(E)	(F)		
1	1	128695-44090	COCK PT1/8	1	1		1				
I 1-1	1	129670-49290 (A=E/#21869)	COCK R1/8 ASSY (B=E/#21869)								N
			(D=E/#10333)								
2	1	129470-49200	JOINT	1	1	1	1				
I 2-1	1	129673-49220 (A=E/#22643)	CFW PIPE (B=E/#22643)	1	1	1	1	1	1		R
			(C=E/#22643) (D=E/#10799)								
3	1	129470-49220	RETAINER	1	1	1	1	1			
4	1	129470-49240	JOINT 28	1	1	1	1				
I 4-1	1	129673-49230 (A=E/#22643)	CFW PIPE (B=E/#22643)	1	1	1	1	1	1		R
			(C=E/#22643) (D=E/#10799)								
5	1	129470-49250	PIPE, C. FRESH WATER	1	1	1	1	1			
6	1	129470-49260	JOINT	1	1	1	1				
I 6-1	1	129671-49210 (A=E/#23803)	PIPE, COOLING WATER (B=E/#23803)	1	1	1	1	1	1		R
			(C=E/#23803) (D=E/#11493)								
7	1	23000-041000	CLAMP 41	6	6	6	6				
I 7-1	1	129670-49500 (A=E/#23959)	HOSE CLIP 38 (B=E/#23959)	6	6	6	6	6	6		R
			(C=E/#23959) (D=E/#11597)								
8	1	127420-44560	PIPE					1	1		
9	1	129474-49320	PIPE B					1	1		
10	1	194440-51620	CLAMP, WIRE HARNESS					2	2		
11	1	23000-013000	CLAMP 13					2	2		
12	1	23000-025000	CLAMP 25					2	2		
I 13	1	104407-44480	JOINT					1	1		W
			(D=E/#10005)								

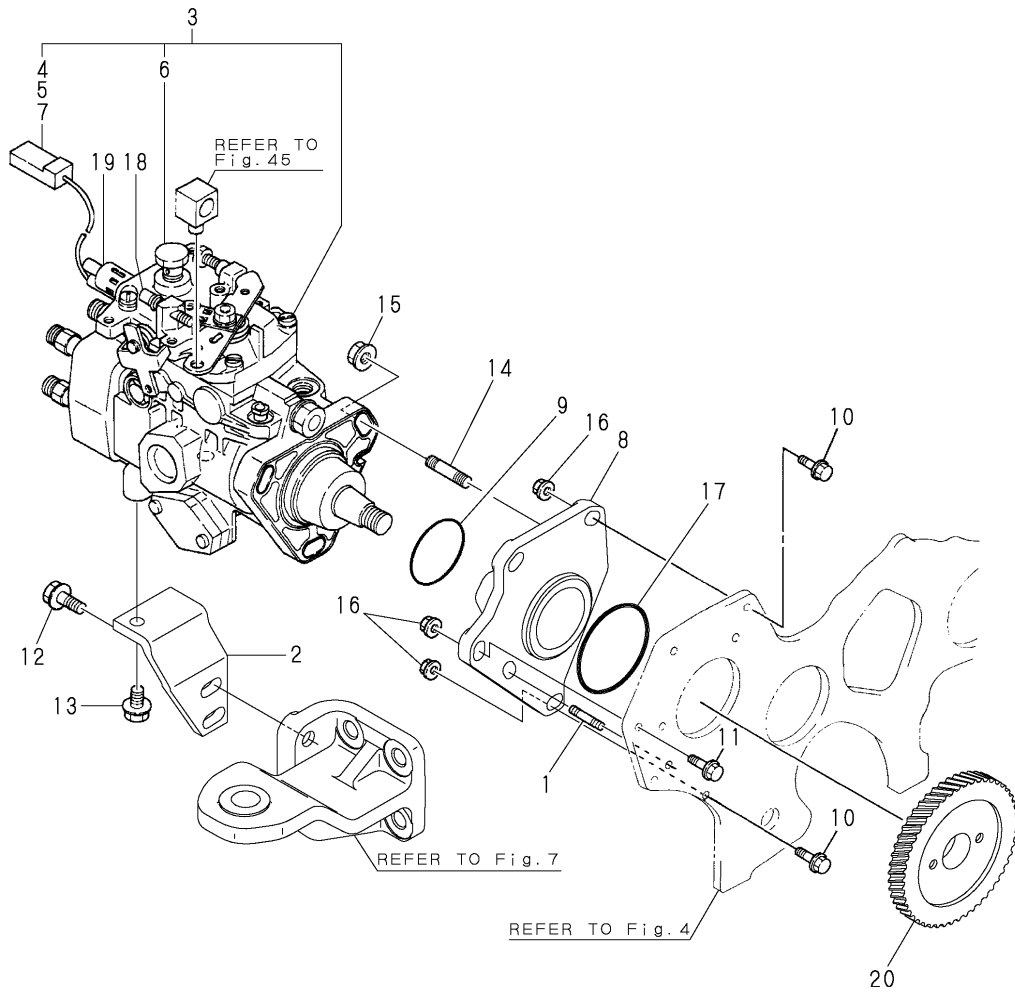
(A)=4JH3E (D)=4JH3-TE
 (B)=4JH3CE (E)=4JH3-TCE
 (C)=4JH3CE1 (F)=

Fig.32.C.S.W.STRAINER(OPTIONAL)



REF.	LEV.	PARTS NO.	DESCRIPTION	QTY						I	R
				(A)	(B)	(C)	(D)	(E)	(F)		
1	1	129795-48800	STRAINER	1	1	1	1	1			
2	2	XTST25S001	BODY	1	1	1	1	1			
3	2	XTST25S002	BOLT M 8X125	1	1	1	1	1			
4	2	XTST25S003	PIPE, OUTER	1	1	1	1	1			
5	2	XTST25S004	PLUG M 8	1	1	1	1	1			
6	2	XTST25S005	PACKING	1	1	1	1	1			
7	2	26664-080002	CAP NUT M 8	1	1	1	1	1			
8	2	XTST25S007	COVER	1	1	1	1	1			
9	2	XTST25S008	PACKING	2	2	2	2	2			
10	2	XTST25S009	FILTER	1	1	1	1	1			
11	2	24311-000060	O-RING 1A P-6.0	1	1	1	1	1			
12	1	23072-101000	HOSE (25/33X1000)	1	1	1	1	1			
13	1	23000-041000	HOSE CLAMP 41	2	2	2	2	2			
I 13-1	1	129670-49500	HOSE CLIP 38	2	2	2	2	2		R	
		(A=E/#23959) (B=E/#23959) (C=E/#23959) (D=E/#11597)									
14	1	26116-080302	BOLT 8X30	2	2	2	2	2			
15	1	26703-080002	NUT M 8	2	2	2	2	2			

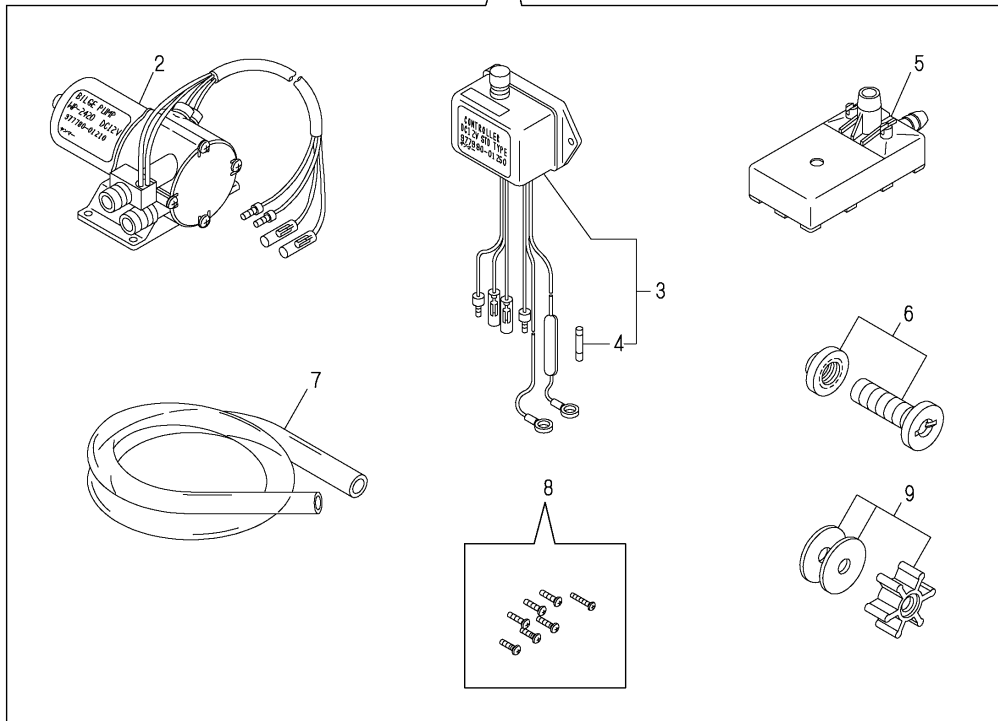
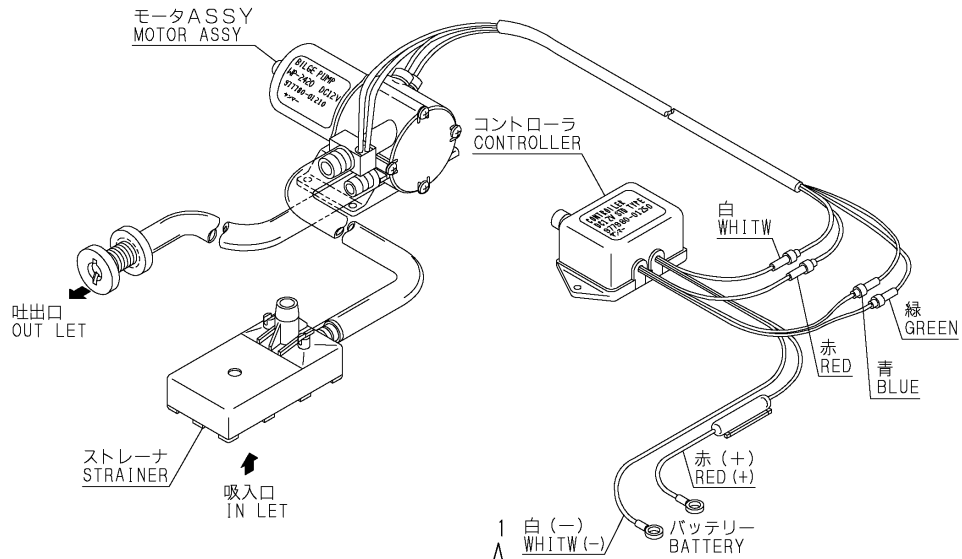
Fig.36.FUEL INJECTION PUMP(4JH3-TE)



(A)=4JH3E (D)=4JH3-TE
 (B)=4JH3CE (E)=4JH3-TCE
 (C)=4JH3CE1 (F)=

REF.	LEV.	PARTS NO.	DESCRIPTION	QTY						I	R	
				(A)	(B)	(C)	(D)	(E)	(F)			
1	1	121450-01560	STUD M 8X 22				1	1				
2	1	129673-51250	RETAINER				1	1				
3	1	129671-51900	FUEL INJ. PUMP ASSY				1	1				
4	2	119171-67200	SOLENOID, FUEL CUT				1	1				
5	2	129693-67210	SPRING				1	1				
6	2	119171-59200	BOLT, PIPE JOINT				1	1				
7	2	X1466584820	WIRE				1	1				
8	1	129673-54030	BRACKET				1	1				
9	1	24341-000500	O-RING 1A S-50.0				1	1				
10	1	26106-080652	BOLT M 8X 65 PLATED				3	3				
11	1	26106-080752	BOLT M 8X 75 PLATED				1	1				
12	1	26106-100182	BOLT M10X 18 PLATED				1	1				
13	1	26106-100222	BOLT M10X 22 PLATED				2	2				
14	1	26216-080282	STUD M 8X 28 PLATED				3	3				
15	1	26306-080002	NUT				3	3				
16	1	26306-080002	NUT				5	5				
17	1	121850-51960	O-RING, F.I.PUMP				1	1				
I 18	1	129930-61950	CAP				1	1				W
			(D=E/#10223)									
I 19	1	129930-61960	CAP				1	1				W
			(D=E/#10223)									
20	1	129691-25900	GEAR, F.I. PUMP				1	1				

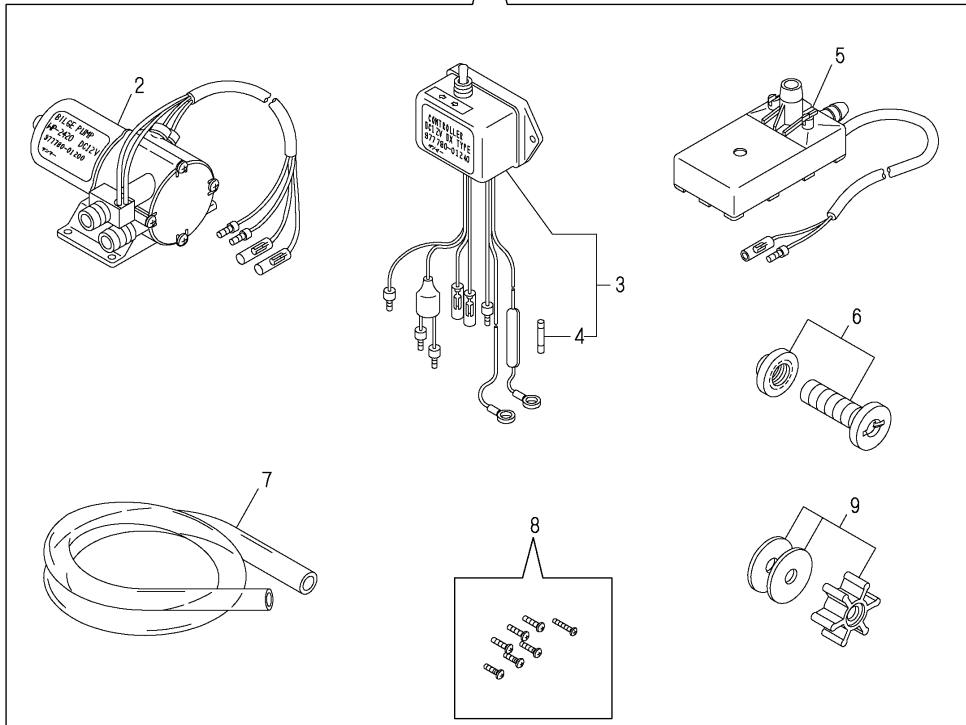
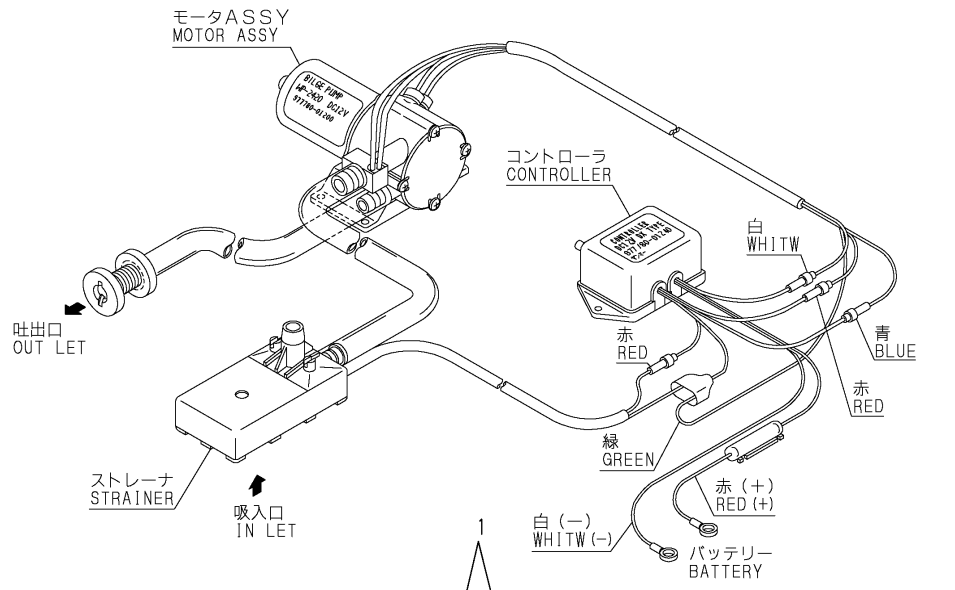
Fig.33.BILGE PUMP(STD)



(A)=4JH3E (D)=4JH3-TE
(B)=4JH3CE (E)=4JH3-TCE
(C)=4JH3CE1 (F)=

REF.	LEV.	PARTS NO.	DESCRIPTION	QTY						I	R
				(A)	(B)	(C)	(D)	(E)	(F)		
1	1	977780-01210	PUMP(12V).BILGE	1	1	1	1	1			
2	2	977780-01230	MOTOR ASSY(BILG PUMP)	1	1	1	1	1			
3	2	977780-01250	CONTROLLER	1	1	1	1	1			
4	3	X8636008003	FUSE	1	1	1	1	1			
5	2	X179100021X	STRAINER	1	1	1	1	1			
6	2	X179100100X	PIPE ASSY	1	1	1	1	1			
7	2	X0044021509	HOSE A	1	1	1	1	1			
8	2	X199903800X	SCREW KIT	1	1	1	1	1			
9	2	977780-03000	INPELLER	1	1	1	1	1			

Fig.34.BILGE PUMP(DX)

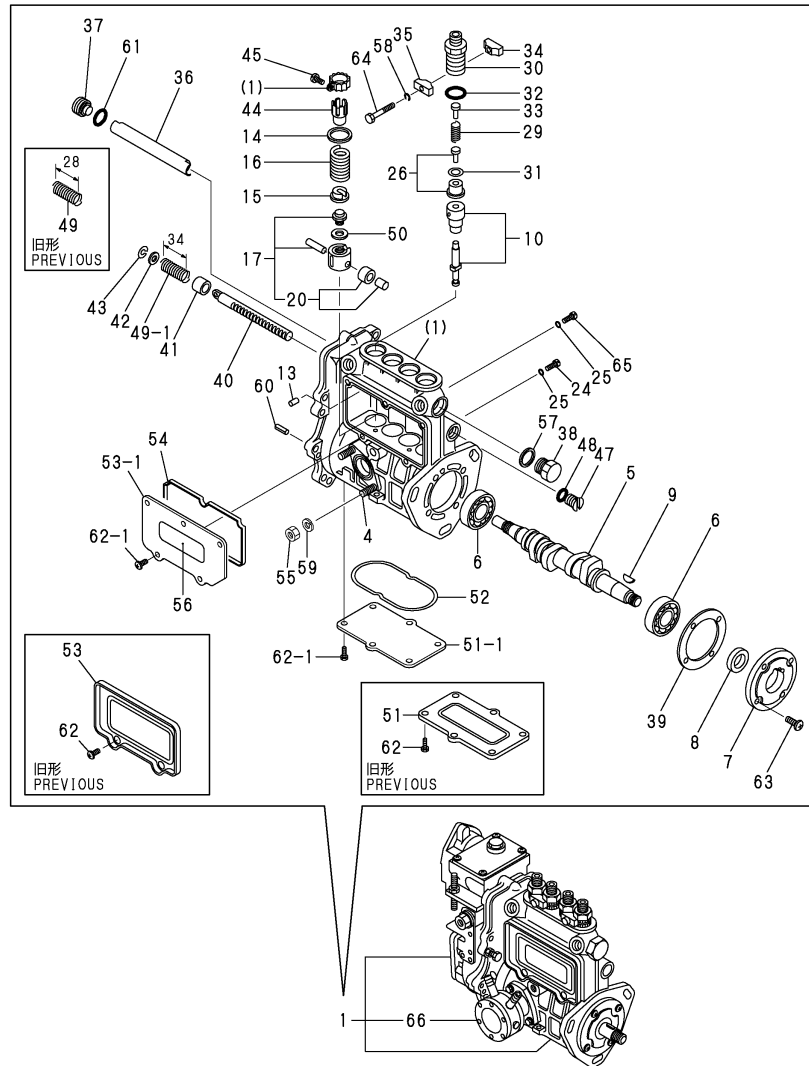


(A)=4JH3E (D)=4JH3-TE
 (B)=4JH3CE (E)=4JH3-TCE
 (C)=4JH3CE1 (F)=

REF.	LEV.	PARTS NO.	DESCRIPTION	QTY						I	R
				(A)	(B)	(C)	(D)	(E)	(F)		
1	1	977780-01200	PUMP(12V).BILGE	1	1	1	1	1			
2	2	977780-01230	MOTOR ASSY(BILG PUMP)	1	1	1	1	1			
3	2	977780-01240	CONTROLLER	1	1	1	1	1			
4	3	X8636008003	FUSE	1	1	1	1	1			
5	2	X179100011X	STRAINER	1	1	1	1	1			
6	2	X179100100X	PIPE ASSY	1	1	1	1	1			
7	2	X0044021509	HOSE A	1	1	1	1	1			
8	2	X199903800X	SCREW KIT	1	1	1	1	1			
9	2	977780-03000	INPELLER	1	1	1	1	1			

Fig.35.FUEL INJECTION PUMP(4JH3E)

P/C NEWS No:Y00R4671-1
PUBLISHED:2004/5



Remarks
 (1)GOVERNOR ASSY(FIG.37) AND FUEL FEED PUMP ASSY(FIG.38) IS INCORPORATED IN THIS FOEL INJECTION PUMP ASSY(REF.NO.1)
 (2)INTERCHANGEABLE BY SIMULTANEOUS REPLACEMENT WITH REF.NO.62-1.

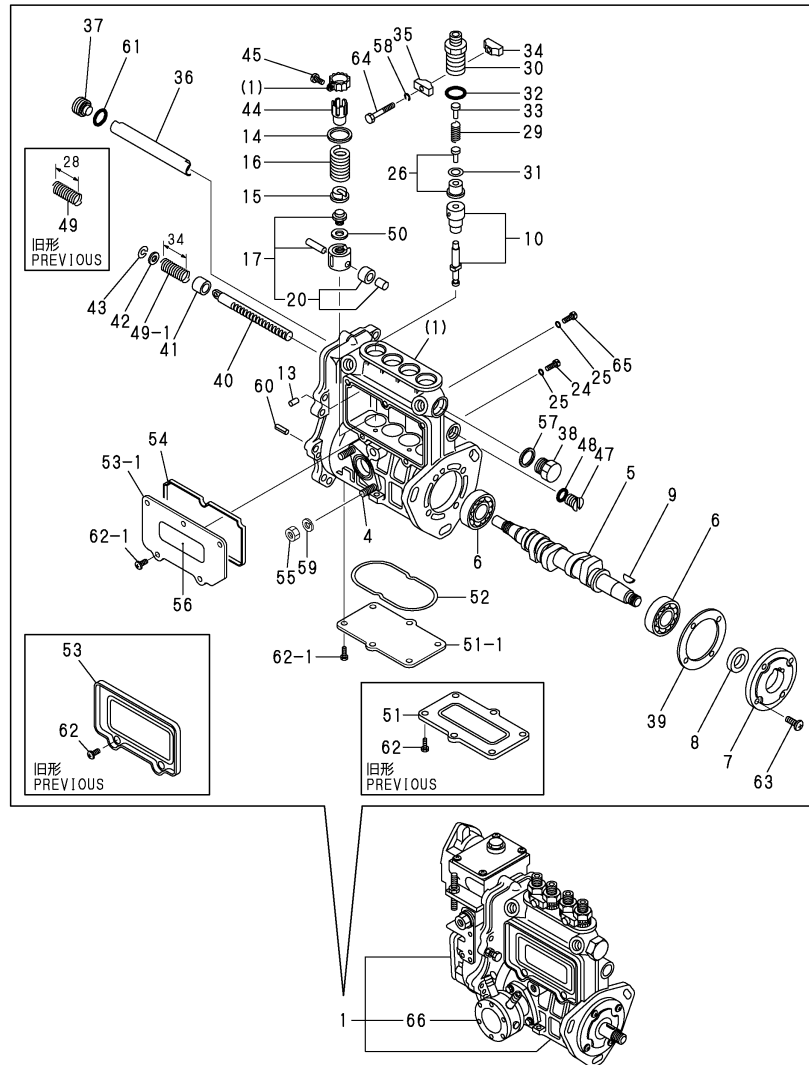
(A)=4JH3E (D)=4JH3-TE
 (B)=4JH3CE (E)=4JH3-TCE
 (C)=4JH3CE1 (F)=

REF.	LEV.	PARTS NO.	DESCRIPTION	QTY						I	R
				(A)	(B)	(C)	(D)	(E)	(F)		
1	1	729670-51300	F.I.PUMP ASSY	1	1	1					1
4	2	129155-51020	STUD, FEED PUMP	2	2	2					
5	2	129506-51040	CAMSHAFT	1	1	1					
6	2	122710-51050	BEARING, ROLLER	2	2	2					
7	2	129470-51060	RETAINER	1	1	1					
8	2	129470-51080	SEAL, OIL	1	1	1					
9	2	122710-51090	KEY	1	1	1					
10	2	129470-51101	PLUNGER W/BARREL	4	4	4					
13	2	129155-51140	PIN, BARREL LOCKING	4	4	4					
14	2	174307-51170	RETAINER A	4	4	4					
15	2	129155-51180	SPRING SHOE, PLUNGER	4	4	4					
16	2	124950-51190	SPRING, PLUNGER	4	4	4					
17	2	129155-51200	TAPPET ASSY	4	4	4					
20	3	711100-51540	ROLLER ASSY	4	4	4					
24	2	129155-51270	LOCKING, TAPPET	4	4	4					
25	2	129155-51280	O-RING S6	5	5	5					
26	2	129670-51300	VALVE ASSY	4	4	4					
29	2	129573-51330	SPRING, DELY. VALVE	4	4	4					
30	2	129573-51340	GUARD, DELY. VALVE	4	4	4					
31	2	124550-51350	GASKET, DELIVERY	4	4	4					
32	2	124550-51370	O-RING, DELIVERY	4	4	4					
33	2	129573-51370	STOPPER, VALVE	4	4	4					
34	2	129155-51380	LOCKING (A)	2	2	2					
35	2	129155-51390	LOCKING (B)	2	2	2					
36	2	129555-51400	DEFLECTER	1	1	1					
37	2	129155-51410	CHECK BOLT,DEFLECTOR	1	1	1					
38	2	129155-51420	PLUG (M16)	1	1	1					
39	2	129155-51450	SHIM SET, ADJUSTING	1	1	1					
40	2	129555-51500	RACK, CONTROL	1	1	1					
41	2	129155-51521	BUSH, RACK	1	1	1					
42	2	129155-51530	SPACER, AUX. SPRING	1	1	1					
43	2	129155-51540	CIRCLIP	1	1	1					
44	2	129155-51550	PINION, CONTROL	4	4	4					
45	2	122117-51560	SCREW, PINION	4	4	4					
45-1	2	129100-51570	SCREW	4	4	4					N
(A=E/#24410) (B=E/#24410) (C=E/#24410)											
47	2	129155-51570	PLUG (M12)	1	1	1					
48	2	129155-51580	O-RING	1	1	1					
49	2	129155-51591	SPRING, RACK	1	1	1					
I 49-1	2	129190-51590	SPRING, RACK	1	1	1					N
(A=*2003.12) (B=*2003.12) (C=*2003.12)											
50	2	129155-51600	SHIM PACK	4	4	4					
51	2	129555-51700	COVER	1	1						
51-1	2	129555-51701	COVER	1	1	1					F 2
(A=E/#21367) (B=E/#21367)											
52	2	129555-51710	GASKET	1	1	1					
52-1	2	129555-51711	GASKET	1	1	1					N
(A=E/#23803) (B=E/#23803) (C=E/#23803)											
53	2	129555-51750	COVER, SIDE	1	1						
53-1	2	129555-51751	COVER, SIDE	1	1	1					F 2
(A=E/#21367) (B=E/#21367)											
54	2	129555-51760	GASKET	1	1	1					
I 54-1	2	129555-51761	GASKET, SIDE COVER	1	1	1					N
(A=*2003.10) (B=*2003.10) (C=*2003.10)											

++ CONTINUE ++

Fig.35.FUEL INJECTION PUMP(4JH3E)

P/C NEWS No:Y00R4671-1
PUBLISHED:2004/5



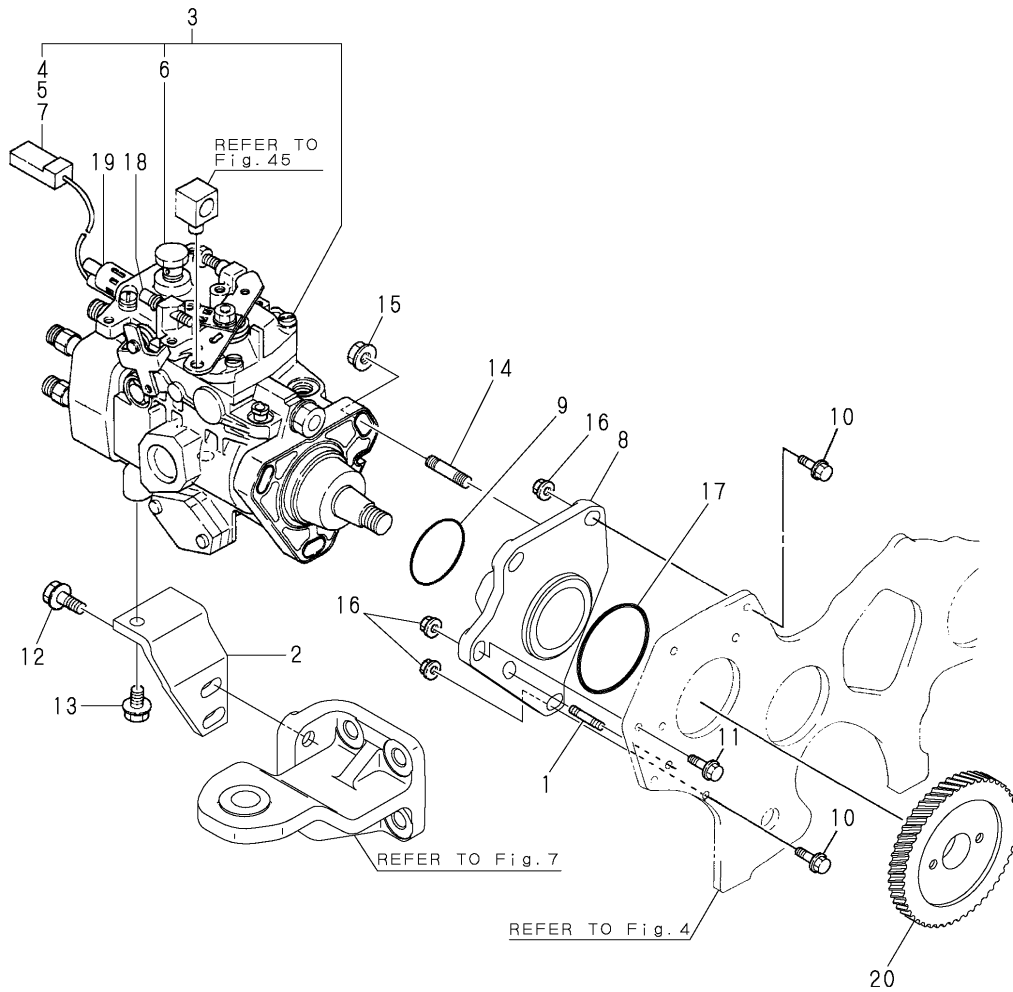
Remarks
 (1)GOVERNOR ASSY(FIG.37) AND FUEL FEED PUMP ASSY(FIG.38) IS INCORPORATED IN THIS FOEL INJECTION PUMP ASSY(REF.NO.1)
 (2)INTERCHANGEABLE BY SIMULTANEOUS REPLACEMENT WITH REF.NO.62-1.

(A)=4JH3E (D)=4JH3-TE
 (B)=4JH3CE (E)=4JH3-TCE
 (C)=4JH3CE1 (F)=

REF.	LEV.	PARTS NO.	DESCRIPTION	QTY						I	R
				(A)	(B)	(C)	(D)	(E)	(F)		
55	2	26716-060002	NUT 6	2	2	2					
56	2	129156-51910	LABEL, CAUTION	1	1	1					
57	2	22190-160002	SEAL WASHER 16S	1	1	1					
58	2	22217-050000	SPRING WASHER 5	2	2	2					
59	2	22217-060000	SPRING WASHER 6	2	2	2					
60	2	22351-050010	SPRING PIN 5X10	2	2	2					
61	2	24341-000160	O-RING 1A S-16.0	1	1	1					
62	2	26022-050102	SCREW M 5X 10	11	11						
62-1	2	26022-050122	SCREW M 5X 12	11	11	11					N
		(A=E/#21367) (B=E/#21367)									
63	2	26022-060162	SCREW M 6X 16	4	4	4					
64	2	26116-050302	BOLT M 5X 30 PLATED	2	2	2					
65	2	129155-51790	LOCKING, RACK	1	1	1					
66	2	129158-52000	FUEL PUMP ASSY	1	1	1					

Fig.36.FUEL INJECTION PUMP(4JH3-TE)

(A)=4JH3E (D)=4JH3-TE
 (B)=4JH3CE (E)=4JH3-TCE
 (C)=4JH3CE1 (F)=

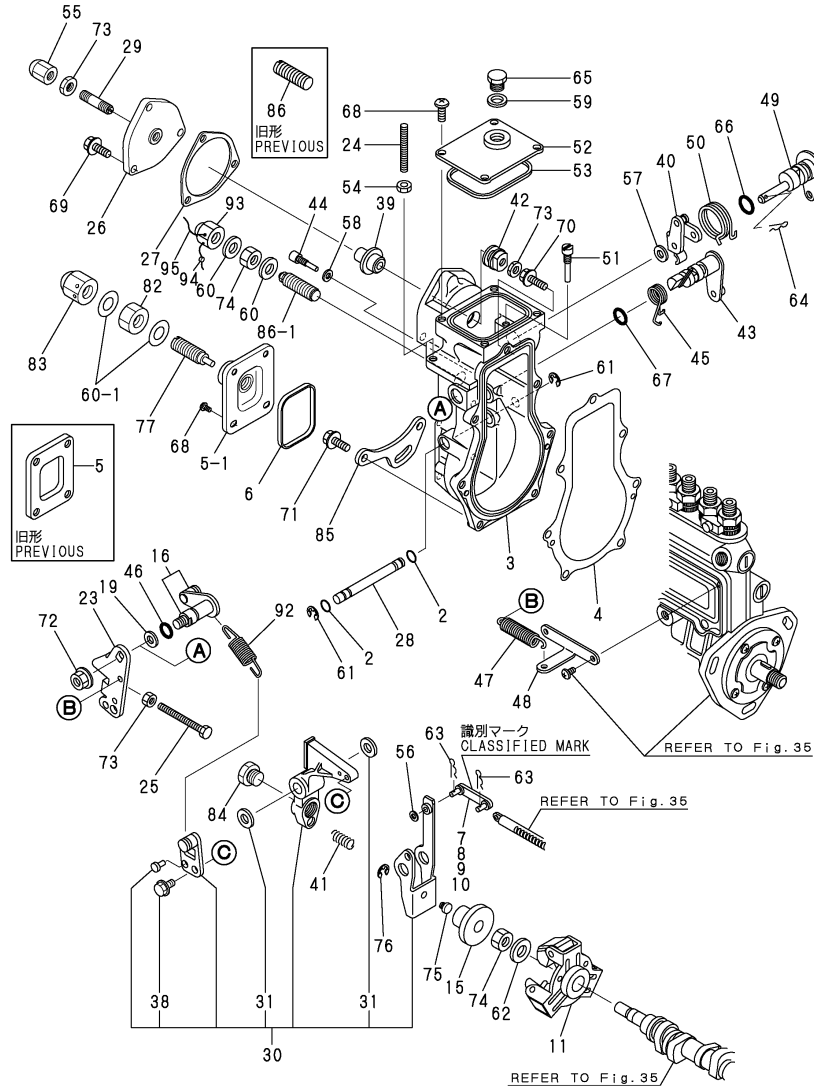


REF.	LEV.	PARTS NO.	DESCRIPTION	QTY						I	R
				(A)	(B)	(C)	(D)	(E)	(F)		
1	1	121450-01560	STUD M 8X 22				1	1			
2	1	129673-51250	RETAINER				1	1			
3	1	129671-51900	FUEL INJ. PUMP ASSY				1	1			
4	2	119171-67200	SOLENOID, FUEL CUT				1	1			
5	2	129693-67210	SPRING				1	1			
6	2	119171-59200	BOLT, PIPE JOINT				1	1			
7	2	X1466584820	WIRE				1	1			
8	1	129673-54030	BRACKET				1	1			
9	1	24341-000500	O-RING 1A S-50.0				1	1			
10	1	26106-080652	BOLT M 8X 65 PLATED				3	3			
11	1	26106-080752	BOLT M 8X 75 PLATED				1	1			
12	1	26106-100182	BOLT M10X 18 PLATED				1	1			
13	1	26106-100222	BOLT M10X 22 PLATED				2	2			
14	1	26216-080282	STUD M 8X 28 PLATED				3	3			
15	1	26306-080002	NUT				3	3			
16	1	26306-080002	NUT				5	5			
17	1	121850-51960	O-RING, F.I.PUMP				1	1			
I 18	1	129930-61950	CAP				1	1			W
			(D=E/#10223)								
I 19	1	129930-61960	CAP				1	1			W
			(D=E/#10223)								
20	1	129691-25900	GEAR, F.I. PUMP				1	1			

(A)=4JH3E (D)=4JH3-TE
 (B)=4JH3CE (E)=4JH3-TCE
 (C)=4JH3CE1 (F)=

Fig.37.GOVERNOR

P/C NEWS No:Y00R4671-1
 PUBLISHED:2004/5



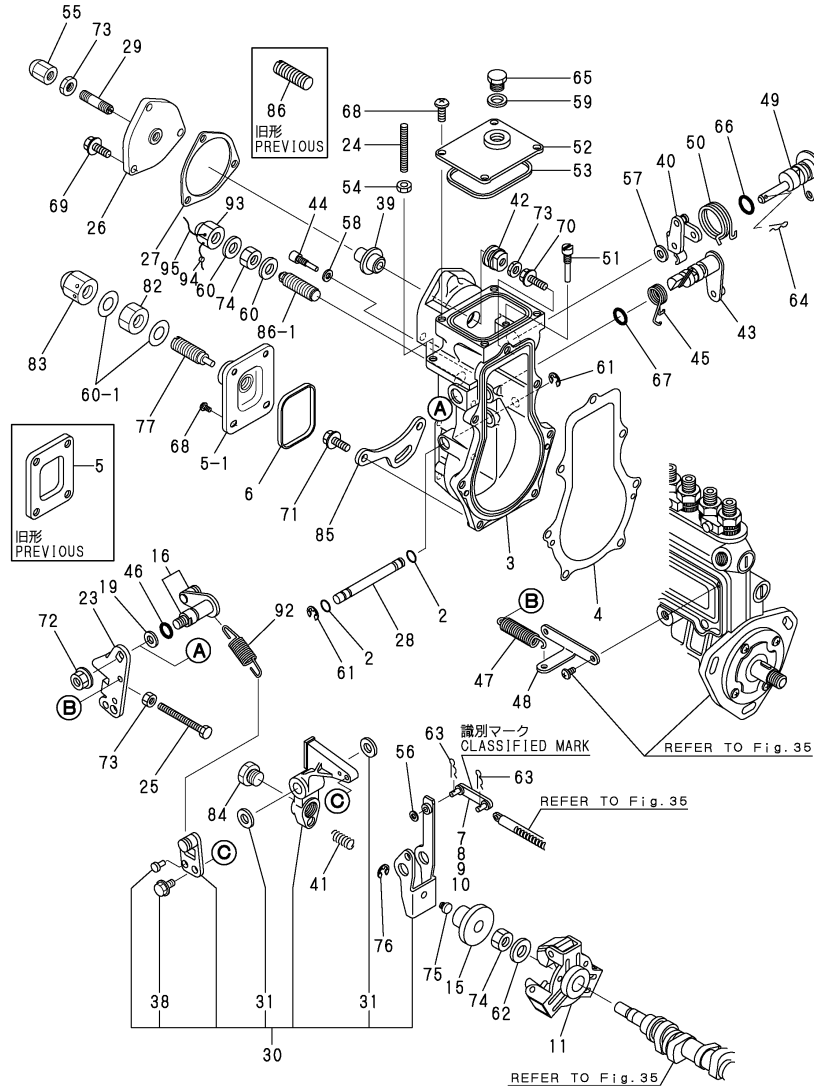
Remarks
 (1)SELECTIVE PART: CERTAIN THE CLASSIFICATION MARK WHEN PLACE YOUR ORDER.(REFER TO THE ILLUSTRATION)
 (2)INTERCHANGEABLE BY SIMULTANEOUS REPLACEMENT WITH REF.NO.5-1,60-1, 77,82,83,84.

REF.	LEV.	PARTS NO.	DESCRIPTION	QTY						I	R
				(A)	(B)	(C)	(D)	(E)	(F)		
2	2	129155-51280	O-RING S6	2	2	2					
3	2	129595-61012	HOUSING,GOVERNOR	1	1	1					
4	2	129595-61050	GASKET	1	1	1					
5	2	129155-61060	COVER, GOVERNOR CASE	1	1	1					
I 5-1	2	129690-61060	COVER,GOVERNOR CASE	1	1	1					F 2
		(A=*2004.04) (B=*2004.04) (C=*2004.04)									
6	2	129155-61070	GASKET, CASE COVER	1	1	1					
I 6-1	2	129155-61071	GASKET, CASE COVER	1	1	1					N
		(A=*2003.10) (B=*2003.10) (C=*2003.10)									
7	2	129155-61120	LINK L=30(MARK 0)	1	1	1					1
8	2	129155-61130	LINK L=31(MARK 1)	1	1	1					1
9	2	129155-61140	LINK L=30.5(MARK 05)	1	1	1					1
10	2	129155-61180	LINK L=29(MARK 9)	1	1	1					1
11	2	129595-61200	WEIGHT ASSY, GOV.	1	1						
11-1	2	129595-61201	WEIGHT ASSY	1	1	1					R
		(A=E/#21367) (B=E/#21367)									
15	2	129155-61341	SLEEVE	1	1	1					
16	2	129100-61400	SHAFT ASSY, CONTROL	1	1	1					
19	2	129155-61430	SPACER, SHAFT	1	1	1					
23	2	129499-61440	THROTTLE LEVER	1	1	1					
24	2	129155-61450	BOLT, REVOL. LIMIT	1	1	1					
25	2	129155-61460	BOLT, IDLE LIMIT	1	1	1					
26	2	129497-61470	COVER	1	1	1					
27	2	129497-61480	PACKING	1	1	1					
28	2	129155-61490	SHAFT, GOV. LEVER	1	1	1					
29	2	129497-61490	ROD	1	1	1					
30	2	129131-61500	LEVER ASSY, GOVERNOR	1	1	1					
31	3	174307-51700	SHIM SET	2	2	2					
38	3	26106-06012	BOLT M 6X 10 PLATED	1	1	1					
39	2	129595-61610	BUSH	1	1	1					
40	2	129595-61631	LEVER	1	1	1					
41	2	129470-61650	SPRING, FUEL CONTROL	1	1	1					
42	2	129595-61660	RING	1	1	1					
43	2	129595-61802	LEVER, STOP	1	1	1					
44	2	129155-61810	PIN, STOP LEVER	1	1	1					
45	2	129595-61821	SPRING	1	1	1					
46	2	129155-61830	O-RING S10	1	1	1					
47	2	129499-61870	SPRING, RETURN	1	1	1					
48	2	129499-61890	RETAINER	1	1	1					
49	2	129595-61901	LEVER	1	1	1					
50	2	129595-61911	SPRING	1	1	1					
51	2	129595-61931	PIN	1	1	1					
52	2	129595-61951	COVER	1	1	1					
53	2	129595-61961	GASKET	1	1	1					
I 53-1	2	129595-61962	GASKET, UPPER COVER	1	1	1					N
		(A=*2003.10) (B=*2003.10) (C=*2003.10)									
54	2	124550-66370	LOCK NUT M 6	1	1	1					
55	2	119600-66840	NUT, CAP	1	1	1					
56	2	22117-040000	WASHER 4	1	1	1					
57	2	22117-060000	WASHER 6	1	1	1					
58	2	22190-060002	SEAL WASHER 6S	4	4	4					
59	2	22190-100002	SEAL WASHER 10S	1	1	1					
60	2	22190-120002	SEAL WASHER 12	2	2	2					
I 60-1	2	22190-120002	SEAL WASHER 12	4	4	4					K

++ CONTINUE ++

Fig.37.GOVERNOR

P/C NEWS No:Y00R4671-1
PUBLISHED:2004/5



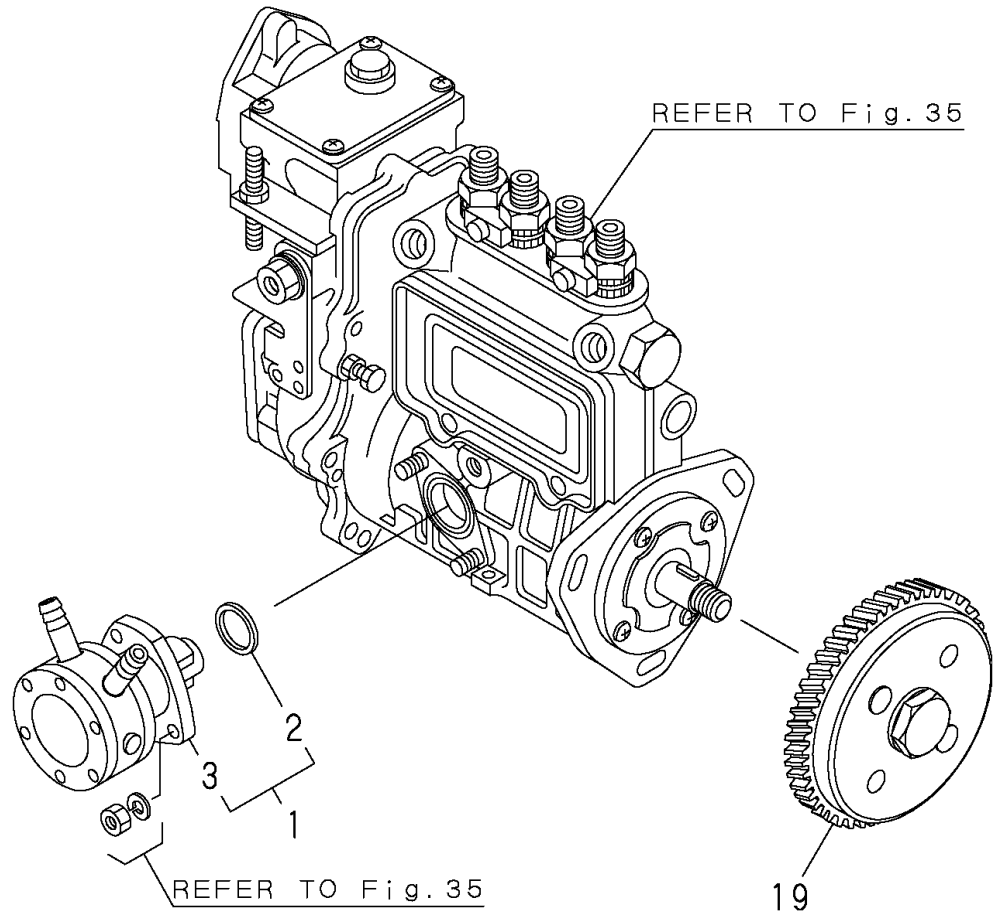
Remarks
 (1)SELECTIVE PART: CERTAIN THE CLASSIFICATION MARK WHEN PLACE YOUR ORDER.(REFER TO THE ILLUSTRATION)
 (2)INTERCHANGEABLE BY SIMULTANEOUS REPLACEMENT WITH REF.NO.5-1,60-1, 77,82,83,84.

(A)=4JH3E (D)=4JH3-TE
 (B)=4JH3CE (E)=4JH3-TCE
 (C)=4JH3CE1 (F)=

REF.	LEV.	PARTS NO.	DESCRIPTION	QTY						I	R	
				(A)	(B)	(C)	(D)	(E)	(F)			
		(A=*2004.04)	(B=*2004.04)	(C=*2004.04)								
61	2	22272-00060	CIRCLIP E- 6	2	2	2						
62	2	22287-120000	WASHER 12	1	1	1						
63	2	22372-040000	SNAP PIN 4	2	2	2						
64	2	22372-060000	SNAP PIN 6	1	1	1						
65	2	23887-100002	PLUG 10	1	1	1						
66	2	24311-000110	O-RING 1A P-11.0	1	1	1						
67	2	24311-240100	O-RING 1A P-10A	1	1	1						
68	2	26022-050102	SCREW M 5X 10	8	8	8						
69	2	26106-060102	BOLT M 6X 10 PLATED	3	3	3						
70	2	26106-060182	BOLT M 6X 18 PLATED	1	1	1						
71	2	26106-060202	BOLT M 6X 20 PLATED	6	6	6						
72	2	26366-080002	NUT M 8	1	1	1						
73	2	26756-060002	LOCK NUT 6	3	3	3						
74	2	26776-120002	LOCK NUT M12 PLATED	2	2	2						
75	2	129155-61540	SHIFTER	1	1	1						
76	2	22272-000040	CIRCLIP E- 4	1	1	1						
I 77	2	127692-61550	IDLE SUB.	1	1	1					W	2
		(A=*2004.04)	(B=*2004.04)	(C=*2004.04)								
I 82	2	26777-120002	NUT, 12	1	1	1					W	2
		(A=*2004.04)	(B=*2004.04)	(C=*2004.04)								
I 83	2	129100-61930	NUT, CAP	1	1	1					W	2
		(A=*2004.04)	(B=*2004.04)	(C=*2004.04)								
I 84	2	129470-61590	PLUG	1	1	1					W	2
		(A=*2004.04)	(B=*2004.04)	(C=*2004.04)								
85	1	129595-61080	SUPPORT	1	1	1						
86	1	129155-61470	BOLT, FUEL CONTROL	1	1							
86-1	1	129497-61450	TORQUE SPRING ASSY.	1	1	1						S
		(A=E/#20550)	(B=E/#20550)									
92	1	129100-61730	SPRING	1	1	1						
93	1	129100-61930	NUT, CAP	1	1	1						
94	1	135210-61090	LEAD	1	1	1						
95	1	22453-060000	WIRE 0.6	1	1	1						
95-1	1	120325-61100	WIRE 1.0	1	1	1						N
		(A=E/#25748)	(B=E/#25748)	(C=E/#25748)								

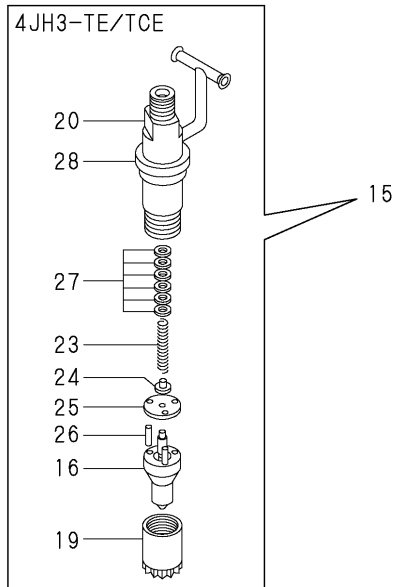
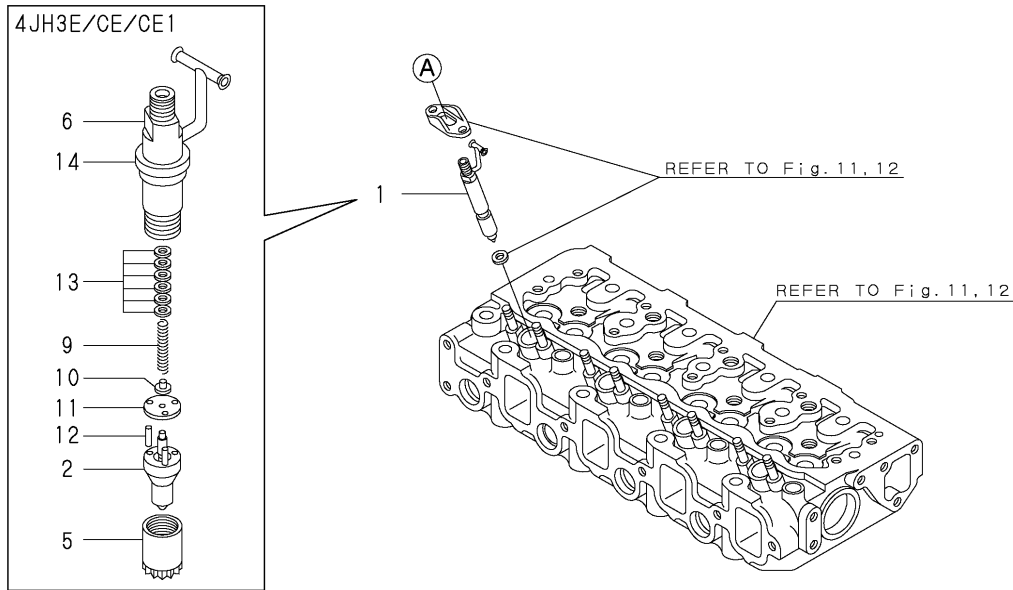
Fig.38.FUEL FEED PUMP & TIMER

(A)=4JH3E (D)=4JH3-TE
 (B)=4JH3CE (E)=4JH3-TCE
 (C)=4JH3CE1 (F)=



REF.	LEV.	PARTS NO.	DESCRIPTION	QTY						I	R	
				(A)	(B)	(C)	(D)	(E)	(F)			
1	1	129158-52000	FUEL PUMP ASSY	1	1	1						
2	2	129155-52050	GASKET	1	1	1						
3	2	129158-52100	FEED PUMP ASSY	1	1	1						
19	1	729499-54100	TIMER ASSY.	1	1	1						

Fig.39.FUEL INJECTION VALVE

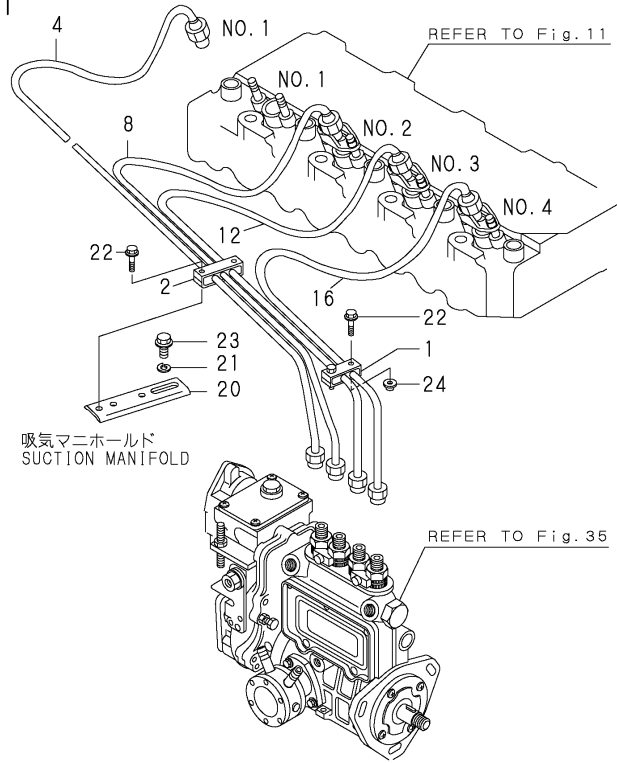


(A)=4JH3E (D)=4JH3-TE
(B)=4JH3CE (E)=4JH3-TCE
(C)=4JH3CE1 (F)=

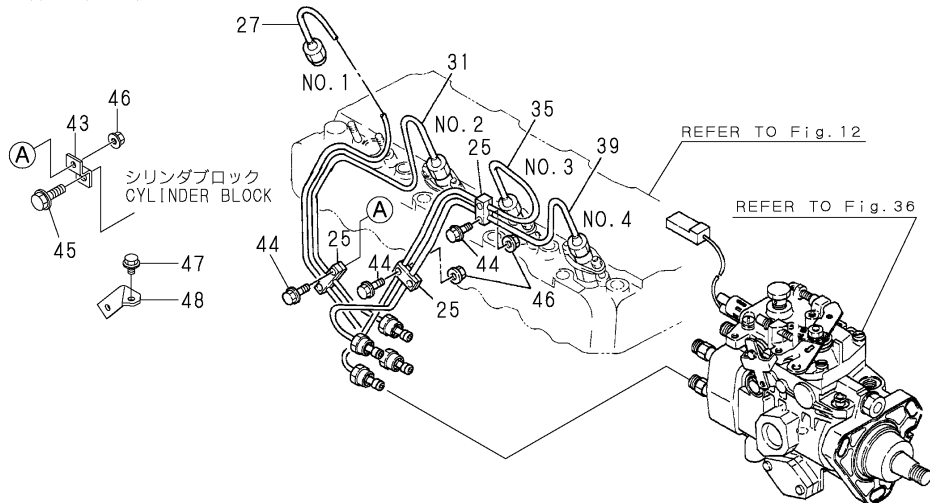
REF.	LEV.	PARTS NO.	DESCRIPTION	QTY						I	R	
				(A)	(B)	(C)	(D)	(E)	(F)			
1	1	729670-53100	VALVE ASSY,F.I.INJEC	4	4	4						
2	2	129468-53000	NOZZL ASSY,F.INJECT	4	4	4						
5	2	114250-53080	NUT, NOZZLE CASE	4	4	4						
6	2	129100-53100	HOLDER ASSY, NOZZLE	4	4	4						
9	2	114250-53120	SPRING, NOZZLE	4	4	4						
10	2	114250-53130	SEAT, NOZZLE SPRING	4	4	4						
11	2	114250-53140	PLATE, STOP	4	4	4						
12	2	114250-53210	PIN	8	8	8						
13	2	114250-53400	SHIM PACK	4	4	4						
14	2	129470-11920	GASKET	4	4	4						
15	1	729671-53100	VALVE ASSY. F.INJECT							4		
I	15-1	1	729671-53101	ALVE ASSY. F.INJECT						4	4	N
				(D=E/#10799)								
16	2	129671-53000	NOZZLE CMP							4		
I	16-1	2	129671-53001	NOZZLE CMP						4	4	N
				(D=E/#10799)								
19	2	114250-53080	NUT, NOZZLE CASE							4	4	
20	2	129100-53100	HOLDER ASSY, NOZZLE							4	4	
23	2	114250-53120	SPRING, NOZZLE							4	4	
24	2	114250-53130	SEAT, NOZZLE SPRING							4	4	
25	2	114250-53140	PLATE, STOP							4	4	
26	2	114250-53210	PIN							8	8	
27	2	114250-53400	SHIM PACK							4	4	
28	2	129470-11920	GASKET							4	4	

Fig.40.FUEL INJECTION PIPE

4JH3E/CE/CE1



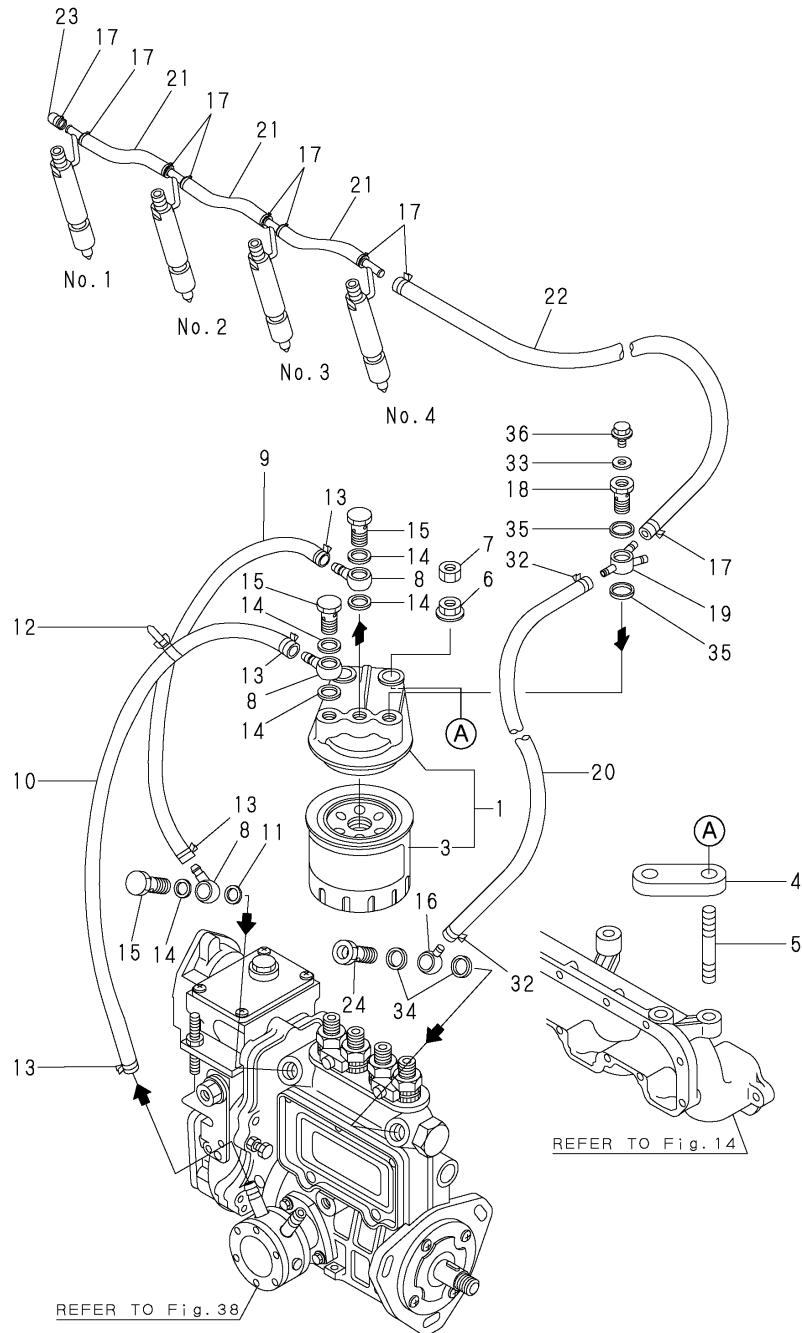
4JH3-TE/TCE



(A)=4JH3E (D)=4JH3-TE
(B)=4JH3CE (E)=4JH3-TCE
(C)=4JH3CE1 (F)=

REF.	LEV.	PARTS NO.	DESCRIPTION	QTY						I	R
				(A)	(B)	(C)	(D)	(E)	(F)		
1	1	122780-59100	RETAINER	2	2	2					
2	1	123372-59100	CLAMP	2	2	2					
4	1	129499-59812	PIPE,FUEL INJECTION	1	1	1					
8	1	129499-59822	PIPE,FUEL INJECTION	1	1	1					
12	1	129499-59832	PIPE,FUEL INJECTION	1	1	1					
16	1	129499-59842	PIPE,FUEL INJECTION	1	1	1					
20	1	121870-59930	STAY	1	1	1					
21	1	22217-080000	SPRING WASHER 8	1	1	1					
22	1	26106-060202	BOLT M 6X 20 PLATED	4	4	4					
23	1	26106-080202	BOLT M 8X 20 PLATED	1	1	1					
24	1	26366-060002	NUT M 6	2	2	2					
25	1	122780-59100	RETAINER						6		
I 25-1	1	122780-59100	RETAINER						4	4	K
			(D=E/#10223)								
27	1	129693-59810	PIPE, FUEL INJECTION						1		
I 27-1	1	129693-59811	PIPE, FUEL INJECTION						1	1	N
			(D=E/#10399)								
31	1	129693-59820	PIPE, FUEL INJECTION						1		
I 31-1	1	129693-59821	PIPE, FUEL INJECTION						1	1	N
			(D=E/#10399)								
35	1	129693-59830	PIPE, FUEL INJECTION						1	1	
39	1	129693-59840	PIPE, FUEL INJECTION						1	1	
43	1	129574-59950	SUPPORT						1	1	
44	1	26106-060202	KNOB						6		
I 44-1	1	26106-060202	BOLT M 6X 20 PLATED						4	4	K
			(D=E/#10223)								
45	1	26106-080122	BOLT M 8X 12 PLATED						1	1	
46	1	26366-060002	NUT M 6						5		
I 46-1	1	26366-060002	NUT M 6						4		K
			(D=E/#10223)								
I 46-2	1	26366-060002	NUT M 6						6	6	K
			(D=E/#10223)								
I 47	1	26106-060102	BOLT M 6X 10 PLATED						1	1	W
			(D=E/#10017)								
I 48	1	129673-59950	CLAMP(F.I.LINE)						1	1	W
			(D=E/#10017)								

Fig.41.FUEL PIPE(4JH3E)



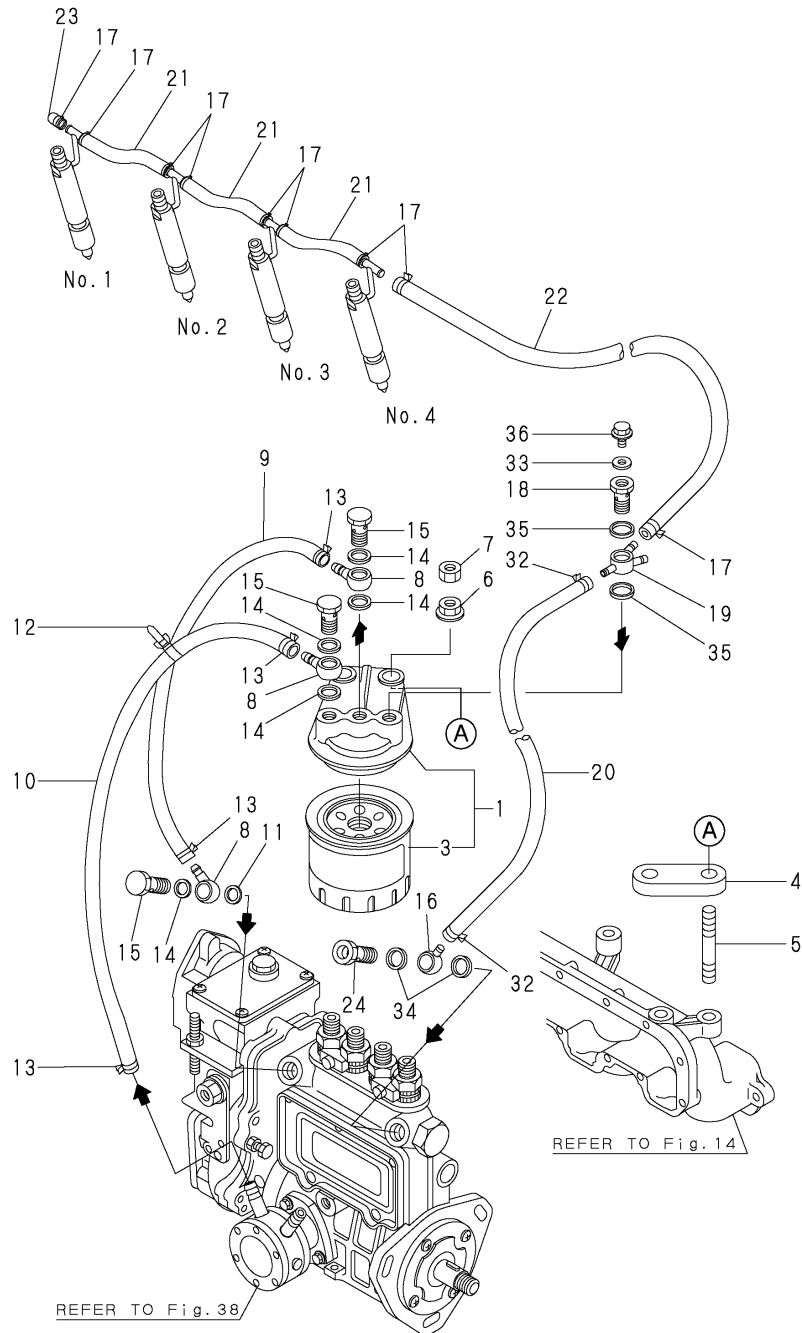
(A)=4JH3E (D)=4JH3-TE
 (B)=4JH3CE (E)=4JH3-TCE
 (C)=4JH3CE1 (F)=

REF.	LEV.	PARTS NO.	DESCRIPTION	QTY						I	R
				(A)	(B)	(C)	(D)	(E)	(F)		
1	1	129470-55601	STRAINER ASSY, FUEL	1	1	1					
3	2	129470-55701	STRAINER ASSY, FUEL	1	1	1					
4	1	119173-55700	RUBBER	1	1	1					
5	1	26216-100452	STUD M10X 45 PLATED	2	2	2					
6	1	26306-100002	NUT	2	2	2					
7	1	26716-100002	NUT 10	2	2	2					
8	1	101304-59020	JOINT 12, PIPE	3	3	3					
9	1	129470-59120	PIPE, FUEL OIL	1	1						
I	9-1	129470-59121	PIPE,FUEL	1	1						N
		(A=E/#21010) (B=E/#21010)									
I	9-2	129470-59122	PIPE, FUEL OIL	1	1	1					R
		(A=E/#21367) (B=E/#21367)									
10	1	129470-59120	PIPE, FUEL OIL	1	1						
I	10-1	129570-59120	PIPE,FUEL	1	1						N
		(A=E/#21010) (B=E/#21010)									
I	10-2	129570-59121	PIPE, FUEL OIL	1	1	1					R
		(A=E/#21367) (B=E/#21367)									
11	1	104200-59170	GASKET 12	1	1	1					
12	1	121750-59890	CLAMP 140	1	1	1					
13	1	23080-013000	HOSE CLAMP 13	4	4						
I	13-1	23000-019000	CLAMP 19	4	4						N
		(A=E/#21010) (B=E/#21010)									
I	13-2	23000-016000	CLAMP 16	4	4	4					N
		(A=E/#21367) (B=E/#21367)									
14	1	23414-120000	GASKET 12, ROUND	5	5						
I	14-1	22190-120002	SEAL WASHER 12	5	5	5					N
		(A=E/#22733) (B=E/#22733) (C=E/#22733)									
15	1	23857-060000	JOINT BOLT 6	3	3	3					
16	1	101304-59020	JOINT 12, PIPE	1	1	1					
17	1	124066-59100	PIPE ASSY, RETURN	7	7						
I	17-1	23000-016000	CLAMP 16	7	7						N
		(A=E/#21010) (B=E/#21010)									
I	17-2	23000-013000	CLAMP 13	7	7	7					N
		(A=E/#21367) (B=E/#21367)									
18	1	129495-59300	BOLT, PIPE JOINT	1	1	1					
19	1	129470-59530	JOINT,FUEL RETN.PIPE	1	1	1					
20	1	129470-59540	PIPE, FUEL OIL	1	1						
I	20-1	129470-59541	PIPE,FUEL	1	1						N
		(A=E/#21010) (B=E/#21010)									
I	20-2	129470-59542	PIPE, FUEL OIL	1	1	1					R
		(A=E/#21367) (B=E/#21367)									
21	1	119000-59550	PIPE, FUEL RETURN	3	3						
I	21-1	129495-59552	PIPE,FUEL	3	3						N
		(A=E/#21010) (B=E/#21010)									
I	21-2	129495-59553	PIPE, FUEL OIL	3	3						R
		(A=E/#21367) (B=E/#21367)									
I	21-3	129270-59550	PIPE,FUEL OIL	3	3	3					R
		(A=E/#21459) (B=E/#21459)									
22	1	129470-59560	PIPE, FUEL RETURN	1	1						
I	22-1	129470-59561	PIPE,FUEL	1	1						N
		(A=E/#21010) (B=E/#21010)									
I	22-2	129470-59562	PIPE, FUEL OIL	1	1	1					R
		(A=E/#21367) (B=E/#21367)									
23	1	129150-59580	CAP	1	1						

++ CONTINUE ++

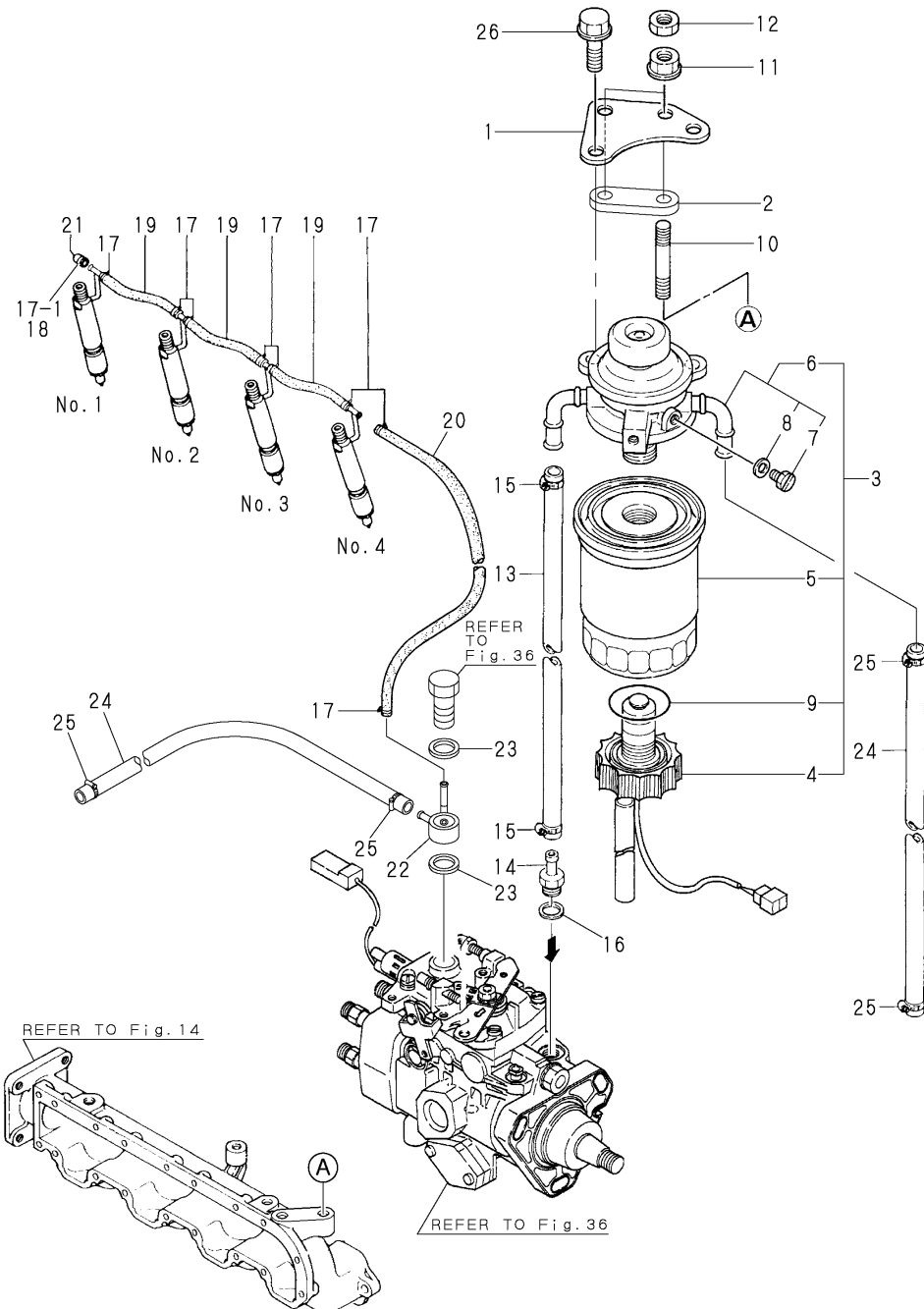
(A)=4JH3E (D)=4JH3-TE
 (B)=4JH3CE (E)=4JH3-TCE
 (C)=4JH3CE1 (F)=

Fig.41.FUEL PIPE(4JH3E)



REF.	LEV.	PARTS NO.	DESCRIPTION	QTY						I	R
				(A)	(B)	(C)	(D)	(E)	(F)		
I	23-1	1	119593-59580 CAP (A=E/#21010) (B=E/#21010)	1	1						N
I	23-2	1	129270-59580 CAP (A=E/#21367) (B=E/#21367)	1	1	1					N
	24	1	129100-59951 VALVE ASSY, CHECK	1	1	1					
	32	1	23080-013000 HOSE CLAMP 13	2	2						
I	32-1	1	23000-019000 CLAMP 19 (A=E/#21010) (B=E/#21010)	2	2						N
I	32-2	1	23000-016000 CLAMP 16 (A=E/#21367) (B=E/#21367)	2	2	2					N
	33	1	23414-080000 GASKET 8, ROUND	1	1	1					
I	33-1	1	22190-080002 SEAL WASHER 8S (A=E/#22733) (B=E/#22733) (C=E/#22733)	1	1	1					N
	34	1	23414-120000 GASKET 12, ROUND	2	2	2					
I	34-1	1	22190-120002 SEAL WASHER 12 (A=E/#22733) (B=E/#22733) (C=E/#22733)	2	2	2					N
	35	1	23414-140000 GASKET 14, ROUND	2	2	2					
I	35-1	1	22190-140002 SEAL WASHER 14S (A=E/#22733) (B=E/#22733) (C=E/#22733)	2	2	2					N
	36	1	26106-080102 BOLT M 8X 10 PLATED	1	1	1					

Fig.42.FUEL PIPE(4JH3-TE)

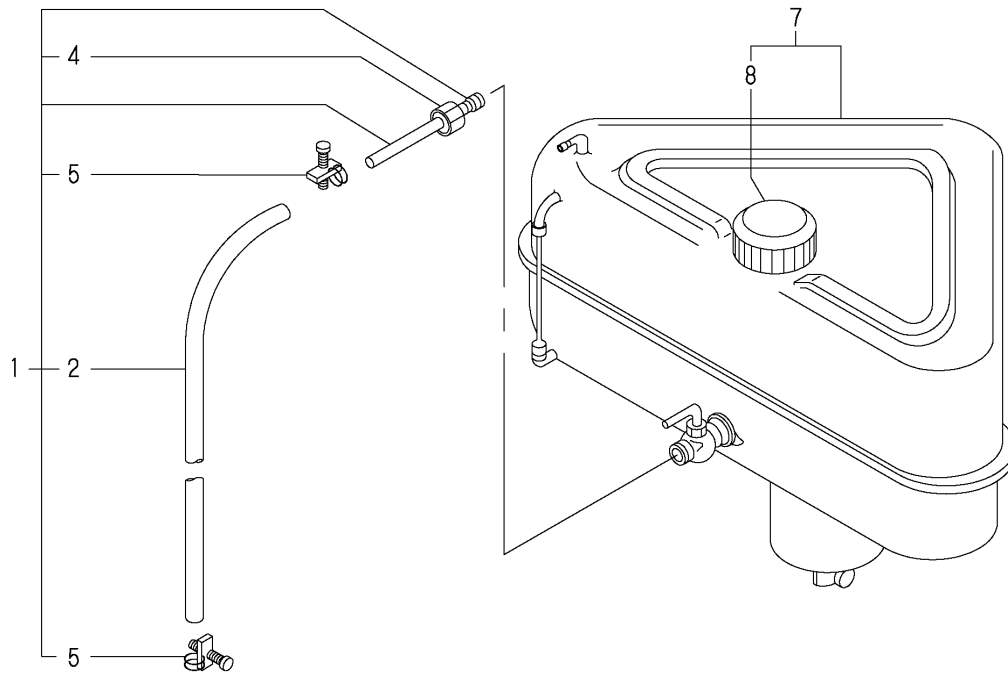


(A)=4JH3E (D)=4JH3-TE
 (B)=4JH3CE (E)=4JH3-TCE
 (C)=4JH3CE1 (F)=

REF.	LEV.	PARTS NO.	DESCRIPTION	QTY						I	R
				(A)	(B)	(C)	(D)	(E)	(F)		
1	1	129673-55650	BRACKET(FO-FILTER				2	2			
2	1	119173-55700	RUBBER				1	1			
3	1	129574-55800	STRAINER ASSY, FUEL				1	1			
4	2	129574-55730	SENSOR				1	1			
5	2	129574-55710	STRAINER				1				
I	5-1	2	129574-55711	CARTRIDGE			1	1			N
			(D=E/#11148)								
6	2	129574-55700	BODY ASSY, VALVE				1	1			
7	3	121857-55750	PLUG				1	1			
8	3	121857-55760	WASHER				1	1			
9	2	129574-55780	O-RING				1	1			W
			(D=FROM 1ST)								
10	1	26216-100352	STUD M10X 35 PLATED				2	2			
11	1	26306-100002	NUT				2	2			
12	1	26716-100002	NUT 10				2	2			
13	1	129470-59540	PIPE, FUEL OIL				1				
I	13-1	1	129673-59121	PIPE, FUEL OIL			1	1			N
			(D=E/#10216)								
14	1	119171-59910	JOINT, PIPE				1	1			
15	1	23080-013000	CLAMP 13,HOSE				2				
I	15-1	1	23000-016000	CLAMP 16			2	2			N
			(D=E/#10216)								
16	1	23414-120000	GASKET 12, ROUND				1				
I	16-1	1	22190-120002	SEAL WASHER 12			1	1			N
			(D=E/#10829)								
17	1	124722-59050	CLAMP 9				8				
I	17-1	1	23000-013000	CLAMP 13			9	9			N
			(D=E/#10216)								
I	18	1	119593-59590	CLIP			1				Z
			(D=E/#10216)								
19	1	129495-59551	PIPE, FUEL RETURN				3				
I	19-1	1	129495-59553	PIPE, FUEL OIL			3				N
			(D=E/#10216)								
I	19-2	1	129270-59550	PIPE,FUEL OIL			3	3			R
			(D=E/#10223)								
20	1	129693-59560	PIPE, FUEL RETURN				1				
I	20-1	1	129693-59562	PIPE, FUEL OIL			1	1			N
			(D=E/#10216)								
21	1	119593-59580	CAP				1				
I	21-1	1	129270-59580	CAP			1	1			N
			(D=E/#10216)								
22	1	129574-59990	JOINT				1	1			
23	1	23414-120000	GASKET 12, ROUND				2				
I	23-1	1	22190-120002	SEAL WASHER 12			2	2			N
			(D=E/#10829)								
24	1	129795-59100	PIPE L4000				1	1			
25	1	23000-016000	CLAMP 16				4	4			
26	1	26106-080252	BOLT M 8X 25 PLATED				2	2			

(A)=4JH3E (D)=4JH3-TE
 (B)=4JH3CE (E)=4JH3-TCE
 (C)=4JH3CE1 (F)=

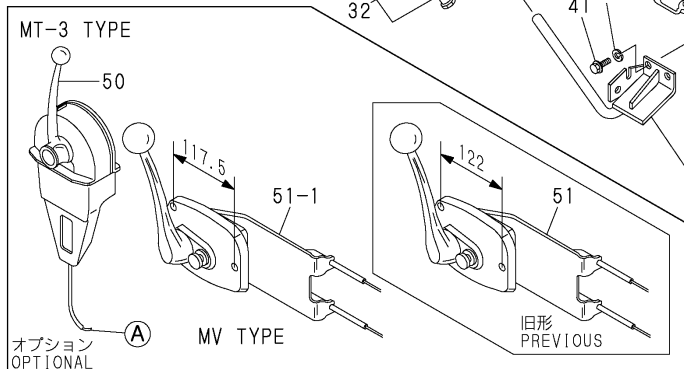
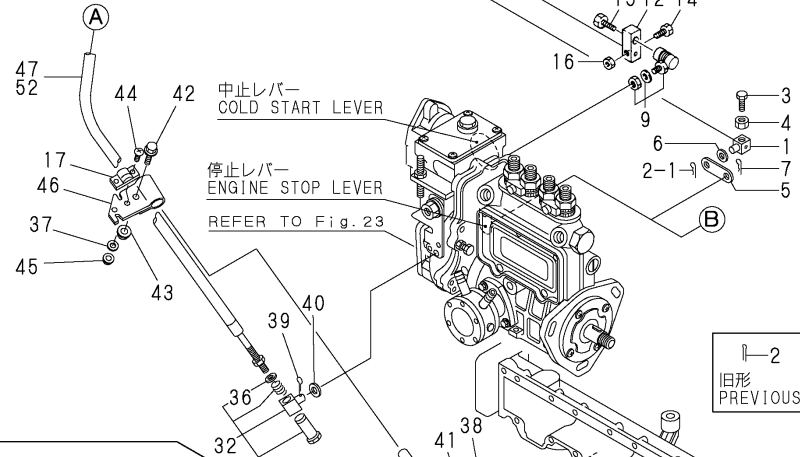
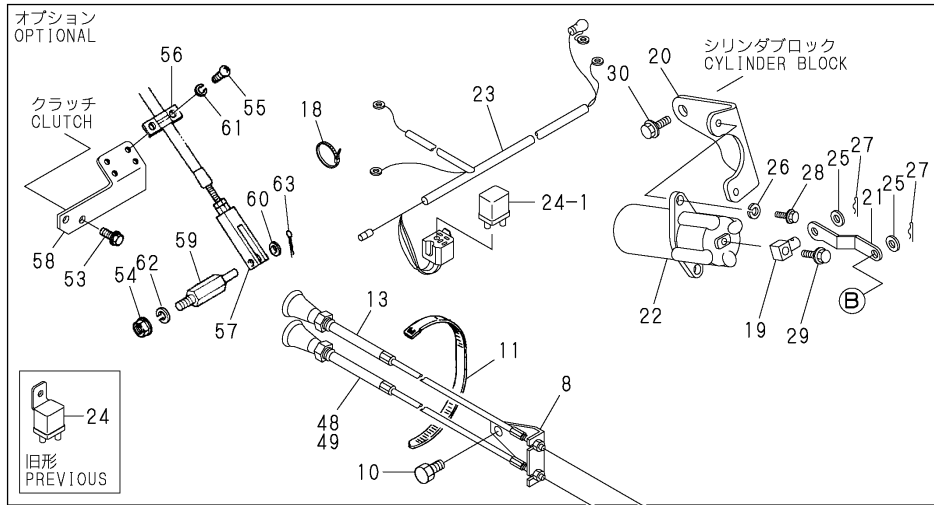
Fig.43.FUEL TANK



REF.	LEV.	PARTS NO.	DESCRIPTION	QTY						I	R
				(A)	(B)	(C)	(D)	(E)	(F)		
1	1	124070-59060	PIPE, FUEL OIL	1	1	1	1	1			
2	2	124070-59130	PIPE, FUEL OIL	1	1	1	1	1			
4	2	138603-59380	CAP NUT	1	1	1	1	1			
5	2	23010-014000	CLAMP 14	2	2	2	2	2			
7	1	83213-003012	TANK (30L), FUEL	1	1	1	1	1			
8	2	105430-55041	CAP, FUEL TANK	1	1	1	1	1			

(A)=4JH3E (D)=4JH3-TE
 (B)=4JH3CE (E)=4JH3-TCE
 (C)=4JH3CE1 (F)=

Fig.44.ENGINE STOP DEVIC(4JH3E)

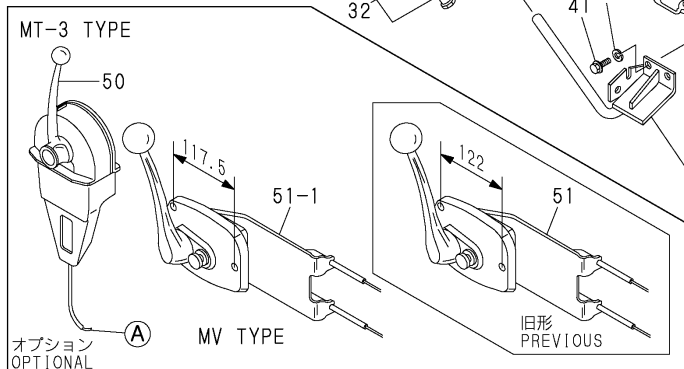
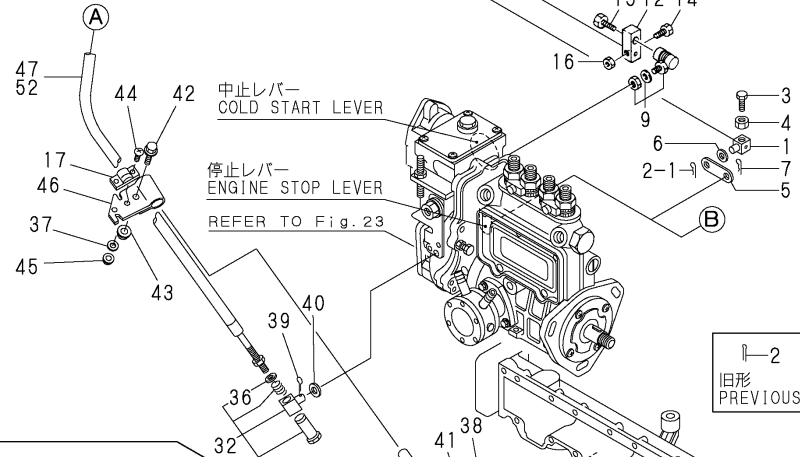
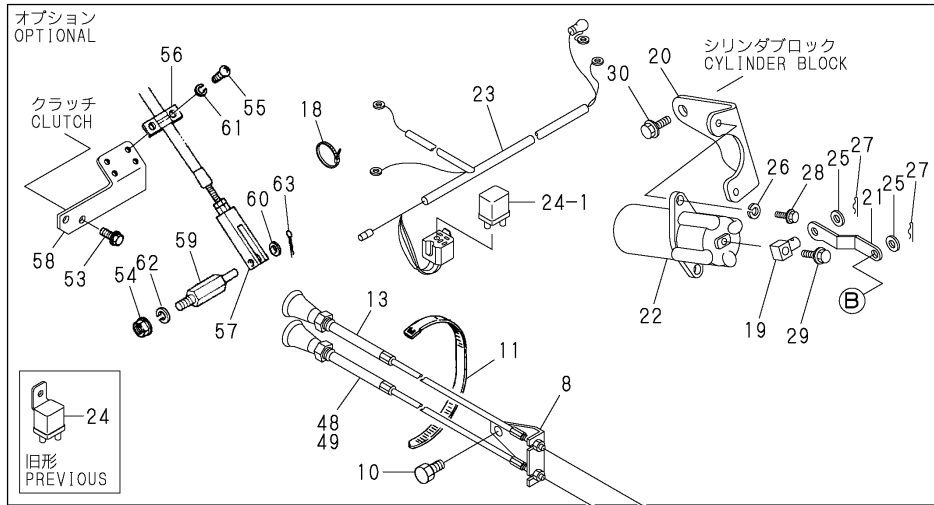


REF.	LEV.	PARTS NO.	DESCRIPTION	QTY						I	R
				(A)	(B)	(C)	(D)	(E)	(F)		
1	1	129590-67310	CLAMP	1	1	1					
2	1	22414-250150	PIN 2.5* 15	1	1						
I	2-1	22372-050000	SNAP PIN JASO 5	1	1	1					N
		(A=E/#20620) (B=E/#20620)									
3	1	26116-050142	BOLT M 5X 14 PLATED	1	1	1					
4	1	26756-050002	LOCK NUT M 5 PLATED	1	1	1					
I	5	119867-66910	LINK	1	1	1					W
		(A=E/#20620) (B=E/#20620)									
I	6	22137-060000	WASHER 6, POLISHED	1	1	1					W
		(A=E/#20620) (B=E/#20620)									
I	7	22360-080000	SNAP PIN 8	1	1	1					W
		(A=E/#20620) (B=E/#20620)									
I	8	129590-67140	BRACKET	1	1	1					W
		(A=E/#20620) (B=E/#20620)									
I	9	41710-001300	JOINT	1	1	1					W
		(A=E/#20258) (B=E/#20258)									
I	10	26106-080122	BOLT M 8X 12 PLATED	1	1	1					W
		(A=E/#20620) (B=E/#20620)									
I	11	121750-59890	CLAMP 140	1	1	1					W
		(A=E/#20258) (B=E/#20258)									
I	12	129595-67310	CLAMP	1	1	1					W
		(A=E/#20258) (B=E/#20258)									
I	13	129590-67420	CABLE L=500	1	1	1					W
		(A=E/#20258) (B=E/#20258)									
I	14	26116-050142	BOLT M 5X 14 PLATED	1	1	1					W
		(A=E/#20258) (B=E/#20258)									
I	15	26116-050202	BOLT M5X20	1	1	1					W
		(A=E/#20258) (B=E/#20258)									
I	16	26756-050002	LOCK NUT M 5 PLATED	1	1	1					W
		(A=E/#20258) (B=E/#20258)									
17	1	41710-000410	CLAMP	1	1	1					
18	1	121750-59890	CLAMP 140	1	1	1					
19	1	171078-66551	PIN	1	1	1					
20	1	129470-67300	BRACKET	1	1						
I	20-1	129573-67300	BRACKET, SOLENOID	1	1	1					N
		(A=E/#20258) (B=E/#20258)									
21	1	129470-67310	LINK	1	1	1					
22	1	129470-67320	ENGINE STOP SOLENOID	1	1	1					
23	1	129470-77971	HARNES L4000	1	1	1					
24	1	124617-91850	RELAY	1	1	1					
I	24-1	119773-91850	RELAY	1	1	1					R
		(A=E/#22643) (B=E/#22643) (C=E/#22643)									
25	1	22117-080000	WASHER 8	2	2	2					
26	1	22217-060000	SPRING WASHER 6	2	2	2					
27	1	22360-080000	SNAP PIN 8	2	2	2					
28	1	26106-060102	BOLT M 6X 10 PLATED	2	2	2					
29	1	26106-060202	BOLT M 6X 20 PLATED	1	1	1					
30	1	26106-080122	BOLT M 8X 12 PLATED	2	2	2					
31	1	129590-67101	BRACKET	1	1	1					
32	1	129470-67200	RETAINER, JOINT	1	1	1					
36	2	22242-000100	CIRCLIP 10	1	1	1					
37	1	22217-050000	SPRING WASHER 5	2	2	2					
38	1	22217-080000	SPRING WASHER 8	2	2	2					
39	1	22414-250150	COTTER PIN 2.5X15	1	1	1					

++ CONTINUE ++

(A)=4JH3E (D)=4JH3-TE
 (B)=4JH3CE (E)=4JH3-TCE
 (C)=4JH3CE1 (F)=

Fig.44.ENGINE STOP DEVIC(4JH3E)

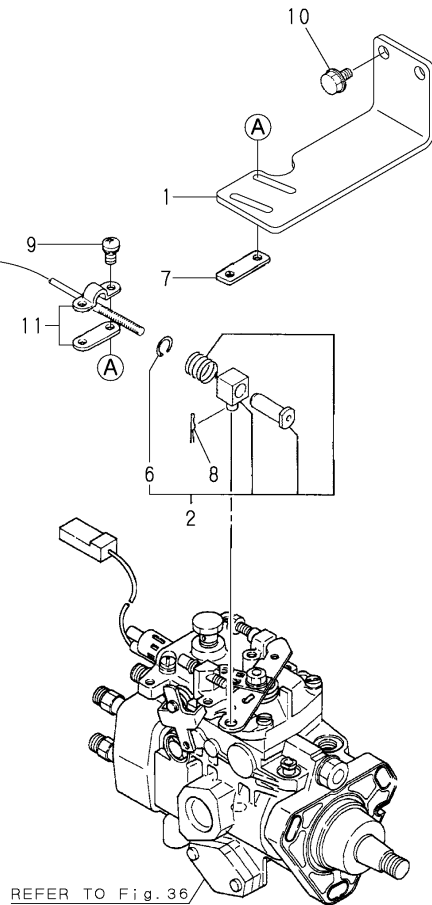
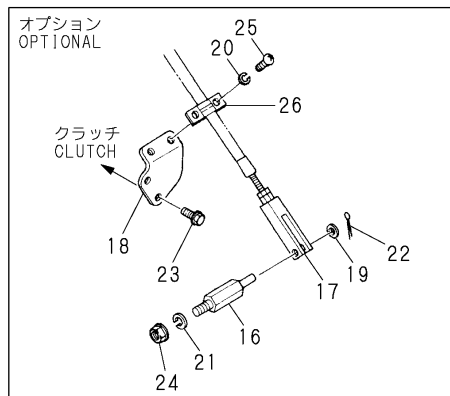
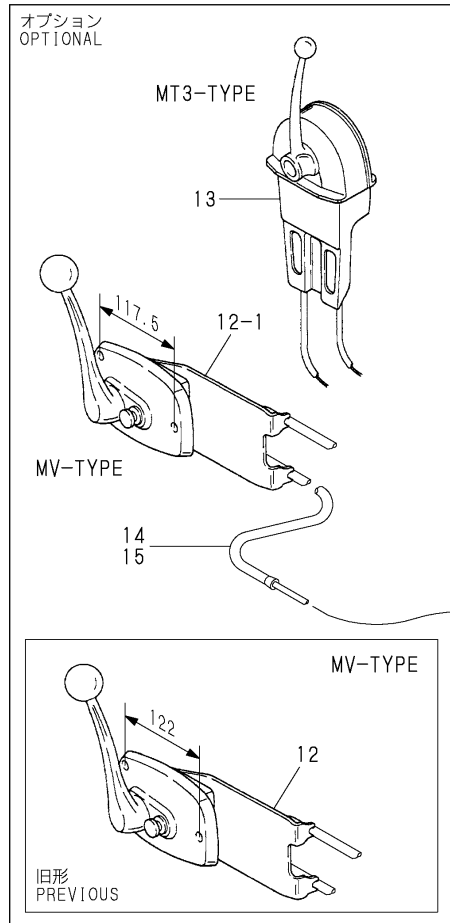


REF.	LEV.	PARTS NO.	DESCRIPTION	QTY						I	R	
				(A)	(B)	(C)	(D)	(E)	(F)			
40	1	23414-080000	GASKET 8, ROUND	1	1	1						
41	1	26106-080122	BOLT M 8X 12 PLATED	2	2	2						
42	1	26106-080252	BOLT M 8X 25 PLATED	1	1	1						
43	1	26366-080002	NUT M 8	1	1	1						
44	1	26557-050122	SCREW M 5X 12	2	2	2						
45	1	26716-050002	NUT M 5	2	2	2						
46	1	129590-67110	BRACKET,CABLE	1	1	1						
47	1	129470-86500	CABLE,REMO-CON.(7M)	2	2	2						
48	1	129470-67550	CABLE (L=4000), STOP	1	1	1						
49	1	129470-67560	CABLE L=7000	1	1	1						
50	1	41730-000681	MT-3 REMO-CON	1	1	1						
51	1	128170-86500	MOUNT	1	1	1						
I 51-1	1	128170-86501	REMOCON HEAD (MN	1	1	1					S	
		(A=E/#25748) (B=E/#25748) (C=E/#25748)										
52	1	41710-000380	CABLE L=4000	2	2	2						
I 53	1	26106-060162	BOLT M 6X 16 PLATED	2	2	2					Z	
		(A=E/#25682) (B=E/#25682) (C=E/#25682)										
I 54	1	26306-080002	NUT	1	1	1					Z	
		(A=E/#25682) (B=E/#25682) (C=E/#25682)										
I 55	1	26557-050082	SCREW M 5X 8	2	2	2					Z	
		(A=E/#25682) (B=E/#25682) (C=E/#25682)										
I 56	1	41710-000410	CLAMP	1	1	1					Z	
		(A=E/#25682) (B=E/#25682) (C=E/#25682)										
I 57	1	129670-86250	JOINT	1	1	1					Z	
		(A=E/#25682) (B=E/#25682) (C=E/#25682)										
I 58	1	129670-86310	BRACKET,CABLE	1	1	1					Z	
		(A=E/#25682) (B=E/#25682) (C=E/#25682)										
I 59	1	128370-86280	CLEVIS 12SQ-48L	1	1	1					Z	
		(A=E/#25682) (B=E/#25682) (C=E/#25682)										
I 60	1	22113-060000	WASHER 6	1	1	1					Z	
		(A=E/#25682) (B=E/#25682) (C=E/#25682)										
I 61	1	22217-050000	SPRING WASHER 5	2	2	2					Z	
		(A=E/#25682) (B=E/#25682) (C=E/#25682)										
I 62	1	22217-080000	SPRING WASHER 8	1	1	1					Z	
		(A=E/#25682) (B=E/#25682) (C=E/#25682)										
I 63	1	22414-160100	COTTER PIN 1.6X10	1	1	1					Z	
		(A=E/#25682) (B=E/#25682) (C=E/#25682)										

(A)=4JH3E (D)=4JH3-TE
 (B)=4JH3CE (E)=4JH3-TCE
 (C)=4JH3CE1 (F)=

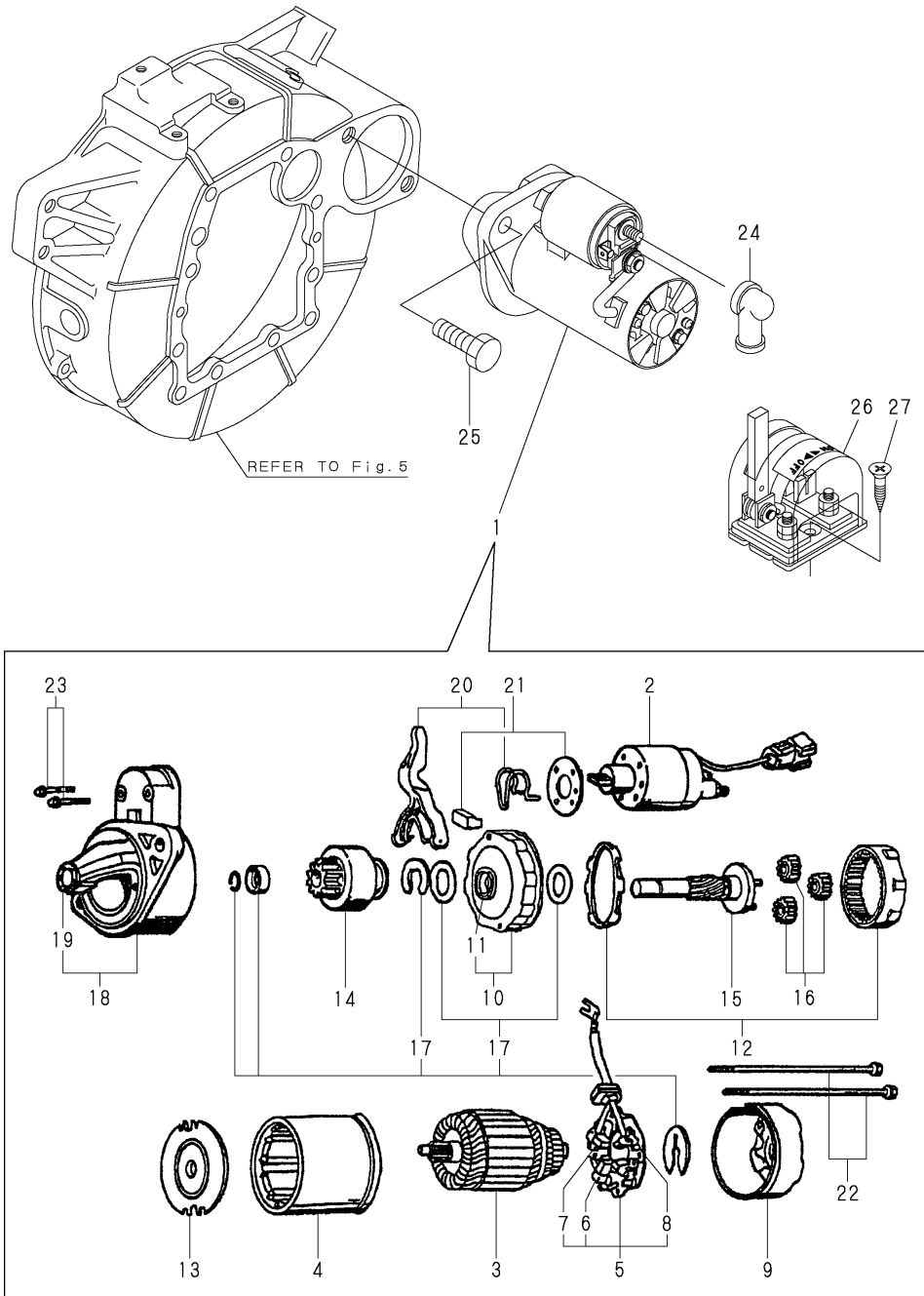
Fig.45.ENGINE STOP DEVIC(4JH3-TE)

REF.	LEV.	PARTS NO.	DESCRIPTION	QTY						I	R		
				(A)	(B)	(C)	(D)	(E)	(F)				
1	1	129693-67101	BRACKET										
I 1-1	1	129693-67102	BRACKET					1	1			N	
				(D=E/#10223)									
2	1	105311-67200	RETAINER, JOINT					1	1				
6	2	22242-000100	CIRCLIP 10					1	1				
7	1	121574-86320	RETAINER					1	1				
8	1	22414-250150	COTTER PIN 2.5X15					1	1				
9	1	26022-050162	SCREW M 5X 16					2	2				
10	1	26106-080122	BOLT M 8X 12 PLATED					2	2				
11	1	41710-000410	CLAMP					1	1				
12	1	128170-86500	MOUNT					1	1				
I 12-1	1	128170-86501	REMOCON HEAD (MN)					1	1			S	
				(D=E/#12899)		(E=E/#12899)							
13	1	41730-000681	MT-3 REMO-CON					1	1				
14	1	41710-000380	CABLE L=4000					2	2				
15	1	129470-86500	CABLE,REMO-CON.(7M)					2	2				
16	1	129470-86250	JOINT					1	1				
17	1	128370-86280	CLEVIS 12SQ-48L					1	1				
18	1	129470-86310	BRACKET					1	1				
19	1	22113-060000	WASHER 6					1	1				
20	1	22217-050000	SPRING WASHER 5					2	2				
21	1	22217-080000	SPRING WASHER 8					1	1				
22	1	22414-160100	COTTER PIN 1.6X10					1	1				
23	1	26106-060162	BOLT M 6X 16 PLATED					2	2				
24	1	26306-080002	NUT					1	1				
25	1	26557-050082	SCREW M 5X 8					2	2				
26	1	41710-000410	CLAMP					1	1				



(A)=4JH3E (D)=4JH3-TE
 (B)=4JH3CE (E)=4JH3-TCE
 (C)=4JH3CE1 (F)=

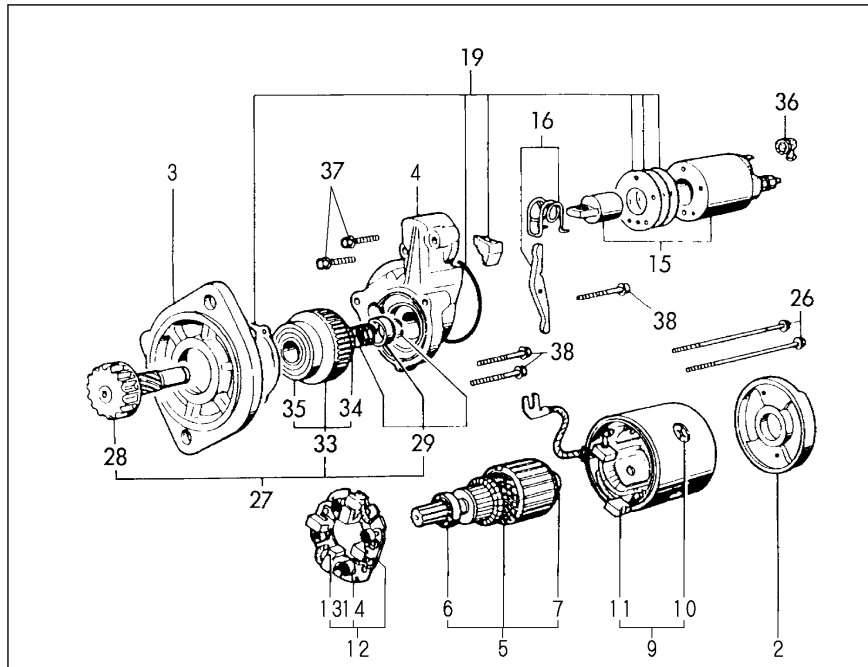
Fig.46.STARTING MOTOR(4JH3E)



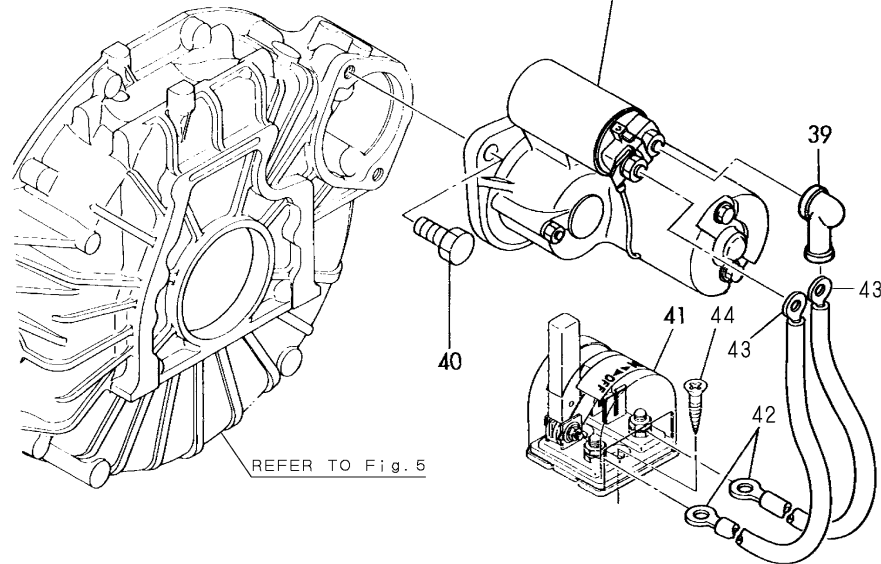
REF.	LEV.	PARTS NO.	DESCRIPTION	QTY						I	R
				(A)	(B)	(C)	(D)	(E)	(F)		
1	1	129698-77010	STARTER	1	1	1					
2	2	124298-77020	SWITCH, MAGNET	1	1						
I	2-1	2	129698-77020	MAGNETIC SWITCH ASSY	1	1	1				R
		(A=E/#21145)	(B=E/#21145)								
3	2	129698-77100	ARMATURE ASSY	1	1	1					
I	3-1	2	129698-77101	ARMATURE ASSY	1	1	1				R
		(A=E/#24255)	(B=E/#24255)	(C=E/#24255)							
4	2	129698-77110	COIL ASSY, FIELD	1	1	1					
5	2	129698-77120	HOLDER ASSY,BRUSH	1	1	1					
6	3	129698-77130	BRUSH (-)	2	2	2					
7	3	129698-77140	BRUSH(+) SET	1	1	1					
8	3	129698-77150	SPRING, BRUSH	4	4	4					
9	2	129698-77160	REAR COVER ASSY	1	1	1					
I	9-1	2	129698-77161	COVER ASSY, REAR	1	1	1				R
		(A=E/#23959)	(B=E/#23959)	(C=E/#23959)							
10	2	129698-77180	BRACKET	1	1	1					
11	3	129698-77190	BRACKET	1	1	1					
12	2	129698-77200	INTERNAL GEAR	1	1	1					
13	2	129698-77210	BRACKET	1	1	1					
14	2	129698-77220	PINION ASSY	1	1	1					
15	2	129698-77230	SHAFT(PINION)	1	1	1					
16	2	129698-77240	GEAR	3	3	3					
17	2	129698-77250	WASHER SET	1	1	1					
18	2	129698-77260	HOUSING ASSY, GEARS	1	1	1					
19	3	X2114535200	METAL, STARTER	1	1	1					
20	2	129698-77270	LEVER, SHIFT	1	1	1					
21	2	129698-77280	COVER ASSY, DUST	1	1	1					
22	2	124195-77770	BOLT, THROUGH	2	2	2					
23	2	114371-79070	BOLT M 6X 37	2	2	2					
24	1	124550-77030	COVER, TERMINAL	1	1	1					
25	1	26116-120302	BOLT M12X 30 PLATED	2	2	2					
26	1	123310-77640	SWITCH, BATTERY	1	1	1					
27	1	22724-800380	SCREW 8X 38	2	2	2					

(A)=4JH3E (D)=4JH3-TE
 (B)=4JH3CE (E)=4JH3-TCE
 (C)=4JH3CE1 (F)=

Fig.47.STARTING MOTOR(4JH3-TE)

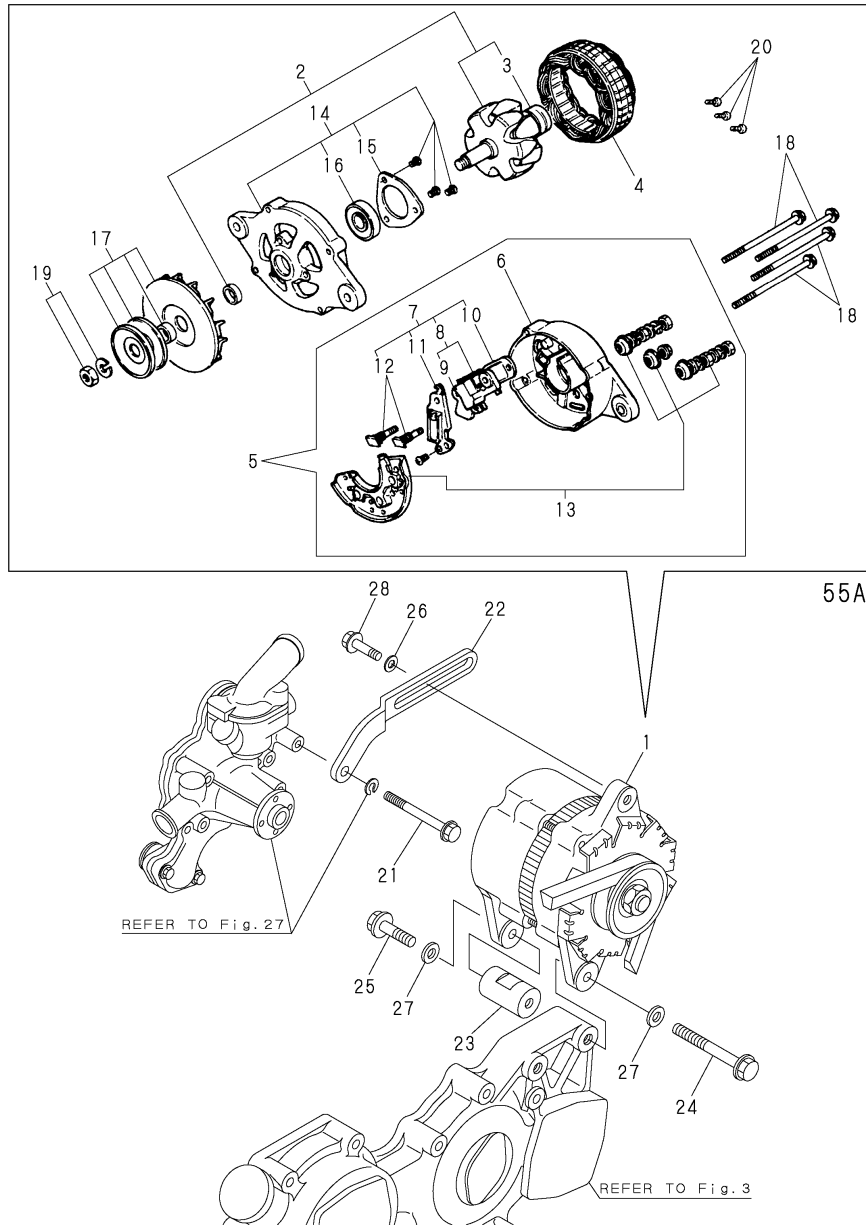


REF.	LEV.	PARTS NO.	DESCRIPTION	QTY						I	R	
				(A)	(B)	(C)	(D)	(E)	(F)			
1	1	171008-77010	STARTER				1	1				
2	2	171008-77500	COVER, REAR				1	1				
3	2	171008-77510	HOUSING ASSY, GEAR				1	1				
4	2	171008-77520	HOUSING, CENTER				1	1				
5	2	171008-77400	ARMATURE ASSY				1	1				
6	3	X2114255110	BALL BEARING				1	1				
7	3	X2130350900	BALL BEARING				1	1				
9	2	171008-77440	COIL ASSY, FIELD				1	1				
10	3	171008-77450	SCREW, POLE CORE SET				4	4				
11	3	171008-77460	BRUSH (+)				2	2				
12	2	171008-77470	HOLDER ASSY, BRUSH				1	1				
13	3	171008-77480	BRUSH (-)				2	2				
14	3	171008-77490	SPRING, BRUSH				4	4				
15	2	171008-77531	MAGNETIC SWITCH ASSY				1	1				
16	2	171008-77540	LEVER SET, SHIFT				1	1				
19	2	171008-77571	DUST COVER,(NON-ASB.)				1	1				
26	2	171008-77640	BOLT, THROUGH				2	2				
27	2	171008-77650	PINION ASSY				1	1				
28	3	171008-77660	SHAFT, PINION				1	1				
29	3	171008-77670	STOPPER SET, PINION				1	1				
33	3	X2114555500	CLUTCH ASSY				1	1				
34	4	X2114955020	BALL BEARING				1	1				
35	4	X2240410100	BALL BEARING				1	1				
36	2	171008-77750	COVER, M TERMINAL				1	1				
37	2	26106-060322	BOLT M 6X 32 PLATED				2	2				
38	2	26106-060402	BOLT M 6X 40 PLATED				3	3				
39	1	124550-77030	COVER, TERMINAL				1	1				
40	1	26116-120302	BOLT M12X 30 PLATED				2	2				
41	1	123310-77640	SWITCH, BATTERY				1	1				
42	1	123325-77920	TERMINAL				2	2				
43	1	123325-77930	TERMINAL				2	2				
44	1	22724-800380	SCREW 8X 38				2	2				



REFER TO Fig. 5

Fig.48.GENERATOR(4JH3E:PREVIOUS)



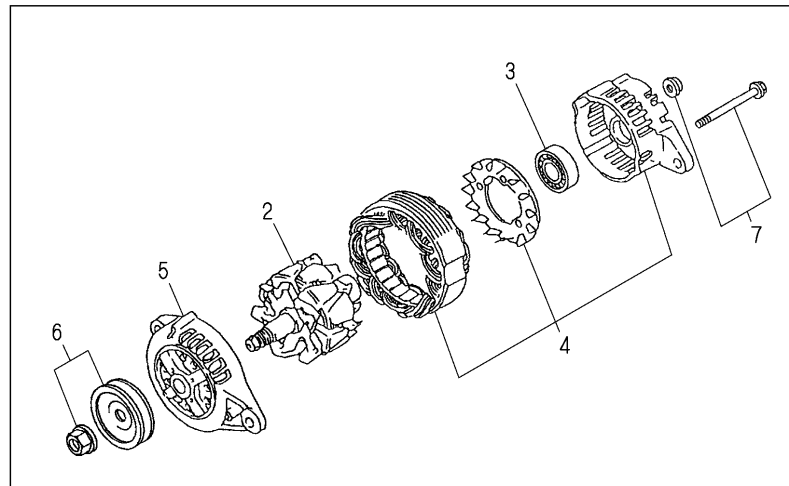
(A)=4JH3E (D)=4JH3-TE
 (B)=4JH3CE (E)=4JH3-TCE
 (C)=4JH3CE1 (F)=

REF.	LEV.	PARTS NO.	DESCRIPTION	QTY						I	R
				(A)	(B)	(C)	(D)	(E)	(F)		
1	1	129670-77200	ALTERNATOR	1	1						
I	1-1	129772-77200 (A=E/#20296) (B=E/#20296)	GENERATOR(12V-55A)	1	1						R
I	1-2	129772-77200 (A=E/#25682) (B=E/#25682) (C=E/#25682)	GENERATOR(12V-55A)	1	1	1					Z 1
2	2	XL15571001	ROTOR ASSY	1	1	1					
3	3	124080-77490	BALL BEARING	1	1	1					
4	2	XL15542001	STATOR ASSY	1	1	1					
5	2	XL155G6300	COVER ASSY, REAR	1	1	1					
6	3	XL22553012	COVER, REAR	1	1	1					
7	3	XL155G1315	REGULATOR ASSY,BRUSH	1	1	1					
8	4	XL2255330	BRUSH ASSY	1	1	1					2
9	4	XL12013262	BRUSH	2	2	2					
10	4	XTR1Z63	REGULATOR	1	1	1					
11	4	XL2554318	CONDENSER ASSY	1	1	1					
12	4	XL13513134	BOLT M5	2	2	2					
13	3	XL2253320	DIODE ASSY	1	1	1					
14	2	XL2253400	FRONT COVER ASSY	1	1	1					
15	3	XL15014042	BEARING RETAINER	1	1	1					
16	3	X6203BM	BALL BEARING	1	1	1					
17	2	XL225G6500	PULLEY ASSY	1	1	1					
18	2	XL15018015	BOLT, THROUGH	4	4	4					
19	2	XL1501810	NUT ASSY, PULLEY	1	1	1					
20	2	XL15028001	SCREW ASSY	1	1	1					
21	1	26106-080652	BOLT M 8X 65 PLATED	1	1	1					
22	1	129470-77330	ADJUSTER, BELT	1	1						
I	22-1	129670-77430 (A=E/#21955) (B=E/#21955)	ADJUSTER, BELT	1	1	1					R
23	1	129670-77340	SPACER,GENERATOR	1	1	1					
24	1	129695-77370	BOLT 10X 75	1	1	1					
25	1	129695-77380	BOLT 10X 30	1	1	1					
26	1	22137-080000	WASHER 8, POLISHED	1	1	1					
27	1	22137-100000	WASHER 10,POLISHED	2	2	2					
28	1	26106-080252	BOLT M 8X 25 PLATED	1	1	1					

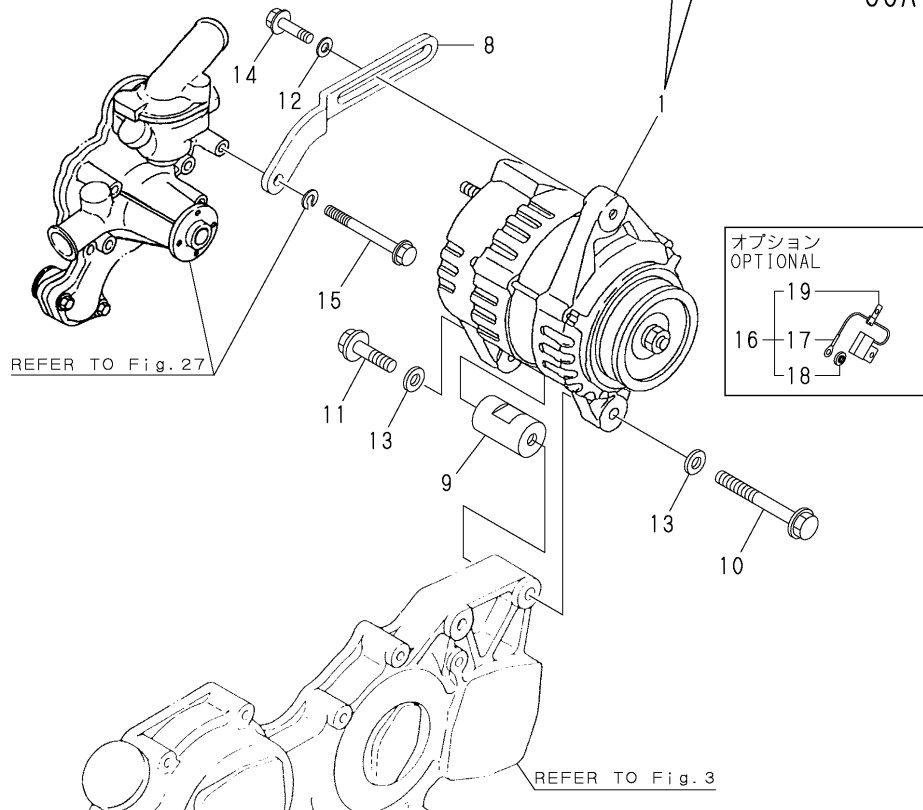
Remarks
 (1)INTERCHANGEABILITY IS <N> WITH
 FIG.49 REF.NO.1.

Fig.49.GENERATOR(4JH3E:NEW)

(A)=4JH3E (D)=4JH3-TE
 (B)=4JH3CE (E)=4JH3-TCE
 (C)=4JH3CE1 (F)=



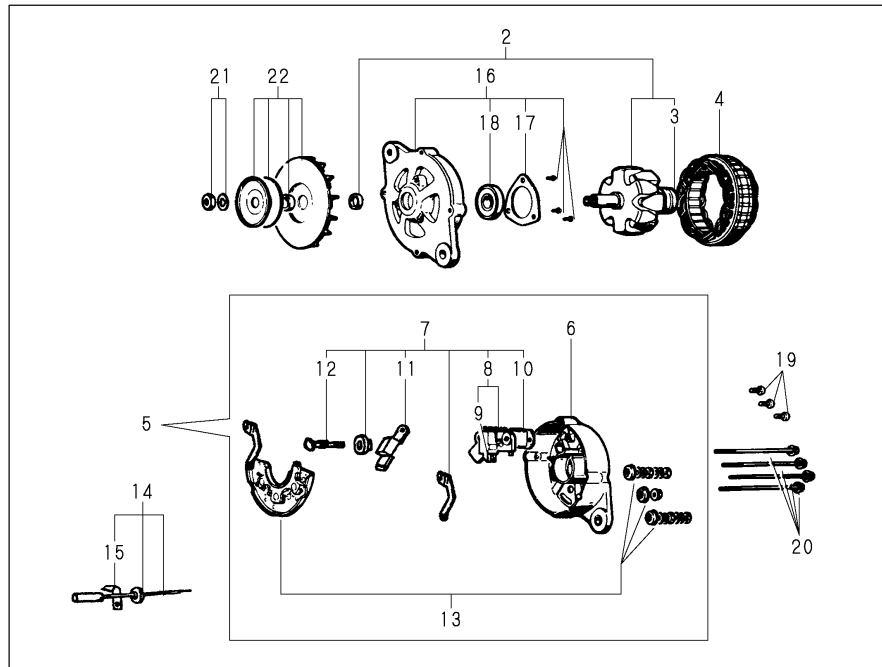
60A



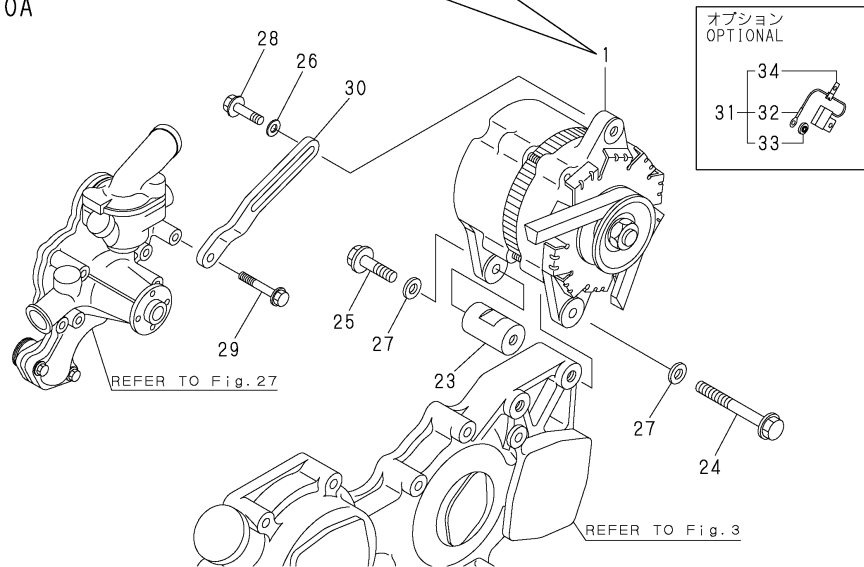
REF.	LEV.	PARTS NO.	DESCRIPTION	QTY						I	R
				(A)	(B)	(C)	(D)	(E)	(F)		
I	1	128271-77200 (A=E/#25682)	GENERATOR 12V-60A (B=E/#25682) (C=E/#25682)	1	1	1					W
	2	123900-77700	ROTOR ASSY	1	1	1					
	3	129612-77710	BALL BEARING	1	1	1					
	4	128271-77720	REAR BRACKET ASSY	1	1	1					
	5	123900-77730	FRONT BRACKET ASSY	1	1	1					
	6	128271-77740	PULLEY	1	1	1					
	7	128271-77750	SCREW KIT	1	1	1					
	8	129495-77330	ADJUSTER, BELT	1	1						
I	8-1	129670-77430 (A=E/#21955)	ADJUSTER, BELT (B=E/#21955)	1	1	1					R
	9	129670-77340	SPACER, GENERATOR	1	1	1					
	10	129695-77370	BOLT 10X 75	1	1	1					
	11	129695-77380	BOLT 10X 30	1	1	1					
	12	22137-080000	WASHER 8, POLISHED	1	1	1					
	13	22137-100000	WASHER 10, POLISHED	2	2	2					
	14	26106-080252	BOLT M 8X 25 PLATED	1	1	1					
	15	26106-080652	BOLT M 8X 65 PLATED	1	1	1					
	16	129772-77250	CONDENSER CMP	1	1	1					
	17	129772-77260	CONDENSER	1	1	1					
	18	129772-77270	ISOLATER	2	2	2					
	19	129772-77280	CLAMP	1	1	1					

Fig.50.GENERATOR(4JH3E:OPTIONAL)

(A)=4JH3E (D)=4JH3-TE
 (B)=4JH3CE (E)=4JH3-TCE
 (C)=4JH3CE1 (F)=



80A

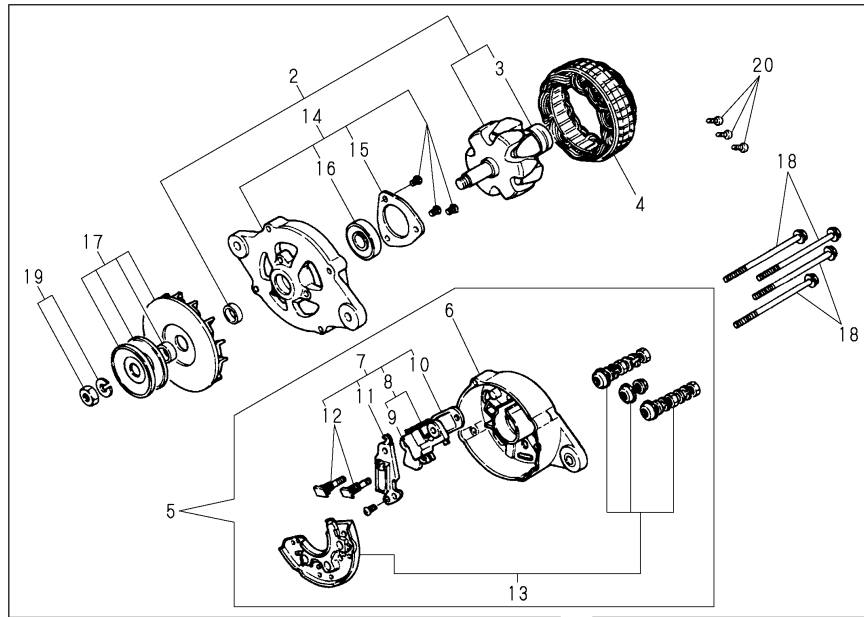


REF.	LEV.	PARTS NO.	DESCRIPTION	QTY						I	R
				(A)	(B)	(C)	(D)	(E)	(F)		
1	1	119573-77201	ALTERNATER(12V-80A	1	1	1					
2	2	XL180G61000	ROTOR ASSY	1	1	1					
3	3	119129-77320	BALL BEARING	1	1	1					
4	2	XL180120000	STARTER ASSY	1	1	1					
5	2	XL180G63006	COVER ASSY, REAR	1	1	1					
6	3	XL180G13012	COVER, REAR	1	1	1					
7	3	XL180G43150	BRUSH ASSY,REGULATOR	1	1	1					
8	4	XL155G1330	BRUSH ASSY	1	1	1					1
9	4	XL225G1325	BRUSH SET	2	2	2					
10	4	124080-77390	REGULATOR ASSY	1	1	1					
11	4	XL225431800	CONDENSER	1	1	1					
12	4	124080-77520	BOLT M5	2	2	2					
13	3	XL1808320	DIODE ASY	1	1	1					
14	3	119129-77250	WIRE	1	1	1					
15	4	119129-77260	CLAMP,LEAD WIRE	1	1	1					
16	2	XL235340110	COVER ASSY, FRONT	1	1	1					
17	3	XL150M14041	RETAINER	1	1	1					
18	3	X6303BM0000	BALL BEARING	1	1	1					
19	3	119129-77930	SCREW KIT	1	1	1					
20	2	119129-77890	BOLT, THROUGH	4	4	4					
21	2	119129-77900	NUT ASSY, PULLEY	1	1	1					
22	2	XL180G85001	PULLEY ASSY	1	1	1					
23	1	129670-77340	SPACER,GENERATOR	1	1	1					
24	1	129695-77370	BOLT 10X 75	1	1	1					
25	1	129695-77380	BOLT 10X 30	1	1	1					
26	1	22137-080000	WASHER 8, POLISHED	1	1	1					
27	1	22137-100000	WASHER 10,POLISHED	2	2	2					
28	1	26106-080252	BOLT M 8X 25 PLATED	1	1	1					
29	1	26106-080652	BOLT M 8X 65 PLATED	1	1	1					
30	1	129470-77330	ADJUSTER, BELT	1	1						
I 30-1	1	129670-77430	ADJUSTER, BELT	1	1	1					R
		(A=E/#21955) (B=E/#21955)									
31	1	119573-77250	CONDENSER ASSY	1	1	1					
32	2	119573-77260	CONDENSER	1	1	1					
33	2	119573-77270	BUSH	2	2	2					
34	2	129772-77280	CLAMP	1	1	1					

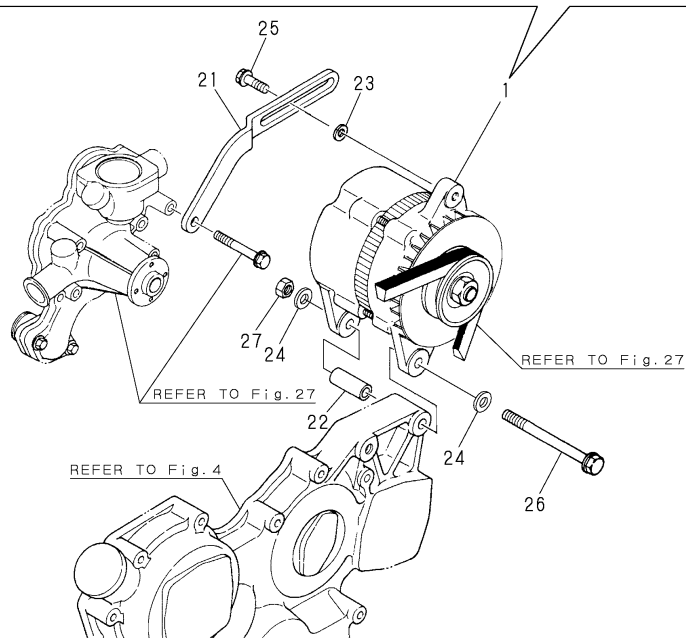
Remarks
 (1)INC. 9

Fig.51.GENERATOR(4JH3-TE)

(A)=4JH3E (D)=4JH3-TE
 (B)=4JH3CE (E)=4JH3-TCE
 (C)=4JH3CE1 (F)=



55A

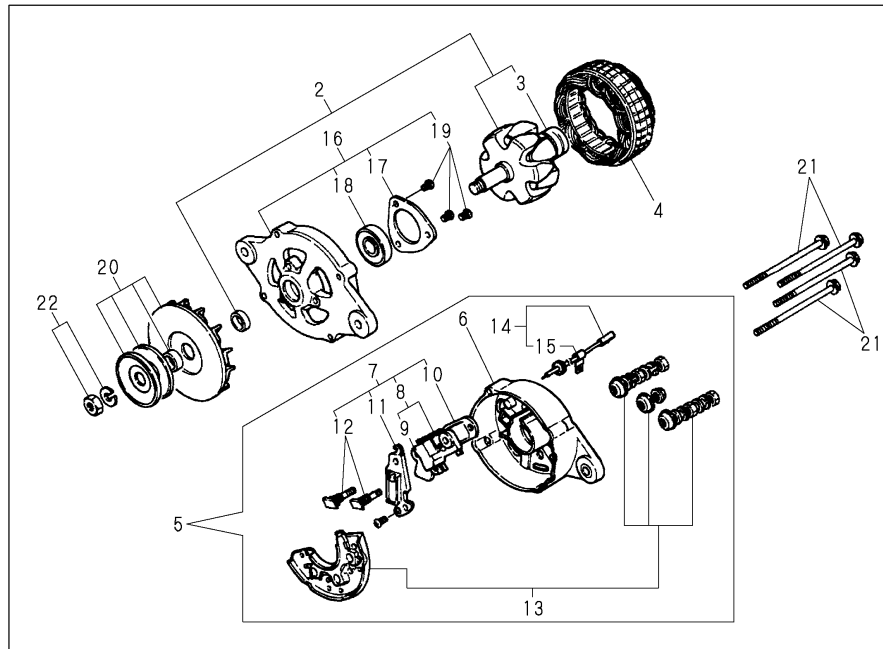


REF.	LEV.	PARTS NO.	DESCRIPTION	QTY						I	R	
				(A)	(B)	(C)	(D)	(E)	(F)			
1	1	129772-77200	GENERATOR(12V-55A)				1	1				
2	2	XL15571001	ROTOR ASSY				1	1				
3	3	129772-77200	GENERATOR(12V-55A)				1	1				
4	2	XL15542001	STATOR ASSY				1	1				
5	2	XL155G6300	COVER ASSY, REAR				1	1				
6	3	XL22553012	COVER, REAR				1	1				
7	3	XL155G1315	REGULATOR ASSY,BRUSH				1	1				
8	4	XL2255330	BRUSH ASSY				1	1				1
9	4	XL12013262	BRUSH				2	2				
10	4	XTR1Z63	REGULATOR				1	1				
11	4	XL2554318	CONDENCER ASSY				1	1				
12	4	XL13513134	BOLT M5				2	2				
13	3	XL2253320	DIODE ASSY				1	1				
14	2	XL2253400	FRONT COVER ASSY				1	1				
15	3	XL15014042	BEARING RETAINER				1	1				
16	3	X6203BM	BALL BEARING				1	1				
17	2	XL225G6500	PULLEY ASSY				1	1				
18	2	XL15018015	BOLT, THROUGH				4	4				
19	2	XL1501810	NUT ASSY, PULLEY				1	1				
20	2	XL15028001	SCREW ASSY				1	1				
21	1	129470-77330	ADJUSTER, BELT				1	1				
22	1	129470-77340	SPACER				1	1				
23	1	22137-080000	WASHER 8, POLISHED				1	1				
24	1	22137-100000	WASHER 10,POLISHED				2	2				
25	1	26106-080252	BOLT M 8X 25 PLATED				1	1				
26	1	26116-101202	BOLT M10X120 PLATED				1	1				
27	1	26716-100002	NUT 10				1	1				

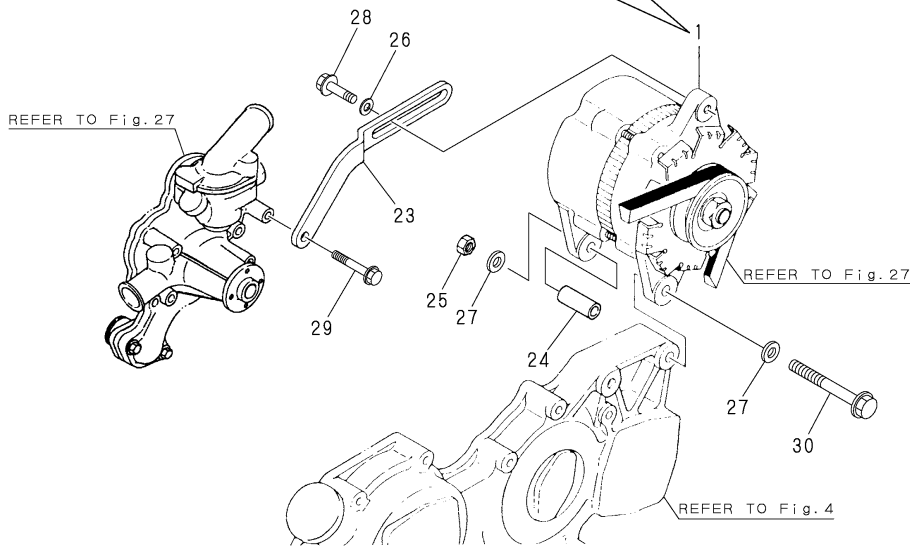
Remarks
 (1)INC. 9

(A)=4JH3E (D)=4JH3-TE
 (B)=4JH3CE (E)=4JH3-TCE
 (C)=4JH3CE1 (F)=

Fig.52.GENERATOR(4JH3-TE:PREVIOUS)



80A

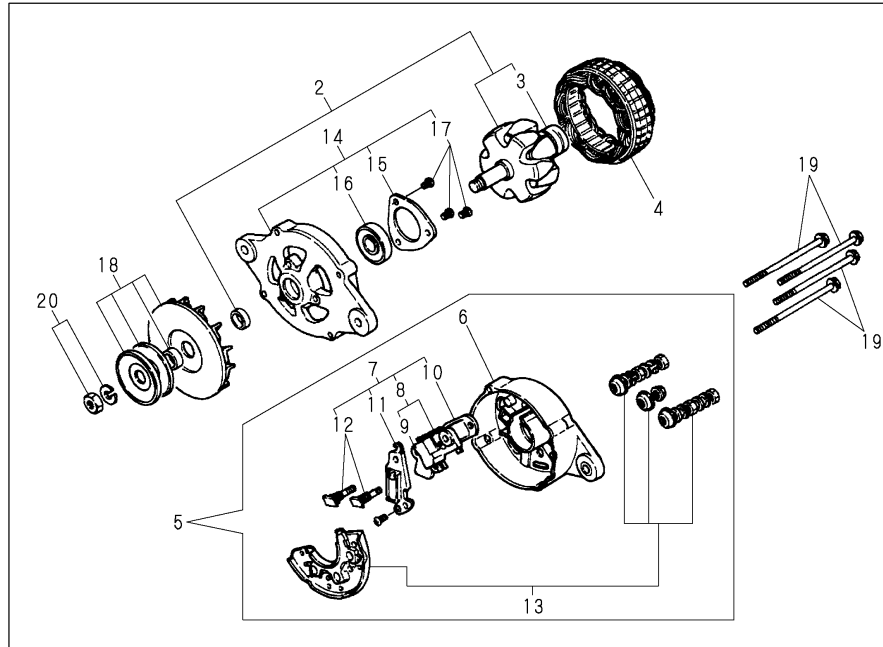


REF.	LEV.	PARTS NO.	DESCRIPTION	QTY						I	R
				(A)	(B)	(C)	(D)	(E)	(F)		
I	1	1	119573-77201 GENERATOR,12V-80A (D=E/#10399)				1				Z
	2	2	XL180G61000 ROTOR ASSY				1				
	3	3	119129-77320 BALL BEARING				1				
	4	2	XL180120000 STARTER ASSY				1				
	5	2	XL180G63006 COVER ASSY, REAR				1				
	6	3	XL180G13012 COVER, REAR				1				
	7	3	XL180G43150 BRUSH ASSY,REGULATOR				1				
	8	4	XL155G1330 BRUSH ASSY				1				1
	9	4	XL225G1325 BRUSH SET				2				
	10	4	124080-77390 REGULATOR ASSY				1				
	11	4	XL225431800 CONDENSER				1				
	12	4	124080-77520 BOLT M5				2				
	13	3	XL180832000 DIODE ASSY				1				
	14	3	119129-77250 WIRE				1				
	15	4	119129-77260 CLAMP,LEAD WIRE				1				
	16	2	XL235340110 COVER ASSY, FRONT				1				
	17	3	XL150M14041 RETAINER				1				
	18	3	X6303BM0000 BALL BEARING				1				
	19	3	119129-77930 SCREW KIT				1				
	20	2	XL180G85001 PULLEY ASSY				1				
	21	2	119129-77890 THROUGH BOLT				4				
	22	2	119129-77900 NUT ASSY, PULLEY				1				
	23	1	129470-77330 ADJUSTER, BELT				1				
	24	1	129470-77340 SPACER				1				
	25	1	26716-100002 NUT 10				1				
	26	1	22137-080000 WASHER 8, POLISHED				1				
	27	1	22137-100000 WASHER 10,POLISHED				2				
	28	1	26106-080252 BOLT M 8X 25 PLATED				1				
	29	1	26106-080652 BOLT M 8X 65 PLATED				1				
	30	1	26116-101202 BOLT M10X120 PLATED				1				

Remarks
 (1)INC. 9

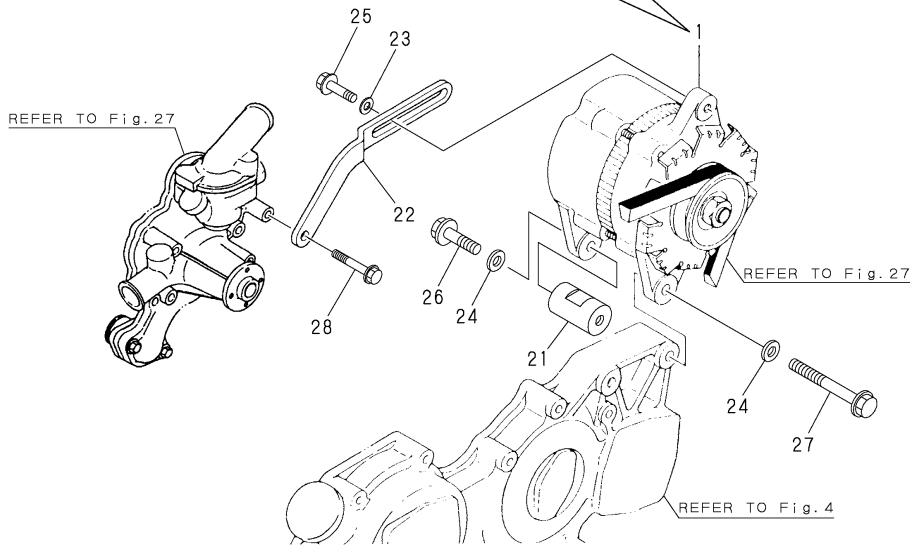
Fig.53.GENERATOR(4JH3-TE:NEW)

(A)=4JH3E (D)=4JH3-TE
 (B)=4JH3CE (E)=4JH3-TCE
 (C)=4JH3CE1 (F)=



80A

REF.	LEV.	PARTS NO.	DESCRIPTION	QTY						I	R
				(A)	(B)	(C)	(D)	(E)	(F)		
I	1	1	119573-77200 GENERATOR (12V-80A (D=E/#10399))				1	1			W
	2	2	XL1805100 ROTOR ASY				1	1			
	3	3	X6201NC BALL BEARING				1	1			
	4	2	XL1801200 STATOR ASY				1	1			
	5	2	XL1809300 COVER ASSY, REAR				1	1			
	6	3	XL1805301 COVER, REAR				1	1			
	7	3	XL1556315 REGULATOR ASSY,BRUSH				1	1			
	8	4	XL2255320 DIODE L225-5320				1	1			1
	9	4	XL1801335 BRUSH				2	2			
	10	4	XTR1Z63 REGULATOR				1	1			
	11	4	XL2251318 CONDENCER ASSY				1	1			
	12	4	119129-77940 BOLT(M5)				2	2			
	13	3	XL1808320 DIODE ASY				1	1			
	14	2	XL23534011 COVER ASSY, FRONT				1	1			
	15	3	XL150M14041 RETAINER				1	1			
	16	3	X6303BM BALL BEARING 6303B				1	1			
	17	3	XL15028001 SCREW ASSY				1	1			
	18	2	XL1805500 PULLEY ASSY				1	1			
	19	2	XL18018015 THROUGH BOLT				4	4			
	20	2	XL1501810 NUT ASSY, PULLEY				1	1			
	21	1	129670-77340 SPACER,GENERATOR				1	1			
	22	1	129670-77430 ADJUSTER, BELT				1	1			
	23	1	22137-080000 WASHER 8, POLISHED				1	1			
	24	1	22137-100000 WASHER 10,POLISHED				2	2			
	25	1	26106-080252 BOLT M 8X 25 PLATED				1	1			
	26	1	26106-100302 BOLT M10X 30 PLATED				1	1			
	27	1	26106-100752 BOLT M10X 75 PLATED				1	1			
	28	1	26106-080652 BOLT M 8X 65 PLATED				1	1			

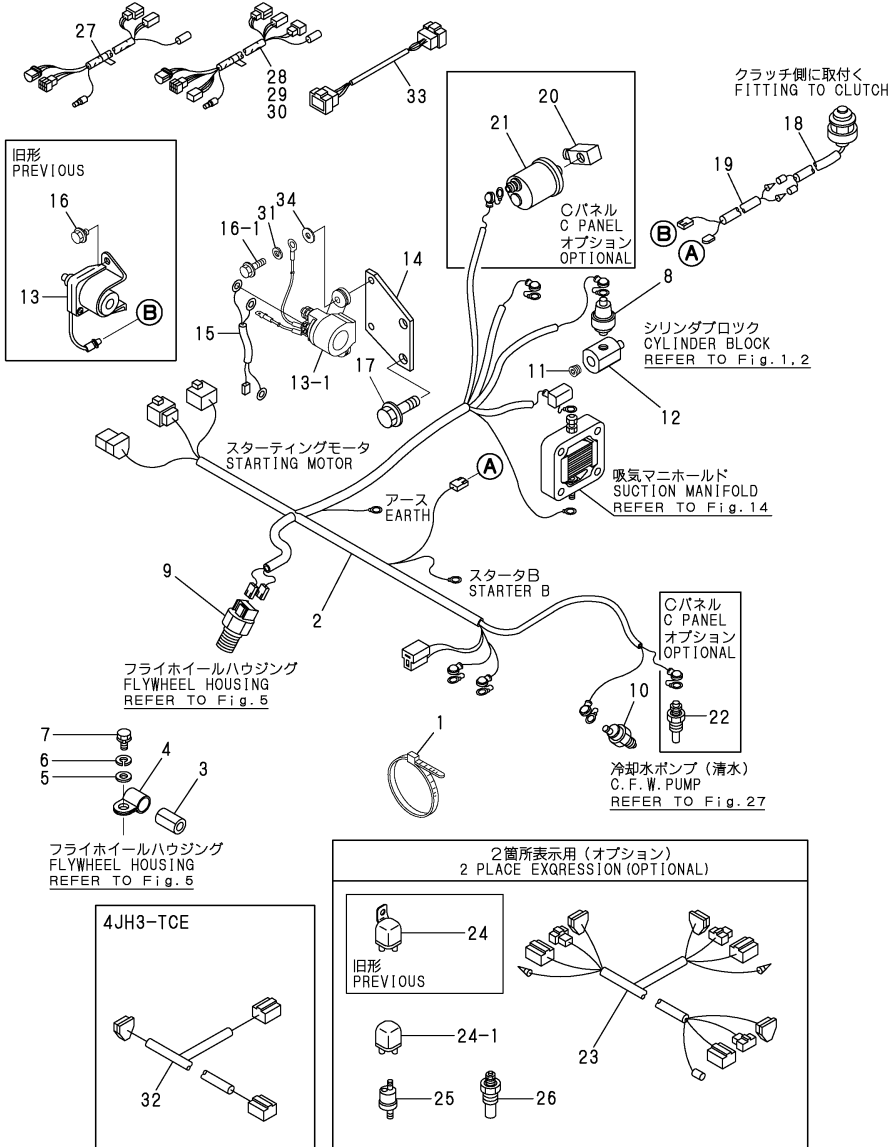


Remarks
 (1)INC. 9

Fig.54.WIRE HARNESS & SENSOR

(A)=4JH3E (D)=4JH3-TE
 (B)=4JH3CE (E)=4JH3-TCE
 (C)=4JH3CE1 (F)=

P/C NEWS No:Y00R4671-2
 PUBLISHED:2004/8



REF.	LEV.	PARTS NO.	DESCRIPTION	QTY						I	R
				(A)	(B)	(C)	(D)	(E)	(F)		
1	1	194250-51660	BAND 250	1	1	1	1	1			
2	1	129573-77932	HARNESS, WIRE	1	1	1					
2A	1	129574-77911	HARNESS, WIRE				1	1			
3	1	124770-77940	PROTECTOR	1	1	1	1	1			
4	1	124070-77950	CLAMP	1	1	1	1	1			
5	1	22137-080000	WASHER 8, POLISHED	1	1	1	1	1			
6	1	22217-080000	SPRING WASHER 8	1	1	1	1	1			
7	1	26106-080162	BOLT M 8X 16 PLATED	1	1	1	1	1			
8	1	124060-39451	SENDER, OIL PRESSURE	1	1	1	1	1			
8-1	1	124060-39452	SENDER,OIL PRESSURE	1	1	1	1	1			N
		(A=E/#24410) (B=E/#24410) (C=E/#24410) (D=E/#11839)									
9	1	128170-91160	SENSOR, TACHOMETER	1	1	1	1	1			
10	1	120130-91370	SWITCH, THERMO(100C	1	1	1	1	1			
11	1	23871-010000	PLUG PT1/8,SCREW	1	1						
11-1	1	129270-39620	PLUG	1	1	1					N
		(A=E/#20776) (B=E/#20776)									
11A	1	23876-010000	PLUG PT1/8,SCREW				1	1			
12	1	43580-500680	DAMPER PT1/8	1	1	1	1	1			
13	1	129490-77910	RELAY, STARTER	1	1	1	1	1			
I 13-1	1	119575-77510	RELAY, STARTER	1	1	1	1	1			F 1
		(A="2004.06) (B="2004.06) (C="2004.06) (D="2004.06) (E="2004.06)									
14	1	129573-77951	BRACKET	1	1	1	1	1			
15	1	129573-77960	HARNESS, WIRE	1	1	1					
15A	1	177074-06350	HARNESS, WIRE				1	1			
16	1	26106-060082	BOLT M 6X 8 PLATED	2	2	2	2	2			
I 16-1	1	26106-060202	BOLT M 6X 20 PLATED	2	2	2	2	2			F 1
		(A="2004.06) (B="2004.06) (C="2004.06) (D="2004.06) (E="2004.06)									
17	1	26106-100162	BOLT M10X 16 PLATED	2	2	2	2	2			
18	1	120270-77101	SWITCH	1	1	1	1	1			
19	1	129570-77960	HARNESS, WIRE	1	1	1	1	1			
20	1	123482-39670	DAMPER	1	1	1	1	1			
21	1	144626-91560	SENDER UNIT	1	1	1	1	1			
21-1	1	119773-91500	SENDER UNIT	1	1	1	1				N
		(A=E/#20387) (B=E/#20387) (D="1997.07)									
21-2	1	119773-91501	SENDER UNIT	1	1	1	1	1			N
		(A=E/#23803) (B=E/#23803) (C=E/#23803) (D=E/#11493)									
22	1	144626-91570	SENDER UNIT	1	1	1	1	1			
23	1	129574-77980	HARNESS.	1	1	1	1	1			
24	1	124617-91850	RELAY	1	1	1	1	1			
24-1	1	119773-91850	RELAY	1	1	1	1	1			R
		(A=E/#22643) (B=E/#22643) (C=E/#22643) (D=E/#10799)									
25	1	129574-91560	SENDER UNIT	1	1	1	1	1			
25-1	1	129574-91561	SENDER UNIT	1	1	1	1	1			R
		(A=E/#25003) (B=E/#25003) (C=E/#25003) (D=E/#12191) (E=E/#12191)									
26	1	129574-91570	SENDER UNIT	1	1	1	1	1			
27	1	128391-77720	HARNESS, WIRE(6M	1	1	1	1	1			
28	1	129574-77710	HARNESS, WIRE(4M)	1	1	1	1	1			
29	1	129574-77720	HARNESS, WIRE(6M)	1	1	1	1	1			
30	1	129574-77740	HARNESS,10M	1	1	1	1	1			
31	1	22217-060000	SPRING WASHER 6	2	2	2	2	2			
32	1	129671-77900	HARNESS(SAIL DRIVE								1
33	1	129670-77990	ADAPTER(CONNECTOR	1	1	1	1	1			W
		(A=E/#25638) (B=E/#25638) (C=E/#25638) (D=E/#12811) (E=E/#12811)									
I 34	1	183350-55130	WASHER	2	2	2	2	2			W 1

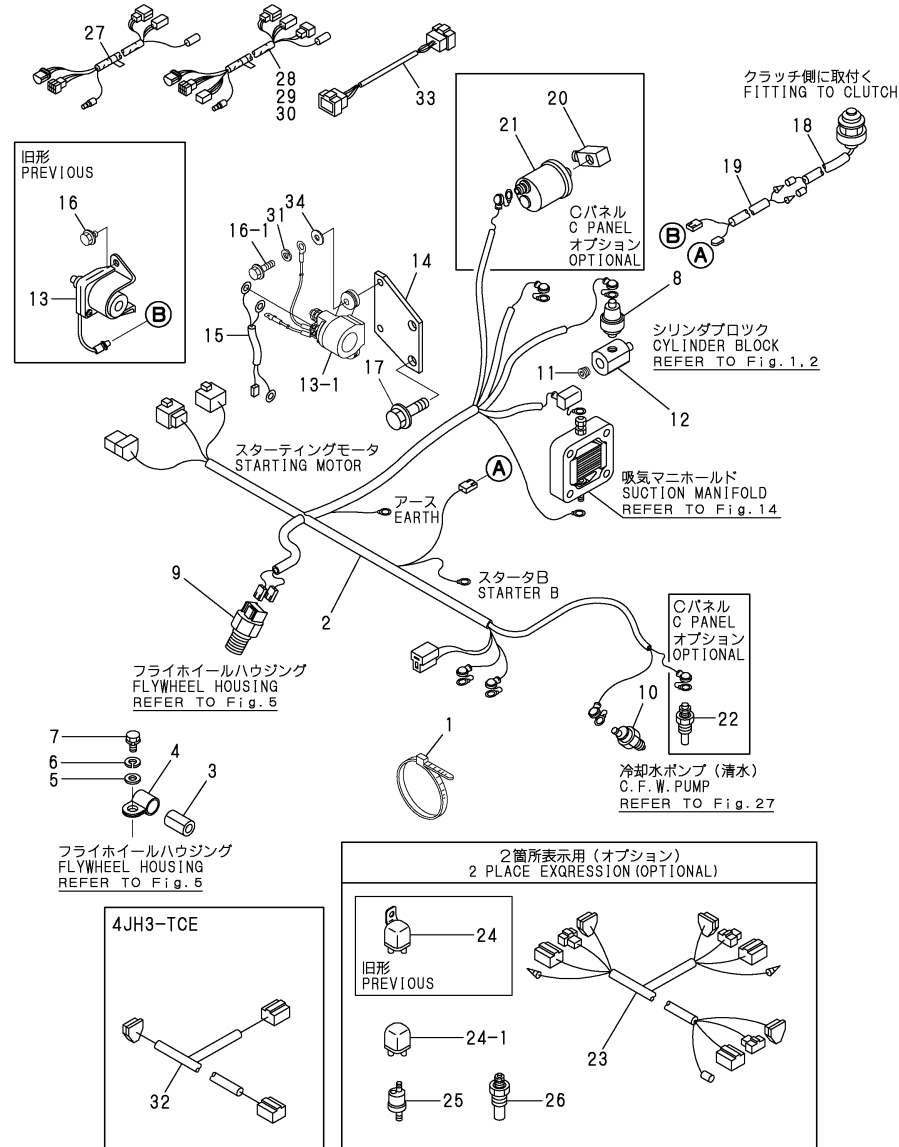
++ CONTINUE ++

Remarks
 (1)INTERCHANGEABLE BY SIMULTANEOUS REPLACEMENT WITH REF.NO.13-1,16-1, 34.

Fig.54.WIRE HARNESS & SENSOR

(A)=4JH3E (D)=4JH3-TE
 (B)=4JH3CE (E)=4JH3-TCE
 (C)=4JH3CE1 (F)=

P/C NEWS No:Y00R4671-2
 PUBLISHED:2004/8

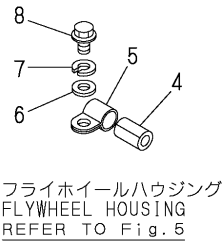
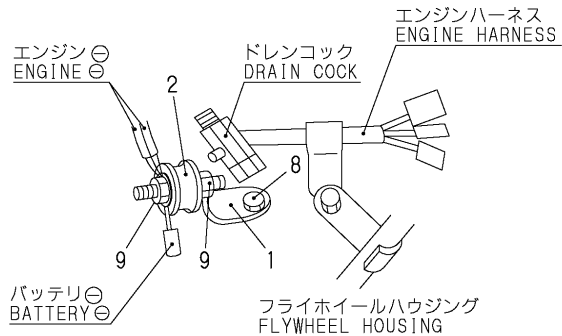
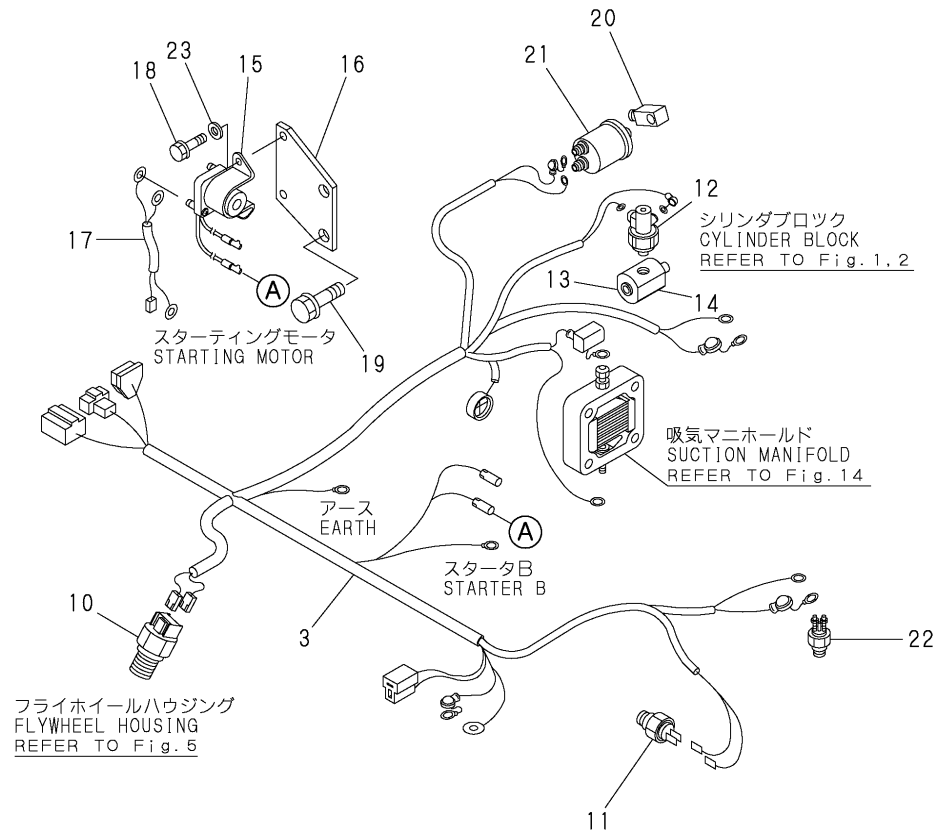


REF.	LEV.	PARTS NO.	DESCRIPTION	QTY						I	R	
				(A)	(B)	(C)	(D)	(E)	(F)			
		(A=*2004.06)	(B=*2004.06)	(C=*2004.06)	(D=*2004.06)	(E=*2004.06)						

Remarks
 (1)INTERCHANGEABLE BY SIMULTANEOUS REPLACEMENT WITH REF.NO.13-1,16-1, 34.

(A)=4JH3E (D)=4JH3-TE
 (B)=4JH3CE (E)=4JH3-TCE
 (C)=4JH3CE1 (F)=

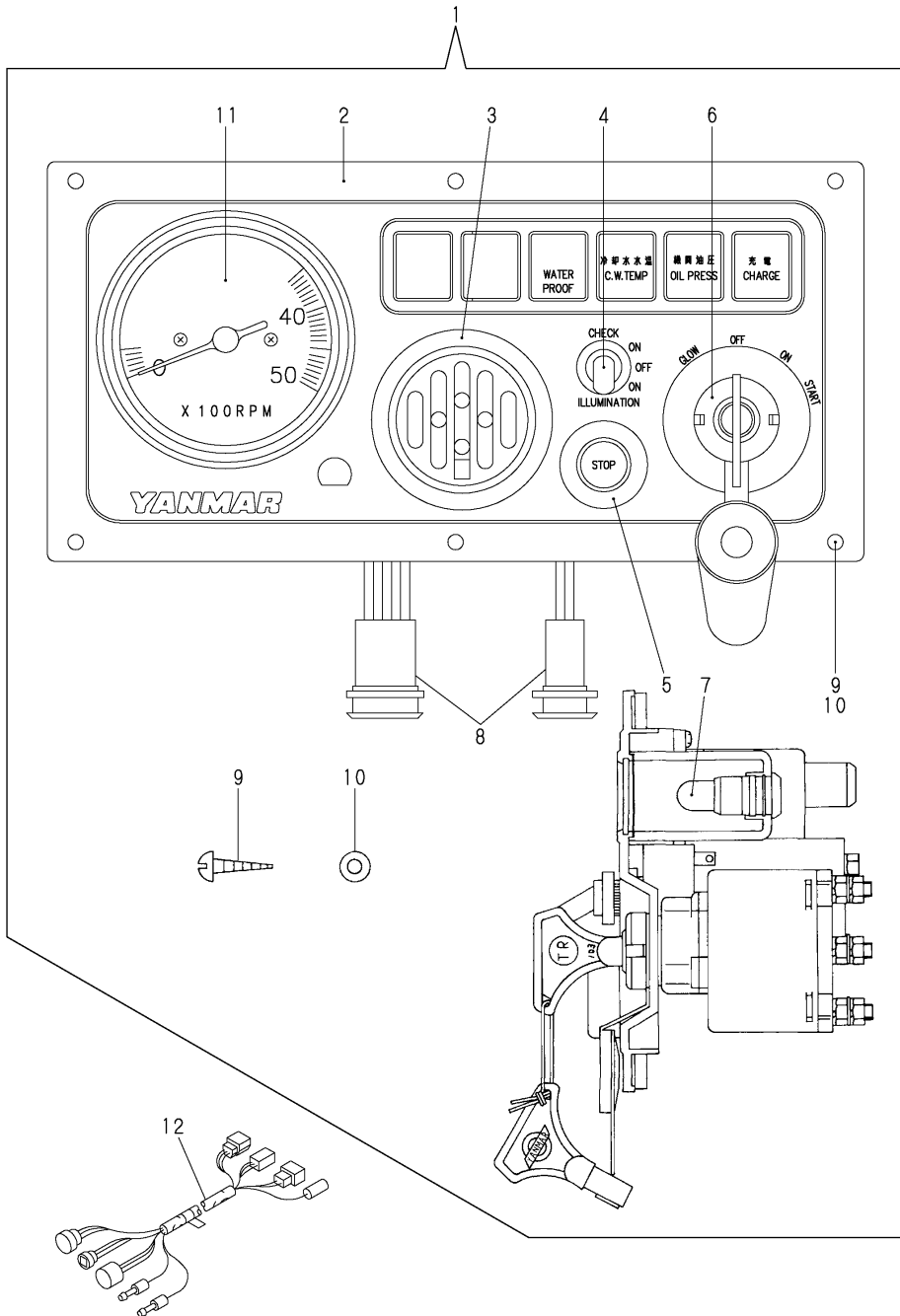
Fig.55.WIRE HARNESS(EARTH FLOAT TYPE)



REF.	LEV.	PARTS NO.	DESCRIPTION	QTY						I	R
				(A)	(B)	(C)	(D)	(E)	(F)		
1	1	129590-59200	CLAMP	1	1	1	1	1			
2	1	194555-62750	RUBBER, CUSHION	1	1	1	1	1			
3	1	129570-77820	HARNESS, WIRE	1	1	1					
3A	1	129574-77820	HARNESS, WIRE					1	1		
4	1	124770-77940	PROTECTOR	1	1	1	1	1			
5	1	124070-77950	CLAMP	1	1	1	1	1			
6	1	22137-080000	WASHER 8, POLISHED	1	1	1	1	1			
7	1	22217-080000	SPRING WASHER 8	1	1	1	1	1			
8	1	26106-080142	BOLT M 8X 14 PLATED	2	2	2	2	2			
9	1	26716-080002	NUT M 8	2	2	2	2	2			
10	1	128170-91160	SENSOR, TACHOMETER	1	1	1	1	1			
11	1	129570-91320	SWITCH, THERMO(100C)	1	1	1	1	1			
12	1	126630-91591	SWITCH,OIL PRESSURE	1	1	1	1	1			
13	1	23876-010000	PLUG PT1/8,SCREW	1	1	1	1	1			
14	1	43580-500680	DAMPER PT1/8	1	1	1	1	1			
15	1	129570-77920	STARTER RELAY	1	1	1	1	1			
16	1	129573-77951	BRACKET	1	1	1	1	1			
17	1	129573-77960	HARNESS, WIRE	1	1	1	1	1			
18	1	26106-060082	BOLT M 6X 8 PLATED	2	2	2	2	2			
19	1	26106-100162	BOLT M10X 16 PLATED	2	2	2	2	2			
20	1	123482-39670	DAMPER	1	1	1	1	1			
21	1	126630-91560	SENDER UNIT	1	1	1	1	1			
I 21-1	1	119773-91520	SENDER UNIT	1	1	1	1	1			R
		(A=E/#25003)	(B=E/#25003)	(C=E/#25003)	(D=E/#12191)	(E=E/#12191)					
22	1	126630-91570	SENDER UNIT	1	1	1	1	1			
23	1	22217-060000	SPRING WASHER 6	2	2	2	2	2			

Fig.56.INSTRUMENT PANEL(B:4JH3E)

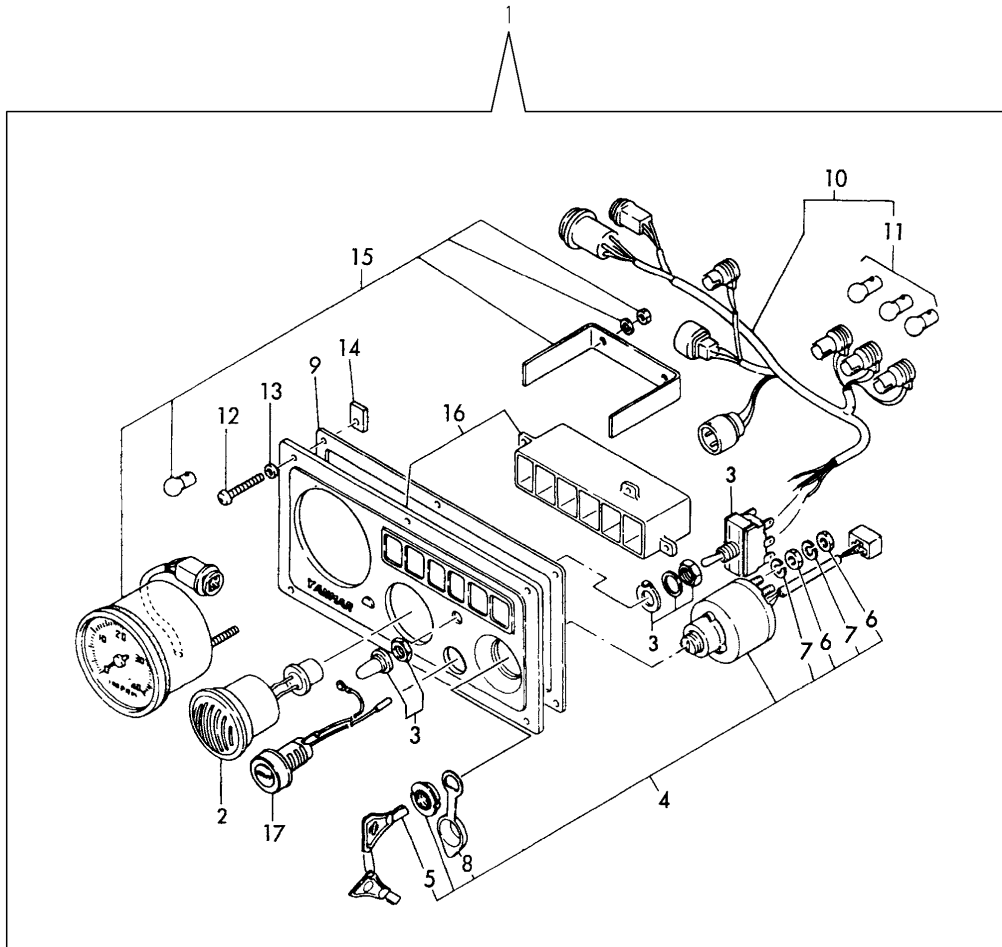
(A)=4JH3E (D)=4JH3-TE
 (B)=4JH3CE (E)=4JH3-TCE
 (C)=4JH3CE1 (F)=



REF.	LEV.	PARTS NO.	DESCRIPTION	QTY						I	R
				(A)	(B)	(C)	(D)	(E)	(F)		
1	1	129670-91110	PANEL B ASSY	1	1	1					
2	2	129495-91010	HOUSING, PANEL	1	1	1					
3	2	104271-91352	BUZZER	1	1	1					
4	2	128170-91310	SWITCH, LAMP	1	1	1					
5	2	129470-91190	STOPPER	1	1	1					
6	2	127412-91250	SWITCH W/KEY	1	1	1					
7	2	124617-91920	BULB	4	4	4					
8	2	129171-91850	HARNESS,WIRE	1	1	1					
9	2	128170-91810	SCREW M5	6	6	6					
10	2	128170-91820	WASHER 5	6	6	6					
11	2	129670-91200	TACHOMETER	1	1	1					
12	1	129574-77860	HARNESS ADAPTER 12V	1	1	1					

Fig.57.INSTRUMENT PANEL(B:4JH3-TE)

(A)=4JH3E (D)=4JH3-TE
 (B)=4JH3CE (E)=4JH3-TCE
 (C)=4JH3CE1 (F)=



REF.	LEV.	PARTS NO.	DESCRIPTION	QTY						I	R	
				(A)	(B)	(C)	(D)	(E)	(F)			
1	1	124411-91190	PANEL ASSY, INSTRUM				1	1				
I 1-1	1	124411-91191	PANEL ASSY, INSTRUM				1	1			N	
			(D=E/#12387)				(E=E/#12387)					
2	2	104271-91351	BUZZER				1	1				
3	2	128170-91310	SWITCH, LAMP				1	1				
4	2	127412-91250	SWITCH W/KEY				1	1				
5	3	123482-91291	KEY, SWITCH				1	1				
6	3	26716-050002	NUT M 5				10	10				
7	3	22217-050000	SPRING WASHER 5				10	10				
8	3	127620-91820	COVER				1	1				
9	2	128170-91020	GASKET				1	1				
10	2	128170-91031	HARNESS, WIRE				1	1				
11	3	194151-55820	BULB 12V-3.4W				3	3				
12	2	128170-91810	SCREW M5				6	6				
13	2	128170-91820	WASHER 5				6	6				
14	2	128170-91830	PLATE NUT M5				6	6				
15	2	128696-91100	TACHOMETER				1	1				
16	2	124411-91010	BODY, PANEL				1	1				
17	2	129470-91190	STOPPER				1	1				
I 18	1	129574-77860	HARNESS ADAPTER 12V				1	1			Z	
			(D=E/#12387)				(E=E/#12387)					
19	1	127610-77710	HARNESS, WIRE(3.8M)				1	1				
20	1	119171-77701	HARNESS, WIRE(6M)				1	1				

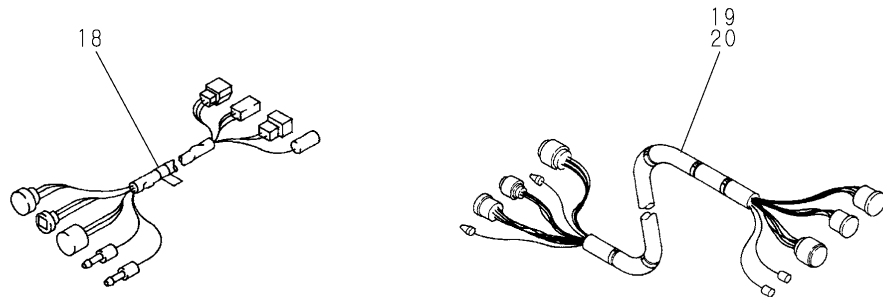
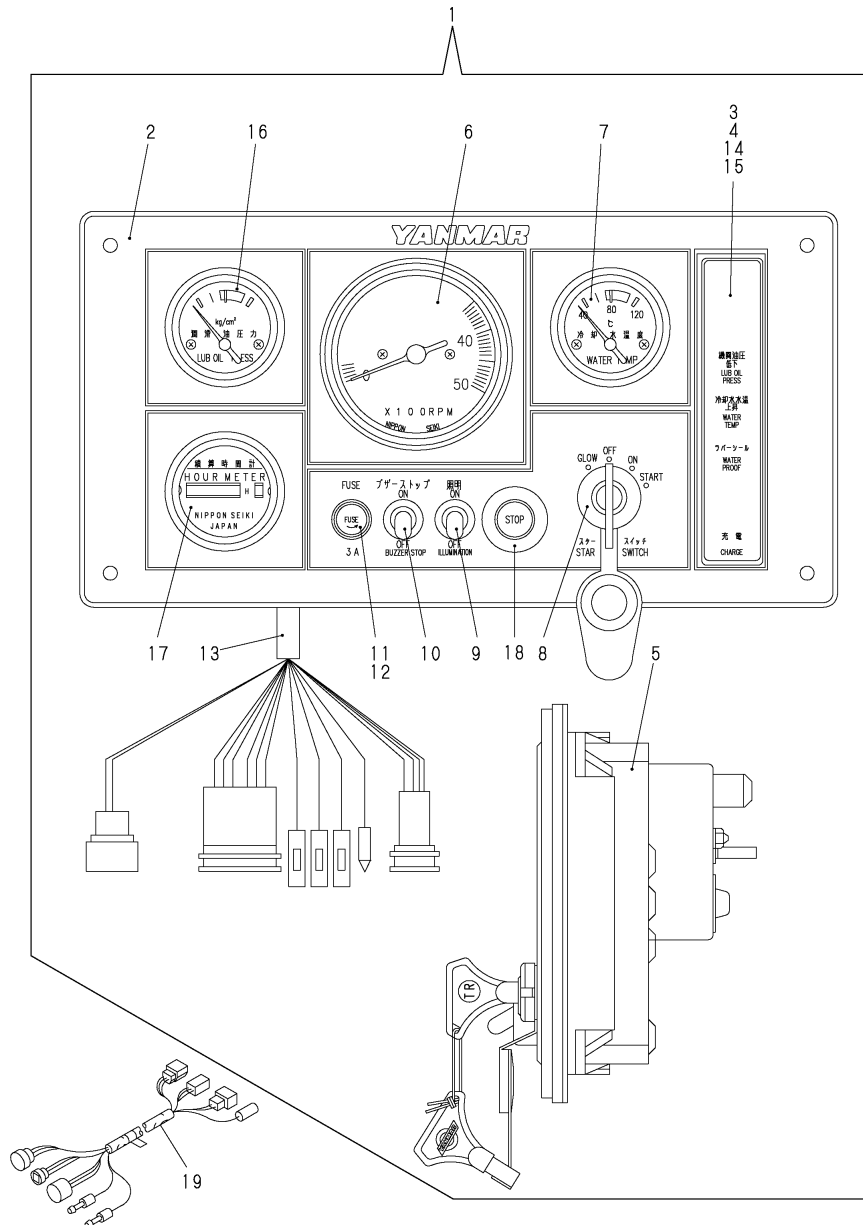


Fig.58.INSTRUMENT PANEL(C:4JH3E:PRE.)



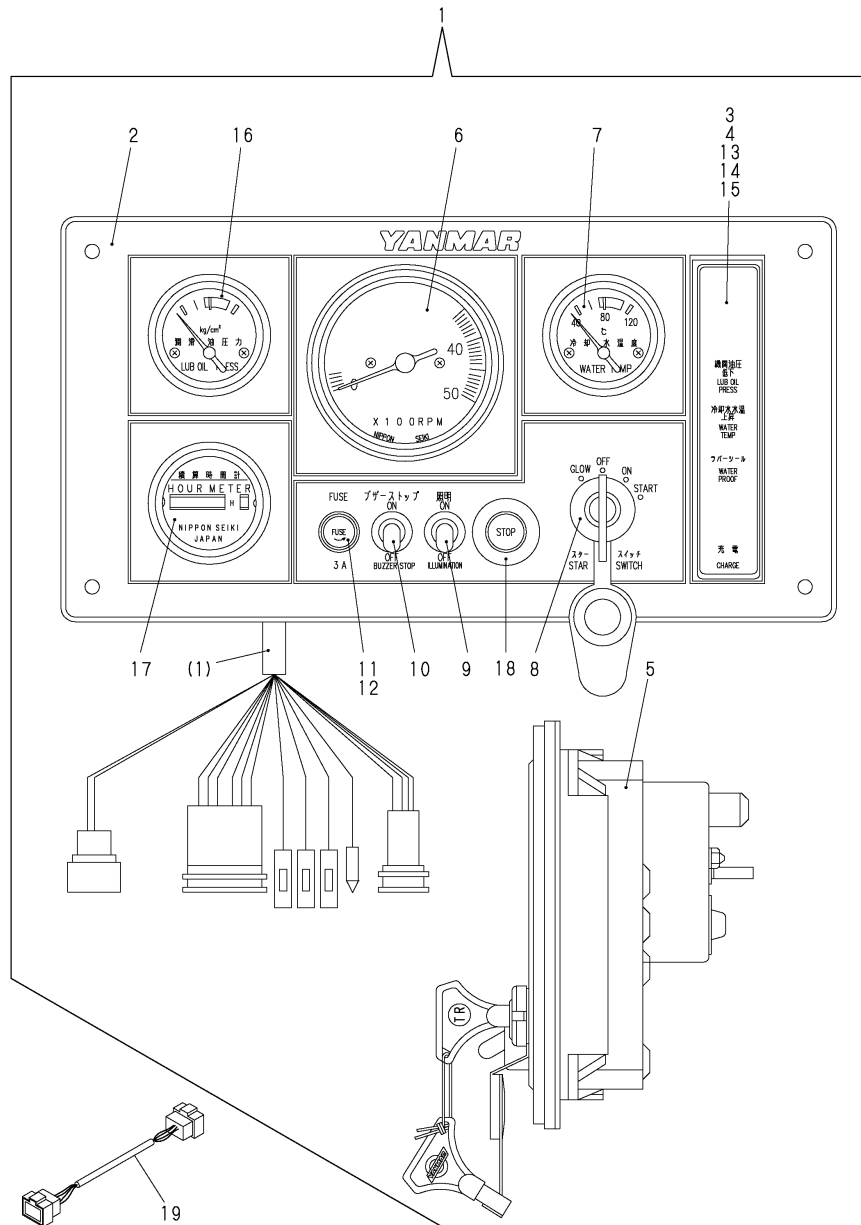
Remarks
 (1)INTERCHANGEABILITY IS <N> WITH
 FIG.59 REF.NO.1.

(A)=4JH3E (D)=4JH3-TE
 (B)=4JH3CE (E)=4JH3-TCE
 (C)=4JH3CE1 (F)=

REF.	LEV.	PARTS NO.	DESCRIPTION	QTY						I	R
				(A)	(B)	(C)	(D)	(E)	(F)		
1	1	129171-91171	PANEL ASSY, INSTRUM	1	1						
I	1-1	129171-91172	PANEL ASSY	1	1						S
		(A=E/#22126)	(B=E/#22126)								
I	1-2	129171-91172	PANEL ASSY	1	1	1					Z 1
		(A=E/#25155)	(B=E/#25155)	(C=E/#25155)							
2	2	129470-91180	BODY, PANEL(C-TYPE)	1	1	1					
3	2	129171-91600	PILOT LENS ASSY	1	1	1					
4	3	127410-91600	LENS	1	1	1					
5	2	127410-91620	BODY, PILOT BOX	1	1	1					
6	2	129171-91200	TACHOMETER	1	1	1					
7	2	124617-91840	THERMOMETER	1	1	1					
8	2	121575-91250	SWITCH W/KEY	1	1	1					
9	2	127687-91790	SWITCH	1	1	1					
10	2	128270-91350	BUZZER, ALARM	1	1	1					
11	2	46150-003610	BOX, FUSE	1	1	1					
12	3	46150-003620	FUSE	1	1	1					
13	2	129171-91880	HARNES,WIRE	1	1	1					
14	2	124617-91920	BULB	1	1	1					
15	2	194555-55820	BULB 12V-1.7W	7	7	7					
16	2	129470-91160	GAUGE, OIL PRESSURE	1	1						
I	16-1	129470-91161	METER	1	1	1					S
		(A=E/#22126)	(B=E/#22126)								
17	2	157854-04300	HOUR METER	1	1	1					
18	2	129470-91190	STOPPER	1	1	1					
I	19	129574-77860	HARNES ADAPTER 12V	1	1	1					Z
		(A=E/#25155)	(B=E/#25155)	(C=E/#25155)							

(A)=4JH3E (D)=4JH3-TE
 (B)=4JH3CE (E)=4JH3-TCE
 (C)=4JH3CE1 (F)=

Fig.59.INSTRUMENT PANEL(C:4JH3E)

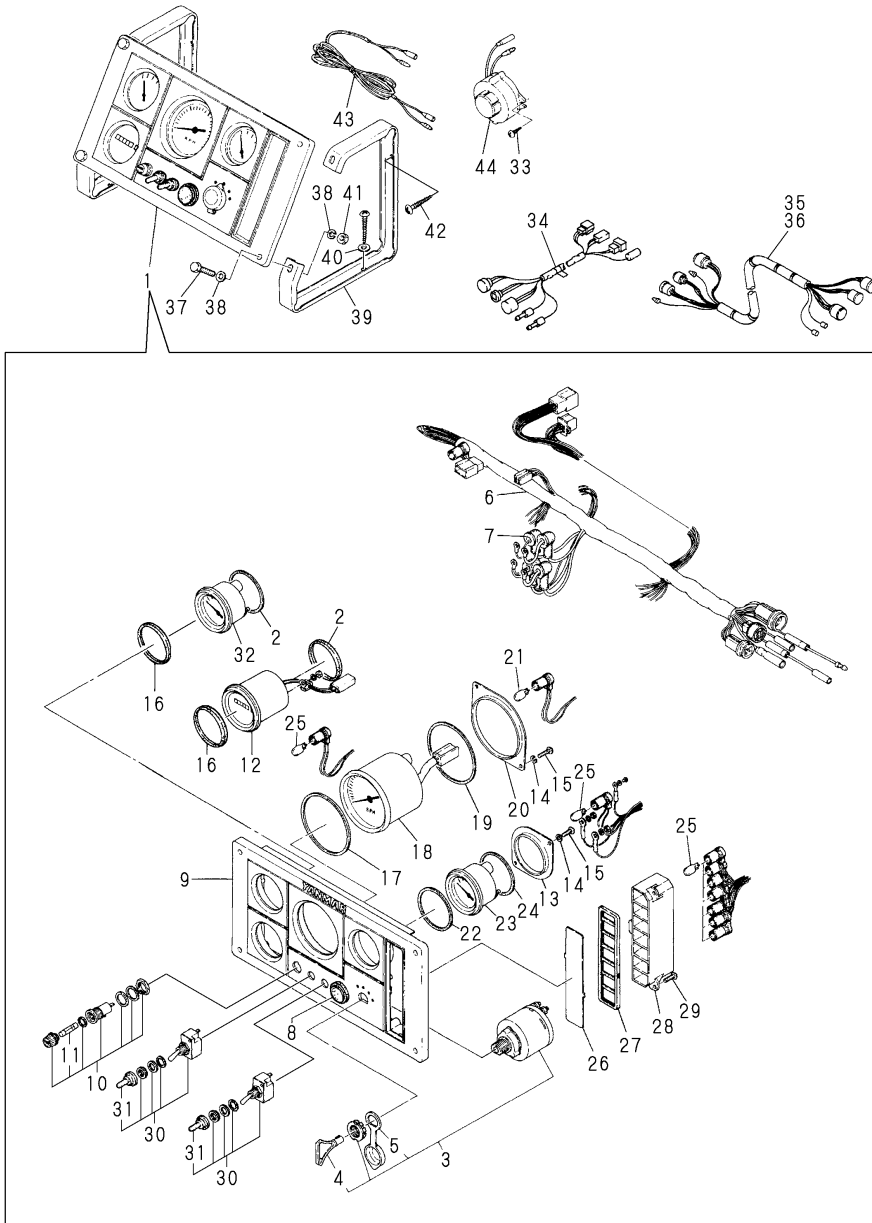


REF.	LEV.	PARTS NO.	DESCRIPTION	QTY						I	R
				(A)	(B)	(C)	(D)	(E)	(F)		
I	1	129171-91173 (A=E/#25155) (B=E/#25155) (C=E/#25155)	PANEL ASSY	1	1	1					W
I	1-1	129171-91174 (A=E/#25638) (B=E/#25638) (C=E/#25638)	PANEL ASSY	1	1	1					F 1
	2	129470-91180	BODY, PANEL(C-TYPE)	1	1	1					
	3	129171-91600	PILOT LENS ASSY	1	1	1					
	4	127410-91600	LENS	1	1	1					
	5	127410-91620	BODY, PILOT BOX	1	1	1					
	6	129171-91200	TACHOMETER	1	1	1					
	7	124617-91840	THERMOMETER	1	1	1					
	8	121575-91250	SWITCH W/KEY	1	1	1					
	9	127687-91790	SWITCH	1	1	1					
	10	128270-91350	BUZZER, ALARM	1	1	1					
	11	46150-003610	BOX, FUSE	1	1	1					
	12	46150-003620	FUSE	1	1	1					
	13	127410-91610	RETAINER	1	1	1					
	14	124617-91920	BULB	1	1	1					
	15	194555-55820	BULB 12V-1.7W	7	7	7					
	16	129470-91161	METER	1	1	1					
	17	157854-04300	HOUR METER	1	1	1					
	18	129470-91190	STOPPER	1	1	1					
I	19	129670-77990 (A=E/#25638) (B=E/#25638) (C=E/#25638)	ADAPTER(CONNECTOR)	1	1	1					W

Remarks
 (1)INTERCHANGEABLE BY SIMULTANEOUS
 REPLACEMENT WITH REF.NO.19.

(A)=4JH3E (D)=4JH3-TE
 (B)=4JH3CE (E)=4JH3-TCE
 (C)=4JH3CE1 (F)=

Fig.60.INSTRUMENT PANEL(C:4JH3-TE)

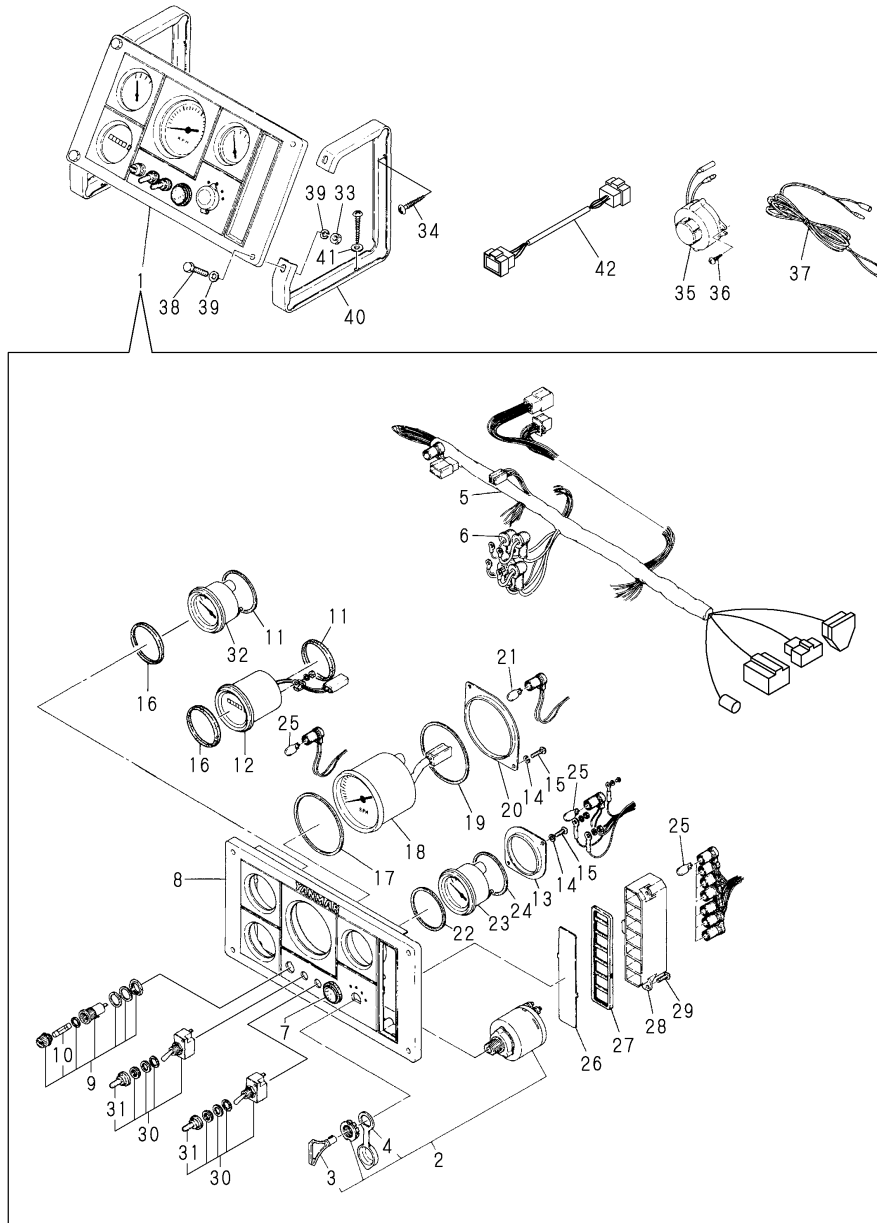


REF.	LEV.	PARTS NO.	DESCRIPTION	QTY						I	R	
				(A)	(B)	(C)	(D)	(E)	(F)			
1	1	129470-91100	PANEL ASSY, INSTRUM				1					
I	1-1	1	129470-91101 (D=E/#10584)				1					S
I	1-2	1	129470-91101 (D=E/#12387)				1	1				Z 1
2	2	127410-91590	PACKING				2	2				
3	2	121575-91250	SWITCH W/KEY				1	1				
4	3	123482-91291	KEY, SWITCH				2	2				
5	3	127620-91820	COVER				1	1				
6	2	129470-91150	HARNESS, WIRE				1	1				
7	2	127620-91830	CAP				4	4				
8	2	129470-91190	STOPPER				1	1				
9	2	129470-91180	BODY, PANEL(C-TYPE)				1	1				
10	2	46150-003610	BOX, FUSE				1	1				
11	3	124617-91990	FUSE (3A)				3	3				
12	2	157854-04300	HOUR METER				1	1				
13	2	127410-91510	BRACKET				3	3				
14	2	127410-91520	WASHER				8	8				
15	2	127410-91530	SCREW				8	8				
16	2	127410-91580	PACKING, RUBBER				2	2				
17	2	127410-91550	GASKET, RUBBER				1	1				
18	2	129470-91170	TACHOMETER				1	1				
19	2	127410-91560	GASKET, RUBBER				1	1				
20	2	127410-91570	BRACKET				1	1				
21	2	124617-91920	BULB				1	1				
22	2	127410-91580	PACKING, RUBBER				1	1				
23	2	124617-91840	THERMOMETER				1	1				
24	2	127410-91590	PACKING				1	1				
25	2	124617-91980	BULB				6	6				
26	2	127410-91600	LENS				1	1				
27	2	127410-91610	RETAINER				1	1				
28	2	127410-91620	BODY, PILOT BOX				1	1				
29	2	127410-91630	SCREW				3	3				
30	2	127620-91790	SWITCH				2	2				
31	3	127620-91780	CAP				2	2				
32	2	129470-91160	GAUGE, OIL PRESSURE				1					
I	32-1	2	129470-91161 (D=E/#10584)				1	1				S
33	1	22717-410160	SCREW 4.1X16				2	2				
I	34	1	129574-77860 (D=E/#12387)				1	1				Z
35	1	127610-77710	HARNESS, WIRE(3.8M) (E=E/#12387)				1	1				
36	1	119171-77701	HARNESS, WIRE(6M)				1	1				
37	1	127620-91500	SCREW				4	4				
38	1	127620-91510	WASHER				8	8				
39	1	127410-91680	BRACKET, PANEL				2	2				
40	1	127620-91560	WASHER				4	4				
41	1	127620-91550	NUT				4	4				
42	1	127620-91570	SCREW				4	4				
43	1	127620-91580	WIRE				1	1				
44	1	124617-91900	BUZZER				1	1				

Remarks
 (1)INTERCHANGEABILITY IS <N> WITH
 FIG.61 REF.NO.1.

Fig.61.INSTRUMENT PANEL(C:4JH3-TE)

(A)=4JH3E (D)=4JH3-TE
 (B)=4JH3CE (E)=4JH3-TCE
 (C)=4JH3CE1 (F)=

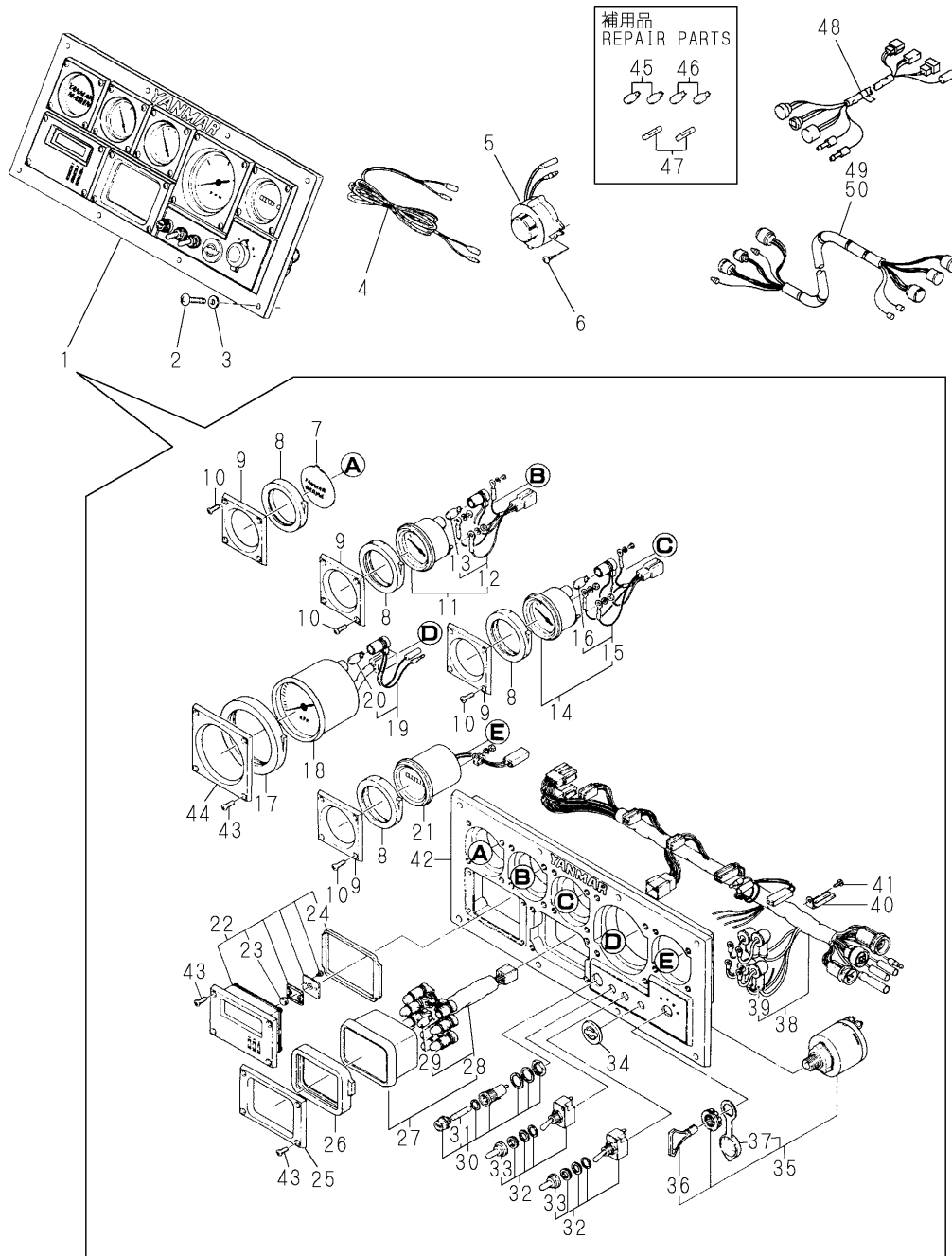


REF.	LEV.	PARTS NO.	DESCRIPTION	QTY						I	R	
				(A)	(B)	(C)	(D)	(E)	(F)			
I	1	1	129470-91102	PANEL ASSY,INSTRUM				1	1			W
				(D=E/#12387)				(E=E/#12387)				
I	1-1	1	129470-91103	PANEL ASSY,INSTRUM				1	1			F 1
				(D=E/#12811)				(E=E/#12811)				
	2	2	121575-91250	SWITCH W/KEY				1	1			
	3	3	123482-91291	KEY, SWITCH				2	2			
	4	3	127620-91820	COVER				1	1			
	5	2	129171-91880	HARNES,WIRE				1	1			
	6	2	127620-91830	CAP				4	4			
	7	2	129470-91190	STOPPER				1	1			
	8	2	129470-91180	BODY, PANEL(C-TYPE)				1	1			
	9	2	46150-003620	FUSE				1	1			
	10	3	124617-91990	FUSE (3A)				3	3			
	11	2	127410-91590	PACKING				2	2			
	12	2	157854-04300	HOUR METER				1	1			
	13	2	127410-91510	BRACKET				3	3			
	14	2	127410-91520	WASHER				8	8			
	15	2	127410-91530	SCREW				8	8			
	16	2	127410-91580	PACKING, RUBBER				2	2			
	17	2	127410-91550	GASKET, RUBBER				1	1			
	18	2	129470-91170	TACHOMETER				1	1			
	19	2	127410-91560	GASKET, RUBBER				1	1			
	20	2	127410-91570	BRACKET				1	1			
	21	2	124617-91920	BULB				1	1			
	22	2	127410-91580	PACKING, RUBBER				1	1			
	23	2	124617-91840	THERMOMETER				1	1			
	24	2	127410-91590	PACKING				1	1			
	25	2	194555-55820	BULB 12V-1.7W				6	6			
	26	2	127410-91600	LENS				1	1			
	27	2	127410-91610	RETAINER				1	1			
	28	2	127410-91620	BODY, PILOT BOX				1	1			
	29	2	127410-91630	SCREW				3	3			
	30	2	127687-91790	SWITCH				2	2			
	31	3	127620-91780	CAP				2	2			
	32	2	129470-91161	METER				1	1			
	33	1	127620-91550	NUT				4	4			
	34	1	127620-91570	SCREW				4	4			
	35	1	124617-91900	BUZZER				1	1			
	36	1	22717-410160	SCREW 4.1X16				1	1			
	37	1	127620-91580	WIRE				1	1			
	38	1	127620-91500	SCREW				4	4			
	39	1	127620-91510	WASHER				8	8			
	40	1	127410-91680	BRACKET, PANEL				2	2			
	41	1	127620-91560	WASHER				4	4			
I	42	1	129670-77990	ADAPTER(CONNECTOR)				1	1			W
				(D=E/#12811)				(E=E/#12811)				

Remarks
 (1)INTERCHANGEABLE BY SIMULTANEOUS
 REPLACEMENT WITH REF.NO.42.

Fig.62.INSTRUMENT PANEL(D:4JH3-TE)

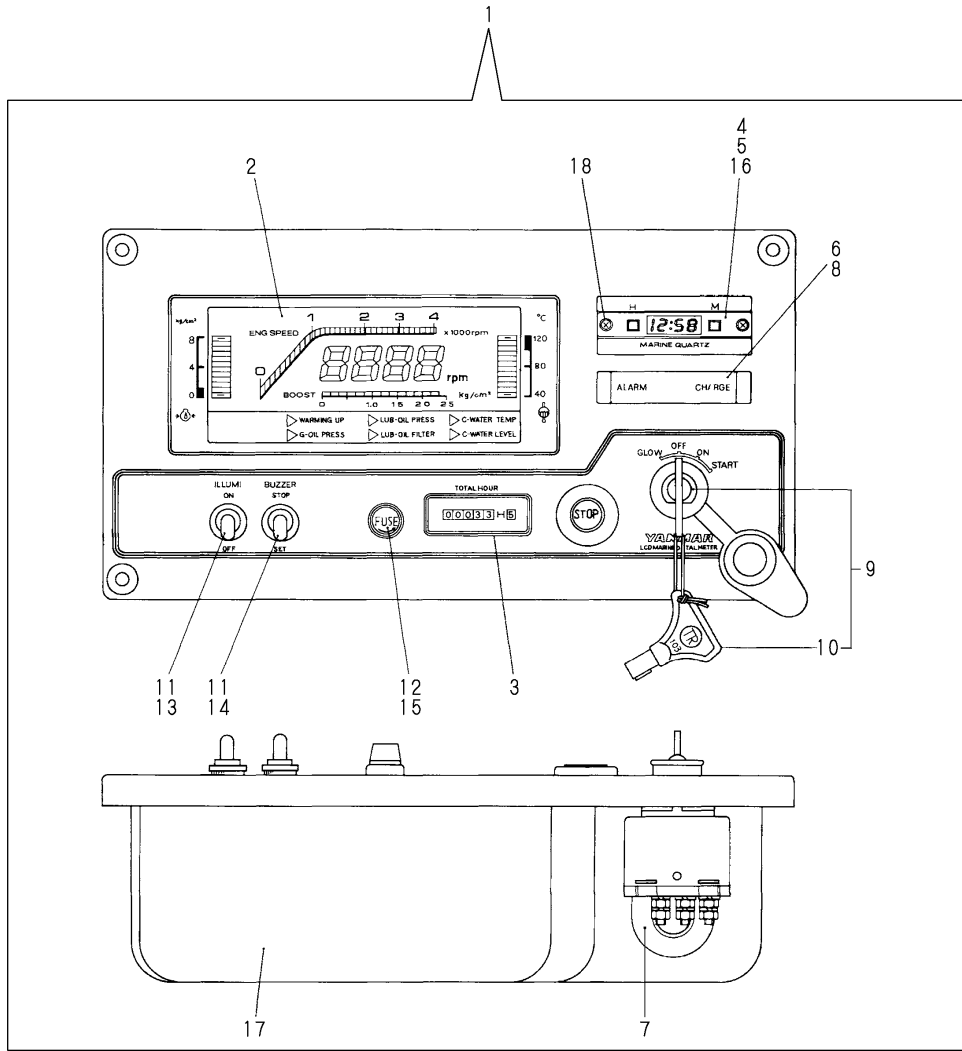
(A)=4JH3E (D)=4JH3-TE
 (B)=4JH3CE (E)=4JH3-TCE
 (C)=4JH3CE1 (F)=



REF.	LEV.	PARTS NO.	DESCRIPTION	QTY						I	R	
				(A)	(B)	(C)	(D)	(E)	(F)			
1	1	124411-91180	PANEL ASSY, INSTRUM				1	1				
2	2	127620-91860	RETAINER				1	1				
3	2	127620-91870	SCREW				1	1				
4	2	127620-91930	PANEL				1	1				
5	2	127620-91630	SCREW				12	12				
6	2	127620-91410	BRACKET				1	1				
7	2	127620-91600	COVER				1	1				
8	2	127620-91610	CUSHION				4	4				
9	2	127620-91620	BRACKET				4	4				
10	2	127620-91630	SCREW				16	16				
11	2	124617-91830	GAUGE, OIL PRESSURE				1	1				
12	3	124617-91910	WIRE W/BULB				1	1				
13	4	124617-91920	BULB				1	1				
14	2	124617-91840	THERMOMETER				1	1				
15	3	124617-91930	WIRE				1	1				
16	4	124617-91920	BULB				1	1				
17	2	127620-91690	CUSHION				1	1				
18	2	128696-91100	TACHOMETER				1	1				
19	2	124617-91950	WIRE W/BULB				1	1				
20	3	124617-91920	BULB				1	1				
21	2	124617-91820	HOURMETER				1	1				
22	2	127620-91240	TIMER				1	1				
23	3	127620-91250	CELL				1	1				
24	3	127620-91720	GASKET				1	1				
25	2	127620-91730	BRACKET				1	1				
26	3	127620-91740	CUSHION				1	1				
27	2	124617-91810	BOX ASSY, LAMP				1	1				
28	3	124617-91970	WIRE W/BULB				1	1				
29	4	124617-91980	BULB				8	8				
30	2	46150-003610	BOX, FUSE				1	1				
31	3	124617-91990	FUSE (3A)				1	1				
32	2	127620-91790	SWITCH				2	2				
33	3	127620-91780	CAP				2	2				
34	2	127620-91810	PLUG				1	1				
35	2	121575-91250	SWITCH W/KEY				1	1				
36	3	123482-91291	KEY, SWITCH				2	2				
37	3	127620-91820	COVER				1	1				
38	2	124617-91940	HARNES, WIRE				1	1				
39	3	127620-91830	CAP				4	4				
40	1	129574-77860	HARNES ADAPTER 12V				1	1				
41	1	119171-77701	HARNES, WIRE(6M)				1	1				
42	1	127610-77710	HARNES, WIRE(3.8M)				1	1				
43	1	127620-91500	SCREW				8	8				
44	1	127620-91510	WASHER				8	8				
45	1	127620-91580	WIRE				1	1				
46	1	124617-91900	BUZZER				1	1				
47	1	22717-410160	SCREW 4.1X16				2	2				

(A)=4JH3E (D)=4JH3-TE
 (B)=4JH3CE (E)=4JH3-TCE
 (C)=4JH3CE1 (F)=

Fig.63.INSTRUMENT PANEL(E:4JH3-TE)



REF.	LEV.	PARTS NO.	DESCRIPTION	QTY						I	R	
				(A)	(B)	(C)	(D)	(E)	(F)			
1	1	119171-91180	PANNEL ASSY				1	1				
2	2	127687-91210	LCD ASSY				1	1				
3	2	120147-91230	HOURL METER				1	1				
4	2	120147-91760	BULB				1	1				
5	2	127687-91240	CLOCK ASSY				1	1				
6	2	127687-91220	PILOT BOX ASSY				1	1				
7	2	127687-91800	GROMMET				1	1				
8	2	124617-91920	BULB				4	4				
9	2	127412-91250	SWITCH W/KEY				1	1				
10	3	123482-91291	KEY, SWITCH				2	2				
11	2	127687-91770	CAP				2	2				
12	2	46150-003610	BOX, FUSE				1	1				
13	2	127687-91790	SWITCH				1	1				
14	2	127687-91780	SWITCH				1	1				
15	2	46150-003620	FUSE				1	1				
16	2	127687-91250	GASKET				1	1				
17	2	127687-91840	COVER				1	1				
18	2	127687-91890	SCREW				2	2				
19	1	124617-91900	BUZZER				1	1				
20	1	127620-91580	WIRE				1	1				
21	1	129574-77860	HARNES ADAPTER 12V				1	1				
22	1	119171-77701	HARNES, WIRE(6M)				1	1				
23	1	127610-77710	HARNES, WIRE(3.8M)				1	1				

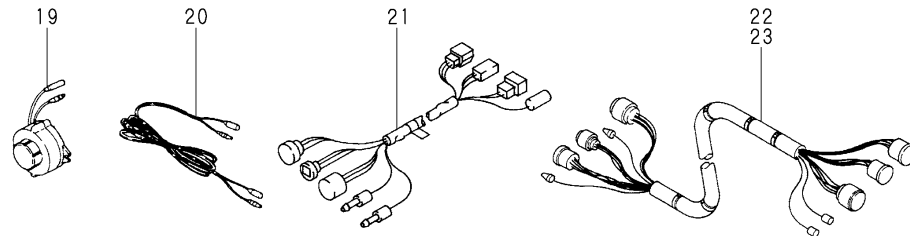
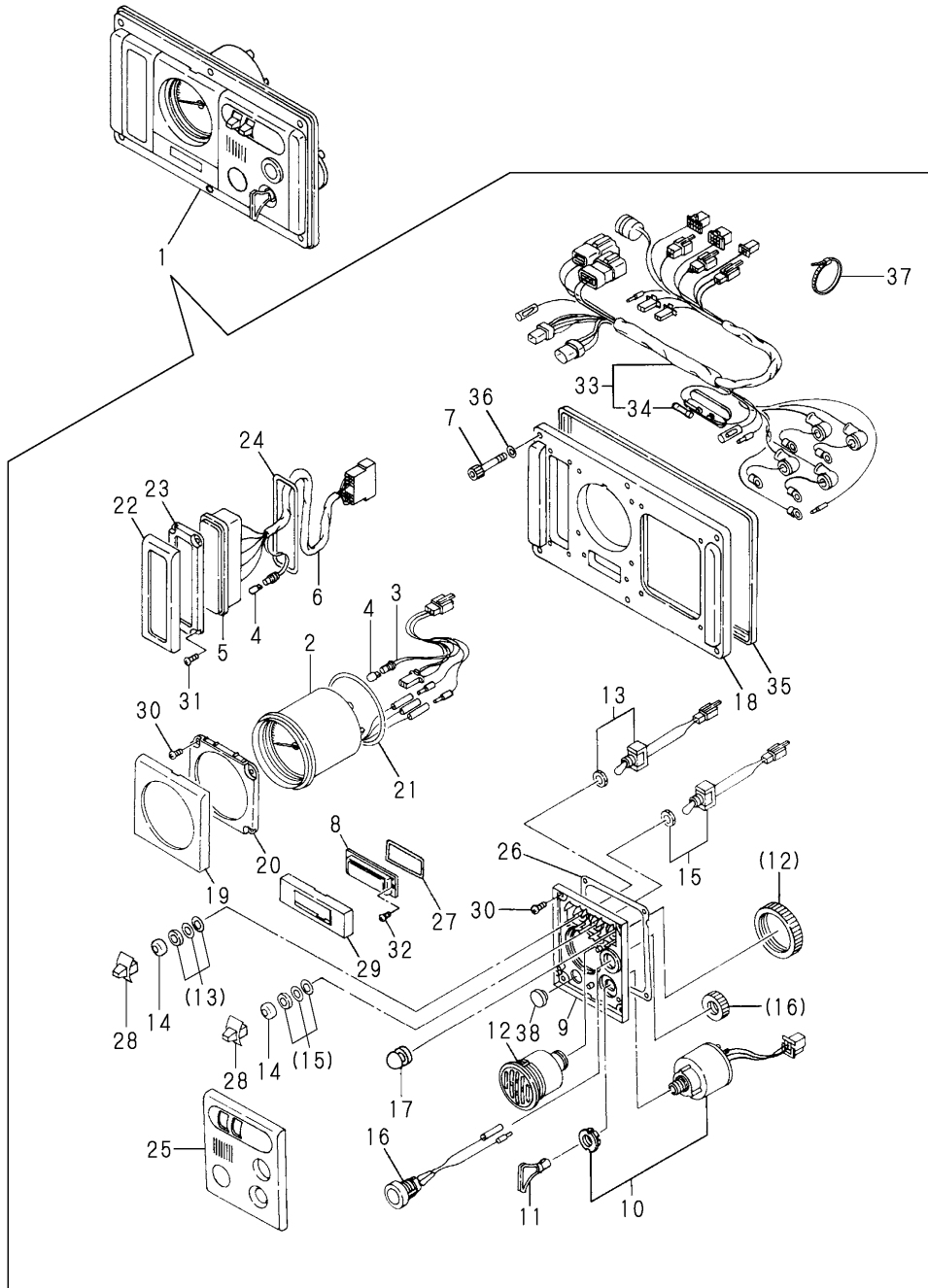


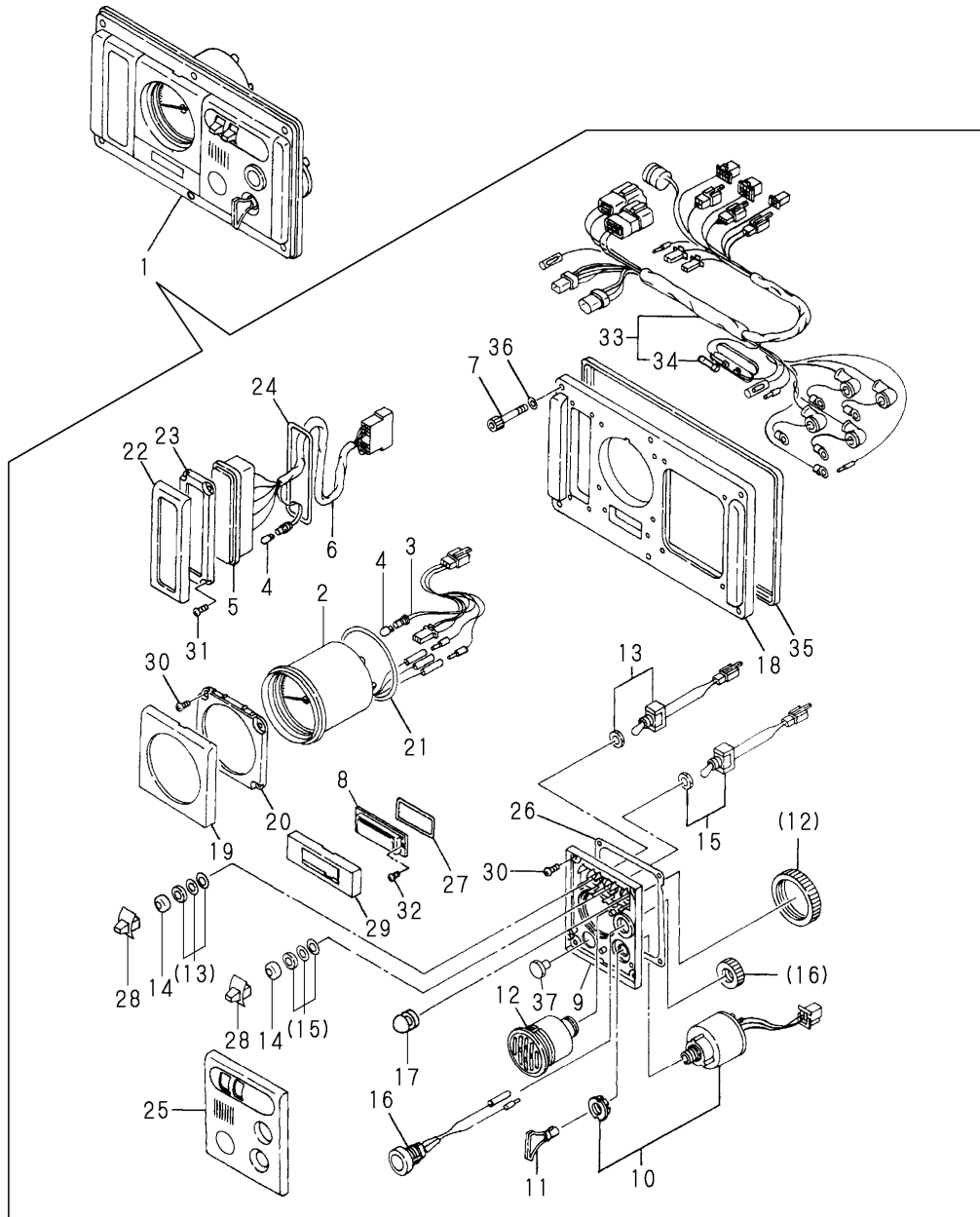
Fig.64.PANEL(B:NEW TYPE:4JH3E)

(A)=4JH3E (D)=4JH3-TE
 (B)=4JH3CE (E)=4JH3-TCE
 (C)=4JH3CE1 (F)=



REF.	LEV.	PARTS NO.	DESCRIPTION	QTY						I	R
				(A)	(B)	(C)	(D)	(E)	(F)		
1	1	129670-91130	PANEL ASSY,B NEW	1	1	1					
2	2	119773-91200	METER, TACHO./HOUR	1	1	1					
3	2	129574-91870	WIRE	1	1	1					
4	2	124617-91980	BULB	5	5	5					
5	2	128391-91260	BOX ASSY, LAMP	1	1	1					
6	2	128391-91860	WIRE	1	1	1					
7	2	127687-91870	BOLT 6X 35	6	6	6					
8	2	129170-91650	COVER	1	1	1					
9	2	129574-91410	BRACKET	1	1	1					
10	2	121575-91250	SWITCH W/KEY	1	1	1					
11	2	123482-91291	KEY, SWITCH	1	1	1					
12	2	104271-91352	BUZZER	1	1	1					
13	2	129170-91800	SWITCH	1	1	1					
14	2	129574-91780	CAP	2	2	2					
15	2	129574-91790	SWITCH	1	1	1					
16	2	129470-91190	STOPPER	1	1	1					
17	2	129170-91810	BLIND	1	1	1					
18	2	128391-91930	PANEL	1	1	1					
19	2	129574-91620	COVER	1	1	1					
20	2	129574-91420	BRACKET	1	1	1					
21	2	129574-91720	GASKET	1	1	1					
22	2	128391-91640	COVER	1	1	1					
23	2	128391-91440	PLATE	1	1	1					
24	2	128391-91740	GASKET	1	1	1					
25	2	129170-91610	COVER	1	1	1					
26	2	129574-91710	GASKET	1	1	1					
27	2	129574-91750	GASKET	1	1	1					
28	2	129574-91770	KNOB	2	2	2					
29	2	129574-91650	COVER	1	1	1					
30	2	127692-91410	SCREW	8	8	8					
31	2	127692-91440	SCREW	4	4	4					
32	2	127692-91450	SCREW	2	2	2					
33	2	129570-91850	HARNES,MAIN WIRE(B	1	1	1					
34	3	124617-91990	FUSE (3A)	1	1	1					
35	2	128391-91700	PACKING	1	1	1					
36	2	127687-91880	WASHER	6	6	6					
37	2	198451-78680	CLAMP,CORD	1	1	1					
38	2	129574-91760	BLIND	1	1	1					

Fig.65.PANEL(B:NEW TYPE:4JH3-TE)

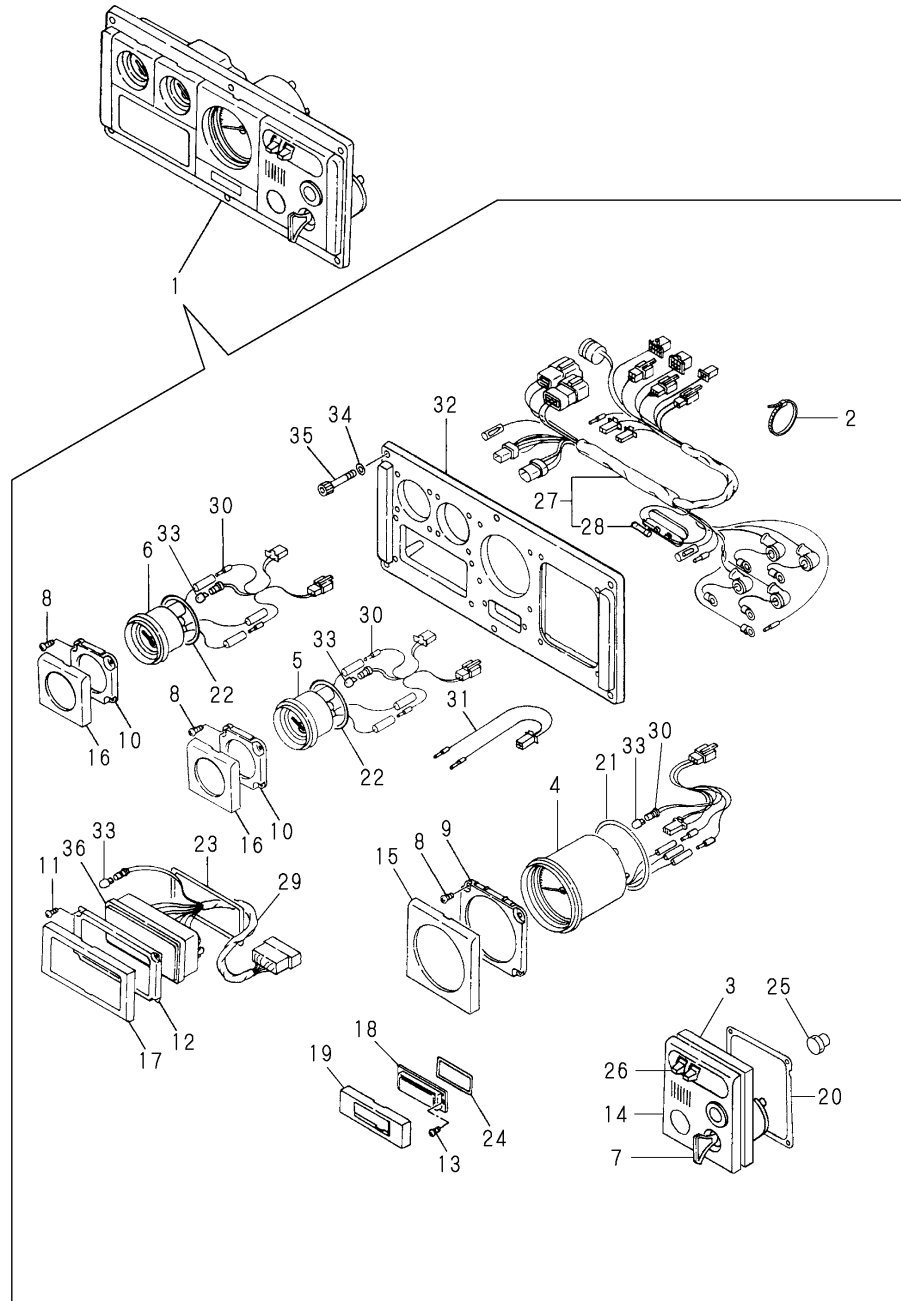


(A)=4JH3E (D)=4JH3-TE
 (B)=4JH3CE (E)=4JH3-TCE
 (C)=4JH3CE1 (F)=

REF.	LEV.	PARTS NO.	DESCRIPTION	QTY						I	R	
				(A)	(B)	(C)	(D)	(E)	(F)			
1	1	129574-91130	PANEL ASSY, INSTRUM				1	1				
2	2	129574-91200	METER, TACHO./HOUR				1	1				
3	2	129574-91870	WIRE				1	1				
4	2	124617-91980	BULB				5	5				
5	2	128391-91260	BOX ASSY, LAMP				1	1				
6	2	120130-91860	WIRE				1	1				
7	2	127687-91870	BOLT 6X 35				6	6				
8	2	129170-91650	COVER				1	1				
9	2	129574-91410	BRACKET				1	1				
10	2	121575-91250	SWITCH W/KEY				1	1				
11	2	123482-91291	KEY, SWITCH				1	1				
12	2	104271-91352	BUZZER				1	1				
13	2	129170-91800	SWITCH				1	1				
14	2	129574-91780	CAP				2	2				
15	2	129574-91790	SWITCH				1	1				
16	2	129470-91190	STOPPER				1	1				
17	2	129170-91810	BLIND				1	1				
18	2	128391-91930	PANEL				1	1				
19	2	129574-91620	COVER				1	1				
20	2	129574-91420	BRACKET				1	1				
21	2	129574-91720	GASKET				1	1				
22	2	128391-91640	COVER				1	1				
23	2	128391-91440	PLATE				1	1				
24	2	128391-91740	GASKET				1	1				
25	2	129170-91610	COVER				1	1				
26	2	129574-91710	GASKET				1	1				
27	2	129574-91750	GASKET				1	1				
28	2	129574-91770	KNOB				2	2				
29	2	129574-91650	COVER				1	1				
30	2	127692-91410	SCREW				8	8				
31	2	127692-91440	SCREW				4	4				
32	2	127692-91450	SCREW				2	2				
33	2	129570-91850	HARNES MAIN WIRE(B				1	1				
34	3	124617-91990	FUSE (3A)				1	1				
35	2	128391-91700	PACKING				1	1				
36	2	127687-91880	WASHER				6	6				
37	2	129574-91760	BLIND				1	1				

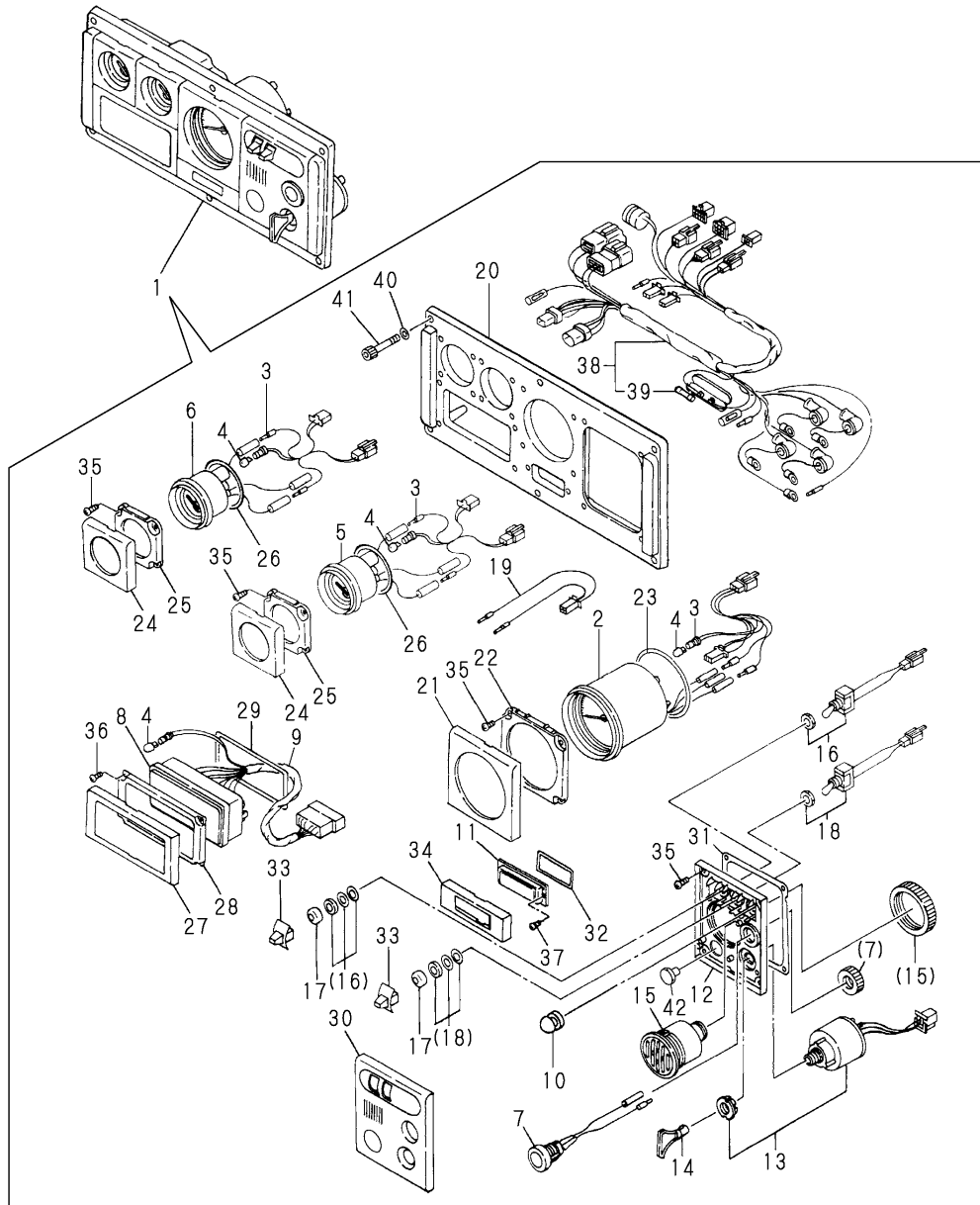
(A)=4JH3E (D)=4JH3-TE
 (B)=4JH3CE (E)=4JH3-TCE
 (C)=4JH3CE1 (F)=

Fig.66.PANEL(C:NEW TYPE:4JH3E)



REF.	LEV.	PARTS NO.	DESCRIPTION	QTY						I	R
				(A)	(B)	(C)	(D)	(E)	(F)		
I	1	129670-91162 (A=E/#25626)	INSTRUMENT PANEL (B=E/#25626) (C=E/#25626)	1	1	1					W
	2	198451-78680	CLAMP, CORD	2	2	2					
	3	129470-91191	BOX ASSY, SW	1	1	1					
	4	119773-91200	METER, TACHO./HOUR	1	1	1					
	5	129574-91210	METER	1	1	1					
	6	129574-91222	METER	1	1	1					
	7	123482-91291	KEY, SWITCH	1	1	1					
	8	127692-91410	SCREW	16	16	16					
	9	129574-91420	BRACKET	1	1	1					
	10	129574-91430	BRACKET	2	2	2					
	11	127692-91440	SCREW	4	4	4					
	12	129574-91440	BRACKET	1	1	1					
	13	127692-91450	SCREW	2	2	2					
	14	129170-91610	COVER	1	1	1					
	15	129574-91620	COVER	1	1	1					
	16	129574-91630	COVER	2	2	2					
	17	129574-91640	COVER	1	1	1					
	18	129170-91650	COVER	1	1	1					
	19	129574-91650	COVER	1	1	1					
	20	129574-91710	GASKET	1	1	1					
	21	129574-91720	GASKET	1	1	1					
	22	129574-91730	GASKET	2	2	2					
	23	129574-91740	GASKET	1	1	1					
	24	129574-91750	GASKET	1	1	1					
	25	129574-91760	BLIND	1	1	1					
	26	129574-91770	KNOB	2	2	2					
	27	129170-91850	HARNES, WIRE	1	1	1					
	28	124617-91990	FUSE (3A)	1	1	1					
	29	129170-91860	WIRE W/BULB	1	1	1					
	30	129574-91870	WIRE	3	3	3					
	31	129574-91890	WIRE	1	1	1					
	32	129170-91930	PANEL	1	1	1					
	33	124617-91980	BULB	7	7	7					
	34	127687-91880	WASHER	6	6	6					
	35	127687-91870	BOLT 6X 35	6	6	6					
	36	XYM0234016N	BOX ASSY, LAMP	1	1	1					

Fig.67.PANEL(C:NEW TYPE:PREVIOUS)



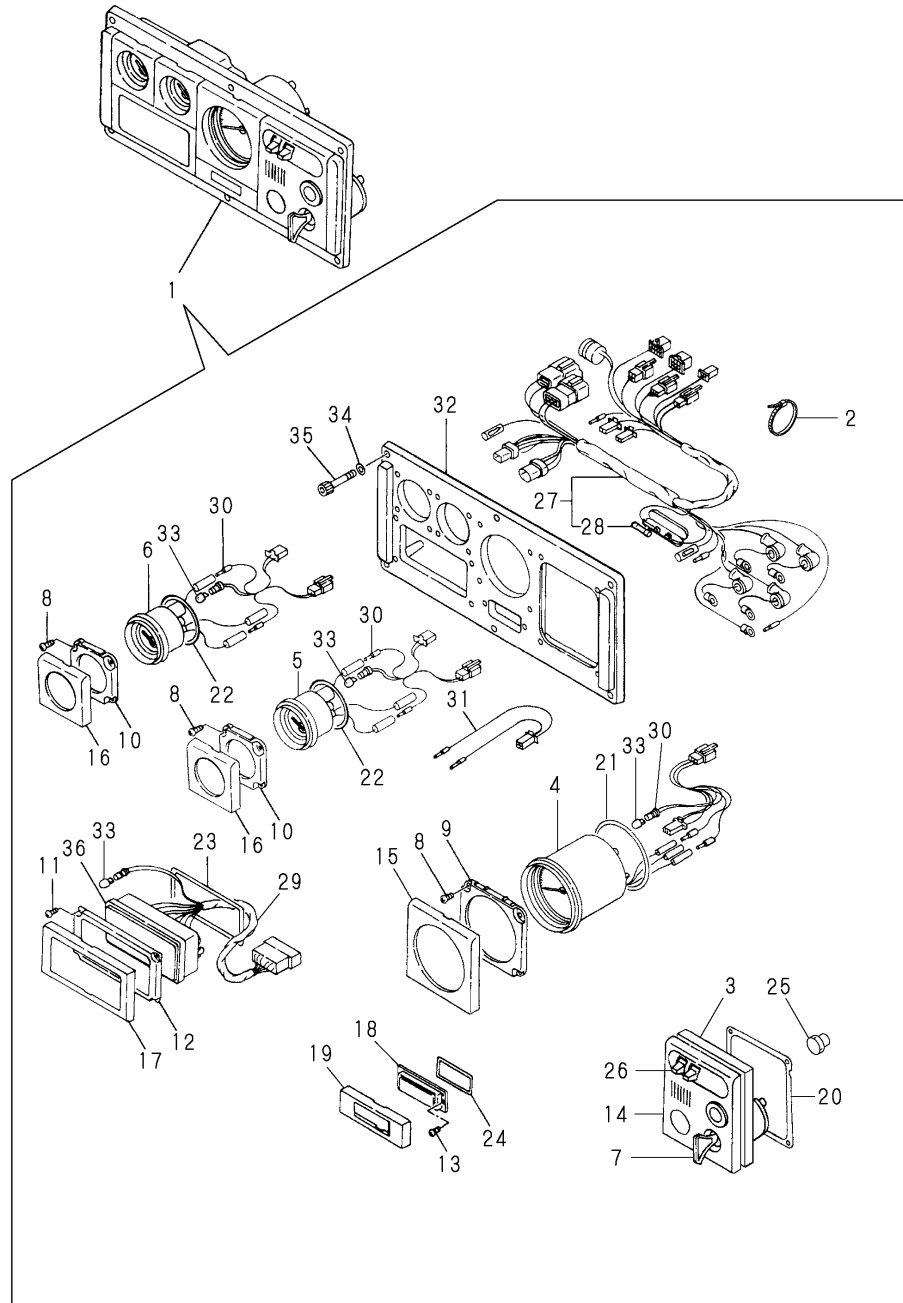
Remarks
 (1)INTERCHANGEABILITY IS <N> WITH
 FIG.68 REF.NO.1.

(A)=4JH3E (D)=4JH3-TE
 (B)=4JH3CE (E)=4JH3-TCE
 (C)=4JH3CE1 (F)=

REF.	LEV.	PARTS NO.	DESCRIPTION	QTY						I	R	
				(A)	(B)	(C)	(D)	(E)	(F)			
1	1	129574-91160	PANEL ASSY, INSTRUM				1					
I	1-1	1	129574-91161 (D=E/#10584)				1					S
I	1-2	1	129574-91161 (D=E/#12753)				1	1				Z 1
								(E=E/#12753)				
2	2	129574-91200	METER, TACHO./HOUR				1	1				
3	2	129574-91870	WIRE				3	3				
4	2	124617-91980	BULB				8	8				
5	2	129574-91210	METER				1	1				
6	2	129574-91220	METER				1					
I	6-1	2	129574-91221 (D=E/#10584)				1	1				S
7	2	129470-91190	STOPPER				1	1				
8	2	129170-91260	BOX ASSY, LAMP				1	1				
9	2	129170-91860	WIRE W/BULB				1	1				
10	2	129170-91810	BLIND				1	1				
11	2	129170-91650	COVER				1	1				
12	2	129574-91410	BRACKET				1	1				
13	2	121575-91250	SWITCH W/KEY				1	1				
14	2	123482-91291	KEY, SWITCH				1	1				
15	2	104271-91352	BUZZER				1	1				
16	2	129170-91800	SWITCH				1	1				
17	2	129574-91780	CAP				2	2				
18	2	129574-91790	SWITCH				1	1				
19	2	129574-91890	WIRE				1	1				
20	2	129170-91930	PANEL				1	1				
21	2	129574-91620	COVER				1	1				
22	2	129574-91420	BRACKET				1	1				
23	2	129574-91720	GASKET				1	1				
24	2	129574-91630	COVER				2	2				
25	2	129574-91430	BRACKET				2	2				
26	2	129574-91730	GASKET				2	2				
27	2	129574-91640	COVER				1	1				
28	2	129574-91440	BRACKET				1	1				
29	2	129574-91740	GASKET				1	1				
30	2	129170-91610	COVER				1	1				
31	2	129574-91710	GASKET				1	1				
32	2	129574-91750	GASKET				1	1				
33	2	129574-91770	KNOB				2	2				
34	2	129574-91650	COVER				1	1				
35	2	127692-91410	SCREW				16	16				
36	2	127692-91440	SCREW				4	4				
37	2	127692-91450	SCREW				2	2				
38	2	129170-91850	HARNES, WIRE				1	1				
39	3	124617-91990	FUSE (3A)				1	1				
40	2	127687-91880	WASHER				6	6				
41	2	127687-91870	BOLT 6X 35				6	6				
42	2	129574-91760	BLIND				1	1				

Fig.68.PANEL(C:NEW TYPE:4JH3-TE)

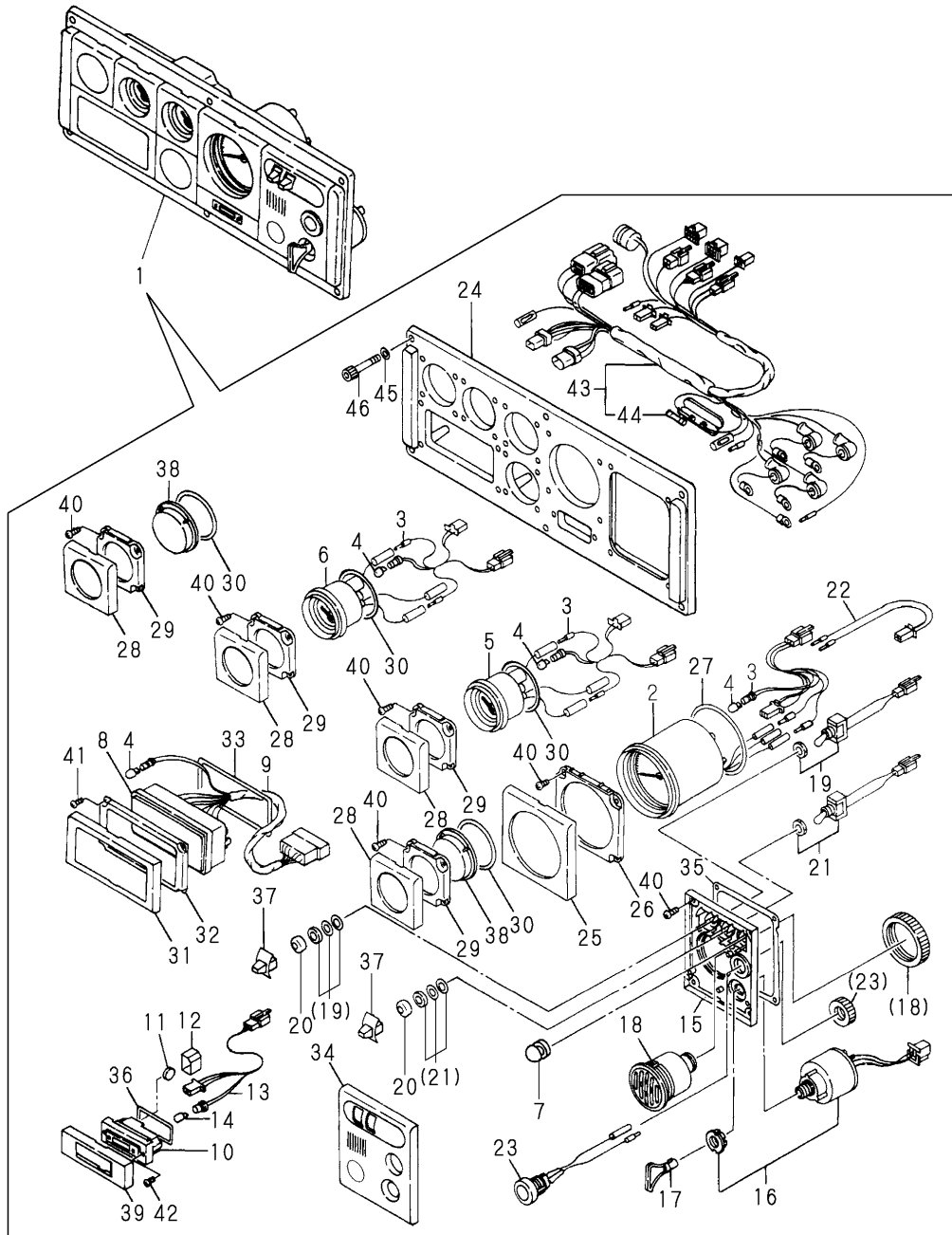
(A)=4JH3E (D)=4JH3-TE
 (B)=4JH3CE (E)=4JH3-TCE
 (C)=4JH3CE1 (F)=



REF.	LEV.	PARTS NO.	DESCRIPTION	QTY						I	R	
				(A)	(B)	(C)	(D)	(E)	(F)			
I	1	1	129574-91162	PANEL ASSY, INSTRUM				1	1			W
				(D=E/#12753)			(E=E/#12753)					
	2	2	198451-78680	CLAMP, CORD				2	2			
	3	2	129470-91191	BOX ASSY, SW				1	1			
	4	2	129574-91200	METER, TACHO./HOUR				1	1			
	5	2	129574-91210	METER				1	1			
	6	2	129574-91222	METER				1	1			
	7	2	123482-91291	KEY, SWITCH				1	1			
	8	2	127692-91410	SCREW				16	16			
	9	2	129574-91420	BRACKET				1	1			
	10	2	129574-91430	BRACKET				2	2			
	11	2	127692-91440	SCREW				4	4			
	12	2	129574-91440	BRACKET				1	1			
	13	2	127692-91450	SCREW				2	2			
	14	2	129170-91610	COVER				1	1			
	15	2	129574-91620	COVER				1	1			
	16	2	129574-91630	COVER				2	2			
	17	2	129574-91640	COVER				1	1			
	18	2	129170-91650	COVER				1	1			
	19	2	129574-91650	COVER				1	1			
	20	2	129574-91710	GASKET				1	1			
	21	2	129574-91720	GASKET				1	1			
	22	2	129574-91730	GASKET				2	2			
	23	2	129574-91740	GASKET				1	1			
	24	2	129574-91750	GASKET				1	1			
	25	2	129574-91760	BLIND				1	1			
	26	2	129574-91770	KNOB				2	2			
	27	2	129170-91850	HARNES, WIRE				1	1			
	28	3	124617-91990	FUSE (3A)				1	1			
	29	2	129170-91860	WIRE W/BULB				1	1			
	30	2	129574-91870	WIRE				1	1			
	31	2	129170-91890	WIRE				1	1			
	32	2	129170-91930	PANEL				1	1			
	33	2	124617-91980	BULB				7	7			
	34	2	127687-91880	WASHER				6	6			
	35	2	127687-91870	BOLT 6X 35				6	6			
	36	2	XYM0234001N	BOX ASSY, LAMP				1	1			

(A)=4JH3E (D)=4JH3-TE
 (B)=4JH3CE (E)=4JH3-TCE
 (C)=4JH3CE1 (F)=

Fig.69.PANEL(D:NEW TYPE:4JH3-TE)



REF.	LEV.	PARTS NO.	DESCRIPTION	QTY						I	R	
				(A)	(B)	(C)	(D)	(E)	(F)			
1	1	129574-91190	PANEL ASSY, INSTRUM				1	1				
2	2	129574-91200	METER, TACHO./HOUR				1	1				
3	2	129574-91870	WIRE				3	3				
4	2	124617-91980	BULB				8	8				
5	2	129574-91210	METER				1	1				
6	2	129574-91220	METER				1	1				
7	2	129170-91810	BLIND				1	1				
8	2	129574-91260	BOX ASSY, LAMP				1	1				
9	2	129574-91860	WIRE W/BULB				1	1				
10	2	129574-91240	CLOCK				1	1				
11	2	127620-91250	CELL				1	1				
12	2	129574-91490	HOLDER				1	1				
13	2	129574-91880	WIRE W/BULB				1	1				
14	2	120147-91760	BULB				1	1				
15	2	129574-91410	BRACKET				1	1				
16	2	121575-91250	SWITCH W/KEY				1	1				
17	2	123482-91291	KEY, SWITCH				1	1				
18	2	104271-91352	BUZZER				1	1				
19	2	129170-91800	SWITCH				1	1				
20	2	129574-91780	CAP				2	2				
21	2	129574-91790	SWITCH				1	1				
22	2	129574-91890	WIRE				1	1				
23	2	129470-91190	STOPPER				1	1				
24	2	129574-91930	PANEL				1	1				
25	2	129574-91620	COVER				1	1				
26	2	129574-91420	BRACKET				1	1				
27	2	129574-91720	GASKET				1	1				
28	2	129574-91630	COVER				4	4				
29	2	129574-91430	BRACKET				4	4				
30	2	129574-91730	GASKET				4	4				
31	2	129574-91640	COVER				1	1				
32	2	129574-91440	BRACKET				1	1				
33	2	129574-91740	GASKET				1	1				
34	2	129170-91610	COVER				1	1				
35	2	129574-91710	GASKET				1	1				
36	2	129574-91750	GASKET				1	1				
37	2	129574-91770	KNOB				2	2				
38	2	129574-91600	BLIND				2	2				
39	2	129574-91650	COVER				1	1				
40	2	127692-91410	SCREW				24	24				
41	2	127692-91440	SCREW				4	4				
42	2	127692-91450	SCREW				2	2				
43	2	129574-91850	HARNES,MAIN WIRE				1	1				
44	3	124617-91990	FUSE (3A)				1	1				
45	2	127687-91880	WASHER				6	6				
46	2	127687-91870	BOLT 6X 35				6	6				

Fig.70.CLUTCH

(A)=4JH3E (D)=4JH3-TE
 (B)=4JH3CE (E)=4JH3-TCE
 (C)=4JH3CE1 (F)=

REF.	LEV.	PARTS NO.	DESCRIPTION	QTY						I	R
				(A)	(B)	(C)	(D)	(E)	(F)		
1	1	129270-81020	MARINE GEAR,KM3P4	1							
I 1-1	1	129270-81021	MARINE GEAR,KM3P4	1							N
		(A=E/#20522)									
I 1-2	1	129270-81120	CLUTCH, KM35P I=2.61	1							S
		(A=E/#25682)									
2	1	129171-81010	CLUTCH ASSY(I=2.33)	1							
I 2-1	1	129270-81070	MARINE GEAR KM3A1	1							N
		(A=E/#20522)									
I 2-2	1	129270-81170	CLUTCH, KM35A I=2.33	1							S
		(A=E/#25682)									
3	1	129171-81020	CLUTCH ASSY(I=2.64)	1							
I 3-1	1	129270-81080	MARINE GEAR KM3A1	1							N
		(A=E/#20522)									
I 3-2	1	129270-81180	CLUTCH, KM35A I=2.64	1							S
		(A=E/#25682)									
4	1	129270-81010	MARINE GEAR,KM3P4	1							
I 4-1	1	129270-81011	MARINE GEAR,KM3P4	1							N
		(A=E/#20522)									
I 4-2	1	129270-81110	CLUTCH, KM35P I=2.36	1							S
		(A=E/#25682)									
I 5	1	129670-81010	CLUTCH, KBW20 I=2.17	1							Z
		(A=E/#25682)									
I 6	1	129670-81020	CLUTCH, KBW20 I=2.62	1							Z
		(A=E/#25682)									
I 7	1	129670-81030	CLUTCH, KBW20 I=3.28	1							Z
		(A=E/#25682)									
I 8	1	129670-81040	CLUTCH, KM4A I=1.47	1							Z
		(A=E/#25682)									
I 9	1	129670-81050	CLUTCH, KM4A I=2.14	1							Z
		(A=E/#25682)									
I 10	1	129670-81060	CLUTCH, KM4A I=2.63	1							Z
		(A=E/#25682)									
I 11	1	129670-81070	CLUTCH, KM4A I=3.30	1							Z
		(A=E/#25682)									
12	1	128170-13600	STUD	2							
13	1	26106-080202	BOLT M 8X 20 PLATED	6							
14	1	26306-080002	NUT	2							
I 15	1	129670-01630	SPACER,CLUTCH	1							Z
		(A=E/#25682)									
I 16	1	129670-21700	SPACER,FLYWHEEL	1							Z
		(A=E/#25682)									
I 17	1	129670-21710	SPACER,FAN	1							Z
		(A=E/#25682)									
I 18	1	22217-080000	SPRING WASHER 8	1							Z
		(A=E/#25682)									
I 19	1	26013-080402	BOLT M 8X 40	1							Z
		(A=E/#25682)									
I 20	1	26106-080402	BOLT M 8X 40 PLATED	1							Z
		(A=E/#25682)									
I 21	1	26450-080182	BOLT M 8X 18	1							Z
		(A=E/#25682)									
I 22	1	129473-81001	CLUTCH ASSY. I=1.47						1		W
									(D=E/#10055)		
23	1	129473-81012	CLUTCH ASSY. I=2.14						1		

++ CONTINUE ++

Remarks
 THIS FIGURE ARE NOT ILLUSTRATED.

Fig.70.CLUTCH

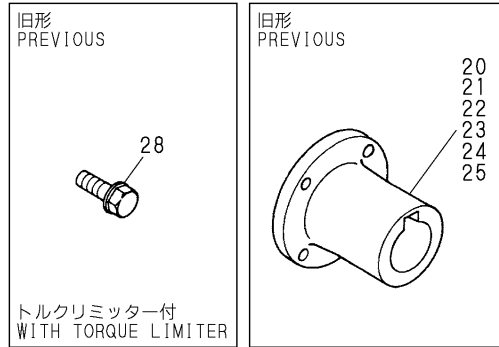
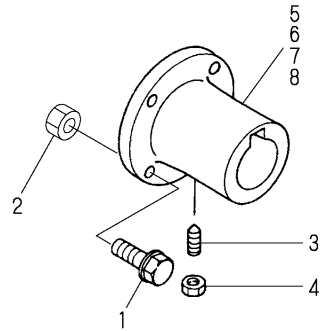
(A)=4JH3E (D)=4JH3-TE
 (B)=4JH3CE (E)=4JH3-TCE
 (C)=4JH3CE1 (F)=

REF.	LEV.	PARTS NO.	DESCRIPTION	Q'TY						I	R	
				(A)	(B)	(C)	(D)	(E)	(F)			
24	1	129473-81022	CLUTCH ASSY. I=2.63									
I 25	1	129473-81032	CLUTCH ASSY. I=3.30									W
			(D=E/#10055)									
26	1	129673-81010	MARINE GEAR I=2.04									
27	1	129673-81020	MARINE GEAR I=2.45									
28	1	129474-81011	CULTCH ASSY I=2.17									
29	1	129474-81021	CLUTCH CMP									
30	1	26106-100302	BOLT M10X 30 PLATED									
31	1	26226-100222	STUD M10X 22 PLATED									
32	1	26716-100002	NUT 10									

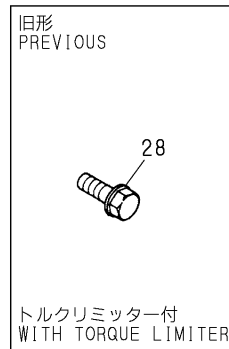
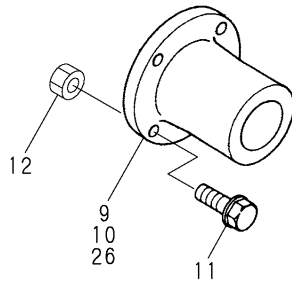
Remarks
 THIS FIGURE ARE NOT ILLUSTRATED.

Fig.71.CUPRING

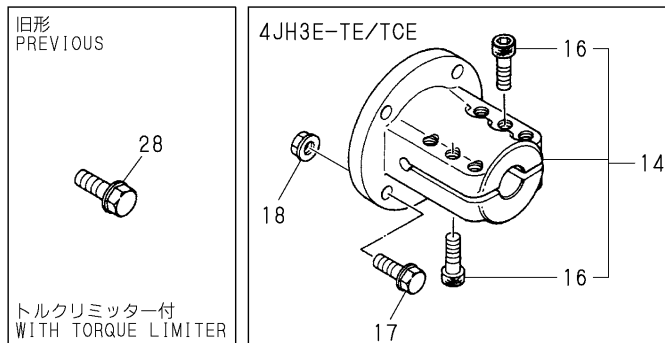
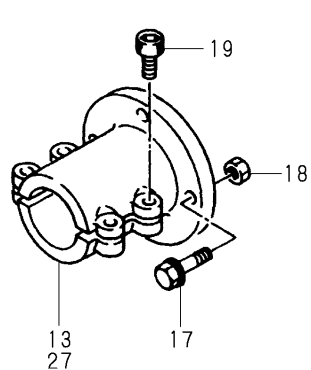
テーパカップリング
TAPER COUPLING



ストレートカップリング
STRAIGHT COUPLING



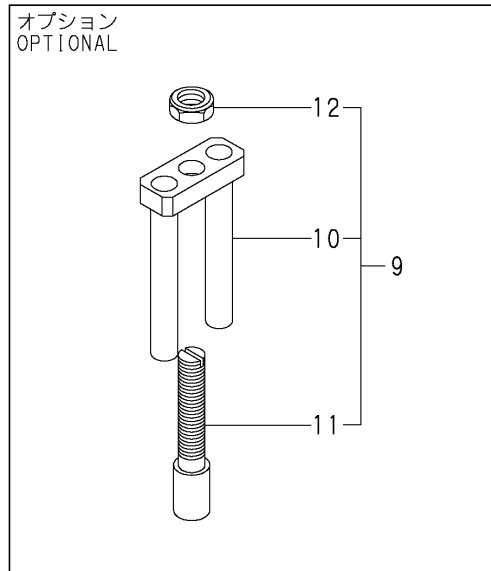
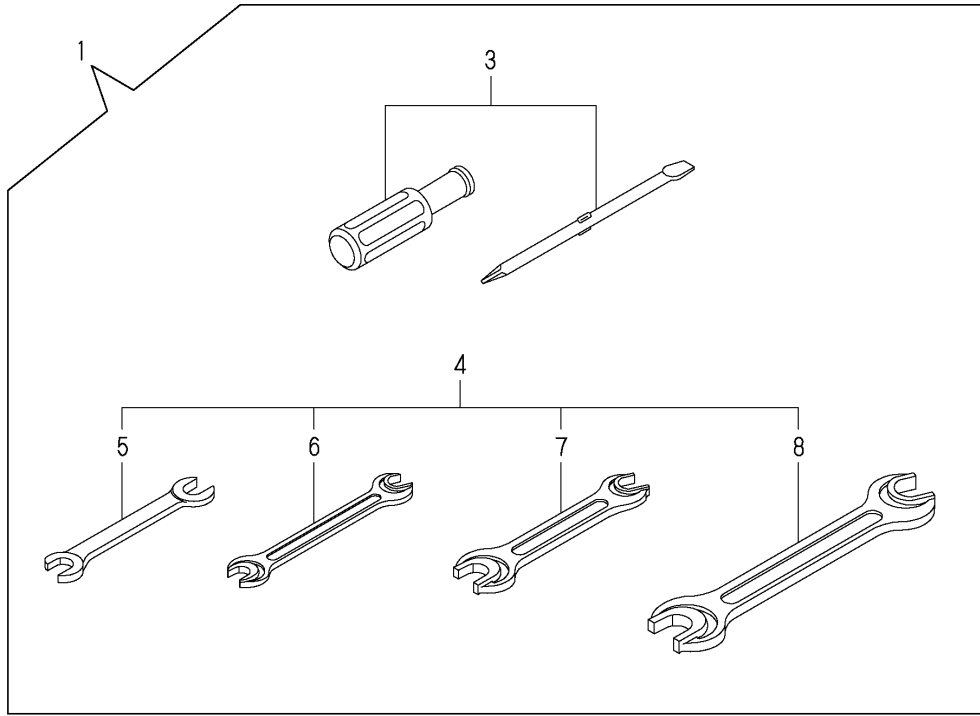
スリットカップリング
SLIT COUPLING



(A)=4JH3E (D)=4JH3-TE
(B)=4JH3CE (E)=4JH3-TCE
(C)=4JH3CE1 (F)=

REF.	LEV.	PARTS NO.	DESCRIPTION	QTY						I	R
				(A)	(B)	(C)	(D)	(E)	(F)		
1	1	26106-100322	BOLT M10X 32 PLATED	4	4	4	4	4			
2	1	26706-100002	NUT M10	4	4	4	4	4			
3	1	26756-080002	LOCK NUT M 8 PLATED	1	1	1	1	1			
4	1	48110-032411	SCREW	1	1	1	1	1			
5	1	129670-85900	COUPLING,TAPER 34	1	1	1					
6	1	48110-034071	COUPLING 34				1	1			
7	1	48110-028063	COUPLING 28, TAPER	1	1	1					
8	1	129473-85900	COUPLING				1	1			
9	1	105583-85900	COUPLING 22	1	1	1					
10	1	129470-85900	COUPLING					1	1		
11	1	26106-100322	BOLT M10X 32 PLATED	4	4	4	4	4			
12	1	26706-100002	NUT M10	4	4	4	4	4			
13	1	104214-83980	COUPLING (20), SLIT	1	1	1					
14	1	129470-83750	COUPLING				1	1			
16	2	26450-120402	BOLT M12X 40				6	6			
17	1	26106-100322	BOLT M10X 32 PLATED	4	4	4	4	4			
18	1	26706-100002	NUT M10	4	4	4	4	4			
19	1	26450-080282	BOLT M 8X 28	4	4	4					
I	20	129670-85910	COUPLING,TAPER 25	1	1	1					Z
		(A=E/#25682)	(B=E/#25682)	(C=E/#25682)							
I	21	48110-028071	COUPLING,TAPER 28	1	1	1					Z
		(A=E/#25682)	(B=E/#25682)	(C=E/#25682)							
I	22	48110-030061	COUPLING	1	1	1					Z
		(A=E/#25682)	(B=E/#25682)	(C=E/#25682)							
I	23	48110-032065	COUPLING 32	1	1	1					Z
		(A=E/#25682)	(B=E/#25682)	(C=E/#25682)							
I	24	48110-034071	COUPLING 34	1	1	1					Z
		(A=E/#25682)	(B=E/#25682)	(C=E/#25682)							
I	25	129473-85900	COUPLING	1	1	1					Z
		(A=E/#25682)	(B=E/#25682)	(C=E/#25682)							
I	26	129470-85900	COUPLING	1	1	1					Z
		(A=E/#25682)	(B=E/#25682)	(C=E/#25682)							
I	27	129470-83750	COUPLING	1	1	1					Z
		(A=E/#25682)	(B=E/#25682)	(C=E/#25682)							
I	28	26106-100252	BOLT M10X 25 PLATED	4	4	4					Z
		(A=E/#25682)	(B=E/#25682)	(C=E/#25682)							

Fig.72.TOOL



(A)=4JH3E (D)=4JH3-TE
(B)=4JH3CE (E)=4JH3-TCE
(C)=4JH3CE1 (F)=

REF.	LEV.	PARTS NO.	DESCRIPTION	QTY						I	R
				(A)	(B)	(C)	(D)	(E)	(F)		
1	1	129270-92100	TOOL BOX SET	1	1	1					
3	2	129270-92650	DRIVER	1	1	1					
4	2	129270-92690	SPANNER SET	1	1	1					
5	3	129270-92610	SPANNER 10X13	1	1	1					
6	3	129270-92620	SPANNER 12X14	1	1	1					
7	3	129270-92630	SPANNER 17X19	1	1	1					
8	3	129270-92640	SPANNER 22X24	1	1	1					
9	1	129470-92300	TOOL ASSY.	1	1	1					
10	2	129470-92310	RETAINER(A,F.I.VALVE)	1	1	1					
11	2	129470-92320	RETAINER(B,F.I.VALVE)	1	1	1					
12	2	26716-120002	NUT 12	1	1	1					