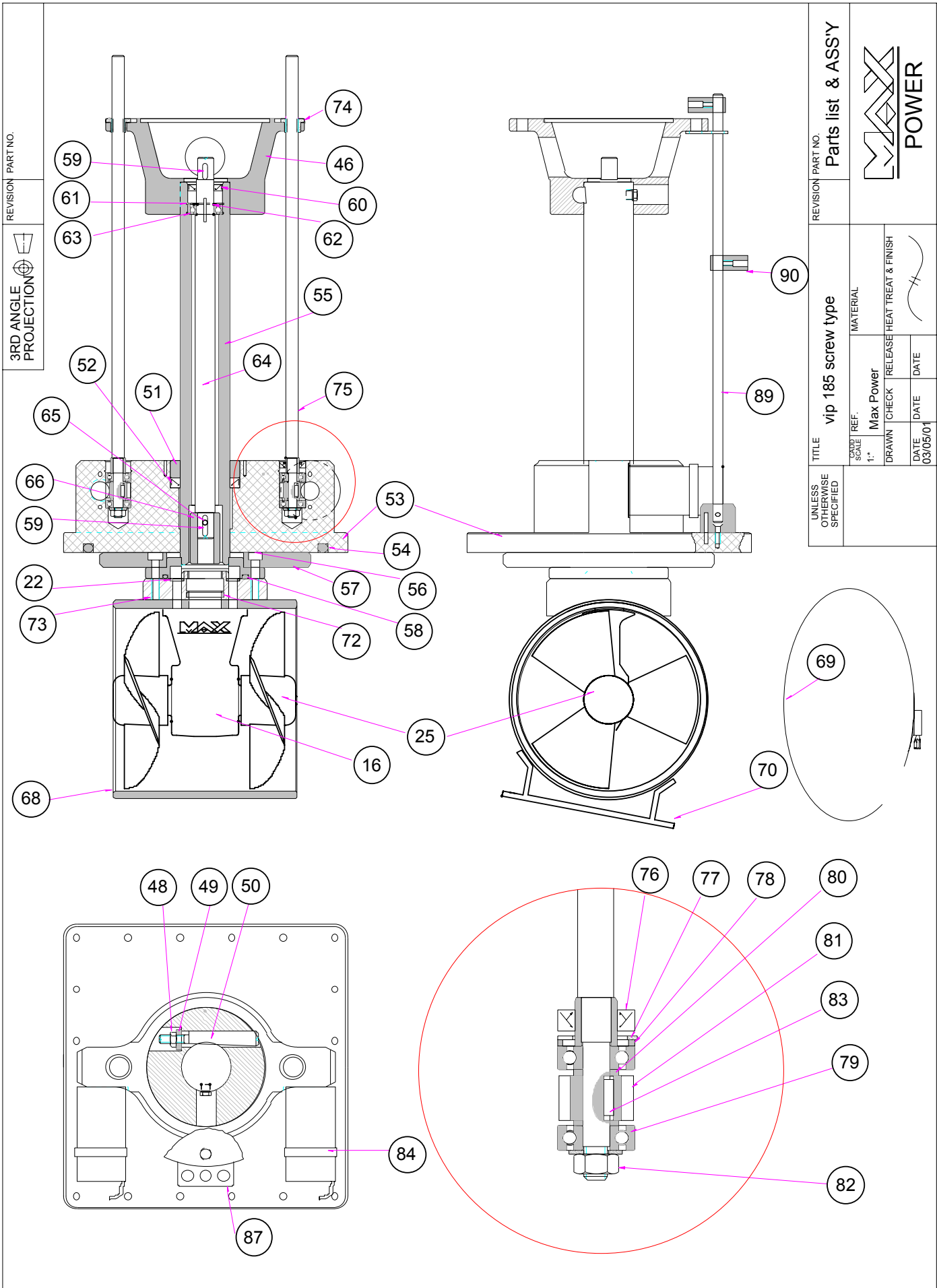


N°	Description	Q	Reference
1	Relay Cover	1	MP082021
2	N/O Heat Sensor	1	
3	Safety Relay 12V	1	OPTI3450
4	Power Relay 12V (complete)	1	MP083053
4	Power Relay 24V (complete)	1	MP083054/2
5	Electric Motor 12V	1	MP083010
5	Electric Motor 24V	1	MP083011
7	Transmission Key	1	MP115010
8	Coupling Motor Side	1	MPOP5140
9	Grub Screw	4	
10	Rubber Coupling	1	MPOP5150
11	Trans. Key Drive Shaft	1	
12	Coupling Drive Leg Side	1	MPOP5130
46	Motor Support	1	VP085340
45	10 mm Nut	5	VP084120
88	Position Switch	2	OPTI3460
91	Wiring Loom	1	VP088050



SPARE PARTS LIST (VIP 150 Electric)

N°	Description	Q	Reference
16	Bronze leg	1	MP088100
22	Leg bolts	2	MPOP5340
25	Propeller	2	MPOP8080
27	Propeller pin	2	MPOP5221
48	Nyloc nut 8mm	1	VPO8 4190
49	Machine washer	1	VPO8 5390
50	Coter pin	1	VPO8 5380
51	Water gland retaining ring	1	VPO8 5400
52	Water gland	1	VPO8 5490
53	Sliding shaft plate	1	VPO8 5330
54	Shaft plate o ring	1	VPO8 5460
55	Sliding shaft	1	VPO8 5310
56	Sliding shaft bolt	2	VPO8 4110
57	Torque transmission plate	1	VPO8 5320
58	Sliding shaft o ring	1	VPO8 5450
59	Shaft key	1	VPO8 5420
60	Drive shaft oil seal	1	VPO8 5480
61	Circlip	1	VPO8 5500
62	Circlip	1	VPO8 5510
63	Shaft bearing	1	VPO8 5470
64	Drive shaft	1	VPO8 5300
65	Grub screw	2	VPO8 4140
68	Propeller housing	1	VP08 2020
69	Tunnel clamp 1.2 M Tunnel clamp 2m	1	VP08 5540 VP08 5545
70	Closing trap support plate	1	VP08 5580
71	BS seal	2	VP08 5430
72	O ring	1	VP08 5440
73	Adapter	1	VP08 5350
74	Drive Nut	2	VP085004
75	Drive Screw + Drive Nut (74) complete	2	VP085002
76	Seal	2	VP085008
77	Circlip	2	VP085003
78	End Float Spacer	2	VP085005
79	Screw Baring	4	VP085001
80	Washer	4	VP085007
81	Wheel	2	VP085000
82	Nut 8 mm	2	
83	Drive Screw Key	2	VP085010
84	Electric Motor 12 v	2	RT203121
84	Electric Motor 24V	2	RT203122
86	Motor Screw 4 mm	4	VP084160
87	Position Switch Holder	1	VP085620
89	Position Detector Rod	1	VP085581
90	Position Detector	2	VP083200